



VN	VIETNAM
----	---------

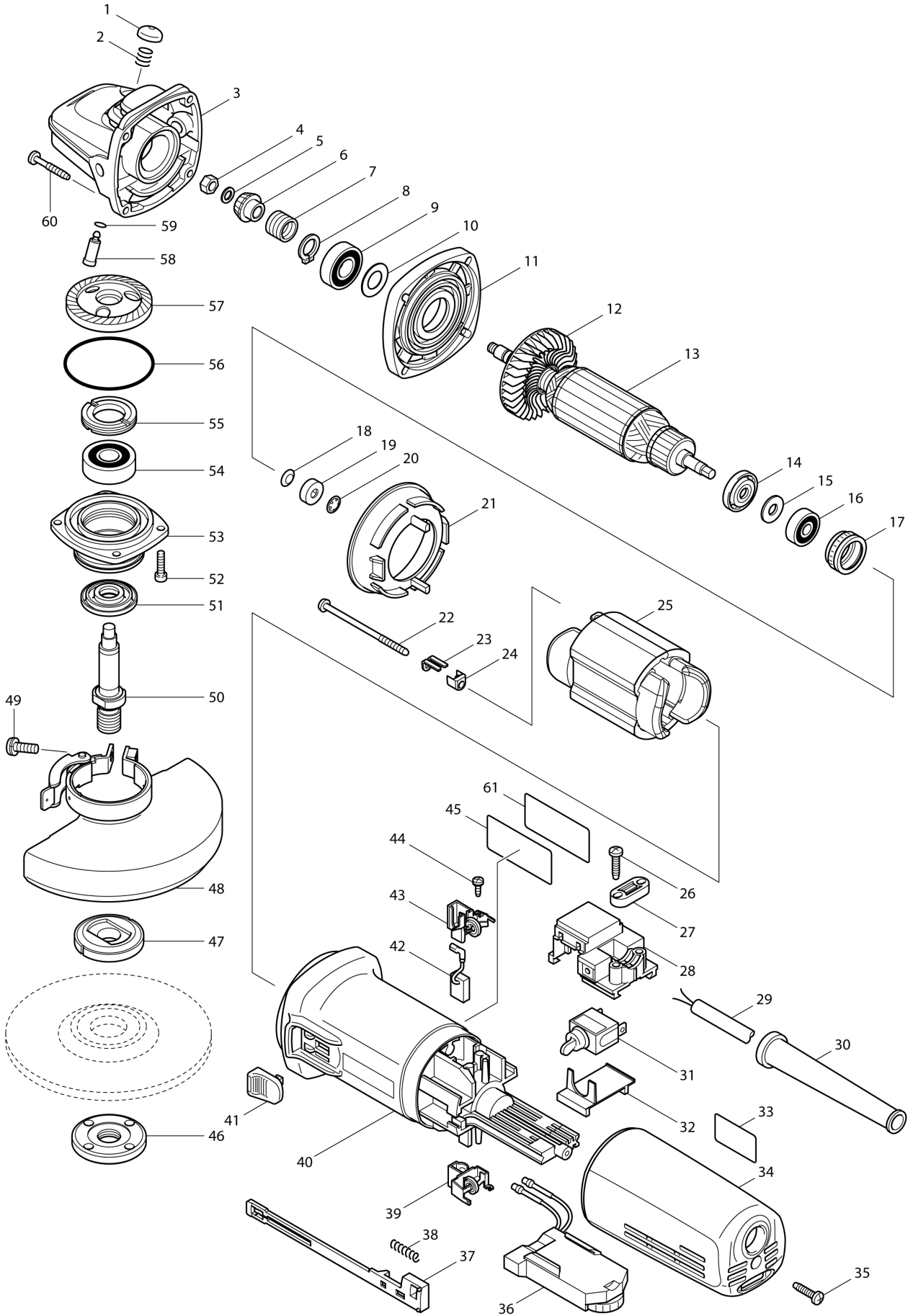
Diagram / Parts List

9565CVR

125MM ANGLE GRINDER



(VN) 9565CVR / 125MM ANGLE GRINDER



VN	VIETNAM
-----------	----------------

9565CVR / 125MM ANGLE GRINDER

Item	Sub	Parts No.	Parts Description	Qty	I/C	E/C No.	Close No.	Remark
001		418067-8	PIN CAP	1				
002		233072-2	COMPRESSION SPRING 8	1				
003		153488-4	GEAR HOUSING COMPLETE	1				
004		931303-0	HEX. NUT M6	1				
005		253077-6	FLAT WASHER 6	1				
006		226794-1	SPIRAL BEVEL GEAR 11	1			A5670	
006-1		227513-8	SPIRAL BEVEL GEAR 11	1	S	A5670		
007		233901-9	LOCK SPRING 12	1				
008		961052-5	RETAINING RING S-12	1				
009		211142-7	BALL BEARING 6001LLB	1				
010		253084-9	FLAT WASHER 12	1				
011		317359-1	GEAR HOUSING COVER	1				
012		240033-5	FAN 57	1				
013		515228-2	ARMATURE ASS'Y 220-240V	1				
	D10		INC. 12,14-16					
014		681656-4	INSULATION WASHER	1			D8716	
014-1		681656-4	INSULATION WASHER	1	O	D8716		
015		253823-7	FLAT WASHER 7	1				
016		210027-4	BALL BEARING 627DDW	1				
017		421738-8	LABYRINTH RUBBER RING 22	1			D9053	
017-1		422750-1	LABYRINTH RUBBER RING 22	1	<	D9053		
018		267756-0	WAVE WASHER 6	1				
019		688117-5	MAGNET SLEEVE	1				
020		259039-2	SELF LOCK 6	1				
021		413076-2	BAFFLE PLATE	1				
022		266258-3	TAPPING SCREW 4X70	2				
023		344871-8	RETAINER	2				
024		417237-6	INSULATION COVER	2				
025		626503-2	FIELD 220-240V	1				
026		265995-6	TAPPING SCREW 4X18	2				
027		687063-9	CORD CLAMP	1				
028		638636-1	SWITCH BLOCK	1				
029		666066-6	POWER SUPPLY CORD 1.0-2-2.5	1				
030		682559-5	CORD GUARD 8	1				
031		651418-4	SWITCH ST115A-40	1				
032		687113-0	COVER	1				
033-1		816504-0	OPERATIONAL INDICATION LABEL	1				
034		417185-9	REAR COVER	1				
035		265995-6	TAPPING SCREW 4X18	1				
036		631847-7	CONTROLLER	1				
037		417186-7	SWITCH LEVER	1				
038		233071-4	COMPRESSION SPRING 4	1				
039		643760-7	BRUSH HOLDER	1				
040		418512-3	MOTOR HOUSING	1				
041		417813-6	SWITCH KNOB	1				
042		194999-0	A.C. CARBON BRUSH SET CB-318	1				
043		643760-7	BRUSH HOLDER	1				
044		266256-7	TAPPING SCREW PT3X10	4				
045		866168-0	9565CVR NAME PLATE	1		A1179		
046		224554-5	LOCK NUT 14-45	1				
047		224415-9	INNER FLANGE 42	1				
048		135108-2	TOOLLESS WHEEL COVER 125 ASS'Y	1				
	D10		INC. 49					
049		251391-4	PAN HEAD SCREW M5X16	1				
050		324035-0	SPINDLE	1				
051		415300-9	LABYRINTH RING	1				
052		265490-6	HEX. SOCKET HEAD BOLT M4X16	4				
053		318302-3	BEARING BOX	1				
054		211129-9	BALL BEARING 6201DDW	1				
055		285841-7	BEARING RETAINER	1				
056		213673-2	O RING 52	1				
057		226795-9	SPIRAL BEVEL GEAR 38	1			A5670	
057-1		227514-6	SPIRAL BEVEL GEAR 38	1	S	A5670		
058		256459-1	PIN	1				
059		213048-5	O RING 6	1				

Interchange
O : Yes
X : No
< : the new part can be substituted for the current.
> : the current part can be substituted for the new.
S : Interchangeable as a set.

