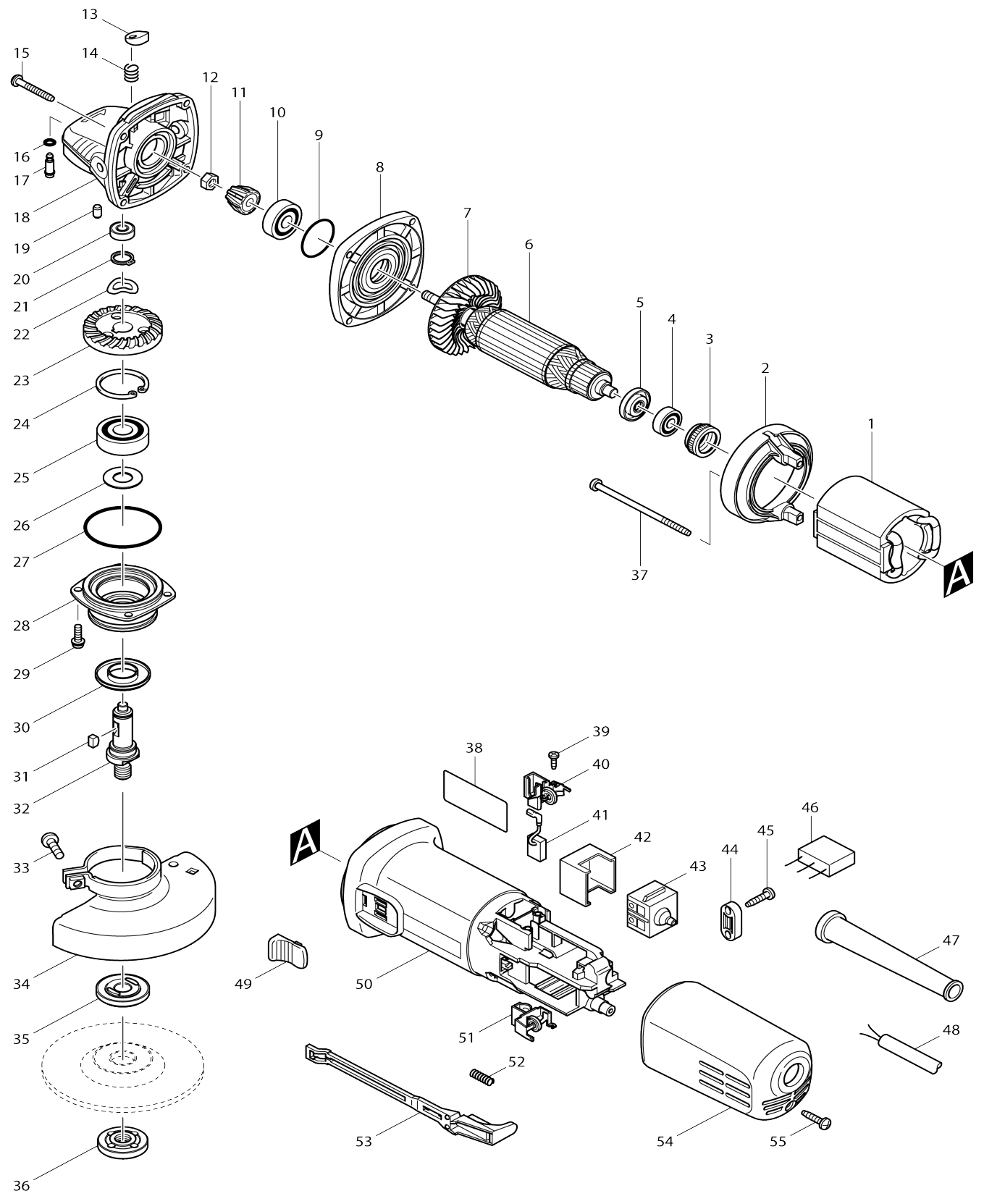


Model No.9556HN 100MM ANGLE GRINDER



Model No.9556HN 100MM ANGLE GRINDER

| Item No. | Parts No. | Description | Interchangeability | Q'ty | New/Old | Sales Price (VND) | Purchase Price(VND) | Note1 | Note2 |
|----------|-----------|---------------------------|--------------------|------|---------|-------------------|---------------------|-------|-------|
| 001 | 621708-9 | FIELD 220-240V | | 1 | | | | | |
| 002 | 418770-1 | BAFFLE PLATE | | 1 | * | | | | |
| 002-1 | 457791-8 | BAFFLE PLATE | < | 1 | | | | | |
| 003 | 421868-5 | LABYRINTH RUBBER RING 19 | | 1 | * | | | | |
| 003-1 | 422768-2 | LABYRINTH RUBBER RING19 | < | 1 | | | | | |
| 004 | 210034-7 | BALL BEARING 607LLB | | 1 | | | | | |
| 005 | 681636-0 | INSULATION WASHER | | 1 | | | | | |
| 006 | 515613-9 | ARMATURE ASS'Y 220-240V | | 1 | | | | | |
| 006 | | INC. 4,5,7 | | | | | | | |
| 007 | 240076-7 | FAN 56 | | 1 | | | | | |
| 008 | 317821-6 | GEAR HOUSING COVER | | 1 | | | | | |
| 009 | 213445-5 | O-RING 26 | | 1 | | | | | |
| 010 | 210042-8 | BALL BEARING 629LLB | | 1 | | | | | |
| 011 | 227541-3 | SPIRAL BEVEL GEAR 10 | | 1 | | | | | |
| 012 | 252186-8 | HEX. NUT M6 | | 1 | | | | | |
| 013 | 417771-6 | PIN CAP | | 1 | | | | | |
| 014 | 233376-2 | COMPRESSION SPRING 8 | | 1 | | | | | |
| 015 | 266361-0 | TAPPING SCREW 4X30 | | 4 | * | | | | |
| 015-1 | 265654-2 | TAPPING SCREW 4X30 | O | 4 | | | | | |
| 016 | 213960-9 | O RING 5 | | 1 | | | | | |
| 017 | 256486-8 | SHOULDER PIN 4 | | 1 | | | | | |
| 018 | 317814-3 | GEAR HOUSING | | 1 | * | | | | |
| 018-1 | 318051-2 | GEAR HOUSING | O | 1 | | | | | |
| 019 | 263002-9 | RUBBER PIN 4 | | 1 | | | | | |
| 020 | 210033-9 | BALL BEARING 696ZZ | | 1 | | | | | |
| 021 | 961052-5 | RETAINING RING (EXT) S-12 | | 1 | * | | | | |
| 021-1 | 233950-6 | RING SPRING 11 | S | 1 | | | | | |
| 022 | 267794-2 | WAVE WASHER 12 | | 1 | * | | | | |
| 023 | 227542-1 | SPIRAL BEVEL GEAR 37 | | 1 | * | | | | |
| 023-1 | 227B90-2 | SPIRAL BEVEL GEAR 37 | S | 1 | | | | | |
| 024 | 962151-6 | RETAINING RING R-32 | | 1 | | | | | |
| 025 | 211129-9 | BALL BEARING 6201DDW | | 1 | | | | | |
| 026 | 267238-2 | FLAT WASHER 12 | | 1 | | | | | |
| 027 | 213622-9 | O RING 45 | | 1 | | | | | |
| 028 | 317819-3 | BEARING BOX | | 1 | | | | | |
| 029 | 265099-4 | PAN HEAD SCREW M4X14 | | 4 | | | | | |
| 030 | 345464-4 | LABYRINTH RING | | 1 | | | | | |
| 031 | 254011-9 | WOODRUFF KEY 4 | | 1 | * | | | | |
| 032 | 324488-3 | SPINDLE | | 1 | * | | | | |
| 032-1 | 324956-6 | SPINDLE | S | 1 | | | | | |
| 033 | 265103-9 | PAN HEAD SCREW M5X14 | | 1 | | | | | |
| 034 | 125266-2 | WHEEL COVER 100 ASSEMBLY | | 1 | * | | | | |
| 034 | | INC. 33 | | | * | | | | |
| 034-1 | 125266-2 | WHEEL COVER 100 ASSEMBLY | O | 1 | | | | | |
| 034-1 | | INC. 33 | | | | | | | |
| 035 | 224314-5 | INNER FLANGE 30 | | 1 | * | | | | |
| 035-1 | 224491-3 | INNER FLANGE 29 | O | 1 | | | | | |

| | | | | | | | | |
|-------|----------|------------------------------|---|---|---|--|--|--|
| 036 | 224559-5 | LOCK NUT 10-30 | | 1 | * | | | |
| 036-1 | 224610-1 | LOCK NUT 10-29 | O | 1 | | | | |
| 037 | 266345-8 | TAPPING SCREW 4X80 | | 2 | * | | | |
| 037-1 | 265A28-3 | TAPPING SCREW 4X80 | O | 2 | | | | |
| 038 | 865806-1 | 9556HN NAME PLATE | | 1 | | | | |
| 039 | 266007-8 | TAPPING SCREW BIND PT 3X10 | | 4 | | | | |
| 040 | 643760-7 | BRUSH HOLDER | | 1 | | | | |
| 041 | 194074-2 | CARBON BRUSH CB-325 | | 1 | * | | | |
| 041-1 | 195001-2 | CARBON BRUSH SET CB-325 | < | 1 | * | | | |
| 041-2 | 194074-2 | CARBON BRUSH CB-325 | O | 1 | | | | |
| 042 | 418729-8 | SPACER | | 1 | | | | |
| 043 | 650560-8 | SWITCH DPX-2110-R | | 1 | * | | | |
| 043-1 | 651947-7 | SWITCH 1247.0302 | O | 1 | * | | | |
| 043-2 | 650621-4 | SWITCH PS10 | O | 1 | | | | |
| 044 | 687053-2 | STRAIN RELIEF | | 1 | * | | | |
| 044-1 | 687140-7 | STRAIN RELIEF | O | 1 | | | | |
| 045 | 266326-2 | TAPPING SCREW 4X18 | | 2 | * | | | |
| 045-1 | 265652-6 | TAPPING SCREW 4X18 | O | 2 | | | | |
| 047 | 682566-8 | CORD GUARD 10 | | 1 | | | | |
| 048 | 691015-4 | POWER SUPPLY CORD 0.75-2-2.5 | | 1 | | | | |
| 049 | 419566-3 | SWITCH KNOB | | 1 | | | | |
| 050 | 418725-6 | MOTOR HOUSING | | 1 | | | | |
| 051 | 643760-7 | BRUSH HOLDER | | 1 | | | | |
| 052 | 233121-5 | COMPRESSION SPRING 4 | | 1 | | | | |
| 053 | 418728-0 | SWITCH LEVER B | | 1 | | | | |
| 054 | 418726-4 | REAR COVER | | 1 | * | | | |
| 054-1 | 413A32-8 | REAR COVER | < | 1 | | | | |
| 055 | 266326-2 | TAPPING SCREW 4X18 | | 1 | * | | | |
| 055-1 | 265652-6 | TAPPING SCREW 4X18 | O | 1 | | | | |
| 056 | 819329-1 | CLEAR LABEL | | 1 | * | | | |
| 056-1 | 892295-7 | CLEAR LABEL | < | 1 | * | | | |
| 056-2 | 816X01-0 | CLEAR LABEL | O | 1 | | | | |
| A01 | 153489-2 | GRIP 36 COMPLETE | | 1 | | | | |
| A02 | 782420-7 | LOCK NUT WRENCH 20 | | 1 | | | | |
| A04 | A-80852 | GRINDING WHEEL 100X6X16 | | 1 | | | | |
| F08-1 | 198413-8 | DUST COLLECTING W/C 100C SET | < | 1 | | | | |
| C11 | 347206-2 | BAND C | < | 1 | | | | |
| F24 | 191V54-1 | CUTTING W.C.A. 100 SET | | 1 | | | | |

Please state Parts No. when your order.

Print Date 22/10/2024