



| | |
|----|---------|
| VN | VIETNAM |
|----|---------|

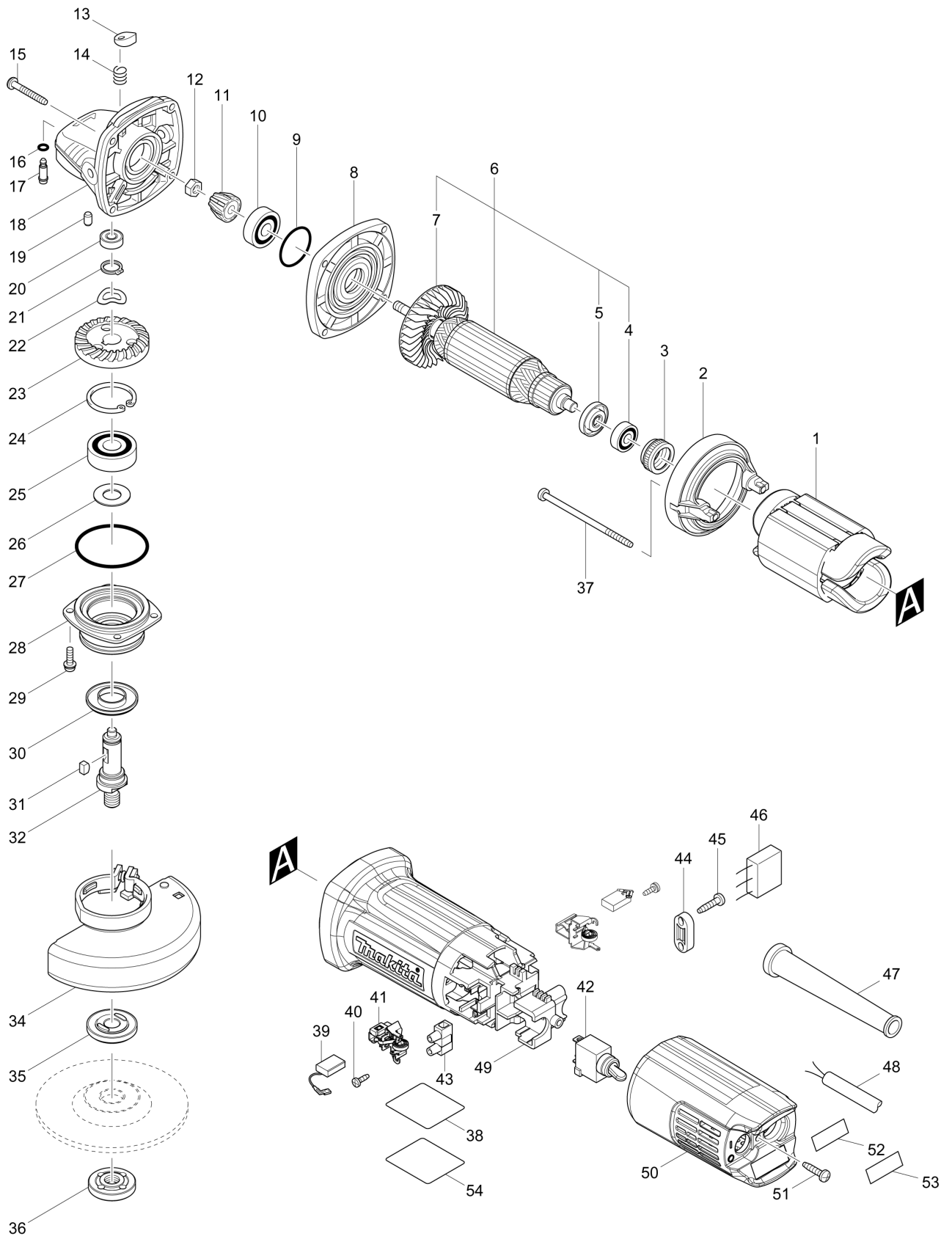
Diagram / Parts List

9556HB

100MM ANGLE GRINDER



(VN) 9556HB / 100MM ANGLE GRINDER



| | |
|-----------|----------------|
| VN | VIETNAM |
|-----------|----------------|

9556HB / 100MM ANGLE GRINDER

| Item | Sub | Parts No. | Parts Description | Qty | I/C | E/C No. | Close No. | Remark |
|-------|-----|-----------|------------------------------|-----|-----|---------|-----------|--------|
| 001 | | 621823-9 | FIELD 220-240V | 1 | | | | |
| 002 | | 418770-1 | BAFFLE PLATE | 1 | | | B9212 | |
| 002-1 | | 457791-8 | BAFFLE PLATE | 1 | < | B9212 | | |
| 003 | | 421868-5 | LABYRINTH RUBBER RING 19 | 1 | | | | |
| 004 | | 210034-7 | BALL BEARING 607LLB | 1 | | | | |
| 005 | | 681636-0 | INSULATION WASHER | 1 | | | | |
| 006 | | 515613-9 | ARMATURE ASS'Y 220-240V | 1 | | | | |
| | D10 | | INC. 4,5,7 | | | | | |
| 007 | | 240076-7 | FAN 56 | 1 | | | | |
| 008 | | 317821-6 | GEAR HOUSING COVER | 1 | | | | |
| 009 | | 213445-5 | O-RING 26 | 1 | | | | |
| 010 | | 210042-8 | BALL BEARING 629LLB | 1 | | | | |
| 011 | | 227541-3 | SPIRAL BEVEL GEAR 10 | 1 | | | | |
| 012 | | 252186-8 | HEX. NUT M6 | 1 | | | | |
| 013 | | 417771-6 | PIN CAP | 1 | | | | |
| 014 | | 233376-2 | COMPRESSION SPRING 8 | 1 | | | | |
| 015 | | 266361-0 | TAPPING SCREW 4X30 | 4 | | | C0991 | |
| 015-1 | | 265654-2 | TAPPING SCREW 4X30 | 4 | O | C0991 | | |
| 016 | | 213960-9 | O RING 5 | 1 | | | | |
| 017 | | 256486-8 | SHOULDER PIN 4 | 1 | | | | |
| 018 | | 317814-3 | GEAR HOUSING | 1 | | | C7917 | |
| 018-1 | | 318051-2 | GEAR HOUSING | 1 | O | C7917 | | |
| 019 | | 263002-9 | RUBBER PIN 4 | 1 | | | | |
| 020 | | 210033-9 | BALL BEARING 696ZZ | 1 | | | | |
| 021 | | 961052-5 | RETAINING RING S-12 | 1 | | | | |
| 022 | | 267794-2 | WAVE WASHER 12 | 1 | | | | |
| 023 | | 227542-1 | SPIRAL BEVEL GEAR 37 | 1 | | | | |
| 024 | | 962151-6 | RETAINING RING R-32 | 1 | | | | |
| 025 | | 211129-9 | BALL BEARING 6201DDW | 1 | | | | |
| 026 | | 267238-2 | FLAT WASHER 12 | 1 | | | | |
| 027 | | 213622-9 | O RING 45 | 1 | | | | |
| 028 | | 318331-6 | BEARING BOX | 1 | | | | |
| 029 | | 265099-4 | PAN HEAD SCREW M4X14 | 4 | | | | |
| 030 | | 345464-4 | LABYRINTH RING | 1 | | | | |
| 031 | | 254011-9 | WOODRUFF KEY 4 | 1 | | | | |
| 032 | | 324488-3 | SPINDLE | 1 | | | | |
| 034 | | 125885-4 | WHEEL COVER 100AK ASS'Y | 1 | | | | |
| | C10 | 213009-5 | O RING 4 | 1 | | | | |
| | C20 | 265180-1 | PAN HEAD SCREW M5X16 | 1 | | | | |
| 035 | | 224314-5 | INNER FLANGE 30 | 1 | | | | |
| 036 | | 224559-5 | LOCK NUT 10-30 | 1 | | | | |
| 037 | | 266345-8 | TAPPING SCREW 4X80 | 2 | | | C8288 | |
| 037-1 | | 265A28-3 | TAPPING SCREW 4X80 | 2 | O | C8288 | | |
| 038 | | 852U48-2 | 9556HB NAME PLATE | 1 | | | | |
| 039 | | 195002-0 | CARBON BRUSH SET CB-325/329 | 1 | | | | |
| 040 | | 266007-8 | TAPPING SCREW BIND PT 3X10 | 4 | | | | |
| 041 | | 643516-8 | BRUSH HOLDER | 2 | | | | |
| 042 | | 651427-3 | SWITCH STL115ADT-D | 1 | | | C2203 | |
| 042-1 | | 651065-1 | SWITCH ST115A-TB-S2 | 1 | O | C2203 | | |
| 043 | | 654532-5 | TERMINAL BLOCK 1P | 1 | | | | |
| 044 | | 687140-7 | STRAIN RELIEF | 1 | | | | |
| 045 | | 266326-2 | TAPPING SCREW 4X18 | 2 | | | C0991 | |
| 045-1 | | 265652-6 | TAPPING SCREW 4X18 | 2 | O | C0991 | | |
| 047 | | 682566-8 | CORD GUARD 10 | 1 | | | | |
| 048 | | 691015-4 | POWER SUPPLY CORD 0.75-2-2.5 | 1 | | | | |
| 049 | | 457158-0 | MOTOR HOUSING | 1 | | | | |
| 050 | | 457204-9 | REAR COVER | 1 | | | | |
| 051 | | 266326-2 | TAPPING SCREW 4X18 | 1 | | | C0991 | |
| 051-1 | | 265652-6 | TAPPING SCREW 4X18 | 1 | O | C0991 | | |
| 052 | | 852U51-3 | 9556HB SERIAL NO. LABEL | 1 | | | | |
| 053 | | 807G78-4 | CLEAR LABEL | 1 | | | Z36808 | |
| 053-1 | | 816X03-6 | CLEAR LABEL | 1 | O | Z36808 | | |
| 054 | | 893039-8 | CLEAR LABEL | 1 | | | Z36808 | |
| 054-1 | | 816X04-4 | CLEAR LABEL | 1 | O | Z36808 | | |
| A01 | | A-80852 | GRINDING WHEEL 100X6X16 | 1 | | | | |

Interchange
O : Yes
X : No
< : the new part can be substituted for the current.
> : the current part can be substituted for the new.
S : Interchangeable as a set.

