



VN	VIETNAM
----	---------

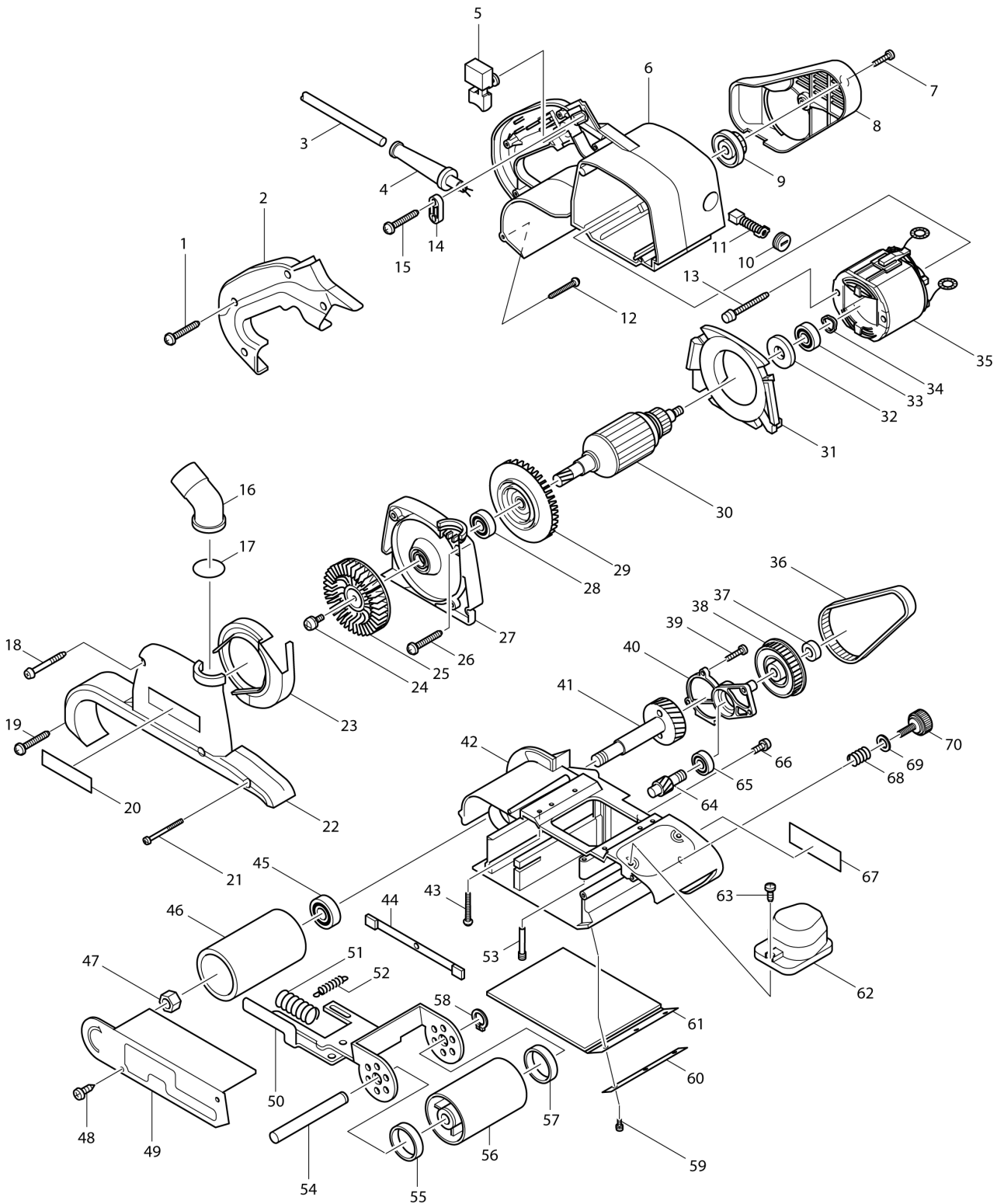
# Diagram / Parts List

**9403**

**BELT SANDER 100MM**



(VN) 9403 / BELT SANDER 100MM



<b>VN</b>	<b>VIETNAM</b>
-----------	----------------

### 9403 / BELT SANDER 100MM

Item	Sub	Parts No.	Parts Description	Qty	I/C	E/C No.	Close No.	Remark
001		265995-6	TAPPING SCREW 4X18	4				
002		416496-9	HANDLE COVER	1				
003M		691025-1	POWER SUPPLY CORD 0.75-2-5.0	1				
004		682505-8	CORD GUARD 10-90	1				
005		651284-9	SWITCH SGEL115CDY-6	1				
006		150981-9	MOTOR HOUSING COMPLETE	1				
	C10	643708-9	BRUSH HOLDER 5-11	2				
007		266034-5	TAPPING SCREW CT 4X16	1				
008		416495-1	BELT COVER	1				
009		222147-2	PULLEY 10-24.1	1				
010		643750-0	BRUSH HOLDER CAP 7-11	2			B4206	
010-1		643515-0	HOLDER CAP 7-11	2	O	B4206		
011		191963-2	CARBON BRUSH CB-303	1			85070	
011-1		B-80379	CARBON BRUSH SET CB-303A	1	<	85070		
012		265995-6	TAPPING SCREW 4X18	1				
013		266056-5	TAPPING SCREW 5X45	2				
014A		687053-2	STRAIN RELIEF	1				
015		265995-6	TAPPING SCREW 4X18	2				
016		416497-7	DUST NOZZLE	1				
017		213415-4	O RING 28	1				
018		266069-6	TAPPING SCREW 4X45	2				
019		265995-6	TAPPING SCREW 4X18	1				
020		819064-1	MAKITA MARK	1				
021		266203-8	TAPPING SCREW BIND CT 4X40	1				
022		317018-7	DUST COLLECTOR COVER	1				
023		416494-3	SEPARATOR	1				
024		911213-7	PAN HEAD SCREW M5X12	1				
025		241662-7	FAN 80	1				
026		265995-6	TAPPING SCREW 4X18	2				
027		317021-8	DUST COLLECTOR BRACKET	1				
028		211088-7	BALL BEARING 6000DDW	1				
029		240013-1	FAN 84	1				
030B		516783-7	ARMATURE ASS'Y 220-240V	1				
	D10		INC. 28,29,32,33					
031		416498-5	BAFFLE PLATE	1				
032		681649-1	INSULATION WASHER	1				
033		211088-7	BALL BEARING 6000DDW	1				
034		253946-1	WAVE WASHER 18	1				
034-1		267715-4	WAVE WASHER 20	1	O	60135		
035B		596193-4	FIELD ASS'Y 220-240V	1				
	C10	654020-2	RING TERMINAL	2				
	C20	654502-4	CONNECTOR P-2	2				
036		225081-5	SYNCHRO BELT	1				
037		931503-2	HEX. NUT M10	1				
038		222148-0	PULLEY 11-55.6	1				
039		266034-5	TAPPING SCREW CT 4X16	3				
040		317020-0	GEAR COVER	1				
041		153265-4	HELICAL GEAR 43 COMPLETE	1			64010	
041-1		153291-3	HELICAL GEAR 43 COMPLETE	1	S	64010		
042		150979-6	FRAME COMPLETE	1				
043		265995-6	TAPPING SCREW 4X18	4				
044		150846-5	EDGE SLIDER COMPLETE	1				
045		211131-2	BALL BEARING 6001DDW	1				
046		162199-0	DRIVING ROLLER	1				
047		252087-0	HEX. NUT M12-19	1				
048		266026-4	TAPPING SCREW BIND CT 4X12	2				
049		344622-9	SAFETY COVER	1				
050		163398-7	TENSION ROLLER ARM	1				
051		233235-0	COMPRESSION SPRING 12	1				
052		231819-8	TENSION SPRING 4	1				
053		321980-0	SUPPORT PIN	1				
054		323829-0	TENSION ROLLER SHAFT	1				
055		253922-5	CUP WASHER 12	1				
056		150978-8	TENSION ROLLER COMPLETE	1				
	C10	214116-7	PLANE BEARING 12	2				

Interchange  
O : Yes  
X : No  
< : the new part can be substituted for the current.  
> : the current part can be substituted for the new.  
S : Interchangeable as a set.

