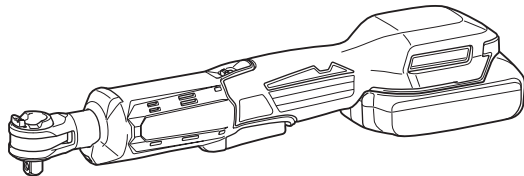




EN	Cordless Ratchet Wrench	INSTRUCTION MANUAL	4
ZHCN	充电式棘轮扳手	使用说明书	10
ID	Kunci Ratchet Tanpa Kabel	PETUNJUK PENGGUNAAN	17
MS	Perengkuh Sehala Tanpa Kord	MANUAL ARAHAN	24
VI	Máy Siết Bu Lông Xuyên Tâm Cầm Tay Hoạt Động Bằng Pin	TÀI LIỆU HƯỚNG DẪN	31
TH	ประแจแฉกไร้สาย	คู่มือการใช้งาน	38

DWR180



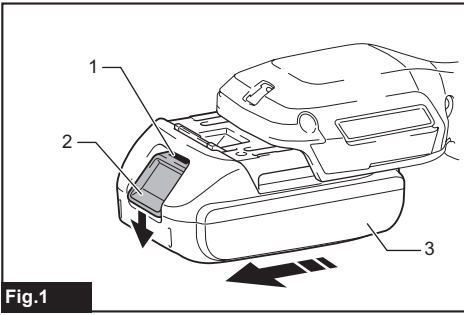


Fig.1

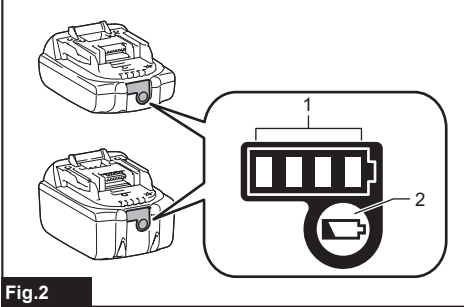


Fig.2

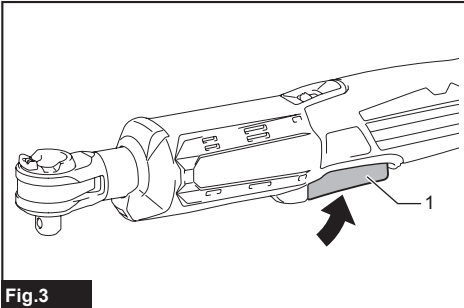


Fig.3

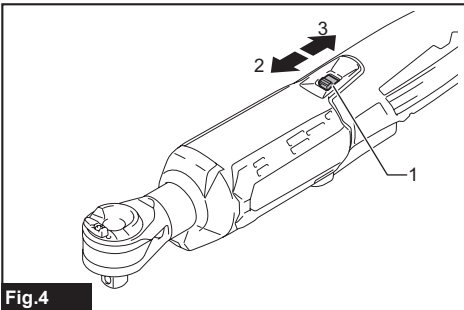


Fig.4

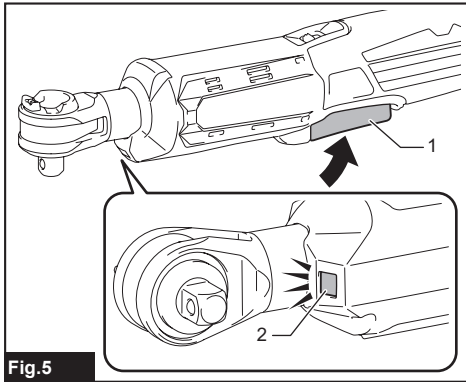


Fig.5

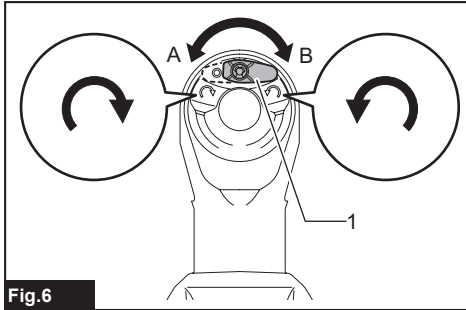


Fig.6

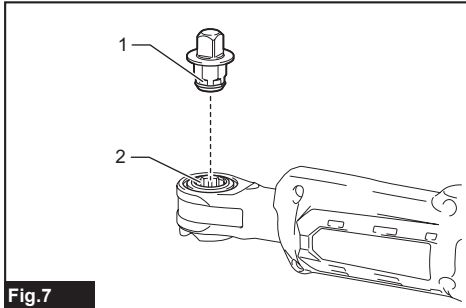


Fig.7

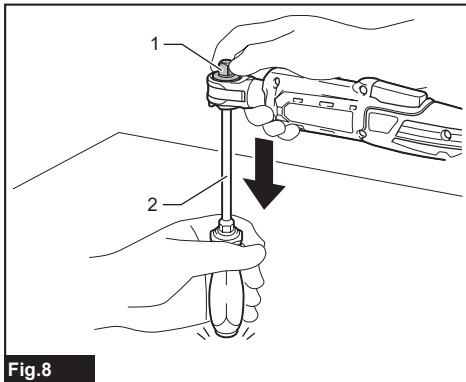


Fig.8

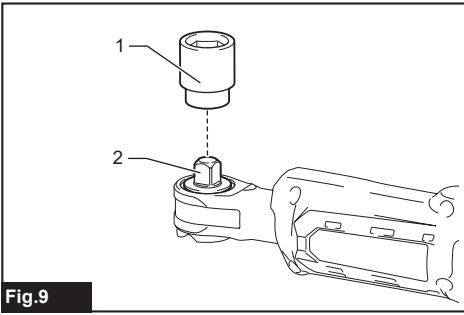


Fig.9

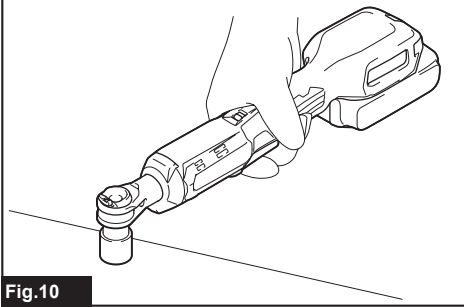


Fig.10

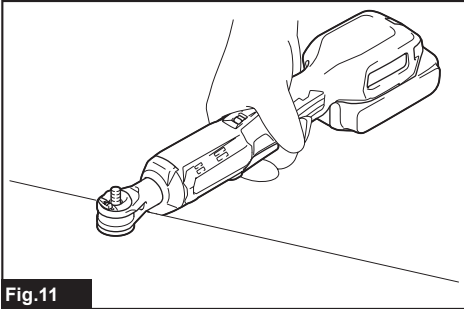


Fig.11

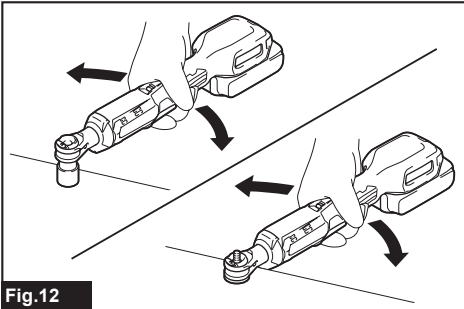


Fig.12

SPECIFICATIONS

Model:		DWR180
Fastening capacities (with manual retightening)	Standard bolt	M5 - M12
	High tensile bolt	M5 - M10
Square drive		6.35 mm, 9.5 mm
No load speed		0 - 800 min ⁻¹
Maximum fastening torque		47.5 N•m
Overall length		369 mm
Rated voltage		D.C. 18 V
Net weight		1.2 - 1.6 kg

- Due to our continuing program of research and development, the specifications herein are subject to change without notice.
- Specifications and battery cartridge may differ from country to country.
- The weight may differ depending on the attachment(s), including the battery cartridge. The lightest and heaviest combinations, according to EPTA-Procedure 01/2014, are shown in the table.

Applicable battery cartridge and charger

Battery cartridge	BL1815N / BL1820B / BL1830B / BL1840B / BL1850B / BL1860B
Charger	DC18RC / DC18RD / DC18RE / DC18SD / DC18SE / DC18SF / DC18SH

- Some of the battery cartridges and chargers listed above may not be available depending on your region of residence.

⚠ WARNING: Only use the battery cartridges and chargers listed above. Use of any other battery cartridges and chargers may cause injury and/or fire.

Symbols

The followings show the symbols which may be used for the equipment. Be sure that you understand their meaning before use.



Read instruction manual.



Only for EU countries
Do not dispose of electric equipment or battery pack together with household waste material!

In observance of the European Directives, on Waste Electric and Electronic Equipment and Batteries and Accumulators and Waste Batteries and Accumulators and their implementation in accordance with national laws, electric equipment and batteries and battery pack(s) that have reached the end of their life must be collected separately and returned to an environmentally compatible recycling facility.

Intended use

The tool is intended for fastening bolts and nuts.

SAFETY WARNINGS

General power tool safety warnings

⚠ WARNING: Read all safety warnings, instructions, illustrations and specifications provided with this power tool. Failure to follow all instructions listed below may result in electric shock, fire and/or serious injury.

Save all warnings and instructions for future reference.

The term "power tool" in the warnings refers to your mains-operated (corded) power tool or battery-operated (cordless) power tool.

Work area safety

1. **Keep work area clean and well lit.** Cluttered or dark areas invite accidents.
2. **Do not operate power tools in explosive atmospheres, such as in the presence of flammable liquids, gases or dust.** Power tools create sparks which may ignite the dust or fumes.
3. **Keep children and bystanders away while operating a power tool.** Distractions can cause you to lose control.

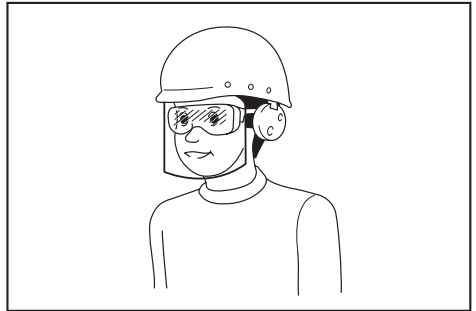
Electrical safety

1. **Power tool plugs must match the outlet. Never modify the plug in any way. Do not use any adapter plugs with earthed (grounded) power tools.** Unmodified plugs and matching outlets will reduce risk of electric shock.
2. **Avoid body contact with earthed or grounded surfaces, such as pipes, radiators, ranges and refrigerators.** There is an increased risk of electric shock if your body is earthed or grounded.
3. **Do not expose power tools to rain or wet conditions.** Water entering a power tool will increase the risk of electric shock.
4. **Do not abuse the cord. Never use the cord for carrying, pulling or unplugging the power tool. Keep cord away from heat, oil, sharp edges or moving parts.** Damaged or entangled cords increase the risk of electric shock.
5. **When operating a power tool outdoors, use an extension cord suitable for outdoor use.** Use of a cord suitable for outdoor use reduces the risk of electric shock.
6. **If operating a power tool in a damp location is unavoidable, use a residual current device (RCD) protected supply.** Use of an RCD reduces the risk of electric shock.
7. **Power tools can produce electromagnetic fields (EMF) that are not harmful to the user.**
However, users of pacemakers and other similar medical devices should contact the maker of their device and/or doctor for advice before operating this power tool.

Personal safety

1. **Stay alert, watch what you are doing and use common sense when operating a power tool. Do not use a power tool while you are tired or under the influence of drugs, alcohol or medication.** A moment of inattention while operating power tools may result in serious personal injury.
2. **Use personal protective equipment. Always wear eye protection.** Protective equipment such as a dust mask, non-skid safety shoes, hard hat or hearing protection used for appropriate conditions will reduce personal injuries.
3. **Prevent unintentional starting. Ensure the switch is in the off-position before connecting to power source and/or battery pack, picking up or carrying the tool.** Carrying power tools with your finger on the switch or energising power tools that have the switch on invites accidents.
4. **Remove any adjusting key or wrench before turning the power tool on.** A wrench or a key left attached to a rotating part of the power tool may result in personal injury.
5. **Do not overreach. Keep proper footing and balance at all times.** This enables better control of the power tool in unexpected situations.
6. **Dress properly. Do not wear loose clothing or jewellery. Keep your hair and clothing away from moving parts.** Loose clothes, jewellery or long hair can be caught in moving parts.

7. **If devices are provided for the connection of dust extraction and collection facilities, ensure these are connected and properly used.** Use of dust collection can reduce dust-related hazards.
8. **Do not let familiarity gained from frequent use of tools allow you to become complacent and ignore tool safety principles.** A careless action can cause severe injury within a fraction of a second.
9. **Always wear protective goggles to protect your eyes from injury when using power tools. The goggles must comply with ANSI Z87.1 in the USA, EN 166 in Europe, or AS/NZS 1336 in Australia/New Zealand. In Australia/New Zealand, it is legally required to wear a face shield to protect your face, too.**



It is an employer's responsibility to enforce the use of appropriate safety protective equipments by the tool operators and by other persons in the immediate working area.

Power tool use and care

1. **Do not force the power tool. Use the correct power tool for your application.** The correct power tool will do the job better and safer at the rate for which it was designed.
2. **Do not use the power tool if the switch does not turn it on and off.** Any power tool that cannot be controlled with the switch is dangerous and must be repaired.
3. **Disconnect the plug from the power source and/or remove the battery pack, if detachable, from the power tool before making any adjustments, changing accessories, or storing power tools.** Such preventive safety measures reduce the risk of starting the power tool accidentally.
4. **Store idle power tools out of the reach of children and do not allow persons unfamiliar with the power tool or these instructions to operate the power tool.** Power tools are dangerous in the hands of untrained users.
5. **Maintain power tools and accessories. Check for misalignment or binding of moving parts, breakage of parts and any other condition that may affect the power tool's operation. If damaged, have the power tool repaired before use.** Many accidents are caused by poorly maintained power tools.
6. **Keep cutting tools sharp and clean.** Properly maintained cutting tools with sharp cutting edges are less likely to bind and are easier to control.

7. **Use the power tool, accessories and tool bits etc. in accordance with these instructions, taking into account the working conditions and the work to be performed.** Use of the power tool for operations different from those intended could result in a hazardous situation.
8. **Keep handles and grasping surfaces dry, clean and free from oil and grease.** Slippery handles and grasping surfaces do not allow for safe handling and control of the tool in unexpected situations.
9. **When using the tool, do not wear cloth work gloves which may be entangled.** The entanglement of cloth work gloves in the moving parts may result in personal injury.

Battery tool use and care

1. **Recharge only with the charger specified by the manufacturer.** A charger that is suitable for one type of battery pack may create a risk of fire when used with another battery pack.
2. **Use power tools only with specifically designated battery packs.** Use of any other battery packs may create a risk of injury and fire.
3. **When battery pack is not in use, keep it away from other metal objects, like paper clips, coins, keys, nails, screws or other small metal objects, that can make a connection from one terminal to another.** Shorting the battery terminals together may cause burns or a fire.
4. **Under abusive conditions, liquid may be ejected from the battery; avoid contact. If contact accidentally occurs, flush with water. If liquid contacts eyes, additionally seek medical help.** Liquid ejected from the battery may cause irritation or burns.
5. **Do not use a battery pack or tool that is damaged or modified.** Damaged or modified batteries may exhibit unpredictable behaviour resulting in fire, explosion or risk of injury.
6. **Do not expose a battery pack or tool to fire or excessive temperature.** Exposure to fire or temperature above 130 °C may cause explosion.
7. **Follow all charging instructions and do not charge the battery pack or tool outside the temperature range specified in the instructions.** Charging improperly or at temperatures outside the specified range may damage the battery and increase the risk of fire.

Service

1. **Have your power tool serviced by a qualified repair person using only identical replacement parts.** This will ensure that the safety of the power tool is maintained.
2. **Never service damaged battery packs.** Service of battery packs should only be performed by the manufacturer or authorized service providers.
3. **Follow instruction for lubricating and changing accessories.**

Cordless Ratchet Wrench safety warnings

1. **Hold the power tool by insulated gripping surfaces, when performing an operation where the fastener may contact hidden wiring.** Fasteners contacting a "live" wire may make exposed metal parts of the power tool "live" and could give the operator an electric shock.
2. **Hold the tool firmly.**
3. **Always be sure you have a firm footing. Be sure no one is below when using the tool in high locations.**
4. **Wear ear protectors.**
5. **Check the impact socket carefully for wear, cracks or damage before installation.**
6. **Keep hands away from rotating parts.**
7. **Do not touch the ratchet head, impact socket, bolt, nut or the workpiece immediately after long time operation.** They may be extremely hot and could burn your skin.

SAVE THESE INSTRUCTIONS.

⚠WARNING: DO NOT let comfort or familiarity with product (gained from repeated use) replace strict adherence to safety rules for the subject product.

MISUSE or failure to follow the safety rules stated in this instruction manual may cause serious personal injury.

Important safety instructions for battery cartridge

1. **Before using battery cartridge, read all instructions and cautionary markings on (1) battery charger, (2) battery, and (3) product using battery.**
2. **Do not disassemble or tamper the battery cartridge.** It may result in a fire, excessive heat, or explosion.
3. **If operating time has become excessively shorter, stop operating immediately. It may result in a risk of overheating, possible burns and even an explosion.**
4. **If electrolyte gets into your eyes, rinse them out with clear water and seek medical attention right away. It may result in loss of your eyesight.**
5. **Do not short the battery cartridge:**
 - (1) **Do not touch the terminals with any conductive material.**
 - (2) **Avoid storing battery cartridge in a container with other metal objects such as nails, coins, etc.**
 - (3) **Do not expose battery cartridge to water or rain.**

A battery short can cause a large current flow, overheating, possible burns and even a breakdown.
6. **Do not store and use the tool and battery cartridge in locations where the temperature may reach or exceed 50 °C (122 °F).**

7. **Do not incinerate the battery cartridge even if it is severely damaged or is completely worn out. The battery cartridge can explode in a fire.**
8. **Do not nail, cut, crush, throw, drop the battery cartridge, or hit against a hard object to the battery cartridge.** Such conduct may result in a fire, excessive heat, or explosion.
9. **Do not use a damaged battery.**
10. **The contained lithium-ion batteries are subject to the Dangerous Goods Legislation requirements.**
For commercial transports e.g. by third parties, forwarding agents, special requirement on packaging and labeling must be observed.
For preparation of the item being shipped, consulting an expert for hazardous material is required.
Please also observe possibly more detailed national regulations.
Tape or mask off open contacts and pack up the battery in such a manner that it cannot move around in the packaging.
11. **When disposing the battery cartridge, remove it from the tool and dispose of it in a safe place. Follow your local regulations relating to disposal of battery.**
12. **Use the batteries only with the products specified by Makita.** Installing the batteries to non-compliant products may result in a fire, excessive heat, explosion, or leak of electrolyte.
13. **If the tool is not used for a long period of time, the battery must be removed from the tool.**
14. **During and after use, the battery cartridge may take on heat which can cause burns or low temperature burns. Pay attention to the handling of hot battery cartridges.**
15. **Do not touch the terminal of the tool immediately after use as it may get hot enough to cause burns.**
16. **Do not allow chips, dust, or soil stuck into the terminals, holes, and grooves of the battery cartridge.** It may result in poor performance or breakdown of the tool or battery cartridge.
17. **Unless the tool supports the use near high-voltage electrical power lines, do not use the battery cartridge near high-voltage electrical power lines.** It may result in a malfunction or breakdown of the tool or battery cartridge.
18. **Keep the battery away from children.**

SAVE THESE INSTRUCTIONS.

⚠ CAUTION: Only use genuine Makita batteries. Use of non-genuine Makita batteries, or batteries that have been altered, may result in the battery bursting causing fires, personal injury and damage. It will also void the Makita warranty for the Makita tool and charger.

Tips for maintaining maximum battery life

1. **Charge the battery cartridge before completely discharged. Always stop tool operation and charge the battery cartridge when you notice less tool power.**
2. **Never recharge a fully charged battery cartridge. Overcharging shortens the battery service life.**
3. **Charge the battery cartridge with room temperature at 10 °C - 40 °C (50 °F - 104 °F). Let a hot battery cartridge cool down before charging it.**
4. **When not using the battery cartridge, remove it from the tool or the charger.**
5. **Charge the battery cartridge if you do not use it for a long period (more than six months).**

FUNCTIONAL DESCRIPTION

⚠ CAUTION: Always be sure that the tool is switched off and the battery cartridge is removed before adjusting or checking function on the tool.

Installing or removing battery cartridge

⚠ CAUTION: Always switch off the tool before installing or removing of the battery cartridge.

⚠ CAUTION: Hold the tool and the battery cartridge firmly when installing or removing battery cartridge. Failure to hold the tool and the battery cartridge firmly may cause them to slip off your hands and result in damage to the tool and battery cartridge and a personal injury.

► Fig.1: 1. Red indicator 2. Button 3. Battery cartridge

To remove the battery cartridge, slide it from the tool while sliding the button on the front of the cartridge.

To install the battery cartridge, align the tongue on the battery cartridge with the groove in the housing and slip it into place. Insert it all the way until it locks in place with a little click. If you can see the red indicator on the upper side of the button, it is not locked completely.

⚠ CAUTION: Always install the battery cartridge fully until the red indicator cannot be seen. If not, it may accidentally fall out of the tool, causing injury to you or someone around you.

⚠ CAUTION: Do not install the battery cartridge forcibly. If the cartridge does not slide in easily, it is not being inserted correctly.

Tool / battery protection system

The tool is equipped with a tool/battery protection system. This system automatically cuts off the power to extend tool and battery life. The tool will automatically stop during operation if the tool or battery is placed under one of the following conditions:

Overload protection

This protection works when the tool is operated in a manner that causes it to draw an abnormally high current. In this situation, turn the tool off and stop the application that caused the tool to become overloaded. Then turn the tool on to restart.

Overheat protection

When the tool is overheated, the tool stops automatically and the lamp starts blinking. In this situation, let the tool and battery cool before turning the tool on again.

Overdischarge protection

This protection works when the remaining battery capacity gets low. In this situation, remove the battery from the tool and charge the battery.

Indicating the remaining battery capacity

Only for battery cartridges with the indicator

► **Fig.2:** 1. Indicator lamps 2. Check button

Press the check button on the battery cartridge to indicate the remaining battery capacity. The indicator lamps light up for a few seconds.

Indicator lamps			Remaining capacity
Lighted	Off	Blinking	
			75% to 100%
			50% to 75%
			25% to 50%
			0% to 25%
			Charge the battery.
			The battery may have malfunctioned.

NOTE: Depending on the conditions of use and the ambient temperature, the indication may differ slightly from the actual capacity.

NOTE: The first (far left) indicator lamp will blink when the battery protection system works.

Switch action


CAUTION: Before installing the battery cartridge into the tool, always check to see that the switch lever actuates properly and returns to the "OFF" position when released.


To start the tool, simply pull the switch lever. Tool speed is increased by increasing pressure on the switch lever. Release the switch lever to stop.

► **Fig.3:** 1. Switch lever


NOTE: The tool automatically stops when you keep pulling the switch trigger for about 1 minute.

To prevent the switch lever from accidentally pulled, the lock lever is provided.

When the lock lever is in the lock position , the switch lever cannot be actuated.

When the lock lever is in the unlock position , the switch lever can be actuated.

► **Fig.4:** 1. Lock lever 2. Lock 3. Unlock

CAUTION: When not operating the tool, always slide the lock lever to the lock position .

Lighting up the front lamp

CAUTION: Do not look in the light or see the source of light directly.

Pull the switch lever to light up the lamp. The lamp keeps on lighting while the switch lever is being pulled. The light automatically goes out approximately 10 seconds after the switch lever is released.

► **Fig.5:** 1. Switch lever 2. Lamp

NOTICE: When the tool is overheated, the lamp blinks. Cool down the tool fully before operating the tool again.

NOTICE: Use a dry cloth to wipe the dirt off the lens of the lamp. Be careful not to scratch the lens of lamp, or it may lower the illumination.

Reversing lever action

CAUTION: Always check the direction of rotation before operation.

CAUTION: Use the reversing lever only after the tool comes to a complete stop. Changing the direction of rotation before the tool stops may damage the tool.

This tool has a reversing lever to change the direction of rotation. Turn the reversing lever to the A side for clockwise rotation or to the B side for counterclockwise rotation.

Make sure that the reversing lever is fully turned with a click.

► **Fig.6:** 1. Reversing lever

ASSEMBLY

⚠ CAUTION: Always be sure that the tool is switched off and the battery cartridge is removed before carrying out any work on the tool.

Installing or removing socket adaptor

To install the socket adaptor, push it into the adaptor hole until it locks into place.

► Fig.7: 1. Socket adaptor 2. Adaptor hole

To remove the socket adaptor, insert a stick like a screwdriver into the backside of the socket adaptor, and then tap it gently.

► Fig.8: 1. Socket adaptor 2. Screwdriver

NOTICE: During removal procedure, keep holding the socket adaptor to prevent it from falling off from the tool.

Installing or removing socket

⚠ CAUTION: Before operation, make sure that the socket is properly locked onto the socket adaptor. Incomplete attachment of the socket may cause injury.

NOTICE: Always use the correct size socket for bolt/nut. An incorrect size socket will result in inconsistent fastening torque and/or damage to the bolt/nut.

To install the socket, push it onto the socket adaptor until it locks into place. To remove the socket, simply pull it off.

► Fig.9: 1. Socket 2. Socket adaptor

OPERATION

⚠ CAUTION: Hold the tool firmly especially when the bolt/nut reaches the seating position. The socket stops rotating and the motor reaction generate instant backlash to rotate the tool.

NOTICE: Hold the tool pointed straight at the bolt/nut.

Hold the tool firmly and place the socket over the bolt/nut. Turn the tool on and fasten. When the bolt/nut reaches the seating position, the tool stops automatically.

► Fig.10

The tool also works without socket. The adaptor hole can fasten M8 (5/16") bolt/nut. (works as 13mm socket)

► Fig.11

Using as hand tool

You can use the tool as a hand ratchet wrench by turning the tool in the direction arrows as illustrated. In particular when loosening a stiff bolt/nut, loosen it by hand first then turn the tool on.

► Fig.12

NOTICE: Excessive fastening torque may damage the bolt/nut, the socket or the tool.

MAINTENANCE

⚠ CAUTION: Always be sure that the tool is switched off and the battery cartridge is removed before attempting to perform inspection or maintenance.

NOTICE: Never use gasoline, benzine, thinner, alcohol or the like. Discoloration, deformation or cracks may result.

To maintain product SAFETY and RELIABILITY, repairs, any other maintenance or adjustment should be performed by Makita Authorized or Factory Service Centers, always using Makita replacement parts.

OPTIONAL ACCESSORIES

⚠ CAUTION: These accessories or attachments are recommended for use with your Makita tool specified in this manual. The use of any other accessories or attachments might present a risk of injury to persons. Only use accessory or attachment for its stated purpose.

If you need any assistance for more details regarding these accessories, ask your local Makita Service Center.

- Socket
- Socket adaptor
- Makita genuine battery and charger

NOTE: Some items in the list may be included in the tool package as standard accessories. They may differ from country to country.

规格

型号:	DWR180	
紧固能力 (手动再 紧固)	普通螺栓	M5 - M12
	强力螺栓	M5 - M10
方形传动螺杆	6.35 mm、9.5 mm	
空载速度	0 - 800 /min	
最大紧固转矩	47.5 N•m	
长度	369 mm	
额定电压	D.C. 18 V	
净重	1.2 - 1.6 kg	

- 生产者保留变更规格不另行通知之权利。
- 规格和电池组可能因销往国家之不同而异。
- 重量因附件（包括电池组）而异。根据EPTA-Procedure 01/2014，最重与最轻的组合见表格。

适用电池组和充电器

电池组	BL1815N / BL1820B / BL1830B / BL1840B / BL1850B / BL1860B
充电器	DC18RC / DC18RD / DC18RE / DC18SD / DC18SE / DC18SF / DC18SH

- 部分以上所列电池组和充电器是否适用视用户所在地区而异。

警告： 请仅使用以上所列电池组和充电器。使用其他类型的电池组或充电器可能会导致人身伤害和 / 或失火。

符号

以下显示本设备可能会使用的符号。在使用工具之前，请务必理解其含义。



阅读使用说明书。



仅限于欧盟国家
请勿将电气设备或电池组与家庭普通废弃物一同丢弃！请务必遵守欧洲关于废弃电子电气设备、电池和蓄电池以及废弃电池和蓄电池的指令并根据法律法规执行。达到使用寿命的电气设备和电池组必须分类回收至符合环境保护规定的再循环机构。

用途

本工具用于紧固螺栓或螺母。

安全警告

电动工具通用安全警告

警告： 阅读随电动工具提供的所有安全警告、说明、图示和规定。不遵照以下所列说明会导致电击、着火和 / 或严重伤害。

保存所有警告和说明书以备查阅。

警告中的术语“电动工具”是指市电驱动（有线）电动工具或电池驱动（无线）电动工具。

工作场地的安全

1. 保持工作场地清洁和明亮。杂乱和黑暗的场地会引发事故。
2. 不要在易爆环境，如有易燃液体、气体或粉尘的环境下操作电动工具。电动工具产生的火花会点燃粉尘或气体。
3. 操作电动工具时，远离儿童和旁观者。注意力不集中会使你失去对工具的控制。

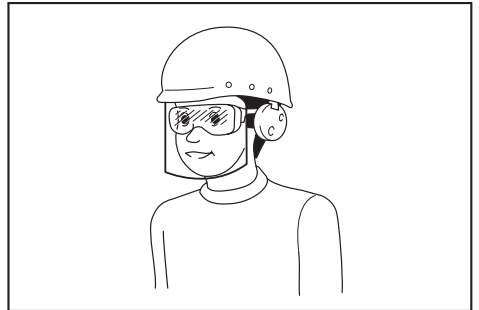
电气安全

1. 电动工具插头必须与插座相配。绝不能以任何方式改装插头。需接地的电动工具不能使用任何转换插头。未经改装的插头和相配的插座将降低电击风险。
2. 避免人体接触接地表面，如管道、散热片和冰箱。如果你身体接触接地表面会增加电击风险。
3. 不得将电动工具暴露在雨中或潮湿环境中。水进入电动工具将增加电击风险。
4. 不得滥用软线。绝不能用软线搬运、拉动电动工具或拔出其插头。使软线远离热源、油、锐边或运动部件。受损或缠绕的软线会增加电击风险。
5. 当在户外使用电动工具时，使用适合户外使用的延长线。适合户外使用的电线将降低电击风险。
6. 如果无法避免在潮湿环境中操作电动工具，应使用带有剩余电流装置（RCD）保护的电源。RCD的使用可降低电击风险。
7. 电动工具会产生对用户无害的电磁场（EMF）。但是，起搏器和其他类似医疗设备的用户应在操作本电动工具前咨询其设备的制造商和/或医生寻求建议。

人身安全

1. 保持警觉，当操作电动工具时关注所从事的操作并保持清醒。当你感到疲倦，或在有药物、酒精或治疗反应时，不要操作电动工具。在操作电动工具时瞬间的疏忽会导致严重人身伤害。
2. 使用个人防护装置。始终佩戴护目镜。防护装置，诸如适当条件下使用防尘面具、防滑安全鞋、安全帽、听力防护等装置能减少人身伤害。
3. 防止意外起动。在连接电源和/或电池包、拿起或搬运工具前确保开关处于关断位置。手指放在开关上搬运工具或开关处于接通时通电会导致危险。

4. 在电动工具接通之前，拿掉所有调节钥匙或扳手。遗留在电动工具旋转零件上的扳手或钥匙会导致人身伤害。
5. 手不要过分伸展。时刻注意立足点和身体平衡。这样能在意外情况下能更好地控制住电动工具。
6. 着装适当。不要穿宽松衣服或佩戴饰品。让你的头发和衣服远离运动部件。宽松衣服、佩饰或长发可能会卷入运动部件。
7. 如果提供了与排屑、集尘设备连接用的装置，要确保其连接完好且使用得当。使用集尘装置可降低尘屑引起的危险。
8. 不要因为频繁使用工具而产生的熟悉感而掉以轻心，忽视工具的安全准则。某个粗心的动作可能在瞬间导致严重的伤害。
9. 使用电动工具时请始终佩带护目镜以免伤害眼睛。护目镜须符合美国ANSI Z87.1、欧洲EN 166或者澳大利亚/新西兰的AS/NZS 1336的规定。在澳大利亚/新西兰，法律要求佩带面罩保护脸部。



雇主有责任监督工具操作者和其他近工作区域人员佩带合适的安全防护设备。

电动工具使用和注意事项

1. 不要勉强使用电动工具，根据用途使用合适的电动工具。选用合适的按照额定值设计的电动工具会使你工作更有效、更安全。
2. 如果开关不能接通或关断电源，则不能使用该电动工具。不能通过开关来控制的电动工具是危险的且必须进行修理。
3. 在进行任何调节、更换附件或贮存电动工具之前，必须从电源上拔掉插头和/或卸下电池包（如可拆卸）。这种防护性的安全措施降低了电动工具意外起动的风险。

- 将闲置不用的电动工具贮存在儿童所及范围之外，并且不允许不熟悉电动工具和不了解这些说明的人操作电动工具。电动工具在未经培训的使用者手中是危险的。
- 维护电动工具及其附件。检查运动部件是否调整到位或卡住，检查零件破损情况和影响电动工具运行的其他状况。如有损坏，应在使用前修理好电动工具。许多事故是由维护不良的电动工具引发的。
- 保持切削刀具锋利和清洁。维护良好地有锋利切削刃的刀具不易卡住而且容易控制。
- 按照使用说明书，并考虑作业条件和要进行的作业来选择电动工具、附件和工具的刀头等。将电动工具用于那些与其用途不符的操作可能会导致危险情况。
- 保持手柄和握持表面干燥、清洁，不得沾有油脂。在意外的情况下，湿滑的手柄不能保证握持的安全和对工具的控制。
- 使用本工具时，请勿佩戴可能会缠绕的布质工作手套。布质工作手套卷入移动部件可能会造成人身伤害。

电池式工具使用和注意事项

- 仅使用生产者规定的充电器充电。将适用于某种电池包的充电器用到其他电池包时可能会发生着火危险。
- 仅使用配有专用电池包的电动工具。使用其他电池包可能会产生伤害和着火危险。
- 当电池包不用时，将它远离其他金属物体，例如回形针、硬币、钥匙、钉子、螺钉或其他小金属物体，以防电池包一端与另一端连接。电池组端部短路可能会引起燃烧或着火。
- 在滥用条件下，液体可能会从电池组中溅出；应避免接触。如果意外碰到液体，用水冲洗。如果液体碰到了眼睛，还应寻求医疗帮助。从电池中溅出的液体可能会发生腐蚀或燃烧。
- 不要使用损坏或改装过的电池包或工具。损坏或改装过的电池组可能呈现无法预测的结果，导致着火、爆炸或伤害。
- 不要将电池包暴露于火或高温中。电池包暴露于火或高于 130 °C 的高温中可能导致爆炸。

- 遵循所有充电说明。不要在说明书中指定的温度范围之外给电池包或电动工具充电。不正确或在指定的温度范围外充电可能会损坏电池和增加着火的风险。

维修

- 让专业维修人员使用相同的备件维修电动工具。这将保证所维修的电动工具的安全。
- 决不能维修损坏的电池包。电池包仅能由生产者或其授权的维修服务商进行维修。
- 上润滑油及更换附件时请遵循本说明书指示。

充电式棘轮扳手使用安全警告

- 当进行作业时紧固件可能会接触到隐藏的电线，请握住电动工具的绝缘抓握表面。紧固件接触到“带电”的电线时，工具上裸露的金属部分可能也会“带电”，并使操作者触电。
- 请牢握本工具。
- 请务必确保立足稳固。在高处使用工具时确保下方无人。
- 请佩戴耳罩。
- 安装之前请仔细检查冲击套筒上是否有磨损、裂缝或损坏。
- 手应远离旋转的部件。
- 长时间操作之后，请勿立刻触摸棘头、冲击套筒、螺栓、螺母或工件。它们可能会非常烫而导致烫伤皮肤。

请保留此说明书。

警告： 请勿为图方便或因对产品足够熟悉（由于重复使用而获得的经验）而不严格遵循相关产品安全规则。

使用不当或不遵循使用说明书中的安全规则会导致严重的人身伤害。

电池组的重要安全注意事项

- 在使用电池组之前，请仔细阅读所有的说明以及（1）电池充电器，（2）电池，以及（3）使用电池的产品上的警告标记。
- 切勿拆卸或改装电池组。否则可能引起火灾、过热或爆炸。
- 如果机器运行时间变得过短，请立即停止使用。否则可能会导致过热、起火甚至爆炸。

4. 如果电解液进入您的眼睛，用清水将其冲洗干净并立即就医。否则可能会导致视力受损。
5. 请勿使电池组短路：
 - (1) 请勿使任何导电材料碰触到端子。
 - (2) 避免将电池组与其他金属物品如钉子、硬币等放置在同一容器内。
 - (3) 请勿将电池组置于水中或使其淋雨。电池短路将产生大的电流，导致过热，并可能导致起火甚至击穿。
6. 请勿在温度可能达到或超过**50°C (122°F)**的场所存放以及使用工具和电池组。
7. 即使电池组已经严重损坏或完全磨损，也请勿焚烧电池组。电池组会在火中爆炸。
8. 请勿对电池组射钉，或者切削、挤压、抛掷、掉落电池组，又或者用硬物撞击电池组。否则可能引起火灾、过热或爆炸。
9. 请勿使用损坏的电池。
10. 本工具附带的锂离子电池需符合危险品法规要求。
第三方或转运代理等进行商业运输时，应遵循包装和标识方面的特殊要求。有关运输项目的准备作业，咨询危险品方面的专业人士。同时，请遵守可能更为详尽的国家法规。
请使用胶带保护且勿遮掩表面的联络信息，并牢固封装电池，使电池在包装内不可动。
11. 丢弃电池组时，需将其从工具上卸下并在安全地带进行处理。关于如何处理废弃的电池，请遵循当地法规。
12. 仅将电池用于**Makita (牧田)**指定的产品。将电池安装至不兼容的产品会导致起火、过热、爆炸或电解液泄漏。
13. 如长时间未使用工具，必须将电池从工具内取出。
14. 使用工具期间以及使用工具之后，电池组温度可能较高易引起灼伤或低温烫伤。处理高温电池组时请小心操作。
15. 在使用工具后请勿立即触碰工具的端子，否则可能引起灼伤。
16. 避免锯屑、灰尘或泥土卡入电池组的端子、孔口和凹槽内。否则可能导致工具或电池组性能下降或故障。

17. 除非工具支持在高压电源线路附近使用，否则请勿在高压电源线路附近使用电池组。否则可能导致工具或电池组故障或失常。
18. 确保电池远离儿童。

请保留此说明书。

⚠小心：请仅使用**Makita (牧田)**原装电池。使用非**Makita (牧田)**原装电池或经过改装的电池可能会导致电池爆炸，从而造成火灾、人身伤害或物品受损。同时也会导致牧田工具和充电器的牧田保修服务失效。

保持电池最大使用寿命的提示

1. 在电池组电量完全耗尽前及时充电。发现工具电量低时，请停止工具操作，并给电池组充电。
2. 请勿对已充满电的电池组重新充电。过度充电将缩短电池的使用寿命。
3. 请在**10°C - 40°C (50°F - 104°F)**的室温条件下给电池组充电。请在灼热的电池组冷却后再充电。
4. 不使用电池组时，请将其从工具或充电器上拆除。
5. 如果电池组长时间（超过六个月）未使用，请给其充电。

功能描述

⚠小心：调节或检查工具功能之前，请务必关闭工具的电源并取出电池组。

安装或拆卸电池组

⚠小心：安装或拆卸电池组之前，请务必关闭工具电源。

⚠小心：安装或拆卸电池组时请握紧工具和电池组。否则它们可能从您的手中滑落，导致工具和电池组受损，甚至造成人身伤害。

- **图片1：** 1. 红色指示器 2. 按钮 3. 电池组
拆卸电池组时，按下电池组前侧的按钮，同时将电池组从工具中抽出。

安装电池组时，要将电池组上的舌簧与外罩上的凹槽对齐，然后推滑到位。将其完全插入到位，直到电池组被锁定并发出卡嗒声为止。如果插入后仍能看到按钮上侧的红色指示器，则说明电池组未完全锁紧。

⚠️小心： 务必完全装入电池组，直至看不见红色指示器为止。否则，它可能会从工具中意外脱落，从而造成自身或他人受伤。

⚠️小心： 请勿强行安装电池组。如果电池组难以插入，可能是插入方法不当。

工具 / 电池保护系统

本工具配备有工具 / 电池保护系统。该系统可自动切断电源以延长工具和电池寿命。作业时，如果工具或电池处于以下情况，工具将会自动停止运转。

过载保护

以导致异常高电流的方式操作工具时，此保护功能将启动。在这种情况下，请关闭工具并停止导致工具过载的应用程序。然后开启工具重新启动。

过热保护

工具过热时，工具将自动停止运转且指示灯开始闪烁。在这种情况下，请待工具和电池冷却后再重新开启工具。

过放电保护

当剩余电池电量变低时，将启动此保护功能。此时，请取出工具中的电池并予以充电。

显示电池的剩余电量

仅限带指示灯的电池组

- ▶ **图片2:** 1. 指示灯
- 2. CHECK (查看) 按钮

按电池组上的**CHECK (查看)**按钮可显示电池剩余电量。指示灯将亮起数秒。

指示灯			剩余电量
■ 点亮	□ 熄灭	▣ 闪烁	
■ ■ ■ ■			75%至100%
■ ■ ■ □			50%至75%
■ ■ □ □			25%至50%
■ □ □ □			0%至25%
▣ □ □ □			给电池充电。
■ ■ □ □			电池可能出现故障。
□ □ ■ ■			

注： 在不同的使用条件及环境温度下，指示灯所示电量可能与实际情况略有不同。

注： 当电池保护系统启动时，第一个（最左侧）指示灯将闪烁。

开关操作


⚠️小心： 在将电池组安装至工具之前，请务必检查开关柄是否能扣动自如，松开时能否退回至“关闭”位置。

启动工具时，只要扣动开关柄即可。随着在开关柄上施加压力的增大，工具速度会提高。释放开关柄可使工具停止。

▶ **图片3:** 1. 开关柄

注： 如果持续扣动开关扳机1分钟左右，工具将自动停止。

为避免意外扣动开关柄，本工具采用锁定杆。

当锁定杆位于锁定位置时，无法扣动开关柄。

当锁定杆位于解锁位置时，可以扣动开关柄。

▶ **图片4:** 1. 锁定杆 2. 锁定 3. 解锁

⚠️小心： 不使用工具时，请务必将锁定杆滑至锁定位置.

点亮前灯

⚠小心： 请勿直视灯光或光源。

扣动开关柄点亮照明灯。在扣动开关柄期间此灯保持亮起。释放开关柄约10秒后，灯自动熄灭。

► **图片5：** 1. 开关柄 2. 照明灯

注意： 工具过热时，该灯闪烁。请在再次操作工具前充分冷却工具。

注意： 请使用干布擦拭灯头灰。注意不要刮花灯头，否则会降低亮度。

反转柄操作

⚠小心： 操作前请务必确认工具的旋转方向。

⚠小心： 请在工具完全停止后使用反转柄。在工具停止前改变旋转方向可能会损坏工具。

本工具设有反转柄，可改变旋转方向。将反转柄转至A侧可进行顺时针旋转；转至B侧可进行逆时针旋转。

确保完全转动反转柄并发出卡嗒声。

► **图片6：** 1. 反转柄

装配

⚠小心： 对工具进行任何装配操作前，请务必关闭工具电源，并取出电池组。

安装或拆卸套筒适配器

安装套筒适配器时，将其按入适配器孔中直至完全就位。

► **图片7：** 1. 套筒适配器 2. 适配器孔

要拆下套筒适配器，请将螺丝起子等棒形工具插入套筒适配器的背侧，然后轻轻拍打。

► **图片8：** 1. 套筒适配器 2. 螺丝起子

注意： 拆卸步骤中，保持固定套筒适配器，防止其从工具上掉落。

安装或拆卸套筒

⚠小心： 操作前，务必确保套筒已正确锁定至套筒适配器。套筒安装不正确可能会导致人身伤害。

注意： 请务必根据螺栓 / 螺母选择正确尺寸的套筒。套筒尺寸不正确将导致紧固扭矩不统一和 / 或螺栓 / 螺母受损。

安装套筒时，将其按至套筒适配器中直至完全就位。拆卸套筒时，只需将其拔下即可。

► **图片9：** 1. 套筒 2. 套筒适配器

操作

⚠小心： 紧握工具，尤其是当螺栓 / 螺母到达就位位置时。套筒停止旋转并且电机反作用力造成突然反冲会旋转工具。

注意： 使工具平直对准螺栓 / 螺母。

牢牢握住工具并将套筒置于螺栓 / 螺母上方。开启工具并进行紧固操作。当螺栓 / 螺母到达就位位置时，工具会自动停止。

► **图片10**

此工具也可不使用套筒工作。适配器孔可紧固M8 (5/16") 螺栓 / 螺母。（用作13mm套筒）

► **图片11**

用作手持工具

您可以按图中所示转动工具以将其用作手持式棘轮扳手。特别是在拧松刚性螺栓 / 螺母时，可先用手拧松，然后再开启工具。

► **图片12**

注意： 紧固扭矩过大可能损坏螺栓 / 螺母、套筒或工具。

保养

⚠小心： 检查或保养工具之前，请务必关闭工具电源并取出电池组。

注意： 切勿使用汽油、苯、稀释剂、酒精或类似物品清洁工具。否则可能会导致工具变色、变形或出现裂缝。

为了保证产品的安全与可靠性，维修、任何其他维修保养或调节需由Makita（牧田）授权的或工厂维修服务中心完成。务必使用Makita（牧田）的替换部件。

选购附件

⚠小心： 这些附件或装置专用于本说明书所列的Makita（牧田）工具。如使用其他厂牌附件或装置，可能导致人身伤害。仅可将附件或装置用于规定目的。

如您需要了解更多关于这些选购附件的信息，请咨询当地的Makita（牧田）维修服务中心。

- 套筒
- 套筒适配器
- Makita（牧田）原装电池和充电器

注： 本列表中的一些部件可能作为标准配件包含于工具包装内。它们可能因销往国家之不同而异。

SPEKIFIKASI

Model:		DWR180
Kapasitas pengencang (dengan pengencangan ulang secara manual)	Baut standar	M5 - M12
	Baut mutu tinggi	M5 - M10
Kepala persegi		6,35 mm, 9,5 mm
Kecepatan tanpa beban		0 - 800 min ⁻¹
Torsi pengencangan maksimum		47,5 N•m
Panjang keseluruhan		369 mm
Tegangan terukur		D.C. 18 V
Berat bersih		1,2 - 1,6 kg

- Karena kesinambungan program penelitian dan pengembangan kami, spesifikasi yang disebutkan di sini dapat berubah tanpa pemberitahuan.
- Spesifikasi dan kartrid baterai dapat berbeda dari satu negara ke negara lainnya.
- Berat alat mungkin berbeda tergantung perangkat tambahan yang dipasang, termasuk kartrid baterai. Kombinasi alat terberat dan teringan, sesuai Prosedur EPTA 01/2014, ditunjukkan pada tabel.

Kartrid dan pengisi daya baterai yang dapat digunakan

Kartrid baterai	BL1815N / BL1820B / BL1830B / BL1840B / BL1850B / BL1860B
Pengisi daya	DC18RC / DC18RD / DC18RE / DC18SD / DC18SE / DC18SF / DC18SH

- Beberapa kartrid baterai dan pengisi daya yang tercantum di atas mungkin tidak tersedia, tergantung wilayah tempat tinggal Anda.

⚠️ PERINGATAN: Hanya gunakan kartrid dan pengisi daya baterai yang tercantum di atas. Penggunaan kartrid dan pengisi daya baterai lain dapat menimbulkan risiko cedera dan/atau kebakaran.

Simbol

Berikut ini adalah simbol-simbol yang dapat digunakan pada peralatan ini. Pastikan Anda memahami arti masing-masing simbol sebelum menggunakan peralatan.



Baca petunjuk penggunaan.



Ni-MH
Li-Ion

Hanya untuk negara-negara UE
Jangan membuang peralatan listrik atau paket baterai bersama-sama dengan bahan limbah rumah tangga!
Dengan memerhatikan Petunjuk Eropa, tentang Limbah Peralatan Listrik dan Elektronik serta Baterai dan Akumulator serta Limbah Baterai dan Akumulator dan pelaksanaannya sesuai dengan ketentuan hukum nasional, peralatan listrik dan baterai dan paket baterai yang telah habis umur pakainya harus dikumpulkan secara terpisah dan dikembalikan ke fasilitas daur ulang yang kompatibel secara lingkungan.

Penggunaan

Mesin ini digunakan untuk mengencangkan baut dan mur.

PERINGATAN KESELAMATAN

Peringatan keselamatan umum mesin listrik

⚠️ PERINGATAN: Bacalah semua peringatan keselamatan, petunjuk, ilustrasi dan spesifikasi yang disertakan bersama mesin listrik ini. Kelalaian untuk mematuhi semua petunjuk yang tercantum di bawah ini dapat menyebabkan sengatan listrik, kebakaran dan/atau cedera serius.

Simpanlah semua peringatan dan petunjuk untuk acuan di masa depan.

Istilah “mesin listrik” dalam semua peringatan mengacu pada mesin listrik yang dijalankan dengan sumber listrik jala-jala (berkabel) atau baterai (tanpa kabel).

Keselamatan tempat kerja

1. **Jaga tempat kerja selalu bersih dan berpenerangan cukup.** Tempat kerja yang berantakan dan gelap mengundang kecelakaan.
2. **Jangan gunakan mesin listrik dalam lingkungan yang mudah meledak, misalnya jika ada cairan, gas, atau debu yang mudah menyala.** Mesin listrik menimbulkan bunga api yang dapat menyalakan debu atau uap tersebut.
3. **Jauhkan anak-anak dan orang lain saat menggunakan mesin listrik.** Bila perhatian terpecah, anda dapat kehilangan kendali.

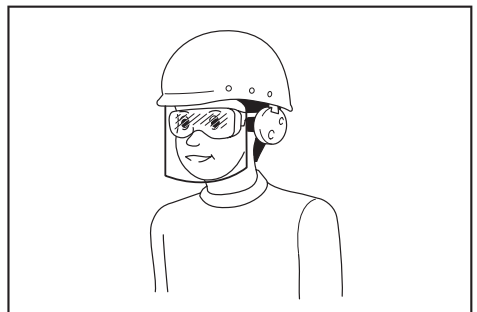
Keamanan Kelistrikan

1. **Steker mesin listrik harus cocok dengan stopkontak. Jangan sekali-kali mengubah steker dengan cara apa pun. Jangan menggunakan steker adaptor dengan mesin listrik terbumi (dibumikan).** Steker yang tidak diubah dan stopkontak yang cocok akan mengurangi risiko sengatan listrik.
2. **Hindari sentuhan tubuh dengan permukaan terbumi atau yang dibumikan seperti pipa, radiator, kompor, dan kulkas.** Risiko sengatan listrik bertambah jika tubuh Anda terbumikan atau dibumikan.
3. **Jangan membiarkan mesin listrik kehujanan atau kebasahan.** Air yang masuk ke dalam mesin listrik akan meningkatkan risiko sengatan listrik.
4. **Jangan menyalahgunakan kabel. Jangan sekali-kali menggunakan kabel untuk membawa, menarik, atau mencabut mesin listrik dari stopkontak. Jauhkan kabel dari panas, minyak, tepian tajam, atau bagian yang bergerak.** Kabel yang rusak atau kusut memperbesar risiko sengatan listrik.
5. **Bila menggunakan mesin listrik di luar ruangan, gunakan kabel ekstensi yang sesuai untuk penggunaan di luar ruangan.** Penggunaan kabel yang sesuai untuk penggunaan luar ruangan mengurangi risiko sengatan listrik.
6. **Jika mengoperasikan mesin listrik di lokasi lembap tidak terhindarkan, gunakan pasokan daya yang dilindungi peranti imbasan arus (residual current device - RCD).** Penggunaan RCD mengurangi risiko sengatan listrik.
7. **Mesin listrik dapat menghasilkan medan magnet (EMF) yang tidak berbahaya bagi pengguna.** Namun, pengguna alat pacu jantung atau peralatan medis sejenisnya harus berkonsultasi dengan produsen peralatan tersebut dan/atau dokter mereka sebelum mengoperasikan mesin listrik ini.

Keselamatan Diri

1. **Jaga kewaspadaan, perhatikan pekerjaan Anda dan gunakan akal sehat bila menggunakan mesin listrik. Jangan menggunakan mesin listrik saat Anda lelah atau di bawah pengaruh obat bius, alkohol, atau obat.** Sekejap saja lalai saat menggunakan mesin listrik dapat menyebabkan cedera badan serius.

2. **Gunakan alat pelindung diri. Selalu gunakan pelindung mata.** Peralatan pelindung seperti masker debu, sepatu pengaman anti-selip, helm pengaman, atau pelindung telinga yang digunakan untuk kondisi yang sesuai akan mengurangi risiko cedera badan.
3. **Cegah penyalahan yang tidak disengaja. Pastikan bahwa sakelar berada dalam posisi mati (off) sebelum menghubungkan mesin ke sumber daya dan/atau paket baterai, atau mengangkat atau membawanya.** Membawa mesin listrik dengan jari Anda pada sakelarnya atau mengalirkan listrik pada mesin listrik yang sakelarnya hidup (on) akan mengundang kecelakaan.
4. **Lepaskan kunci-kunci penyetel sebelum menghidupkan mesin listrik.** Kunci-kunci yang masih terpasang pada bagian mesin listrik yang berputar dapat menyebabkan cedera.
5. **Jangan meraih terlalu jauh. Jagalah pijakan dan keseimbangan sepanjang waktu.** Hal ini memungkinkan kendali yang lebih baik atas mesin listrik dalam situasi yang tidak diharapkan.
6. **Kenakan pakaian yang memadai. Jangan memakai pakaian yang longgar atau perhiasan. Jaga jarak antara rambut dan pakaian Anda dengan komponen mesin yang bergerak.** Pakaian yang longgar, perhiasan, atau rambut yang panjang dapat tersangkut pada komponen yang bergerak.
7. **Jika tersedia fasilitas untuk menghisap dan mengumpulkan debu, pastikan fasilitas tersebut terhubung listrik dan digunakan dengan baik.** Penggunaan pembersih debu dapat mengurangi bahaya yang terkait dengan debu.
8. **Jangan sampai Anda lengah dan mengabaikan prinsip keselamatan mesin ini hanya karena sudah sering mengoperasikannya dan sudah merasa terbiasa.** Tindakan yang lalai dapat menyebabkan cedera berat dalam sepersekian detik saja.
9. **Selalu kenakan kacamata pelindung untuk melindungi mata dari cedera saat menggunakan mesin listrik. Kacamata harus sesuai dengan ANSI Z87.1 di Amerika Serikat, EN 166 di Eropa, atau AS/NZS 1336 di Australia/Selandia Baru. Di Australia/Selandia Baru, secara hukum Anda juga diwajibkan mengenakan pelindung wajah untuk melindungi wajah Anda.**



Menjadi tanggung jawab atasan untuk menerapkan penggunaan alat pelindung keselamatan yang tepat bagi operator mesin dan orang lain yang berada di area kerja saat itu.

Penggunaan dan pemeliharaan mesin listrik

- 1. Jangan memaksa mesin listrik. Gunakan mesin listrik yang tepat untuk keperluan Anda.** Mesin listrik yang tepat akan menuntaskan pekerjaan dengan lebih baik dan aman pada kecepatan sesuai rancangannya.
- 2. Jangan gunakan mesin listrik jika sakelar tidak dapat menyalakan dan mematikannya.** Mesin listrik yang tidak dapat dikendalikan dengan sakelarnya adalah berbahaya dan harus diperbaiki.
- 3. Cabut steker dari sumber listrik dan/atau lepas paket baterai, jika dapat dilepas, dari mesin listrik sebelum melakukan penyetulan apa pun, mengganti aksesoris, atau menyimpan mesin listrik.** Langkah keselamatan preventif tersebut mengurangi risiko hidupnya mesin secara tak sengaja.
- 4. Simpan mesin listrik jauh dari jangkauan anak-anak dan jangan biarkan orang yang tidak paham mengenai mesin listrik tersebut atau petunjuk ini menggunakan mesin listrik.** Mesin listrik sangat berbahaya di tangan pengguna yang tak terlatih.
- 5. Rawatlah mesin listrik dan aksesoris. Periksa apakah ada komponen bergerak yang tidak lurus atau macet, komponen yang pecah, dan kondisi-kondisi lain yang dapat memengaruhi pengoperasian mesin listrik. Jika rusak, perbaiki mesin listrik terlebih dahulu sebelum digunakan.** Banyak kecelakaan disebabkan oleh kurangnya pemeliharaan mesin listrik.
- 6. Jaga agar mesin pemotong tetap tajam dan bersih.** Mesin pemotong yang terawat baik dengan mata pemotong yang tajam tidak mudah macet dan lebih mudah dikendalikan.
- 7. Gunakan mesin listrik, aksesoris, dan mata mesin, dll. sesuai dengan petunjuk ini, dengan memperhitungkan kondisi kerja dan jenis pekerjaan yang dilakukan.** Penggunaan mesin listrik untuk penggunaan yang lain dari peruntukan dapat menimbulkan situasi berbahaya.
- 8. Jagalah agar gagang dan permukaan pegangan tetap kering, bersih, dan bebas dari minyak dan pelumas.** Gagang dan permukaan pegangan yang licin tidak mendukung keamanan penanganan dan pengendalian mesin dalam situasi-situasi tak terduga.
- 9. Ketika menggunakan mesin, jangan menggunakan sarung tangan kain yang dapat tersangkut.** Sarung tangan kain yang tersangkut pada komponen bergerak dapat mengakibatkan cedera pada pengguna.

Penggunaan dan pemeliharaan mesin bertenaga baterai

- 1. Isi ulang baterai hanya dengan pengisi daya yang ditentukan oleh pabrik.** Pengisi daya yang cocok untuk satu jenis paket baterai dapat menimbulkan risiko kebakaran ketika digunakan untuk paket baterai yang lain.
- 2. Gunakan mesin listrik hanya dengan paket baterai yang telah ditentukan secara khusus.** Penggunaan paket baterai lain dapat menimbulkan risiko cedera dan kebakaran.
- 3. Ketika paket baterai tidak digunakan, jauhkan dari benda logam lain, seperti penjepit kertas, uang logam, kunci, paku, sekrup atau benda logam kecil lainnya, yang dapat menghubungkan satu terminal ke terminal lain.** Hubungan singkat terminal baterai dapat menyebabkan luka bakar atau kebakaran.
- 4. Pemakaian yang salah, dapat menyebabkan keluarnya cairan dari baterai; hindari kontak. Jika terjadi kontak secara tidak sengaja, bilas dengan air. Jika cairan mengenai mata, cari bantuan medis.** Cairan yang keluar dari baterai bisa menyebabkan iritasi atau luka bakar.
- 5. Jangan menggunakan paket baterai atau mesin yang sudah rusak atau telah diubah.** Baterai yang rusak atau telah diubah dapat menyebabkan hal-hal yang tidak dapat diprediksi yang dapat menyebabkan kebakaran, ledakan atau risiko cedera.
- 6. Jangan membiarkan paket baterai atau mesin dekat dengan api atau suhu yang berlebihan.** Paparan api atau suhu di atas 130 °C dapat menyebabkan ledakan.
- 7. Ikuti semua petunjuk pengisian daya dan jangan mengisi daya paket baterai atau mesin di luar rentang suhu yang ditentukan di panduan.** Mengisi daya secara tidak tepat atau pada suhu di luar rentang yang ditentukan dapat merusak baterai dan meningkatkan risiko kebakaran.

Servis

- 1. Berikan mesin listrik untuk diperbaiki hanya kepada oleh teknisi yang berkualifikasi dengan menggunakan hanya suku cadang pengganti yang serupa.** Hal ini akan menjamin terjaminnya keamanan mesin listrik.
- 2. Jangan pernah memperbaiki paket baterai yang sudah rusak.** Perbaikan paket baterai harus dilakukan hanya oleh produsen atau penyedia servis resmi.
- 3. Patuhi petunjuk pelumasan dan penggantian aksesoris.**

Peringatan keselamatan Kunci Ratchet Tanpa Kabel

- 1. Pegang mesin listrik pada permukaan genggam yang terisolasi saat melakukan pekerjaan bila pengencang mungkin bersentuhan dengan kawat tersembunyi.** Pengencang yang menyentuh kawat "hidup" dapat menyebabkan bagian logam pada mesin teraliri arus listrik dan menyengat pengguna.
- 2. Pegang mesin kuat-kuat.**

3. Selalu pastikan Anda memiliki pijakan kuat. Pastikan tidak ada orang di bawah Anda ketika menggunakan mesin di lokasi tinggi.
4. Kenakan pelindung telinga.
5. Periksa soket hentam dengan seksama terhadap adanya keausan, keretakan atau kerusakan sebelum pemasangan.
6. Jauhkan tangan dari bagian yang berputar.
7. Jangan menyentuh kepala ratchet, soket hentam, baut, mur, atau benda kerja sesaat setelah pengoperasian dalam waktu lama. Suhunya mungkin masih sangat panas dan dapat membakar kulit Anda.
8. Jangan memaku, memotong, menghancurkan, melempar, menjatuhkan kartrid baterai, atau memukulkan benda keras ke kartrid baterai. Tindakan tersebut dapat menimbulkan api, panas berlebih, atau ledakan.
9. Jangan menggunakan baterai yang rusak.
10. **Baterai litium-ion yang disertakan sesuai dengan persyaratan Perundangan Makanan Berbahaya.** Harus ada pengawasan untuk pengangkutan komersial misalnya oleh pihak ketiga, ekspeditor, persyaratan khusus terhadap pengemasan dan pelabelan. Diperlukan adanya konsultasi dengan ahli mengenai material berbahaya untuk persiapan barang yang akan dikirimkan. Perhatikan pula peraturan nasional yang lebih terperinci yang mungkin ada. Beri perekat atau tutupi bagian yang terbuka dan kemasi baterai dengan cara yang tidak akan menimbulkan pergeseran dalam pengemasan.

SIMPAN PETUNJUK INI.

⚠️ PERINGATAN: JANGAN biarkan kenyamanan atau terbiasanya Anda dengan produk (karena penggunaan berulang) mengurangi kepatuhan yang ketat terhadap aturan keselamatan untuk produk yang terkait.

PENYALAHGUNAAN atau kelalaian mematuhi kaidah keselamatan yang tertera dalam petunjuk ini dapat menyebabkan cedera badan serius.

Petunjuk keselamatan penting untuk kartrid baterai

1. Sebelum menggunakan kartrid baterai, bacalah semua petunjuk dan penandaan pada (1) pengisi daya baterai, (2) baterai, dan (3) produk yang menggunakan baterai.
2. Jangan membongkar atau memodifikasi kartrid baterai. Tindakan tersebut dapat menimbulkan api, panas berlebih, atau ledakan.
3. Jika waktu beroperasinya menjadi sangat singkat, segera hentikan penggunaan. Hal tersebut dapat menimbulkan risiko panas berlebih, kemungkinan mengalami luka bakar atau bahkan terjadi ledakan.
4. Jika elektrolit mengenai mata Anda, basuh dengan air bersih dan segera cari pertolongan medis. Hal tersebut dapat mengakibatkan hilangnya kemampuan penglihatan Anda.
5. Jangan menghubungkan terminal kartrid baterai:
 - (1) Jangan menyentuh terminal dengan bahan penghantar listrik apa pun.
 - (2) Hindari menyimpan kartrid baterai pada wadah yang berisi benda logam lain seperti paku, uang logam, dsb.
 - (3) Jangan membiarkan baterai terkena air atau keujanan.
 Hubungan singkat baterai dapat menyebabkan aliran arus listrik yang besar, panas berlebih, kemungkinan mengalami luka bakar dan bahkan kerusakan pada baterai.
6. Jangan menyimpan dan menggunakan mesin dan kartrid baterai pada lokasi dengan suhu yang bisa mencapai atau melebihi 50 °C (122 °F).
7. Jangan membuang kartrid baterai di tempat pembakaran sampah walaupun benar-benar rusak atau tidak bisa digunakan sama sekali. Kartrid baterai bisa meledak jika terbakar.
11. **Ketika membuang kartrid baterai, lepaskan dari mesin dan buang ke tempat yang aman. Patuhi peraturan setempat yang berkaitan dengan pembuangan baterai.**
12. **Gunakan baterai hanya dengan produk yang ditentukan oleh Makita.** Memasang baterai pada produk yang tidak sesuai dapat menyebabkan kebakaran, kelebihan panas, ledakan, atau kebocoran elektrolit.
13. **Jika mesin tidak digunakan dalam jangka waktu yang lama, baterai harus dilepas dari mesin.**
14. **Selama dan setelah digunakan, kartrid baterai mungkin menyimpan panas yang dapat menyebabkan luka bakar atau luka bakar suhu rendah.** Perhatikan cara memegang kartrid baterai yang masih panas.
15. **Jangan langsung menyentuh terminal mesin setelah digunakan karena suhunya mungkin cukup panas untuk menyebabkan luka bakar.**
16. **Jangan biarkan serpihan, debu, atau tanah menempel di terminal, lubang, dan alur kartrid baterai.** Hal tersebut dapat mengakibatkan kinerja buruk atau kerusakan mesin maupun kartrid baterai.
17. **Kecuali jika mesin mendukung penggunaan di dekat saluran listrik bertegangan tinggi, jangan gunakan kartrid baterai di dekat saluran listrik bertegangan tinggi.** Hal tersebut dapat mengakibatkan kegagalan fungsi atau kerusakan mesin maupun kartrid baterai.
18. **Jauhkan baterai dari jangkauan anak-anak.**

SIMPAN PETUNJUK INI.

⚠️ PERHATIAN: Gunakan baterai asli Makita. Penggunaan baterai Makita yang tidak asli, atau baterai yang sudah diubah, akan mengakibatkan baterai mudah terbakar, cedera dan kerusakan. Akan menghilangkan garansi Makita pada pengisi daya dan alat Makita.

Tip untuk menjaga agar umur pemakaian baterai maksimum

1. Isi ulang kartrid baterai sebelum habis sama sekali. Selalu hentikan penggunaan mesin dan ganti kartrid baterai jika Anda melihat bahwa mesin kurang tenaga.
2. Jangan pernah mengisi ulang kartrid baterai yang sudah diisi penuh. Pengisian ulang yang berlebih memperpendek umur pemakaian baterai.
3. Isi ulang kartrid baterai pada suhu ruangan 10 °C - 40 °C. Biarkan kartrid baterai yang panas menjadi dingin terlebih dahulu sebelum diisi ulang.
4. Saat kartrid baterai tidak digunakan, lepaskan dari mesin atau pengisi daya.
5. Isi ulang daya kartrid baterai jika Anda tidak menggunakannya untuk jangka waktu yang lama (lebih dari enam bulan).

DESKRIPSI FUNGSI

⚠️PERHATIAN: Selalu pastikan bahwa mesin dimatikan dan kartrid baterai dilepas sebelum menyatel atau memeriksa kerja mesin.

Memasang atau melepas baterai

⚠️PERHATIAN: Selalu matikan mesin sebelum memasang atau melepas kartrid baterai.

⚠️PERHATIAN: Pegang mesin dan kartrid baterai kuat-kuat saat memasang atau melepas kartrid baterai. Kelalaian untuk memegang mesin dan kartrid baterai kuat-kuat bisa menyebabkan keduanya tergelincir dari tangan Anda dan mengakibatkan kerusakan pada mesin dan kartrid baterai dan cedera diri.

- **Gbr.1:** 1. Indikator berwarna merah 2. Tombol 3. Kartrid baterai

Untuk melepas kartrid baterai, geser dari mesin sambil menggeser tombol pada bagian depan kartrid.

Untuk memasang kartrid baterai, sejajarkan lidah kartrid baterai dengan alur pada rumah dan masukkan ke dalam tempatnya. Masukkan seluruhnya sampai terkunci pada tempatnya dan terdengar bunyi klik kecil. Jika Anda bisa melihat indikator berwarna merah pada sisi atas tombol, berarti tidak terkunci sepenuhnya.

⚠️PERHATIAN: Selalu pasang kartrid baterai sepenuhnya sampai indikator berwarna merah tidak terlihat. Jika tidak, bisa terlepas dari mesin secara tidak sengaja, menyebabkan luka pada Anda atau orang di sekitar Anda.

⚠️PERHATIAN: Jangan memasang kartrid baterai secara paksa. Jika kartrid tidak bergeser dengan mudah, berarti tidak dimasukkan dengan benar.

Sistem perlindungan mesin / baterai

Mesin ini dilengkapi dengan sistem perlindungan mesin/ baterai. Sistem ini secara otomatis memutus daya untuk memperpanjang usia pakai mesin dan baterai. Mesin akan berhenti secara otomatis saat dioperasikan jika mesin atau baterai mengalami salah satu dari kondisi berikut ini:

Perlindungan kelebihan beban

Perlindungan ini bekerja saat mesin dijalankan dengan cara yang menyebabkannya tertariknya arus tinggi yang tidak normal. Dalam situasi ini, matikan mesin dan hentikan pekerjaan yang menyebabkan mesin mengalami kelebihan beban. Kemudian, nyalakan mesin untuk kembali melanjutkan pekerjaan.

Perlindungan panas berlebih

Apabila mesin terlalu panas, mesin akan berhenti secara otomatis dan lampu akan mulai berkedip. Dalam situasi ini, biarkan mesin dan baterai dingin terlebih dahulu sebelum dinyalakan kembali.

Perlindungan pengisian daya berlebih

Perlindungan ini bekerja saat kapasitas baterai yang tersisa rendah. Dalam situasi ini, lepaskan baterai dari mesin dan isi ulang daya baterai.

Mengindikasikan kapasitas baterai yang tersisa

Hanya untuk kartrid baterai dengan indikator

- **Gbr.2:** 1. Lampu indikator 2. Tombol pemeriksaan

Tekan tombol pemeriksaan pada kartrid baterai untuk melihat kapasitas baterai yang tersisa. Lampu indikator menyala selama beberapa detik.

Lampu indikator			Kapasitas yang tersisa
Menyala	Mati	Berkedip	
■	□	◐	75% hingga 100%
■	■	□	50% hingga 75%
■	■	□	25% hingga 50%
■	□	□	0% hingga 25%
◐	□	□	Isi ulang baterai.
■	■	□	Baterai mungkin sudah rusak.
□	□	■	

CATATAN: Tergantung kondisi penggunaan dan suhu lingkungannya, penunjukkan mungkin saja sedikit berbeda dari kapasitas sebenarnya.

CATATAN: Lampu indikator pertama (ujung kiri) akan berkedip ketika sistem perlindungan mesin bekerja.

Kerja sakelar


PERHATIAN: Sebelum memasang kartrid baterai pada mesin, pastikan tuas sakelar berfungsi dengan baik dan kembali ke posisi "MATI" saat dilepas.


Untuk menjalankan mesin, cukup tarik tuas sakelar. Kecepatan mesin akan ditingkatkan saat tuas sakelar ditekan lebih dalam. Lepaskan tuas sakelar untuk berhenti.

► **Gbr.3:** 1. Tuas sakelar


CATATAN: Mesin akan berhenti secara otomatis jika Anda tetap menarik pelatuk sakelar selama kurang lebih 1 menit.

Untuk mencegah tuas sakelar tertarik dengan tidak sengaja, tersedia tuas kunci.

Ketika tuas kunci berada pada posisi terkunci , tuas sakelar tidak berfungsi.

Ketika tuas kunci berada pada posisi tidak terkunci , tuas sakelar dapat berfungsi.

► **Gbr.4:** 1. Tuas kunci 2. Kunci 3. Tidak terkunci

PERHATIAN: Saat mesin tidak digunakan, selalu geser tuas kunci ke posisi terkunci .

Menyalakan lampu depan

PERHATIAN: Jangan melihat lampu atau sumber cahaya secara langsung.

Tarik tuas saklar untuk menyalakan lampu. Lampu tetap menyala selama tuas saklar ditarik. Lampu akan padam secara otomatis sekitar 10 detik setelah tuas sakelar dilepas.

► **Gbr.5:** 1. Tuas sakelar 2. Lampu

PEMBERITAHUAN: Saat mesin mengalami kelebihan panas, lampu akan berkedip. Dinginkan mesin sepenuhnya sebelum mengoperasikan mesin lagi.

PEMBERITAHUAN: Gunakan kain kering untuk mengelap kotoran dari lensa lampu. Hati-hati jangan sampai menggores lensa lampu, atau hal tersebut dapat menurunkan tingkat penerangannya.

Kerja tuas pembalik

PERHATIAN: Selalu periksa arah putaran sebelum penggunaan.

PERHATIAN: Gunakan tuas pembalik hanya setelah mesin benar-benar berhenti. Mengubah arah putaran sebelum mesin berhenti dapat merusak mesin.

Mesin ini memiliki tuas pembalik untuk mengubah arah putaran. Pindahkan tuas pembalik ke sisi A untuk putaran searah jarum jam atau sisi B untuk putaran berlawanan arah jarum jam.

Pastikan tuas pembalik berputar sepenuhnya hanya dengan sekali klik.

► **Gbr.6:** 1. Tuas pembalik

PERAKITAN

PERHATIAN: Selalu pastikan bahwa mesin dimatikan dan kartrid baterai dilepas sebelum melakukan pekerjaan apa pun pada mesin.

Memasang atau melepas adaptor soket

Untuk memasang adaptor soket, dorong soket ke dalam lubang adaptor sampai terkunci pada tempatnya.

► **Gbr.7:** 1. Adaptor soket 2. Lubang adaptor

Untuk melepas adaptor soket, masukkan stik seperti obeng ke dalam sisi belakang adaptor soket, lalu ketuk secara perlahan.

► **Gbr.8:** 1. Adaptor soket 2. Obeng

PEMBERITAHUAN: Selama prosedur pelepasan, tetap pegang adaptor soket agar tidak jatuh dari mesin.

Memasang atau melepas soket

PERHATIAN: Sebelum pekerjaan, pastikan jika soket telah terkunci dengan sempurna pada adaptor soket. Soket dapat mengakibatkan cedera jika tidak selesai dipasang.

PEMBERITAHUAN: Selalu gunakan ukuran soket yang tepat untuk baut/mur. Ukuran soket yang tidak tepat akan mengakibatkan torsi pengencangan yang tidak konsisten dan/atau merusak baut/mur.

Untuk memasang soket, dorong soket ke adaptor soket sampai terkunci pada tempatnya. Untuk melepasnya, cukup tarik soket.

► **Gbr.9:** 1. Soket 2. Adaptor soket

PENGUNAAN

⚠️ PERHATIAN: Pegang mesin kuat-kuat terutama saat baut/mur mencapai posisi terpasang. Soket berhenti berputar dan reaksi motor memunculkan lecet balik untuk memutar mesin.

PEMBERITAHUAN: Tahan mesin pada posisi tegak lurus terhadap baut/mur.

Pegang mesin kuat-kuat dan posisikan soket pada baut/mur. Nyalakan mesin dan kencangkan. Saat baut/mur mencapai posisi terpasang, mesin berhenti secara otomatis.

► **Gbr.10**

Mesin juga dapat berfungsi tanpa soket. Lubang adaptor dapat mengencangkan M8 (5/16") baut/mur. (berfungsi sebagai soket 13 mm)

► **Gbr.11**

Menggunakan sebagai mesin tangan

Anda dapat menggunakan mesin sebagai kunci ratchet tangan dengan memutar mesin ke arah tanda panah pada gambar. Khususnya saat mengendurkan baut/mur yang kaku, kendurkan terlebih dahulu dengan tangan lalu putar mesin.

► **Gbr.12**

PEMBERITAHUAN: Torsi pengencangan yang berlebihan dapat merusak baut/mur, soket, atau alat.

PERAWATAN

⚠️ PERHATIAN: Selalu pastikan bahwa mesin dimatikan dan kartrid baterai dilepas sebelum melakukan pemeriksaan atau perawatan.

PEMBERITAHUAN: Jangan sekali-kali menggunakan bensin, tiner, alkohol, atau bahan sejenisnya. Penggunaan bahan demikian dapat menyebabkan perubahan warna, perubahan bentuk atau timbulnya retakan.

Untuk menjaga KEAMANAN dan KEANDALAN mesin, perbaikan, perawatan atau penyetelan lainnya harus dilakukan oleh Pusat Layanan Resmi atau Pabrik Makita; selalu gunakan suku cadang pengganti buatan Makita.

AKSESORI PILIHAN

⚠️ PERHATIAN: Dianjurkan untuk menggunakan aksesori atau perangkat tambahan ini dengan mesin Makita Anda yang ditentukan dalam petunjuk ini. Penggunaan aksesori atau perangkat tambahan lain bisa menyebabkan risiko cedera pada manusia. Hanya gunakan aksesori atau perangkat tambahan sesuai dengan peruntukannya.

Jika Anda memerlukan bantuan lebih rinci berkenaan dengan aksesori ini, tanyakan pada Pusat Layanan Makita terdekat.

- Soket
- Adaptor soket
- Baterai dan pengisi daya asli buatan Makita

CATATAN: Beberapa item dalam daftar tersebut mungkin sudah termasuk dalam paket mesin sebagai aksesori standar. Hal tersebut dapat berbeda dari satu negara ke negara lainnya.

SPEKIFIKASI

Model:		DWR180
Kapasiti pengikat (dengan penyetatan semula manual)	Bolt standard	M5 - M12
	Bolt tegangan tinggi	M5 - M10
Pemacu segi empat sama		6.35 mm, 9.5 mm
Kelajuan tanpa beban		0 - 800 min ⁻¹
Tork pengikat maksimum		47.5 N•m
Panjang keseluruhan		369 mm
Voltan terkadar		D.C. 18 V
Berat bersih		1.2 - 1.6 kg

- Disebabkan program penyelidikan dan pembangunan kami yang berterusan, spesifikasi yang terkandung di dalam ini adalah tertakluk kepada perubahan tanpa notis.
- Spesifikasi dan kartrij bateri mungkin berbeza mengikut negara.
- Berat mungkin berbeza bergantung kepada pemasangan, termasuk kartrij bateri. Kombinasi paling ringan dan paling berat, mengikut Prosedur EPTA 01/2014, ditunjukkan di dalam jadual.

Kartrij bateri dan pengecas yang boleh digunakan

Kartrij bateri	BL1815N / BL1820B / BL1830B / BL1840B / BL1850B / BL1860B
Pengecas	DC18RC / DC18RD / DC18RE / DC18SD / DC18SE / DC18SF / DC18SH

- Sesetengah kartrij bateri dan pengecas yang disenaraikan di atas mungkin tidak tersedia bergantung pada kawasan kediaman anda.

⚠️ AMARAN: Hanya menggunakan kartrij bateri dan pengecas yang disenaraikan di atas. Penggunaan mana-mana kartrij bateri dan pengecas lain boleh menyebabkan kecederaan dan/atau kebakaran.

Simbol

Berikut menunjukkan simbol-simbol yang boleh digunakan untuk alat ini. Pastikan anda memahami maksudnya sebelum menggunakan.



Baca manual arahan.



Hanya untuk negara-negara EU
Jangan lupuskan peralatan elektrik atau pek bateri bersama-sama bahan sisa rumah!
Dalam mematuhi Arahan-Arahan Eropah mengenai Sisa Peralatan Elektrik dan Elektronik dan Bateri dan Akumulator dan Sisa Bateri dan Akumulator serta pelaksanaan mereka mengikut undang-undang negara, peralatan elektrik dan bateri dan pek-pek bateri yang telah mencapai akhir hayatnya mesti dikumpul secara berasingan dan dikembalikan ke kemudahan kitar semula yang bersesuaian dengan alam sekitar.

Tujuan penggunaan

Alat bertujuan untuk mengikat bolt dan nat.

AMARAN KESELAMATAN

Amaran keselamatan umum alat kuasa

⚠️ AMARAN: Baca semua amaran keselamatan, arahan, ilustrasi dan spesifikasi yang disediakan dengan alat kuasa ini. Kegagalan mengikut amaran dan arahan boleh menyebabkan kejutan elektrik, kebakaran dan/atau kecederaan serius.

Simpan semua amaran dan arahan untuk rujukan masa depan.

Istilah "alat kuasa" dalam amaran merujuk kepada alat kuasa yang menggunakan tenaga elektrik (kabel) atau alat kuasa yang menggunakan bateri (tanpa kord).

Keselamatan kawasan kerja

1. **Pastikan kerja bersih dan terang.** Kawasan berselerak atau gelap mengundang kemalangan.

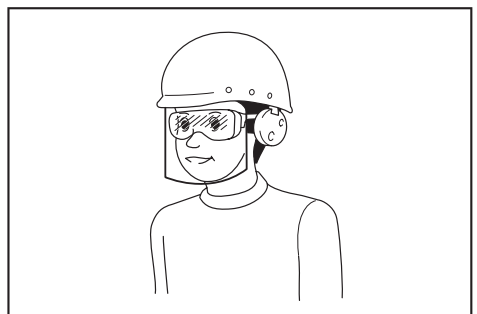
2. **Jangan kendalikan alat kuasa dalam keadaan yang mudah meletup, seperti dalam kehadiran cecair, gas atau habuk yang mudah terbakar.** Alat kuasa menghasilkan percikan api yang boleh menyalakan debu atau wasap.
3. **Jauhkan kanak-kanak dan orang ramai semasa mengendalikan alat kuasa.** Gangguan boleh menyebabkan anda hilang kawalan.
3. **Elakkan permulaan yang tidak disengajakan.** Pastikan suis ditutup sebelum menyambungkan kepada sumber kuasa dan/atau pek bateri, semasa mengangkat atau membawa alat. Membawa alat kuasa dengan jari anda pada suis atau menahan alat kuasa dengan suis pada kedudukan hidup mengundurkan kemalangan.
4. **Alihkan sebarang kunci atau sepana pelaras sebelum menghidupkan alat kuasa.** Sepana atau kunci yang ditinggalkan pada bahagian berputar alat kuasa boleh menyebabkan kecederaan diri.

Keselamatan elektrik

1. **Palam alat kuasa mesti sepadan dengan soket. Jangan ubah suai palam dalam apa cara sekalipun. Jangan gunakan sebarang palam penyesuai dengan alat kuasa terbumi.** Palam yang tidak diubah suai dan soket yang sepadan akan mengurangkan risiko kejutan elektrik.
2. **Elakkan sentuhan badan dengan permukaan terbumi, seperti paip, radiator, dapur dan peti sejuk.** Terdapat peningkatan risiko kejutan elektrik jika elektrik terbumi terkena badan anda.
3. **Jangan biarkan alat kuasa terkena hujan atau basah.** Air yang memasuki alat kuasa akan meningkatkan risiko kejutan elektrik.
4. **Jangan salah gunakan kord. Jangan gunakan kord untuk membawa, menarik atau mencabut palam alat kuasa. Jauhkan kord dari haba, minyak, bucu tajam atau bahagian yang bergerak.** Kord yang rosak atau tersimpul meningkatkan risiko kejutan elektrik.
5. **Semasa mengendalikan alat kuasa di luar, gunakan kord sambungan yang bersesuaian untuk kegunaan luar.** Penggunaan kord yang sesuai untuk kegunaan luar mengurangkan risiko kejutan elektrik.
6. **Sekiranya pengendalian alat kuasa di lokasi lembap tidak dapat dielakkan, gunakan bekalan peranti arus sisa (RCD) yang dilindungi.** Penggunaan RCD mengurangkan risiko kejutan elektrik.
7. **Alat kuasa boleh menghasilkan medan elektromagnetik (EMF) yang tidak berbahaya kepada pengguna.** Walau bagaimanapun, pengguna perentak jantung atau peranti perubatan yang serupa harus menghubungi pembuat peranti mereka dan/atau doktor untuk nasihat sebelum mengendalikan alat kuasa ini.
5. **Jangan lampau jangka. Jaga pijakan dan keseimbangan yang betul pada setiap masa.** Ini membolehkan kawalan alat kuasa yang lebih baik dalam situasi yang tidak dijangka.
6. **Berpakaian dengan betul. Jangan pakai pakaian yang longgar atau barang kemas. Jauhkan rambut dan pakaian anda dari bahagian yang bergerak.** Pakaian longgar, barang kemas atau rambut yang panjang boleh terperangkap dalam bahagian yang bergerak.
7. **Jika peranti disediakan untuk sambungan kemudahan pengekstrakan dan pengumpulan habuk, pastikan ia disambung dan digunakan dengan betul.** Penggunaan pengumpulan habuk boleh mengurangkan bahaya berkaitan habuk.
8. **Jangan biarkan kebiasaan daripada kekerapan penggunaan alat membuat anda berpuas hati dan mengabaikan prinsip keselamatan alat.** Kecuaian boleh menyebabkan kecederaan serius dalam sekelip mata.
9. **Sentiasa pakai gogal pelindung untuk melindungi mata anda daripada kecederaan apabila menggunakan alat kuasa. Gogal mestilah mematuhi ANSI Z87.1 di AS, EN 166 di Eropah, atau AS/NZS 1336 di Australia/ New Zealand. Di Australia/New Zealand, undang-undang mengarahkan untuk memakai pelindung muka bagi melindungi muka anda, juga.**

Keselamatan diri

1. **Sentiasa berwaspada, perhatikan apa yang anda lakukan dan guna akal budi semasa mengendalikan alat kuasa. Jangan gunakan alat kuasa semasa anda letih atau di bawah pengaruh dadah, alkohol atau ubat.** Kelekaan seketika semasa mengendalikan alat kuasa boleh menyebabkan kecederaan diri yang serius.
2. **Gunakan peralatan pelindung diri. Sentiasa pakai pelindung mata.** Peralatan pelindung seperti topeng debu, kasut keselamatan tak mudah tergelincir, topi keselamatan atau pelindung pendengaran yang digunakan untuk keadaan yang sesuai akan mengurangkan kecederaan diri.



Menjadi tanggungjawab majikan untuk menguatkuasa penggunaan peralatan perlindungan keselamatan yang bersesuaian oleh pengendali alat dan oleh orang lain dalam kawasan bekerja semasa.

Penggunaan dan penjagaan alat kuasa

1. **Jangan gunakan alat kuasa dengan kasar. Gunakan alat kuasa yang betul untuk penggunaan anda.** Alat kuasa yang betul akan melakukan tugas dengan lebih baik dan lebih selamat pada kadar mana ia direka cipta.
2. **Jangan gunakan alat kuasa jika suis tidak berfungsi untuk menghidupkan dan mematikannya.** Alat kuasa yang tidak dapat dikawal dengan suis adalah berbahaya dan mesti dibaiki.
3. **Cabut palam dari sumber kuasa dan/atau keluarkan pek bateri, jika boleh ditanggalkan, dari alat kuasa sebelum membuat sebarang pelarasan, menukar aksesori, atau menyimpan alat kuasa.** Langkah-langkah keselamatan pencegahan sedemikian mengurangkan risiko memulakan alat kuasa secara tidak sengaja.
4. **Simpan alat kuasa yang tidak digunakan jauh dari jangkauan kanak-kanak dan jangan biarkan orang yang tidak biasa dengan alat kuasa atau arahan ini untuk mengendalikan alat kuasa.** Alat kuasa adalah berbahaya di tangan pengguna yang tidak terlatih.
5. **Menyelenggara alat kuasa dan aksesori. Periksa salah jajaran atau ikatan pada bahagian yang bergerak, bahagian yang pecah dan apa-apa keadaan lain yang boleh menjejaskan operasi alat kuasa. Jika rosak, baiki alat kuasa sebelum digunakan.** Kebanyakan kemalangan adalah disebabkan oleh alat kuasa yang tidak dijaga dengan baik.
6. **Pastikan alat pemotong tajam dan bersih.** Alat pemotong yang dijaga dengan betul dengan hujung pemotong yang tajam mempunyai kemungkinan yang rendah untuk terikat dan lebih mudah dikendalikan.
7. **Gunakan alat kuasa, aksesori dan alat bit dan sebagainya mengikut arahan ini dengan mengambil kira keadaan kerja dan kerja yang perlu dilakukan.** Penggunaan alat kuasa untuk operasi yang berbeza dari yang dimaksudkan boleh menyebabkan keadaan berbahaya.
8. **Pastikan pemegang dan permukaan pegangan kering, bersih dan bebas dari minyak dan gris.** Pemegang dan permukaan pegangan yang licin tidak membolehkan pengendalian dan kawalan selamat bagi alat dalam situasi yang tidak dijangka.
9. **Apabila menggunakan alat, jangan pakai sarung tangan kerja kain yang mungkin boleh kusut.** Kekusutan sarung tangan kerja kain pada bahagian yang bergerak boleh menyebabkan kecederaan diri.

Penggunaan dan penjagaan alat bateri

1. **Cas semula dengan pengecas yang ditentukan oleh pengeluar sahaja.** Pengecas yang sesuai untuk satu jenis pek bateri mungkin menimbulkan risiko kebakaran apabila digunakan dengan pek bateri lain.
2. **Gunakan alat kuasa dengan pek bateri yang ditentukan secara khusus sahaja.** Penggunaan mana-mana pek bateri lain mungkin menimbulkan risiko kecederaan dan kebakaran.

3. **Apabila pek bateri tidak digunakan, jauhkannya daripada objek besi lain, seperti klip kertas, duit syiling, paku, skru atau objek besi kecil lain, yang boleh membuat sambungan dari satu terminal ke yang lain.** Memintas terminal bateri bersama-sama mungkin menyebabkan lecuran atau kebakaran.
4. **Di bawah keadaan kasar, cecair mungkin dikeluarkan daripada bateri; elakkan sentuhan. Jika tersentuh secara tidak sengaja, siram dengan air. Jika cecair terkena mata, dapatkan bantuan perubatan di samping siraman air.** Cecair yang dikeluarkan dari bateri mungkin menyebabkan kegatalan atau lecuran.
5. **Jangan gunakan pek bateri atau alat yang rosak atau diubah suai.** Bateri yang rosak atau diubah suai mungkin menunjukkan perilaku yang tidak dijangka menyebabkan kebakaran, letupan atau risiko kecederaan.
6. **Jangan dedahkan pek bateri atau alat kepada api atau suhu yang berlebihan.** Pendedahan kepada api atau suhu melebihi 130 °C mungkin menyebabkan letupan.
7. **Ikut semua arahan pengecasan dan jangan cas pek bateri atau alat di luar julat suhu yang ditetapkan dalam arahan.** Mengecas dengan tidak betul atau pada suhu di luar julat yang dinyatakan mungkin merosakkan bateri dan meningkatkan risiko kebakaran.

Servis

1. **Pastikan alat kuasa anda diservis oleh orang yang berkelayakan dengan mana menggunakan alat ganti yang sama.** Ini akan memastikan keselamatan alat kuasa dapat dikekalkan.
2. **Jangan servis pek bateri yang telah rosak.** Servis pek bateri hanya boleh dilakukan oleh pengeluar atau penyedia servis yang sah.
3. **Ikut arahan untuk melincir dan menukar aksesori.**

Amanan keselamatan Perengkuh Sehalu Tanpa Kord

1. **Pegang alat kuasa dengan permukaan mencengkam terbebat apabila melakukan operasi yang pengikat boleh tersentuh wayar tersembunyi.** Pengikat yang bersentuhan wayar "hidup" mungkin menyebabkan bahagian logam terdedah alat kuasa "hidup" dan boleh memberi kejutan elektrik kepada pengendali.
2. **Pegang alat dengan kukuh.**
3. **Sentiasa pastikan anda mempunyai tapak berpijak yang kukuh.** Pastikan tiada siapa di bawah apabila menggunakan alat di lokasi yang tinggi.
4. **Pakai pelindung telinga.**
5. **Periksa soket hentaman dengan berhati-hati untuk kehausan, retak atau kerosakan sebelum dipasang.**
6. **Jauhkan tangan daripada bahagian berpusing.**

7. Jangan sentuh kepala sehalo, soket hentaman, bolt, nat atau bahan kerja serta-merta selepas operasi yang lama. Ia mungkin sangat panas dan boleh melecurkan kulit anda.

SIMPAN ARAHAN INI.

⚠️AMARAN: JANGAN biarkan keselesaan atau kebiasaan dengan produk (daripada penggunaan berulang) menggantikan pematuhan ketat terhadap peraturan keselamatan untuk produk yang ditetapkan.

SALAH GUNA atau kegagalan mematuhi peraturan-peraturan keselamatan yang dinyatakan dalam manual arahan ini boleh menyebabkan kecederaan diri yang serius.

Arahan keselamatan penting untuk kartrij bateri

1. Sebelum menggunakan kartrij bateri, baca semua arahan dan tanda amaran pada (1) pengecas bateri, (2) bateri, dan (3) produk menggunakan bateri.
2. Jangan buka atau cabut kartrij bateri. Ia boleh mengakibatkan kebakaran, haba berlebihan, atau letupan.
3. Jika masa operasi menjadi sangat pendek, berhenti operasi serta merta. Ia mungkin menyebabkan risiko pemanasan lampau, melecur bahkan letupan.
4. Jika elektrolit masuk ke dalam mata anda, bilas mata dengan air jernih dan dapatkan rawatan perubatan serta merta. Ia mungkin menyebabkan kehilangan penglihatan.
5. Jangan pintaskan kartrij bateri:
 - (1) Jangan sentuh terminal dengan bahan berkonduksi.
 - (2) Elakkan menyimpan kartrij bateri dalam bekas bersama-sama objek besi lain seperti paku, duit syiling, dll.
 - (3) Jangan dedahkan kartrij bateri kepada air atau hujan.Pintasan bateri boleh menyebabkan aliran kuasa yang besar, pemanasan lampau, melecur dan juga kerosakan.
6. Jangan simpan dan gunakan alat dan kartrij bateri di lokasi yang suhunya mungkin mencapai atau melebihi 50 °C (122 °F).
7. Jangan bakar kartrij bateri walaupun jika ia rosak teruk atau haus sepenuhnya. Kartrij bateri boleh meletup dalam kebakaran.
8. Jangan paku, potong, pecahkan, buang, jatuhkan kartrij bateri, atau tekan objek keras pada kartrij bateri. Perbuatan sedemikian boleh mengakibatkan kebakaran, haba berlebihan, atau letupan.
9. Jangan gunakan bateri yang rosak.

10. **Bateri litium ion yang terkandung adalah tertakluk kepada keperluan Perundangan Barangan Berbahaya.**

Bagi pengangkutan komersil cth. oleh pihak ketiga, ejen penghantar, keperluan khas pada pembungkusan dan pelabelan mestilah diperhatikan.

Bagi persediaan item yang dihantar, berunding dengan pakar bahan berbahaya adalah diperlukan. Sila juga perhatikan sebolehnya peraturan kebangsaan yang lebih terperinci. Lekatkan atau balut bahagian terbuka dan pek bateri supaya ia tidak bergerak dalam pembungkusan.

11. Apabila melupuskan kartrij bateri, keluarkan ia daripada alat dan lupuskan ia di tempat selamat. Ikut peraturan tempatan anda mengenai pelupusan bateri.
12. Gunakan bateri hanya dengan produk yang ditentukan oleh Makita. Memasang bateri kepada produk yang tidak patuh mungkin menyebabkan kebakaran, pemanasan lampau, atau kebocoran elektrolit.
13. Jika alat tidak digunakan untuk tempoh masa yang lama, bateri mesti dikeluarkan daripada alat.
14. Semasa dan selepas penggunaan, kartrij bateri mungkin ada haba yang boleh menyebabkan terbakar atau suhu rendah terbakar. Beri perhatian kepada pengendalian kartrij bateri yang panas.
15. Jangan sentuh terminal alat itu selepas digunakan kerana ia mungkin panas menyebabkan terbakar.
16. Jangan biarkan cip, habuk, atau tanah terperangkap ke dalam terminal, lubang, dan alur kartrij bateri. Ia mungkin menyebabkan prestasi atau pecahan yang buruk dari alat atau kartrij bateri.
17. Melainkan alat ini menyokong penggunaan yang hampir dari talian kuasa elektrik voltan tinggi, jangan gunakan kartrij bateri berhampiran talian kuasa elektrik voltan tinggi. Ia mungkin menyebabkan kerosakan atau pecah pada alat atau kartrij bateri.
18. Jauhkan bateri daripada kanak-kanak.

SIMPAN ARAHAN INI.

⚠️PERHATIAN: Hanya gunakan bateri asli Makita. Penggunaan bateri tidak asli Makita, atau bateri yang telah diubah suai, mungkin menyebabkan bateri meletup menyebabkan kebakaran, kecederaan diri dan kerosakan. Ia juga membatalkan jaminan Makita untuk alat Makita dan pengecas.

Tip untuk mengekalkan hayat bateri maksimum

1. Cas kartrij bateri sebelum ternyahcas sepenuhnya. Sentiasa hentikan operasi alat dan cas kartrij bateri apabila anda menyedari kurang kuasa alat.
2. Jangan cas semula kartrij bateri yang dicas sepenuhnya. Terlebih cas memendekkan hayat servis bateri.

3. **Cas kartrij bateri dengan suhu bilik pada 10 °C - 40 °C (50 °F - 104 °F). Biarkan kartrij bateri yang panas menyejuk sebelum mengecasnya.**
4. **Apabila tidak menggunakan kartrij bateri, tanggalkannya dari alat atau pengecas.**
5. **Cas kartrij bateri jika anda tidak gunakannya untuk tempoh yang lama (lebih daripada enam bulan).**

KETERANGAN FUNGSI

⚠️ PERHATIAN: Sentiasa pastikan alat dimatikan dan kartrij bateri dikeluarkan sebelum menyelaraskan atau menyemak fungsi pada alat.

Memasang atau mengeluarkan kartrij bateri

⚠️ PERHATIAN: Sentiasa matikan alat sebelum memasang atau mengeluarkan kartrij bateri.

⚠️ PERHATIAN: Pegang alat dan kartrij bateri dengan kukuh apabila memasang atau mengeluarkan kartrij bateri. Gagal untuk memegang alat dan kartrij bateri dengan kukuh mungkin menyebabkan mereka terlepas daripada tangan anda dan mengakibatkan kerosakan kepada alat dan kartrij bateri dan kecederaan peribadi.

- **Rajah1:** 1. Penunjuk merah 2. Butang 3. Kartrij bateri

Untuk mengeluarkan kartrij bateri, luncurkan ia daripada alat apabila meluncurkan butang di hadapan kartrij.

Untuk memasang kartrij bateri, selaraskan lidah pada kartrij bateri dengan alur pada perumahan dan gelincirkan ia ke tempatnya. Masukkan ia sepenuhnya sehingga ia terkunci di tempatnya dengan klik kecil. Jika anda boleh melihat penunjuk merah di sisi atas butang, ia tidak dikunci sepenuhnya.

⚠️ PERHATIAN: Sentiasa pasang kartrij bateri sepenuhnya sehingga penunjuk merah tidak boleh dilihat. Jika tidak, ia mungkin jatuh tanpa sengaja daripada alat, menyebabkan kecederaan kepada anda atau seseorang di sekeliling anda.

⚠️ PERHATIAN: Jangan pasang kartrij bateri secara paksa. Jika kartrij tidak meluncur dengan mudah, ia tidak dimasukkan dengan betul.

Sistem perlindungan alat / bateri

Alat dilengkapi dengan sistem perlindungan alat/bateri. Sistem ini memotong kuasa secara automatik untuk memanjangkan hayat alat dan bateri. Alat akan berhenti secara automatik ketika operasi jika alat atau bateri diletakkan di bawah salah satu syarat yang berikut:

Perlindungan lebih beban

Perlindungan ini berlaku apabila alat dikendalikan dalam keadaan yang menyebabkannya menarik aliran tinggi yang tidak normal. Dalam situasi ini, matikan alat dan hentikan penggunaan yang menyebabkan alat menjadi terlebih beban. Kemudian hidupkan alat untuk mula semula.

Perlindungan pemanasan lampau

Apabila alat terlalu panas, alat berhenti secara automatik dan lampu mula berkelip. Dalam situasi ini, biarkan alat dan bateri sejuk sebelum hidupkan alat semula.

Perlindungan lebih nyahcas

Perlindungan ini berlaku apabila kapasiti bateri yang tinggal menjadi rendah. Dalam situasi ini, keluarkan bateri daripada alat dan cas bateri.

Menunjukkan kapasiti bateri yang tinggal

Hanya untuk kartrij bateri dengan penunjuk

- **Rajah2:** 1. Lampu penunjuk 2. Butang semak

Tekan butang semak pada kartrij bateri untuk menunjukkan kapasiti bateri yang tinggal. Lampu penunjuk menyala untuk beberapa saat.

Lampu penunjuk			Kapasiti yang tinggal
Dinyalakan	Mati	Berkelip	
			75% hingga 100%
			50% hingga 75%
			25% hingga 50%
			0% hingga 25%
			Cas bateri.
			Bateri mungkin telah rosak.

NOTA: Bergantung kepada keadaan penggunaan dan suhu persekitaran, penunjuk mungkin berbeza sedikit daripada kapasiti sebenar.

NOTA: Lampu penunjuk (kiri jauh) pertama akan berkedip apabila sistem perlindungan bateri berfungsi.

Tindakan suis


⚠️ PERHATIAN: Sebelum memasang kartrij bateri ke dalam alat, sentiasa periksa untuk melihat tuil suis bergerak dengan betul dan kembali ke posisi "OFF" apabila dilepaskan.


Untuk memulakan alat, hanya tarik tuil suis. Kelajuan alat ditingkatkan dengan menambah tekanan pada tuil suis. Lepaskan tuil suis untuk berhenti.

► **Rajah3:** 1. Tuil suis


NOTA: Alat akan berhenti secara automatik apabila anda menarik tuil suis secara berterusan selama 1 minit.

Untuk mengelakkan tuil suis daripada ditarik secara tidak sengaja, tuil kunci disediakan.

Apabila tuil kunci berada dalam kedudukan terkunci , tuil suis tidak boleh ditarik.

Apabila tuil kunci berada dalam kedudukan tidak dikunci , tuil suis boleh ditarik.

► **Rajah4:** 1. Tuil kunci 2. Kunci 3. Buka kunci

⚠️ PERHATIAN: Apabila tidak mengendalikan alat, sentiasa tetapkan tuil kunci kepada kedudukan terkunci .

Menyalakan lampu hadapan

⚠️ PERHATIAN: Jangan lihat ke dalam cahaya atau lihat sumber cahaya secara langsung.

Tarik tuil suis untuk menyalakan lampu. Lampu tetap menyala apabila tuil suis ditarik. Lampu secara automatik terpadam kira-kira 10 saat selepas tuil suis dilepaskan.

► **Rajah5:** 1. Tuil suis 2. Lampu

NOTIS: Apabila alat terlalu panas, lampu berkelip. Sejukkan alat sepenuhnya sebelum mengoperasikan semula alat.

NOTIS: Gunakan kain kering untuk mengelap kotoran daripada lensa lampu. Berhati-hati agar tidak mencalarakan lensa lampu, atau ia mungkin mengurangkan pencahayaan.

Tindakan tuil pembalik

⚠️ PERHATIAN: Sentiasa periksa arah putaran sebelum operasi.

⚠️ PERHATIAN: Gunakan tuil pembalik hanya selepas alat berhenti sepenuhnya. Menukar arah putaran sebelum alat berhenti boleh merosakkan alat.

Alat ini mempunyai tuil pembalik untuk mengubah arah putaran. Pusingkan tuil pembalik dari sisi A untuk putaran arah jam atau dari sisi B untuk putaran arah lawan jam.

Pastikan tuil pembalik dipusingkan sepenuhnya dengan satu klik.

► **Rajah6:** 1. Tuil pembalik

PEMASANGAN

⚠️ PERHATIAN: Sentiasa pastikan alat dimatikan dan kartrij bateri dikeluarkan sebelum menjalankan sebarang kerja pada alat.

Memasang dan menanggalkan penyesuai soket

Untuk memasang penyesuai soket, tekannya ke dalam lubang penyesuai sehingga terkunci pada tempatnya.

► **Rajah7:** 1. Penyesuai soket 2. Lubang penyesuai

Untuk mengeluarkan penyesuai soket, masukkan batang seperti pemutar skru ke bahagian belakang penyesuai soket, dan kemudian ketuk perlahan.

► **Rajah8:** 1. Penyesuai soket 2. Pemutar skru

NOTIS: Semasa prosedur mengalih keluar, sentiasa pegang penyesuai soket untuk mengelakkannya terjatuh dari alat.

Memasang dan menanggalkan soket

⚠️ PERHATIAN: Sebelum operasi, pastikan soket terkunci dengan betul pada penyesuai soket. Pemasangan soket yang tidak lengkap mungkin menyebabkan kecederaan.

NOTIS: Sentiasa guna saiz soket yang betul untuk bolt/nat. Saiz soket yang tidak betul akan menyebabkan tork pengikat tidak konsisten dan/atau rosak pada bolt/nat.

Untuk memasang penyesuai soket, tekannya ke dalam soket penyesuai sehingga terkunci pada tempatnya. Untuk mengeluarkan soket, hanya tarik ia keluar.

► **Rajah9:** 1. Soket 2. Penyesuai soket

OPERASI

⚠️ PERHATIAN: Pegang alat dengan kuat terutamanya apabila bolt/nat mencapai kedudukan letakan. Soket berhenti berputar dan reaksi motor menghasilkan tindak balas kerenggan segera untuk memutar alat.

NOTIS: Pegang alat menghala lurus ke arah bolt/nat.

Pegang alat dengan kukuh dan letakkan soket di atas bolt/nat. Hidupkan alat dan ikatkannya. Apabila bolt/nat mencapai kedudukan letakan, alat berhenti secara automatik.

► **Rajah10**

Alat ini juga berfungsi tanpa soket. Lubang penyesuai boleh mengikat bolt/nat M8 (5/16"). (berfungsi sebagai soket 13mm)

► **Rajah11**

Menggunakan sebagai alat tangan

Anda boleh menggunakan alat ini sebagai perengkuh sehalu dengan memutar alat ke arah anak panah seperti yang digambarkan. Khususnya semasa melonggarkan bolt/nat yang kaku, longgarkan menggunakan tangan terlebih dahulu kemudian hidupkan alat.

► Rajah12

NOTIS: Tork pengetatan yang berlebihan boleh merosakkan bolt/nat, soket atau alat.

PENYELENGGARAAN

⚠PERHATIAN: Sentiasa pastikan alat dimatikan dan kartrij bateri dikeluarkan sebelum cuba menjalankan pemeriksaan atau penyelenggaraan.

NOTIS: Jangan gunakan petrol, benzin, pencair, alkohol atau bahan yang serupa. Ia boleh menyebabkan perubahan warna, bentuk atau keretakan.

Untuk mengekalkan KESELAMATAN dan KEBOLEHPERCAYAAN produk, pembaikan, apa-apa penyelenggaraan atau penyesuaian lain perlu dilakukan oleh Kilang atau Pusat Servis Makita yang Diiktiraf, sentiasa gunakan alat ganti Makita.

AKSESORI PILIHAN

⚠PERHATIAN: Aksesori-aksesori atau lampiran-lampiran ini adalah disyorkan untuk digunakan dengan alat Makita anda yang ditentukan dalam manual ini. Penggunaan mana-mana aksesori-aksesori atau lampiran-lampiran lain mungkin mengakibatkan risiko kecederaan kepada orang. Hanya gunakan aksesori atau lampiran untuk tujuan yang dinyatakannya.

Jika anda memerlukan sebarang bantuan untuk maklumat lebih lanjut mengenai aksesori ini, tanya Pusat Perkhidmatan Makita tempatan anda.

- Soket
- Penyesuai soket
- Bateri dan pengecas asli Makita

NOTA: Beberapa item dalam senarai mungkin disertakan dalam pakej alat sebagai aksesori standard. Item mungkin berbeza mengikut negara.

THÔNG SỐ KỸ THUẬT

Kiểu máy:		DWR180
Khả năng vận xiết (bao gồm lực vận xiết lại thủ công)	Bu-lông thường	M5 - M12
	Bu-lông cường độ cao	M5 - M10
Đầu quay vuông		6,35 mm, 9,5 mm
Tốc độ không tải		0 - 800 min ⁻¹
Mô-men xoay tối đa		47,5 N•m
Chiều dài tổng thể		369 mm
Điện áp định mức		D.C. 18 V
Khối lượng tịnh		1,2 - 1,6 kg

- Do chương trình nghiên cứu và phát triển liên tục của chúng tôi nên các thông số kỹ thuật trong đây có thể thay đổi mà không cần thông báo trước.
- Các thông số kỹ thuật và hộp pin có thể thay đổi tùy theo từng quốc gia.
- Khối lượng có thể khác nhau tùy thuộc vào (các) phụ kiện, bao gồm cả hộp pin. Tổ hợp nhẹ nhất và nặng nhất, theo Quy trình EPTA 01/2014, được trình bày trong bảng.

Hộp pin và sạc pin có thể áp dụng

Hộp pin	BL1815N / BL1820B / BL1830B / BL1840B / BL1850B / BL1860B
Bộ sạc	DC18RC / DC18RD / DC18RE / DC18SD / DC18SE / DC18SF / DC18SH

- Một số hộp pin và sạc pin được nêu trong danh sách ở trên có thể không khả dụng tùy thuộc vào khu vực cư trú của bạn.

⚠ CẢNH BÁO: Chỉ sử dụng hộp pin và sạc pin được nêu trong danh sách ở trên. Việc sử dụng bất cứ hộp pin và sạc pin nào khác có thể gây ra thương tích và/hoặc hỏa hoạn.

Ký hiệu

Phản dưới đây cho biết các ký hiệu có thể được dùng cho thiết bị. Đảm bảo rằng bạn hiểu rõ ý nghĩa của các ký hiệu này trước khi sử dụng.



Đọc tài liệu hướng dẫn.



Ni-MH
Li-Ion

Chỉ dành cho các quốc gia EU
Không thải bỏ thiết bị điện hoặc bộ pin cùng với các chất thải sinh hoạt!
Để tuân thủ các Chỉ thị của Châu Âu về thiết bị điện và điện tử thải bỏ, và về pin và ắc quy và pin và ắc quy thải bỏ, và thi hành những chỉ thị này phù hợp với luật lệ quốc gia, các thiết bị điện tử và pin và (các) bộ pin không còn sử dụng được nữa phải được thu nhặt riêng và đưa trở lại một cơ sở tái chế tương thích với môi trường.

Mục đích sử dụng

Dụng cụ này được dùng để gắn bu-lông và đai ốc.

CẢNH BÁO AN TOÀN

Cảnh báo an toàn chung dành cho dụng cụ máy

⚠ CẢNH BÁO: Xin đọc tất cả các cảnh báo an toàn, hướng dẫn, minh họa và thông số kỹ thuật đi kèm với dụng cụ máy này. Việc không tuân theo các hướng dẫn được liệt kê dưới đây có thể dẫn đến điện giật, hỏa hoạn và/hoặc thương tích nghiêm trọng.

Lưu giữ tất cả cảnh báo và hướng dẫn để tham khảo sau này.

Thuật ngữ “dụng cụ máy” trong các cảnh báo đề cập đến dụng cụ máy (có dây) được vận hành bằng nguồn điện chính hoặc dụng cụ máy (không dây) được vận hành bằng pin của bạn.

An toàn tại nơi làm việc

1. **Giữ nơi làm việc sạch sẽ và có đủ ánh sáng.** Nơi làm việc bừa bộn hoặc tối thường dễ gây ra tai nạn.
2. **Không vận hành dụng cụ máy trong môi trường cháy nổ, ví dụ như môi trường có sự hiện diện của các chất lỏng, khí hoặc bụi dễ cháy.** Các dụng cụ máy tạo tia lửa điện có thể làm bụi hoặc khí bốc cháy.
3. **Giữ trẻ em và người ngoài tránh xa nơi làm việc khi đang vận hành dụng cụ máy.** Sự xao lãng có thể khiến bạn mất khả năng kiểm soát.

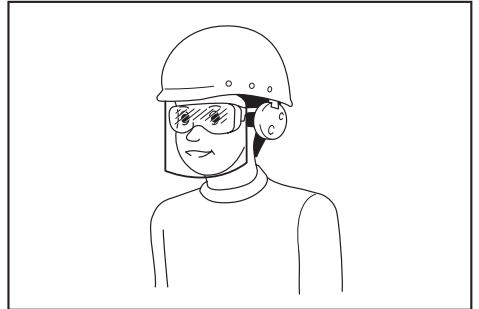
An toàn về Điện

1. **Phích cắm của dụng cụ máy phải khớp với ổ cắm. Không được sửa đổi phích cắm theo bất kỳ cách nào. Không sử dụng bất kỳ phích cắm chuyển đổi nào với các dụng cụ máy được nối đất (tiếp đất).** Các phích cắm còn nguyên vẹn và ổ cắm phù hợp sẽ giảm nguy cơ điện giật.
2. **Tránh để cơ thể tiếp xúc với các bề mặt nóng đất hoặc tiếp đất như đường ống, bộ tản nhiệt, bếp ga và tủ lạnh.** Nguy cơ bị điện giật sẽ tăng lên nếu cơ thể bạn được nối đất hoặc tiếp đất.
3. **Không để dụng cụ máy tiếp xúc với mưa hoặc trong điều kiện ẩm ướt.** Nước lọt vào dụng cụ máy sẽ làm tăng nguy cơ điện giật.
4. **Không làm dụng cụ máy dây điện. Không được phép sử dụng dây để mang, kéo hoặc tháo phích cắm dụng cụ máy. Giữ dây tránh xa nguồn nhiệt, dầu, các mép sắc hoặc các bộ phận chuyển động.** Dây bị hỏng hoặc bị rối sẽ làm tăng nguy cơ điện giật.
5. **Khi vận hành dụng cụ máy ngoài trời, hãy sử dụng dây kéo dài phù hợp cho việc sử dụng ngoài trời.** Việc dùng dây phù hợp cho việc sử dụng ngoài trời sẽ giảm nguy cơ điện giật.
6. **Nếu bất buộc phải vận hành dụng cụ máy ở nơi ẩm ướt, hãy sử dụng nguồn cấp điện được bảo vệ bằng thiết bị ngắt dòng điện rò (RCD).** Việc sử dụng RCD sẽ làm giảm nguy cơ điện giật.
7. **Các dụng cụ máy có thể tạo ra từ trường điện (EMF) có hại cho người dùng.** Tuy nhiên, người dùng máy trợ tim và những thiết bị y tế tương tự khác nên liên hệ với nhà sản xuất thiết bị và/hoặc bác sỹ để được tư vấn trước khi vận hành dụng cụ này.

An toàn Cá nhân

1. **Luôn tỉnh táo, quan sát những việc bạn đang làm và sử dụng những phán đoán theo kinh nghiệm khi vận hành dụng cụ máy. Không sử dụng dụng cụ máy khi bạn đang mệt mỏi hoặc chịu ảnh hưởng của ma túy, rượu hay thuốc.** Chỉ một khoảnh khắc không tập trung khi đang vận hành dụng cụ máy cũng có thể dẫn đến thương tích cá nhân nghiêm trọng.
2. **Sử dụng thiết bị bảo hộ cá nhân. Luôn đeo thiết bị bảo vệ mắt.** Các thiết bị bảo hộ như mặt nạ chống bụi, giày an toàn chống trượt, mũ bảo hộ hay thiết bị bảo vệ thính giác được sử dụng trong các điều kiện thích hợp sẽ giúp giảm thương tích cá nhân.

3. **Tránh vô tình khởi động dụng cụ máy. Đảm bảo công tắc ở vị trí off (tắt) trước khi nối nguồn điện và/hoặc bộ pin, cầm hoặc di chuyển dụng cụ máy.** Việc di chuyển dụng cụ máy khi đang đặt ngón tay ở vị trí công tắc hoặc cấp điện cho dụng cụ máy đang bật thường dễ gây ra tai nạn.
4. **Tháo tất cả các khóa hoặc cờ lê điều chỉnh trước khi bật dụng cụ máy.** Việc cờ lê hoặc khóa vẫn còn gắn vào bộ phận quay của dụng cụ máy có thể dẫn đến thương tích cá nhân.
5. **Không vởi quá cao. Luôn giữ thẳng bằng tốt và có chỗ để chân phù hợp.** Điều này cho phép điều khiển dụng cụ máy tốt hơn trong những tình huống bất ngờ.
6. **Ăn mặc phù hợp. Không mặc quần áo rộng hay đeo đồ trang sức. Giữ tóc và quần áo tránh xa các bộ phận chuyển động.** Quần áo rộng, đồ trang sức hay tóc dài có thể mắc vào các bộ phận chuyển động.
7. **Nếu cần thiết bị được cung cấp để kết nối các thiết bị thu gom và hút bụi, hãy đảm bảo chúng được kết nối và sử dụng hợp lý.** Việc sử dụng thiết bị thu gom bụi có thể làm giảm những mối nguy hiểm liên quan đến bụi.
8. **Không vì quen thuộc do thường xuyên sử dụng các dụng cụ mà cho phép bạn trở nên tự mãn và bỏ qua các nguyên tắc an toàn dụng cụ.** Một hành động bất cẩn có thể gây ra thương tích nghiêm trọng trong một phần của một giây.
9. **Luôn luôn mang kính bảo hộ để bảo vệ mắt khỏi bị thương khi đang sử dụng các dụng cụ máy. Kính bảo hộ phải tuân thủ ANSI Z87.1 ở Mỹ, EN 166 ở Châu Âu, hoặc AS/NZS 1336 ở Úc/New Zealand. Tại Úc/New Zealand, theo luật pháp, bạn cũng phải mang mặt nạ để bảo vệ mắt.**



Trách nhiệm của chủ lao động là bắt buộc người vận hành dụng cụ và những người khác trong khu vực làm việc cạnh đó phải sử dụng các thiết bị bảo hộ an toàn thích hợp.

Sử dụng và bảo quản dụng cụ máy

1. **Không dùng lực đối với dụng cụ máy. Sử dụng đúng dụng cụ máy cho công việc của bạn.** Sử dụng đúng dụng cụ máy sẽ giúp tăng hiệu quả công việc tốt hơn và an toàn hơn theo giá trị định mức được thiết kế của dụng cụ máy đó.

2. **Không sử dụng dụng cụ máy nếu công tắc không bật và tắt được dụng cụ máy đó.** Mọi dụng cụ máy không thể điều khiển được bằng công tắc đều rất nguy hiểm và phải được sửa chữa.
3. **Rút phích cắm ra khỏi nguồn điện và/hoặc tháo kết nối bộ pin khỏi dụng cụ máy, nếu có thể tháo rời trước khi thực hiện bất kỳ công việc điều chỉnh, thay đổi phụ tùng hay cất giữ dụng cụ máy nào.** Những biện pháp an toàn phòng ngừa này sẽ giảm nguy cơ vô tình khởi động dụng cụ máy.
4. **Cất giữ các dụng cụ máy không sử dụng ngoài tầm với của trẻ em và không cho bất kỳ người nào không có hiểu biết về dụng cụ máy hoặc các hướng dẫn này vận hành dụng cụ máy.** Dụng cụ máy sẽ rất nguy hiểm nếu được sử dụng bởi những người dùng chưa qua đào tạo.
5. **Bảo dưỡng dụng cụ máy và các phụ kiện.** Kiểm tra tình trạng lịch trực hoặc bộ kẹp của các bộ phận chuyển động, hiện tượng nứt vỡ của các bộ phận và mọi tình trạng khác mà có thể ảnh hưởng đến hoạt động của dụng cụ máy. Nếu có hỏng hóc, hãy sửa chữa dụng cụ máy trước khi sử dụng. Nhiều tai nạn xảy ra là do không bảo quản tốt dụng cụ máy.
6. **Luôn giữ cho dụng cụ cất được sắc bén và sạch sẽ.** Những dụng cụ cất được bảo quản tốt có mép cắt sắc sẽ ít bị kẹt hơn và dễ điều khiển hơn.
7. **Sử dụng dụng cụ máy, phụ tùng và đầu dụng cụ cắt, v.v... theo các hướng dẫn này, có tính đến điều kiện làm việc và công việc được thực hiện.** Việc sử dụng dụng cụ máy cho các công việc khác với công việc dự định có thể gây nguy hiểm.
8. **Giữ tay cầm và bề mặt tay cầm khô, sạch, không dính dầu và mỡ.** Tay cầm trơn trượt và bề mặt tay cầm không cho phép xử lý an toàn và kiểm soát dụng cụ trong các tình huống bất ngờ.
9. **Khi sử dụng dụng cụ, không được đi giày tay lao động bằng vải, có thể bị vướng.** Việc giày tay lao động bằng vải vướng vào các bộ phận chuyển động có thể gây ra thương tích cá nhân.

Sử dụng và bảo quản dụng cụ dùng pin

1. **Chỉ sạc pin lại với bộ sạc do nhà sản xuất quy định.** Bộ sạc phù hợp với một loại bộ pin này có thể gây ra nguy cơ hỏa hoạn khi được dùng cho một bộ pin khác.
2. **Chỉ sử dụng các dụng cụ máy với các bộ pin được quy định cụ thể.** Việc sử dụng bất cứ bộ pin nào khác có thể gây ra thương tích và hỏa hoạn.
3. **Khi không sử dụng bộ pin, hãy giữ tránh xa các đồ vật khác bằng kim loại, chẳng hạn như kẹp giấy, tiền xu, chìa khóa, đinh, ốc vít hoặc các vật nhỏ bằng kim loại mà có thể làm nối tất các đầu cực pin.** Các đầu cực pin bị đoản mạch có thể gây cháy hoặc hỏa hoạn.
4. **Trong điều kiện sử dụng quá mức, pin có thể bị chảy nước; hãy tránh tiếp xúc.** Nếu vô tình tiếp xúc với pin bị chảy nước, hãy rửa sạch bằng nước. Nếu dung dịch từ pin tiếp xúc với mắt, cần đi khám bác sĩ thêm. Dung dịch chảy ra từ pin có thể gây rát da hoặc bỏng.

5. **Không sử dụng bộ pin hoặc dụng cụ bị hư hỏng hoặc đã bị sửa đổi.** Pin đã bị hư hỏng hoặc đã bị sửa đổi có thể hành động theo cách không thể đoán trước dẫn đến cháy, nổ hoặc nguy cơ chấn thương.
6. **Không để bộ pin hoặc dụng cụ tiếp xúc với lửa hoặc nhiệt độ quá cao.** Tiếp xúc với lửa hoặc nhiệt độ trên 130 °C có thể gây ra cháy nổ.
7. **Làm theo tất cả các hướng dẫn sạc pin và không được sạc bộ pin hoặc dụng cụ vượt giới hạn nhiệt độ quy định trong hướng dẫn.** Sạc pin không đúng hoặc ở nhiệt độ vượt giới hạn nhiệt độ có thể gây hư hỏng cho pin và làm tăng nguy cơ cháy.

Bảo dưỡng

1. **Đề nhân viên sửa chữa đủ trình độ bảo dưỡng dụng cụ máy của bạn và chỉ sử dụng các bộ phận thay thế đồng nhất.** Việc này sẽ đảm bảo duy trì được độ an toàn của dụng cụ máy.
2. **Không bao giờ sử dụng bộ pin đã hỏng.** Dịch vụ bảo hành bộ pin chỉ nên thực hiện bởi nhà sản xuất hoặc các nhà cung cấp dịch vụ được ủy quyền.
3. **Tuân theo hướng dẫn dành cho việc bôi trơn và thay phụ tùng.**

Cảnh báo an toàn đối với Máy Siết Bu Lông Xuyên Tâm Cầm Tay Hoạt Động Bằng Pin

1. **Cầm dụng cụ máy tại bề mặt kẹp cách điện khi thực hiện một thao tác trong đó bộ phận kẹp có thể tiếp xúc với dây dẫn điện kín bên dưới.** Bộ phận kẹp tiếp xúc với dây dẫn "có điện" có thể khiến các bộ phận kim loại bị hở của dụng cụ máy "có điện" và làm cho người vận hành bị điện giật.
2. **Cầm chắc dụng cụ.**
3. **Luôn chắc chắn rằng bạn có chỗ tựa chân vững chắc.**
4. **Đảm bảo rằng không có ai ở bên dưới khi sử dụng dụng cụ ở những vị trí trên cao.**
5. **Đeo thiết bị bảo vệ tai.**
6. **Kiểm tra đầu bắt vít thật kỹ xem có bị mòn, nứt hoặc hư hỏng không trước khi lắp.**
7. **Giữ tay tránh xa các bộ phận quay.**
8. **Không chạm vào đầu bắt vít bánh cóc, đầu bắt vít, bu lông, đai ốc hay phôi gia công ngay sau khi vận hành một thời gian dài.** Chúng có thể rất nóng và có thể gây bỏng da.

LƯU GIỮ CÁC HƯỚNG DẪN NÀY.

▲CẢNH BÁO: KHÔNG vì đã thoải mái hay quen thuộc với sản phẩm (có được do sử dụng nhiều lần) mà không tuân thủ nghiêm ngặt các quy định về an toàn dành cho sản phẩm này.

VIỆC DÙNG SAI hoặc không tuân theo các quy định về an toàn được nêu trong tài liệu hướng dẫn này có thể dẫn đến thương tích cá nhân nghiêm trọng.

Hướng dẫn quan trọng về an toàn dành cho hộp pin

1. Trước khi sử dụng hộp pin, hãy đọc kỹ tất cả các hướng dẫn và dấu hiệu cảnh báo trên (1) bộ sạc pin, (2) pin và (3) sản phẩm sử dụng dụng cụ.
2. Không tháo rời hoặc làm thay đổi hộp pin. Việc này có thể dẫn đến hỏa hoạn, quá nhiệt hoặc nổ.
3. Nếu thời gian vận hành ngắn hơn quá mức, hãy ngừng vận hành ngay lập tức. Điều này có thể dẫn đến rủi ro quá nhiệt, có thể gây bỏng và thậm chí là nổ.
4. Nếu chất điện phân rơi vào mắt, hãy rửa sạch bằng nước sạch và đến cơ sở y tế ngay lập tức. Chất này có thể khiến bạn giảm thị lực.
5. Không để hộp pin ở tình trạng đoản mạch:
 - (1) Không chạm vào cực pin bằng vật liệu dẫn điện.
 - (2) Tránh cất giữ hộp pin trong hộp có các vật kim loại khác như đinh, tiền xu, v.v...
 - (3) Không được để hộp pin tiếp xúc với nước hoặc mưa.Đoản mạch pin có thể gây ra dòng điện lớn, quá nhiệt, có thể gây bỏng và thậm chí là hỏng hóc.
6. Không cất giữ cũng như sử dụng dụng cụ và hộp pin ở nơi nhiệt độ có thể lên tới hoặc vượt quá 50 °C (122 °F).
7. Không đốt hộp pin ngay cả khi hộp pin đã bị hư hại nặng hoặc hư hỏng hoàn toàn. Hộp pin có thể nổ khi tiếp xúc với lửa.
8. Không đóng đinh, cắt, nghiền nát, ném, làm rơi hộp pin hoặc va vật cứng vào hộp pin. Làm như thế có thể dẫn đến hỏa hoạn, quá nhiệt hoặc nổ.
9. Không sử dụng pin đã hỏng.
10. Pin nén lithium-ion là đối tượng có yêu cầu bắt buộc theo Luật Hàng hoá Nguy hiểm. Đối với vận tải thương mại, ví dụ như vận tải do bên thứ ba, đại lý giao nhận, thì yêu cầu đặc biệt về đóng gói và nhãn ghi phải được giám sát. Để chuẩn bị cho mặt hàng cần vận chuyển, cần phải tham khảo ý kiến chuyên gia về vật liệu nguy hiểm. Nếu được, vui lòng tuân thủ các quy định quốc gia chi tiết hơn. Buộc hoặc niêm phong các tiếp điểm mở và đóng gói pin theo cách đó để nó không thể di chuyển trong bao bì.
11. Khi vứt bỏ hộp pin, hãy tháo chúng khỏi dụng cụ và thải bỏ ở nơi an toàn. Phải tuân thủ theo các quy định của địa phương liên quan đến việc thải bỏ pin.
12. Chỉ sử dụng pin cho các sản phẩm Makita chỉ định. Lắp pin vào sản phẩm không thích hợp có thể gây ra hỏa hoạn, quá nhiệt, nổ, hoặc rò chất điện phân.
13. Nếu dụng cụ không được sử dụng trong một thời gian dài, cần phải tháo pin ra khỏi dụng cụ.
14. Trong và sau khi sử dụng, hộp pin có thể bị nóng, có thể gây bỏng hoặc bỏng ở nhiệt độ thấp. Chú ý xử lý hộp pin nóng.

15. Không chạm vào điện cực của dụng cụ ngay sau khi sử dụng vì điện cực đủ nóng để gây bỏng.
16. Không để vận bào, bụi hoặc đất bám vào các điện cực, lỗ và rãnh của hộp pin. Việc này có thể dẫn đến hiệu suất kém hoặc hỏng hóc dụng cụ hay hộp pin.
17. Trừ khi dụng cụ hỗ trợ sử dụng gần đường dây điện cao thế, không sử dụng hộp pin gần đường dây điện cao thế. Việc này có thể dẫn đến trực tràng hoặc hỏng hóc dụng cụ hay hộp pin.
18. Giữ pin tránh xa trẻ em.

LƯU GIỮ CÁC HƯỚNG DẪN NÀY.

⚠ THẬN TRỌNG: Chỉ sử dụng pin Makita chính hãng. Việc sử dụng pin không chính hãng Makita, hoặc pin đã được sửa đổi, có thể dẫn đến nổ pin gây ra cháy, thương tích và thiệt hại cá nhân. Nó cũng sẽ làm mất hiệu lực bảo hành của Makita dành cho dụng cụ của Makita và bộ sạc.

Mẹo duy trì tuổi thọ tối đa cho pin

1. Sạc hộp pin trước khi pin bị xả điện hoàn toàn. Luôn dừng việc vận hành dụng cụ và sạc pin khi bạn nhận thấy công suất dụng cụ bị giảm.
2. Không được phép sạc lại một hộp pin đã được sạc đầy. Sạc quá mức sẽ làm giảm tuổi thọ của pin.
3. Sạc pin ở nhiệt độ phòng 10°C - 40°C. Để cho hộp pin nóng nguội lại dần trước khi sạc pin.
4. Khi không sử dụng hộp pin, hãy tháo hộp pin ra khỏi dụng cụ hoặc bộ sạc.
5. Sạc pin sáu tháng một lần nếu bạn không sử dụng dụng cụ trong một thời gian dài (hơn sáu tháng).

MÔ TẢ CHỨC NĂNG

⚠ THẬN TRỌNG: Luôn đảm bảo rằng đã tắt dụng cụ và tháo hộp pin ra trước khi thực hiện việc điều chỉnh hoặc kiểm tra chức năng trên dụng cụ.

Lắp hoặc tháo hộp pin

⚠ THẬN TRỌNG: Luôn tắt dụng cụ trước khi lắp hoặc tháo hộp pin.

⚠ THẬN TRỌNG: Giữ dụng cụ và hộp pin thật chắc khi lắp hoặc tháo hộp pin. Không giữ dụng cụ và hộp pin thật chắc có thể làm trượt chúng khỏi tay và làm hư hỏng dụng cụ và hộp pin hoặc gây thương tích cá nhân.

► Hình1: 1. Chỉ báo màu đỏ 2. Nút 3. Hộp pin

Để tháo hộp pin, vừa trượt pin ra khỏi dụng cụ vừa đẩy trượt nút ở phía trước hộp pin.

Đề lắp hộp pin, đặt thẳng hàng phần chốt nhô ra của hộp pin vào phần rãnh nằm trên vỏ và trượt hộp pin vào vị trí. Đưa hộp pin vào cho đến khi chốt khóa vào đúng vị trí với một tiếng “cách” nhẹ. Nếu bạn vẫn còn nhìn thấy chỉ báo màu đỏ ở mặt trên của nút, điều đó có nghĩa là chốt vẫn chưa được khóa hoàn toàn.

⚠ THẬN TRỌNG: Luôn lắp hộp pin khớp hoàn toàn vào vị trí cho đến khi không thể nhìn thấy chỉ báo màu đỏ. Nếu không, hộp pin có thể vô tình rơi ra khỏi dụng cụ, gây thương tích cho bạn hoặc người khác xung quanh.

⚠ THẬN TRỌNG: Không được dùng sức lắp hộp pin. Nếu hộp pin không nhẹ nhàng trượt vào vị trí, có nghĩa là pin vẫn chưa được lắp đúng.

Hệ thống bảo vệ dụng cụ / pin

Dụng cụ này được trang bị hệ thống bảo vệ dụng cụ / pin. Hệ thống này sẽ tự động ngắt nguồn điện để kéo dài tuổi thọ dụng cụ và pin. Dụng cụ sẽ tự động dừng vận hành khi dụng cụ hoặc pin ở một trong những trường hợp sau đây:

Bảo vệ quá tải

Tính năng bảo vệ này sẽ hoạt động khi dụng cụ được vận hành theo cách gây ra dòng điện cao bất thường. Trong trường hợp này, hãy tắt dụng cụ và ngừng ứng dụng làm cho dụng cụ trở nên quá tải. Sau đó bật dụng cụ lên để khởi động lại.

Bảo vệ quá nhiệt

Khi bị quá nhiệt, dụng cụ sẽ tự động dừng và đèn bắt đầu nhấp nháy. Trong tình huống này, hãy để dụng cụ và pin nguội trước khi bật dụng cụ lại.

Bảo vệ xả điện quá mức

Tính năng bảo vệ này sẽ hoạt động khi dung lượng pin còn lại ít. Trong tình huống này, hãy tháo pin khỏi dụng cụ và sạc pin lại.

Chỉ báo dung lượng pin còn lại

Chỉ dành cho hộp pin có đèn chỉ báo

► **Hình2:** 1. Các đèn chỉ báo 2. Nút Check (kiểm tra)

Ấn nút check (kiểm tra) trên hộp pin để chỉ báo dung lượng pin còn lại. Các đèn chỉ báo bật sáng lên trong vài giây.

Các đèn chỉ báo			Dung lượng còn lại
Bật sáng	Tắt	Nhấp nháy	
■ ■ ■ ■			75% đến 100%
■ ■ ■ □			50% đến 75%
■ ■ □ □			25% đến 50%
■ □ □ □			0% đến 25%
▣ □ □ □			Sạc pin.
■ ■ □ □			Pin có thể đã bị hỏng.
□ □ ■ ■			

LƯU Ý: Tùy thuộc vào các điều kiện sử dụng và nhiệt độ xung quanh, việc chỉ báo có thể khác biệt một chút so với dung lượng thực sự.

LƯU Ý: Đèn chỉ báo (phía xa bên trái) đầu tiên sẽ nhấp nháy khi hệ thống bảo vệ pin hoạt động.

Hoạt động công tắc

⚠ THẬN TRỌNG: Trước khi lắp đặt hộp pin vào dụng cụ, luôn luôn kiểm tra xem cần công tắc có hoạt động bình thường hay không và trả về vị trí “TẮT” khi nhả ra.


Để khởi động dụng cụ, chỉ cần kéo cần công tắc. Tốc độ dụng cụ được giảm xuống bằng cách tăng lực ép lên cần công tắc. Nhả cần công tắc ra để dừng.

► **Hình3:** 1. Cần công tắc


LƯU Ý: Dụng cụ này sẽ tự động dừng lại khi bạn tiếp tục kéo giữ cần khởi động công tắc khoảng 1 phút.

Để ngăn ngừa vô tình kéo cần công tắc, cần trang bị một cần nhả khóa.

Khi cần khóa ở vị trí khóa , cần công tắc không thể hoạt động được.

Khi cần khóa ở vị trí mở khóa , cần công tắc có thể hoạt động.

► **Hình4:** 1. Cần khóa 2. Khóa 3. Mở khóa

⚠ THẬN TRỌNG: Khi không vận hành dụng cụ, luôn trượt cần khóa sang vị trí khóa .

Bật sáng đèn phía trước

⚠ THẬN TRỌNG: Đừng nhìn thẳng trực tiếp vào đèn hoặc nguồn sáng.

Kéo cần công tắc để bật sáng đèn. Đèn sẽ vẫn sáng trong lúc cần công tắc đang được kéo. Đèn sẽ tự động tắt khoảng 10 giây sau khi nhả cần công tắc.

► **Hình5:** 1. Cần công tắc 2. Đèn

CHÚ Ý: Khi dụng cụ bị quá nhiệt, đèn sẽ nhấp nháy. Làm mát dụng cụ hoàn toàn trước khi vận hành dụng cụ trở lại.

CHÚ Ý: Dùng vải khô để lau bụi bẩn trên kính đèn. Kính đèn không được làm xước kính đèn, nếu không đèn có thể bị giảm độ sáng.

Hoạt động cần đảo chiều

⚠️ THẬN TRỌNG: Luôn luôn kiểm tra hướng xoay trước khi vận hành.

⚠️ THẬN TRỌNG: Chỉ sử dụng cần đảo chiều sau khi dụng cụ đã dừng hoàn toàn. Việc thay đổi hướng xoay trước khi dụng cụ dừng có thể làm hỏng dụng cụ.

Dụng cụ này có một cần đảo chiều để thay đổi chiều xoay. Vận cần đảo chiều sang mặt A để xoay theo chiều kim đồng hồ hoặc sang mặt B để xoay ngược chiều kim đồng hồ.

Đảm bảo đã vận hết mức cần đảo chiều để nghe tiếng cách.

► **Hình6:** 1. Cần đảo chiều

LẮP RÁP

⚠️ THẬN TRỌNG: Luôn đảm bảo rằng đã tắt dụng cụ và tháo hộp pin ra trước khi thực hiện bất cứ thao tác nào trên dụng cụ.

Lắp hoặc tháo bộ khớp nối ống lót

Để lắp bộ khớp nối ống lót, hãy đẩy nó vào lỗ của bộ khớp nối cho đến khi khớp vào vị trí.

► **Hình7:** 1. Bộ khớp nối ống lót 2. Lỗ bộ khớp nối

Để tháo bộ khớp nối ống lót, chèn một que giống như tuốc nơ vít vào mặt sau của bộ khớp nối ống lót, sau đó gõ nhẹ vào nó.

► **Hình8:** 1. Bộ khớp nối ống lót 2. Máy vận vít cầm tay hoạt động bằng động cơ điện

CHÚ Ý: Trong quy trình tháo ra, tiếp tục giữ bộ khớp nối ống lót để ngăn không cho nó rơi ra khỏi dụng cụ.

Lắp hoặc tháo đầu tuýp

⚠️ THẬN TRỌNG: Trước khi vận hành, hãy đảm bảo rằng các đầu tuýp đã được khóa đúng vào bộ khớp nối ống lót. Chưa gắn đầu tuýp hoàn toàn có thể gây ra chấn thương.

CHÚ Ý: Luôn sử dụng đầu tuýp đúng kích thước cho bu lông/đai ốc. Đầu vận không đúng kích thước sẽ làm cho lực vận xiết không ổn định và/hoặc làm hư hỏng bu lông/đai ốc.

Để lắp ống lót, hãy đẩy nó vào bộ khớp nối ống lót cho đến khi khớp vào vị trí. Để tháo đầu tuýp, chỉ cần kéo nó ra.

► **Hình9:** 1. Mũi đầu tuýp 2. Bộ khớp nối ống lót

VẬN HÀNH

⚠️ THẬN TRỌNG: Cầm chắc dụng cụ đặc biệt là khi bu lông/đai ốc đạt đến vị trí cố định. Ống lót dừng quay và phản lực của động cơ sẽ tạo ra phản ứng ngược tức thì để xoay dụng cụ.

CHÚ Ý: Giữ dụng cụ chĩa thẳng vào bu lông/đai ốc.

Giữ chặt dụng cụ và đặt mũi đầu tuýp lên trên bu lông/đai ốc. Bật dụng cụ lên rồi xiết chặt. Khi bu lông/đai ốc đạt đến vị trí cố định, dụng cụ sẽ tự động dừng lại.

► **Hình10**

Dụng cụ này cũng hoạt động mà không ống lót. Lỗ bộ khớp nối có thể kẹp chặt bu lông/đai ốc M8 (5/16"). (hoạt động như một ống lót 13 mm)

► **Hình11**

Sử dụng như dụng cụ cầm tay

Bạn có thể sử dụng dụng cụ như cần siết bu lông cầm tay bằng cách xoay dụng cụ theo các mũi tên hướng như minh họa. Đặc biệt khi siết lỏng bu lông/đai ốc cứng, hãy nói lỏng nó bằng tay trước, sau đó mới bật dụng cụ lên.

► **Hình12**

CHÚ Ý: Lực vận xiết quá mức có thể làm hỏng bu lông/đai ốc, ống lót hoặc dụng cụ.

BẢO TRÌ

⚠️ THẬN TRỌNG: Hãy luôn chắc chắn rằng dụng cụ đã được tắt và hộp pin đã được tháo ra trước khi cố gắng thực hiện việc kiểm tra hay bảo dưỡng.

CHÚ Ý: Không được phép dùng xăng, ét xăng, dung môi, cồn hoặc hóa chất tương tự. Có thể xảy ra hiện tượng mất màu, biến dạng hoặc nứt vỡ.

Để đảm bảo ĐỘ AN TOÀN và ĐỘ TIN CẬY của sản phẩm, việc sửa chữa hoặc bất cứ thao tác bảo trì, điều chỉnh nào đều phải được thực hiện bởi các Trung tâm Dịch vụ Nhà máy hoặc Trung tâm được Makita Ủy quyền và luôn sử dụng các phụ tùng thiết bị thay thế của Makita.

PHỤ KIỆN TÙY CHỌN

⚠ THẬN TRỌNG: Các phụ kiện hoặc phụ tùng gắn thêm này được khuyến cáo sử dụng với dụng cụ Makita của bạn theo như quy định trong hướng dẫn này. Việc sử dụng bất cứ phụ kiện hoặc phụ tùng gắn thêm nào khác đều có thể gây ra rủi ro thương tích cho người. Chỉ sử dụng phụ kiện hoặc phụ tùng gắn thêm cho mục đích đã quy định sẵn của chúng.

Nếu bạn cần bất kỳ sự hỗ trợ nào để biết thêm chi tiết về các phụ tùng này, hãy hỏi Trung tâm Dịch vụ của Makita tại địa phương của bạn.

- Mũi đầu tuýp
- Bộ khớp nối ống lót
- Pin và bộ sạc chính hãng của Makita

LƯU Ý: Một số mục trong danh sách có thể được bao gồm trong gói dụng cụ làm phụ kiện tiêu chuẩn. Các mục này ở mỗi quốc gia có thể khác nhau.

ข้อมูลจำเพาะ

รุ่น:	DWR180	
ความสามารถในการ ขันแน่น (รวมถึงการ ขันให้แน่นอีกครั้ง ด้วยมือ)	สลักเกลียวมาตรฐาน	M5 - M12
	สลักเกลียวทนแรงดึงสูง	M5 - M10
ช่องยึดหัวบีอกซ์	6.35 mm, 9.5 mm	
ความเร็วหมุนเปล่า	0 - 800 min ⁻¹	
แรงบิดขันแน่นสูงสุด	47.5 N•m	
ความยาวโดยรวม	369 mm	
แรงดันไฟฟ้าสูงสุด	D.C. 18 V	
น้ำหนักสุทธิ	1.2 - 1.6 kg	

- เนื่องจากการค้นคว้าวิจัยและพัฒนาอย่างต่อเนื่อง ข้อมูลจำเพาะในเอกสารฉบับนี้อาจเปลี่ยนแปลงได้โดยไม่ต้องแจ้งให้ทราบล่วงหน้า
- ข้อมูลจำเพาะและตลับแบตเตอรี่อาจแตกต่างกันไปในแต่ละประเทศ
- น้ำหนักอาจแตกต่างกันไปตามอุปกรณ์เสริม รวมถึงตลับแบตเตอรี่ การติดอุปกรณ์เสริมที่เบาที่สุดและหนักที่สุดตามข้อบังคับของ EPTA 01/2014 มีแสดงอยู่ในตาราง

ตลับแบตเตอรี่และเครื่องชาร์จที่ใช้ได้

ตลับแบตเตอรี่	BL1815N / BL1820B / BL1830B / BL1840B / BL1850B / BL1860B
เครื่องชาร์จ	DC18RC / DC18RD / DC18RE / DC18SD / DC18SE / DC18SF / DC18SH

- ตลับแบตเตอรี่และเครื่องชาร์จบางรายการที่แสดงอยู่ด้านบนอาจไม่มีวางจำหน่ายขึ้นอยู่กับภูมิภาคที่คุณอาศัยอยู่

คำเตือน: ใช้ตลับแบตเตอรี่และเครื่องชาร์จที่ระบุไว้ข้างบนเท่านั้น การใช้ตลับแบตเตอรี่และเครื่องชาร์จประเภทอื่นอาจก่อให้เกิดความเสี่ยงที่จะได้รับบาดเจ็บและ/หรือเกิดไฟไหม้

สัญลักษณ์

ต่อไปนี้เป็นสัญลักษณ์ที่อาจใช้สำหรับอุปกรณ์ โปรดศึกษาความหมายของสัญลักษณ์ให้เข้าใจก่อนการใช้งาน



อ่านคู่มือการใช้งาน



NI-MH
Li-Ion

สำหรับประเทศในสหภาพยุโรปเท่านั้น ห้ามทิ้งอุปกรณ์ไฟฟ้าหรือชุดแบตเตอรี่รวมกับขยะครัวเรือนทั่วไป! เพื่อให้เป็นไปตามกฎระเบียบของยุโรปเกี่ยวกับขยะจำพวกอุปกรณ์ไฟฟ้าและอิเล็กทรอนิกส์ และขยะจำพวกแบตเตอรี่และหม้อสะสมไฟฟ้า และการปฏิบัติตามกฎหมายในประเทศ ต้องเก็บอุปกรณ์ไฟฟ้าและแบตเตอรี่และชุดแบตเตอรี่ทั้งหมดอายุการใช้งานแล้วแยกต่างหากและส่งกลับไปยังศูนย์รีไซเคิลที่เป็นมิตรต่อสิ่งแวดล้อม

จุดประสงค์การใช้งาน

ใช้เครื่องมือชนิดนี้เพื่อขจัดน้ำอัดและสลักเกลียว

คำเตือนด้านความปลอดภัย

คำเตือนด้านความปลอดภัยของเครื่องมือไฟฟ้าทั่วไป

คำเตือน: โปรดอ่านคำเตือนด้านความปลอดภัย คำแนะนำ ภาพประกอบ และข้อมูลจำเพาะต่างๆ ที่หามากับเครื่องมือไฟฟ้าอย่างละเอียด การไม่ปฏิบัติตามคำแนะนำดังต่อไปนี้ อาจส่งผลให้เกิดไฟฟ้าช็อต ไฟไหม้ และ/หรือได้รับบาดเจ็บอย่างร้ายแรงได้

เก็บรักษาคำเตือนและคำแนะนำทั้งหมดไว้เป็นข้อมูลอ้างอิงในอนาคต

คำว่า "เครื่องมือไฟฟ้า" ในคำเตือนนี้หมายถึงเครื่องมือไฟฟ้า (มีสาย) ที่ทำงานโดยใช้กระแสไฟฟ้าหรือเครื่องมือไฟฟ้า (ไร้สาย) ที่ทำงานโดยใช้แบตเตอรี่

ความปลอดภัยของพื้นที่ทำงาน

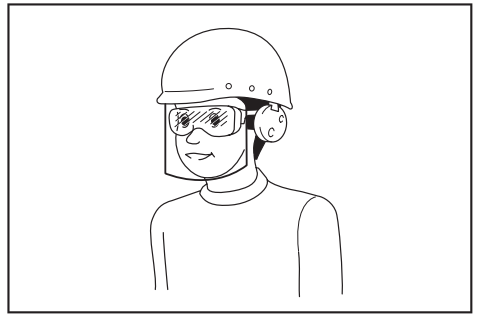
1. ดูแลพื้นที่ทำงานให้มีความสะอาดและมีแสงไฟสว่าง พื้นที่ที่ระเกะระกะหรือมีดีที่บอบนำไปสู่การเกิดอุบัติเหตุได้
2. อย่าใช้งานเครื่องมือไฟฟ้าในสภาพที่อาจเกิดการระเบิด เช่น ในสถานที่ที่มีของเหลว ก๊าซ หรือฝุ่นผงที่มีคุณสมบัติไวไฟ เครื่องมือไฟฟ้าอาจสร้างประกายไฟและจุดชนวนฝุ่นผงหรือก๊าซดังกล่าว
3. ดูแลไม่ให้มีเด็ก หรือบุคคลอื่นอยู่ในบริเวณที่กำลังใช้เครื่องมือไฟฟ้า การมีสิ่งรบกวนสมาธิอาจทำให้คุณสูญเสียการควบคุม

ความปลอดภัยด้านไฟฟ้า

1. ปลั๊กของเครื่องมือไฟฟ้าต้องพอดีกับเต้ารับ อย่าดัดแปลงปลั๊กไม่ว่ากรณีใดๆ อย่าใช้ปลั๊กอะแดปเตอร์กับเครื่องมือไฟฟ้าที่ต่อสายดิน ปลั๊กที่ไม่ถูกดัดแปลงและเต้ารับที่เข้ากันพอดีจะช่วยลดความเสี่ยงของการเกิดไฟฟ้าช็อต
2. ระวังอย่าให้ร่างกายสัมผัสกับพื้นผิวที่ต่อสายดิน เช่น ท่อ เครื่องนำความร้อน เตาหุงต้ม และตู้เย็น มีความเสี่ยงที่จะเกิดไฟฟ้าช็อตสูงขึ้น หากร่างกายของคุณสัมผัสกับพื้น
3. อย่าให้เครื่องมือไฟฟ้าถูกน้ำหรืออยู่ในสภาพเปียกชื้น น้ำที่ไหลเข้าไปในเครื่องมือไฟฟ้าจะเพิ่มความเสี่ยงของการเกิดไฟฟ้าช็อต
4. อย่าใช้สายไฟอย่างไม่เหมาะสม อย่าใช้สายไฟเพื่อยก ดึง หรือถอดปลั๊กเครื่องมือไฟฟ้า เก็บสายไฟให้ห่างจากความร้อน น้ำมัน ของมีคม หรือชิ้นส่วนที่เคลื่อนที่ สายที่ชำรุดหรือพันกันจะเพิ่มความเสี่ยงของการเกิดไฟฟ้าช็อต
5. ขณะที่ใช้งานเครื่องมือไฟฟ้านอกอาคาร ควรใช้สายต่อพ่วงที่เหมาะสมกับงานภายนอกอาคาร การใช้สายที่เหมาะสมกับงานภายนอกอาคารจะลดความเสี่ยงของการเกิดไฟฟ้าช็อต
6. หากต้องใช้งานเครื่องมือไฟฟ้าในสถานที่เปียกชื้น ให้ใช้อุปกรณ์ป้องกันกระแสไฟรั่ว (RCD) การใช้ RCD จะลดความเสี่ยงของการเกิดไฟฟ้าช็อต
7. เครื่องมือไฟฟ้าอาจสร้างสนามแม่เหล็ก (EMF) ที่ไม่เป็นอันตรายต่อผู้ใช้ อย่างไรก็ตาม ผู้ใช้ที่ใส่เครื่องกระตุ้นหัวใจและอุปกรณ์ทางการแพทย์ที่คล้ายกันนี้ ควรติดต่อผู้ผลิตอุปกรณ์และ/หรือแพทย์เพื่อรับคำแนะนำก่อนใช้งานเครื่องมือไฟฟ้านี้

ความปลอดภัยส่วนบุคคล

1. ให้ระมัดระวังและมีสติอยู่เสมอขณะใช้งานเครื่องมือไฟฟ้า อย่าใช้งานเครื่องมือไฟฟ้าในขณะที่คุณกำลังเหนื่อย หรือในสภาพที่มึนเมาจากยาเสพติด เครื่องดื่ม แอลกอฮอล์ หรือการเข้ายา ชั่วขณะที่ขาดความระมัดระวังเมื่อกำลังใช้งานเครื่องมือไฟฟ้าอาจทำให้ได้รับบาดเจ็บร้ายแรง
2. ใช้อุปกรณ์ป้องกันส่วนบุคคล สวมแว่นตาป้องกันเสมอ อุปกรณ์ป้องกัน เช่น หน้ากากกันฝุ่น รองเท้านิรภัย กันลื่น หมวกนิรภัย หรือเครื่องป้องกันการได้ยินที่ใช้ในสภาพที่เหมาะสมจะช่วยลดการบาดเจ็บ
3. ป้องกันไม่ให้เกิดการเปิดใช้งานโดยไม่ตั้งใจ ตรวจสอบให้แน่ใจว่าสวิตช์ปิดอยู่ก่อนที่จะเชื่อมต่อกับแหล่งจ่ายไฟ และ/หรือชุดแบตเตอรี่ รวมทั้งตรวจสอบก่อนการยกหรือเคลื่อนย้ายเครื่องมือ การถอดนิ้วมือบริเวณสวิตช์เพื่อถ่วงเครื่องมือไฟฟ้า หรือการชาร์จไฟเครื่องมือไฟฟ้าในขณะที่เปิดสวิตช์อยู่อาจนำไปสู่การเกิดอุบัติเหตุ
4. นำกุญแจปรับตั้งหรือประแจออกก่อนที่จะเปิดเครื่องมือไฟฟ้า ประแจหรือกุญแจที่เสียบค้างอยู่ในชิ้นส่วนที่หมุนได้ของเครื่องมือไฟฟ้าอาจทำให้ได้รับบาดเจ็บ
5. อย่าทำงานในระยงที่สุดอ้อม จัดท่าการยืนและการทรงตัวให้เหมาะสมตลอดเวลา เพราะจะทำให้ควบคุมเครื่องมือไฟฟ้าได้ดีขึ้นในสถานการณ์ที่ไม่คาดคิด
6. แต่งกายให้เหมาะสม อย่าสวมเครื่องแต่งกายที่หลวมเกินไป หรือสวมเครื่องประดับ ดูแลไม่ให้เส้นผมและเสื้อผ้าอยู่ใกล้ชิ้นส่วนที่เคลื่อนที่ เสื้อผ้ารุ่มร่าม เครื่องประดับ หรือผมที่มีความยาวอาจเข้าไปติดในชิ้นส่วนที่เคลื่อนที่
7. หากมีการจัดอุปกรณ์สำหรับดูดและจับฝุ่นไว้ในสถานที่ ให้ตรวจสอบว่าได้เชื่อมต่อและใช้งานอุปกรณ์นั้นอย่างเหมาะสม การใช้เครื่องดูดและจับฝุ่นจะช่วยลดอันตรายที่เกิดจากฝุ่นผงได้
8. อย่าให้ความดันเคຍจากการใช้งานเครื่องมือเป็นประจำทำให้คุณทำตัวตามสบายและละเลยหลักการเพื่อความปลอดภัยในการใช้เครื่องมือ การกระทำที่ไม่ระมัดระวังอาจทำให้เกิดการบาดเจ็บร้ายแรงภายในเสี้ยววินาที
9. สวมใส่แว่นครอบตานิรภัยเพื่อปกป้องดวงตาของคุณจากการบาดเจ็บเมื่อใช้เครื่องมือไฟฟ้า แว่นครอบตาจะต้องได้มาตรฐาน ANSI Z87.1 ในสหรัฐอเมริกา, EN 166 ในยุโรป หรือ AS/NZS 1336 ในออสเตรเลีย/นิวซีแลนด์ ในออสเตรเลีย/นิวซีแลนด์ จะต้องสวมเกราะป้องกันใบหน้าเพื่อปกป้องใบหน้าของคุณอย่างถูกต้องตามกฎหมายด้วย



ผู้ว่าจ้างมีหน้าที่รับผิดชอบในการบังคับผู้ใช้งานเครื่องมือและบุคคลอื่นๆ ที่อยู่ในบริเวณที่ปฏิบัติงานให้ใช้อุปกรณ์ป้องกันที่เหมาะสม

การใช้และดูแลเครื่องมือไฟฟ้า

1. อย่าฝืนใช้เครื่องมือไฟฟ้า ใช้เครื่องมือไฟฟ้าที่เหมาะสมกับการใช้งานของคุณ เครื่องมือไฟฟ้าที่เหมาะสมจะทำให้ได้งานที่มีประสิทธิภาพและปลอดภัยกว่าตามขีดความสามารถของเครื่องที่ได้รับการออกแบบมา
2. อย่าใช้เครื่องมือไฟฟ้า หากสวิตช์ไม่สามารถเปิดปิดได้ เครื่องมือไฟฟ้าที่ควบคุมด้วยสวิตช์ไม่ได้เป็นสิ่งอันตรายและต้องได้รับการซ่อมแซม
3. ถอดปลั๊กจากแหล่งจ่ายไฟ และ/หรือชุดแบตเตอรี่ออกจากเครื่องมือไฟฟ้าก่อนทำการปรับตั้ง เปลี่ยนอุปกรณ์เสริม หรือจัดเก็บเครื่องมือไฟฟ้า วิธีการป้องกันด้านความปลอดภัยดังกล่าวจะช่วยลดความเสี่ยงในการเปิดใช้งานเครื่องมือไฟฟ้าโดยไม่ตั้งใจ
4. จัดเก็บเครื่องมือไฟฟ้าที่ไม่ได้ใช้งานให้ห่างจากมือเด็ก และอย่าอนุญาตให้บุคคลที่ไม่คุ้นเคยกับเครื่องมือไฟฟ้าหรือคำแนะนำเหล่านี้ใช้งานเครื่องมือไฟฟ้า เครื่องมือไฟฟ้าจะเป็นอันตรายเมื่ออยู่ในมือของผู้ที่ไม่ได้รับการฝึกอบรม
5. บำรุงรักษาเครื่องมือไฟฟ้าและอุปกรณ์เสริม ตรวจสอบการประกอบที่ไม่ถูกต้องหรือการเชื่อมต่อของชิ้นส่วนที่เคลื่อนที่ การแตกหักของชิ้นส่วน หรือสภาพอื่นๆ ที่อาจส่งผลกระทบต่อการทำงานของเครื่องมือไฟฟ้า หากมีความเสียหายให้นำเครื่องมือไฟฟ้าไปซ่อมแซมก่อนการใช้งาน อุบัติเหตุจำนวนมากเกิดจากการดูแลรักษาเครื่องมือไฟฟ้าอย่างไม่ถูกต้อง
6. ทำความสะอาดเครื่องมือตัดและลับให้คมอยู่เสมอ เครื่องมือการตัดที่มีการดูแลอย่างถูกต้องและมีขอบการตัดคมมักจะมีปัญหาตัดชิ้นน้อยและควบคุมได้ง่ายกว่า

- ใช้เครื่องมือไฟฟ้า อุปกรณ์เสริม และวัสดุสิ้นเปลือง ฯลฯ ตามคำแนะนำดังกล่าว พิจารณาสภาพการทำงานและงานที่จะลงมือทำ การใช้เครื่องมือไฟฟ้าเพื่อทำงานอื่นนอกเหนือจากที่กำหนดไว้อาจทำให้เกิดอันตราย
- ดูแลมือจับและบริเวณมือจับให้แห้ง สะอาด และไม่มีความชื้นและจาระบีเปื้อน มือจับและบริเวณมือจับที่ชื้นจะทำให้ไม่สามารถจับและควบคุมเครื่องมือได้อย่างปลอดภัยในสถานการณ์ที่ไม่คาดคิด
- ขณะใช้งานเครื่องมือ อย่าสวมใส่ถุงมือผ้าที่อาจเข้าไปติดในเครื่องมือได้ หากถุงมือผ้าเข้าไปติดในชิ้นส่วนที่กำลังเคลื่อนที่อยู่อาจทำให้ได้รับบาดเจ็บ

การใช้งานและดูแลเครื่องมือที่ใช้แบตเตอรี่

- ชาร์จไฟใหม่ด้วยเครื่องชาร์จที่ระบุโดยผู้ผลิตเท่านั้น เครื่องชาร์จที่เหมาะสมสำหรับชุดแบตเตอรี่ประเภทหนึ่งอาจเสี่ยงที่จะเกิดไฟไหม้หากนำไปใช้กับชุดแบตเตอรี่อีกประเภทหนึ่ง
- ใช้เครื่องมือไฟฟ้ากับชุดแบตเตอรี่ที่กำหนดมาโดยเฉพาะเท่านั้น การใช้ชุดแบตเตอรี่ประเภทอื่นอาจทำให้เสี่ยงที่จะได้รับบาดเจ็บและเกิดไฟไหม้
- เมื่อไม่ใช้งานชุดแบตเตอรี่ ให้เก็บห่างจากวัตถุที่เป็นโลหะอื่นๆ เช่น คลิปหนีบกระดาษ เหรียญ กุญแจ กรรไกรตัดเล็บ สกรู หรือวัตถุที่เป็นโลหะขนาดเล็กอื่นๆ ที่สามารถเชื่อมต่อชั่วคราวกับอีกขั้วหนึ่งได้ การลัดวงจรขั้วแบตเตอรี่อาจทำให้อร้อนจัดหรือเกิดไฟไหม้
- ในกรณีที่ใช้งานไม่ถูกต้อง อาจมีของเหลวไหลออกจากแบตเตอรี่ ให้หลีกเลี่ยงการสัมผัส หากสัมผัสโดนของเหลวโดยไม่ตั้งใจ ให้ล้างออกด้วยน้ำ หากของเหลวกระเด็นเข้าตา ให้รีบไปพบแพทย์ ของเหลวที่ไหลออกจากแบตเตอรี่อาจทำให้ผิวหนังระคายเคืองหรือไหม้
- ห้ามใช้ชุดแบตเตอรี่หรือเครื่องมือที่ชำรุดหรือมีการแก้ไข แบตเตอรี่ที่เสียหายหรือมีการแก้ไขอาจทำให้เกิดสิ่งที่คาดไม่ถึงได้ เช่น ไฟไหม้ ระเบิด หรือเสี่ยงต่อการบาดเจ็บ
- ห้ามใช้ชุดแบตเตอรี่อยู่ใกล้ไฟ หรือบริเวณที่มีอุณหภูมิสูงเกิน หากโดนไฟ หรืออุณหภูมิสูงเกิน 130 °C อาจก่อให้เกิดการระเบิดได้
- กรุณาปฏิบัติตามคำแนะนำสำหรับการชาร์จไฟ และห้ามชาร์จแบตเตอรี่หรือเครื่องมือในบริเวณที่มีอุณหภูมินอกเหนือไปจากที่ระบุในคำแนะนำ การชาร์จไฟที่ไม่เหมาะสม หรืออุณหภูมิที่นอกเหนือไปจากช่วงอุณหภูมิที่ระบุในคำแนะนำอาจทำให้แบตเตอรี่เสียหายและเป็นการเพิ่มความเสี่ยงในการเกิดไฟไหม้

การซ่อมบำรุง

- นำเครื่องมือไฟฟ้าเข้ารับบริการจากช่างซ่อมที่ผ่านการรับรองโดยใช้อะไหล่แบบเดียวกันเท่านั้น เพราะจะทำให้การใช้เครื่องมือไฟฟ้ามีความปลอดภัย
- ห้ามใช้ชุดแบตเตอรี่ที่เสียหาย ชุดแบตเตอรี่ที่ใช้ควรเป็นชุดที่มาจากผู้ผลิต หรือผู้ให้บริการที่ได้รับอนุญาตเท่านั้น
- ปฏิบัติตามคำแนะนำในการหล่อลื่นและการเปลี่ยนอุปกรณ์เสริม

คำเตือนด้านความปลอดภัยของประแจแหวนไร้สาย

- ถือเครื่องมือไฟฟ้าบริเวณมือจับที่เป็นฉนวนขณะทำงานที่สายรัดอาจสัมผัสกับสายไฟที่ซ่อนอยู่ สายรัดที่สัมผัสกับสายไฟที่ "มีกระแสไฟฟ้าไหลผ่าน" อาจทำให้ส่วนที่เป็นโลหะของเครื่องมือไฟฟ้าที่ไม่มีฉนวนหุ้ม "มีกระแสไฟฟ้าไหลผ่าน" และทำให้ผู้ปฏิบัติงานถูกไฟฟ้าช็อตได้
- จับเครื่องมือให้แน่น
- ตรวจสอบให้แน่ใจว่าได้ยืนอย่างมั่นคง หากใช้งานเครื่องมือในพื้นที่สูง ระวังอย่าให้มีคนอยู่ด้านล่าง
- สวมใส่อุปกรณ์ป้องกันเสียง
- ตรวจสอบหัวบ็อกซ์กระแทกว่ามีการบิ่น ฉีกขาด หรือความเสียหายหรือไม่ก่อนการติดตั้ง
- ระวังอย่าให้มือสัมผัสกับชิ้นส่วนที่หมุนได้
- อย่าสัมผัสกับหัวประแจแหวน หัวบ็อกซ์กระแทก สลักเกลียว น็อต หรือชิ้นงานทันทีหลังจากใช้งานเป็นเวลานาน เนื่องจากอาจมีความร้อนสูงและไหม้ผิวหนังของคุณได้

ปฏิบัติตามคำแนะนำเหล่านี้

⚠ คำเตือน: อย่าให้ความไม่ระมัดระวังหรือความคุ้นเคยกับผลิตภัณฑ์ (จากการใช้งานซ้ำหลายครั้ง) อยู่เหนือการปฏิบัติตามกฎเกณฑ์ด้านความปลอดภัยในการใช้งานผลิตภัณฑ์อย่างเคร่งครัด

การใช้งานอย่างไม่เหมาะสมหรือการไม่ปฏิบัติตามกฎเกณฑ์ด้านความปลอดภัยในคู่มือการใช้งานนี้อาจทำให้ได้รับบาดเจ็บรุนแรง

คำแนะนำเพื่อความปลอดภัยที่สำคัญสำหรับ ดัลล์แบตเตอรี่

1. ก่อนใช้งานดัลล์แบตเตอรี่ให้อ่านคำแนะนำและ
เครื่องหมายเตือนทั้งหมดบน (1) เครื่องชาร์จ
แบตเตอรี่ (2) แบตเตอรี่ และ (3) ตัวผลิตภัณฑ์ที่ใช้
แบตเตอรี่
2. อย่าถอดแยกชิ้นส่วนหรือทำการดัดแปลงดัลล์
แบตเตอรี่ เนื่องจากอาจทำให้เกิดไฟไหม้ ความร้อนที่
สูงเกินไป หรือระเบิดได้
3. หากระยะเวลาที่เครื่องทำงานสั้นเกินไป ให้หยุดใช้งาน
ทันที เนื่องจากอาจมีความเสี่ยงที่จะร้อนจัด ไหม้หรือ
ระเบิดได้
4. หากสารละลายอิเล็กโทรไลต์กระเด็นเข้าตา ให้ล้าง
ออกด้วยน้ำเปล่าและรีบไปพบแพทย์ทันที เนื่องจาก
อาจทำให้ตาบอด
5. ห้ามลัดวงจรดัลล์แบตเตอรี่:
 - (1) ห้ามแตะขั้วกับวัตถุที่เป็นสื่อไฟฟ้าใดๆ
 - (2) หลีกเลี่ยงการเก็บดัลล์แบตเตอรี่ไว้ในภาชนะร่วมกับวัตถุที่เป็นโลหะ เช่น กรรไกรตัดเล็บ เหรียญ
 ฯลฯ
 - (3) อย่าให้ดัลล์แบตเตอรี่ถูกน้ำหรือฝน
 แบตเตอรี่ลัดวงจรอาจทำให้เกิดการไหลของกระแส
 ไฟฟ้า ร้อนจัด ไหม้หรือเสียหายได้
6. ห้ามเก็บและใช้เครื่องมือและดัลล์แบตเตอรี่ไว้ในสถานที่
ที่มีอุณหภูมิสูงถึงหรือเกิน 50 °C (122 °F)
7. ห้ามเผาดัลล์แบตเตอรี่ทิ้ง แม้ว่าแบตเตอรี่จะเสียหาย
จนใช้การไม่ได้หรือเสื่อมสภาพแล้ว ดัลล์แบตเตอรี่
อาจจะระเบิดในกองไฟ
8. อย่าตอกตะปู ตัด บด ขั้ว หรือทำดัลล์แบตเตอรี่
หล่นพื้น หรือกระแทกดัลล์แบตเตอรี่กับวัตถุของแข็ง
 การกระทำดังกล่าวอาจส่งผลให้เกิดไฟไหม้ ความร้อน
 ที่สูงเกินไป หรือระเบิดได้
9. ห้ามใช้แบตเตอรี่ที่เสียหาย
10. แบตเตอรี่ลิเทียมไอออนที่มีมาให้ในนี้เป็นไปตามข้อ
 กำหนดของ Dangerous Goods Legislation
 สำหรับการขนส่งเพื่อการพาณิชย์ เช่น โดยบุคคลที่
 สาม ตัวแทนขนส่งสินค้า จะต้องตรวจสอบข้อกำหนด
 พิเศษในด้านการบรรจุหีบห่อหรือการติดป้ายสินค้า
 ในการเตรียมสินค้าที่จะขนส่ง ให้ปรึกษาผู้เชี่ยวชาญ
 ด้านวัตถุอันตราย โปรดตรวจสอบข้อกำหนดใน
 ประเทศที่อาจมีรายละเอียดอื่นๆ เพิ่มเติม
 ให้ติดเทปหรือปิดหน้าสัมผัสและห่อแบตเตอรี่ใน
 ลักษณะที่แบตเตอรี่จะไม่เคลื่อนที่ไปมาในหีบห่อ

11. เมื่อกำจัดดัลล์แบตเตอรี่ ให้ถอดดัลล์แบตเตอรี่ออก
 จากเครื่องมือและกำจัดในสถานที่ที่ปลอดภัย ปฏิบัติ
 ตามข้อบังคับในท้องถิ่นเกี่ยวกับการกำจัดแบตเตอรี่
12. ใช้แบตเตอรี่กับผลิตภัณฑ์ที่ระบุโดย Makita เท่านั้น
 การติดตั้งแบตเตอรี่ในผลิตภัณฑ์ที่ไม่ใช่ตามที่ระบุอาจ
 ทำให้เกิดไฟไหม้ ความร้อนสูง ระเบิด หรืออิเล็กทรอนิกส์
 เสียหายได้
13. หากไม่ใช่เครื่องมือเป็นระยะเวลานาน จะต้องถอด
 แบตเตอรี่ออกจากเครื่องมือ
14. ในระหว่างและหลังการใช้งาน ดัลล์แบตเตอรี่อาจร้อน
 ซึ่งอาจลวกผิวหรือทำให้ผิวไหม้ที่อุณหภูมิที่ต่ำได้ โปรด
 ระมัดระวังในการจัดการกับแบตเตอรี่ที่ร้อน
15. อย่าสัมผัสขั้วของเครื่องมือทันทีหลังจากการใช้งาน
 เนื่องจากอาจมีความร้อนพอที่จะทำให้ผิวไหม้ได้
16. อย่าปล่อยให้เศษวัสดุ ฝุ่นผง หรือดินเข้าไปติดอยู่ใน
 ขั้ว รู และร่องของดัลล์แบตเตอรี่ เนื่องจากอาจทำให้
 เครื่องมือหรือดัลล์แบตเตอรี่มีประสิทธิภาพลดลงหรือ
 เสียหายได้
17. หากเครื่องมือไม่รองรับสายไฟแรงดันสูง อย่าใช้ดัลล์
 แบตเตอรี่ใกล้กับสายไฟแรงดันสูง เนื่องจากเครื่องมือ
 หรือดัลล์แบตเตอรี่อาจทำงานผิดปกติหรือเสียหายได้
18. เก็บแบตเตอรี่ให้ห่างจากเด็ก

ปฏิบัติตามคำแนะนำเหล่านี้

⚠️ ข้อควรระวัง: ใช้แบตเตอรี่ของแท้จาก Makita เท่านั้น
 การใช้แบตเตอรี่ Makita ที่ไม่แท้ หรือแบตเตอรี่ที่ถูก
 เปลี่ยน อาจทำให้แบตเตอรี่ระเบิด ก่อให้เกิดเพลิงลุกไหม้
 การบาดเจ็บ และความเสียหายได้ และจะทำให้การรับ
 ประกันของ Makita สำหรับเครื่องมือและแท่นชาร์จของ
 Makita เป็นโมฆะด้วย

เคล็ดลับในการรักษาอายุการใช้งานของ แบตเตอรี่ให้ยาวนานที่สุด

1. ชาร์จดัลล์แบตเตอรี่ก่อนที่ไฟจะหมด หยุดการใช้
 งานแล้วชาร์จประจุไฟฟ้าใหม่ทุกครั้งเมื่อคุณรู้สึกว่า
 อุปกรณ์มีกำลังลดลง
2. อย่าชาร์จดัลล์แบตเตอรี่ที่มีไฟเต็มแล้ว การชาร์จ
 ประจุไฟฟ้ามากเกินไปอาจจะทำให้อายุการใช้งานของ
 ดัลล์แบตเตอรี่สั้นลง
3. ชาร์จประจุไฟฟ้าดัลล์แบตเตอรี่ในห้องที่มีอุณหภูมิ
 ระหว่าง 10 °C - 40 °C ปล่อยให้ดัลล์แบตเตอรี่เย็น
 ลงก่อนที่จะชาร์จไฟ
4. เมื่อไม่ใช้ดัลล์แบตเตอรี่ ให้ถอดออกจากเครื่องมือหรือ
 เครื่องชาร์จ

5. ชาร์จไฟถลับแบตเตอรี่หากคุณไม่ต้องการใช้เป็นเวลา นาน (เกินกว่าหกเดือน)

คำอธิบายการทำงาน

⚠ ข้อควรระวัง: ตรวจสอบให้แน่ใจว่าได้ปิดสวิตช์เครื่องมือและถอดถลับแบตเตอรี่ออกก่อนปรับตั้งหรือตรวจสอบการทำงานของเครื่องมือ

การใส่หรือการถอดถลับแบตเตอรี่

⚠ ข้อควรระวัง: ปิดสวิตช์เครื่องมือก่อนทำการติดตั้งหรือการถอดถลับแบตเตอรี่ทุกครั้ง

⚠ ข้อควรระวัง: ถือเครื่องมือและถลับแบตเตอรี่ให้แน่น ในระหว่างการติดตั้งหรือการถอดถลับแบตเตอรี่ หากไม่ถือเครื่องมือและถลับแบตเตอรี่ให้แน่น อาจทำให้ถลับแบตเตอรี่และเครื่องมือลื่นหลุดมือ และทำให้เครื่องมือและถลับแบตเตอรี่เสียหายหรือได้รับบาดเจ็บได้

- **หมายเลข 1:** 1. ซิลลี่แดง 2. ปุ่ม 3. ถลับแบตเตอรี่

เมื่อต้องการถอดถลับแบตเตอรี่ ให้เลื่อนปุ่มที่ด้านหน้าของถลับแล้วดึงออกจากเครื่องมือ

เมื่อต้องการติดตั้งถลับแบตเตอรี่ ให้จัดแนวสันบนถลับแบตเตอรี่ให้ตรงกับร่องบนตัวเครื่องมือ แล้วเลื่อนถลับแบตเตอรี่เข้าที่ ติดตั้งถลับแบตเตอรี่เข้าจนสุดจนกระทั่งล็อกเข้าที่และได้ยินเสียงคลิก หากยังเห็นซิลลี่แดงที่ด้านบนของปุ่ม แสดงว่าถลับแบตเตอรี่ยังไม่ล็อกเข้าที่

⚠ ข้อควรระวัง: ให้ดันถลับแบตเตอรี่เข้าจนสุดจนไม่เห็นซิลลี่แดงอีก ไม่เช่นนั้น ถลับแบตเตอรี่อาจหลุดออกจากเครื่องมือทำให้คุณหรือคนรอบข้างได้รับบาดเจ็บ

⚠ ข้อควรระวัง: อย่าฝืนติดตั้งถลับแบตเตอรี่โดยใช้แรงมากเกินไป หากถลับแบตเตอรี่ไม่เลื่อนเข้าไปโดยง่าย แสดงว่าใส่ไม่ถูกต้อง

ระบบป้องกันเครื่องมือ/แบตเตอรี่

เครื่องมือนี้มีระบบป้องกันเครื่องมือ/แบตเตอรี่ ระบบนี้จะตัดไฟโดยอัตโนมัติเพื่อหยุดการทำงานของเครื่องมือและแบตเตอรี่ เครื่องมือจะหยุดทำงานระหว่างการใช้งานโดยอัตโนมัติ หากเครื่องมือหรือแบตเตอรี่อยู่ภายใต้สถานการณ์ต่อไปนี

การป้องกันโอเวอร์โวลต

การป้องกันนี้จะทำงานเมื่อเครื่องมือทำงานในลักษณะที่ทำให้เกิดกระแสไฟฟ้าสูงผิดปกติ ในสถานการณ์เช่นนี้ ให้ปิดเครื่องมือและหยุดการใช้ที่ทำให้เครื่องมือทำงานหนักเกินไป จากนั้นเปิดเครื่องมือเพื่อเริ่มการทำงานอีกครั้ง

การป้องกันความร้อนสูงเกิน

เมื่อเครื่องมือมีความร้อนสูงเกินไป เครื่องมือจะหยุดโดยอัตโนมัติและดวงไฟจะเริ่มกะพริบ ในกรณีนี้ ปล่อยให้เครื่องมือและแบตเตอรี่เย็นลงก่อนที่จะเปิดเครื่องมืออีกครั้ง

การป้องกันไฟหมด

การป้องกันนี้จะทำงานเมื่อความจุแบตเตอรี่เหลือน้อย ในสถานการณ์เช่นนี้ ให้ถอดแบตเตอรี่ออกจากเครื่องมือและนำแบตเตอรี่ไปชาร์จไฟ

การระบุระดับพลังงานแบตเตอรี่ที่เหลืออยู่

สำหรับถลับแบตเตอรี่ที่มีตัวแสดงสถานะเท่านั้น

- **หมายเลข 2:** 1. ไฟแสดงสถานะ 2. ปุ่มตรวจสอบ

กดปุ่ม ตรวจสอบ บนถลับแบตเตอรี่เพื่อดูปริมาณแบตเตอรี่ที่เหลือ ไฟแสดงสถานะจะสว่างขึ้นเป็นเวลาสองสามวินาที

ไฟแสดงสถานะ			แบตเตอรี่ที่เหลือ
ไฟสว่าง	ดับ	กะพริบ	
■ ■ ■ ■			75% ถึง 100%
■ ■ ■ □			50% ถึง 75%
■ ■ □ □			25% ถึง 50%
■ □ □ □			0% ถึง 25%
▣ □ □ □			ชาร์จไฟแบตเตอรี่
■ ■ □ □	↑ ↓		แบตเตอรี่อาจจะเสียหาย

หมายเหตุ: ขึ้นอยู่กับสภาพการใช้งานและอุณหภูมิ โดยรอบ การแสดงสถานะอาจจะแตกต่างจากปริมาณแบตเตอรี่จริงเล็กน้อย

หมายเหตุ: ไฟแสดงสถานะดวงแรก (ซ้ายสุด) จะกะพริบเมื่อระบบป้องกันแบตเตอรี่ทำงาน

การทำงานของสวิทช์

⚠️ ข้อควรระวัง: ก่อนติดตั้งปลั๊กแบตเตอรี่ลงในเครื่องมือให้ตรวจสอบว่าก้านสวิทช์สามารถทำงานได้อย่างถูกต้องและกลับไปยังตำแหน่ง "ปิด" เมื่อปล่อย

เมื่อต้องการเปิดใช้เครื่องมือให้ดึงก้านสวิทช์ ความเร็วเครื่องมือจะเพิ่มขึ้นเมื่อเพิ่มแรงกดที่ก้านสวิทช์ ปล่อยก้านสวิทช์เพื่อหยุดทำงาน

▶ **หมายเลข 3:** 1. ก้านสวิทช์

หมายเหตุ: เครื่องมือจะหยุดโดยอัตโนมัติเมื่อคุณดึงสวิทช์สั่งงานค้างไว้เป็นเวลา 1 นาที

เพื่อป้องกันก้านสวิทช์ถูกกดโดยไม่ได้ตั้งใจมีก้านล็อกติดตั้งมาให้

เมื่อก้านล็อกอยู่ในตำแหน่งล็อก ก้านสวิทช์จะไม่สามารถทำงานได้

เมื่อก้านล็อกอยู่ในตำแหน่งปลดล็อก ก้านสวิทช์จะสามารถทำงานได้

▶ **หมายเลข 4:** 1. ก้านล็อก 2. ล็อก 3. ปลดล็อก

⚠️ ข้อควรระวัง: เมื่อไม่ได้ใช้งานเครื่องมือ ให้เลื่อนก้านล็อกไว้ที่ตำแหน่งล็อกเสมอ

การเปิดดวงไฟด้านหน้า

⚠️ ข้อควรระวัง: อย่ามองเข้าไปในดวงไฟหรือจ้องดูแหล่งกำเนิดแสงโดยตรง

กดสวิทช์สั่งงานเพื่อเปิดไฟ ดวงไฟจะสว่างอยู่ตลอดเวลาเมื่อกดสวิทช์สั่งงาน ไฟจะดับลงโดยอัตโนมัติในเวลาประมาณ 10 วินาทีหลังจากปล่อยก้านสวิทช์

▶ **หมายเลข 5:** 1. ก้านสวิทช์ 2. ดวงไฟ

ข้อสังเกต: เมื่อเครื่องมือร้อนเกินไป ไฟจะกะพริบ ปล่อยให้เครื่องมือเย็นลงก่อนใช้งานอีกครั้ง

ข้อสังเกต: ใช้ผ้าแห้งเพื่อเช็ดสิ่งสกปรกออกจากเลนส์ของดวงไฟ ระวังอย่าขีดข่วนเลนส์ของดวงไฟ ไม่เช่นนั้นอาจทำให้ส่องสว่างได้น้อยลง

การทำงานของก้านเปลี่ยนทิศทาง

⚠️ ข้อควรระวัง: ตรวจสอบทิศทางการหมุนก่อนการใช้งานเสมอ

⚠️ ข้อควรระวัง: ใช้ก้านเปลี่ยนทิศทางหลังจากเครื่องมือหยุดสนิทแล้วเท่านั้น การเปลี่ยนทิศทางการหมุนก่อนเครื่องมือหยุดอาจทำให้เครื่องมือเสียหายได้

เครื่องมือนี้มีก้านเปลี่ยนทิศทางเพื่อเปลี่ยนทิศทางการหมุน ปรับก้านเปลี่ยนทิศทางไปทางด้าน A สำหรับการหมุนตามเข็มนาฬิกา หรือไปทางด้าน B สำหรับการหมุนทวนเข็มนาฬิกา

ตรวจสอบให้แน่ใจว่าก้านเปลี่ยนทิศทางถูกปรับจนสุดและได้ยินเสียงคลิกแล้ว

▶ **หมายเลข 6:** 1. ก้านเปลี่ยนทิศทาง

การประกอบ

⚠️ ข้อควรระวัง: ตรวจสอบให้แน่ใจว่าได้ปิดสวิทช์เครื่องมือและถอดปลั๊กแบตเตอรี่ออกก่อนดำเนินการใดๆ กับเครื่องมือ

การติดตั้งหรือการถอดตัวแปลงหัวบ็อกซ์

การติดตั้งตัวแปลงหัวบ็อกซ์ ให้ดันตัวแปลงเข้าไปในช่องตัวแปลงจนกระทั่งล็อกเข้าที่

▶ **หมายเลข 7:** 1. ตัวแปลงหัวบ็อกซ์ 2. ช่องตัวแปลง

การถอดตัวแปลงหัวบ็อกซ์ออก ให้สอดแท่ง เช่น ไขควง ลงไปที่ด้านหลังของตัวแปลงหัวบ็อกซ์ จากนั้นให้เคาะเบาๆ

▶ **หมายเลข 8:** 1. ตัวแปลงหัวบ็อกซ์ 2. ไขควง

ข้อสังเกต: ในระหว่างการถอด ให้จับตัวแปลงหัวบ็อกซ์เอาไว้เพื่อป้องกันตัวแปลงหล่นจากเครื่องมือ

การติดตั้งหรือการถอดหัวบ็อกซ์

⚠ ข้อควรระวัง: ก่อนใช้งาน ตรวจสอบให้แน่ใจว่าหัวบ็อกซ์ถูกถอดอย่างเหมาะสมบนตัวแปลงหัวบ็อกซ์แล้ว การติดตั้งหัวบ็อกซ์ที่ไม่สมบูรณ์อาจทำให้ได้รับบาดเจ็บ

ข้อสังเกต: ใช้หัวบ็อกซ์ซึ่งมีขนาดที่ถูกต้องสำหรับสลักเกลียว/น็อตเสมอ หัวบ็อกซ์ซึ่งมีขนาดที่ไม่ถูกต้องจะส่งผลให้แรงบิดขันแน่นไม่สม่ำเสมอ และ/หรือทำให้สลักเกลียว/น็อตเสียหายได้

การติดตั้งหัวบ็อกซ์ ให้ดันหัวบ็อกซ์เข้าไปในตัวแปลงหัวบ็อกซ์จนกระทั่งล็อกเข้าที่ และเมื่อต้องการถอดหัวบ็อกซ์ เพียงแค่ดึงหัวบ็อกซ์ออก

▶ **หมายเลข 9:** 1. หัวบ็อกซ์ 2. ตัวแปลงหัวบ็อกซ์

การใช้งาน

⚠ ข้อควรระวัง: จับเครื่องมือให้แน่นโดยเฉพาะอย่างยิ่งเมื่อสลักเกลียว/น็อตอยู่ในตำแหน่งส่วนฐาน หัวบ็อกซ์จะหยุดหมุนและมอเตอร์จะเกิดปฏิกิริยาสะท้อนกลับทันทีเพื่อหมุนเครื่องมือ

ข้อสังเกต: จับเครื่องมือให้ชี้ตรงไปที่สลักเกลียว/น็อต

จับเครื่องมือให้แน่นและวางหัวบ็อกซ์ไว้บนสลักเกลียว/น็อต เปิดเครื่องมือและทำการขันแน่น เมื่อสลักเกลียว/น็อตถึงตำแหน่งส่วนฐาน เครื่องมือจะหยุดทำงานโดยอัตโนมัติ

▶ **หมายเลข 10**

เครื่องมือสามารถทำงานได้เช่นกันแม้ไม่มีหัวบ็อกซ์ ช่องตัวแปลงสามารถขันสลักเกลียว/น็อต M8 (5/16") ได้ (ทำงานเหมือนหัวบ็อกซ์ 13 mm)

▶ **หมายเลข 11**

การใช้เครื่องมือด้วยมือ

คุณสามารถใช้เครื่องมือนี้เป็นประแจแหวนธรรมดาได้โดยการหมุนเครื่องมือด้วยมือในทิศทางตามลูกศรในภาพ โดยเฉพาะอย่างยิ่งเมื่อทำการคลายสลักเกลียว/น็อตที่ติดแน่น ให้คลายด้วยมือก่อนที่จะเปิดเครื่อง

▶ **หมายเลข 12**

ข้อสังเกต: แรงบิดขันแน่นที่มากเกินไปอาจทำให้สลักเกลียว/น็อต หัวบ็อกซ์ หรือเครื่องมือเสียหาย

การบำรุงรักษา

⚠ ข้อควรระวัง: ตรวจสอบให้แน่ใจว่าได้ปิดสวิตช์เครื่องมือและถอดด้ามแบตเตอรี่ออกก่อนทำการตรวจสอบหรือบำรุงรักษา

ข้อสังเกต: อย่าใช้น้ำมันเชื้อเพลิง เบนซิน ทินเนอร์ แอลกอฮอล์ หรือวัสดุประเภทเดียวกัน เนื่องจากอาจทำให้ลื่นหรือลื่นล้ม เสี่ยงอุบัติเหตุหรือแตกร้าวได้

เพื่อความปลอดภัยและน้ำเชื้อเพลิงของผลิตภัณฑ์ ควรให้ศูนย์บริการหรือโรงงานที่ผ่านการรับรองจาก Makita เป็นผู้ดำเนินการซ่อมแซม บำรุงรักษาและทำการปรับตั้งอื่นๆ นอกจากนี้ให้ใช้อะไหล่ของแท้จาก Makita เสมอ

อุปกรณ์เสริม

⚠ ข้อควรระวัง: ขอแนะนำให้ใช้เฉพาะอุปกรณ์เสริมหรืออุปกรณ์ต่อพ่วงเหล่านี้กับเครื่องมือ Makita ที่ระบุในคู่มือการใช้อุปกรณ์เสริมหรืออุปกรณ์ต่อพ่วงอื่นๆ อาจมีความเสี่ยงที่จะได้รับบาดเจ็บ ใช้อุปกรณ์เสริมหรืออุปกรณ์ต่อพ่วงตามวัตถุประสงค์ที่ระบุไว้เท่านั้น

หากต้องการทราบรายละเอียดเพิ่มเติมเกี่ยวกับอุปกรณ์เสริมเหล่านี้ โปรดสอบถามศูนย์บริการ Makita ใกล้บ้านคุณ

- หัวบ็อกซ์
- ตัวแปลงหัวบ็อกซ์
- แบตเตอรี่และเครื่องชาร์จ Makita ของแท้

หมายเหตุ: อุปกรณ์บางรายการอาจจะรวมอยู่ในชุดเครื่องมือเป็นอุปกรณ์มาตรฐาน ซึ่งอาจแตกต่างกันไปในแต่ละประเทศ

Makita Corporation
3-11-8, Sumiyoshi-cho,
Anjo, Aichi 446-8502 Japan
www.makita.com

885834-377
EN, ZHCN, ID, MS,
VI, TH
20200824