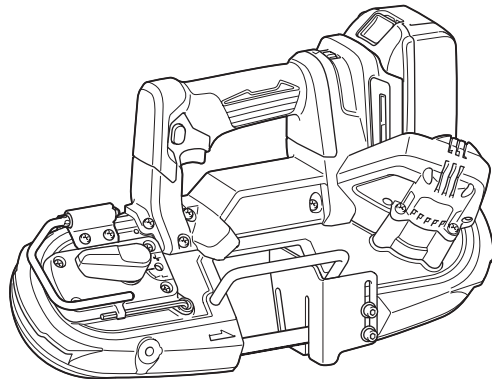
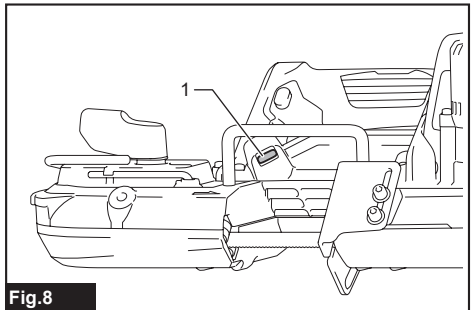
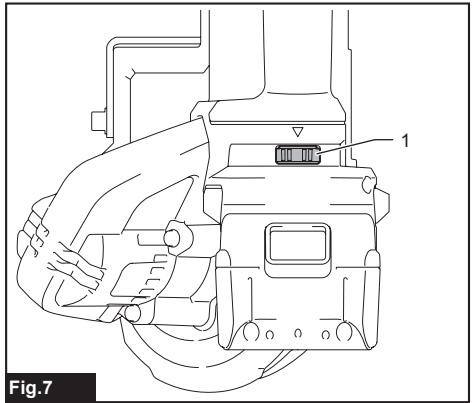
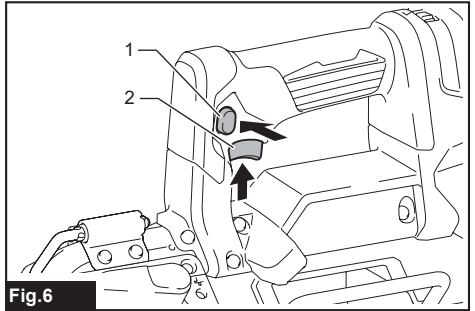
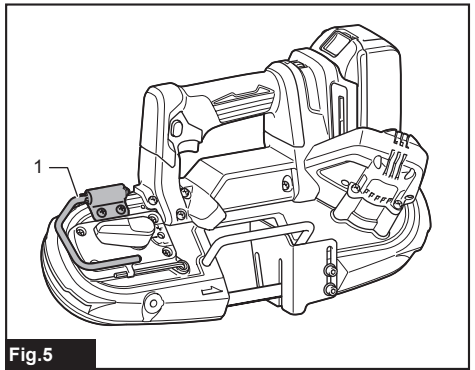
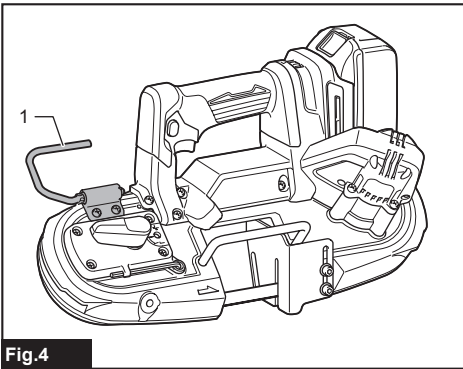
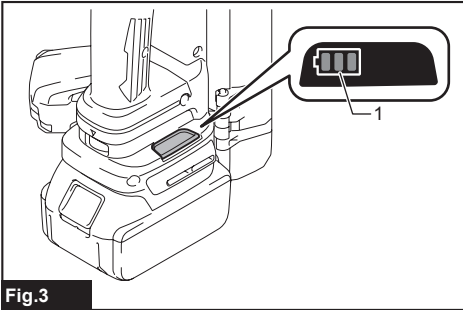
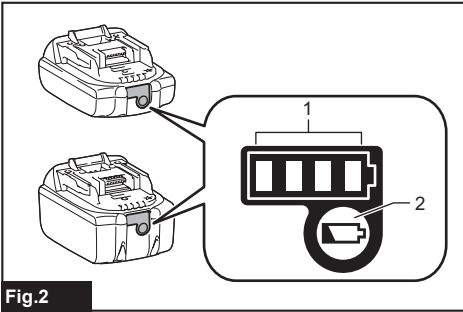
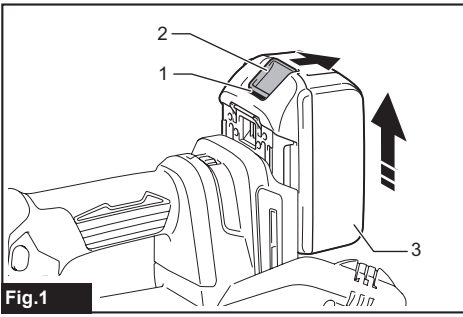




<b>EN</b>	<b>Cordless Portable Band Saw</b>	<b>INSTRUCTION MANUAL</b>	<b>5</b>
<b>ZHCN</b>	<b>充电式轻便带锯</b>	<b>使用说明书</b>	<b>13</b>
<b>ID</b>	<b>Mesin Gergaji Pita Portabel Tanpa Kabel</b>	<b>PETUNJUK PENGGUNAAN</b>	<b>21</b>
<b>MS</b>	<b>Gergaji Gelung Mudah alih Tanpa kord</b>	<b>MANUAL ARAHAN</b>	<b>30</b>
<b>VI</b>	<b>Máy Cưa Vòng Cầm Tay Hoạt Động Bằng Pin</b>	<b>TÀI LIỆU HƯỚNG DẪN</b>	<b>39</b>
<b>TH</b>	<b>เลื่อยสายพานไร้สายแบบพกพา</b>	<b>คู่มือการใช้งาน</b>	<b>47</b>

## DPB183





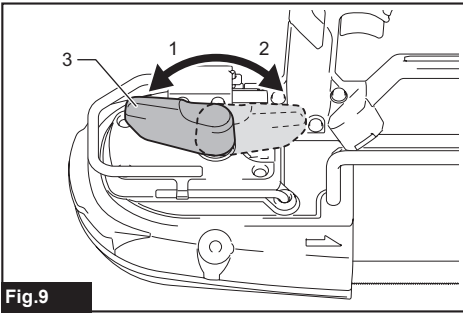


Fig.9

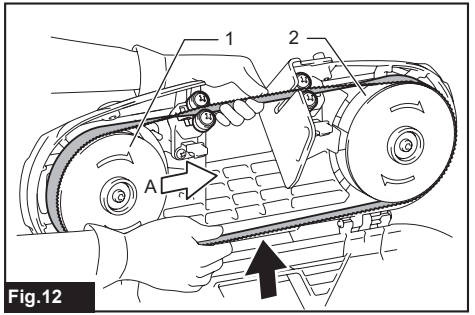


Fig.12

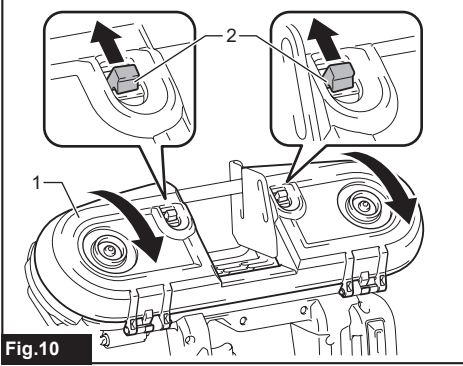


Fig.10

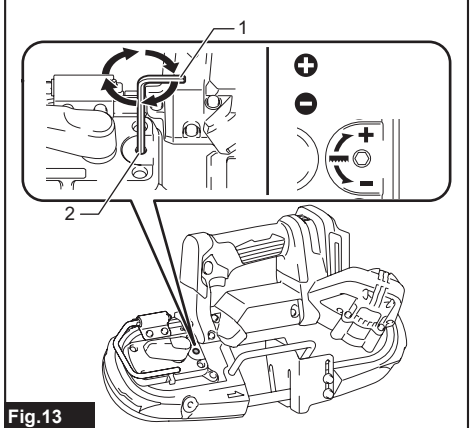


Fig.13

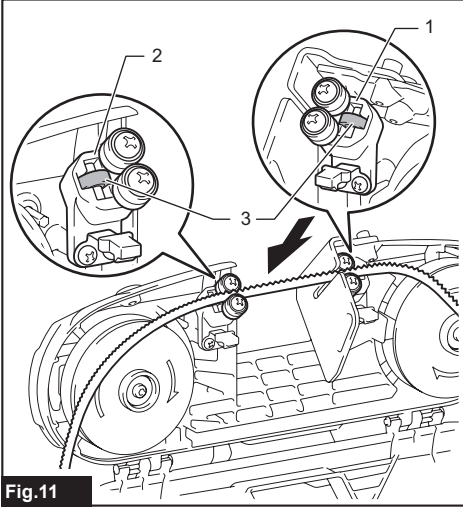


Fig.11

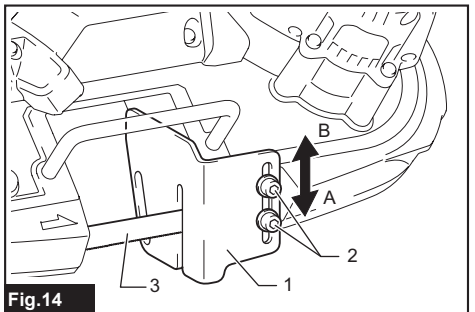


Fig.14

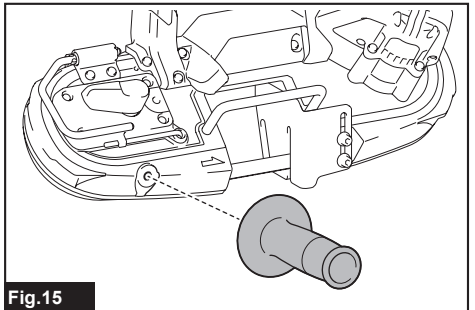
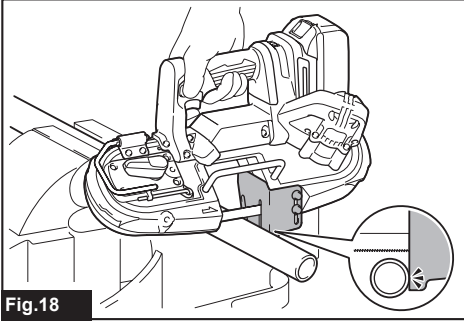
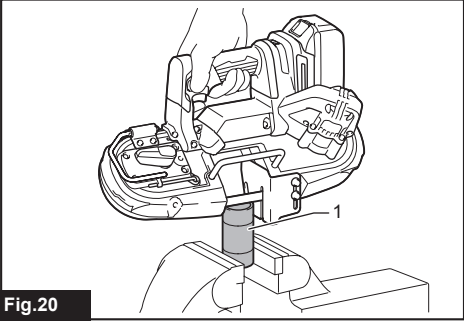
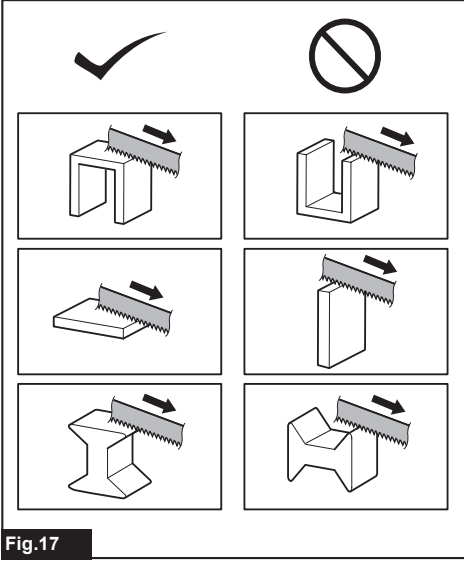
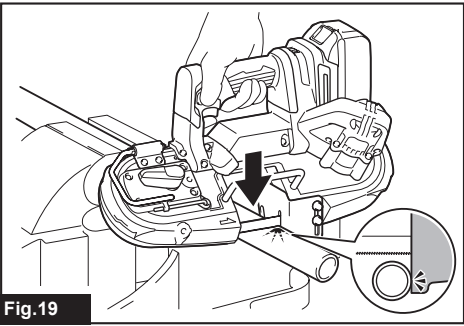
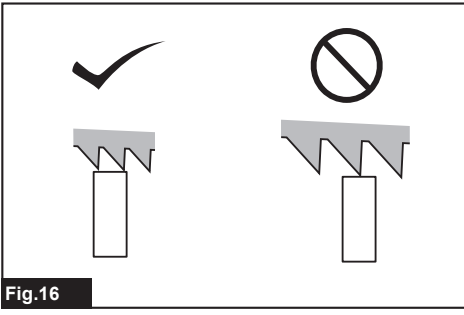


Fig.15





# SPECIFICATIONS

<b>Model:</b>		<b>DPB183</b>
Max. cutting capacity	Round workpiece	66 mm dia.
	Rectangular workpiece	66 mm x 66 mm
Blade speed		0 - 3.2 m/s (0 - 190 m/min)
Blade size	Length	835 mm
	Width	13 mm
	Thickness	0.5 mm
Dimensions (L x W x H) without wheel cover		392 mm x 174 mm x 242 mm
Rated voltage		D.C. 18 V
Net weight without wheel cover		3.6 - 3.9 kg

- Due to our continuing program of research and development, the specifications herein are subject to change without notice.
- Specifications may differ from country to country.
- The weight may differ depending on the attachment(s), including the battery cartridge. The lightest and heaviest combination, according to EPTA-Procedure 01/2014, are shown in the table.

## Applicable battery cartridge and charger

Battery cartridge	BL1815N / BL1820 / BL1820B / BL1830 / BL1830B / BL1840 / BL1840B / BL1850 / BL1850B / BL1860B
Charger	DC18RC / DC18RD / DC18RE / DC18SD / DC18SE / DC18SF / DC18SH

- Some of the battery cartridges and chargers listed above may not be available depending on your region of residence.

**⚠ WARNING: Only use the battery cartridges and chargers listed above.** Use of any other battery cartridges and chargers may cause injury and/or fire.

## Symbols

The followings show the symbols which may be used for the equipment. Be sure that you understand their meaning before use.



Read instruction manual.



Wear safety glasses.



Ni-MH  
Li-Ion

Only for EU countries  
Do not dispose of electric equipment or battery pack together with household waste material!  
In observance of the European Directives, on Waste Electric and Electronic Equipment and Batteries and Accumulators and Waste Batteries and Accumulators and their implementation in accordance with national laws, electric equipment and batteries and battery pack(s) that have reached the end of their life must be collected separately and returned to an environmentally compatible recycling facility.

## Intended use

The tool is intended for cutting in plastic and ferrous materials.

# SAFETY WARNINGS

## General power tool safety warnings

**⚠ WARNING: Read all safety warnings, instructions, illustrations and specifications provided with this power tool.** Failure to follow all instructions listed below may result in electric shock, fire and/or serious injury.

## Save all warnings and instructions for future reference.

The term "power tool" in the warnings refers to your mains-operated (corded) power tool or battery-operated (cordless) power tool.

## Work area safety

1. **Keep work area clean and well lit.** Cluttered or dark areas invite accidents.
2. **Do not operate power tools in explosive atmospheres, such as in the presence of flammable liquids, gases or dust.** Power tools create sparks which may ignite the dust or fumes.
3. **Keep children and bystanders away while operating a power tool.** Distractions can cause you to lose control.

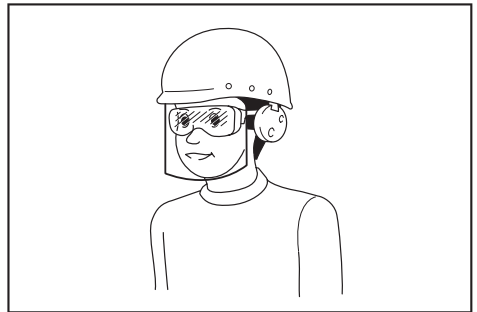
## Electrical safety

1. **Power tool plugs must match the outlet. Never modify the plug in any way. Do not use any adapter plugs with earthed (grounded) power tools.** Unmodified plugs and matching outlets will reduce risk of electric shock.
2. **Avoid body contact with earthed or grounded surfaces, such as pipes, radiators, ranges and refrigerators.** There is an increased risk of electric shock if your body is earthed or grounded.
3. **Do not expose power tools to rain or wet conditions.** Water entering a power tool will increase the risk of electric shock.
4. **Do not abuse the cord. Never use the cord for carrying, pulling or unplugging the power tool. Keep cord away from heat, oil, sharp edges or moving parts.** Damaged or entangled cords increase the risk of electric shock.
5. **When operating a power tool outdoors, use an extension cord suitable for outdoor use.** Use of a cord suitable for outdoor use reduces the risk of electric shock.
6. **If operating a power tool in a damp location is unavoidable, use a residual current device (RCD) protected supply.** Use of an RCD reduces the risk of electric shock.
7. **Power tools can produce electromagnetic fields (EMF) that are not harmful to the user.** However, users of pacemakers and other similar medical devices should contact the maker of their device and/or doctor for advice before operating this power tool.

## Personal safety

1. **Stay alert, watch what you are doing and use common sense when operating a power tool. Do not use a power tool while you are tired or under the influence of drugs, alcohol or medication.** A moment of inattention while operating power tools may result in serious personal injury.
2. **Use personal protective equipment. Always wear eye protection.** Protective equipment such as a dust mask, non-skid safety shoes, hard hat or hearing protection used for appropriate conditions will reduce personal injuries.
3. **Prevent unintentional starting. Ensure the switch is in the off-position before connecting to power source and/or battery pack, picking up or carrying the tool.** Carrying power tools with your finger on the switch or energising power tools that have the switch on invites accidents.
4. **Remove any adjusting key or wrench before turning the power tool on.** A wrench or a key left attached to a rotating part of the power tool may result in personal injury.

5. **Do not overreach. Keep proper footing and balance at all times.** This enables better control of the power tool in unexpected situations.
6. **Dress properly. Do not wear loose clothing or jewellery. Keep your hair and clothing away from moving parts.** Loose clothes, jewellery or long hair can be caught in moving parts.
7. **If devices are provided for the connection of dust extraction and collection facilities, ensure these are connected and properly used.** Use of dust collection can reduce dust-related hazards.
8. **Do not let familiarity gained from frequent use of tools allow you to become complacent and ignore tool safety principles.** A careless action can cause severe injury within a fraction of a second.
9. **Always wear protective goggles to protect your eyes from injury when using power tools. The goggles must comply with ANSI Z87.1 in the USA, EN 166 in Europe, or AS/NZS 1336 in Australia/New Zealand. In Australia/New Zealand, it is legally required to wear a face shield to protect your face, too.**



It is an employer's responsibility to enforce the use of appropriate safety protective equipments by the tool operators and by other persons in the immediate working area.

## Power tool use and care

1. **Do not force the power tool. Use the correct power tool for your application.** The correct power tool will do the job better and safer at the rate for which it was designed.
2. **Do not use the power tool if the switch does not turn it on and off.** Any power tool that cannot be controlled with the switch is dangerous and must be repaired.
3. **Disconnect the plug from the power source and/or remove the battery pack, if detachable, from the power tool before making any adjustments, changing accessories, or storing power tools.** Such preventive safety measures reduce the risk of starting the power tool accidentally.
4. **Store idle power tools out of the reach of children and do not allow persons unfamiliar with the power tool or these instructions to operate the power tool.** Power tools are dangerous in the hands of untrained users.

5. **Maintain power tools and accessories. Check for misalignment or binding of moving parts, breakage of parts and any other condition that may affect the power tool's operation. If damaged, have the power tool repaired before use.** Many accidents are caused by poorly maintained power tools.
6. **Keep cutting tools sharp and clean.** Properly maintained cutting tools with sharp cutting edges are less likely to bind and are easier to control.
7. **Use the power tool, accessories and tool bits etc. in accordance with these instructions, taking into account the working conditions and the work to be performed.** Use of the power tool for operations different from those intended could result in a hazardous situation.
8. **Keep handles and grasping surfaces dry, clean and free from oil and grease.** Slippery handles and grasping surfaces do not allow for safe handling and control of the tool in unexpected situations.
9. **When using the tool, do not wear cloth work gloves which may be entangled.** The entanglement of cloth work gloves in the moving parts may result in personal injury.

#### Battery tool use and care

1. **Recharge only with the charger specified by the manufacturer.** A charger that is suitable for one type of battery pack may create a risk of fire when used with another battery pack.
2. **Use power tools only with specifically designated battery packs.** Use of any other battery packs may create a risk of injury and fire.
3. **When battery pack is not in use, keep it away from other metal objects, like paper clips, coins, keys, nails, screws or other small metal objects, that can make a connection from one terminal to another.** Shorting the battery terminals together may cause burns or a fire.
4. **Under abusive conditions, liquid may be ejected from the battery; avoid contact. If contact accidentally occurs, flush with water. If liquid contacts eyes, additionally seek medical help.** Liquid ejected from the battery may cause irritation or burns.
5. **Do not use a battery pack or tool that is damaged or modified.** Damaged or modified batteries may exhibit unpredictable behaviour resulting in fire, explosion or risk of injury.
6. **Do not expose a battery pack or tool to fire or excessive temperature.** Exposure to fire or temperature above 130 °C may cause explosion.
7. **Follow all charging instructions and do not charge the battery pack or tool outside the temperature range specified in the instructions.** Charging improperly or at temperatures outside the specified range may damage the battery and increase the risk of fire.

#### Service

1. **Have your power tool serviced by a qualified repair person using only identical replacement parts.** This will ensure that the safety of the power tool is maintained.
2. **Never service damaged battery packs.** Service of battery packs should only be performed by the manufacturer or authorized service providers.
3. **Follow instruction for lubricating and changing accessories.**

### Cordless Portable Band Saw Safety Warnings

1. **Hold power tool by insulated gripping surfaces, when performing an operation where the cutting accessory may contact hidden wiring.** Cutting accessories contacting a "live" wire may make exposed metal parts of the power tool "live" and could give the operator an electric shock.
2. **Use only blades which are listed in "SPECIFICATIONS".**
3. **Check the blade carefully for cracks or damage before operation. Replace cracked or damaged blade immediately.**
4. **Secure the workpiece firmly. When cutting a bundle of workpieces, be sure that all workpieces are secured together firmly before cutting.**
5. **Cutting workpieces covered with oil can cause the blade to come off unexpectedly. Wipe off all excess oil from workpieces before cutting.**
6. **Never use the cutting oil as a cutting lubricant. Use only Makita cutting wax.**
7. **Hold the tool firmly.**
8. **Keep hands away from rotating parts.**
9. **When cutting metal, be cautious of hot flying chips.**
10. **Do not leave the tool running unattended.**
11. **Do not touch the blade or the workpiece immediately after operation; they may be extremely hot and could burn your skin.**

### Important safety instructions for battery cartridge

1. **Before using battery cartridge, read all instructions and cautionary markings on (1) battery charger, (2) battery, and (3) product using battery.**
2. **Do not disassemble battery cartridge.**
3. **If operating time has become excessively shorter, stop operating immediately. It may result in a risk of overheating, possible burns and even an explosion.**
4. **If electrolyte gets into your eyes, rinse them out with clear water and seek medical attention right away. It may result in loss of your eyesight.**

5. **Do not short the battery cartridge:**
  - (1) **Do not touch the terminals with any conductive material.**
  - (2) **Avoid storing battery cartridge in a container with other metal objects such as nails, coins, etc.**
  - (3) **Do not expose battery cartridge to water or rain.**

A battery short can cause a large current flow, overheating, possible burns and even a breakdown.

6. **Do not store the tool and battery cartridge in locations where the temperature may reach or exceed 50 °C (122 °F).**
7. **Do not incinerate the battery cartridge even if it is severely damaged or is completely worn out. The battery cartridge can explode in a fire.**
8. **Be careful not to drop or strike battery.**
9. **Do not use a damaged battery.**
10. **The contained lithium-ion batteries are subject to the Dangerous Goods Legislation requirements.**

For commercial transports e.g. by third parties, forwarding agents, special requirement on packaging and labeling must be observed.

For preparation of the item being shipped, consulting an expert for hazardous material is required. Please also observe possibly more detailed national regulations.

Tape or mask off open contacts and pack up the battery in such a manner that it cannot move around in the packaging.

11. **When disposing the battery cartridge, remove it from the tool and dispose of it in a safe place. Follow your local regulations relating to disposal of battery.**
12. **Use the batteries only with the products specified by Makita.** Installing the batteries to non-compliant products may result in a fire, excessive heat, explosion, or leak of electrolyte.
13. **If the tool is not used for a long period of time, the battery must be removed from the tool.**

## SAVE THESE INSTRUCTIONS.

**CAUTION:** Only use genuine Makita batteries. Use of non-genuine Makita batteries, or batteries that have been altered, may result in the battery bursting causing fires, personal injury and damage. It will also void the Makita warranty for the Makita tool and charger.

## Tips for maintaining maximum battery life

1. **Charge the battery cartridge before completely discharged. Always stop tool operation and charge the battery cartridge when you notice less tool power.**
2. **Never recharge a fully charged battery cartridge. Overcharging shortens the battery service life.**
3. **Charge the battery cartridge with room temperature at 10 °C - 40 °C (50 °F - 104 °F). Let a hot battery cartridge cool down before charging it.**
4. **Charge the battery cartridge if you do not use it for a long period (more than six months).**

## FUNCTIONAL DESCRIPTION

**CAUTION:** Always be sure that the tool is switched off and the battery cartridge is removed before adjusting or checking function on the tool.

## Installing or removing battery cartridge

**CAUTION:** Always switch off the tool before installing or removing of the battery cartridge.

**CAUTION:** Hold the tool and the battery cartridge firmly when installing or removing battery cartridge. Failure to hold the tool and the battery cartridge firmly may cause them to slip off your hands and result in damage to the tool and battery cartridge and a personal injury.

► Fig.1: 1. Red indicator 2. Button 3. Battery cartridge

To remove the battery cartridge, slide it from the tool while sliding the button on the front of the cartridge.

To install the battery cartridge, align the tongue on the battery cartridge with the groove in the housing and slip it into place. Insert it all the way until it locks in place with a little click. If you can see the red indicator on the upper side of the button, it is not locked completely.

**CAUTION:** Always install the battery cartridge fully until the red indicator cannot be seen. If not, it may accidentally fall out of the tool, causing injury to you or someone around you.






















**CAUTION:** Do not install the battery cartridge forcibly. If the cartridge does not slide in easily, it is not being inserted correctly.

## Indicating the remaining battery capacity

Only for battery cartridges with the indicator

► Fig.2: 1. Indicator lamps 2. Check button

Press the check button on the battery cartridge to indicate the remaining battery capacity. The indicator lamps light up for a few seconds.

Indicator lamps			Remaining capacity
Lighted	Off	Blinking	
			75% to 100%
			50% to 75%
			25% to 50%
			0% to 25%
			Charge the battery.
			The battery may have malfunctioned.
			













**NOTE:** Depending on the conditions of use and the ambient temperature, the indication may differ slightly from the actual capacity.

## Indicating the remaining battery capacity

Country specific

► Fig.3: 1. Battery indicator

When you pull the switch trigger, the LED display shows the remaining battery capacity. The remaining battery capacity is shown as the following table.

Battery indicator status			Remaining battery capacity
On	Off	Blinking	
			50% to 100%
			20% to 50%
			0% to 20%
			Charge the battery

**NOTE:** When the LED display goes off, the tool is turned off to save the battery power. To check the remaining battery capacity, slightly pull the switch trigger.

**NOTE:** The LED display goes off approximately one minute after releasing the switch trigger.

**NOTE:** When the LED display lights up and the tool stops even with a recharged battery cartridge, cool down the tool fully. If the status will not change, stop using and have the tool repaired by a Makita local service center.

## Tool / battery protection system

The tool is equipped with a tool/battery protection system. This system automatically cuts off power to the motor to extend tool and battery life. The tool will automatically stop during operation if the tool or battery is placed under one of the following conditions:

### Overload protection

When the battery is operated in a manner that causes it to draw an abnormally high current, the tool automatically stops without any indication. In this situation, turn the tool off and stop the application that caused the tool to become overloaded. Then turn the tool on to restart.

### Overheat protection

When the tool is overheated, the tool stops automatically and the lamp starts blinking. In this situation, let the tool and battery cool before turning the tool on again.

### Overdischarge protection

When the battery capacity is not enough, the tool stops automatically. In this case, remove the battery from the tool and charge the battery.

## Hook

**CAUTION:** Never hang the tool at high or potentially unstable location.

The hook is convenient for hanging the tool temporarily. To use the hook, simply lift up hook until it snaps into the open position.

When not in use, always lower hook until it snaps into the closed position.

**Open position**

► Fig.4: 1. Hook

**Closed position**

► Fig.5: 1. Hook

## Switch action

**⚠ WARNING:** Before installing the battery cartridge into the tool, always check to see that the switch trigger actuates properly and returns to the “OFF” position when released.

**⚠ WARNING:** NEVER defeat the lock-off button by taping down or some other means. A switch with a negated lock-off button may result in unintentional operation and serious personal injury.

**⚠ WARNING:** NEVER use the tool if it runs when you simply pull the switch trigger without pressing the lock-off button. A switch in need of repair may result in unintentional operation and serious personal injury. Return tool to a Makita service center for proper repairs BEFORE further usage.

To prevent the switch trigger from being accidentally pulled, a lock-off button is provided. To start the tool, depress the lock-off button and pull the switch trigger. Tool speed is increased by increasing pressure on the switch trigger. Release the switch trigger to stop.

► Fig.6: 1. Lock-off button 2. Switch trigger

## Speed adjusting dial

► Fig.7: 1. Speed adjusting dial

The tool speed can be infinitely adjusted between 1.3 m/s and 3.2 m/s by turning the adjusting dial. Higher speed is obtained when the dial is turned in the direction of number 6; lower speed is obtained when it is turned in the direction of number 1.

Select the proper speed for the workpiece to be cut.

**NOTICE:** When changing the speed dial from “6” to “1”, turn the dial counterclockwise. Do not turn the dial clockwise forcibly.

**NOTICE:** Plastic materials may melt when cutting at high speeds.

## Lighting up the front lamp

**⚠ CAUTION:** Do not look in the light or see the source of light directly.

Pull the switch trigger to light up the lamp. The lamp keeps on lighting while the switch trigger is being pulled. The lamp goes out approximately 10 seconds after releasing the switch trigger.

► Fig.8: 1. Lamp

**NOTE:** Do not apply impact to the lamp, which may cause damage or shorted service time to it.

**NOTE:** Use a dry cloth to wipe the dirt off the lens of the lamp. Be careful not to scratch the lens of lamp, or it may lower the illumination.

**NOTE:** When the tool is overheated, the lamp blinks for one minute, and then goes off. In this case, cool down the tool before operating again.

## ASSEMBLY

**⚠ CAUTION:** Always be sure that the tool is switched off and the battery cartridge is removed before carrying out any work on the tool.

## Installing or removing the band saw blade

**⚠ CAUTION:** Oil on the band saw blade can cause the blade to slip or come off unexpectedly. Wipe off all excess oil with a cloth before installing the band saw blade.

**⚠ CAUTION:** Always wear protective gloves when handling the band saw blade.

**⚠ CAUTION:** Use caution when handling the band saw blade to avoid cut by the sharp edge of the blade teeth.

**⚠ CAUTION:** Keep your body away from the band saw blade when checking the blade movement.

**⚠ CAUTION:** When turning the blade tightening lever clockwise to release the tension on the band saw blade, point the tool downward because the band saw blade may come off unexpectedly.

To install the band saw blade:

1. Turn the blade tightening lever clockwise until it stops to loosen the wheel.

► Fig.9: 1. Tighten 2. Loosen 3. Blade tightening lever

2. Open the wheel cover.

► Fig.10: 1. Wheel cover 2. Hook

**NOTICE:** When opening the wheel cover, open and release both the hooks simultaneously. Opening only one hook may cause crack on the wheel cover.

3. Match the direction of the arrows on the band saw blade and on the wheels.

4. Insert the non-serrated side of the band saw blade into the upper holder and lower holder. Make sure the band saw blade in both upper and lower holder touches to the bottom bearings.

► Fig.11: 1. Lower holder 2. Upper holder 3. Bottom bearing

5. With pressing the middle part of the band saw blade, position the blade around one wheel. Moving the wheel to A side makes it easier to do so.

► Fig.12: 1. Wheel 2. Rubber tire

6. Position the band saw blade on the other wheel similarly.

7. Position the edge of the band saw blade on rubber tire.

8. Hold the band saw blade in place and turn the blade tightening lever counterclockwise until it stops. This places proper tension on the band saw blade.

9. Close the wheel cover.

**NOTICE:** Make sure that the band saw blade is correctly positioned around the wheels.

**NOTICE:** Start and stop the tool two or three times to make sure that the band saw blade runs properly on the wheels.

To remove the band saw blade, follow the installation procedure in reverse.

## Adjusting blade track

When the band saw blade tends to slip out from the wheel, adjust the blade track.

To adjust, insert the hex wrench into the adjustment hole as illustrated and make a quarter turn clockwise. After that, check if the band saw blade does not slip out. If it still slips out, make another quarter turn and check until the band saw blade does not slip out.

► **Fig.13:** 1. Hex wrench 2. Adjustment hole

## Adjusting the stopper plate position

In the ordinary operation, protrude the stopper plate to the A side fully.

When the stopper plate hits against the obstacles such as a wall or the like at the finishing of a cut, loosen two bolts and slide it to the B side in the figure.

After sliding the stopper plate, secure it by tightening two bolts firmly.

► **Fig.14:** 1. Stopper plate 2. Bolts 3. Band saw blade

## Installing side grip (handle)

### Optional accessory

Screw the side grip securely into the position of the tool as shown in the figure.

► **Fig.15**

# OPERATION

**CAUTION:** Always insert the battery cartridge all the way until it locks in place. If you can see the red indicator on the upper side of the button, it is not locked completely. Insert it fully until the red indicator cannot be seen. If not, it may accidentally fall out of the tool, causing injury to you or someone around you.

**CAUTION:** Always hold the handle. Never hold the tool body or guards. Hands may slip from these locations and contact with the band saw blade. It may result in personal injury.

**CAUTION:** Make sure that the wheel cover is closed securely.

**CAUTION:** Make sure to hold the tool firmly when turning on or off the tool or when cutting. Otherwise the tool may fall and cause personal injury.

**CAUTION:** Always wear gloves to protect your hands from hot flying chips when cutting metal.

**CAUTION:** Keep your body and face away from the band saw blade and flying chips.

For stable cut, always keep at least two teeth in the cut.

► **Fig.16**

Apply the band saw blade to the suitable cutting position on the workpiece as illustrated.

► **Fig.17**

1. Hold the tool as illustrated.

Before turning on the tool, always make sure that the stopper plate contacts the workpiece and the band saw blade is clear of the workpiece.

► **Fig.18**

2. Turn the tool on. Gently lower the blade into the cut. The weight of the tool or slightly pressing the tool will supply adequate pressure for the cutting. Do not force the tool.

► **Fig.19**

3. As you reach the end of a cut, release pressure and lift the tool slightly so that the tool will not fall against the workpiece.

**NOTICE:** Applying excessive pressure to the tool or twisting of the band saw blade may cause bevel cutting or damage to the blade.

**NOTICE:** When not using the tool for a long period of time, remove the band saw blade from the tool.

**NOTICE:** If the tool is operated continuously until the battery cartridge has discharged, allow the tool to rest for 15 minutes before proceeding with a fresh battery.



## Cutting lubricant

### Optional accessory

**⚠ CAUTION:** Never use cutting oil or apply excessive amount of wax to the band saw blade. It may cause the blade to slip or come off unexpectedly.

**⚠ CAUTION:** When cutting cast iron, do not use any cutting wax.

When cutting metals, use Makita cutting wax as a cutting lubricant. To apply the cutting wax to the teeth of the band saw blade, remove a cap of the cutting wax, start the tool and cut into the cutting wax as illustrated.

► Fig.20: 1. Cutting wax

## MAINTENANCE

**⚠ CAUTION:** Always be sure that the tool is switched off and the battery cartridge is removed before attempting to perform inspection or maintenance.

**NOTICE:** Never use gasoline, benzine, thinner, alcohol or the like. Discoloration, deformation or cracks may result.

To maintain product SAFETY and RELIABILITY, repairs, any other maintenance or adjustment should be performed by Makita Authorized or Factory Service Centers, always using Makita replacement parts.

## Cleaning

**⚠ CAUTION:** Wax and chips on the rubber tires on the wheel may cause the band saw blade to slip and come off unexpectedly. Use a dry cloth to remove wax and chips from the rubber tires.

After use, remove wax, chips and dust from the tool, rubber tires on the wheel and the band saw blade.

## Replacing rubber tires on the wheels

Replace the rubber tires when the band saw blade slips or does not track properly because of badly worn tires. To replace the rubber tire, ask for the Makita Authorized or Factory Service Centers.

## OPTIONAL ACCESSORIES

**⚠ CAUTION:** These accessories or attachments are recommended for use with your Makita tool specified in this manual. The use of any other accessories or attachments might present a risk of injury to persons. Only use accessory or attachment for its stated purpose.

If you need any assistance for more details regarding these accessories, ask your local Makita Service Center.

- Makita genuine battery and charger
- Band saw blades
- Cutting wax
- Grip 36

**NOTE:** Some items in the list may be included in the tool package as standard accessories. They may differ from country to country.



## 规格

型号:	DPB183	
最大剪切能力	圆形工件	66 mm 直径
	矩形工件	66 mm × 66 mm
锯片速度	0 - 3.2 m/s (0 - 190 m/min)	
锯片尺寸	长度	835 mm
	宽度	13 mm
	厚度	0.5 mm
尺寸 (长×宽×高) (不含轮罩)	392 mm × 174 mm × 242 mm	
额定电压	D.C. 18 V	
净重 (不含轮罩)	3.6 - 3.9 kg	

- 生产者保留变更规格不另行通知之权利。
- 规格可能因销往国家之不同而异。
- 重量因附件 (包括电池组) 而异。根据EPTA-Procedure 01/2014, 最重与最轻的组合见表格。

## 适用电池组和充电器

电池组	BL1815N / BL1820 / BL1820B / BL1830 / BL1830B / BL1840 / BL1840B / BL1850 / BL1850B / BL1860B
充电器	DC18RC / DC18RD / DC18RE / DC18SD / DC18SE / DC18SF / DC18SH

- 部分以上所列电池组和充电器是否适用视用户所在地区而异。

**警告：** 请仅使用以上所列电池组和充电器。使用其他类型的电池组或充电器可能会导致人身伤害和 / 或失火。

## 符号

以下显示本设备可能会使用的符号。在使用工具之前, 请务必理解其含义。



阅读使用说明书。



佩带安全眼镜。



仅限于欧盟国家  
请勿将电气设备或电池组与家庭普通废弃物一同丢弃！请务必遵守欧洲关于废弃电子电气设备、电池和蓄电池以及废弃电池和蓄电池的指令并根据法律法规执行。达到使用寿命的电气设备和电池组必须分类回收至符合环境保护规定的再循环机构。

## 用途

本工具用于切割塑料和铁质材料。

# 安全警告

## 电动工具通用安全警告

**警告：** 阅读随电动工具提供的所有安全警告、说明、图示和规定。不遵照以下所列说明会导致电击、着火和 / 或严重伤害。

### 保存所有警告和说明书以备查阅。

警告中的术语“电动工具”是指市电驱动（有线）电动工具或电池驱动（无线）电动工具。

#### 工作场地的安全

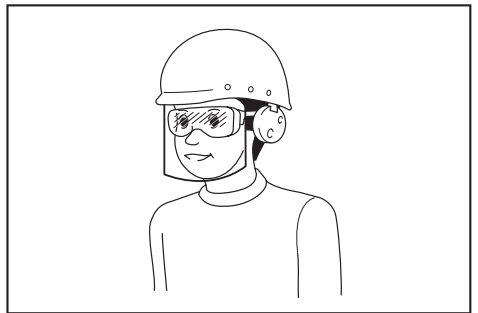
1. 保持工作场地清洁和明亮。杂乱和黑暗的场地会引发事故。
2. 不要在易爆环境，如有易燃液体、气体或粉尘的环境下操作电动工具。电动工具产生的火花会点燃粉尘或气体。
3. 操作电动工具时，远离儿童和旁观者。注意力不集中会使你失去对工具的控制。

#### 电气安全

1. 电动工具插头必须与插座相配。绝不能以任何方式改装插头。需接地的电动工具不能使用任何转换插头。未经改装的插头和相配的插座将降低电击风险。
2. 避免人体接触接地表面，如管道、散热片和冰箱。如果你身体接触接地表面会增加电击风险。
3. 不得将电动工具暴露在雨中或潮湿环境中。水进入电动工具将增加电击风险。
4. 不得滥用软线。绝不能用软线搬运、拉动电动工具或拔出其插头。使软线远离热源、油、锐边或运动部件。受损或缠绕的软线会增加电击风险。
5. 当在户外使用电动工具时，使用适合户外使用的延长线。适合户外使用的电线将降低电击风险。
6. 如果无法避免在潮湿环境中操作电动工具，应使用带有剩余电流装置（RCD）保护的电源。RCD的使用可降低电击风险。
7. 电动工具会产生对用户无害的电磁场（EMF）。但是，起搏器和其他类似医疗设备的用户应在操作本电动工具前咨询其设备的制造商和 / 或医生寻求建议。

#### 人身安全

1. 保持警觉，当操作电动工具时关注所从事的操作并保持清醒。当你感到疲倦，或在有药物、酒精或治疗反应时，不要操作电动工具。在操作电动工具时瞬间的疏忽会导致严重人身伤害。
2. 使用个人防护装置。始终佩戴护目镜。防护装置，诸如适当条件下使用防尘面具、防滑安全鞋、安全帽、听力防护等装置能减少人身伤害。
3. 防止意外起动。在连接电源和/或电池包、拿起或搬运工具前确保开关处于关闭位置。手指放在开关上搬运工具或开关处于接通时通电会导致危险。
4. 在电动工具接通之前，拿掉所有调节钥匙或扳手。遗留在电动工具旋转零件上的扳手或钥匙会导致人身伤害。
5. 手不要过分伸展。时刻注意立足点和身体平衡。这样能在意外情况下能更好地控制住电动工具。
6. 着装适当。不要穿宽松衣服或佩戴饰品。让你的头发和衣服远离运动部件。宽松衣服、佩饰或长发可能会卷入运动部件。
7. 如果提供了与排屑、集尘设备连接用的装置，要确保其连接完好且使用得当。使用集尘装置可降低尘屑引起的危险。
8. 不要因为频繁使用工具而产生的熟悉感而掉以轻心，忽视工具的安全准则。某个粗心的动作可能在瞬间导致严重的伤害。
9. 使用电动工具时请始终佩戴护目镜以免伤害眼睛。护目镜须符合美国ANSI Z87.1、欧洲EN 166或者澳大利亚 / 新西兰的AS/NZS 1336的规定。在澳大利亚 / 新西兰，法律要求佩戴面罩保护脸部。



雇主有责任监督工具操作者和其他近工作区域人员佩戴合适的安全防护设备。

## 电动工具使用和注意事项

1. 不要勉强使用电动工具，根据用途使用合适的电动工具。选用合适的按照额定值设计的电动工具会使你工作更有效、更安全。
2. 如果开关不能接通或关断电源，则不能使用该电动工具。不能通过开关来控制电动工具是危险的且必须进行修理。
3. 在进行任何调节、更换附件或贮存电动工具之前，必须从电源上拔掉插头和/或卸下电池包（如可拆卸）。这种防护性的安全措施降低了电动工具意外起动的风险。
4. 将闲置不用的电动工具贮存在儿童所及范围之外，并且不允许不熟悉电动工具和不了解这些说明的人操作电动工具。电动工具在未经培训的使用者手中是危险的。
5. 维护电动工具及其附件。检查运动部件是否调整到位或卡住，检查零件破损情况和影响电动工具运行的其他状况。如有损坏，应在使用前修理好电动工具。许多事故是由维护不良的电动工具引发的。
6. 保持切削刀具锋利和清洁。维护良好地有锋利切削刃的刀具不易卡住而且容易控制。
7. 按照使用说明书，并考虑作业条件和要进行的作业来选择电动工具、附件和工具的刀头等。将电动工具用于那些与其用途不符的操作可能会导致危险情况。
8. 保持手柄和握持表面干燥、清洁，不得沾有油脂。在意外的情况下，湿滑的手柄不能保证握持的安全和对工具的控制。
9. 使用本工具时，请勿佩戴可能会缠绕的布质工作手套。布质工作手套卷入移动部件可能会造成人身伤害。

## 电池式工具使用和注意事项

1. 仅使用生产者规定的充电器充电。将适用于某种电池包的充电器用到其他电池包时可能会发生着火危险。
2. 仅使用配有专用电池包的电动工具。使用其他电池包可能会产生伤害和着火危险。
3. 当电池包不用时，将它远离其他金属物体，例如回形针、硬币、钥匙、钉子、螺钉或其他小金属物体，以防电池包一端与另一端连接。电池组端部短路可能会引起燃烧或着火。

4. 在滥用条件下，液体可能会从电池组中溅出；应避免接触。如果意外碰到液体，用水冲洗。如果液体碰到了眼睛，还寻求医疗帮助。从电池中溅出的液体可能会发生腐蚀或燃烧。
5. 不要使用损坏或改装过的电池包或工具。损坏或改装过的电池组可能呈现无法预测的结果，导致着火、爆炸或伤害。
6. 不要将电池包暴露于火或高温中。电池包暴露于火或高于130 °C的高温中可能导致爆炸。
7. 遵循所有充电说明。不要在说明书中指定的温度范围之外给电池包或电动工具充电。不正确或在指定的温度范围外充电可能会损坏电池和增加着火的风险。

## 维修

1. 让专业维修人员使用相同的备件维修电动工具。这将保证所维修的电动工具的安全。
2. 决不能维修损坏的电池包。电池包仅能由生产者或其授权的维修服务商进行维修。
3. 上润滑油及更换附件时请遵循本说明书指示。

## 充电式轻便带锯使用安全警告

1. 当进行作业时切割附件可能会接触到隐藏的电线，请握住电动工具的绝缘抓握表面。切割附件接触到“带电”的电线时，电动工具上曝露的金属部分可能也会“带电”，并使操作者触电。
2. 请仅使用列于“规格”中的锯片。
3. 操作之前，请仔细检查锯片上是否有裂缝或损坏。应立即更换有裂缝或损坏的锯片。
4. 牢固固定工件。切割成束工件时，请在切割前确保所有工件紧紧固定在一起。
5. 切割覆盖有油层的工件可能导致锯片意外脱落。切割前，擦掉工件上所有过多的油脂。
6. 切勿使用切削油作为切割润滑油。请仅使用Makita（牧田）切削蜡。
7. 请牢握本工具。
8. 手应远离旋转的部件。
9. 切割金属时，请小心灼热的飞溅碎片。
10. 请勿在无人照看时运行工具。
11. 操作之后，请勿立刻触摸锯片或工件，因为它们可能会非常烫而导致烫伤皮肤。

## 电池组的重要安全注意事项

1. 在使用电池组之前，请仔细阅读所有的说明以及（1）电池充电器，（2）电池，以及（3）使用电池的产品上的警告标记。
2. 请勿拆解电池组。
3. 如果机器运行时间变得过短，请立即停止使用。否则可能会导致过热、起火甚至爆炸。
4. 如果电解液进入您的眼睛，用清水将其冲洗干净并立即就医。否则可能会导致视力受损。
5. 请勿使电池组短路：
  - （1）请勿使任何导电材料碰触到端子。
  - （2）避免将电池组与其他金属物品如钉子、硬币等放置在同一容器内。
  - （3）请勿将电池组置于水中或使其淋雨。电池短路将产生大的电流，导致过热，并可能导致起火甚至击穿。
6. 请勿将工具和电池组置于温度可能达到或超过50°C（122°F）的场所。
7. 即使电池组已经严重损坏或完全磨损，也请勿焚烧电池组。电池组会在火中爆炸。
8. 请小心，勿撞击电池或使其掉落。
9. 请勿使用损坏的电池。
10. 本工具附带的锂离子电池需符合危险品法规要求。

第三方或转运代理等进行商业运输时，应遵循包装和标识方面的特殊要求。有关运输项目的准备作业，咨询危险品方面的专业人士。同时，请遵守可能更为详尽的国家法规。

请使用胶带保护且勿遮掩表面的联络信息，并牢固封装电池，使电池在包装内不可动。
11. 丢弃电池组时，需将其从工具上卸下并在安全地带进行处理。关于如何处理废弃的电池，请遵循当地法规。
12. 仅将电池用于Makita（牧田）指定的产品。将电池安装至不兼容的产品会导致起火、过热、爆炸或电解液泄漏。
13. 如长时间未使用工具，必须将电池从工具内取出。

请保留此说明书。

**⚠小心：** 请仅使用Makita（牧田）原装电池。使用非Makita（牧田）原装电池或经过改装的电池可能会导致电池爆炸，从而造成火灾、人身伤害或物品受损。同时也会导致牧田工具和充电器的牧田保修服务失效。

## 保持电池最大使用寿命的提示

1. 在电池组电量完全耗尽前及时充电。发现工具电量低时，请停止工具操作，并给电池组充电。
2. 请勿对已充满电的电池组重新充电。过度充电将缩短电池的使用寿命。
3. 请在10°C - 40°C（50°F - 104°F）的室温条件下给电池组充电。请在灼热的电池组冷却后再充电。
4. 如果电池组长时间（超过六个月）未使用，请给其充电。

## 功能描述

**⚠小心：** 调节或检查工具功能之前，请务必关闭工具的电源并取出电池组。

## 安装或拆卸电池组

**⚠小心：** 安装或拆卸电池组之前，请务必关闭工具电源。

**⚠小心：** 安装或拆卸电池组时请握紧工具和电池组。否则它们可能从您的手中滑落，导致工具和电池组受损，甚至造成人身伤害。

► **图片1：** 1. 红色指示灯 2. 按钮 3. 电池组

拆卸电池组时，按下电池组前侧的按钮，同时将电池组从工具中抽出。

安装电池组时，要将电池组上的舌簧与外罩上的凹槽对齐，然后推滑到位。将其完全插入到位，直到电池组被锁定并发出卡嗒声为止。如果插入后仍能看到按钮上侧的红色指示灯，则说明电池组未完全锁紧。

**⚠小心：** 务必完全装入电池组，直至看不见红色指示灯。否则它可能会意外从工具中脱落，从而造成自身或他人受伤。

**⚠小心：** 请勿强行安装电池组。如果电池组难以插入，可能是插入方法不当。

## 显示电池的剩余电量

### 仅限带指示灯的电池组

► 图片2: 1. 指示灯 2. CHECK (查看) 按钮

按电池组上的CHECK (查看) 按钮可显示电池剩余电量。指示灯将亮起数秒。

指示灯			剩余电量
■ 点亮	□ 熄灭	▣ 闪烁	
■ ■ ■ ■			75%至100%
■ ■ ■ □			50%至75%
■ ■ □ □			25%至50%
■ □ □ □			0%至25%
▣ □ □ □			给电池充电。
■ ■ □ □ ↑ ↓ □ □ ■ ■			电池可能出现故障。

注: 在不同的使用条件及环境温度下, 指示灯所示电量可能与实际情况略有不同。

## 显示电池的剩余电量

### 规格因国家而异

► 图片3: 1. 电池指示灯

在扣动开关扳机时, LED显示屏会显示电池的剩余电量。电池剩余电量的显示如下表所示。

电池指示灯状态			剩余的 电池电量
■ 亮起	□ 熄灭	▣ 闪烁	
	□ □ □ □		50%至100%
	□ □ □ □		20%至50%
	□ □ □ □		0%至20%
	▣ □ □ □		给电 池充电

注: 当LED显示屏熄灭时, 工具关闭以节省电池电力。要检查剩余的电池电量, 轻轻扣动开关扳机即可。

注: 松开开关扳机约1分钟后LED显示屏熄灭。

注: 当使用重新充电的电池组后, 如果LED显示屏依然亮起且工具停止, 请完全冷却工具。如果状态仍未改变, 请停止使用工具, 并将工具送往当地的Makita (牧田) 维修中心进行修理。

## 工具 / 电池保护系统

本工具配备有工具 / 电池保护系统。该系统可自动切断电机电源以延长工具和电池寿命。作业时, 如果工具或电池处于以下情况, 工具将会自动停止运转。

### 过载保护

以导致异常高电流的方式操作电池时, 工具会自动停止运转, 指示灯不闪烁。在这种情况下, 请关闭工具并停止导致工具过载的应用操作。然后开启工具重新启动。

### 过热保护

工具过热时, 工具将自动停止运转且指示灯开始闪烁。在这种情况下, 请待工具和电池冷却后再重新开启工具。

### 过放电保护

电池电量不足时, 本工具自动停止运转。此时, 请取出工具中的电池并予以充电。

## 挂钩

**小心:** 切勿将工具悬挂在高处或可能不稳固的位置。

挂钩便于临时悬挂工具。

要使用挂钩时, 只需提起挂钩使其咬在打开位置即可。

不使用时, 务必压低挂钩使其咬在关闭位置。

### 打开位置

► 图片4: 1. 挂钩

### 关闭位置

► 图片5: 1. 挂钩



## 开关操作

**警告：** 在将电池组插入工具之前，请务必检查开关扳机是否能扣动自如，松开时能否退回至“OFF”（关闭）位置。

**警告：** 切勿通过封住锁止按钮或其他方法来弃用锁止按钮。在弃用开关锁止按钮的情况下使用工具时可能会出现意外运行的情况并导致严重的人身伤害。

**警告：** 如果当您只是扣动开关扳机而没有按下锁止按钮时，工具即开始运行，则切勿使用此工具。在开关需要维修的情况下使用工具时可能会出现意外运行的情况并导致严重的人身伤害。在进一步使用该工具之前，请将其送回Makita（牧田）维修中心进行正确的修理。

为避免使用者不小心扣动开关扳机，本工具采用锁止按钮。要启动工具时，按下锁止按钮，然后扣动开关扳机即可。随着施加在开关扳机上的压力逐渐增大，工具速度也会提高。松开开关扳机，工具即停止。

► **图片6：** 1. 锁止按钮 2. 开关扳机

## 转速调节刻度盘

► **图片7：** 1. 转速调节刻度盘

通过转动调节刻度盘，可在1.3 m/s和3.2 m/s的范围内无限调节工具速度。朝数字6方向旋转刻度盘时，转速递增；朝数字1方向旋转刻度盘时，转速递减。

为要切割的工作件选择合适的速度。

**注意：** 从“6”向“1”更改转速刻度盘时，请逆时针转动刻度盘。切勿强行顺时针转动刻度盘。

**注意：** 高速切割时，塑料材料可能会熔化。

## 点亮前灯

**小心：** 请勿直视灯光或光源。

扣动开关扳机以点亮照明灯。在扣动开关扳机期间，此灯保持常亮。松开开关扳机约10秒后，此灯将熄灭。

► **图片8：** 1. 照明灯

**注：** 不要撞击照明灯，否则可能导致其损坏或使用寿命缩短。

**注：** 请使用干布擦拭灯头灰。注意不要刮花灯头，否则会降低亮度。

**注：** 当工具过热时，灯会闪烁一分钟，随后熄灭。在这种情况下，请将工具冷却后再重新进行操作。

## 装配

**小心：** 对工具进行任何装配操作前，请务必关闭工具电源，并取出电池组。

## 安装或拆卸带锯锯片

**小心：** 带锯锯片上的油可导致锯片意外滑动或脱落。安装带锯锯片前，用布擦掉所有过多的油脂。

**小心：** 处理带锯锯片时，请务必佩戴手套。

**小心：** 处理带锯锯片时请小心，以防被锯片锯齿的尖锐边缘割伤。

**小心：** 检查锯片运行是否正常时，勿使身体靠近带锯锯片。

**小心：** 顺时针旋转锯片拧紧杆以释放带锯锯片上的张力时，请将工具朝向下方，因为带锯锯片可能会意外脱落。

安装带锯锯片：

1. 顺时针旋转锯片拧紧杆直至其停止即可松开轮子。

► **图片9：** 1. 拧紧 2. 拧松 3. 锯片拧紧杆

2. 打开轮罩。

► **图片10：** 1. 轮罩 2. 挂钩

**注意：** 打开轮罩时，同时打开并释放两个挂钩。如果仅打开一个挂钩可能会导致轮罩破裂。

3. 使带锯锯片上的箭头方向与轮上的箭头方向相吻合。

4. 将带锯锯片的非锯齿边插入上部固定夹和下部固定夹。确保上部固定夹和下部固定夹中的带锯锯片与底部轴承接触。

► **图片11：** 1. 下部固定夹 2. 上部固定夹  
3. 底部轴承

5. 通过按压带锯锯片中间部分，将锯片缠绕至其中一轮。向A侧移动此轮更方便操作。

► 图片12: 1. 轮子 2. 橡胶轮箍

6. 用同样的方式将带锯锯片缠绕至另一轮上。

7. 将带锯锯片的边缘正确置于橡胶轮箍上。

8. 将带锯锯片固定到位，然后逆时针旋转锯片拧紧杆直至其停止为止。这使得带锯锯片具有适当的张力。

9. 关闭轮罩。

**注意：** 确保带锯锯片正确缠绕各轮。

**注意：** 启动并停止工具两到三次，以确保带锯锯片在砂轮上运行正常。

拆卸带锯锯片时，请按照与安装相反的步骤进行。

## 调节锯片轨道

当带锯锯片容易从轮子上滑脱时，请调节锯片轨道。

进行调节时，请如图所示将六角扳手插入调节孔并顺时针旋转四分之一圈。然后，检查带锯锯片是否会滑脱。

如果仍然会滑脱，请再旋转四分之一圈并进行检查，直至带锯锯片不会滑脱。

► 图片13: 1. 六角扳手 2. 调节孔

## 调节止动板位置

正常操作时，请将止动板完全伸至A侧。在切割磨光时，如果止动板碰到墙壁或类似的障碍物，请拧松两个螺栓，并将其滑动到图中的B侧。

滑动止动板后，请通过拧紧两个螺栓将其固定。

► 图片14: 1. 止动板 2. 螺栓 3. 带锯锯片

## 安装侧把手（手柄）

### 选购附件

将侧把手拧入图中所示的工具位置。

► 图片15

## 操作

**小心：** 插入电池组时请务必使其完全锁紧到位。如果插入后仍能看到按钮上侧的红色指示灯，则说明电池组未完全锁紧。此时，须将电池适配器完全插入，直到红色指示灯不亮为止。否则它可能会意外从工具中脱落，从而造成自身或他人受伤。

**小心：** 请始终紧握手柄。切勿紧握工具机身或轮罩。手可能会从这些位置滑出，导致接触带锯锯片。这会造成人身伤害。

**小心：** 确保轮罩关闭牢固。

**小心：** 开启或关闭工具或切割时，务必握紧工具。否则工具可能会摔落导致人身伤害。

**小心：** 切割金属时，请务必佩戴手套，以保护您免受灼热飞溅碎片的伤害。

**小心：** 确保身体和面部远离带锯锯片和飞溅碎片。

为进行稳定切割，务必使至少两个锯齿切入切口。

► 图片16

如图所示，将带锯锯片置于工件上合适的切割位置。

► 图片17

1. 按照图示牢握本工具。

启动工具前，务必确保止动板接触工件，而带锯锯片未接触工件。

► 图片18

2. 启动工具并等待，直至带锯锯片达到全速运转时再进行操作。轻轻将锯片降低到切口。工具的重量或轻微按压工具即可为切割提供足够的压力。不要强力按压工具。

► 图片19

3. 即将结束切割时，请释放压力并略微抬高工具，以免工具掉落在工件上。

**注意：** 在工具上施加过度压力或扭转带锯锯片可能会导致斜切割或锯片受损。

**注意：** 长时间不使用工具时，请从工具上拆下带锯锯片。

**注意：** 如果工具连续工作到电池组电量耗尽，则应暂停使用工具15分钟，再用充电后的电池继续操作。

## 切割油

### 选购附件

**⚠小心：**切勿在带锯锯片上使用切削油或涂抹过多的蜡。其可导致锯片意外滑动或脱落。

**⚠小心：**切割生铁时，请勿使用任何切削蜡。

切割金属时，请使用Makita（牧田）切削蜡作为切割油。要在带锯锯齿上涂抹切削蜡时，请在取下切削蜡的盖帽后启动工具，然后如图所示切入切削蜡。

► **图片20：1.** 切削蜡

## 保养

**⚠小心：**检查或保养工具之前，请务必关闭工具电源并取出电池组。

**注意：**切勿使用汽油、苯、稀释剂、酒精或类似物品清洁工具。否则可能会导致工具变色、变形或出现裂缝。

为了保证产品的安全与可靠性，维修、任何其他维修保养或调节需由Makita（牧田）授权的或工厂维修服务中心完成。务必使用Makita（牧田）的替换部件。

## 清洁

**⚠小心：**轮上橡胶轮箍上的蜡和碎屑可导致带锯锯片意外滑动或脱落。请使用干布清除橡胶轮箍上的蜡和碎屑。

使用后，请从工具、轮上橡胶轮箍和带锯锯片上清除蜡、碎屑和灰尘。

## 更换轮上的橡胶轮箍

请在由于轮箍严重磨损导致带锯锯片打滑或轨迹异常时更换橡胶轮箍。更换橡胶轮箍时，请联络Makita（牧田）授权的或工厂维修服务中心。

## 选购附件

**⚠小心：**这些附件或装置专用于本说明书所列的Makita（牧田）工具。如使用其他厂牌附件或装置，可能导致人身伤害。仅可将附件或装置用于规定目的。

如您需要了解更多关于这些选购附件的信息，请咨询当地的Makita（牧田）维修服务中心。

- Makita（牧田）原装电池和充电器
- 带锯锯片
- 切削蜡
- 把手36

**注：**本列表表中的一些部件可能作为标准配件包含于工具包装内。它们可能因销往国家之不同而异。



## SPEKIFIKASI

<b>Model:</b>		<b>DPB183</b>
Kapasitas pemotongan maks	Benda kerja lingkaran	66 mm dia.
	Benda kerja persegi panjang	66 mm x 66 mm
Kecepatan mata gergaji		0 - 3,2 m/s (0 - 190 m/min)
Ukuran mata gergaji	Panjang	835 mm
	Lebar	13 mm
	Tebal	0,5 mm
Dimensi (P x L x T) tanpa penutup roda		392 mm x 174 mm x 242 mm
Tegangan terukur		D.C. 18 V
Berat bersih tanpa penutup roda		3,6 - 3,9 kg

- Karena kesinambungan program penelitian dan pengembangan kami, spesifikasi yang disebutkan di sini dapat berubah tanpa pemberitahuan.
- Spesifikasi dapat berbeda dari satu negara ke negara lainnya.
- Berat alat mungkin berbeda tergantung perangkat tambahan yang dipasang, termasuk kartrid baterai. Kombinasi alat terberat dan teringan, sesuai Prosedur EPTA 01/2014, ditunjukkan pada tabel.

## Kartrid dan pengisi daya baterai yang dapat digunakan

Kartrid baterai	BL1815N / BL1820 / BL1820B / BL1830 / BL1830B / BL1840 / BL1840B / BL1850 / BL1850B / BL1860B
Pengisi daya	DC18RC / DC18RD / DC18RE / DC18SD / DC18SE / DC18SF / DC18SH

- Beberapa kartrid baterai dan pengisi daya yang tercantum di atas mungkin tidak tersedia, tergantung wilayah tempat tinggal Anda.

**⚠ PERINGATAN:** Hanya gunakan kartrid dan pengisi daya baterai yang tercantum di atas. Penggunaan kartrid dan pengisi daya baterai lain dapat menimbulkan risiko cedera dan/atau kebakaran.

## Simbol

Berikut ini adalah simbol-simbol yang dapat digunakan pada peralatan ini. Pastikan Anda memahami arti masing-masing simbol sebelum menggunakan peralatan.



Baca petunjuk penggunaan.



Gunakan kaca mata pengaman.



Ni-MH  
Li-ion

Hanya untuk negara-negara UE  
Jangan membuang peralatan listrik atau paket baterai bersama-sama dengan bahan limbah rumah tangga!  
Dengan memerhatikan Petunjuk Eropa, tentang Limbah Peralatan Listrik dan Elektronik serta Baterai dan Akumulator serta Limbah Baterai dan Akumulator dan pelaksanaannya sesuai dengan ketentuan hukum nasional, peralatan listrik dan baterai dan paket baterai yang telah habis umur pakainya harus dikumpulkan secara terpisah dan dikembalikan ke fasilitas daur ulang yang kompatibel secara lingkungan.

## Penggunaan

Penggunaan mesin ini ditujukan untuk memotong bahan plastik dan besi.

# PERINGATAN KESELAMATAN

## Peringatan keselamatan umum mesin listrik

**⚠️ PERINGATAN:** Bacalah semua peringatan keselamatan, petunjuk, ilustrasi dan spesifikasi yang disertakan bersama mesin listrik ini. Kelalaian untuk mematuhi semua petunjuk yang tercantum di bawah ini dapat menyebabkan sengatan listrik, kebakaran dan/atau cedera serius.

## Simpanlah semua peringatan dan petunjuk untuk acuan di masa depan.

Istilah "mesin listrik" dalam semua peringatan mengacu pada mesin listrik yang dijalankan dengan sumber listrik jala-jala (berkabel) atau baterai (tanpa kabel).

### Keselamatan tempat kerja

1. **Jaga tempat kerja selalu bersih dan berpenerangan cukup.** Tempat kerja yang berantakan dan gelap mengundang kecelakaan.
2. **Jangan gunakan mesin listrik dalam lingkungan yang mudah meledak, misalnya jika ada cairan, gas, atau debu yang mudah menyala.** Mesin listrik menimbulkan bunga api yang dapat menyalakan debu atau uap tersebut.
3. **Jauhkan anak-anak dan orang lain saat menggunakan mesin listrik.** Bila perhatian terpecah, anda dapat kehilangan kendali.

### Keamanan Kelistrikan

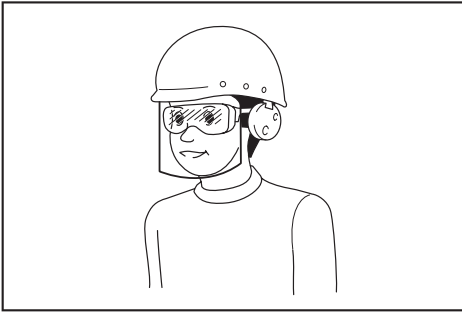
1. **Steker mesin listrik harus cocok dengan stopkontak. Jangan sekali-kali mengubah steker dengan cara apa pun. Jangan menggunakan steker adaptor dengan mesin listrik terbumi (dibumikan).** Steker yang tidak diubah dan stopkontak yang cocok akan mengurangi risiko sengatan listrik.
2. **Hindari sentuhan tubuh dengan permukaan terbumi atau yang dibumikan seperti pipa, radiator, kompor, dan kulkas.** Risiko sengatan listrik bertambah jika tubuh Anda terbumikan atau dibumikan.
3. **Jangan membiarkan mesin listrik kehujanan atau kebasahan.** Air yang masuk ke dalam mesin listrik akan meningkatkan risiko sengatan listrik.
4. **Jangan menyalahgunakan kabel. Jangan sekali-kali menggunakan kabel untuk membawa, menarik, atau mencabut mesin listrik dari stopkontak. Jauhkan kabel dari panas, minyak, tepian tajam, atau bagian yang bergerak.** Kabel yang rusak atau kusut memperbesar risiko sengatan listrik.
5. **Bila menggunakan mesin listrik di luar ruangan, gunakan kabel ekstensi yang sesuai untuk penggunaan di luar ruangan.** Penggunaan kabel yang sesuai untuk penggunaan luar ruangan mengurangi risiko sengatan listrik.

6. **Jika mengoperasikan mesin listrik di lokasi lembap tidak terhindarkan, gunakan pasokan daya yang dilindungi peranti imbasan arus (residual current device - RCD).** Penggunaan RCD mengurangi risiko sengatan listrik.
7. **Mesin listrik dapat menghasilkan medan magnet (EMF) yang tidak berbahaya bagi pengguna.** Namun, pengguna alat pacu jantung atau peralatan medis sejenisnya harus berkonsultasi dengan produsen peralatan tersebut dan/atau dokter mereka sebelum mengoperasikan mesin listrik ini.

### Keselamatan Diri

1. **Jaga kewaspadaan, perhatikan pekerjaan Anda dan gunakan akal sehat bila menggunakan mesin listrik. Jangan menggunakan mesin listrik saat Anda lelah atau di bawah pengaruh obat bius, alkohol, atau obat.** Sekejap saja lalai saat menggunakan mesin listrik dapat menyebabkan cedera badan serius.
2. **Gunakan alat pelindung diri. Selalu gunakan pelindung mata.** Peralatan pelindung seperti masker debu, sepatu pengaman anti-selip, helm pengaman, atau pelindung telinga yang digunakan untuk kondisi yang sesuai akan mengurangi risiko cedera badan.
3. **Cegah penyalaaan yang tidak disengaja. Pastikan bahwa sakelar berada dalam posisi mati (off) sebelum menghubungkan mesin ke sumber daya dan/atau paket baterai, atau mengangkat atau membawanya.** Membawa mesin listrik dengan jari Anda pada sakelarnya atau mengalirkan listrik pada mesin listrik yang sakelarnya hidup (on) akan mengundang kecelakaan.
4. **Lepaskan kunci-kunci penyetel sebelum menghidupkan mesin listrik.** Kunci-kunci yang masih terpasang pada bagian mesin listrik yang berputar dapat menyebabkan cedera.
5. **Jangan meraih terlalu jauh. Jagalah pijakan dan keseimbangan sepanjang waktu.** Hal ini memungkinkn kendali yang lebih baik atas mesin listrik dalam situasi yang tidak diharapkan.
6. **Kenakan pakaian yang memadai. Jangan memakai pakaian yang longgar atau perhiasan. Jaga jarak antara rambut dan pakaian Anda dengan komponen mesin yang bergerak.** Pakaian yang longgar, perhiasan, atau rambut yang panjang dapat tersangkut pada komponen yang bergerak.
7. **Jika tersedia fasilitas untuk menghisap dan mengumpulkan debu, pastikan fasilitas tersebut terhubung listrik dan digunakan dengan baik.** Penggunaan pembersih debu dapat mengurangi bahaya yang terkait dengan debu.
8. **Jangan sampai Anda lelah dan mengabaikan prinsip keselamatan mesin ini hanya karena sudah sering mengoperasikannya dan sudah merasa terbiasa.** Tindakan yang lalai dapat menyebabkan cedera berat dalam sepersekian detik saja.

9. **Selalu kenakan kacamata pelindung untuk melindungi mata dari cedera saat menggunakan mesin listrik. Kacamata harus sesuai dengan ANSI Z87.1 di Amerika Serikat, EN 166 di Eropa, atau AS/NZS 1336 di Australia/Selandia Baru. Di Australia/Selandia Baru, secara hukum Anda juga diwajibkan mengenakan pelindung wajah untuk melindungi wajah Anda.**



**Menjadi tanggung jawab atas untuk menerapkan penggunaan alat pelindung keselamatan yang tepat bagi operator mesin dan orang lain yang berada di area kerja saat itu.**

#### **Penggunaan dan pemeliharaan mesin listrik**

1. **Jangan memaksa mesin listrik. Gunakan mesin listrik yang tepat untuk keperluan Anda.** Mesin listrik yang tepat akan menuntaskan pekerjaan dengan lebih baik dan aman pada kecepatan sesuai rancangannya.
2. **Jangan gunakan mesin listrik jika sakelar tidak dapat menyala dan memastikannya.** Mesin listrik yang tidak dapat dikendalikan dengan sakelarnya adalah berbahaya dan harus diperbaiki.
3. **Cabut steker dari sumber listrik dan/atau lepas paket baterai, jika dapat dilepas, dari mesin listrik sebelum melakukan penyetelan apa pun, mengganti aksesoris, atau menyimpan mesin listrik.** Langkah keselamatan preventif tersebut mengurangi risiko hidupnya mesin secara tak sengaja.
4. **Simpan mesin listrik jauh dari jangkauan anak-anak dan jangan biarkan orang yang tidak paham mengenai mesin listrik tersebut atau petunjuk ini menggunakan mesin listrik.** Mesin listrik sangat berbahaya di tangan pengguna yang tak terlatih.
5. **Rawatlah mesin listrik dan aksesoris. Periksa apakah ada komponen bergerak yang tidak lurus atau macet, komponen yang pecah, dan kondisi-kondisi lain yang dapat memengaruhi pengoperasian mesin listrik. Jika rusak, perbaiki mesin listrik terlebih dahulu sebelum digunakan.** Banyak kecelakaan disebabkan oleh kurangnya pemeliharaan mesin listrik.
6. **Jaga agar mesin pemotong tetap tajam dan bersih.** Mesin pemotong yang terawat baik dengan mata pemotong yang tajam tidak mudah macet dan lebih mudah dikendalikan.

7. **Gunakan mesin listrik, aksesoris, dan mata mesin, dll. sesuai dengan petunjuk ini, dengan memperhitungkan kondisi kerja dan jenis pekerjaan yang dilakukan.** Penggunaan mesin listrik untuk penggunaan yang lain dari peruntukan dapat menimbulkan situasi berbahaya.
8. **Jagalah agar gagang dan permukaan pegangan tetap kering, bersih, dan bebas dari minyak dan pelumas.** Gagang dan permukaan pegangan yang licin tidak mendukung keamanan penanganan dan pengendalian mesin dalam situasi-situasi tak terduga.
9. **Ketika menggunakan mesin, jangan menggunakan sarung tangan kain yang dapat tersangkut.** Sarung tangan kain yang tersangkut pada komponen bergerak dapat mengakibatkan cedera pada pengguna.

#### **Penggunaan dan pemeliharaan mesin bertenaga baterai**

1. **Isi ulang baterai hanya dengan pengisi daya yang ditentukan oleh pabrik.** Pengisi daya yang cocok untuk satu jenis paket baterai dapat menimbulkan risiko kebakaran ketika digunakan untuk paket baterai yang lain.
2. **Gunakan mesin listrik hanya dengan paket baterai yang telah ditentukan secara khusus.** Penggunaan paket baterai lain dapat menimbulkan risiko cedera dan kebakaran.
3. **Ketika paket baterai tidak digunakan, jauhkan dari benda logam lain, seperti penjepit kertas, uang logam, kunci, paku, sekrup atau benda logam kecil lainnya, yang dapat menghubungkan satu terminal ke terminal lain.** Hubungan singkat terminal baterai dapat menyebabkan luka bakar atau kebakaran.
4. **Pemakaian yang salah, dapat menyebabkan keluarnya cairan dari baterai; hindari kontak. Jika terjadi kontak secara tidak sengaja, bilas dengan air. Jika cairan mengenai mata, cari bantuan medis.** Cairan yang keluar dari baterai bisa menyebabkan iritasi atau luka bakar.
5. **Jangan menggunakan paket baterai atau mesin yang sudah rusak atau telah diubah.** Baterai yang rusak atau telah diubah dapat menyebabkan hal-hal yang tidak dapat diprediksi yang dapat menyebabkan kebakaran, ledakan atau risiko cedera.
6. **Jangan membiarkan paket baterai atau mesin dekat dengan api atau suhu yang berlebihan.** Paparan api atau suhu di atas 130 °C dapat menyebabkan ledakan.
7. **Ikuti semua petunjuk pengisian daya dan jangan mengisi daya paket baterai atau mesin di luar rentang suhu yang ditentukan di panduan.** Mengisi daya secara tidak tepat atau pada suhu di luar rentang yang ditentukan dapat merusak baterai dan meningkatkan risiko kebakaran.

#### **Servis**

1. **Berikan mesin listrik untuk diperbaiki hanya kepada oleh teknisi yang berkualifikasi dengan menggunakan hanya suku cadang pengganti yang serupa.** Hal ini akan menjamin terjaganya keamanan mesin listrik.

2. **Jangan pernah memperbaiki paket baterai yang sudah rusak.** Perbaiki paket baterai harus dilakukan hanya oleh produsen atau penyedia servis resmi.
3. **Patuhi petunjuk pelumasan dan penggantian aksesoris.**

## Peringatan Keselamatan Mesin Gergaji Pita Portabel Tanpa Kabel

1. **Pegang mesin listrik pada permukaan genggam yang terisolasi saat melakukan pekerjaan bila aksesoris pemotong mungkin bersentuhan dengan kawat yang tersembunyi.** Aksesoris pemotong yang menyentuh kawat yang "aktif" dapat menyebabkan bagian logam pada mesin teraliri arus listrik "aktif" dan menyengat pengguna.
2. **Gunakan hanya mata gergaji yang terdapat dalam daftar "SPESIFIKASI".**
3. **Sebelum dioperasikan, periksa mata gergaji dengan saksama untuk memastikan tidak ada bagian yang retak atau rusak. Segera ganti mata gergaji yang retak atau rusak.**
4. **Tahan benda kerja dengan kuat. Saat memotong seikat benda kerja, pastikan semua benda kerja telah diikat dengan kuat sebelum dipotong.**
5. **Memotong benda kerja yang terlapis minyak dapat menyebabkan mata gergaji terlepas secara tak terduga. Bersihkan semua minyak berlebih dari benda kerja sebelum memotong.**
6. **Jangan gunakan minyak pemotong sebagai pelumas pemotong. Hanya gunakan bahan poles pemotong Makita.**
7. **Pegang mesin kuat-kuat.**
8. **Jauhkan tangan dari bagian yang berputar.**
9. **Saat memotong logam, berhati-hatilah dengan serpihan panas yang beterbangan.**
10. **Jangan meninggalkan mesin dalam keadaan menyala tanpa pengawasan.**
11. **Jangan menyentuh mata gergaji atau benda kerja segera setelah pengoperasian; suhunya mungkin sangat panas dan dapat membakar kulit Anda.**

## Petunjuk keselamatan penting untuk kartrid baterai

1. **Sebelum menggunakan kartrid baterai, bacalah semua petunjuk dan penandaan pada (1) pengisi daya baterai, (2) baterai, dan (3) produk yang menggunakan baterai.**
2. **Jangan membongkar kartrid baterai.**
3. **Jika waktu beroperasinya menjadi sangat singkat, segera hentikan penggunaan. Hal tersebut dapat menimbulkan risiko panas berlebih, kemungkinan mengalami luka bakar atau bahkan terjadi ledakan.**
4. **Jika elektrolit mengenai mata Anda, basuh dengan air bersih dan segera cari pertolongan medis. Hal tersebut dapat mengakibatkan hilangnya kemampuan penglihatan Anda.**

5. **Jangan menghubungkan terminal kartrid baterai:**
  - (1) **Jangan menyentuh terminal dengan bahan penghantar listrik apa pun.**
  - (2) **Hindari menyimpan kartrid baterai pada wadah yang berisi benda logam lain seperti paku, uang logam, dsb.**
  - (3) **Jangan membiarkan baterai terkena air atau kehujanan.**

Hubungan singkat baterai dapat menyebabkan aliran arus listrik yang besar, panas berlebih, kemungkinan mengalami luka bakar dan bahkan kerusakan pada baterai.

6. **Jangan menyimpan mesin dan kartrid baterai pada lokasi dengan suhu yang bisa mencapai atau melebihi 50 °C.**
7. **Jangan membuang kartrid baterai di tempat pembakaran sampah walaupun benar-benar rusak atau tidak bisa digunakan sama sekali. Kartrid baterai bisa meledak jika terbakar.**
8. **Berhati-hatilah jangan sampai baterai jatuh atau terbentur.**
9. **Jangan menggunakan baterai yang rusak.**
10. **Baterai litium-ion yang disertakan sesuai dengan persyaratan Perundangan Makanan Berbahaya.**  
Harus ada pengawasan untuk pengangkutan komersial misalnya oleh pihak ketiga, ekspeditor, persyaratan khusus terhadap pengemasan dan pelabelan.  
Diperlukan adanya konsultasi dengan ahli mengenai material berbahaya untuk persiapan barang yang akan dikirimkan. Perhatikan pula peraturan nasional yang lebih terperinci yang mungkin ada.  
Beri perekat atau tutupi bagian yang terbuka dan kemasi baterai dengan cara yang tidak akan menimbulkan pergeseran dalam pengemasan.
11. **Ketika membuang kartrid baterai, lepaskan dari mesin dan buang ke tempat yang aman. Patuhi peraturan setempat yang berkaitan dengan pembuangan baterai.**
12. **Gunakan baterai hanya dengan produk yang ditentukan oleh Makita.** Memasang baterai pada produk yang tidak sesuai dapat menyebabkan kebakaran, kelebihan panas, ledakan, atau kebocoran elektrolit.
13. **Jika mesin tidak digunakan dalam jangka waktu yang lama, baterai harus dilepas dari mesin.**

## SIMPAN PETUNJUK INI.

**⚠PERHATIAN:** Gunakan baterai asli Makita. Penggunaan baterai Makita yang tidak asli, atau baterai yang sudah diubah, akan mengakibatkan baterai mudah terbakar, cedera dan kerusakan. Akan menghilangkan garansi Makita pada pengisi daya dan alat Makita.

## Tip untuk menjaga agar umur pemakaian baterai maksimum

1. Isi ulang kartrid baterai sebelum habis sama sekali. Selalu hentikan penggunaan mesin dan ganti kartrid baterai jika Anda melihat bahwa mesin kurang tenaga.
2. Jangan pernah mengisi ulang kartrid baterai yang sudah diisi penuh. Pengisian ulang yang berlebih memperpendek umur pemakaian baterai.
3. Isi ulang kartrid baterai pada suhu ruangan 10 °C - 40 °C. Biarkan kartrid baterai yang panas menjadi dingin terlebih dahulu sebelum diisi ulang.
4. Isi ulang daya kartrid baterai jika Anda tidak menggunakannya untuk jangka waktu yang lama (lebih dari enam bulan).

## DESKRIPSI FUNGSI

**⚠️ PERHATIAN:** Selalu pastikan bahwa mesin dimatikan dan kartrid baterai dilepas sebelum menyatel atau memeriksa kerja mesin.

### Memasang atau melepas baterai

**⚠️ PERHATIAN:** Selalu matikan mesin sebelum memasang atau melepas kartrid baterai.

**⚠️ PERHATIAN:** Pegang mesin dan kartrid baterai kuat-kuat saat memasang atau melepas kartrid baterai. Kelalaian untuk memegang mesin dan kartrid baterai kuat-kuat bisa menyebabkan keduanya tergelincir dari tangan Anda dan mengakibatkan kerusakan pada mesin dan kartrid baterai dan cedera diri.

- **Gbr.1:** 1. Indikator berwarna merah 2. Tombol 3. Kartrid baterai

Untuk melepas kartrid baterai, geser dari mesin sambil menggeser tombol pada bagian depan kartrid.

Untuk memasang kartrid baterai, sejajarkan lidah kartrid baterai dengan alur pada rumah dan masukkan ke dalam tempatnya. Masukkan seluruhnya sampai terkunci pada tempatnya dan terdengar bunyi klik kecil. Jika Anda bisa melihat indikator berwarna merah pada sisi atas tombol, berarti tidak terkunci sepenuhnya.

**⚠️ PERHATIAN:** Selalu pasang kartrid baterai sepenuhnya sampai indikator berwarna merah tidak terlihat. Jika tidak, bisa terlepas dari mesin secara tidak sengaja, menyebabkan luka pada Anda atau orang di sekitar Anda.

**⚠️ PERHATIAN:** Jangan memasang kartrid baterai secara paksa. Jika kartrid tidak bergeser dengan mudah, berarti tidak dimasukkan dengan benar.

## Mengindikasikan kapasitas baterai yang tersisa

**Hanya untuk kartrid baterai dengan indikator**

- **Gbr.2:** 1. Lampu indikator 2. Tombol pemeriksaan

Tekan tombol pemeriksaan pada kartrid baterai untuk melihat kapasitas baterai yang tersisa. Lampu indikator menyala selama beberapa detik.

Lampu indikator			Kapasitas yang tersisa
Menyala	Mati	Berkedip	
			75% hingga 100%
			50% hingga 75%
			25% hingga 50%
			0% hingga 25%
			Isi ulang baterai.
			Baterai mungkin sudah rusak.

**CATATAN:** Tergantung kondisi penggunaan dan suhu lingkungannya, penunjukkan mungkin saja sedikit berbeda dari kapasitas sebenarnya.

## Menunjukkan kapasitas baterai yang tersisa

**Negara tertentu**

- **Gbr.3:** 1. Indikator baterai

Saat Anda menarik pelatuk sakelar, tampilan LED akan menunjukkan kapasitas baterai yang tersisa. Kapasitas baterai yang tersisa ditunjukkan sebagaimana tercantum dalam tabel berikut ini.

Status indikator baterai			Kapasitas baterai yang tersisa
Menyala	Mati	Berkedip	
			50% hingga 100%
			20% hingga 50%
			0% hingga 20%
			Isi ulang baterai

**CATATAN:** Saat tampilan LED padam, mesin akan mati untuk menghemat daya baterai. Untuk memeriksa kapasitas baterai yang tersisa, tarik sedikit pelatuk sakelarnya.

**CATATAN:** Tampilan LED akan padam kira-kira satu menit setelah melepas pelatuk sakelar.

**CATATAN:** Saat tampilan LED menyala dan mesin berhenti bahkan dengan kartrid baterai yang telah diisi ulang, tunggu hingga suhu mesin benar-benar dingin. Jika statusnya tidak berubah, hentikan penggunaan dan mintalah perbaikan pada pusat servis Makita terdekat.

## Sistem perlindungan mesin / baterai

Mesin ini dilengkapi dengan sistem perlindungan mesin/baterai. Sistem ini memutuskan daya ke motor secara otomatis untuk memperpanjang umur pakai mesin dan baterai. Mesin akan berhenti secara otomatis saat dioperasikan jika mesin atau baterai mengalami salah satu dari kondisi-kondisi berikut ini:

### Perlindungan kelebihan beban

Jika baterai digunakan dengan cara yang membuat baterai menarik arus tinggi berlebihan, mesin akan berhenti secara otomatis tanpa peringatan sebelumnya. Dalam situasi ini, matikan mesin dan hentikan pekerjaan yang menyebabkan mesin mengalami kelebihan beban. Kemudian, nyalakan mesin untuk kembali melanjutkan pekerjaan.

### Perlindungan terhadap panas berlebih

Apabila mesin terlalu panas, mesin akan berhenti secara otomatis dan lampu akan mulai berkedip. Dalam situasi ini, biarkan mesin dan baterai dingin terlebih dahulu sebelum dinyalakan kembali.

### Perlindungan pengisian daya berlebih

Ketika kapasitas baterai tidak cukup, mesin akan berhenti secara otomatis. Dalam kondisi ini, lepaskan baterai dari mesin dan isi ulang baterai.

## Kait

**PERHATIAN:** Jangan sekali-kali menggantung mesin di tempat yang tinggi atau yang mungkin tidak stabil.

Kait ini cocok untuk menggantung mesin untuk sementara.

Untuk menggunakan kait ini, cukup angkat kait sampai berada di posisi terbuka.

Jika tidak digunakan, selalu turunkan kembali kait ke posisi tertutup.

#### Posisi terbuka

► **Gbr.4:** 1. Kait

#### Posisi tertutup

► **Gbr.5:** 1. Kait

## Kerja sakelar

**PERINGATAN:** Sebelum memasukkan kartrid baterai pada mesin, pastikan picu saklar berfungsi dengan baik dan kembali ke posisi "OFF" saat dilepas.

**PERINGATAN:** JANGAN PERNAH mengakali tombol buka kunci dengan menyelotip atau menggunakan alat-alat lainnya. Sakelar tanpa tombol buka kunci dapat mengakibatkan pengoperasian yang tidak diinginkan dan cedera badan serius.

**PERINGATAN:** JANGAN PERNAH menggunakan mesin jika mesin tersebut menyala ketika Anda hanya menarik picu sakelarnya tanpa menekan tuas buka kunci. Sakelar yang memerlukan perbaikan dapat mengakibatkan pengoperasian yang tidak diinginkan dan cedera badan serius. Kembalikan mesin ke pusat layanan Makita untuk diperbaiki dengan benar SEBELUM menggunakannya lebih lanjut.

Untuk mencegah pelatuk sakelar tertarik dengan tidak sengaja, tersedia sebuah tombol buka kunci. Untuk menjalankan mesin, tekan tombol buka kunci dan tarik pelatuk sakelar.

Kecepatan mesin akan meningkat dengan menambah tekanan pada pelatuk sakelar. Lepaskan pelatuk sakelar untuk berhenti.

► **Gbr.6:** 1. Tombol pengunci 2. Pelatuk sakelar

## Sakelar penyetel kecepatan

► **Gbr.7:** 1. Sakelar penyetel kecepatan

Kecepatan mesin bisa disetel tidak terbatas antara 1,3 m/s dan 3,2 m/s dengan memutar sakelar penyetel.

Kecepatan yang lebih tinggi diperoleh jika sakelar diputar ke arah angka 6; kecepatan yang lebih rendah diperoleh jika diputar ke arah angka 1.

Pilih kecepatan yang tepat untuk benda kerja yang akan dipotong.

**PEMBERITAHUAN:** Saat mengubah sakelar kecepatan dari "6" menjadi "1", putar sakelar berlawanan arah jarum jam. Jangan memutar sakelar searah jarum jam secara paksa.

**PEMBERITAHUAN:** Bahan plastik dapat meleleh jika proses pemotongan dilakukan dalam kecepatan tinggi.

## Menyalakan lampu depan

**PERHATIAN:** Jangan melihat lampu atau sumber cahaya secara langsung.

Tarik pelatuk sakelar untuk menyalakan lampu. Lampu tetap menyala selama pelatuk sakelar ditarik. Lampu akan padam kira-kira 10 detik setelah melepas pelatuk sakelar.

► **Gbr.8:** 1. Lampu

**CATATAN:** Jangan sampai terjadi benturan pada lampu yang dapat mengakibatkan kerusakan atau memperpendek usia pakai lampu.

**CATATAN:** Gunakan kain kering untuk mengelap kotoran dari lensa lampu. Hati-hati jangan sampai menggores lensa lampu, atau hal tersebut dapat menurunkan tingkat penerangannya.

**CATATAN:** Saat mesin mengalami kelebihan panas, lampu akan berkedip selama satu menit, lalu padam. Dalam kondisi ini, tunggu hingga mesin dingin sebelum kembali mengoperasikannya.

## PERAKITAN

**PERHATIAN:** Selalu pastikan bahwa mesin dimatikan dan kartrid baterai dilepas sebelum melakukan pekerjaan apa pun pada mesin.

### Memasang dan melepas mata gergaji pita

**PERHATIAN:** Minyak pada mata gergaji pita dapat menyebabkan mata gergaji bergeser atau terlepas secara tak terduga. Bersihkan semua minyak berlebih dengan kain sebelum memasang mata gergaji pita.

**PERHATIAN:** Selalu kenakan sarung tangan pelindung saat menangani mata gergaji pita.

**PERHATIAN:** Berhati-hatilah saat menangani mata gergaji pita agar tidak tersayat oleh tepian tajam gigi pisau.

**PERHATIAN:** Jauhkan tubuh Anda dari mata gergaji pita saat memeriksa pergerakan mata gergaji.

**PERHATIAN:** Saat memutar tuas pengencangan mata gergaji searah jarum jam untuk meregangkan mata gergaji pita, arahkan mesin ke bawah karena mata gergaji pita dapat terlepas secara tak terduga.

Untuk memasang mata gergaji pita:

1. Putar tuas pengencangan mata gergaji searah jarum jam sampai berhenti untuk melonggarkan roda.  
► **Gbr.9:** 1. Kencangkan 2. Kendurkan 3. Tuas pengencangan mata gergaji

2. Buka penutup roda.  
► **Gbr.10:** 1. Penutup roda 2. Kait

**PEMBERITAHUAN:** Saat membuka penutup roda, buka dan lepaskan kedua kait secara bersamaan. Jika hanya membuka satu kait, retakan pada penutup roda dapat timbul.

3. Sesuaikan arah panah pada mata gergaji pita dan pada roda.

4. Masukkan sisi mata gergaji pita yang tidak bergerigi ke dalam dudukan atas dan dudukan bawah. Pastikan mata gergaji pita di dudukan atas dan bawah menyentuh bantalan bagian bawah.

► **Gbr.11:** 1. Dudukan bawah 2. Dudukan atas 3. Bantalan bagian bawah

5. Dengan menekan bagian tengah mata gergaji pita, posisikan mata gergaji di sekitar satu roda. Memindahkan roda ke sisi A membuatnya lebih mudah.

► **Gbr.12:** 1. Roda 2. Ban karet

6. Posisikan mata gergaji pita pada roda yang lain dengan cara yang sama.

7. Posisikan tepian mata gergaji pita pada ban karet.

8. Tahan mata gergaji pita di tempatnya dan putar tuas pengencangan mata gergaji berlawanan arah jarum jam sampai berhenti. Cara ini akan menyesuaikan ketegangan yang tepat pada mata gergaji pita.

9. Tutup penutup roda.

**PEMBERITAHUAN:** Pastikan mata gergaji pita diposisikan dengan benar di sekitar roda.

**PEMBERITAHUAN:** Mulai dan hentikan mesin dua atau tiga kali untuk memastikan mata gergaji pita berjalan dengan baik pada roda.

Untuk melepas mata gergaji pita, ikuti prosedur pemasangan ini dengan urutan terbalik.

### Menyetel lintasan mata gergaji

Ketika mata gergaji pita agak bergeser dari roda, setel lintasan mata gergaji.

Untuk menyetelnya, masukkan kunci L ke dalam lubang penyetelan seperti yang diilustrasikan dan putar seperempat putaran searah jarum jam. Setelah itu, periksa apakah mata gergaji pita tidak bergeser. Jika masih bergeser, putar seperempat putaran lagi dan periksa sampai mata gergaji pita tidak bergeser.

► **Gbr.13:** 1. Kunci L 2. Lubang penyetelan

### Menyesuaikan posisi pelat penahan

Dalam penggunaan biasa, tonjolan pelat penahan ke sisi A sepenuhnya.

Ketika pelat penahan mengenai penghalang seperti dinding atau sejenisnya pada penyelesaian potongan, kendurkan dua baut dan geser ke sisi B seperti pada gambar.

Setelah menggeser pelat penahan, kencangkan dengan memutar dua baut hingga kencang.

► **Gbr.14:** 1. Pelat penahan 2. Baut 3. Mata gergaji pita

### Memasang gagang sisi (pegangan)

#### Pilihan Aksesori

Sekrup gagang sisi dengan kencang pada posisi mesin sebagaimana yang ditunjukkan pada gambar.

► **Gbr.15**



# PENGUNAAN

**⚠PERHATIAN:** Selalu masukkan baterai seluruhnya sampai terkunci pada tempatnya. Jika Anda bisa melihat indikator berwarna merah pada sisi atas tombol, berarti tidak terkunci sepenuhnya. Masukkan sepenuhnya sampai indikator berwarna merah tidak terlihat. Jika tidak, baterai bisa terlepas dari mesin secara tidak sengaja, menyebabkan luka pada Anda atau orang di sekitar Anda.

**⚠PERHATIAN:** Selalu genggam pegangan. Jangan pegang bodi mesin atau pelindungnya. Tangan dapat tergelincir dari bagian ini dan terjadi kontak dengan mata gergaji pita. Hal itu dapat mengakibatkan cedera.

**⚠PERHATIAN:** Pastikan penutup roda terpasang dengan kencang.

**⚠PERHATIAN:** Pastikan untuk memegang mesin dengan kuat saat menyalakan atau mematakannya, atau saat memotong. Jika tidak, mesin dapat terjatuh dan menyebabkan cedera.

**⚠PERHATIAN:** Selalu gunakan sarung tangan untuk melindungi tangan Anda dari serpihan panas yang beterbangan saat memotong logam.

**⚠PERHATIAN:** Jauhkan tubuh dan wajah Anda dari mata gergaji pita dan serpihan yang beterbangan.

Untuk potongan yang stabil, selalu pertahankan setidaknya dua gigi di bagian yang dipotong.

► **Gbr.16**

Arahkan mata gergaji pita ke posisi pemotongan yang sesuai pada benda kerja seperti yang diilustrasikan.

► **Gbr.17**

1. Pegang mesin seperti yang ditunjukkan dalam gambar.

Sebelum menghidupkan mesin, selalu pastikan pelat penahan menyentuh kontak benda kerja dan mata gergaji pita bebas dari benda kerja.

► **Gbr.18**

2. Hidupkan mesin dan tunggu sampai mata gergaji pita mencapai kecepatan penuh. Perlahan turunkan mata gergaji ke dalam area pemotongan. Bobot mesin atau dengan sedikit menekan mesin akan memberi tekanan yang cukup untuk pemotongan. Jangan memaksa mesin.

► **Gbr.19**

3. Saat Anda mencapai ujung potongan, lepaskan tekanan dan angkat mesin sedikit agar mesin tidak jatuh dari benda kerja.

**PEMBERITAHUAN:** Memberi tekanan terlalu besar pada mesin atau memutar mata gergaji pita dapat menyebabkan pemotongan miring atau kerusakan pada mata gergaji.

**PEMBERITAHUAN:** Jika tidak menggunakan mesin selama jangka waktu yang lama, lepaskan mata gergaji pita dari mesin.

**PEMBERITAHUAN:** Jika mesin terus-menerus digunakan sampai kartrid baterai habis, istirahatkan mesin selama 15 menit sebelum melakukannya lagi dengan baterai yang penuh.

## Pelumas pemotong

### Pilihan Aksesori

**⚠PERHATIAN:** Jangan pernah menggunakan minyak pemotong atau memberikan bahan poles yang terlalu banyak pada mata gergaji pita. Bahan tersebut dapat menyebabkan mata gergaji meleset atau terlepas secara tidak terduga.

**⚠PERHATIAN:** Saat memotong besi tuang, jangan gunakan bahan poles pemotong.

Saat memotong logam, gunakan bahan poles pemotong Makita sebagai pelumas pemotong. Untuk menerapkan bahan poles pemotong ke gigi mata gergaji pita, lepaskan penutup dari bahan poles pemotong, mulai mesin, dan lakukan pemotongan ke dalam bahan poles pemotong seperti yang diilustrasikan.

► **Gbr.20:** 1. Bahan poles pemotong

## PERAWATAN

**⚠PERHATIAN:** Selalu pastikan bahwa mesin dimatikan dan kartrid baterai dilepas sebelum melakukan pemeriksaan atau perawatan.

**PEMBERITAHUAN:** Jangan sekali-kali menggunakan bensin, tiner, alkohol, atau bahan sejenisnya. Penggunaan bahan demikian dapat menyebabkan perubahan warna, perubahan bentuk atau timbulnya retakan.

Untuk menjaga KEAMANAN dan KEANDALAN mesin, perbaikan, perawatan atau penyetelan lainnya harus dilakukan oleh Pusat Layanan Resmi atau Pabrik Makita; selalu gunakan suku cadang pengganti buatan Makita.



## Pembersihan

**⚠️ PERHATIAN:** Bahan poles dan serpihan pada ban karet di roda dapat menyebabkan mata gergaji pita terpeleset dan terlepas secara tak terduga. Gunakan kain kering untuk membersihkan bahan poles dan serpihan dari ban karet.

Setelah digunakan, bersihkan bahan poles, serpihan dan debu dari mesin, ban karet pada roda dan mata gergaji pita.

## Mengganti ban karet pada roda

Ganti ban karet ketika mata gergaji pita bergeser atau tidak mengikuti lintasan dengan benar karena keausan ban.

Untuk mengganti ban karet, hubungi Pusat Layanan Resmi atau Pabrik Makita.

## AKSESORI PILIHAN

**⚠️ PERHATIAN:** Dianjurkan untuk menggunakan aksesoris atau perangkat tambahan ini dengan mesin Makita Anda yang ditentukan dalam petunjuk ini. Penggunaan aksesoris atau perangkat tambahan lain bisa menyebabkan risiko cedera pada manusia. Hanya gunakan aksesoris atau perangkat tambahan sesuai dengan peruntukannya.

Jika Anda memerlukan bantuan lebih rinci berkenaan dengan aksesoris ini, tanyakan pada Pusat Layanan Makita terdekat.

- Baterai dan pengisi daya asli buatan Makita
- Mata gergaji pita
- Bahan poles pemotong
- Gagang 36

**CATATAN:** Beberapa item dalam daftar tersebut mungkin sudah termasuk dalam paket mesin sebagai aksesoris standar. Hal tersebut dapat berbeda dari satu negara ke negara lainnya.

## SPEKIFIKASI

<b>Model:</b>		<b>DPB183</b>
Kapasiti maksimum pemotongan	Bahan kerja bulat	66 mm dia.
	Bahan kerja segi empat tepat	66 mm x 66 mm
Kelajuan bilah		0 - 3.2 m/s (0 - 190 m/min)
Saiz bilah	Panjang	835 mm
	Width	13 mm
	Ketebalan	0.5 mm
Dimensi (P x L x T) tanpa penutup roda		392 mm x 174 mm x 242 mm
Voltan terkadar		D.C. 18 V
Berat bersih tanpa penutup roda		3.6 - 3.9 kg

- Disebabkan program penyelidikan dan pembangunan kami yang berterusan, spesifikasi yang terkandung di dalam ini adalah tertakluk kepada perubahan tanpa notis.
- Spesifikasi mungkin berbeza mengikut negara.
- Berat mungkin berbeza bergantung kepada pemasangan, termasuk kartrij bateri. Kombinasi paling ringan dan paling berat, mengikut Prosedur EPTA 01/2014, ditunjukkan di dalam jadual.

### Kartrij bateri dan pengecas yang boleh digunakan

Kartrij bateri	BL1815N / BL1820 / BL1820B / BL1830 / BL1830B / BL1840 / BL1840B / BL1850 / BL1850B / BL1860B
Pengecas	DC18RC / DC18RD / DC18RE / DC18SD / DC18SE / DC18SF / DC18SH

- Sesetengah kartrij bateri dan pengecas yang disenaraikan di atas mungkin tidak tersedia bergantung pada kawasan kediaman anda.

**⚠️ AMARAN:** Hanya menggunakan kartrij bateri dan pengecas yang disenaraikan di atas. Penggunaan mana-mana kartrij bateri dan pengecas lain boleh menyebabkan kecederaan dan/atau kebakaran.

### Simbol

Berikut menunjukkan simbol-simbol yang boleh digunakan untuk alat ini. Pastikan anda memahami maksudnya sebelum menggunakan.



Baca manual arahan.



Pakai cermin mata keselamatan.



Ni-MH  
Li-ion

Hanya untuk negara-negara EU  
Jangan lupuskan peralatan elektrik atau pek bateri bersama-sama bahan sisa rumah!

Dalam mematuhi Arahan-Arahan Eropah mengenai Sisa Peralatan Elektrik dan Elektronik dan Bateri dan Akumulator dan Sisa Bateri dan Akumulator serta pelaksanaan mereka mengikut undang-undang negara, peralatan elektrik dan bateri dan pek-pek bateri yang telah mencapai akhir hayatnya mesti dikumpul secara berasingan dan dikembalikan ke kemudahan kitar semula yang bersesuaian dengan alam sekitar.

### Tujuan penggunaan

Alat ini bertujuan untuk pemotongan dalam plastik dan ferus bahan.

# AMARAN KESELAMATAN

## Amaran keselamatan umum alat kuasa

**⚠️AMARAN:** Baca semua amaran keselamatan, arahan, ilustrasi dan spesifikasi yang disediakan dengan alat kuasa ini. Kegagalan mengikut amaran dan arahan boleh menyebabkan kejutan elektrik, kebakaran dan/atau kecederaan serius.

## Simpan semua amaran dan arahan untuk rujukan masa depan.

Istilah "alat kuasa" dalam amaran merujuk kepada alat kuasa yang menggunakan tenaga elektrik (kabel) atau alat kuasa yang menggunakan bateri (tanpa kord).

### Keselamatan kawasan kerja

1. **Pastikan kawasan kerja bersih dan terang.** Kawasan berselerak atau gelap mengundang kemalangan.
2. **Jangan kendalikan alat kuasa dalam keadaan yang mudah meletup, seperti dalam kehadiran cecair, gas atau habuk yang mudah terbakar.** Alat kuasa menghasilkan percikan api yang boleh menyalakan debu atau wasap.
3. **Jauhkan kanak-kanak dan orang yang berhampiran semasa mengendalikan alat kuasa.** Gangguan boleh menyebabkan anda hilang kawalan.

### Keselamatan elektrik

1. **Palam alat kuasa mesti sepadan dengan soket.** Jangan ubah suai palam dalam apa cara sekalipun. Jangan gunakan sebarang palam penyesuaian dengan alat kuasa terbumi. Palam yang tidak diubah suai dan soket yang sepadan akan mengurangkan risiko kejutan elektrik.
2. **Elakkan sentuhan badan dengan permukaan terbumi, seperti paip, radiator, dapur dan peti sejuk.** Terdapat peningkatan risiko kejutan elektrik jika elektrik terbumi terkena badan anda.
3. **Jangan biarkan alat kuasa terkena hujan atau basah.** Air yang memasuki alat kuasa akan meningkatkan risiko kejutan elektrik.
4. **Jangan salah gunakan kord.** Jangan gunakan kord untuk mengangkat, menarik atau mencabut palam alat kuasa. Jauhkan kord dari panas, minyak, bucu tajam atau bahagian yang bergerak. Kord yang rosak atau tersimpul meningkatkan risiko kejutan elektrik.
5. **Semasa mengendalikan alat kuasa di luar, gunakan kord sambungan yang bersesuaian untuk kegunaan luar.** Penggunaan kord yang sesuai untuk kegunaan luar mengurangkan risiko kejutan elektrik.
6. **Sekiranya pengendalian alat kuasa di lokasi lembap tidak dapat dielakkan, gunakan bekalan peranti arus sisa (RCD) yang dilindungi.** Penggunaan RCD mengurangkan risiko kejutan elektrik.

7. **Alat kuasa boleh menghasilkan medan elektromagnetik (EMF) yang tidak berbahaya kepada pengguna.** Walau bagaimanapun, pengguna perentak jantung atau peranti perubatan yang serupa harus menghubungi pembuat peranti mereka dan/atau doktor untuk nasihat sebelum mengendalikan alat kuasa ini.

### Keselamatan diri

1. **Sentiasa berwaspada, perhatikan apa yang anda lakukan dan guna akal budi semasa mengendalikan alat kuasa. Jangan gunakan alat kuasa semasa anda letih atau di bawah pengaruh dadah, alkohol atau ubat.** Kelekaan seketika semasa mengendalikan alat kuasa boleh menyebabkan kecederaan diri yang serius.
2. **Gunakan peralatan pelindung diri. Sentiasa pakai pelindung mata.** Peralatan pelindung seperti topeng debu, kasut keselamatan tak mudah tergelincir, topi keselamatan atau pelindung pendengaran yang digunakan untuk keadaan yang sesuai akan mengurangkan kecederaan diri.
3. **Elakkan permulaan yang tidak disengajakan. Pastikan suis ditutup sebelum menyambung kepada sumber kuasa dan/atau pek bateri, semasa mengangkat atau membawa alat.** Membawa alat kuasa dengan jari anda pada suis atau alat kuasa dengan suis pada kedudukan hidup mengundang kemalangan.
4. **Alihkan sebarang kunci atau sepana pelaras sebelum menghidupkan alat kuasa.** Sepana atau kunci yang ditinggalkan pada bahagian berputar alat kuasa boleh menyebabkan kecederaan diri.
5. **Jangan terlalu memaksa diri. Jaga pijakan dan keseimbangan yang betul pada setiap masa.** Ini membolehkan kawalan alat kuasa yang lebih baik dalam situasi yang tidak dijangka.
6. **Berpakaian dengan betul. Jangan pakai pakaian yang longgar atau barang kemas. Jauhkan rambut dan pakaian anda dari bahagian yang bergerak.** Pakaian longgar, barang kemas atau rambut yang panjang boleh terperangkap dalam bahagian yang bergerak.
7. **Jika peranti disediakan untuk sambungan kemudahan pengekstrakan dan pengumpulan habuk, pastikan ia disambung dan digunakan dengan betul.** Penggunaan pengumpulan habuk boleh mengurangkan bahaya berkaitan habuk.
8. **Jangan biarkan kebiasaan daripada kekerapan penggunaan alat membuatkan anda berpuas hati dan mengabaikan prinsip keselamatan alat.** Kecuaian boleh menyebabkan kecederaan serius dalam sekelip mata.
9. **Sentiasa pakai gogal pelindung untuk melindungi mata anda daripada kecederaan apabila menggunakan alat kuasa.** Gogal mestilah mematuhi ANSI Z87.1 di AS, EN 166 di Eropah, atau AS/NZS 1336 di Australia/New Zealand. Di Australia/New Zealand, undang-undang mengarahkan untuk memakai pelindung muka bagi melindungi muka anda, juga.



**Menjadi tanggungjawab majikan untuk menguatkuasa penggunaan peralatan perlindungan keselamatan yang bersesuaian oleh pengendali alat dan oleh orang lain dalam kawasan bekerja semasa.**

#### **Penggunaan dan penjagaan alat kuasa**

1. **Jangan gunakan alat kuasa dengan kasar. Gunakan alat kuasa yang betul untuk penggunaan anda.** Alat kuasa yang betul akan melakukan tugas dengan lebih baik dan lebih selamat pada kadar mana ia direka cipta.
2. **Jangan gunakan alat kuasa jika suis tidak berfungsi untuk menghidupkan dan mematikkannya.** Alat kuasa yang tidak dapat dikawal dengan suis adalah berbahaya dan mesti dibaiki.
3. **Cabut palam dari sumber kuasa dan/atau keluarkan pek bateri, jika boleh ditanggalkan, dari alat kuasa sebelum membuat sebarang pelarasan, menukar aksesori, atau menyimpan alat kuasa.** Langkah-langkah keselamatan pencegahan sedemikian mengurangkan risiko memulakan alat kuasa secara tidak sengaja.
4. **Simpan alat kuasa yang tidak digunakan jauh dari jangkauan kanak-kanak dan jangan biarkan orang yang tidak biasa dengan alat kuasa atau arahan ini untuk mengendalikan alat kuasa.** Alat kuasa adalah berbahaya di tangan pengguna yang tidak terlatih.
5. **Menyelenggara alat kuasa dan aksesori. Periksa salah jajaran atau ikatan pada bahagian yang bergerak, bahagian yang pecah dan apa-apa keadaan lain yang boleh menjejaskan operasi alat kuasa. Jika rosak,baiki alat kuasa sebelum digunakan.** Kebanyakan kemalangan adalah disebabkan oleh alat kuasa yang tidak dijaga dengan baik.
6. **Pastikan alat pemotong tajam dan bersih.** Alat pemotong yang dijaga dengan betul dengan hujung pemotong yang tajam mempunyai kemungkinan yang rendah untuk terikat dan lebih mudah dikendalikan.
7. **Gunakan alat kuasa, aksesori dan alat mata gerudi dan sebagainya mengikut arahan ini, dengan mengambil kira keadaan kerja dan kerja yang perlu dilakukan.** Penggunaan alat kuasa untuk operasi yang berbeza dari yang dimaksudkan boleh menyebabkan keadaan berbahaya.

8. **Pastikan pemegang dan permukaan pegangan kering, bersih dan bebas dari minyak dan gris.** Pemegang dan permukaan pegangan yang licin tidak membolehkan pengendalian dan kawalan selamat bagi alat dalam situasi yang tidak dijangka.
9. **Apabila menggunakan alat, jangan pakai sarung tangan kerja yang mungkin boleh kusut.** Kekusutan kain sarung tangan kerja pada bahagian yang bergerak mungkin menyebabkan kecederaan diri.

#### **Penggunaan dan penjagaan alat bateri**

1. **Cas semula dengan pengecas yang ditentukan oleh pengeluar sahaja.** Pengecas yang sesuai untuk satu jenis pek bateri mungkin menimbulkan risiko kebakaran apabila digunakan dengan pek bateri lain.
2. **Gunakan alat kuasa dengan pek bateri yang ditentukan secara khusus sahaja.** Penggunaan mana-mana pek bateri lain mungkin menimbulkan risiko kecederaan dan kebakaran.
3. **Apabila pek bateri tidak digunakan, jauhkannya daripada objek besi lain, seperti klip kertas, duit syiling, paku, skru atau objek besi kecil lain, yang boleh membuat sambungan dari satu terminal ke yang lain.** Memintas terminal bateri bersama-sama mungkin menyebabkan lecuran atau kebakaran.
4. **Di bawah keadaan kasar, cecair mungkin dikeluarkan daripada bateri; elakkan sentuhan. Jika tersentuh secara tidak sengaja, siram dengan air. Jika cecair terkena mata, dapatkan bantuan perubatan di samping siraman air.** Cecair yang dikeluarkan dari bateri mungkin menyebabkan kegatalan atau lecuran.
5. **Jangan gunakan pek bateri atau alat yang rosak atau diubah suai.** Bateri yang rosak atau diubah suai mungkin menunjukkan perilaku yang tidak dijangka menyebabkan kebakaran, letupan atau risiko kecederaan.
6. **Jangan dedahkan pek bateri atau alat kepada api atau suhu yang berlebihan.** Pendedahan kepada api atau suhu melebihi 130 °C mungkin menyebabkan letupan.
7. **Ikut semua arahan pengecasan dan jangan cas pek bateri atau alat di luar julat suhu yang ditetapkan dalam arahan.** Mengecas dengan tidak betul atau pada suhu di luar julat yang dinyatakan mungkin merosakkan bateri dan meningkatkan risiko kebakaran.

#### **Servis**

1. **Pastikan alat kuasa anda diservis oleh orang yang berkelayakan dengan hanya menggunakan alat ganti yang sama.** Ini akan memastikan keselamatan alat kuasa dapat dikekalkan.
2. **Jangan servis pek bateri yang telah rosak.** Servis pek bateri hanya boleh dilakukan oleh pengeluar atau penyedia servis yang sah.
3. **Ikut arahan untuk melincir dan menukar aksesori.**

## Amaran Keselamatan Gergaji Gelung Mudah alih Tanpa kord

1. Pegang alat kuasa dengan permukaan mencengkam terpicil, apabila melakukan operasi aksesori pemotong boleh tersentuh wayar yang tersembunyi. Aksesori pemotong yang bersentuh dengan wayar "hidup" boleh menyebabkan bahagian logam terdedah alat kuasa "hidup" dan boleh memberi kejutan elektrik kepada pengendali.
2. Gunakan hanya bilah yang disenaraikan dalam "SPESIFIKASI".
3. Periksa bilah dengan teliti untuk melihat keretakan atau kerosakan sebelum operasi. Gantikan yang telah retak atau rosak dengan segera.
4. Kukuhkan bahan kerja dengan kuat. Apabila memotong ikatan bahan kerja, pastikan semua bahan kerja dilindungi bersama-sama dengan baik sebelum memotong.
5. Memotong bahan kerja ditutup dengan minyak boleh menyebabkan bilah terkeluar yang tidak disangka-sangka. Mengelap semua minyak berlebihan dari bahan kerja sebelum memotong.
6. Jangan gunakan minyak pemotong sebagai pelincir pemotongan. Gunakan hanya Makita lilin pemotong.
7. Pegang alat dengan kukuh.
8. Jauhkan tangan daripada bahagian berpusing.
9. Apabila memotong logam, berhati-hati dengan percikan api berterbangan.
10. Jangan tinggalkan alat yang sedang berjalan tanpa pengawasan.
11. Jangan sentuh bilah atau bahan kerja dengan serta-merta selepas operasi; ia mungkin sangat panas dan boleh melecurkan kulit anda.

## Arahan keselamatan penting untuk kartrij bateri

1. Sebelum menggunakan kartrij bateri, baca semua arahan dan tanda amaran pada (1) pengecas bateri, (2) bateri, dan (3) produk menggunakan bateri.
2. Jangan pisahkan kartrij bateri.
3. Jika masa operasi menjadi sangat pendek, berhenti operasi serta merta. Ia mungkin menyebabkan risiko pemanasan lampau, melecur bahkan letupan.
4. Jika elektrolit masuk ke dalam mata anda, bilas mata dengan air jernih dan dapatkan rawatan perubatan serta merta. Ia mungkin menyebabkan kehilangan penglihatan.
5. Jangan pintaskan kartrij bateri:
  - (1) Jangan sentuh terminal dengan bahan berkonduksi.
  - (2) Elakkan menyimpan kartrij bateri dalam bekas bersama-sama objek besi lain seperti paku, duit syiling, dll.

- (3) Jangan dedahkan kartrij bateri kepada air atau hujan.

Pintasan bateri boleh menyebabkan aliran kuasa yang besar, pemanasan lampau, melecur dan juga kerosakan.

6. Jangan simpan alat dan kartrij bateri di lokasi yang suhunya mungkin mencapai atau melebihi 50 °C (122 °F).
7. Jangan bakar kartrij bateri walaupun jika ia rosak teruk atau haus sepenuhnya. Kartrij bateri boleh meletup dalam kebakaran.
8. Berhati-hati untuk tidak menjatuhkan atau memotong bateri.
9. Jangan gunakan bateri yang rosak.
10. Bateri litium ion yang terkandung adalah tertakluk kepada keperluan Perundangan Barangan Berbahaya. Bagi pengangkutan komersil cth. oleh pihak ketiga, ejen penghantar, keperluan khas pada pembungkusan dan pelabelan mestilah diperhatikan. Bagi persediaan item yang dihantar, berunding dengan pakar bahan berbahaya adalah diperlukan. Sila juga perhatikan sebolehnya peraturan kebangsaan yang lebih terperinci. Lekatkan atau balut bahagian terbuka dan pek bateri supaya ia tidak bergerak dalam pembungkusan.
11. Apabila melupuskan kartrij bateri, keluarkan ia daripada alat dan lupuskan ia di tempat selamat. Ikut peraturan tempatan anda mengenai pelupusan bateri.
12. Gunakan bateri hanya dengan produk yang ditentukan oleh Makita. Memasang bateri kepada produk yang tidak patuh mungkin menyebabkan kebakaran, pemanasan lampau, atau kebocoran elektrolit.
13. Jika alat tidak digunakan untuk tempoh masa yang lama, bateri mesti dikeluarkan daripada alat.

## SIMPAN ARAHAN INI.

**⚠PERHATIAN:** Hanya gunakan bateri asli Makita. Penggunaan bateri tidak asli Makita, atau bateri yang telah diubah suai, mungkin menyebabkan bateri meletup menyebabkan kebakaran, kecederaan diri dan kerosakan. Ia juga membatalkan jaminan Makita untuk alat Makita dan pengecas.

## Tip untuk mengekalkan hayat bateri maksimum

1. Cas kartrij bateri sebelum ternyahcas sepenuhnya. Sentiasa hentikan operasi alat dan cas kartrij bateri apabila anda menyedari kurang kuasa alat.
2. Jangan cas semula kartrij bateri yang dicas sepenuhnya. Terlebih cas memendekkan hayat servis bateri.
3. Cas kartrij bateri dengan suhu bilik pada 10 °C - 40 °C (50 °F - 104 °F). Biarkan kartrij bateri yang panas menyejuk sebelum mengecasnya.

4. Cas kartrij bateri jika anda tidak gunakannya untuk tempoh yang lama (lebih daripada enam bulan).

## KETERANGAN FUNGSI

**⚠️ PERHATIAN:** Sentiasa pastikan alat dimatikan dan kartrij bateri dikeluarkan sebelum menyelaras atau menyemak fungsi pada alat.

## Memasang atau mengeluarkan kartrij bateri

**⚠️ PERHATIAN:** Sentiasa matikan alat sebelum memasang atau mengeluarkan kartrij bateri.

**⚠️ PERHATIAN:** Pegang alat dan kartrij bateri dengan kukuh apabila memasang atau mengeluarkan kartrij bateri. Gagal untuk memegang alat dan kartrij bateri dengan kukuh mungkin menyebabkan mereka terlepas daripada tangan anda dan mengakibatkan kerosakan kepada alat dan kartrij bateri dan kecederaan peribadi.

- **Rajah1:** 1. Penunjuk merah 2. Butang 3. Kartrij bateri

Untuk mengeluarkan kartrij bateri, luncurkan ia daripada alat apabila meluncurkan butang di hadapan kartrij.

Untuk memasang kartrij bateri, selaraskan lidah pada kartrij bateri dengan alur pada perumah dan gelincirkan ia ke tempatnya. Masukkan ia sepenuhnya sehingga ia terkunci di tempatnya dengan klik kecil. Jika anda boleh melihat penunjuk merah di sisi atas butang, ia tidak dikunci sepenuhnya.

**⚠️ PERHATIAN:** Sentiasa pasang kartrij bateri sepenuhnya sehingga penunjuk merah tidak boleh dilihat. Jika tidak, ia mungkin jatuh daripada alat, menyebabkan kecederaan kepada anda atau seseorang di sekeliling anda.

**⚠️ PERHATIAN:** Jangan pasang kartrij bateri secara paksa. Jika kartrij tidak meluncur dengan mudah, ia tidak dimasukkan dengan betul.

## Menunjukkan kapasiti bateri yang tinggal

**Hanya untuk kartrij bateri dengan penunjuk**

- **Rajah2:** 1. Lampu penunjuk 2. Butang semak

Tekan butang semak pada kartrij bateri untuk menunjukkan kapasiti bateri yang tinggal. Lampu penunjuk menyala untuk beberapa saat.

Lampu penunjuk			Kapasiti bateri yang tinggal
Dinyalakan	Mati	Berkelip	
■ ■ ■ ■			75% hingga 100%
■ ■ ■ □			50% hingga 75%
■ ■ □ □			25% hingga 50%
■ □ □ □			0% hingga 25%
◻ ◻ ◻ ◻			Cas bateri.
◻ ◻ ◻ ◻	↑ ↓		Bateri mungkin telah rosak.

**NOTA:** Bergantung kepada keadaan penggunaan dan suhu persekitaran, penunjuk mungkin berbeza sedikit daripada kapasiti sebenar.

## Menunjukkan kapasiti bateri yang tinggal

**Khusus negara**

- **Rajah3:** 1. Penunjuk bateri

Apabila anda menarik pemacu suis, paparan LED menunjukkan kapasiti bateri yang tinggal. Kapasiti bateri yang tinggal ditunjukkan seperti jadual di bawah.

Status penunjuk bateri		Kapasiti bateri yang tinggal
Hidup	Mati	
	■ ■ ■ ◻	50% hingga 100%
	■ ■ ◻ ◻	20% hingga 50%
	■ ◻ ◻ ◻	0% hingga 20%
	◻ ◻ ◻ ◻	Cas bateri

**NOTA:** Apabila paparan LED dimatikan, alat dimatikan untuk menjimatkan kuasa bateri. Untuk memeriksa baki kapasiti bateri, tarik sedikit pemacu suis.

**NOTA:** Paparan LED mati lebih kurang satu minit selepas melepaskan pemacu suis.

**NOTA:** Apabila paparan LED menyala dan alat berhenti walaupun dengan kartrij bateri yang dicas semula, sejukkan alat sepenuhnya. Jika status tidak berubah, berhenti menggunakan alat dan biarkan alat dibaiki oleh pusat servis tempatan Makita.

## Sistem perlindungan alat / bateri

Alat dilengkapi dengan sistem perlindungan alat/bateri. Sistem ini memotong kuasa kepada motor secara automatik untuk memanjangkan hayat alat dan bateri. Alat akan berhenti secara automatik ketika operasi jika alat atau bateri diletakkan di bawah salah satu syarat yang berikut:

### Perlindungan lebih beban

Apabila bateri dihidupkan dengan cara yang menyebabkan ia menarik arus yang luar biasa tinggi, alat itu akan berhenti secara automatik tanpa sebarang petunjuk. Dalam situasi ini, matikan alat dan hentikan penggunaan yang menyebabkan alat menjadi terlebih beban. Kemudian hidupkan alat untuk mula semula.

### Perlindungan pemanasan lampau

Apabila alat terlampau panas, alat berhenti secara automatik dan lampu mula berkelip. Dalam situasi ini, biarkan alat dan bateri sejuk sebelum hidupkan alat semula.

### Perlindungan lebih nyahcas

Apabila kapasiti bateri tidak mencukupi, alat akan berhenti secara automatik. Dalam situasi ini, keluarkan bateri daripada alat dan cas bateri.

## Cangkuk

**⚠️PERHATIAN:** Jangan sangkut alat pada lokasi yang tinggi atau pada lokasi yang berpotensi tidak stabil.

Cangkuk digunakan untuk menggantung alat sementara.

Untuk menggunakan cangkuk, hanya naikkan cangkuk sehingga ia berdetap ke kedudukan terbuka. Apabila tidak digunakan, sentiasa rendahkan cangkuk sehingga ia berdetap ke kedudukan tertutup.

#### Kedudukan terbuka

► **Rajah4:** 1. Cangkuk

#### Kedudukan tertutup

► **Rajah5:** 1. Cangkuk

## Tindakan suis

**⚠️AMARAN:** Sebelum memasang kartrij bateri ke dalam alat, sentiasa periksa untuk melihat pemacu suis bergerak dengan betul dan kembali ke posisi "OFF" apabila dilepaskan.

**⚠️AMARAN:** JANGAN SEKALI-KALI gagalkan butang buka kunci dengan mengetuk atau dengan cara yang lain. Suis dengan butang buka kunci yang tidak berfungsi mungkin menyebabkan operasi yang tidak disengajakan dan kecederaan diri yang serius.

**⚠️AMARAN:** JANGAN SEKALI-KALI gunakan alat jika ia berjalan apabila anda hanya menarik pemacu suis tanpa menekan butang buka kunci. Suis yang perlu dibaiki mungkin menyebabkan operasi yang tidak disengajakan dan kecederaan diri yang serius. Kembalikan alat kepada pusat servis Makita untuk pembaikan yang betul SEBELUM penggunaan seterusnya.

Untuk mengelakkan pemacu suis daripada ditarik secara tidak sengaja, butang buka kunci disediakan. Untuk memulakan alat, tekan butang buka kunci dan tarik pemacu suis.

Kelajuan alat ditingkatkan dengan menambah tekanan pada pemacu suis. Lepaskan pemacu suis untuk berhenti.

► **Rajah6:** 1. Butang buka kunci 2. Pemacu suis

## Dail pelarasan kelajuan

► **Rajah7:** 1. Dail pelarasan kelajuan

Kelajuan alat boleh diselaraskan di antara jarak 1.3 m/s dan 3.2 m/s dengan memutar dail pelarasan. Kelajuan yang lebih tinggi diperoleh apabila dail diubah ke arah nombor 6; kelajuan lebih rendah diperoleh apabila ia beralih ke arah nombor 1.

Pilih kelajuan yang betul untuk bahan kerja yang hendak dipotong.

**NOTIS:** Apabila menukar dail kelajuan dari "6" kepada "1", putar dail lawan arah jam. Jangan putar dail mengikut arah jam dengan cara paksa.

**NOTIS:** Bahan plastik boleh cair apabila memotong pada kelajuan tinggi.

## Menyalakan lampu hadapan

**⚠️ PERHATIAN:** Jangan lihat ke dalam cahaya atau lihat sumber cahaya secara langsung.

Tarik pemacu suis untuk menyalakan lampu. Lampu tetap menyala apabila pemacu suis ditarik. Lampu padam lebih kurang 10 saat selepas melepaskan pemacu suis.

► **Rajah8:** 1. Lampu

**NOTA:** Jangan menggunakan impak kepada lampu, yang boleh menyebabkan kerosakan atau masa perkhidmatan yang singkat.

**NOTA:** Gunakan kain kering untuk mengelap kotoran daripada lensa lampu. Berhati-hati agar tidak mencalarakan lensa lampu, atau ia mungkin mengurangkan pencahayaan.

**NOTA:** Apabila alat terlalu panas, lampu berkelip selama satu minit dan kemudian akan terpadam. Dalam kes ini, sejukkan alat sebelum operasi lagi.

## PEMASANGAN

**⚠️ PERHATIAN:** Sentiasa pastikan alat dimatikan dan kartrij bateri dikeluarkan sebelum menjalankan sebarang kerja pada alat.

## Memasang atau mengeluarkan bilah gergaji gelung

**⚠️ PERHATIAN:** Minyak pada bilah gergaji gelung boleh menyebabkan bilah gelincir atau keluar dengan tidak disangka-sangka. Lap semua minyak berlebihan dengan kain sebelum memasang bilah gergaji gelung.

**⚠️ PERHATIAN:** Sentiasa pakai sarung tangan semasa mengendalikan bilah gergaji gelung.

**⚠️ PERHATIAN:** Menggunakan dengan berhati-hati apabila mengendalikan bilah gergaji gelung untuk mengelakkan dipotong oleh gigi bilah tepi yang tajam.

**⚠️ PERHATIAN:** Jauhkan badan anda dari bilah gergaji gelung apabila memeriksa pergerakan bilah.

**⚠️ PERHATIAN:** Apabila memusingkan tuil dan ketatkan bilah ikut arah jam untuk melepaskan ketegangan pada bilah gergaji gelung, arahkan alat ke bawah kerana bilah gergaji gelung boleh terlepas tanpa diduga.

Untuk memasang bilah gergaji gelung:

1. Putarkan tuil dan ketatkan bilah mengikut arah jam sehingga ia berhenti untuk melonggarkan roda.

► **Rajah9:** 1. Ketatkan 2. Longgarkan 3. Tuil mengetatkan bilah

2. Buka penutup roda.

► **Rajah10:** 1. Penutup roda 2. Cangkuk

**NOTIS:** Apabila membuka penutup roda, buka dan lepaskan kedua-dua cangkuk pada masa yang sama. Membuka hanya satu cangkuk boleh menyebabkan retak kepada penutup roda.

3. Padankan arah anak panah kepada bilah gergaji gelung dan roda.

4. Masukkan sisi bukan bergerigi bilah gergaji gelung ke dalam pemegang atas dan pemegang bawah.

Pastikan bilah gergaji gelung di kedua-dua pemegang atas dan bawah menyentuh ke bearing bawah.

► **Rajah11:** 1. Pemegang bawah 2. Pemegang atas 3. Bearing bawah

5. Dengan menekan bahagian tengah bilah gergaji gelung, letakkan bilah di sekeliling satu roda. Menggerakkan roda ke sebelah A dan membuatnya lebih mudah untuk melakukannya.

► **Rajah12:** 1. Roda 2. Tayar getah

6. Letakkan bilah gergaji gelung pada roda lain yang sama.

7. Letakkan tepi bilah gergaji gelung kepada tayar getah.

8. Pegang gergaji bilah di tempat dan putarkan tuil dan ketatkan bilah ikut lawan jam sehingga ianya berhenti. Ini meletakkan ketegangan yang betul pada bilah gergaji gelung.

9. Tutup penutup roda.

**NOTIS:** Pastikan bahawa bilah gergaji gelung diletakkan dengan betul di sekeliling roda.

**NOTIS:** Mula dan hentikan alat dua atau tiga kali untuk memastikan bilah gergaji gelung berjalan dengan betul pada roda.

Untuk mengeluarkan bilah gergaji gelung, ikut prosedur pemasangan secara terbalik.

## Melaraskan trek bilah

Apabila bilah gergaji gelung cenderung untuk gelincir keluar dari roda, laras trek bilah.

Untuk melaras, pasang kunci allen ke dalam lubang pelarasan seperti yang digambarkan dan buat satu perempat berpusing mengikut arah jam. Selepas itu, periksa sama ada bilah gergaji gelung itu tidak terlepas. Jika ia masih tergelincir keluar, buatlah satu lagi pusingan dan periksa sehingga bilah gergaji gelung tidak tergelincir keluar.

► **Rajah13:** 1. Kunci allen 2. Lubang pelarasan

## Melaraskan kedudukan plat penyumbat

Dalam operasi biasa, tonjol plat penyumbat kepada bahagian A sepenuhnya.

Apabila plat penyumbat menghentam halangan seperti dinding atau seperti penamat yang dipotong, longgarkan dua bolt dan luncurkannya ke sisi B seperti dalam rajah.

Selepas meluncurkan plat penyumbat, selamatkannya dengan mengetatkan dua bolt dengan kuat.

► **Rajah14:** 1. Plat penyumbat 2. Bolt 3. Bilah gergaji gelung



## Memasang genggamannya sisi (pemegang)

### Aksesori pilihan

Skrus genggamannya sisi dengan kukuh pada kedudukan alat seperti yang ditunjukkan dalam rajah.

► **Rajah15**

## OPERASI

**⚠PERHATIAN:** Sentiasa masukkan kartrij bateri sepenuhnya sehingga ia terkunci di tempatnya. Jika anda boleh melihat penunjuk merah di sisi atas butang, ia tidak dikunci sepenuhnya. Masukkan ia sepenuhnya sehingga penunjuk merah tidak boleh dilihat. Jika tidak, ia mungkin jatuh daripada alat, menyebabkan kecederaan kepada anda atau seseorang di sekeliling anda.

**⚠PERHATIAN:** Sentiasa pegang pemegang. Jangan sekali-kali memegang badan alat atau pengadang. Tangan boleh tergelincir dari kedudukan dan sambungan dengan bilah gergaji gelung. Ia boleh menyebabkan kecederaan diri.

**⚠PERHATIAN:** Pastikan penutup roda ditutup dengan kukuh.

**⚠PERHATIAN:** Pastikan untuk memegang alat dengan kuat apabila menghidupkan atau mematikan alat atau semasa memotong. Jika tidak alat boleh jatuh dan menyebabkan kecederaan.

**⚠PERHATIAN:** Sentiasa memakai sarung tangan untuk melindungi tangan anda dari percikan api berterbangan apabila memotong logam.

**⚠PERHATIAN:** Pastikan badan dan muka anda jauh dari bilah gergaji gelung dan serpihan berterbangan.

Untuk pemotongan yang stabil, sentiasa menyimpan sekurang-kurangnya dua gigi dalam potongan.

► **Rajah16**

Menggunakan bilah gergaji gelung pada kedudukan pemotongan yang sesuai pada bahan kerja seperti yang digambarkan.

► **Rajah17**

1. Pegang alat seperti yang digambarkan.

Sebelum menghidupkan alat itu, sentiasa memastikan plat penyumbat menyentuh bahan kerja dan bilah gergaji gelung adalah bersih dari bahan kerja.

► **Rajah18**

2. Hidupkan alat tersebut. Perlahan-lahan menurunkan bilah semasa memotong. Berat alat atau menekan sedikit alat ini akan membekalkan tekanan yang mencukupi untuk pemotongan. Jangan paksa alat.

► **Rajah19**

3. Apabila anda sampai ke penghujung potongan, lepaskan tekanan dan angkat alat sedikit supaya alat itu tidak jatuh kepada bahan kerja.

**NOTIS:** Menggunakan tekanan berlebihan kepada alat atau memutar bilah gelung gergaji boleh menyebabkan pemotongan serong atau kerosakan pada bilah.

**NOTIS:** Apabila tidak menggunakan alat untuk jangka masa yang panjang, keluarkan bilah gergaji gelung dari alat tersebut.

**NOTIS:** Jika alat dikendalikan secara berterusan sehingga kartrij bateri telah dinyahcas, biarkan alat berehat selama 15 minit sebelum meneruskan dengan bateri baharu.

## Pemotong pelincir

### Aksesori pilihan

**⚠PERHATIAN:** Jangan menggunakan minyak memotong atau lilin berlebihan untuk bilah gergaji gelung. Ia boleh menyebabkan bilah untuk tergelincir atau turun tanpa diduga.

**⚠PERHATIAN:** Apabila memotong besi tuang, jangan gunakan lilin pemotong.

Apabila memotong logam, gunakan Makita lilin pemotong sebagai pelincir pemotong. Untuk menggunakan lilin pemotong ke gigi bilah gergaji gelung, keluarkan penutup lilin pemotong, mulakan alat dan potong lilin pemotong seperti yang digambarkan.

► **Rajah20:** 1. Lilin pemotong

## PENYELENGGARAAN

**⚠PERHATIAN:** Sentiasa pastikan alat dimatikan dan kartrij bateri dikeluarkan sebelum cuba menjalankan pemeriksaan atau penyelenggaraan.

**NOTIS:** Jangan gunakan petrol, benzin, pencair, alkohol atau bahan yang serupa. Ia boleh menyebabkan perubahan warna, bentuk atau keretakan.

Untuk mengekalkan KESELAMATAN dan KEBOLEHPERCAYAAN produk, pembaikan, apa-apa penyelenggaraan atau penyesuaian lain perlu dilakukan oleh Kilang atau Pusat Servis Makita yang Diiktiraf, sentiasa gunakan alat ganti Makita.

## Membersih

**⚠PERHATIAN:** Lilin dan serpihan pada tayar getah pada roda boleh menyebabkan bilah gergaji gelung tergelincir dan turun tanpa diduga. Gunakan kain kering untuk mengeluarkan lilin dan serpihan dari tayar getah.

Selepas menggunakan, keluarkan lilin, serpihan dan habuk dari alat, tayar getah pada roda dan bilah gergaji gelung.

## Menggantikan tayar getah pada roda

Gantikan tayar getah apabila bilah gergaji gelung tergelincir atau tidak trek dengan betul kerana tayar yang buruk dipakai.

Untuk menggantikan tayar getah, minta Kebenaran Makita atau Pusat Servis Kilang.

## AKSESORI PILIHAN

**⚠️ PERHATIAN:** Aksesori-aksesori atau lampiran-lampiran ini adalah disyorkan untuk digunakan dengan alat Makita anda yang ditentukan dalam manual ini. Penggunaan mana-mana aksesori-aksesori atau lampiran-lampiran lain mungkin mengakibatkan risiko kecederaan kepada orang. Hanya gunakan aksesori atau lampiran untuk tujuan yang dinyatakannya.

Jika anda memerlukan bantuan untuk butiran lanjut berkenaan aksesori-aksesori ini, tanya Pusat Servis Makita tempatan anda.

- Bateri dan pengecas asli Makita
- Bilah gergaji gelung
- Lilin pemotong
- Grip 36

**NOTA:** Beberapa item dalam senarai mungkin disertakan dalam pakej alat sebagai aksesori standard. Item mungkin berbeza mengikut negara.

## THÔNG SỐ KỸ THUẬT

Kiểu máy:		DPB183
Công suất cắt tối đa	Phôi gia công hình tròn	66 mm
	Phôi gia công hình chữ nhật	66 mm x 66 mm
Tốc độ lưỡi cưa		0 - 3,2 m/s (0 - 190 m/min)
Kích thước lưỡi cưa	Chiều dài	835 mm
	Chiều rộng	13 mm
	Độ dày	0,5 mm
Kích thước (D x R x C) không có nắp đậy đĩa		392 mm x 174 mm x 242 mm
Điện áp định mức		D.C. 18 V
Khối lượng tịnh không có nắp đậy đĩa		3,6 - 3,9 kg

- Do chương trình nghiên cứu và phát triển liên tục của chúng tôi nên các thông số kỹ thuật trong đây có thể thay đổi mà không cần thông báo trước.
- Các thông số kỹ thuật có thể thay đổi tùy theo từng quốc gia.
- Khối lượng có thể khác nhau tùy thuộc vào (các) phụ kiện, bao gồm cả hộp pin. Tổ hợp nhẹ nhất và nặng nhất, theo Quy trình EPTA 01/2014, được trình bày trong bảng.

### Hộp pin và sạc pin có thể áp dụng

Hộp pin	BL1815N / BL1820 / BL1820B / BL1830 / BL1830B / BL1840 / BL1840B / BL1850 / BL1850B / BL1860B
Bộ sạc	DC18RC / DC18RD / DC18RE / DC18SD / DC18SE / DC18SF / DC18SH

- Một số hộp pin và sạc pin được nêu trong danh sách ở trên có thể không khả dụng tùy thuộc vào khu vực cư trú của bạn.

**⚠ CẢNH BÁO:** Chỉ sử dụng hộp pin và sạc pin được nêu trong danh sách ở trên. Việc sử dụng bất cứ hộp pin và sạc pin nào khác có thể gây ra thương tích và/hoặc hỏa hoạn.

### Ký hiệu

Phần dưới đây cho biết các ký hiệu có thể được dùng cho thiết bị. Đảm bảo rằng bạn hiểu rõ ý nghĩa của các ký hiệu này trước khi sử dụng.



Đọc tài liệu hướng dẫn.



Mang kính an toàn.



Ni-MH  
Li-ion

Chỉ dành cho các quốc gia EU  
Không thải bỏ thiết bị điện hoặc bộ pin cùng với các chất thải sinh hoạt!  
Đề tuân thủ các Chỉ thị của Châu Âu về thiết bị điện và điện tử thải bỏ, và về pin và ắc quy và pin và ắc quy thải bỏ, và thi hành những chỉ thị này phù hợp với luật lệ quốc gia, các thiết bị điện tử và pin và (các) bộ pin không còn sử dụng được nữa phải được thu nhặt riêng và đưa trở lại một cơ sở tái chế tương thích với môi trường.

### Mục đích sử dụng

Dụng cụ được sử dụng để cắt nhựa và vật liệu chứa sắt.

## CẢNH BÁO AN TOÀN

### Cảnh báo an toàn chung dành cho dụng cụ máy

**⚠ CẢNH BÁO:** Xin đọc tất cả các cảnh báo an toàn, hướng dẫn, minh họa và thông số kỹ thuật đi kèm với dụng cụ máy này. Việc không tuân theo các hướng dẫn được liệt kê dưới đây có thể dẫn đến điện giật, hỏa hoạn và/hoặc thương tích nghiêm trọng.

# Lưu giữ tất cả cảnh báo và hướng dẫn để tham khảo sau này.

Thuật ngữ “dụng cụ máy” trong các cảnh báo đề cập đến dụng cụ máy (có dây) được vận hành bằng nguồn điện chính hoặc dụng cụ máy (không dây) được vận hành bằng pin của bạn.

## An toàn tại nơi làm việc

- Giữ nơi làm việc sạch sẽ và có đủ ánh sáng.** Nơi làm việc bừa bộn hoặc tối thường dễ gây ra tai nạn.
- Không vận hành dụng cụ máy trong môi trường cháy nổ, ví dụ như môi trường có sự hiện diện của các chất lỏng, khí hoặc bụi dễ cháy.** Các dụng cụ máy tạo tia lửa điện có thể làm bụi hoặc khí bốc cháy.
- Giữ trẻ em và người ngoài tránh xa nơi làm việc khi đang vận hành dụng cụ máy.** Sự xao lãng có thể khiến bạn mất khả năng kiểm soát.

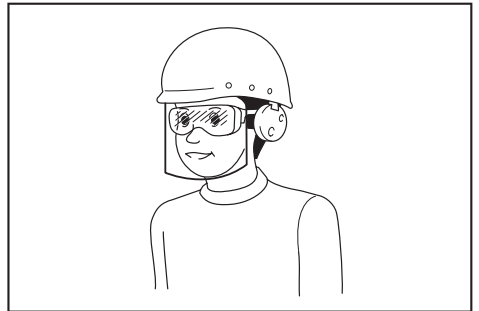
## An toàn về Điện

- Phích cắm của dụng cụ máy phải khớp với ổ cắm. Không được sửa đổi phích cắm theo bất kỳ cách nào. Không sử dụng bất kỳ phích chuyển đổi nào với các dụng cụ máy được nối đất (tiếp đất).** Các phích cắm còn nguyên vẹn và ổ cắm phù hợp sẽ giảm nguy cơ điện giật.
- Tránh đề cơ thể tiếp xúc với các bề mặt nóng hoặc tiếp đất như đường ống, bộ tản nhiệt, bếp ga và tủ lạnh.** Nguy cơ bị điện giật sẽ tăng lên nếu cơ thể bạn được nối đất hoặc tiếp đất.
- Không để dụng cụ máy tiếp xúc với mưa hoặc trong điều kiện ẩm ướt.** Nước lọt vào dụng cụ máy sẽ làm tăng nguy cơ điện giật.
- Không lạm dụng dây điện. Không được phép sử dụng dây để mang, kéo hoặc tháo phích cắm dụng cụ máy. Giữ dây tránh xa nguồn nhiệt, dầu, các mép sắc hoặc các bộ phận chuyển động.** Dây bị hỏng hoặc bị rối sẽ làm tăng nguy cơ điện giật.
- Khi vận hành dụng cụ máy ngoài trời, hãy sử dụng dây kéo dài phù hợp cho việc sử dụng ngoài trời.** Việc dùng dây phù hợp cho việc sử dụng ngoài trời sẽ giảm nguy cơ điện giật.
- Nếu bắt buộc phải vận hành dụng cụ máy ở nơi ẩm ướt, hãy sử dụng nguồn cấp điện được bảo vệ bằng thiết bị ngắt dòng điện rò (RCD).** Việc sử dụng RCD sẽ làm giảm nguy cơ điện giật.
- Các dụng cụ máy có thể tạo ra từ trường điện (EMF) có hại cho người dùng.** Tuy nhiên, người dùng máy trợ tim và những thiết bị y tế tương tự khác nên liên hệ với nhà sản xuất thiết bị và/hoặc bác sỹ để được tư vấn trước khi vận hành dụng cụ máy.

## An toàn Cá nhân

- Luôn tỉnh táo, quan sát những việc bạn đang làm và sử dụng những phán đoán theo kinh nghiệm khi vận hành dụng cụ máy. Không sử dụng dụng cụ máy khi bạn đang mệt mỏi hoặc chịu ảnh hưởng của ma túy, rượu hay thuốc.** Chỉ một khoảnh khắc không tập trung khi đang vận hành dụng cụ máy cũng có thể dẫn đến thương tích cá nhân nghiêm trọng.

- Sử dụng thiết bị bảo hộ cá nhân. Luôn đeo thiết bị bảo vệ mắt.** Các thiết bị bảo hộ như mặt nạ chống bụi, giày an toàn chống trượt, mũ bảo hộ hay thiết bị bảo vệ thính giác được sử dụng trong các điều kiện thích hợp sẽ giúp giảm thương tích cá nhân.
- Tránh vô tình khởi động dụng cụ máy. Đảm bảo công tắc ở vị trí off (tắt) trước khi nối nguồn điện và/hoặc bộ pin, cầm hoặc di chuyển dụng cụ máy.** Việc di chuyển dụng cụ máy khi đang đặt ngón tay ở vị trí công tắc hoặc cấp điện cho dụng cụ máy đang bật thường dễ gây ra tai nạn.
- Tháo tất cả các khóa hoặc cờ lê điều chỉnh trước khi bật dụng cụ máy.** Việc cờ lê hoặc khóa vẫn còn gắn vào bộ phận quay của dụng cụ máy có thể dẫn đến thương tích cá nhân.
- Không vịn quá cao. Luôn giữ thăng bằng tốt và có chỗ để chân phù hợp.** Điều này cho phép điều khiển dụng cụ máy tốt hơn trong những tình huống bất ngờ.
- Ăn mặc phù hợp. Không mặc quần áo rộng hay đeo đồ trang sức. Giữ tóc và quần áo tránh xa các bộ phận chuyển động.** Quần áo rộng, đồ trang sức hay tóc dài có thể mắc vào các bộ phận chuyển động.
- Nếu các thiết bị được cung cấp để kết nối các thiết bị thu gom và hút bụi, hãy đảm bảo chúng được kết nối và sử dụng hợp lý.** Việc sử dụng thiết bị thu gom bụi có thể làm giảm những mối nguy hiểm liên quan đến bụi.
- Không vì quen thuộc do thường xuyên sử dụng các dụng cụ mà cho phép bạn trở nên tự mãn và bỏ qua các nguyên tắc an toàn dụng cụ.** Một hành động bất cẩn có thể gây ra thương tích nghiêm trọng trong một phần của một giây.
- Luôn luôn mang kính bảo hộ để bảo vệ mắt khỏi bị thương khi đang sử dụng các dụng cụ máy. Kính bảo hộ phải tuân thủ ANSI Z87.1 ở Mỹ, EN 166 ở Châu Âu, hoặc AS/NZS 1336 ở Úc/New Zealand. Tại Úc/New Zealand, theo luật pháp, bạn cũng phải mang mặt nạ che mặt để bảo vệ mặt.**



Trách nhiệm của chủ lao động là bắt buộc người vận hành dụng cụ và những người khác trong khu vực làm việc cạnh đó phải sử dụng các thiết bị bảo hộ an toàn thích hợp.

## Sử dụng và bảo quản dụng cụ máy

1. **Không dùng lực đối với dụng cụ máy. Sử dụng đúng dụng cụ máy cho công việc của bạn.** Sử dụng đúng dụng cụ máy sẽ giúp thực hiện công việc tốt hơn và an toàn hơn theo giá trị định mức được thiết kế của dụng cụ máy đó.
2. **Không sử dụng dụng cụ máy nếu công tắc không bật và tắt được dụng cụ máy đó.** Mọi dụng cụ máy không thể điều khiển được bằng công tắc đều rất nguy hiểm và phải được sửa chữa.
3. **Rút phích cắm ra khỏi nguồn điện và/hoặc tháo kết nối bộ pin khỏi dụng cụ máy, nếu có thể tháo rời trước khi thực hiện bất kỳ công việc điều chỉnh, thay đổi phụ tùng hay cất giữ dụng cụ máy nào.** Những biện pháp an toàn phòng ngừa này sẽ giảm nguy cơ vô tình khởi động dụng cụ máy.
4. **Cất giữ các dụng cụ máy không sử dụng ngoài tầm với của trẻ em và không cho bất kỳ người nào không có hiểu biết về dụng cụ máy hoặc các hướng dẫn này vận hành dụng cụ máy.** Dụng cụ máy sẽ rất nguy hiểm nếu được sử dụng bởi những người dùng chưa qua đào tạo.
5. **Bảo dưỡng dụng cụ máy và các phụ kiện. Kiểm tra tình trạng lệch trục hoặc bó kẹt của các bộ phận chuyển động, hiện tượng nứt vỡ của các bộ phận và mọi tình trạng khác mà có thể ảnh hưởng đến hoạt động của dụng cụ máy. Nếu có hỏng hóc, hãy sửa chữa dụng cụ máy trước khi sử dụng.** Nhiều tai nạn xảy ra là do không bảo quản tốt dụng cụ máy.
6. **Luôn giữ cho dụng cụ cất được sắc bén và sạch sẽ.** Những dụng cụ cất được bảo quản tốt có mức cắt sắc sẽ ít bị kẹt hơn và dễ điều khiển hơn.
7. **Sử dụng dụng cụ máy, phụ tùng và đầu dụng cụ cắt, v.v... theo các hướng dẫn này, có tính đến điều kiện làm việc và công việc được thực hiện.** Việc sử dụng dụng cụ máy cho các công việc khác với công việc dự định có thể gây nguy hiểm.
8. **Giữ tay cầm và bề mặt tay cầm khô, sạch, không dính dầu và mỡ.** Tay cầm trơn trượt và bề mặt tay cầm không cho phép xử lý an toàn và kiểm soát dụng cụ trong các tình huống bất ngờ.
9. **Khi sử dụng dụng cụ, không được đi giày tay lao động bằng vải vớng vào các bộ phận chuyển động có thể gây ra thương tích cá nhân.**

## Sử dụng và bảo quản dụng cụ dùng pin

1. **Chỉ sạc pin lại với bộ sạc do nhà sản xuất quy định.** Bộ sạc phù hợp với một loại bộ pin này có thể gây ra nguy cơ hỏa hoạn khi được dùng cho một bộ pin khác.
2. **Chỉ sử dụng các dụng cụ máy với các bộ pin được quy định cụ thể.** Việc sử dụng bất cứ bộ pin nào khác có thể gây ra thương tích và hỏa hoạn.
3. **Khi không sử dụng bộ pin, hãy giữ tránh xa các đồ vật khác bằng kim loại, chẳng hạn như kẹp giấy, tiền xu, chìa khóa, đinh, ốc vít hoặc các vật nhỏ bằng kim loại mà có thể làm nối tất các đầu cực pin.** Các đầu cực pin bị đoản mạch có thể gây cháy hoặc hỏa hoạn.

4. **Trong điều kiện sử dụng quá mức, pin có thể bị chảy nước; hãy tránh tiếp xúc. Nếu vô tình tiếp xúc với pin bị chảy nước, hãy rửa sạch bằng nước. Nếu dung dịch từ pin tiếp xúc với mắt, cần đi khám bác sĩ thêm.** Dung dịch chảy ra từ pin có thể gây rát da hoặc bỏng.
5. **Không sử dụng bộ pin hoặc dụng cụ bị hư hỏng hoặc đã bị sửa đổi.** Pin đã bị hư hỏng hoặc đã bị sửa đổi có thể hành động theo cách không thể đoán trước dẫn đến cháy, nổ hoặc nguy cơ chấn thương.
6. **Không để bộ pin hoặc dụng cụ tiếp xúc với lửa hoặc nhiệt độ quá cao.** Tiếp xúc với lửa hoặc nhiệt độ trên 130 °C có thể gây ra cháy nổ.
7. **Làm theo tất cả các hướng dẫn sạc pin và không được sạc bộ pin hoặc dụng cụ vượt giới hạn nhiệt độ quy định trong hướng dẫn.** Sạc pin không đúng hoặc ở nhiệt độ vượt giới hạn nhiệt độ có thể gây hư hỏng cho pin và làm tăng nguy cơ cháy.

## Bảo dưỡng

1. **Đề nghị viên sửa chữa đủ trình độ bảo dưỡng dụng cụ máy của bạn và chỉ sử dụng các bộ phận thay thế đồng nhất.** Việc này sẽ đảm bảo duy trì được độ an toàn của dụng cụ máy.
2. **Không bao giờ sử dụng bộ pin đã hỏng.** Dịch vụ bảo hành bộ pin chỉ nên thực hiện bởi nhà sản xuất hoặc các nhà cung cấp dịch vụ được ủy quyền.
3. **Tuân theo hướng dẫn dành cho việc bôi trơn và thay phụ tùng.**

## Cảnh Báo An Toàn Cho Máy Cưa Vòng Cầm Tay Hoạt Động Bằng Pin

1. **Cầm dụng cụ máy bằng bề mặt tay cầm cách điện khi thực hiện một thao tác trong đó phụ tùng cắt có thể tiếp xúc với dây điện ngầm.** Phụ kiện cắt tiếp xúc với dây dẫn "có điện" có thể khiến các bộ phận kim loại bị hở của dụng cụ máy "có điện" và làm cho người vận hành bị điện giật.
2. **Chỉ sử dụng lưỡi cưa được liệt kê trong "THÔNG SỐ KỸ THUẬT".**
3. **Kiểm tra các lưỡi cưa thật cẩn thận xem có nứt hoặc hư hỏng gì không trước khi vận hành. Thay thế lưỡi bị nứt hoặc hư hỏng ngay lập tức.**
4. **Cố định chặt phôi gia công. Khi cắt một bó phôi gia công, hãy đảm bảo rằng tất cả các phôi gia công đều được cố định chắc chắn trước khi cắt.**
5. **Cắt các phôi gia công còn phủ dầu có thể làm lưỡi cưa rơi ra bất ngờ. Lau sạch tất cả các phần dầu thừa trên các phôi gia công trước khi cắt.**
6. **Không sử dụng dầu cắt để thay thế dầu nhờn. Chỉ sử dụng sáp cắt của Makita.**
7. **Cầm chắc dụng cụ.**
8. **Giữ tay tránh xa các bộ phận quay.**
9. **Khi cắt kim loại, cẩn thận với các phôi nóng bắn ra.**
10. **Không để mặc dụng cụ chạy.**

- Không chạm vào lưới cửa hay phơi gia công ngay sau khi vận hành; chúng có thể rất nóng và gây bỏng da.

## Hướng dẫn quan trọng về an toàn dành cho hộp pin

- Trước khi sử dụng hộp pin, hãy đọc kỹ tất cả các hướng dẫn và dấu hiệu cảnh báo trên (1) bộ sạc pin, (2) pin và (3) sản phẩm sử dụng pin.
- Không tháo rời hộp pin.
- Nếu thời gian vận hành ngắn hơn quá mức, hãy ngừng vận hành ngay lập tức. Điều này có thể dẫn đến rùi ro quá nhiệt, có thể gây bỏng và thậm chí là nổ.
- Nếu chất điện phân rơi vào mắt, hãy rửa sạch bằng nước sạch và đến cơ sở y tế ngay lập tức. Chất này có thể khiến bạn giảm thị lực.
- Không để hộp pin ở tình trạng đoản mạch:
  - Không chạm vào cực pin bằng vật liệu dẫn điện.
  - Tránh cất giữ hộp pin trong hộp có các vật kim loại khác như đinh, tiền xu, v.v...
  - Không được để hộp pin tiếp xúc với nước hoặc mưa.
- Không cất giữ dụng cụ và hộp pin ở nơi nhiệt độ có thể lên tới hoặc vượt quá 50°C.
- Không đốt hộp pin ngay cả khi hộp pin đã bị hư hại nặng hoặc hư hỏng hoàn toàn. Hộp pin có thể nổ khi tiếp xúc với lửa.
- Hãy cẩn trọng không làm rơi hoặc làm méo pin.
- Không sử dụng pin đã hỏng.
- Pin nén lithium-ion là đối tượng có yêu cầu bắt buộc theo Luật Hàng hoá Nguy hiểm.

Đối với vận tải thương mại, ví dụ như vận tải do bên thứ ba, đại lý giao nhận, thì yêu cầu đặc biệt về đóng gói và nhãn ghi phải được giám sát.

Để chuẩn bị cho mặt hàng cần vận chuyển, cần phải tham khảo ý kiến chuyên gia về vật liệu nguy hiểm. Nếu được, vui lòng tuân thủ các quy định quốc gia chi tiết hơn.

Buộc hoặc niêm phong các tiếp điểm mở và đóng gói pin theo cách đó để nó không thể di chuyển trong bao bì.

- Khi vứt bỏ hộp pin, hãy đảm bảo chúng khô dụng cụ và thải bỏ ở nơi an toàn. Phải tuân thủ theo các quy định của địa phương liên quan đến việc thải bỏ pin.
- Chỉ sử dụng pin cho các sản phẩm Makita chi định. Lắp pin vào sản phẩm không thích hợp có thể gây ra hỏa hoạn, quá nhiệt, nổ, hoặc rò chất điện phân.
- Nếu dụng cụ không được sử dụng trong một thời gian dài, cần phải tháo pin ra khỏi dụng cụ.

## LƯU GIỮ CÁC HƯỚNG DẪN NÀY.

**⚠ THẬN TRỌNG:** Chỉ sử dụng pin Makita chính hãng. Việc sử dụng pin không chính hãng Makita, hoặc pin đã được sửa đổi, có thể dẫn đến nổ pin gây ra cháy, thương tích và thiệt hại cá nhân. Nó cũng sẽ làm mất hiệu lực bảo hành của Makita dành cho dụng cụ của Makita và bộ sạc.

## Mẹo duy trì tuổi thọ tối đa cho pin

- Sạc hộp pin trước khi pin bị xả điện hoàn toàn. Luôn dừng việc vận hành dụng cụ và sạc pin khi bạn nhận thấy công suất dụng cụ bị giảm.
- Không được phép sạc lại một hộp pin đã được sạc đầy. Sạc quá mức sẽ làm giảm tuổi thọ của pin.
- Sạc pin ở nhiệt độ phòng 10°C - 40°C. Để cho hộp pin nóng nguội lại dần trước khi sạc pin.
- Sạc pin sáu tháng một lần nếu bạn không sử dụng dụng cụ trong một thời gian dài (hơn sáu tháng).

## MÔ TẢ CHỨC NĂNG

**⚠ THẬN TRỌNG:** Luôn đảm bảo rằng đã tắt dụng cụ và tháo hộp pin ra trước khi thực hiện việc điều chỉnh hoặc kiểm tra chức năng trên dụng cụ.

## Lắp hoặc tháo hộp pin

**⚠ THẬN TRỌNG:** Luôn tắt dụng cụ trước khi lắp hoặc tháo hộp pin.

**⚠ THẬN TRỌNG:** Giữ dụng cụ và hộp pin thật chắc khi lắp hoặc tháo hộp pin. Không giữ dụng cụ và hộp pin thật chắc có thể làm trượt chúng khỏi tay và làm hư hỏng dụng cụ và hộp pin hoặc gây thương tích cá nhân.

► **Hình1:** 1. Đèn chỉ báo màu đỏ 2. Nút 3. Hộp pin

Để tháo hộp pin, vừa trượt pin ra khỏi dụng cụ vừa đẩy trượt nút ở phía trước hộp pin.

Để lắp hộp pin, đặt thẳng hàng phần chốt nhô ra của hộp pin vào phần rãnh nằm trên vỏ và trượt hộp pin vào vị trí. Đưa hộp pin vào cho đến khi chốt khóa vào đúng vị trí với một tiếng "cách" nhẹ. Nếu bạn vẫn còn nhìn thấy đèn chỉ báo màu đỏ ở mặt trên của nút, điều đó có nghĩa là chốt vẫn chưa được khóa hoàn toàn.

**⚠ THẬN TRỌNG:** Luôn lắp hộp pin khớp hoàn toàn vào vị trí cho đến khi không thể nhìn thấy đèn chỉ báo màu đỏ. Nếu không, hộp pin có thể vô tình rơi ra khỏi dụng cụ, gây thương tích cho bạn hoặc người khác xung quanh.

**⚠ THẬN TRỌNG:** Không được dùng sức lắp hộp pin. Nếu hộp pin không nhẹ nhàng trượt vào vị trí, có nghĩa là pin vẫn chưa được lắp đúng.

## Chỉ báo dung lượng pin còn lại

### Chỉ dành cho hộp pin có đèn chỉ báo

► **Hình2:** 1. Các đèn chỉ báo 2. Nút Check (kiểm tra)

Ấn nút check (kiểm tra) trên hộp pin để chỉ báo dung lượng pin còn lại. Các đèn chỉ báo bật sáng lên trong vài giây.

Các đèn chỉ báo			Dung lượng còn lại
Bật sáng	Tắt	Nhấp nháy	
			75% đến 100%
			50% đến 75%
			25% đến 50%
			0% đến 25%
			Sạc pin.
			Pin có thể đã bị hỏng.

**LƯU Ý:** Tùy thuộc vào các điều kiện sử dụng và nhiệt độ xung quanh, việc chỉ báo có thể khác biệt một chút so với dung lượng thực sự.

## Chỉ báo dung lượng pin còn lại

### Đặc trưng quốc gia

► **Hình3:** 1. Đèn chỉ báo pin

Khi bạn kéo cần khởi động công tắc, màn hình LED sẽ hiển thị dung lượng pin còn lại. Dung lượng pin còn lại được trình bày trong bảng sau đây.

Trạng thái đèn chỉ báo pin			Dung lượng pin còn lại
Bật	Tắt	Nhấp nháy	
			50% đến 100%
			20% đến 50%
			0% đến 20%
			Sạc pin

**LƯU Ý:** Khi màn hình LED tắt, dụng cụ được tắt để tiết kiệm năng lượng pin. Để kiểm tra dung lượng pin còn lại, hãy kéo nhẹ cần khởi động công tắc.

**LƯU Ý:** Màn hình LED sẽ tắt sau khoảng một phút sau khi nhà cần khởi động.

**LƯU Ý:** Nếu màn hình LED bật sáng và dụng cụ ngừng lại ngay cả khi hộp pin đã được sạc, hãy làm nguội dụng cụ hoàn toàn. Nếu tình trạng không thay đổi, hãy ngừng sử dụng và đưa dụng cụ đi sửa chữa tại một trung tâm dịch vụ của Makita tại địa phương.

## Hệ thống bảo vệ dụng cụ / pin

Dụng cụ này được trang bị hệ thống bảo vệ dụng cụ / pin. Hệ thống này sẽ tự động ngắt nguồn điện đến động cơ để kéo dài tuổi thọ dụng cụ và pin. Dụng cụ sẽ tự động dừng vận hành khi dụng cụ hoặc pin ở một trong những trường hợp sau đây:

### Bảo vệ quá tải

Khi vận hành pin trong điều kiện làm máy tiêu tốn dòng cao bất thường, dụng cụ sẽ tự động dừng lại mà không có bất cứ dấu hiệu nào. Trong trường hợp này, hãy tắt dụng cụ và ngừng ứng dụng làm cho dụng cụ trở nên quá tải. Sau đó bật dụng cụ lên để khởi động lại.

### Bảo vệ quá nhiệt

Khi bị quá nhiệt, dụng cụ sẽ tự động dừng và đèn báo đầu nhấp nháy. Trong tình huống này, hãy để dụng cụ và pin nguội trước khi bật dụng cụ lại.

### Bảo vệ xả điện quá mức

Khi dung lượng pin không đủ, thì dụng cụ sẽ tự động dừng. Trong trường hợp này, hãy tháo pin khỏi dụng cụ và sạc pin lại.

## Móc treo

**⚠ THẬN TRỌNG:** Không bao giờ treo dụng cụ ở vị trí cao hoặc nơi có khả năng không thẳng bằng.

Móc treo rất tiện lợi khi dùng treo tạm dụng cụ.

Để sử dụng móc treo, chỉ cần nâng móc treo cho đến khi nó trượt "tách" vào vị trí mở.

Khi không sử dụng, luôn hạ móc treo xuống cho đến khi nó trượt "tách" vào vị trí đóng.

Vị trí mở

► **Hình4:** 1. Móc treo

Vị trí đóng

► **Hình5:** 1. Móc treo

## Hoạt động công tắc

**⚠ CẢNH BÁO:** Trước khi lắp hộp pin vào dụng cụ, luôn luôn kiểm tra xem cần khởi động công tắc có hoạt động bình thường hay không và trả về vị trí "OFF" (TẮT) khi nhả ra.

**⚠ CẢNH BÁO:** KHÔNG ĐƯỢC PHÉP làm hỏng nút nhà khóa bằng cách buộc xuống hoặc một số cách khác. Một nút nhà khóa không hiệu quả có thể dẫn đến vận hành vô tình và thương tích cá nhân nghiêm trọng.

**⚠ CẢNH BÁO:** KHÔNG ĐƯỢC PHÉP sử dụng dụng cụ này nếu nó chạy khi bạn chỉ kéo cần khởi động công tắc mà không nhấn nút nhà khóa. Một công tắc cần sửa có thể dẫn đến vận hành vô tình và thương tích cá nhân nghiêm trọng. Hãy trả dụng cụ lại cho một trung tâm dịch vụ Makita để sửa chữa phù hợp TRƯỚC KHI sử dụng tiếp sau này.



Để ngăn cản khởi động công tắc vô tình bị kéo, dụng cụ được trang bị nút nhả khóa. Để khởi động dụng cụ, nhả nút nhả khóa và kéo cần khởi động công tắc.

Tốc độ dụng cụ được tăng lên bằng cách tăng áp lực lên cần khởi động công tắc. Nhả cần khởi động công tắc ra để dừng.

► **Hình6:** 1. Nút nhả khóa 2. Cần khởi động công tắc

## Đĩa điều chỉnh tốc độ

► **Hình7:** 1. Đĩa điều chỉnh tốc độ

Tốc độ dụng cụ có thể được điều chỉnh không giới hạn từ 1,3 m/s đến 3,2 m/s bằng cách xoay đĩa điều chỉnh. Có thể đạt tốc độ cao hơn khi xoay đĩa này về hướng số 6; đưa về tốc độ thấp hơn khi xoay đĩa về hướng số 1. Chọn tốc độ phù hợp cho vật gia công sẽ được cắt.

**CHÚ Ý:** Khi chuyển đĩa xoay tốc độ từ “6” sang “1”, xoay đĩa ngược chiều kim đồng hồ. Không được dùng sức xoay đĩa theo chiều kim đồng hồ.

**CHÚ Ý:** Vật liệu nhựa có thể bị chảy khi cắt ở tốc độ cao.

## Bật sáng đèn phía trước

**⚠ THẬN TRỌNG:** Đừng nhìn thẳng trực tiếp vào đèn hoặc nguồn sáng.

Kéo cần khởi động công tắc để bật sáng đèn. Đèn sẽ vẫn sáng trong lúc cần khởi động công tắc đang được kéo. Đèn sẽ tắt khoảng 10 giây sau khi nhả cần khởi động công tắc.

► **Hình8:** 1. Đèn

**LƯU Ý:** Không tác động lên đèn vì có thể làm hư hỏng hoặc giảm tuổi thọ đèn.

**LƯU Ý:** Dùng vải khô để lau bụi bẩn trên kính đèn. Cần thận không được làm xước kính đèn, nếu không đèn có thể bị giảm độ sáng.

**LƯU Ý:** Khi dụng cụ bị quá nhiệt, đèn sẽ nhấp nháy trong vòng một phút rồi tắt. Trong trường hợp này, hãy để nguội dụng cụ trước khi vận hành lại.

## LẮP RÁP

**⚠ THẬN TRỌNG:** Luôn đảm bảo rằng đã tắt dụng cụ và tháo hộp pin ra trước khi thực hiện bất cứ thao tác nào trên dụng cụ.

## Lắp hoặc tháo lưới cửa vòng

**⚠ THẬN TRỌNG:** Dầu trên lưới cửa vòng có thể khiến lưới cửa trượt ra hoặc rơi xuống bất ngờ. Lau sạch phần dầu thừa bằng vải trước khi lắp đặt lưới cửa vòng.

**⚠ THẬN TRỌNG:** Luôn mang găng tay bảo hộ khi xử lý lưới cửa vòng.

**⚠ THẬN TRỌNG:** Sử dụng cẩn trọng khi xử lý lưới cửa vòng để tránh bị cắt trúng bởi các cạnh mép sắc nhọn trên răng lưới cửa.

**⚠ THẬN TRỌNG:** Giữ cơ thể của bạn cách xa lưới cửa vòng khi kiểm tra chuyển động của lưới cửa.

**⚠ THẬN TRỌNG:** Khi xoay cần kẹp lưới cửa theo chiều kim đồng hồ để giải phóng lực căng trên lưới cửa vòng, hãy hướng dụng cụ xuống vì lưới cửa vòng có thể rơi ra bất ngờ.

Để lắp đặt lưới cửa vòng:

1. Xoay cần kẹp lưới cửa theo chiều kim đồng hồ đến khi kẹp lưới cửa ngừng lại để nới lỏng đĩa mài.  
► **Hình9:** 1. Vặn chặt 2. Nới lỏng 3. Cần kẹp lưới cửa

2. Mờ nắp đẩy đĩa.

► **Hình10:** 1. Nắp đẩy đĩa 2. Móc treo

**CHÚ Ý:** Khi mờ nắp đẩy đĩa, cần mờ và tháo cả hai móc treo cùng một lúc. Chỉ mờ một móc treo có thể làm nứt nắp đẩy đĩa.

3. Căn hướng của các mũi tên trên lưới cửa vòng và trên các đĩa mài.

4. Lắp phía không có răng cửa của lưới cửa vòng vào giá đỡ trên và giá đỡ dưới. Hãy đảm bảo rằng lưới cửa vòng ở giá đỡ trên và giá đỡ dưới chạm vào bạc đạn dưới cùng.

► **Hình11:** 1. Giá đỡ trên 2. Giá đỡ dưới 3. Bạc đạn dưới cùng

5. Khi nhấn vào phần giữa của lưới cửa vòng, đặt lưới dao vòng quanh một đĩa mài. Di chuyển đĩa mài về phía A sẽ giúp thao tác dễ dàng hơn.

► **Hình12:** 1. Đĩa mài 2. Lốp cao su

6. Đặt lưới cửa vòng lên đĩa mài còn lại tương tự.

7. Đặt phần mép của lưới cửa vòng lên lốp cao su.

8. Giữ lưới cửa vòng đúng vị trí và xoay cần kẹp lưới cửa theo chiều kim đồng hồ cho đến khi cần kẹp lưới cửa dừng lại. Vị trí này sẽ tạo ra lực căng phù hợp cho lưới cửa vòng.

9. Đóng nắp đẩy đĩa.

**CHÚ Ý:** Hãy đảm bảo rằng lưỡi cưa vòng được đặt đúng vị trí quanh các đĩa mài.

**CHÚ Ý:** Khởi động và dừng dụng cụ hai hoặc ba lần để đảm bảo rằng lưỡi cưa vòng hoạt động đúng cách trên các đĩa mài.

Đề tháo lưỡi cưa vòng, thực hiện ngược lại quy trình lắp.

## Điều chỉnh đường di chuyển của lưỡi cưa

Khi lưỡi cưa vòng có khả năng trượt ra khỏi đĩa mài, hãy điều chỉnh lại đường di chuyển của lưỡi cưa. Để điều chỉnh, lắp cờ lê lục giác vào lỗ điều chỉnh như hình minh họa và xoay một phần tư theo chiều kim đồng hồ. Sau đó, kiểm tra xem lưỡi cưa vòng có bị trượt ra không.

Nếu lưỡi cưa vòng vẫn bị trượt ra, xoay thêm một phần tư theo chiều kim đồng hồ và kiểm tra đến khi lưỡi cưa vòng không còn trượt ra.

► **Hình13:** 1. Cờ lê lục giác 2. Lỗ điều chỉnh

## Điều chỉnh vị trí tấm chắn

Trong quá trình vận hành bình thường, đặt tấm chắn nhỏ về phía A hoàn toàn.

Khi tấm chắn va phải các chướng ngại vật như tường hay những thứ tương tự khi đã cắt xong, nói lòng hai bu-lông và trượt nó về phía B như hình minh họa. Sau khi đã đẩy tấm chắn, giữ chặt nó bằng cách vặn chặt hai bu-lông.

► **Hình14:** 1. Tấm chắn 2. Bu-lông 3. Lưỡi cưa vòng

## Lắp đặt tay cầm hông (tay cầm)

### Phụ kiện tùy chọn

Vặn tay cầm hông thật chặt vào vị trí của dụng cụ như thể hiện trên hình vẽ.

► **Hình15**

## VẬN HÀNH

**⚠THẬN TRỌNG:** Luôn luôn lắp hộp pin vào hết mức cho đến khi nó khóa đúng vào vị trí. Nếu bạn vẫn còn nhìn thấy đèn chỉ báo màu đỏ ở mặt trên của nút, điều đó có nghĩa là chốt vẫn chưa được khóa hoàn toàn. Lắp chốt hoàn toàn vào vị trí cho đến khi không thể nhìn thấy đèn chỉ báo màu đỏ. Nếu không, hộp pin có thể vô tình rơi ra khỏi dụng cụ, gây thương tích cho bạn hoặc người khác xung quanh.

**⚠THẬN TRỌNG:** Luôn giữ tay cầm. Không cầm ở phần thân hay phần bảo vệ dụng cụ. Tay có thể trượt ra khỏi những vị trí này và va trúng lưỡi cưa vòng. Điều này có thể gây ra thương tích cá nhân.

**⚠THẬN TRỌNG:** Đảm bảo rằng nắp đậy đĩa được đóng chắc chắn.

**⚠THẬN TRỌNG:** Hãy đảm bảo cầm chắc dụng cụ khi mở hoặc tắt dụng cụ hay trong quá trình cắt. Nếu không dụng cụ có thể rơi xuống và gây ra thương tích.

**⚠THẬN TRỌNG:** Luôn đeo găng tay để bảo vệ tay bạn khỏi các phoi nóng bắn ra khi cắt kim loại.

**⚠THẬN TRỌNG:** Giữ cơ thể và mặt của bạn cách xa khỏi lưỡi cưa vòng và mặt vụn bắn ra.

Để vết cắt ổn định, luôn giữ ít nhất hai răng lưỡi cưa khi cắt.

► **Hình16**

Đặt lưỡi cưa vòng ở vị trí cắt phù hợp trên phôi gia công như hình minh họa.

► **Hình17**

1. Cầm dụng cụ như minh họa.

Trước khi bật dụng cụ, luôn bảo đảm rằng tấm chắn tiếp xúc với phôi gia công và lưỡi cưa vòng đã được dọn sạch phôi gia công.

► **Hình18**

2. Bật dụng cụ lên và chờ đến khi lưỡi cưa vòng đạt tốc độ tối đa. Nhẹ nhàng hạ thấp lưỡi cưa xuống vết cắt. Khối lượng của dụng cụ hoặc thao tác nhấn dụng cụ xuống nhẹ sẽ giúp tạo ra lực thích hợp cho việc cắt. Không dùng lực đối với dụng cụ máy.

► **Hình19**

3. Khi cắt đến phần cuối, giảm bớt lực và nhẹ nhàng nâng dụng cụ lên để dụng cụ không rơi xuống phôi gia công.

**CHÚ Ý:** Dùng lực quá nhiều lên dụng cụ hoặc xoắn lưỡi cưa vòng có thể làm vết cắt bị xéo hoặc làm hỏng lưỡi cưa.

**CHÚ Ý:** Khi không sử dụng dụng cụ trong một khoảng thời gian dài, tháo lưỡi cưa vòng khỏi dụng cụ.

**CHÚ Ý:** Nếu dụng cụ được vận hành liên tục cho đến khi hộp pin đã bị xả kiệt, hãy để dụng cụ nghỉ 15 phút trước khi thực hiện tiếp bằng pin mới.

## Dầu nhờn

### Phụ kiện tùy chọn

**⚠ THẬN TRỌNG:** Không sử dụng dầu làm nguội hay lượng sấp quá mức cần thiết cho lưỡi cưa vòng. Điều này có thể làm lưỡi cưa bị trượt hoặc rơi ra bất ngờ.

**⚠ THẬN TRỌNG:** Khi cắt gang đúc, không được sử dụng bất kỳ loại sấp cắt nào.

Khi cắt kim loại, sử dụng sấp cắt của Makita như một loại dầu nhờn. Để thoa sấp cắt lên răng lưỡi cưa vòng, tháo nắp sấp cắt, khởi động dụng cụ và cắt vào sấp cắt như hình minh họa.

► Hình 20: 1. Sấp cắt

## BẢO TRÌ

**⚠ THẬN TRỌNG:** Hãy luôn chắc chắn rằng dụng cụ đã được tắt và hộp pin đã được tháo ra trước khi cố gắng thực hiện việc kiểm tra hay bảo dưỡng.

**CHÚ Ý:** Không được phép dùng xăng, ết xăng, dung môi, cồn hoặc hóa chất tương tự. Có thể xảy ra hiện tượng mất màu, biến dạng hoặc nứt vỡ.

Để đảm bảo ĐỘ AN TOÀN và ĐỘ TIN CẬY của sản phẩm, việc sửa chữa hoặc bất cứ thao tác bảo trì, điều chỉnh nào đều phải được thực hiện bởi các Trung tâm Dịch vụ Nhà máy hoặc Trung tâm được Makita Ủy quyền và luôn sử dụng các phụ tùng thiết bị thay thế của Makita.

## Vệ sinh

**⚠ THẬN TRỌNG:** Sấp và các hạt vụn trên lớp cao su của đĩa mài có thể làm lưỡi cưa vòng trượt và rơi ra bất ngờ. Dùng vải khô để lau sạch sấp và các hạt vụn khỏi lớp cao su.

Sau khi sử dụng, lau sạch sấp, các hạt vụn và bụi bẩn khỏi dụng cụ, lớp cao su trên đĩa mài và lưỡi cưa vòng.

## Thay thế lớp cao su trên các bánh nhám

Thay thế lớp cao su khi lưỡi cưa vòng bị trượt ra hoặc không còn di chuyển đúng đường đi do các lớp đã quá mòn.

Để thay thế lớp cao su, hãy nhờ đến Trung tâm Dịch vụ Nhà máy hoặc Trung tâm được Makita Ủy quyền.

## PHỤ KIỆN TÙY CHỌN

**⚠ THẬN TRỌNG:** Các phụ kiện hoặc phụ tùng gắn thêm này được khuyến cáo sử dụng với dụng cụ Makita của bạn theo như quy định trong hướng dẫn này. Việc sử dụng bất cứ phụ kiện hoặc phụ tùng gắn thêm nào khác đều có thể gây ra rủi ro thương tích cho người. Chỉ sử dụng phụ kiện hoặc phụ tùng gắn thêm cho mục đích đã quy định sẵn của chúng.

Nếu bạn cần bất kỳ sự hỗ trợ nào để biết thêm chi tiết về các phụ tùng này, hãy hỏi Trung tâm Dịch vụ của Makita tại địa phương của bạn.

- Pin và bộ sạc chính hãng của Makita
- Các lưỡi cưa vòng
- Sấp cắt
- Tay cầm 36

**LƯU Ý:** Một số mục trong danh sách có thể được bao gồm trong gói dụng cụ làm phụ kiện tiêu chuẩn. Các mục này ở mỗi quốc gia có thể khác nhau.

## ข้อมูลจำเพาะ

รุ่น:	DPB183	
ความสามารถในการตัดสูงสุด	ชั้นงานทรงกลม	เส้นผ่านศูนย์กลาง 66 mm
	ชั้นงานทรงสี่เหลี่ยมผืนผ้า	66 mm x 66 mm
ความเร็วใบเลื่อย	0 - 3.2 m/s (0 - 190 m/min)	
ขนาดใบเลื่อย	ความยาว	835 mm
	ความกว้าง	13 mm
	ความหนา	0.5 mm
ขนาด (ยาว x กว้าง x สูง) ไม่รวมฝาครอบวงล้อ	392 mm x 174 mm x 242 mm	
แรงดันไฟฟ้าสูงสุด	D.C. 18 V	
น้ำหนักสุทธิโดยไม่รวมฝาครอบวงล้อ	3.6 - 3.9 kg	

- เนื่องจากการค้นคว้าวิจัยและพัฒนาอย่างต่อเนื่อง ข้อมูลจำเพาะในเอกสารฉบับนี้อาจเปลี่ยนแปลงได้โดยไม่ต้องแจ้งให้ทราบล่วงหน้า
- ข้อมูลจำเพาะอาจแตกต่างกันไปในแต่ละประเทศ
- น้ำหนักอาจแตกต่างกันไปตามอุปกรณ์เสริม รวมถึงตลับแบตเตอรี่ การติดอุปกรณ์เสริมที่เบาที่สุดและหนักที่สุดตามข้อบังคับของ EPTA 01/2014 มีแสดงอยู่ในตาราง

### ตลับแบตเตอรี่และเครื่องชาร์จที่ใช้ได้

ตลับแบตเตอรี่	BL1815N / BL1820 / BL1820B / BL1830 / BL1830B / BL1840 / BL1840B / BL1850 / BL1850B / BL1860B
เครื่องชาร์จ	DC18RC / DC18RD / DC18RE / DC18SD / DC18SE / DC18SF / DC18SH

- ตลับแบตเตอรี่และเครื่องชาร์จบางรายการที่แสดงอยู่ด้านบนอาจไม่มีวางจำหน่ายขึ้นอยู่กับภูมิภาคที่คุณอาศัยอยู่

**คำเตือน:** ใช้ตลับแบตเตอรี่และเครื่องชาร์จที่ระบุไว้ข้างบนเท่านั้น การใช้ตลับแบตเตอรี่และเครื่องชาร์จประเภทอื่นอาจก่อให้เกิดความเสี่ยงที่จะได้รับบาดเจ็บและ/หรือเกิดไฟไหม้

### สัญลักษณ์

ต่อไปนี้เป็นสัญลักษณ์ที่อาจใช้สำหรับอุปกรณ์ โปรดศึกษาความหมายของสัญลักษณ์ให้เข้าใจก่อนการใช้งาน

	อ่านคู่มือการใช้งาน
	สวมแว่นตานิรภัย



สำหรับประเทศในสหภาพยุโรปเท่านั้น ห้ามทิ้งอุปกรณ์ไฟฟ้าหรือชุดแบตเตอรี่รวมกับขยะครัวเรือนทั่วไป เพื่อให้เป็นไปตามกฎระเบียบของยุโรปเกี่ยวกับขยะจำพวกอุปกรณ์ไฟฟ้าและอิเล็กทรอนิกส์ และขยะจำพวกแบตเตอรี่และหม้อสะสมไฟฟ้า และการปฏิบัติตามกฎหมายในประเทศ ต้องเก็บอุปกรณ์ไฟฟ้าและแบตเตอรี่และชุดแบตเตอรี่ที่หมดอายุการใช้งานแล้วแยกต่างหาก และส่งกลับไปยังศูนย์รีไซเคิลที่เป็นมิตรต่อสิ่งแวดล้อม

## จุดประสงค์การใช้งาน

เครื่องมือนี้ใช้สำหรับตัดพลาสติกและวัสดุที่ประกอบด้วยโลหะ

## คำเตือนด้านความปลอดภัย

### คำเตือนด้านความปลอดภัยของเครื่องมือไฟฟ้าทั่วไป

**คำเตือน:** โปรดอ่านคำเตือนด้านความปลอดภัย คำแนะนำ ภาพประกอบ และข้อมูลจำเพาะต่างๆ ที่หามา กับเครื่องมือไฟฟ้านี้อย่างละเอียด การไม่ปฏิบัติตามคำแนะนำดังต่อไปนี้ อาจส่งผลให้เกิดไฟฟ้าช็อต ไฟไหม้ และ/หรือได้รับบาดเจ็บอย่างร้ายแรงได้

### เก็บรักษาคำเตือนและคำแนะนำทั้งหมดไว้

#### เป็นข้อมูลอ้างอิงในอนาคต

คำว่า “เครื่องมือไฟฟ้า” ในคำเตือนนี้หมายถึงเครื่องมือไฟฟ้า (มีสาย) ที่ทำงานโดยใช้กระแสไฟฟ้าหรือเครื่องมือไฟฟ้า (ไร้สาย) ที่ทำงานโดยใช้แบตเตอรี่

#### ความปลอดภัยของพื้นที่ทำงาน

1. ดูแลพื้นที่ทำงานให้มีความสะอาดและมีแสงไฟสว่าง พื้นที่รกกระเจะระกะหรือมืดทึบอาจนำไปสู่การเกิดอุบัติเหตุได้
2. อย่าใช้งานเครื่องมือไฟฟ้าในสภาพที่อาจเกิดการระเบิด เช่น ในสถานที่ที่มีของเหลว ก๊าซ หรือฝุ่นที่มีคุณสมบัติไวไฟ เครื่องมือไฟฟ้าอาจสร้างประกายไฟและจุดชนวนฝุ่นผงหรือก๊าซดังกล่าว
3. ดูแลไม่ให้มีเด็ก หรือบุคคลอื่นอยู่ในบริเวณที่กำลังใช้เครื่องมือไฟฟ้า การมีสิ่งรบกวนสมาธิอาจทำให้คุณสูญเสียการควบคุม

#### ความปลอดภัยด้านไฟฟ้า

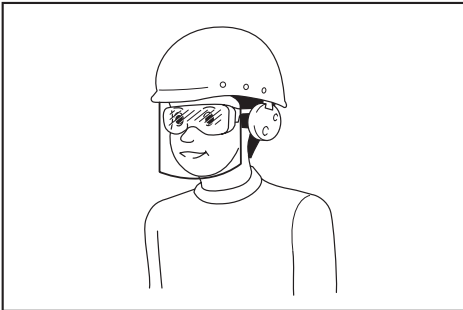
1. ปลั๊กของเครื่องมือไฟฟ้าต้องพอดีกับเต้ารับ อย่าดัดแปลงปลั๊กไม่ว่ากรณีใดๆ อย่าใช้ปลั๊กอะแดปเตอร์กับเครื่องมือไฟฟ้าที่ต่อสายดิน ปลั๊กที่ไม่ถูกดัดแปลงและเต้ารับที่เข้ากันพอดีจะช่วยลดความเสี่ยงของการเกิดไฟฟ้าช็อต
2. ระวังอย่าให้ร่างกายสัมผัสกับพื้นผิวที่ต่อสายดิน เช่น ท่อ เครื่องนำความร้อน เตาหุงต้ม และตู้เย็น มีความเสี่ยงที่จะเกิดไฟฟ้าช็อตสูงขึ้น หากร่างกายของคุณสัมผัสกับพื้น

3. อย่าให้เครื่องมือไฟฟ้าถูกน้ำหรืออยู่ในสภาพเปียกชื้น น้ำที่ไหลเข้าไปในเครื่องมือไฟฟ้าจะเพิ่มความเสี่ยงของการเกิดไฟฟ้าช็อต
4. อย่าใช้สายไฟอย่างไม่เหมาะสม อย่าใช้สายไฟเพื่อยก ดึง หรือถอดปลั๊กเครื่องมือไฟฟ้า เก็บสายไฟให้ห่างจากความร้อน น้ำมัน ของมีคม หรือชิ้นส่วนที่เคลื่อนที่ สายที่ชำรุดหรือพันกันจะเพิ่มความเสี่ยงของการเกิดไฟฟ้าช็อต
5. ขณะที่ใช้งานเครื่องมือไฟฟ้านอกอาคาร ควรใช้สายต่อพ่วงที่เหมาะสมกับงานภายนอกอาคาร การใช้งานที่เหมาะสมกับงานภายนอกอาคารจะลดความเสี่ยงของการเกิดไฟฟ้าช็อต
6. หากต้องใช้งานเครื่องมือไฟฟ้าในสถานที่เปียกชื้น ให้ใช้อุปกรณ์ป้องกันกระแสไฟรั่ว (RCD) การใช้ RCD จะลดความเสี่ยงของการเกิดไฟฟ้าช็อต
7. เครื่องมือไฟฟ้าอาจสร้างสนามแม่เหล็ก (EMF) ที่ไม่เป็นอันตรายต่อผู้ใช้ อย่างไรก็ตาม ผู้ใช้ที่ใส่เครื่องกระตุ้นหัวใจและอุปกรณ์ทางการแพทย์ที่คล้ายกันนี้ ควรติดต่อผู้ผลิตอุปกรณ์และ/หรือแพทย์เพื่อรับคำแนะนำก่อนใช้งานเครื่องมือไฟฟ้านี้

#### ความปลอดภัยส่วนบุคคล

1. ให้ระมัดระวังและเมตตาอยู่เสมอขณะใช้งานเครื่องมือไฟฟ้า อย่าใช้งานเครื่องมือไฟฟ้าในขณะที่คุณกำลังเหนื่อย หรือในสภาพที่มึนเมาจากยาเสพติด เครื่องดื่ม แอลกอฮอล์ หรือการไช้ยา ช่วงเวลาที่ขาดความระมัดระวังเมื่อกำลังใช้งานเครื่องมือไฟฟ้าอาจทำให้ได้รับบาดเจ็บร้ายแรง
2. ใช้อุปกรณ์ป้องกันส่วนบุคคล สวมแว่นตาป้องกันเสมอ อุปกรณ์ป้องกัน เช่น หน้ากากกันฝุ่น รองเท้านิรภัย กันลื่น หมวกนิรภัย หรือเครื่องป้องกันการได้ยินที่ใช้ในสภาพที่เหมาะสมจะช่วยลดการบาดเจ็บ
3. ป้องกันไม่ให้เกิดการเปิดใช้งานโดยไม่ตั้งใจ ตรวจสอบให้แน่ใจว่าสวิตช์ปิดอยู่ก่อนที่จะเชื่อมต่อกับแหล่งจ่ายไฟ และ/หรือชุดแบตเตอรี่ รวมทั้งตรวจสอบก่อนการยกหรือเคลื่อนย้ายเครื่องมือ การสอดนิ้วมือบริเวณสวิตช์เพื่อถือเครื่องมือไฟฟ้า หรือการชาร์จไฟเครื่องมือไฟฟ้าในขณะที่เปิดสวิตช์อยู่อาจนำไปสู่การเกิดอุบัติเหตุ
4. นักกฎหมายปรับตั้งหรือประแจออกก่อนที่จะเปิดเครื่องมือไฟฟ้า ประแจหรือกุญแจที่เสียบค้างอยู่ในชิ้นส่วนที่หมุนได้ของเครื่องมือไฟฟ้าอาจทำให้ได้รับบาดเจ็บ
5. อย่าทำงานในระยะที่ดูเอื้อม จัดท่ากรายืนและการทรงตัวให้เหมาะสมตลอดเวลา เพราะจะทำให้ควบคุมเครื่องมือไฟฟ้าได้ดีขึ้นในสถานการณ์ที่ไม่คาดคิด

6. แต่งกายให้เหมาะสม อย่าสวมเครื่องแต่งกายที่หลวมเกินไป หรือสวมเครื่องประดับ ดูแลไม่ให้เส้นผมและเสื้อผ้าอยู่ใกล้ชิ้นส่วนที่เคลื่อนที่ เสื้อผ้ารุ่มร่าม เครื่องประดับ หรือผมที่มีความยาวอาจเข้าไปติดในชิ้นส่วนที่เคลื่อนที่
7. หากมีการจัดอุปกรณ์สำหรับดูดและจัดเก็บฝุ่นไว้ในสถานที่ ให้ตรวจสอบว่าได้เชื่อมต่อและใช้งานอุปกรณ์นั้นอย่างเหมาะสม การใช้เครื่องดูดและจัดเก็บฝุ่นจะช่วยลดอันตรายที่เกิดจากฝุ่นผงได้
8. อย่าให้ความดันเคยจากการใช้งานเครื่องมือเป็นประจำทำให้คุณทำตัวตามสบายและละเลยหลักการเพื่อความปลอดภัยในการใช้เครื่องมือ การกระทำที่ไม่ระมัดระวังอาจทำให้เกิดการบาดเจ็บร้ายแรงภายในเสี้ยววินาที
9. สวมใส่แว่นครอบตาที่รับภัยเพื่อปกป้องดวงตาของคุณจากการบาดเจ็บเมื่อใช้เครื่องมือไฟฟ้า แว่นครอบตาจะต้องได้มาตรฐาน ANSI Z87.1 ในสหรัฐอเมริกา, EN 166 ในยุโรป หรือ AS/NZS 1336 ในออสเตรเลีย/นิวซีแลนด์ ในออสเตรเลีย/นิวซีแลนด์ จะต้องสวมเกราะป้องกันใบหน้าเพื่อปกป้องใบหน้าของคุณอย่างถูกต้องตามกฎหมายด้วย



ผู้ว่าจ้างมีหน้าที่รับผิดชอบในการบังคับผู้ใช้งานเครื่องมือและบุคคลอื่นๆ ที่อยู่ในบริเวณที่ปฏิบัติงานให้ใช้อุปกรณ์ป้องกันที่เหมาะสม

#### การใช้และดูแลเครื่องมือไฟฟ้า

1. อย่าฝืนใช้เครื่องมือไฟฟ้า ใช้เครื่องมือไฟฟ้าที่เหมาะสมกับการใช้งานของคุณ เครื่องมือไฟฟ้าที่เหมาะสมจะทำให้ได้งานที่มีประสิทธิภาพและปลอดภัยกว่าตามขีดความสามารถของเครื่องที่ได้รับการออกแบบมา
2. อย่าใช้เครื่องมือไฟฟ้า หากสวิตช์ไม่สามารถเปิดปิดได้ เครื่องมือไฟฟ้าที่ควบคุมด้วยสวิตช์ไม่ได้เป็นสิ่งอันตรายและต้องได้รับการซ่อมแซม

3. ถอดปลั๊กจากแหล่งจ่ายไฟ และ/หรือชุดแบตเตอรี่ออกจากเครื่องมือไฟฟ้าก่อนทำการปรับตั้ง เปลี่ยนอุปกรณ์เสริม หรือจัดเก็บเครื่องมือไฟฟ้า วิธีการป้องกันด้านความปลอดภัยดังกล่าวจะช่วยลดความเสี่ยงในการเปิดใช้งานเครื่องมือไฟฟ้าโดยไม่ตั้งใจ
4. จัดเก็บเครื่องมือไฟฟ้าที่ไม่ได้ใช้งานให้ห่างจากมือเด็ก และอย่าอนุญาตให้บุคคลที่ไม่คุ้นเคยกับเครื่องมือไฟฟ้าหรือคำแนะนำเหล่านี้ใช้งานเครื่องมือไฟฟ้า เครื่องมือไฟฟ้าจะเป็นอันตรายเมื่ออยู่ในมือของผู้ที่ไม่ได้รับการฝึกอบรม
5. บำรุงรักษาเครื่องมือไฟฟ้าและอุปกรณ์เสริม ตรวจสอบการประกอบที่ไม่ถูกต้องหรือการเชื่อมต่อของชิ้นส่วนที่เคลื่อนที่ การแตกหักของชิ้นส่วน หรือสภาพอื่นๆ ที่อาจส่งผลกระทบต่อการทำงานของเครื่องมือไฟฟ้า หากมีความเสียหาย ให้นำเครื่องมือไฟฟ้าไปซ่อมแซมก่อนการใช้งาน อุบัติเหตุจำนวนมากเกิดจากการดูแลรักษาเครื่องมือไฟฟ้าอย่างไม่ถูกต้อง
6. ทำความสะอาดเครื่องมือตัดและลับให้คมอยู่เสมอ เครื่องมือการตัดที่มีการดูแลอย่างถูกต้องและมีขอบการตัดคมมักจะมีปัญหาติดขัดน้อยและควบคุมได้ง่ายกว่า
7. ใช้เครื่องมือไฟฟ้า อุปกรณ์เสริม และวัสดุสิ้นเปลือง ฯลฯ ตามคำแนะนำดังกล่าว พิจารณาสภาพการทำงานและงานที่จะลงมือทำ การใช้เครื่องมือไฟฟ้าเพื่อทำงานอื่นนอกเหนือจากที่กำหนดไว้อาจทำให้เกิดอันตราย
8. ดูแลมือจับและบริเวณมือจับให้แห้ง สะอาด และไม่มีน้ำมันและจาระบีเปื้อน มือจับและบริเวณมือจับที่ลื่นจะทำให้ไม่สามารถจับและควบคุมเครื่องมือได้อย่างปลอดภัยในสถานการณ์ที่ไม่คาดคิด
9. ขณะใช้งานเครื่องมือ อย่าสวมใส่ถุงมือผ้าที่อาจเข้าไปติดในเครื่องมือได้ หากถุงมือผ้าเข้าไปติดในชิ้นส่วนที่กำลังเคลื่อนที่ที่อยู่อาจทำให้ได้รับบาดเจ็บ

#### การใช้งานและดูแลเครื่องมือที่ใช้แบตเตอรี่

1. ชาร์จไฟใหม่ด้วยเครื่องชาร์จที่ระบุโดยผู้ผลิตเท่านั้น เครื่องชาร์จที่เหมาะสมสำหรับชุดแบตเตอรี่ประเภทหนึ่งอาจเสี่ยงที่จะเกิดไฟไหม้หากนำไปใช้กับชุดแบตเตอรี่อีกประเภทหนึ่ง
2. ใช้เครื่องมือไฟฟ้ากับชุดแบตเตอรี่ที่กำหนดมาโดยเฉพาะเท่านั้น การใช้ชุดแบตเตอรี่ประเภทอื่นอาจทำให้เสี่ยงที่จะได้รับบาดเจ็บและเกิดไฟไหม้

- เมื่อไม่ใช้งานชุดแบตเตอรี่ ให้เก็บห่างจากวัตถุที่เป็นโลหะอื่นๆ เช่น คลิปหนีบกระดาษ เหรียญ กุญแจ กรรไกรตัดเล็บ สกรู หรือวัตถุที่เป็นโลหะขนาดเล็กอื่นๆ ที่สามารถเชื่อมต่อชั่วคราวกับอีกขั้วหนึ่งได้ การลัดวงจรขั้วแบตเตอรี่อาจทำให้ร้อนจัดหรือเกิดไฟไหม้
- ในกรณีที่ใช้งานไม่ถูกต้อง อาจมีของเหลวไหลออกจากแบตเตอรี่ ให้หลีกเลี่ยงการสัมผัส หากสัมผัสโดนของเหลวโดยไม่ได้ตั้งใจ ให้ล้างออกด้วยน้ำ หากของเหลวกระเด็นเข้าตา ให้รีบไปพบแพทย์ ของเหลวที่ไหลออกจากแบตเตอรี่อาจทำให้ผิวหนังระคายเคืองหรือไหม้
- ห้ามใช้ชุดแบตเตอรี่หรือเครื่องมือที่ชำรุดหรือมีการแก้ไข แบตเตอรี่ที่เสียหายหรือมีการแก้ไขอาจทำให้เกิดสิ่งที่ไม่ถึงใจ เช่น ไฟไหม้ ระเบิด หรือเสี่ยงต่อการบาดเจ็บ
- ห้ามใช้ชุดแบตเตอรี่อยู่ใกล้ไฟ หรือบริเวณที่มีอุณหภูมิสูงเกิน หากโดนไฟ หรืออุณหภูมิสูงเกิน 130 °C อาจก่อให้เกิดการระเบิดได้
- กรุณาปฏิบัติตามคำแนะนำสำหรับการชาร์จไฟ และห้ามชาร์จแบตเตอรี่หรือเครื่องมือในบริเวณที่มีอุณหภูมินอกเหนือไปจากที่ระบุในคำแนะนำ การชาร์จไฟที่ไม่เหมาะสม หรืออุณหภูมินอกเหนือไปจากช่วงอุณหภูมิที่ระบุในคำแนะนำอาจทำให้แบตเตอรี่เสียหายและเป็นการเพิ่มความเสี่ยงในการเกิดไฟไหม้

#### การซ่อมบำรุง

- นำเครื่องมือไฟฟ้าเข้ารับบริการจากช่างซ่อมที่ผ่านการรับรองโดยใช้อะไหล่แบบเดียวกันเท่านั้น เพราะจะทำให้การใช้เครื่องมือไฟฟ้ามีความปลอดภัย
- ห้ามใช้ชุดแบตเตอรี่ที่เสียหาย ชุดแบตเตอรี่ที่ใช้ควรเป็นชุดที่มาจากผู้ผลิต หรือผู้ให้บริการที่ได้รับอนุญาตเท่านั้น
- ปฏิบัติตามคำแนะนำในการเคลื่อนย้ายและการเปลี่ยนอุปกรณ์เสริม

#### คำแนะนำด้านความปลอดภัยของเลื่อยสายพานไร้สายแบบพกพา

- จับเครื่องมือไฟฟ้าที่พื้นผิวมือจับที่มีฉนวนหุ้มเมื่อใช้งานในที่ที่อุปกรณ์เสริมสำหรับตัดอาจสัมผัสกับสายไฟที่ซ่อนอยู่ อุปกรณ์เสริมสำหรับตัดที่สัมผัสกับสายไฟที่มีกระแสไฟฟ้าไหลผ่าน อาจทำให้ส่วนที่เป็นโลหะของเครื่องมือไฟฟ้า "มีกระแสไฟฟ้าไหลผ่าน" และอาจทำให้ผู้ปฏิบัติงานถูกไฟช็อตได้
- ใช้เฉพาะใบเลื่อยที่ระบุไว้ใน "ข้อมูลจำเพาะ" เท่านั้น

- ตรวจสอบใบเลื่อยอย่างละเอียดว่ามีรอยร้าวหรือความเสียหายหรือไม่ก่อนการใช้งาน เปลี่ยนใบเลื่อยที่ร้าวหรือเสียหายทันที
- ยึดชิ้นงานให้แน่น เมื่อทำการตัดชิ้นงานจำนวนมาก โปรดตรวจสอบให้แน่ใจว่าชิ้นงานทั้งหมดถูกยึดไว้ด้วยกันจนแน่นดีแล้วก่อนตัด
- การตัดชิ้นงานที่มีน้ำมันเคลือบอยู่อาจทำให้ใบเลื่อยหลุดออกโดยไม่ตั้งใจ เช็ดน้ำมันส่วนเกินออกจากชิ้นงานให้หมดก่อนทำการตัด
- ห้ามใช้น้ำมันตัดกลึงเป็นสารหล่อลื่นสำหรับการตัด ใช้เฉพาะแบริ่งสำหรับการตัดของ Makita เท่านั้น
- จับเครื่องมือให้แน่น
- ดูแลให้มีมืออยู่ห่างจากชิ้นส่วนหมุน
- เมื่อทำการตัดโลหะ โปรดระวังเศษโลหะที่ร้อนซึ่งกระเด็นออกมา
- อย่าปล่อยให้เครื่องมือทำงานโดยไม่มีผู้ดูแล
- อย่าสัมผัสกับใบเลื่อยหรือชิ้นงานทันทีหลังจากการใช้งาน เนื่องจากอาจมีความร้อนสูงและไหม้ผิวหนังคุณได้

#### คำแนะนำเพื่อความปลอดภัยที่สำคัญสำหรับดัลลิบบัดเตอร์

- ก่อนใช้งานดัลลิบบัดเตอร์ ให้อ่านคำแนะนำและเครื่องหมายเตือนทั้งหมดบน (1) เครื่องชาร์จแบตเตอรี่ (2) แบตเตอรี่ และ (3) ตัวผลิตภัณฑ์ที่ใช้แบตเตอรี่
- ห้ามถอดแยกส่วนดัลลิบบัดเตอร์
- หากระยะเวลาที่เครื่องทำงานสั้นเกินไป ให้หยุดใช้งานทันที เนื่องจากอาจมีความเสี่ยงที่จะร้อนจัด ไหม้หรือระเบิดได้
- หากสารละลายอิเล็กโทรไลต์กระเด็นเข้าตา ให้ล้างออกด้วยน้ำเปล่าและรีบไปพบแพทย์ทันที เนื่องจากอาจทำให้ตาบอด
- ห้ามลัดวงจรดัลลิบบัดเตอร์:
  - ห้ามแตะขั้วกับวัตถุที่เป็นสื่อไฟฟ้าใดๆ
  - หลีกเลี่ยงการเก็บดัลลิบบัดเตอร์ไว้ในภาชนะร่วมกับวัตถุที่เป็นโลหะ เช่น กรรไกรตัดเล็บ เหรียญ ฯลฯ
  - อย่าให้ดัลลิบบัดเตอร์ถูกน้ำหรือฝน แบตเตอรี่ลัดวงจรอาจทำให้เกิดการไหลของกระแสไฟฟ้า ร้อนจัด ไหม้หรือเสียหายได้
- ห้ามเก็บเครื่องมือและดัลลิบบัดเตอร์ไว้ในสถานที่ที่มีอุณหภูมิสูงถึงหรือเกิน 50 °C



- ห้ามเผาติดแบตเตอรี่ทิ้ง แม้ว่าแบตเตอรี่จะเสียหายจนใช้การไม่ได้หรือเสื่อมสภาพแล้ว ตลับแบตเตอรี่อาจจะระเบิดในกองไฟ
- ระวังอย่าทำแบตเตอรี่ตกหล่นหรือกระทบกระเทาะ
- ห้ามใช้แบตเตอรี่ที่เสียหาย
- แบตเตอรี่ลิเทียมไอออนที่มีมาให้เน้นเป็นไปตามข้อกำหนดของ Dangerous Goods Legislation สำหรับการขนส่งเพื่อการพาณิชย์ เช่น โดยบุคคลที่สาม ตัวแทนขนส่งสินค้า จะต้องตรวจสอบข้อกำหนดพิเศษในด้านการบรรจุหีบห่อหรือการติดป้ายสินค้าในการเตรียมสินค้าที่จะขนส่ง ให้ปรึกษาผู้เชี่ยวชาญด้านวัตถุอันตราย โปรดตรวจสอบข้อกำหนดในประเทศที่อาจมีรายละเอียดอื่นๆ เพิ่มเติม ให้ติดเทปหรือปิดหน้าสัมผัสและห่อแบตเตอรี่ในลักษณะที่แบตเตอรี่จะไม่เคลื่อนที่ไปมาในหีบห่อ
- เมื่อกำจัดตลับแบตเตอรี่ ให้ถอดตลับแบตเตอรี่ออกจากเครื่องมือและกำจัดในสถานที่ที่ปลอดภัย ปฏิบัติตามข้อบังคับในท้องถิ่นที่เกี่ยวกับการกำจัดแบตเตอรี่
- ใช้แบตเตอรี่กับผลิตภัณฑ์ที่ระบุโดย Makita เท่านั้น การติดตั้งแบตเตอรี่ในผลิตภัณฑ์ที่ไม่ใช่ตามที่ระบุอาจทำให้เกิดไฟไหม้ ความร้อนสูง ระเบิด หรืออิเล็กทรอนิกส์รั่วไหลได้
- หากไม่ใช่เครื่องมือเป็นระยะเวลานาน จะต้องถอดแบตเตอรี่ออกจากเครื่องมือ

## ปฏิบัติตามคำแนะนำเหล่านี้

**⚠ ข้อควรระวัง:** ใช้แบตเตอรี่ของแท้จาก Makita เท่านั้น การใช้แบตเตอรี่ Makita ที่ไม่แท้ หรือแบตเตอรี่ที่ถูกเปลี่ยน อาจทำให้แบตเตอรี่ระเบิด ก่อให้เกิดเพลิงลุกไหม้ การบาดเจ็บ และความเสียหายได้ และจะทำให้การรับประกันของ Makita สำหรับเครื่องมือและแท่นชาร์จของ Makita เป็นโมฆะด้วย

## เคล็ดลับในการรักษาอายุการใช้งานของแบตเตอรี่ให้ยาวนานที่สุด

- ชาร์จตลับแบตเตอรี่ก่อนที่ไฟจะหมด หยุดการใช้งานแล้วชาร์จประจุไฟฟ้าใหม่ทุกครั้งเมื่อคุณรู้สึกว่าอุปกรณ์มีกำลังลดลง
- อย่าชาร์จตลับแบตเตอรี่ที่มีไฟเต็มแล้ว การชาร์จประจุไฟฟ้ามกเกินไปอาจจะทำให้อายุการใช้งานของตลับแบตเตอรี่สั้นลง
- ชาร์จประจุไฟฟ้าตลับแบตเตอรี่ในห้องที่มีอุณหภูมิระหว่าง 10 °C - 40 °C ปล่อยให้ตลับแบตเตอรี่เย็นลงก่อนที่จะชาร์จไฟ

- ชาร์จไฟตลับแบตเตอรี่หากคุณไม่ต้องการใช้เป็นเวลานาน (เกินกว่าหกเดือน)

## คำอธิบายการทำงาน

**⚠ ข้อควรระวัง:** ตรวจสอบให้แน่ใจว่าได้ปิดสวิตช์เครื่องมือและถอดตลับแบตเตอรี่ออกก่อนปรับตั้งหรือตรวจสอบการทำงานของเครื่องมือ

## การใส่หรือการถอดตลับแบตเตอรี่

**⚠ ข้อควรระวัง:** ปิดสวิตช์เครื่องมือก่อนทำการติดตั้งหรือการถอดตลับแบตเตอรี่ทุกครั้ง

**⚠ ข้อควรระวัง:** ถือเครื่องมือและตลับแบตเตอรี่ให้แน่นในระหว่างการติดตั้งหรือการถอดตลับแบตเตอรี่ หากไม่ถือเครื่องมือและตลับแบตเตอรี่ให้แน่น อาจทำให้ตลับแบตเตอรี่และเครื่องมือลื่นหลุดมือ และทำให้เครื่องมือและตลับแบตเตอรี่เสียหายหรือได้รับบาดเจ็บได้

- หมายเลข 1: 1. ไฟแสดงสถานะสีแดง 2. ปุ่ม 3. ตลับแบตเตอรี่

เมื่อต้องการถอดตลับแบตเตอรี่ ให้เลื่อนปุ่มที่ด้านหน้าของตลับแล้วดึงออกจากเครื่องมือ

เมื่อต้องการติดตั้งตลับแบตเตอรี่ ให้จัดแนวสันบนตลับแบตเตอรี่ให้ตรงกับร่องบนตัวเครื่องมือ แล้วเลื่อนตลับแบตเตอรี่เข้าที่ ติดตั้งตลับแบตเตอรี่เข้าจนสุดจนกระทั่งได้ยินเสียงคลิกล็อกเข้าที่ หากยังเห็นส่วนสีแดงที่ด้านบนของปุ่ม แสดงว่าตลับแบตเตอรี่ยังไม่ล็อกเข้าที่

**⚠ ข้อควรระวัง:** ให้อินตลับแบตเตอรี่เข้าจนสุดจนไม่เห็นส่วนสีแดงอีก ไม่เช่นนั้น ตลับแบตเตอรี่อาจหลุดออกจากเครื่องมือทำให้คุณหรือคนรอบข้างได้รับบาดเจ็บ















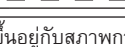


**⚠ ข้อควรระวัง:** อย่าฝืนติดตั้งตลับแบตเตอรี่โดยใช้แรงมากเกินไป หากตลับแบตเตอรี่ไม่เลื่อนเข้าไปโดยง่าย แสดงว่าใส่ไม่ถูกต้อง

## การระบุระดับพลังงานแบตเตอรี่ที่เหลืออยู่

สำหรับดัลบีแบตเตอรี่ที่มีตัวแสดงสถานะเท่านั้น

► หมายเลข 2: 1. ไฟแสดงสถานะ 2. ปุ่มตรวจสอบ

กดปุ่ม ตรวจสอบ บนดัลบีแบตเตอรี่เพื่อดูปริมาณแบตเตอรี่ที่เหลือ ไฟแสดงสถานะจะสว่างขึ้นเป็นเวลาสองสามวินาที

ไฟแสดงสถานะ			แบตเตอรี่ที่เหลือ
			
			75% ถึง 100%
			50% ถึง 75%
			25% ถึง 50%
			0% ถึง 25%
			ชาร์จไฟแบตเตอรี่
			แบตเตอรี่อาจจะเสีย
			







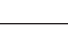
หมายเหตุ: ขึ้นอยู่กับสภาพการใช้งานและอุณหภูมิโดยรวม การแสดงสถานะอาจจะแตกต่างจากปริมาณแบตเตอรี่จริงเล็กน้อย

## การระบุระดับพลังงานแบตเตอรี่ที่เหลืออยู่

กำหนดเฉพาะประเทศ

► หมายเลข 3: 1. ไฟแสดงสถานะแบตเตอรี่

เมื่อคุณดึงสวิตช์ใช้งาน ดวงไฟ LED จะแสดงความจุแบตเตอรี่ที่เหลืออยู่ ความจุแบตเตอรี่ที่เหลืออยู่จะแสดงตามตารางต่อไปนี้

สถานะของไฟแสดงสถานะแบตเตอรี่			ความจุแบตเตอรี่ที่เหลืออยู่
			
			50% ถึง 100%
			20% ถึง 50%
			0% ถึง 20%
			ชาร์จแบตเตอรี่

หมายเหตุ: เมื่อหน้าจอ LED ดับ เครื่องมือจะปิดเพื่อประหยัดพลังงานแบตเตอรี่ เมื่อต้องการตรวจสอบความจุแบตเตอรี่ที่เหลืออยู่ ให้ดึงสวิตช์ใช้งานเล็กน้อย

หมายเหตุ: หน้าจอ LED จะดับลงหลังจากปล่อยก้านสวิตช์ประมาณหนึ่งนาที

หมายเหตุ: หากไฟ LED สว่างขึ้นและเครื่องมือหยุดทำงาน แม้ว่าดัลบีแบตเตอรี่จะมีพลังงานเต็ม โปรดรอให้อุณหภูมิของเครื่องมือลดลงจนเป็นปกติ หากสถานะยังไม่เปลี่ยนแปลง ให้หยุดใช้งานเครื่องมือและส่งไปซ่อมแซมที่ศูนย์บริการ Makita ใกล้บ้านคุณ

## ระบบป้องกันเครื่องมือ/แบตเตอรี่

เครื่องมือมีระบบป้องกันเครื่องมือ/แบตเตอรี่ ระบบนี้จะตัดไฟที่ส่งไปยังมอเตอร์โดยอัตโนมัติเพื่อยืดอายุการใช้งานเครื่องมือและแบตเตอรี่ เครื่องมือจะหยุดทำงานระหว่างการใช้งานโดยอัตโนมัติ หากเครื่องมือหรือแบตเตอรี่อยู่ภายใต้สถานการณ์ต่อไปนี้

### การป้องกันโอเวอร์โหลด

เมื่อแบตเตอรี่ทำงานในรูปแบบที่อาจดึงพลังงานไฟฟ้าสูงเกินไป เครื่องมือจะหยุดโดยอัตโนมัติโดยไม่มีการแจ้งเตือนใดๆ ในกรณีนี้ ให้ปิดเครื่องมือและหยุดการใช้งานในลักษณะที่อาจทำให้เครื่องมือทำงานหนักเกินไป แล้วเปิดเครื่องมือเพื่อเริ่มทำงานอีกครั้ง

### การป้องกันความร้อนสูงเกินไป

เมื่อเครื่องมือมีความร้อนสูงเกินไป เครื่องมือจะหยุดโดยอัตโนมัติและดวงไฟจะเริ่มกะพริบ ในกรณีนี้ ปล่อยให้เครื่องมือและแบตเตอรี่เย็นลงก่อนที่จะเปิดเครื่องมืออีกครั้ง

### การป้องกันไฟหมด

เมื่อแบตเตอรี่มีระดับพลังงานไม่เพียงพอ เครื่องมือจะหยุดโดยอัตโนมัติ ในกรณีนี้ ให้ถอดแบตเตอรี่ออกจากเครื่องมือและนำแบตเตอรี่ไปชาร์จไฟ

## ขอเกี่ยว

**⚠ ข้อควรระวัง:** อย่าแขวนเครื่องมือที่ตำแหน่งสูงหรือตำแหน่งที่อาจไม่มั่นคง

ขอเกี่ยวเหมาะสำหรับใช้แขวนเครื่องมือชั่วคราวในการใช้งานขอเกี่ยว ให้ยกขอเกี่ยวขึ้นจนติดเข้ากับตำแหน่งเปิด เมื่อไม่ใช้งานแล้ว ให้เอาขอเกี่ยวลงจนติดเข้ากับตำแหน่งปิด

ตำแหน่งเปิด

▶ หมายเลข 4: 1. ขอเกี่ยว

ตำแหน่งปิด

▶ หมายเลข 5: 1. ขอเกี่ยว

## การทำงานของสวิตช์

**⚠ คำเตือน:** ก่อนใส่ตลับแบตเตอรี่ลงในเครื่องมือ ให้ตรวจสอบว่าสวิตช์สั่งงานสามารถทำงานได้อย่างถูกต้อง และกลับไปยังตำแหน่ง "ปิด" เมื่อปล่อย

**⚠ คำเตือน:** ห้ามทำลายปุ่มปลดล็อกโดยใช้เทปพันหรือวิธีอื่น สวิตช์ที่ปุ่มปลดล็อกใช้ไม่ได้ อาจทำให้เกิดการใช้งานโดยไม่ตั้งใจและทำให้เกิดการบาดเจ็บร้ายแรงได้

**⚠ คำเตือน:** ห้ามใช้เครื่องมือหากเครื่องมือสามารถทำงานได้เมื่อคุณดึงสวิตช์สั่งงานโดยไม่ได้กดปุ่มปลดล็อก สวิตช์ที่ต้องทำการซ่อมแซมอาจทำให้เกิดการใช้งานโดยไม่ตั้งใจและทำให้เกิดการบาดเจ็บร้ายแรงได้ นำเครื่องมือส่งศูนย์บริการ Makita เพื่อการซ่อมแซมก่อนการใช้งาน

เพื่อป้องกันสวิตช์สั่งงานจากการถูกกดโดยไม่ตั้งใจจึงมีปุ่มปลดล็อกติดตั้งมาให้ เพื่อเริ่มใช้งานเครื่องมือ กดปุ่มปลดล็อกแล้วดึงสวิตช์สั่งงาน ความเร็วเครื่องมือจะเพิ่มขึ้นเมื่อออกแรงกดที่สวิตช์สั่งงาน ปล่อยสวิตช์สั่งงานเพื่อหยุดการทำงาน

▶ หมายเลข 6: 1. ปุ่มปลดล็อก 2. สวิตช์สั่งงาน

## แป้นปรับความเร็ว

▶ หมายเลข 7: 1. แป้นปรับความเร็ว

ความเร็วของเครื่องมือสามารถปรับอยู่ระหว่าง 1.3 m/s และ 3.2 m/s โดยการหมุนแป้นปรับความเร็ว เครื่องมือจะมีความเร็วสูงเมื่อหมุนแป้นปรับความเร็วไปที่หมายเลข 6 และมีความเร็วต่ำเมื่อหมุนแป้นปรับความเร็วไปที่หมายเลข 1

เลือกความเร็วที่เหมาะสมกับชิ้นงานที่จะตัด

**ข้อสังเกต:** เมื่อเปลี่ยนแป้นปรับความเร็วจากหมายเลข "6" เป็น "1" ให้หมุนแป้นทวนเข็มนาฬิกา อย่านับหมุนแป้นตามเข็มนาฬิกา

**ข้อสังเกต:** วัสดุที่เป็นพลาสติกอาจละลายเมื่อทำการตัดด้วยความเร็วสูง

## การเปิดดวงไฟด้านหลัง

**⚠ ข้อควรระวัง:** อย่ามองเข้าไปในดวงไฟหรือจ้องดูแหล่งกำเนิดแสงโดยตรง

ดึงสวิตช์สั่งงานเพื่อเปิดดวงไฟ ดวงไฟจะสว่างขึ้นขณะดึงสวิตช์สั่งงาน ดวงไฟจะดับประมาณ 10 วินาทีหลังจากปล่อยสวิตช์สั่งงาน

▶ หมายเลข 8: 1. ดวงไฟ

**หมายเหตุ:** อย่ากระแทกตรงดวงไฟ ซึ่งอาจทำให้ดวงไฟเสียหายหรืออายุการใช้งานสั้นลง

**หมายเหตุ:** ใช้ผ้าแห้งเพื่อเช็ดสิ่งสกปรกออกจากเลนส์ของดวงไฟ ระวังอย่าขีดข่วนเลนส์ของดวงไฟ ไม่เช่นนั้น อาจทำให้ส่องสว่างได้น้อยลง

**หมายเหตุ:** เมื่อเครื่องมือมีความร้อนสูงเกินไป ดวงไฟจะกะพริบหนึ่งนาทีแล้วจึงดับลง ในกรณีนี้ ให้รอจนเครื่องมือเย็นลงก่อนแล้วค่อยใช้งานต่อ

## การประกอบ

**⚠ ข้อควรระวัง:** ตรวจสอบให้แน่ใจว่าได้ปิดสวิทช์เครื่องมือและถอดปลั๊กแบตเตอรี่ออกก่อนดำเนินการใดๆ กับเครื่องมือ

## การติดตั้งหรือถอดใบเลื่อยสายพาน

**⚠ ข้อควรระวัง:** น้้ำมันบนใบเลื่อยสายพานอาจทำให้ใบเลื่อยเคลื่อนหรือเลื่อนหลุดโดยไม่ได้ตั้งใจ เช็ดน้ำมันส่วนเกินออกให้หมดด้วยผ้าก่อนทำการติดตั้งใบเลื่อยสายพาน

**⚠ ข้อควรระวัง:** สวมถุงมือป้องกันเมื่อจับใบเลื่อยสายพานเสมอ

**⚠ ข้อควรระวัง:** ใช้ความระมัดระวังขณะจับใบเลื่อยสายพานเพื่อหลีกเลี่ยงการถูกขบที่คมของฟันใบเลื่อยบาด

**⚠ ข้อควรระวัง:** ดูแลให้ร่างกายของคุณอยู่ห่างจากใบเลื่อยสายพานเมื่อทำการตรวจสอบการเคลื่อนที่ของใบเลื่อย

**⚠ ข้อควรระวัง:** เมื่อทำการปรับก้านขันใบเลื่อยตามเข็มนาฬิกาเพื่อคลายความตึงบนใบเลื่อยสายพาน ให้หันเครื่องมือลงด้านล่างเนื่องจากใบเลื่อยสายพานอาจหลุดออกโดยไม่ได้ตั้งใจ

การติดตั้งใบเลื่อยสายพาน:

1. ปรับก้านขันใบเลื่อยตามเข็มนาฬิกาจนสุดเพื่อคลายวงล้อ  
▶ **หมายเลข 9:** 1. ชันแน่น 2. คลาย 3. ก้านขันใบเลื่อย

2. เปิดฝาคอรวงล้อ  
▶ **หมายเลข 10:** 1. ฝาคอรวงล้อ 2. ขอเกี่ยว

**ข้อสังเกต:** เมื่อเปิดฝาคอรวงล้อออก ให้เปิดและคลายขอเกี่ยวทั้งสองอันพร้อมกัน การเปิดขอเกี่ยวเพียงอันเดียวอาจทำให้ฝาคอรวงล้อแตกหรือร้าวได้

3. จัดให้ทิศทางของลูกศรบนใบเลื่อยสายพานและบนวงล้อตรงกัน

4. สอดด้านที่ไม่ใช่ฟันเลื่อยของใบเลื่อยสายพานเข้าไปในที่ยึดด้านบนและที่ยึดด้านล่าง ตรวจสอบให้แน่ใจว่าใบเลื่อยสายพานทั้งในที่ยึดด้านบนและที่ยึดด้านล่างสัมผัสกับแปรงด้านล่าง

▶ **หมายเลข 11:** 1. ที่ยึดด้านล่าง 2. ที่ยึดด้านบน 3. แปรงด้านล่าง

5. จัดตำแหน่งใบเลื่อยให้รอบวงล้อข้างหนึ่งโดยกดส่วนตรงกลางของใบเลื่อยสายพานไว้ การเลื่อนวงล้อไปทางด้าน A จะทำให้จัดตำแหน่งใบเลื่อยได้ง่ายขึ้น

▶ **หมายเลข 12:** 1. วงล้อ 2. ยางล้อ

6. จัดตำแหน่งใบเลื่อยสายพานบนล้ออีกข้างให้เหมือนกัน

7. จัดตำแหน่งขอบของใบเลื่อยสายพานบนยางล้อ

8. จับใบเลื่อยสายพานให้อยู่กับที่ แล้วปรับก้านขันใบเลื่อยทวนเข็มนาฬิกาจนสุด ซึ่งจะช่วยให้ได้แรงตึงบนใบเลื่อยสายพานที่เหมาะสม

9. ปิดฝาคอรวงล้อ

**ข้อสังเกต:** ตรวจสอบให้แน่ใจว่าได้จัดตำแหน่งใบเลื่อยสายพานรอบวงล้ออย่างถูกต้องแล้ว

**ข้อสังเกต:** เริ่มและหยุดเครื่องมือสองหรือสามครั้งเพื่อให้แน่ใจว่าใบเลื่อยสายพานทำงานบนวงล้อได้อย่างเหมาะสม

การถอดใบเลื่อยสายพาน ให้ปฏิบัติตามขั้นตอนการติดตั้งแบบย้อนกลับ

## การปรับแนวของใบเลื่อย

เมื่อใบเลื่อยสายพานมีแนวโน้มที่จะหลุดออกจากวงล้อ ให้ปรับแนวของใบเลื่อย

สำหรับการปรับ ให้สอดประแจหกเหลี่ยมเข้าไปในรูปรับตามภาพ จากนั้นหมุนประแจตามเข็มนาฬิกาหนึ่งในสี่ส่วนของรอบ หลังจากนั้นให้ตรวจสอบว่าใบเลื่อยสายพานไม่หลุดออก

หากใบเลื่อยสายพานยังคงหลุดออก ให้หมุนอีกหนึ่งในสี่ส่วนของรอบ แล้วตรวจสอบจนกระทั่งใบเลื่อยสายพานไม่หลุดออก

▶ **หมายเลข 13:** 1. ประแจหกเหลี่ยม 2. รูปรับ

## การปรับตำแหน่งแผ่นสต็อปเปอร์

ในการทำงานปกติ ให้ปรับแผ่นสต็อปเปอร์ให้ยื่นไปทางด้าน A จนสุด

เมื่อแผ่นสต็อปเปอร์ชนกับสิ่งกีดขวาง เช่น กำแพงหรือสิ่งกีดขวางที่ขบกัดที่ขอบตัด ให้คลายสลักเกลียวสองตัวและสอดเข้าไปในด้าน B ตามภาพ

หลังจากเลื่อนแผ่นสต็อปเปอร์แล้ว ให้ยึดโดยการขันสลักเกลียวสองตัวให้แน่น

▶ **หมายเลข 14:** 1. แผ่นสต็อปเปอร์ 2. สลักเกลียว 3. ใบเลื่อยสายพาน

## การติดตั้งตามจับด้านข้าง (มือจับ)

### อุปกรณ์เสริม

ขันตามจับด้านข้างลงในตำแหน่งของเครื่องมือให้แน่นตามภาพ

▶ หมายเลข 15

## การใช้งาน

**⚠ ข้อควรระวัง:** ให้แน่ใจว่าใส่ดัลบ์แบตเตอรี่เข้าจนสุดจนกระทั่งได้ยินเสียงล็อกเข้าที่ หากยังเห็นส่วนสีแดงที่ด้านบนของปุ่ม แสดงว่าดัลบ์แบตเตอรี่ยังไม่ล็อกเข้าที่ ให้ดันดัลบ์แบตเตอรี่เข้าจนสุดจนไม่เห็นส่วนสีแดงอีก ไมเช่นนั้น ดัลบ์แบตเตอรี่อาจหลุดออกจากเครื่องมือทำให้คุณหรือคนรอบข้างได้รับบาดเจ็บ

**⚠ ข้อควรระวัง:** จับที่มือจับเสมอ ห้ามจับที่ตัวเครื่องมือหรือที่ป้องกัน มืออาจหลุดเข้าไปจากตำแหน่งดังกล่าว และสัมผัสกับใบเลื่อยสายพาน ซึ่งอาจส่งผลให้ได้รับบาดเจ็บได้

**⚠ ข้อควรระวัง:** ตรวจสอบให้แน่ใจว่าปิดฝาครอบวงล้อให้แน่น

**⚠ ข้อควรระวัง:** ตรวจสอบให้แน่ใจว่าได้จับเครื่องมือไว้แน่นแล้วเมื่อเปิดหรือปิดเครื่องมือ หรือเมื่อทำการตัด ไมเช่นนั้นเครื่องมืออาจวิ่งหล่นและทำให้ได้รับบาดเจ็บได้

**⚠ ข้อควรระวัง:** ใส่ถุงมือเสมอเพื่อป้องกันมือของคุณจากเศษชิ้นส่วนร้อนๆ ที่ปลิวมาระหว่างการตัดโลหะ

**⚠ ข้อควรระวัง:** หันตัวและใบหนี้ออกจากใบเลื่อยสายพานและเศษชิ้นส่วนที่ปลิวมา

เพื่อให้ตัดได้อย่างมั่นคง ให้พื้นเลื่อยสองซี่อยู่ในแนวการตัดเสมอ

▶ หมายเลข 16

วางใบเลื่อยสายพานไว้ที่ตำแหน่งการตัดที่เหมาะสมขึ้นงานตามภาพ

▶ หมายเลข 17

1. จับเครื่องมือตามภาพ

ก่อนเปิดเครื่องมือ ตรวจสอบให้แน่ใจว่าแผ่นสต็อปเปอร์สัมผัสกับชิ้นงานและไม่มีชิ้นงานติดอยู่ที่ใบเลื่อยสายพานเสมอ

▶ หมายเลข 18

2. เปิดเครื่องมือและรอนกระทั่งใบเลื่อยสายพานทำงานด้วยความเร็วสูงสุด ค่อยๆ ลดใบเลื่อยลงในแนวการตัด หน้าหนักของเครื่องมือหรือการกดเครื่องมือเพียงเล็กน้อยจะช่วยให้แรงกดที่พอดีสำหรับการตัด อย่าฝืนใช้เครื่องมือ

▶ หมายเลข 19

3. เมื่อคุณตัดจนสุดปลายแล้ว ให้คลายแรงดันและยกเครื่องมือขึ้นเล็กน้อยเพื่อไม่ให้เครื่องมือดกใส่ชิ้นงาน

**ข้อสังเกต:** การออกแรงดันเครื่องมือมากเกินไป หรือการบิดของใบเลื่อยสายพานอาจทำให้การตัดเอียงหรือทำให้ใบเลื่อยเสียหายได้

**ข้อสังเกต:** เมื่อไม่ได้ใช้เครื่องมือเป็นระยะเวลานาน ให้ถอดใบเลื่อยสายพานออกจากเครื่องมือ

**ข้อสังเกต:** หากใช้งานเครื่องมือต่อเนื่องจนดัลบ์แบตเตอรี่หมด ให้พักเครื่องมือไว้ 15 นาทีก่อนเริ่มทำงานด้วยแบตเตอรี่ใหม่

## สารหล่อลื่นสำหรับการตัด

### อุปกรณ์เสริม

**⚠ ข้อควรระวัง:** ห้ามใช้น้ำมันตัดกลึงหรือทาเน็กซ์ในปริมาณมากเกินไปที่ใบเลื่อยสายพาน เนื่องจากอาจทำให้ใบเลื่อยเคลื่อนหรือเลื่อนหลุดโดยไม่ได้ตั้งใจได้

**⚠ ข้อควรระวัง:** เมื่อทำการตัดเหล็กหล่อ อย่าใช้แว็กซ์สำหรับการตัดใดๆ

เมื่อทำการตัดโลหะ ให้ใช้แว็กซ์สำหรับการตัดของ Makita เป็นสารหล่อลื่นสำหรับการตัด การทาเน็กซ์สำหรับการตัดที่พื้นของใบเลื่อยสายพาน ให้เปิดฝาปิดแว็กซ์สำหรับการตัดออก เริ่มเครื่องมือแล้วตัดลงไปบนแว็กซ์สำหรับการตัดตามภาพ

▶ หมายเลข 20: 1. แว็กซ์สำหรับการตัด

## การบำรุงรักษา

**⚠ ข้อควรระวัง:** ตรวจสอบให้แน่ใจว่าได้ปิดสวิตช์เครื่องมือและถอดด้ามแบตเตอรี่ออกก่อนทำการตรวจสอบหรือบำรุงรักษา

**ข้อสังเกต:** อย่าใช้น้ำมันเชื้อเพลิง เบนซิน ทินเนอร์ แอลกอฮอล์ หรือวัสดุประเภทเดียวกัน เนื่องจากอาจทำให้สีซีดจาง เสียรูป หรือแตกร้าวได้

เพื่อความปลอดภัยและนำเชื้อถือของผลิตภัณฑ์ ควรให้ศูนย์บริการหรือโรงงานที่ผ่านการรับรองจาก Makita เป็นผู้ดำเนินการซ่อมแซม บำรุงรักษาและทำการปรับตั้งอื่นๆ นอกจากนี้ให้ซื้ออะไหล่ของแท้จาก Makita เสมอ

## การทำความสะอาด

**⚠ ข้อควรระวัง:** แวกซ์และเศษเลื่อยบนยางล๊อบนวงล้อ อาจทำให้ใบเลื่อยสายพานเคลื่อนและเลื่อนหลุดโดยไม่ได้ตั้งใจได้ ใช้ผ้าแห้งเช็ดแวกซ์และเศษเลื่อยออกจากยางล๊อบ

หลังใช้งาน ให้เช็ดแวกซ์ เศษเลื่อย และฝุ่นออกจากเครื่องมือ ยางล๊อบนวงล้อ และใบเลื่อยสายพาน

## การเปลี่ยนยางล๊อบนวงล้อ

เปลี่ยนยางล๊อบเมื่อใบเลื่อยสายพานเคลื่อนหรือไม่อยู่ในแนวที่เหมาะสมเนื่องจากยางล๊อบเสื่อมสภาพ เมื่อต้องการเปลี่ยนยางล๊อบ โปรดสอบถามศูนย์บริการที่ได้รับ การรับรองของ Makita หรือศูนย์บริการของโรงงาน

## อุปกรณ์เสริม

**⚠ ข้อควรระวัง:** ขอแนะนำให้ใช้เฉพาะอุปกรณ์เสริมหรืออุปกรณ์ต่อพ่วงเหล่านี้กับเครื่องมือ Makita ที่ระบุในคู่มือการใช้อุปกรณ์เสริมหรืออุปกรณ์ต่อพ่วงอื่นๆ อาจมีความเสี่ยงที่จะได้รับบาดเจ็บ ใช้อุปกรณ์เสริมหรืออุปกรณ์ต่อพ่วงตามวัตถุประสงค์ที่ระบุไว้เท่านั้น

หากต้องการทราบรายละเอียดเพิ่มเติมเกี่ยวกับอุปกรณ์เสริมเหล่านี้ โปรดสอบถามศูนย์บริการ Makita ใกล้บ้านคุณ

- แบตเตอรี่และเครื่องชาร์จ Makita ของแท้
- ใบเลื่อยสายพาน
- แวกซ์สำหรับการ์ดตัด
- ด้ามจับ 36

**หมายเหตุ:** อุปกรณ์บางรายการอาจรวมอยู่ในชุดเครื่องมือเป็นอุปกรณ์มาตรฐาน ซึ่งอาจแตกต่างกันไปในแต่ละประเทศ

Makita Corporation  
3-11-8, Sumiyoshi-cho,  
Anjo, Aichi 446-8502 Japan  
www.makita.com

885785-374  
EN, ZHCN, ID, MS,  
VI, TH  
20200107