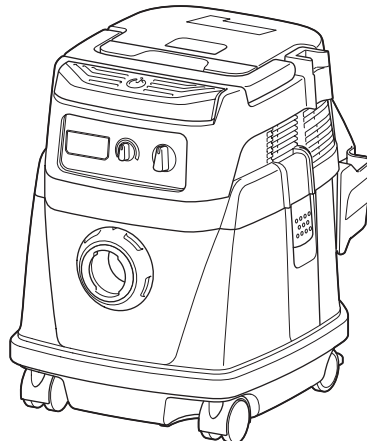
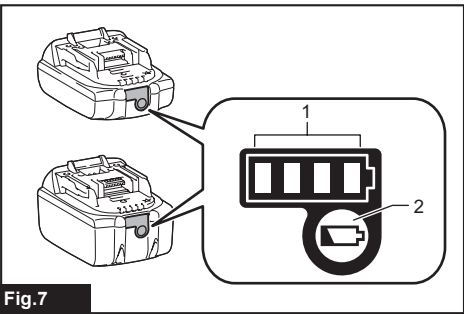
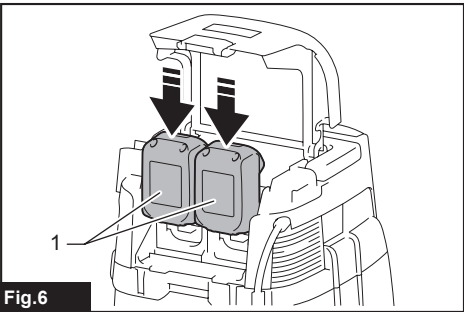
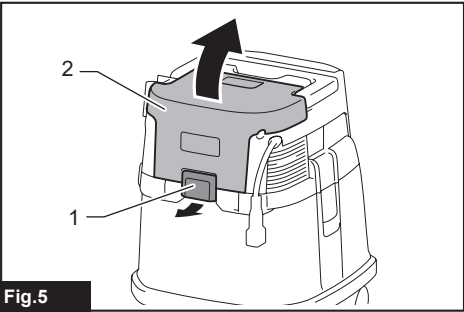
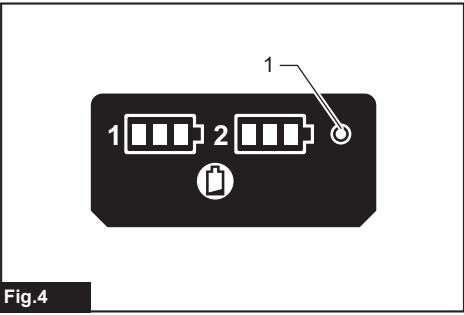
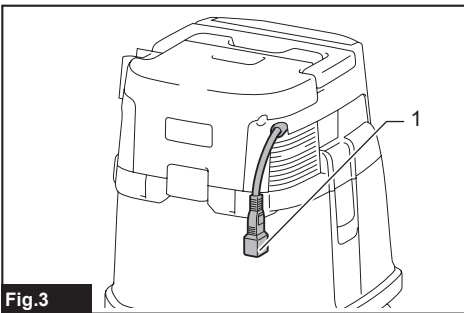
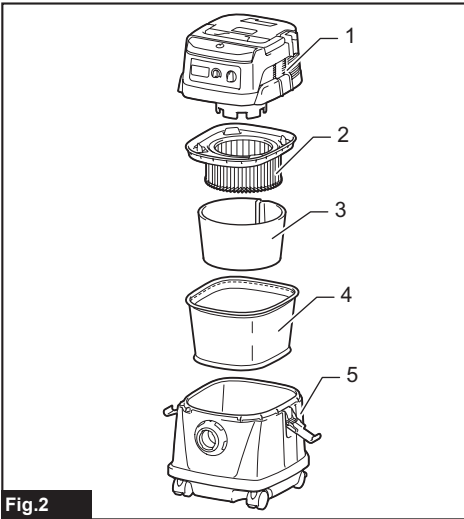
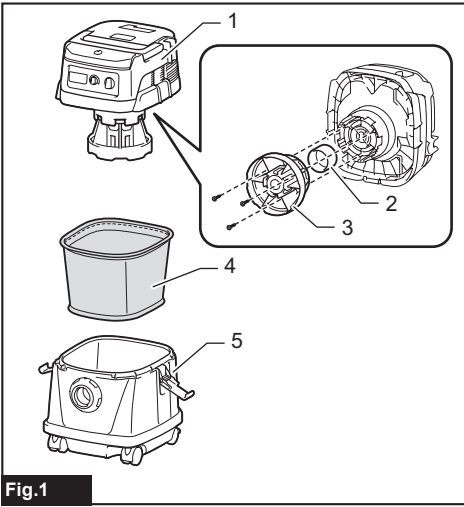


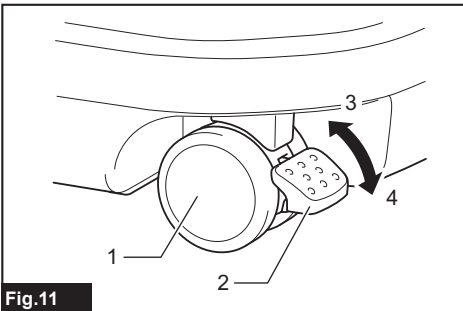
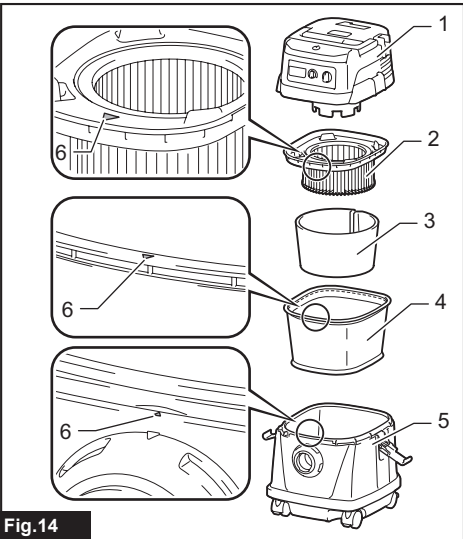
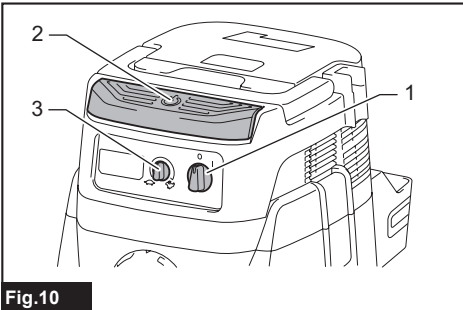
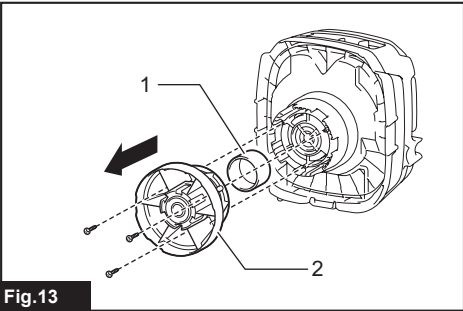
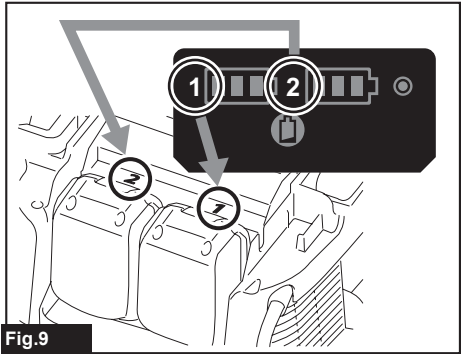
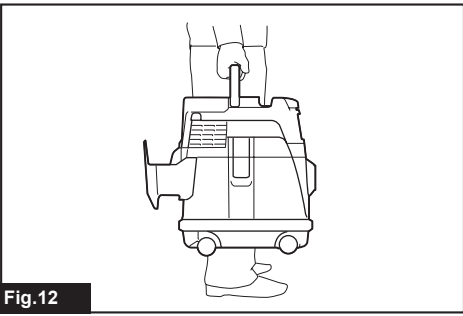
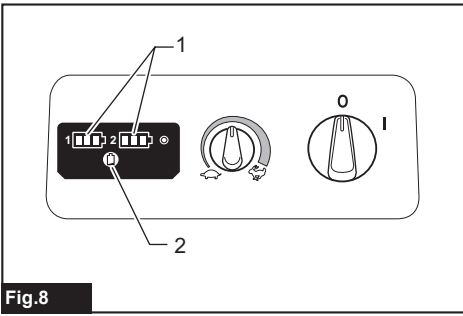


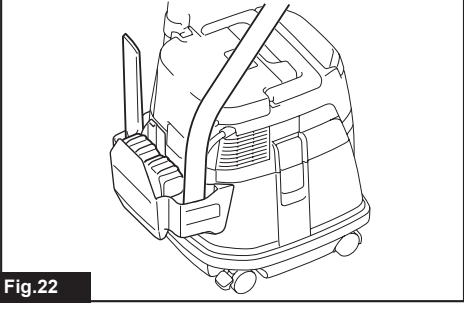
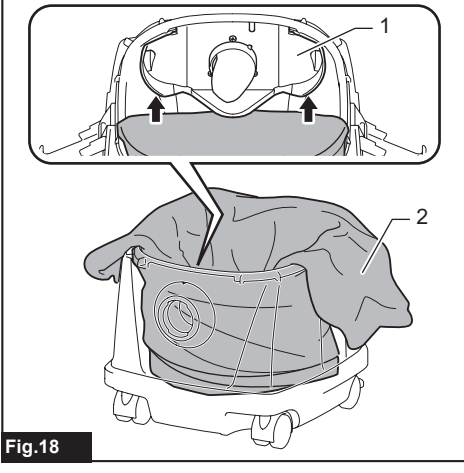
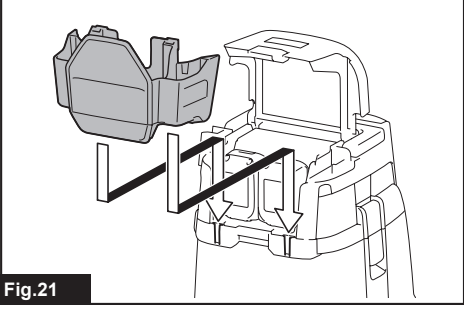
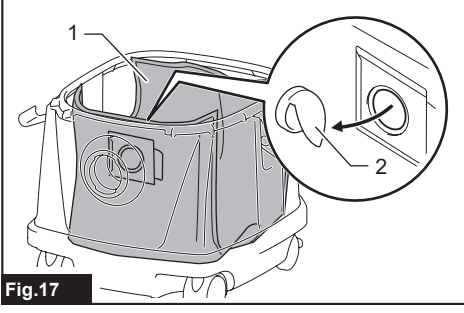
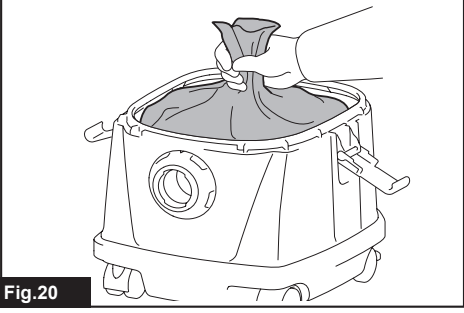
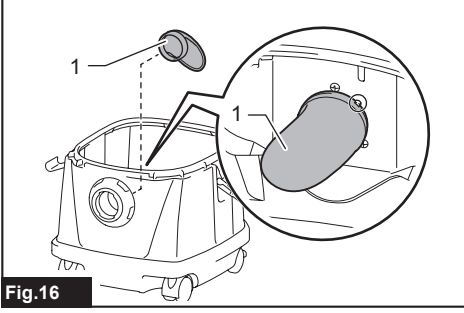
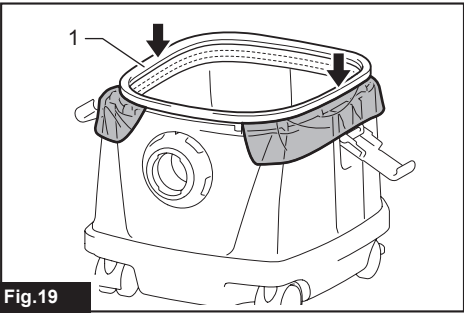
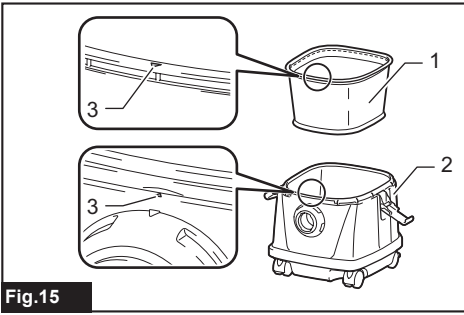
EN	Corded and Cordless Vacuum Cleaner	INSTRUCTION MANUAL	6
ID	Pengisap Debu Tanpa Kabel dan Dengan Kabel	PETUNJUK PENGGUNAAN	15
VI	Máy Hút Bụi Cầm Tay Hoạt Động Bằng Điện Và Pin	TÀI LIỆU HƯỚNG DẪN	25
TH	เครื่องดูดฝุ่นมีสายและไร้สาย	คู่มือการใช้งาน	34

**DVC150L**  
**DVC151L**









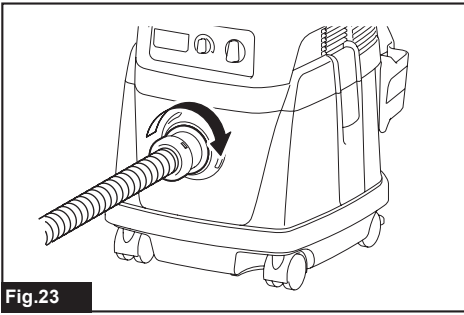


Fig.23

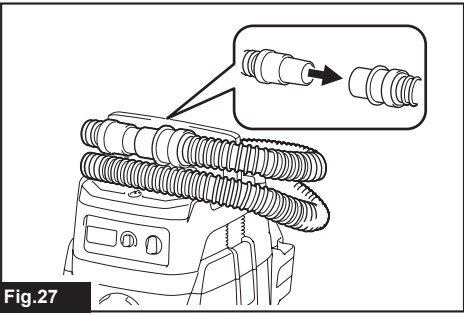


Fig.27

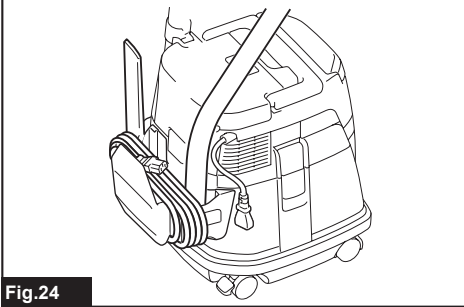


Fig.24

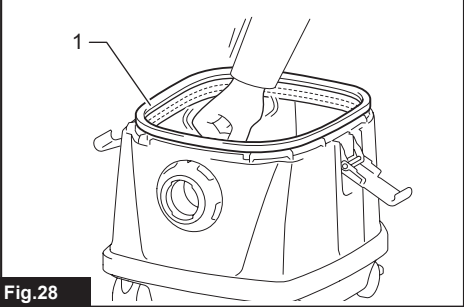


Fig.28

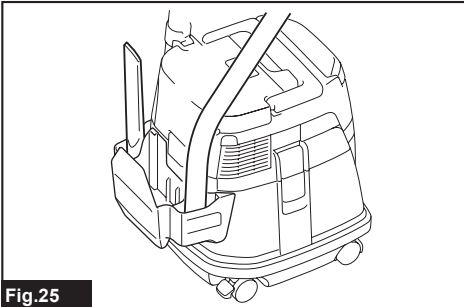


Fig.25

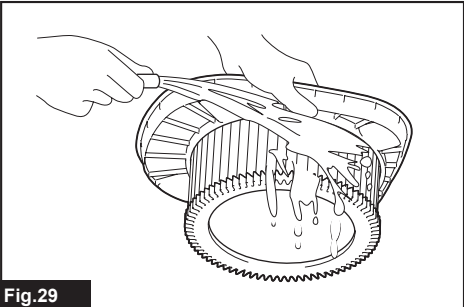


Fig.29

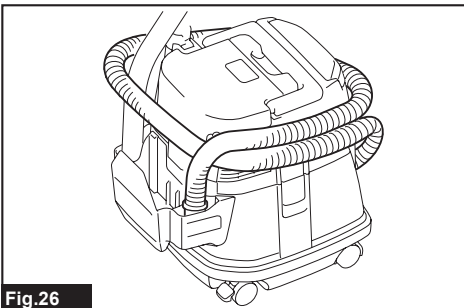


Fig.26

## WARNING

- This machine is not intended for use by persons including children with reduced physical, sensory or mental capabilities, or lack of experience and knowledge.
- Children should be supervised to ensure that they do not play with the cleaner.
- If the supply cord is damaged, it must be replaced by the authorized service facility.
- See the chapter "SPECIFICATIONS" for the type reference of the battery.
- See the section "Installing or removing battery cartridge" for how to remove or install the battery.
- When disposing of the battery cartridge, remove it from the tool and dispose of it in a safe place. Follow your local regulations relating to disposal of battery.
- If the tool is not used for a long period of time, the battery must be removed from the tool.
- Do not short the battery cartridge.
- See the chapter "MAINTENANCE" for the appropriate details of precautions during user maintenance.

## SPECIFICATIONS

Model:		DVC150L	DVC151L
Standard filter type		Cloth filter (for dry and wet dust)	Powder filter (for dry dust)
Volume flow (air)	DC operation (with BL1850B, ø38 mm x 2.5 m hose)	2.1 m <sup>3</sup> /min	
	AC operation (with ø38 mm x 2.5 m hose)	3.6 m <sup>3</sup> /min	
Vacuum	DC operation (with BL1850B, ø38 mm x 2.5 m hose)	9.0 kPa	
	AC operation (with ø38 mm x 2.5 m hose)	24.0 kPa	
Recoverable capacity	Dust	15 L	
	Water	12 L	-
Dimensions (L x W x H)		366 mm x 334 mm x 421 mm	
Electric ratings with AC operation		Depends on the country. Refer to the nameplate.	
Rated voltage with battery operation		D.C. 36 V	
Net weight		8.9 - 9.6 kg	9.6 - 10.3 kg
Protection degree		IPX4	
Safety class		□/II	

- Due to our continuing program of research and development, the specifications herein are subject to change without notice.
- Specifications and battery cartridge may differ from country to country.
- The weight does not include accessories but battery cartridge(s). The lightest and heaviest combination weight of the appliance and battery cartridge(s) are shown in the table.
- For wet dust, the float and the water filter or cloth filter are required.

### Applicable battery cartridge and charger

Battery cartridge	BL1815N / BL1820B / BL1830B / BL1840B / BL1850B / BL1860B
Charger	DC18RC / DC18RD / DC18RE / DC18SD / DC18SE / DC18SF / DC18SH

- Some of the battery cartridges and chargers listed above may not be available depending on your region of residence.

**⚠WARNING: Only use the battery cartridges and chargers listed above.** Use of any other battery cartridges and chargers may cause injury and/or fire.

## Symbols

The followings show the symbols which may be used for the equipment. Be sure that you understand their meaning before use.



Read instruction manual.



Take particular care and attention.



Warning! The cleaner may contain hazardous dust.



Never stand on the cleaner.



Dust class L (light). The cleaners are capable of picking up dust class L. Follow your country's regulations relating to dusts and to occupational health and safety.



DOUBLE INSULATION



Only for EU countries  
Due to the presence of hazardous components in the equipment, waste electrical and electronic equipment, accumulators and batteries may have a negative impact on the environment and human health. Do not dispose of electrical and electronic appliances or batteries with household waste!  
In accordance with the European Directive on waste electrical and electronic equipment and on accumulators and batteries and waste accumulators and batteries, as well as their adaptation to national law, waste electrical equipment, batteries and accumulators should be stored separately and delivered to a separate collection point for municipal waste, operating in accordance with the regulations on environmental protection.  
This is indicated by the symbol of the crossed-out wheeled bin placed on the equipment.

## Intended use

The tool is suitable for commercial use, for example in hotels, schools, hospitals, factories, shops, offices and rental businesses.

### DVC150L

The tool is intended for collecting both wet and dry dust.

### DVC151L

The tool is intended for collecting dry dust only.

## Power supply

The tool should be connected only to a power supply of the same voltage as indicated on the nameplate, and can only be operated on single-phase AC supply. They are double-insulated and can, therefore, also be used from sockets without earth wire.

## SAFETY WARNINGS

### Corded and cordless vacuum cleaner safety warnings

**⚠ WARNING: IMPORTANT! READ CAREFULLY all safety warnings and all instructions BEFORE USE.** Failure to follow the warnings and instructions may result in electric shock, fire and/or serious injury.

1. **Before use, make sure that this cleaner must be used by people who have been adequately instructed on the use of this cleaner.**
2. **Before use, operators shall be provided with information, instruction and training for the use of the machine and the substances for which it is to be used, including the safe method of removal and disposal of the material collected.**
3. **If foam/liquid comes out, switch off immediately.**
4. **Clean the water level limiting device regularly and examine it for signs of damage.**
5. **Do not use the cleaner without the filter. Replace a damaged filter immediately.**
6. **USE OF EXTENSION CORD.** When using an extension cord because of the great distance to your power source, try to employ a cord that is sufficiently thick but not too long, or cleaner performance will be adversely affected. For outdoor applications use an extension cord suitable for outdoor use.
7. **VOLTAGE WARNING:** Before connecting the cleaner to a power source (receptacle, outlet, etc.) be sure the voltage supplied is the same as that specified on the nameplate of the cleaner. A power source with voltage greater than that specified for the cleaner can result in **SERIOUS INJURY** to the operator as well as damage to the cleaner. If in doubt, **DO NOT PLUG IN THE CLEANER.** Using a power source with voltage less than the nameplate rating is harmful to the motor.
8. **AVOID UNINTENTIONAL STARTING.** Be sure switch is **OFF** when plugging in.
9. **Do not attempt to pick up flammable materials, fire works, lighted cigarettes, hot ashes, hot metal chips, sharp materials such as razors, needles, broken glass or the like.**
10. **NEVER USE THE CLEANER IN THE VICINITY OF GASOLINE, GAS, PAINT, ADHESIVES OR OTHER HIGHLY EXPLOSIVE SUBSTANCES.** The switch emits sparks when turned **ON** and **OFF.** And so does the motor commutator during operation. A dangerous explosion may result.
11. **Never vacuum up toxic, carcinogenic, combustible or other hazardous materials such as asbestos, arsenic, barium, beryllium, lead, pesticides, or other health endangering materials.**

12. Always place the cleaner on a horizontal flat surface to prevent it from falling or moving unintentionally.
  13. Never use the cleaner outdoors in the rain.
  14. For Finland, this machine is not to be used outdoors at low temperature.
  15. Do not use close to heat sources (stoves, etc.).
  16. If the exhaust air is returned to the room, it is necessary to provide for an adequate air change rate in the room. Reference to National regulations is necessary.
  17. **GUARD AGAINST ELECTRIC SHOCK.** Prevent body contact with grounded surfaces. For example; pipes, radiators, ranges, refrigerator enclosures.
  18. Do not block cooling vents. These vents permit cooling of the motor. Blockage should be carefully avoided otherwise the motor will burn out from lack of ventilation.
  19. Keep proper footing and balance at all times.
  20. **DO NOT ABUSE CORD.** Never carry the cleaner by cord or yank it to disconnect from receptacle. Keep cord away from heat, oil, and sharp edges. Inspect cleaner cords periodically and if damaged, have repaired by authorized service facility. Inspect extension cords periodically and replace if damaged.
  21. Do not fold, tug or step on the hose.
  22. Stop the cleaner immediately if you notice poor performance or anything abnormal during operation.
  23. **DISCONNECT THE CLEANER.** When not in use, before servicing, and when changing accessories.
  24. Clean and service the cleaner immediately after each use to keep it in tiptop operating condition.
  25. **MAINTAIN THE CLEANER WITH CARE.** Keep the cleaner clean for better and safer performance. Follow instructions for changing accessories. Keep handles dry, clean, and free from oil and grease.
  26. **CHECK DAMAGED PARTS.** Before further use of the cleaner, a guard or other part that is damaged should be carefully checked to determine that it will operate properly and perform its intended function. Check for alignment of moving parts, binding of moving parts, breakage of parts, mounting, and any other conditions that may affect its operation. A guard or other part that is damaged should be properly repaired or replaced by an authorized service center unless otherwise indicated elsewhere in this instruction manual. Have defective switches replaced by authorized service center. Don't use the cleaner if switch does not turn it on and off.
  27. For user servicing, the machine shall be dismantled, cleaned and serviced, as far as is reasonably practicable, without causing risk to the maintenance staff and others.
  28. The machine should be technically inspected by the manufacturer, or an instructed person, at least annually, consisting of, for example, inspection of filters for damage, air tightness of the machine and proper function of the control mechanism.
  29. When carrying out service or repair operations, all contaminated items which cannot be satisfactorily cleaned are to be disposed of; such items shall be disposed of in impervious bags in accordance with any current regulation for the disposal of such waste.
  30. **REPLACEMENT PARTS.** When servicing, use only identical replacement parts.
  31. When not in use, always store the cleaner indoors.
  32. Wet filters and the interior part of the liquid container shall be dried before storage.
  33. Be kind to your cleaner. Rough handling can cause breakage of even the most sturdily built cleaner.
  34. Do not attempt to clean the exterior or interior with benzine, thinner or cleaning chemicals. Cracks and discoloration may be caused.
  35. Do not use cleaner in an enclosed space where flammable, explosive or toxic vapors are given off by oil-base paint, paint-thinner, gasoline, some mothproofing substances, etc., or in areas where flammable dust is present.
  36. Do not leave the cleaner cord lying on the floor after you have finished a cleaning job. It can become a tripping hazard or may cause damage to the cleaner.
  37. Do not operate the cleaner or any tool while under the influence of drugs or alcohol.
  38. As a basic rule of safety, use safety goggles or safety glasses with side shields.
  39. Use a dust mask in dusty work conditions.
  40. This machine is not intended for use by persons including children with reduced physical, sensory or mental capabilities, or lack of experience and knowledge.
  41. Children should be supervised to ensure that they do not play with the cleaner.
  42. Never handle plug cord or cleaner with wet hands.
  43. Use extreme caution when cleaning on stairs.
  44. Do not use the cleaner as a stool or work bench. The machine may fall down and may result in personal injury.
- Battery tool use and care**
1. **Recharge only with the charger specified by the manufacturer.** A charger that is suitable for one type of battery pack may create a risk of fire when used with another battery pack.
  2. **Use power tools only with specifically designated battery packs.** Use of any other battery packs may create a risk of injury and fire.
  3. **When battery pack is not in use, keep it away from other metal objects, like paper clips, coins, keys, nails, screws or other small metal objects, that can make a connection from one terminal to another.** Shorting the battery terminals together may cause burns or a fire.



4. **Under abusive conditions, liquid may be ejected from the battery; avoid contact. If contact accidentally occurs, flush with water. If liquid contacts eyes, additionally seek medical help.** Liquid ejected from the battery may cause irritation or burns.
5. **Do not use a battery pack or tool that is damaged or modified.** Damaged or modified batteries may exhibit unpredictable behaviour resulting in fire, explosion or risk of injury.
6. **Do not expose a battery pack or tool to fire or excessive temperature.** Exposure to fire or temperature above 130 °C may cause explosion.
7. **Follow all charging instructions and do not charge the battery pack or tool outside the temperature range specified in the instructions.** Charging improperly or at temperatures outside the specified range may damage the battery and increase the risk of fire.
8. **Do not nail, cut, crush, throw, drop the battery cartridge, or hit against a hard object to the battery cartridge.** Such conduct may result in a fire, excessive heat, or explosion.
9. **Do not use a damaged battery.**
10. **The contained lithium-ion batteries are subject to the Dangerous Goods Legislation requirements.**  
For commercial transports e.g. by third parties, forwarding agents, special requirement on packaging and labeling must be observed.  
For preparation of the item being shipped, consulting an expert for hazardous material is required. Please also observe possibly more detailed national regulations.  
Tape or mask off open contacts and pack up the battery in such a manner that it cannot move around in the packaging.

## SAVE THESE INSTRUCTIONS.

**⚠WARNING:** DO NOT let comfort or familiarity with product (gained from repeated use) replace strict adherence to safety rules for the subject product. MISUSE or failure to follow the safety rules stated in this instruction manual may cause serious personal injury.

### Important safety instructions for battery cartridge

1. **Before using battery cartridge, read all instructions and cautionary markings on (1) battery charger, (2) battery, and (3) product using battery.**
2. **Do not disassemble or tamper with the battery cartridge.** It may result in a fire, excessive heat, or explosion.
3. **If operating time has become excessively shorter, stop operating immediately.** It may result in a risk of overheating, possible burns and even an explosion.
4. **If electrolyte gets into your eyes, rinse them out with clear water and seek medical attention right away.** It may result in loss of your eyesight.
5. **Do not short the battery cartridge:**
  - (1) **Do not touch the terminals with any conductive material.**
  - (2) **Avoid storing battery cartridge in a container with other metal objects such as nails, coins, etc.**
  - (3) **Do not expose battery cartridge to water or rain.**
6. **Do not store and use the tool and battery cartridge in locations where the temperature may reach or exceed 50 °C (122 °F).**
7. **Do not incinerate the battery cartridge even if it is severely damaged or is completely worn out.** The battery cartridge can explode in a fire.
11. **When disposing the battery cartridge, remove it from the tool and dispose of it in a safe place.** Follow your local regulations relating to disposal of battery.
12. **Use the batteries only with the products specified by Makita.** Installing the batteries to non-compliant products may result in a fire, excessive heat, explosion, or leak of electrolyte.
13. **If the tool is not used for a long period of time, the battery must be removed from the tool.**
14. **During and after use, the battery cartridge may take on heat which can cause burns or low temperature burns.** Pay attention to the handling of hot battery cartridges.
15. **Do not touch the terminal of the tool immediately after use as it may get hot enough to cause burns.**
16. **Do not allow chips, dust, or soil stuck into the terminals, holes, and grooves of the battery cartridge.** It may result in poor performance or breakdown of the tool or battery cartridge.
17. **Unless the tool supports the use near high-voltage electrical power lines, do not use the battery cartridge near high-voltage electrical power lines.** It may result in a malfunction or breakdown of the tool or battery cartridge.
18. **Keep the battery away from children.**

## SAVE THESE INSTRUCTIONS.

**⚠CAUTION:** Only use genuine Makita batteries. Use of non-genuine Makita batteries, or batteries that have been altered, may result in the battery bursting causing fires, personal injury and damage. It will also void the Makita warranty for the Makita tool and charger.

### Tips for maintaining maximum battery life

6. **Do not store and use the tool and battery cartridge in locations where the temperature may reach or exceed 50 °C (122 °F).**
7. **Do not incinerate the battery cartridge even if it is severely damaged or is completely worn out.** The battery cartridge can explode in a fire.
1. **Charge the battery cartridge before completely discharged.** Always stop tool operation and charge the battery cartridge when you notice less tool power.
2. **Never recharge a fully charged battery cartridge.** Overcharging shortens the battery service life.

3. Charge the battery cartridge with room temperature at 10 °C - 40 °C (50 °F - 104 °F). Let a hot battery cartridge cool down before charging it.
4. When not using the battery cartridge, remove it from the tool or the charger.
5. Charge the battery cartridge if you do not use it for a long period (more than six months).

## PARTS DESCRIPTION

### Model DVC150L

(Cloth filter (for dry and wet dust) model)

- **Fig.1:** 1. Tank cover 2. Float 3. Float cage 4. Cloth filter 5. Tank

### Model DVC151L

(Powder filter (for dry dust) model)

- **Fig.2:** 1. Tank cover 2. Powder filter (HEPA) 3. Damper 4. Prefilter 5. Tank

## FUNCTIONAL DESCRIPTION

### Use with AC power:

**⚠ WARNING:** Before plugging the cleaner, always make sure that the cleaner is switched off. Plugging the cleaner with the switch on may cause an unexpected start resulting in serious personal injury.

Connect the plug to a power supply.

- **Fig.3:** 1. Plug (the shape and cord length may differ from country to country)

The AC power indicator lights up when setting the stand-by switch to "I" side.

- **Fig.4:** 1. AC power indicator

**NOTE:** Even operating in DC power mode, the cleaner is automatically changed into AC power mode when plugged in.

**NOTE:** If the cleaner is unplugged during operation with the battery inserted, the cleaner gets into stand-by state.

### Use with battery:

**⚠ CAUTION:** Always be sure that the cleaner is switched off, unplugged, and the battery cartridge is removed before adjusting or checking function on the cleaner.

## Installing or removing battery cartridge

**⚠ CAUTION:** Always switch off the tool before installing or removing of the battery cartridge.

**⚠ CAUTION:** Hold the cleaner and the battery cartridge firmly when installing or removing battery cartridge. Failure to hold the cleaner and the battery cartridge firmly may cause them to slip off your hands and result in damage to the cleaner and battery cartridge and a personal injury.

**⚠ CAUTION:** Be careful not to pinch your fingers when opening or closing the battery cover. Failure to do so may cause personal injury.

To install the battery cartridge, release the lock first, and then open the battery cover. After that, insert the battery cartridge.

- **Fig.5:** 1. Lock 2. Battery cover

Align the tongue on the battery cartridge with the groove in the housing and slip it into place. Insert it all the way until it locks in place with a little click. Then lock the battery cover.

- **Fig.6:** 1. Battery cartridge

To remove the battery cartridge, slide it from the tool while sliding the button in front of the cartridge.

**⚠ CAUTION:** Always install the battery cartridge fully until the red indicator cannot be seen. If not, it may accidentally fall out of the cleaner, causing injury to you or someone around you.

**⚠ CAUTION:** Do not install the battery cartridge forcibly. If the cartridge does not slide in easily, it is not being inserted correctly.

**NOTE:** The cleaner does not work with only one battery cartridge.

**NOTE:** Remove the plug of the cleaner from the extension cord when using the cleaner with the batteries.

## Indicating the remaining battery capacity

Only for battery cartridges with the indicator

► Fig.7: 1. Indicator lamps 2. Check button

Press the check button on the battery cartridge to indicate the remaining battery capacity. The indicator lamps light up for a few seconds.

Indicator lamps			Remaining capacity
Lighted	Off	Blinking	
■	□	▧	75% to 100%
■ ■ ■ ■			
■	□	▧	50% to 75%
■ ■ ■ □			
■	□	▧	25% to 50%
■ ■ □ □			
■	□	▧	0% to 25%
■ □ □ □			
▧	□	□	Charge the battery.
■ ■ □ □			The battery may have malfunctioned.
□ □ ■ ■			

**NOTE:** Depending on the conditions of use and the ambient temperature, the indication may differ slightly from the actual capacity.





**NOTE:** The first (far left) indicator lamp will blink when the battery protection system works.

## Indicating the remaining battery capacity

► Fig.8: 1. Battery indicator 2. Check button

► Fig.9

Press the check button to indicate the remaining battery capacities. The battery indicators correspond to each battery.

Battery indicator status			Remaining battery capacity
On	Off	Blinking	
■	□	▧	50% to 100%
			
■	□	▧	20% to 50%
			
■	□	▧	0% to 20%
			
▧	□	□	Charge the battery
			

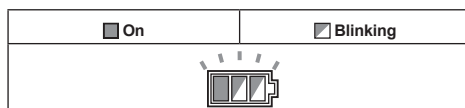
## Tool / battery protection system

The tool is equipped with a tool/battery protection system. This system automatically cuts off power to the motor to extend tool and battery life. The tool will automatically stop during operation if the tool or battery is placed under one of the following conditions:

### Overload protection

When the tool is operated in a manner that causes it to draw an abnormally high current, the tool automatically stops without any indication. In this situation, turn the tool off and stop the application that caused the tool to become overloaded. Then turn the tool on to restart.

### Overheat protection



When the tool is overheated, the tool stops automatically, and the battery indicator blinks about 60 seconds. In this situation, let the tool cool down before turning the tool on again.

### Overdischarge protection

When the battery capacity becomes low, the tool stops automatically. If the product does not operate even when the switches are operated, remove the batteries from the tool and charge the batteries.

## Switch action

► Fig.10: 1. Stand-by switch 2. Power button 3. Suction force adjusting knob

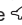

To start the cleaner:

1. Set the stand-by switch to the "I" side. The cleaner gets into stand-by state.
2. Press the power button.

To make the cleaner get into stand-by mode, press the power button again.

To turn off the cleaner, set the stand-by switch to the "O" side.

The suction power can be adjusted according to your work need.

Suction power can be increased by turning the suction force adjusting knob from the  symbol to the  symbol.

**NOTICE:** Always set the stand-by switch to the "O" side when not using the cleaner for long time. The cleaner consumes power during stand-by state.

## Auto-suction stop during wet suction operation

*Only for the cloth filter model*

**⚠ WARNING:** Do not use for a long time while the float is at work. Using the cleaner with its float at work for a long time can cause overheat, resulting in the cleaner deformation.

**⚠ WARNING:** Do not pick up foam or soapy liquid. Picking up foam or soapy liquid can cause foam to come out of air exit before the float works. Continuing to using in this condition may cause an electric shock and breakage of the cleaner.

Auto-suction stop works only when using with the float and float cage.

The cleaner has a float mechanism that prevents water from immersing into the motor when picking up more than a certain amount of water. When the tank is full and the cleaner no longer picks up water, switch off the cleaner and empty the tank.

## Locking or unlocking the caster

► **Fig.11:** 1. Caster 2. Stopper lever 3. FREE position 4. LOCK position

Locking the caster is convenient when storing the cleaner, stopping the work on the way and keeping the cleaner still.

To operate the stopper, move it by hand.

To lock the caster with a stopper, lower the stopper lever and the caster no longer will rotate. To release the caster from the locked position, raise the stopper lever.

**NOTE:** When moving the cleaner, make sure that the caster is unlocked. Moving the cleaner with the caster in the locked position may cause damage to the caster.

## Carriage handle

When carrying the cleaner, carry it by holding the handle on the head. The handle is retractable at the head when not in use.

► **Fig.12**

## ASSEMBLY

**⚠ CAUTION:** Always be sure that the cleaner is switched off, unplugged, and the battery cartridge is removed before carrying out any work on the cleaner.

**⚠ CAUTION:** Always wear dust mask during assembly or maintenance.

## Installing the powder filter (HEPA) and prefilter (for dry dust)

*Optional accessory for cloth filter model*

**⚠ CAUTION:** Never pick up water or other liquids or wet dusts when using the powder filter. Picking up such things may cause the powder filter breakage.

To use powder filter:

1. Remove the float cage and float by removing the bolts.

► **Fig.13:** 1. Float 2. Float cage

2. Place the prefilter in the tank with aligning the mounting position markings.

3. Mount the damper on the powder filter and then place them in the prefilter with aligning the mounting position markings.

4. Finally, mount the tank cover and lock it.

► **Fig.14:** 1. Tank cover 2. Powder filter (HEPA) 3. Damper 4. Prefilter 5. Tank 6. Mounting position marking

**NOTICE:** Before using the powder filter, make sure that prefilter and damper are always used together. It is not allowed to install powder filter solely.

## Installing the water filter

*Optional accessory for cloth filter model*

**⚠ CAUTION:** Never pick up water or wet dust without the float and the cloth filter or the water filter.

**⚠ CAUTION:** For picking up wet dust, make sure that the float cage and the float are installed on the cleaner.

**⚠ CAUTION:** When installing the water filter on the tank, set it tight at the opening of the tank so that the hook of the water filter engages the tank opening firmly and there is no space between the water filter and the tank.

To pick up water or wet dust only, the water filter is more suitable than the cloth filter.

When installing the water filter, align its mounting position mark with the one on the tank.

► **Fig.15:** 1. Water filter 2. Tank 3. Mounting position marking

**NOTE:** It is recommended using water filter when picking up large amount of water repeatedly. Otherwise vacuum ability may be reduced in case of cloth filter.

## Installing the paper pack

### Optional accessory

**⚠WARNING:** When using the paper pack, also use the cloth filter or prefilter together that is preinstalled on the cleaner. Failure to use the cloth filter / prefilter together may cause unusual noise and heat, resulting in a fire.

**⚠CAUTION:** (For the cloth filter model)

- **Never pick up water or other liquids or wet dusts when using the paper pack.** Picking up such things may cause the paper pack breakage.
- **Before using the paper pack, make sure that powder filter (optional accessory), damper (optional accessory) and prefilter are always used together.**

**⚠CAUTION:** (For the powder filter model)

- **Before using the paper pack, make sure that powder filter, damper and prefilter are always used together.**

1. Remove the rubber holder.  
▶ **Fig.16:** 1. Rubber holder
2. Extend the paper pack.
3. Align the paper pack opening with the dust suction opening of the cleaner.
4. Insert the cardboard of the paper pack onto the holder so that it is positioned at the end beyond the detent protrusion.  
▶ **Fig.17:** 1. Paper pack 2. Holder

## Installing the polyethylene bag

Cleaner can also be used without polyethylene bag. However, using polyethylene bag is easier to empty the tank without letting your hands dirty.

Spread the polyethylene bag in the tank. Insert it between the holder plate and the tank, and pull it to the hose inlet.

▶ **Fig.18:** 1. Holder plate 2. Polyethylene bag

Spread the bag around the top of the tank so that the cloth filter / prefilter edge can catch and hold the bag securely.

▶ **Fig.19:** 1. Cloth filter / prefilter

**NOTE:** A polyethylene bag available on the market can be used. 0.04 mm or thicker one is recommended.

**NOTE:** Too much dust will tear the bag easily, so do not collect the dust more than the half of the bag capacity.

## Emptying the polyethylene bag

**⚠WARNING:** Always make sure that the cleaner is switched off, unplugged, and the battery cartridge is removed before emptying the polyethylene bag. Failure to do so may cause an electric shock and serious personal injury.

**⚠CAUTION:** Do not apply a great impact on the float cage and tank. Applying a great impact may cause deformation and damage to the parts.

**⚠CAUTION:** Empty the tank at least once a day although this depends on picked-up dust volume in the tank. Or, the suction force will weaken and the motor may be broken.

**⚠CAUTION:** Do not grab the hook when emptying the tank. Grabbing the hook may cause the hook to break.

Unhook and lift up the tank cover.

Shake off the dust from the cloth filter / prefilter and then take the polyethylene bag out of the tank.

▶ **Fig.20**

**NOTE:** Take the polyethylene bag carefully out of the tank so that the polyethylene bag cannot be caught and torn by the protrusion inside the tank when emptying it.

**NOTE:** Empty the polyethylene bag before it becomes full. Too much dust in the tank may cause the polyethylene bag to be torn.

## Installing the tool box

1. Release the lock of the battery cover, and open the battery cover.
2. Set the rails on the tool box along the grooves on the housing.
3. Close the battery cover and apply the lock.  
▶ **Fig.21**

The tool box is convenient for carrying batteries, extension code, pipe, or cuffs.

▶ **Fig.22**

## Connecting the hose

**NOTICE:** Never force the hose for bending or stamp it. Never move the cleaner by a hose. Forcing, stamping and pulling the hose may cause a breakage or deformation of the hose.

**NOTICE:** When picking up large wastes such as planer carvings, concrete dusts or similar other than small wastes, use the 38 mm inner diameter hose (optional accessory). Using the 28 mm inner diameter hose (optional accessory) may cause a hose stuffing and damage.

Insert the hose onto the mounting port of the tank and turn it clockwise until it locks.

▶ **Fig.23**

## MAINTENANCE

**⚠ CAUTION:** Always be sure that the cleaner is switched off, unplugged, and the battery cartridge is removed before attempting to perform inspection or maintenance.

**NOTICE:** Never use gasoline, benzine, thinner, alcohol or the like. Discoloration, deformation or cracks may result.

To maintain product SAFETY and RELIABILITY, repairs, any other maintenance or adjustment should be performed by Makita Authorized or Factory Service Centers, always using Makita replacement parts.

### Storage of power supply cord

You can wind up the power supply cord around the tool box.

► Fig.24

### Storage of accessories

The pipes can be placed into the pipe holder when not using the cleaner for a short time.

► Fig.25

► Fig.26

The hose can be stored around the tool by connecting each ends.

► Fig.27

### Cleaning of cloth filter

*Only for the cloth filter model*

Clogged cloth filter causes poor suction performance. Clean out the cloth filter from time to time.

To remove dust or particles adhering to the cloth filter, shake the frame bottom quickly several times.

► Fig.28: 1. Cloth filter

### Cleaning of powder filter (HEPA) and prefilter

*Only for the powder filter model*

Clogged powder filter, prefilter and damper cause poor suction performance. Clean out the filters and dampers from time to time.

To remove dust or particles adhering to the filters, shake the frame bottom quickly several times.

► Fig.29

Occasionally wash the powder filter in water, rinse and dry thoroughly in the shade before use. Never wash filters in a washing machine.

**NOTE:** Do not rub or scratch the powder filter, the prefilter or the damper with hard objects such as a brush and a paddle.

**NOTE:** The filters wear out in course of time. It is recommended to have some spares for them.

## OPTIONAL ACCESSORIES

**⚠ CAUTION:** These accessories or attachments are recommended for use with your Makita tool specified in this manual. The use of any other accessories or attachments might present a risk of injury to persons. Only use accessory or attachment for its stated purpose.

If you need any assistance for more details regarding these accessories, ask your local Makita Service Center.

- Hose
- Front cuff (22, 24, 38)
- Straight pipe
- Corner nozzle
- Round brush
- Powder filter, HEPA (for dry dust)
- Damper
- Prefilter
- Nozzle assembly
- Bent pipe
- Polyethylene bag
- Paper pack
- Holder set
- Water Filter (option for the cloth filter model)
- Makita genuine battery and charger

**NOTE:** Some items in the list may be included in the tool package as standard accessories. They may differ from country to country.

## PERINGATAN

- Pengisap ini tidak dimaksudkan untuk digunakan oleh orang termasuk anak-anak dengan kemampuan fisik, indra, atau mental terbatas atau orang yang tidak berpengalaman.
- Awasi anak-anak untuk memastikan mereka tidak bermain-main dengan pembersih ini.
- Jika kabel daya rusak, penggantian harus dilakukan oleh fasilitas layanan resmi.
- Lihat bagian "SPESIFIKASI" untuk mengetahui referensi tipe baterai.
- Lihat bagian "Memasang atau melepas kartrid baterai" untuk mengetahui cara mengganti atau memasang baterai.
- Ketika membuang kartrid baterai, lepaskan dari mesin dan buang ke tempat yang aman. Patuhi peraturan setempat yang berkaitan dengan pembuangan baterai.
- Jika mesin tidak digunakan dalam jangka waktu yang lama, baterai harus dilepas dari mesin.
- Jangan menghubungkan terminal kartrid baterai.
- Lihat bagian "PEMELIHARAAN" untuk mengetahui detail tindakan pencegahan yang sesuai selama perawatan oleh pengguna.

## SPESIFIKASI

Model:		DVC150L	DVC151L
Tipe saringan standar		Saringan kain (untuk debu kering dan basah)	Saringan serbuk (untuk debu kering)
Aliran volume (udara)	Operasi DC (dengan BL1850B, selang ø38 mm x 2,5 m)	2,1 m <sup>3</sup> /min	
	Operasi AC (dengan selang ø38 mm x 2,5 m)	3,6 m <sup>3</sup> /min	
Pengisap	Operasi DC (dengan BL1850B, selang ø38 mm x 2,5 m)	9,0 kPa	
	Operasi AC (dengan selang ø38 mm x 2,5 m)	24,0 kPa	
Kapasitas yang dapat dipulihkan	Debu	15 L	
	Air	12 L	-
Dimensi (P x L x T)		366 mm x 334 mm x 421 mm	
Nilai listrik dengan operasi AC		Bergantung masing-masing negara. Silakan baca pelat nama.	
Tegangan terukur dengan operasi baterai		D.C. 36 V	
Berat bersih		8,9 - 9,6 kg	9,6 - 10,3 kg
Derajat perlindungan		IPX4	
Kelas keamanan		II/III	

- Karena kesinambungan program penelitian dan pengembangan kami, spesifikasi yang disebutkan di sini dapat berubah tanpa pemberitahuan.
- Spesifikasi dan kartrid baterai dapat berbeda dari satu negara ke negara lainnya.
- Berat tidak termasuk aksesoris selain kartrid baterai. Berat gabungan paling ringan dan paling berat dari peralatan dan kartrid baterai ditampilkan dalam tabel.
- Untuk debu basah, dibutuhkan float dan saringan air atau saringan kain.

# Kartrid dan pengisi daya baterai yang dapat digunakan








Kartrid baterai	BL1815N / BL1820B / BL1830B / BL1840B / BL1850B / BL1860B
Pengisi daya	DC18RC / DC18RD / DC18RE / DC18SD / DC18SE / DC18SF / DC18SH

- Beberapa kartrid baterai dan pengisi daya yang tercantum di atas mungkin tidak tersedia, tergantung wilayah tempat tinggal Anda.

**⚠️ PERINGATAN:** Hanya gunakan kartrid dan pengisi daya baterai yang tercantum di atas. Penggunaan kartrid dan pengisi daya baterai lain dapat menimbulkan risiko cedera dan/atau kebakaran.

## Simbol

Berikut ini adalah simbol-simbol yang dapat digunakan pada peralatan ini. Pastikan Anda memahami arti masing-masing simbol sebelum menggunakan peralatan.

	Baca petunjuk penggunaan.
	Berhati-hatilah dan pusatkan perhatian Anda.
	Peringatan! Mesin mungkin mengandung debu berbahaya.
	Dilarang berdiri di atas mesin.
	Debu kelas L (ringan). Mesin dapat mengisap debu kelas L. Ikuti peraturan negara Anda terkait dengan debu dan kesehatan dan keselamatan kerja.
	ISOLASI GANDA
	Hanya untuk negara-negara UE Akibat adanya komponen berbahaya dalam peralatan, limbah peralatan listrik dan elektronik, aki dan baterai dapat memiliki dampak negatif pada lingkungan dan kesehatan manusia. Jangan buang peralatan listrik dan elektronik atau baterai bersama limbah rumah tangga! Sesuai dengan Petunjuk Eropa tentang limbah peralatan listrik dan elektronik dan tentang aki dan baterai serta limbahnya terhadap undang-undang nasional, limbah peralatan listrik, baterai dan aki harus disimpan secara terpisah dan dikirim ke tempat pengumpulan terpisah untuk sampah kota, beroperasi sesuai dengan peraturan tentang perlindungan lingkungan. Hal ini ditunjukkan dengan simbol tempat sampah bersilang yang ditempatkan pada peralatan.

## Penggunaan

Pengisap ini sesuai untuk penggunaan komersial, contohnya di hotel, sekolah, rumah sakit, pabrik, toko, kantor, dan bisnis rental.

**DVC150L**  
Mesin ini digunakan untuk mengisap debu basah dan kering.

**DVC151L**  
Tujuan penggunaan mesin ini hanya untuk membersihkan debu kering.

## Pasokan daya

Mesin harus terhubung dengan pasokan daya listrik yang bervoltase sama dengan yang tertera pada pelat nama, dan hanya dapat dijalankan dengan listrik AC fase tunggal. Mesin diisolasi ganda dan oleh sebab itu dapat dihubungkan dengan soket tanpa kabel.

# PERINGATAN KESELAMATAN

## Peringatan keselamatan pengisap debu tanpa kabel dan dengan kabel

**⚠️ PERINGATAN:** PENTING BACALAH semua peringatan keselamatan dan semua petunjuk SEBELUM MENGGUNAKAN DENGAN SAKSAMA. Kelalaian mematuhi peringatan dan petunjuk dapat menyebabkan sengatan listrik, kebakaran, dan/atau cedera serius.

1. **Sebelum penggunaan, pastikan pengisap digunakan oleh orang yang telah memahami petunjuk penggunaan pengisap ini.**
2. **Sebelum penggunaan, operator harus mendapatkan informasi, instruksi, dan pelatihan untuk penggunaan mesin dan bahan-bahan yang akan digunakan, termasuk metode yang aman untuk pembersihan dan pembuangan material terkumpul.**
3. **Jika keluar busa/cairan, segera matikan.**
4. **Bersihkan alat pembatas ketinggian air secara rutin dan periksa jika ada tanda-tanda kerusakan.**
5. **Jangan menggunakan pengisap tanpa saringan. Segera ganti saringan yang rusak.**



6. **PENGUNAAN KABEL EKSTENSI.** Bila menggunakan kabel ekstensi karena jarak dari sumber daya terlalu jauh, gunakan kabel yang cukup tebal namun tidak terlalu panjang agar tidak memengaruhi kinerja pengisap. Untuk pekerjaan di luar ruangan, gunakan kabel ekstensi yang sesuai dengan penggunaan di luar ruangan.
7. **PERINGATAN TEGANGAN LISTRIK:** Sebelum menghubungkan pengisap ke sumber daya (stopkontak tiga-kutub, stopkontak dinding, dsb.), pastikan tegangan tersedia sama dengan yang tercantum pada pelat nama pengisap. Sumber daya dengan tegangan melebihi tegangan yang ditentukan untuk pengisap dapat mengakibatkan CEDERA SERIUS pada operator serta kerusakan pengisap. Jika merasa ragu, **JANGAN MEMASANG STEKER PENGISAP KE STOPKONTAK.** Menggunakan sumber daya dengan tegangan yang kurang dari tegangan terukur pada pelat nama bisa merusak motor.
8. **HINDARI PENYALAAAN YANG TIDAK DISENGAJA.** Pastikan sakelar dalam kondisi MATI saat memasukkan steker.
9. Jangan gunakan untuk membersihkan bahan yang mudah terbakar, kembang api, rokok menyala, abu panas, serpihan logam panas, benda tajam seperti pisau cukur, jarum, pecahan kaca, atau sejenisnya.
10. **JANGAN GUNAKAN PENGISAP DI DEKAT BENSIN, GAS, CAT, PEREKAT, ATAU BAHAN LAINNYA YANG MUDAH MELEDAK.** Sakelar memercikan api saat dinyalakan dan dimatikan. Begitu pula komutator motor saat pengoperasian. Dapat terjadi ledakan.
11. Jangan gunakan untuk membersihkan bahan beracun, karsinogenik, mudah terbakar, atau bahan berbahaya lain seperti asbes, arsenik, barium, berilium, timbal, pestisida, atau bahan lain yang berbahaya bagi kesehatan.
12. Selalu letakkan pengisap pada permukaan rata horizontal untuk mencegahnya terjatuh atau bergerak tanpa disengaja.
13. Jangan pernah gunakan pengisap di luar ruangan saat hujan.
14. Di Finlandia, mesin ini tidak digunakan di luar ruangan pada suhu rendah.
15. Jangan gunakan di dekat sumber panas (kompor, dsb.).
16. Jika udara pembuangan kembali ke ruangan, perlu disediakan laju pergantian udara yang memadai di dalam ruangan. Rujukan ke regulasi Nasional diperlukan.
17. **PELINDUNGAN TERHADAP SENGATAN LISTRIK.** Hindari sentuhan tubuh dengan permukaan berarde. Misalnya; pipa, radiator, kompor, penutup kulkas.
18. Jangan menghalangi ventilasi pendingin. Ventilasi ini berfungsi mendinginkan motor. Jangan sampai terhalang karena motor dapat terbakar akibat kekurangan ventilasi.
19. Selalu jaga pijakan dan keseimbangan yang tepat.
20. **JANGAN MENYALAHGUNAKAN KABEL.** Jangan sekali-kali membawa pengisap dengan memegang kabelnya atau menarik kabel untuk melepaskannya dari stopkontak. Jauhkan kabel dari panas, minyak, dan tepian tajam. Periksa kabel pengisap secara berkala dan jika rusak, perbaiki oleh fasilitas layanan resmi. Periksa kabel ekstensi secara berkala dan ganti jika rusak.
21. Jangan menekuk, menarik, atau menginjak kabel.
22. Segera hentikan pengisap jika kinerjanya buruk atau terjadi hal yang tidak wajar selama pengoperasian.
23. **LEPAS SAMBUNGAN PENGISAP DARI SUMBER LISTRIK.** Saat tidak digunakan, sebelum diperbaiki, dan saat mengganti aksesori.
24. Bersihkan dan rawat pengisap segera setelah selesai digunakan untuk menjaganya tetap dalam kondisi operasi yang prima.
25. **RAWATLAH PENGISAP DENGAN BAIK.** Jaga agar pengisap tetap bersih untuk mendapatkan kinerja yang lebih baik dan aman. Ikuti petunjuk saat mengganti aksesori. Jagalah agar gagang kering, bersih, serta bebas dari minyak dan gemuk.
26. **PERIKSA BAGIAN YANG RUSAK.** Sebelum terus menggunakan pengisap, pelindung dan bagian lainnya yang rusak harus diperiksa secara cermat untuk menentukan apakah pengisap akan bekerja dengan baik dan berfungsi sesuai yang diharapkan. Periksa kesejajaran bagian yang berputar, macetnya gerakan bagian yang berputar, kerusakan komponen, kondisi pemasangan dan hal lain yang dapat memengaruhi kerja pengisap. Pelindung atau bagian lain yang rusak harus diperbaiki dengan benar atau diganti oleh pusat layanan resmi kecuali jika diindikasikan lain dalam petunjuk penggunaan ini. Ganti sakelar-sakelar yang rusak oleh pusat layanan resmi. Jangan gunakan pengisap jika sakelar tidak dapat menyalakan dan mematikan pengisap.
27. Untuk pemberian layanan pengguna, mesin harus dibongkar, dibersihkan dan diservis, sejauh dapat dilakukan secara wajar, tanpa menimbulkan risiko bagi staf pemeliharaan dan orang lain.
28. Mesin harus diperiksa secara teknis oleh produsen, atau seorang ahli, setidaknya setiap tahun, yang terdiri atas, misalnya, pemeriksaan kerusakan saringan, kekedapan udara mesin, dan fungsi mekanisme kontrol yang tepat.
29. Saat melakukan servis atau operasi perbaikan, semua item terkontaminasi yang tidak dapat dibersihkan dengan sempurna harus dibuang; item tersebut harus dibuang dalam kantong rapat kedap air sesuai dengan peraturan terkini untuk pembuangan limbah tersebut.
30. **SUKU CADANG PENGGANTI.** Saat melakukan perbaikan, gunakan hanya suku cadang pengganti yang serupa.

31. **SIMPAN PENGISAP SAAT TIDAK DIGUNAKAN.** Saat tidak digunakan, pengisap harus disimpan dalam ruangan.
32. Saringan yang basah dan komponen interior wadah cairan harus dikeringkan sebelum disimpan.
33. Tangani pengisap dengan hati-hati. Penanganan yang kasar dapat menyebabkan kerusakan pada pengisap paling kokoh sekalipun.
34. Jangan bersihkan bagian luar pengisap dengan benzena, tiner, atau bahan kimia pembersih. Penggunaan bahan tersebut dapat menimbulkan keretakan dan perubahan warna.
35. Jangan gunakan pengisap di ruangan tertutup yang terdapat uap yang mudah terbakar, mudah meledak, atau beracun yang berasal dari cat berbau dasar minyak, tiner cat, bensin, bahan antirayap, dsb. atau di area di mana terdapat debu yang mudah terbakar.
36. Jangan biarkan kabel pengisap berserakan di lantai setelah selesai melakukan pembersihan. Hal tersebut dapat menimbulkan bahaya tersandung atau menyebabkan kerusakan pada pengisap.
37. Jangan mengoperasikan mesin ini atau alat lainnya saat berada dalam pengaruh obat atau alkohol.
38. Sesuai aturan dasar keselamatan, gunakan kacamata pengaman dengan pelindung samping.
39. Gunakan masker debu dalam kondisi kerja yang berdebu.
40. Pengisap ini tidak dimaksudkan untuk digunakan oleh orang termasuk anak-anak dengan kemampuan fisik, indra, atau mental terbatas atau orang yang tidak berpengalaman.
41. Awasi anak-anak untuk memastikan mereka tidak bermain-main dengan pembersih ini.
42. Dilarang memegang kabel steker atau pengisap dengan tangan yang basah.
43. Berhati-hatilah saat membersihkan tangga.
44. Jangan gunakan pengisap sebagai tempat duduk atau meja kerja. Pengisap dapat jatuh dan menyebabkan cedera.

#### **Penggunaan dan pemeliharaan mesin bertenaga baterai**

1. Isi ulang baterai hanya dengan pengisi daya yang ditentukan oleh pabrikan. Pengisi daya yang cocok untuk satu jenis paket baterai dapat menimbulkan risiko kebakaran ketika digunakan untuk paket baterai yang lain.
2. Gunakan mesin listrik hanya dengan paket baterai yang telah ditentukan secara khusus. Penggunaan paket baterai lain dapat menimbulkan risiko cedera dan kebakaran.
3. Ketika paket baterai tidak digunakan, jauhkan dari benda logam lain, seperti penjepit kertas, uang logam, kunci, paku, sekrup atau benda logam kecil lainnya, yang dapat menghubungkan satu terminal ke terminal lain. Hubungan singkat terminal baterai dapat menyebabkan luka bakar atau kebakaran.

4. Pemakaian yang salah, dapat menyebabkan keluarnya cairan dari baterai; hindari kontak. Jika terjadi kontak secara tidak sengaja, bilas dengan air. Jika cairan mengenai mata, cari bantuan medis. Cairan yang keluar dari baterai bisa menyebabkan iritasi atau luka bakar.
5. **Jangan menggunakan paket baterai atau mesin yang sudah rusak atau telah diubah.** Baterai yang rusak atau telah diubah dapat menyebabkan hal-hal yang tidak dapat diprediksi yang dapat menyebabkan kebakaran, ledakan atau risiko cedera.
6. **Jangan membiarkan paket baterai atau mesin dekat dengan api atau suhu yang berlebihan.** Paparan api atau suhu di atas 130 °C dapat menyebabkan ledakan.
7. Ikuti semua petunjuk pengisian daya dan jangan mengisi daya paket baterai atau mesin di luar rentang suhu yang ditentukan di panduan. Mengisi daya secara tidak tepat atau pada suhu di luar rentang yang ditentukan dapat merusak baterai dan meningkatkan risiko kebakaran.

### **SIMPAN PETUNJUK INI.**

**⚠️ PERINGATAN:** JANGAN biarkan kenyamanan atau terbiasanya Anda dengan produk (karena penggunaan berulang) mengurangi kepatuhan yang ketat terhadap aturan keselamatan untuk produk yang terkait. **PENYALAHGUNAAN** atau kelalaian mematuhi kaidah keselamatan yang tertera dalam petunjuk ini dapat menyebabkan cedera badan serius.

### **Petunjuk keselamatan penting untuk kartrid baterai**

1. Sebelum menggunakan kartrid baterai, bacalah semua petunjuk dan penandaan pada (1) pengisi daya baterai, (2) baterai, dan (3) produk yang menggunakan baterai.
2. Jangan membongkar atau memodifikasi kartrid baterai. Tindakan tersebut dapat menimbulkan api, panas berlebih, atau ledakan.
3. Jika waktu beroperasinya menjadi sangat singkat, segera hentikan penggunaan. Hal tersebut dapat menimbulkan risiko panas berlebih, kemungkinan mengalami luka bakar atau bahkan terjadi ledakan.
4. Jika elektrolit mengenai mata Anda, basuh dengan air bersih dan segera cari pertolongan medis. Hal tersebut dapat mengakibatkan hilangnya kemampuan penglihatan Anda.
5. Jangan menghubungkan terminal kartrid baterai:
  - (1) Jangan menyentuh terminal dengan bahan penghantar listrik apa pun.
  - (2) Hindari menyimpan kartrid baterai pada wadah yang berisi benda logam lain seperti paku, uang logam, dsb.

- (3) Jangan membiarkan baterai terkena air atau kehujanan. Hubungan singkat baterai dapat menyebabkan aliran arus listrik yang besar, panas berlebih, kemungkinan mengalami luka bakar dan bahkan kerusakan pada baterai.
6. Jangan menyimpan dan menggunakan mesin dan kartrid baterai pada lokasi dengan suhu yang bisa mencapai atau melebihi 50 °C (122 °F).
7. Jangan membuang kartrid baterai di tempat pembakaran sampah walaupun benar-benar rusak atau tidak bisa digunakan sama sekali. Kartrid baterai bisa meledak jika terbakar.
8. Jangan memaku, memotong, menghancurkan, melempar, menjatuhkan kartrid baterai, atau memukul benda keras ke kartrid baterai. Tindakan tersebut dapat menimbulkan api, panas berlebih, atau ledakan.
9. Jangan menggunakan baterai yang rusak.
10. **Baterai litium-ion yang disertakan sesuai dengan persyaratan Perundangan Makanan Berbahaya.** Harus ada pengawasan untuk pengangkutan komersial misalnya oleh pihak ketiga, ekspediter, persyaratan khusus terhadap pengemasan dan pelabelan. Diperlukan adanya konsultasi dengan ahli mengenai material berbahaya untuk persiapan barang yang akan dikirimkan. Perhatikan pula peraturan nasional yang lebih terperinci yang mungkin ada. Beri perekat atau tutupi bagian yang terbuka dan kemasi baterai dengan cara yang tidak akan menimbulkan pergeseran dalam pengemasan.
11. **Ketika membuang kartrid baterai, lepaskan dari mesin dan buang ke tempat yang aman. Patuhi peraturan setempat yang berkaitan dengan pembuangan baterai.**
12. **Gunakan baterai hanya dengan produk yang ditentukan oleh Makita.** Memasang baterai pada produk yang tidak sesuai dapat menyebabkan kebakaran, kelebihan panas, ledakan, atau kebocoran elektrolit.
13. **Jika mesin tidak digunakan dalam jangka waktu yang lama, baterai harus dilepas dari mesin.**
14. **Selama dan setelah digunakan, kartrid baterai mungkin menyimpan panas yang dapat menyebabkan luka bakar atau luka bakar suhu rendah. Perhatikan cara memegang kartrid baterai yang masih panas.**
15. **Jangan langsung menyentuh terminal mesin setelah digunakan karena suhunya mungkin cukup panas untuk menyebabkan luka bakar.**
16. **Jangan biarkan serpihan, debu, atau tanah menempel di terminal, lubang, dan alur kartrid baterai.** Hal tersebut dapat mengakibatkan kinerja buruk atau kerusakan mesin maupun kartrid baterai.

17. **Kecuali jika mesin mendukung penggunaan di dekat saluran listrik bertegangan tinggi, jangan gunakan kartrid baterai di dekat saluran listrik bertegangan tinggi.** Hal tersebut dapat mengakibatkan kegagalan fungsi atau kerusakan mesin maupun kartrid baterai.
18. **Jauhkan baterai dari jangkauan anak-anak.**

## SIMPAN PETUNJUK INI.

**PERHATIAN:** Gunakan baterai asli Makita. Penggunaan baterai Makita yang tidak asli, atau baterai yang sudah diubah, akan mengakibatkan baterai mudah terbakar, cedera dan kerusakan. Akan menghilangkan garansi Makita pada pengisi daya dan alat Makita.

## Tip untuk menjaga agar umur pemakaian baterai maksimum

1. **Isi ulang kartrid baterai sebelum habis sama sekali.** Selalu hentikan penggunaan mesin dan ganti kartrid baterai jika Anda melihat bahwa mesin kurang tenaga.
2. **Jangan pernah mengisi ulang kartrid baterai yang sudah diisi penuh.** Pengisian ulang yang berlebih memperpendek umur pemakaian baterai.
3. **Isi ulang kartrid baterai pada suhu ruangan 10 °C - 40 °C.** Biarkan kartrid baterai yang panas menjadi dingin terlebih dahulu sebelum diisi ulang.
4. **Saat kartrid baterai tidak digunakan, lepaskan dari mesin atau pengisi daya.**
5. **Isi ulang daya kartrid baterai jika Anda tidak menggunakannya untuk jangka waktu yang lama (lebih dari enam bulan).**

## DESKRIPSI KOMPONEN MESIN

### Model DVC150L

(Model saringan kain (untuk debu kering dan basah))

- **Gbr.1:** 1. Tutup tangki 2. Float 3. Rangka float 4. Saringan kain 5. Tangki

### Model DVC151L

(Model saringan serbuk (untuk debu kering))

- **Gbr.2:** 1. Tutup tangki 2. Filter serbuk (HEPA) 3. Peredam 4. Pra-saringan 5. Tangki

# DESKRIPSI FUNGSI

## Penggunaan dengan daya AC:

**⚠️PERINGATAN:** Sebelum memasukkan steker, selalu pastikan pengisap dalam keadaan mati. Memasukkan steker pengisap dengan sakelar dalam posisi menyala dapat menyebabkan pengisap menyala secara tiba-tiba sehingga mengakibatkan cedera serius.

Hubungkan steker pada suplai daya.

► **Gbr.3:** 1. Steker (bentuk dan panjang kabel di tiap negara mungkin berbeda)

Indikator daya AC akan berkedip ketika pengaturan sakelar siaga diatur ke sisi "I".

► **Gbr.4:** 1. Indikator daya AC

**CATATAN:** Meskipun beroperasi dalam mode daya DC, pembersih akan secara otomatis diubah menjadi mode daya AC ketika steker dihubungkan.

**CATATAN:** Jika pembersih dicabut stekernya selama pengoperasian dengan baterai yang dimasukkan, pembersih akan masuk ke status siaga.

## Penggunaan dengan baterai:

**⚠️PERHATIAN:** Selalu pastikan bahwa pembersih dimatikan, dicabut stekernya, dan kartrid baterai dilepas sebelum menyatel atau memeriksa fungsi pembersih.

## Memasang atau melepas baterai

**⚠️PERHATIAN:** Selalu matikan mesin sebelum memasang atau melepas kartrid baterai.

**⚠️PERHATIAN:** Pegang pembersih dan kartrid baterai kuat-kuat saat memasang atau melepas kartrid baterai. Kelalaian untuk memegang pembersih dan kartrid baterai kuat-kuat bisa menyebabkan keduanya tergelincir dari tangan Anda dan mengakibatkan kerusakan pada pembersih dan kartrid baterai serta menyebabkan cedera.

**⚠️PERHATIAN:** Berhati-hatilah agar jari Anda tidak terjepit saat membuka atau menutup tutup baterai. Kelalaian dalam melakukannya dapat menyebabkan cedera pribadi.

Untuk memasang kartrid baterai, lepaskan kunci terlebih dahulu, kemudian buka tutup baterai. Setelah itu, masukan kartrid baterai.

► **Gbr.5:** 1. Kunci 2. Kotak baterai

Sejajarkan lidah kartrid baterai dengan alur pada rumah dan masukkan ke dalam tempatnya. Masukkan seluruhnya sampai terkunci pada tempatnya dan terdengar bunyi klik kecil. Kemudian kunci tutup baterai.

► **Gbr.6:** 1. Kartrid baterai

Untuk melepas kartrid baterai, geser dari mesin sambil menggeser tombol di bagian depan kartrid.

**⚠️PERHATIAN:** Selalu pasang kartrid baterai sepenuhnya hingga indikator berwarna merah tidak terlihat. Jika tidak, kartrid baterai dapat terlepas dari pembersih secara tidak sengaja, menyebabkan cedera pada Anda atau orang di sekitar Anda.

**⚠️PERHATIAN:** Jangan memasang kartrid baterai secara paksa. Jika kartrid tidak bergeser dengan mudah, berarti tidak dimasukkan dengan benar.

**CATATAN:** Pengisap tidak akan bekerja dengan hanya satu kartrid baterai.

**CATATAN:** Cabut steker pembersih dari kabel ekstensi saat menggunakan pembersih dengan baterai.

## Mengindikasikan kapasitas baterai yang tersisa

**Hanya untuk kartrid baterai dengan indikator**

► **Gbr.7:** 1. Lampu indikator 2. Tombol pemeriksaan

Tekan tombol pemeriksaan pada kartrid baterai untuk melihat kapasitas baterai yang tersisa. Lampu indikator menyala selama beberapa detik.

Lampu indikator			Kapasitas yang tersisa
Menyala	Mati	Berkedip	
■	□	◐	75% hingga 100%
■	■	□	50% hingga 75%
■	■	□	25% hingga 50%
■	□	□	0% hingga 25%
◐	□	□	Isi ulang baterai.
■	■	□	Baterai mungkin sudah rusak.
□	□	■	

**CATATAN:** Tergantung kondisi penggunaan dan suhu lingkungannya, penunjukkan mungkin saja sedikit berbeda dari kapasitas sebenarnya.





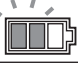
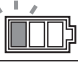

**CATATAN:** Lampu indikator pertama (ujung kiri) akan berkedip ketika sistem perlindungan mesin bekerja.

## Mengindikasikan kapasitas baterai yang tersisa

► **Gbr.8:** 1. Indikator baterai 2. Tombol pemeriksaan

► **Gbr.9**

Tekan tombol pemeriksaan untuk melihat kapasitas baterai yang tersisa. Indikator baterai berhubungan dengan setiap baterai.

Status indikator baterai			Kapasitas baterai yang tersisa
 Menyala	 Mati	 Berkedip	
			50% hingga 100%
			20% hingga 50%
			0% hingga 20%
			Isi ulang baterai


## Sistem perlindungan mesin / baterai

Mesin ini dilengkapi dengan sistem perlindungan mesin/ baterai. Sistem ini memutuskan daya ke motor secara otomatis untuk memperpanjang umur pakai mesin dan baterai. Mesin akan berhenti secara otomatis saat dioperasikan jika mesin atau baterai mengalami salah satu dari kondisi-kondisi berikut ini:

### Perlindungan kelebihan beban

Bila mesin dijalankan dengan cara yang menyebabkannya menarik arus tinggi yang tidak normal, mesin akan berhenti secara otomatis tanpa menunjukkan apa-apa. Untuk situasi ini, matikan mesin dan hentikan pekerjaan yang menyebabkan mesin mengalami kelebihan beban. Kemudian nyalakan mesin untuk memulai lagi pekerjaan.

### Perlindungan panas berlebih

<input type="checkbox"/> menyala	<input checked="" type="checkbox"/> Berkedip
	

Bila mesin mengalami panas berlebih, mesin akan berhenti secara otomatis dan indikator baterai berkedip sekitar 60 detik. Untuk situasi ini, biarkan mesin menjadi dingin sebelum menyalakan mesin lagi.

### Perlindungan pengisian daya berlebih

Ketika kapasitas baterai melemah, mesin akan berhenti secara otomatis. Jika produk tidak beroperasi bahkan ketika sakelar digunakan, lepaskan baterai dari mesin dan isi daya baterai.

## Kerja sakelar

- **Gbr.10:** 1. Sakelar stand by 2. Tombol daya  
3. Kenop penyetelan daya isapan



Untuk menyalakan pengisap:

1. Atur sakelar stand by ke sisi "I". Pengisap memasuki kondisi stand by.
2. Tekan tombol daya.

Untuk mengatur pengisap ke mode stand by, tekan tombol daya kembali.

Untuk mematikan pengisap, atur sakelar stand by ke sisi "O".

Tenaga isapan dapat disesuaikan dengan kebutuhan pekerjaan Anda.

Tenaga isapan dapat ditingkatkan dengan memutar kenop penyetel daya isapan dari simbol  ke simbol .

**PEMBERITAHUAN:** Selalu atur sakelar stand by ke sisi "O" saat tidak menggunakan pengisap dalam waktu lama. Pengisap memakai daya saat kondisi stand by.

## Penghentian isapan otomatis saat pengoperasian isapan basah

Hanya untuk model saringan kain

**PERINGATAN:** Saat float bekerja, jangan gunakan pengisap dalam waktu lama.

Menggunakan pengisap saat float bekerja dalam jangka waktu lama dapat menyebabkan panas berlebih, yang menyebabkan perubahan bentuk pengisap.

**PERINGATAN:** Jangan mengisap busa atau cairan sabun. Mengisap busa atau cairan sabun dapat menyebabkan busa keluar dari saluran keluar udara sebelum float bekerja. Penggunaan berlanjut dalam kondisi ini dapat menyebabkan sengatan listrik dan kerusakan pengisap.

Penghentian isapan otomatis hanya bekerja saat digunakan dengan float dan rangka float.

Pengisap memiliki mekanisme float yang mencegah air masuk ke dalam motor saat mengisap air lebih dari jumlah tertentu. Saat tangki penuh dan pengisap tidak lagi mengisap air, matikan pengisap dan kosongkan tangki.

## Mengunci atau membuka kunci roda caster

- **Gbr.11:** 1. Roda caster 2. Tuas penghenti 3. Posisi BEBAS 4. Posisi TERBUKA

Mengunci roda caster berguna saat menyimpan pengisap, berhenti di tengah-tengah pekerjaan, dan menjaga agar pengisap diam di tempat.

Untuk menggunakan penghenti, gerakkan dengan tangan.

Untuk mengunci roda caster menggunakan penghenti, turunkan tuas penghenti dan roda caster tidak akan berputar. Untuk melepaskan roda caster dari posisi terkunci, naikkan tuas penghenti.

**CATATAN:** Saat menggerakkan pengisap, pastikan roda caster tidak terkunci. Menggerakkan pengisap dengan posisi roda caster terkunci dapat menyebabkan kerusakan pada roda caster.

## Pegangan mesin

Saat membawa pengisap, bawa dengan memegang pegangan di bagian kepala. Pegangan dapat dilipat di bagian kepala saat tidak digunakan.

► Gbr.12

## PERAKITAN

**PERHATIAN:** Selalu pastikan bahwa pembersih dimatikan, dicabut stekernya, dan kartrid baterai dilepas sebelum melakukan pekerjaan apa pun pada pembersih.

**PERHATIAN:** Selalu gunakan masker debu saat perakitan atau perawatan.

## Memasang filter serbuk (HEPA) dan pra-saringan (untuk debu kering)

*Pilihan aksesoris untuk model saringan kain*

**PERHATIAN:** Dilarang mengisap air atau cairan lain atau debu basah saat menggunakan saringan serbuk. Mengisap benda-benda tersebut dapat menyebabkan kerusakan saringan serbuk.

Cara menggunakan saringan serbuk:

1. Lepaskan kerangka float dan float dengan melepaskan baut.  
► Gbr.13: 1. Float 2. Rangka float
2. Letakkan pra-saringan di dalam tangki dengan menyejajarkan tanda posisi pemasangan.
3. Pasang peredam di atas saringan serbuk kemudian letakkan di dalam pra-saringan dengan menyejajarkan tanda posisi pemasangan.
4. Terakhir, pasang tutup tangki dan kunci.  
► Gbr.14: 1. Tutup tangki 2. Filter serbuk (HEPA) 3. Peredam 4. Pra-saringan 5. Tangki 6. Tanda posisi pemasangan

**PEMBERITAHUAN:** Sebelum menggunakan saringan serbuk, pastikan pra-saringan dan peredam selalu digunakan bersamaan. Dilarang memasang saringan serbuk tanpa memasang komponen lainnya.

## Memasang saringan air

*Pilihan aksesoris untuk model saringan kain*

**PERHATIAN:** Dilarang mengisap air atau debu basah tanpa float dan saringan kain atau saringan air.

**PERHATIAN:** Untuk mengisap debu basah, pastikan rangka float dan float terpasang pada pengisap.

**PERHATIAN:** Saat memasang saringan air pada tangki, kencangkan bukaan tangki sehingga kait saringan air terpasang pada bukaan tangki dengan kuat dan tidak ada jarak antara saringan air dan tangki.

Untuk mengisap air atau debu basah, saringan air lebih cocok daripada saringan kain.

Saat memasang saringan air, sejajarkan tanda posisi pemasangan pada saringan dan pada tangki.

► Gbr.15: 1. Saringan air 2. Tangki 3. Tanda posisi pemasangan

**CATATAN:** Disarankan menggunakan saringan air saat mengisap air dalam jumlah banyak secara berulang. Jika tidak, kemampuan isap dapat berkurang karena menggunakan saringan kain.

## Memasang saringan kertas

*Pilihan Aksesoris*

**PERINGATAN:** Saat menggunakan saringan kertas, gunakan juga saringan kain atau pra-saringan bersamaan yang dipasang terlebih dahulu dalam pembersih. Kelalaian untuk menggunakan saringan kain / pra-saringan bersamaan dapat menyebabkan suara dan panas tidak biasa, yang mengakibatkan terbakar.

**PERHATIAN:** (Untuk model saringan kain)

- Dilarang mengisap air atau cairan lain atau debu basah saat menggunakan saringan kertas. Mengisap benda-benda tersebut dapat menyebabkan kerusakan saringan kertas.
- Sebelum menggunakan saringan kertas, pastikan saringan serbuk (pilihan aksesoris), peredam (pilihan aksesoris) dan pra-saringan selalu digunakan bersamaan.

**PERHATIAN:** (Untuk model saringan serbuk)

- Sebelum menggunakan saringan kertas, pastikan saringan serbuk, peredam, dan pra-saringan selalu digunakan bersamaan.

1. Lepaskan penahan karet.

► Gbr.16: 1. Penahan karet

2. Rentangkan saringan kertas.

3. Sejajarkan bukaan saringan kertas dengan bukaan isapan debu pada pengisap.

4. Masukkan papan saringan kertas ke dalam penahan sehingga terpasang pada bagian ujung melebihi tonjolan penahan.

► Gbr.17: 1. Saringan kertas 2. Penahan

## Memasang kantong polietilen

Pengisap juga dapat digunakan tanpa kantong polietilen. Namun, dengan menggunakan kantong polietilen mengosongkan tangki menjadi lebih mudah tanpa membuat tangan Anda kotor.

Rentangkan kantong polietilen dalam tangki. Masukkan kantong di antara pelat pemegang dan tangki, dan tarik ke arah tempat masuk selang.

► **Gbr.18:** 1. Pelat pemegang 2. Kantong polietilen

Rentangkan kantong di sekitar bagian atas tangki sehingga tepi saringan kain / pra-saringan dapat menjepit dan menahan kantong dengan aman.

► **Gbr.19:** 1. Saringan kain / pra-saringan

**CATATAN:** Anda dapat menggunakan kantong polietilen yang tersedia di toko. Disarankan menggunakan ukuran 0,04 mm atau lebih tebal.

**CATATAN:** Debu yang terlalu banyak dapat merobek kantong dengan mudah, jadi jangan mengisap debu lebih dari setengah kapasitas kantong.

## Mengosongkan kantong polietilen

**⚠PERINGATAN:** Selalu pastikan bahwa pengisap telah dimatikan, dicabut stekernya, dan kartrid baterai dilepas sebelum mengosongkan kantong polietilen. Kelalaian dalam melakukannya dapat mengakibatkan sengatan listrik atau cedera.

**⚠PERHATIAN:** Jangan sampai terjadi benturan keras pada rangka float dan tangki. Terjadinya benturan keras dapat menyebabkan perubahan bentuk dan kerusakan komponen.

**⚠PERHATIAN:** Kosongkan tangki setidaknya satu kali sehari tetapi hal ini tergantung dari volume debu yang terisap di dalam tangki. Jika tidak, kekuatan isapan akan melemah dan motor dapat rusak.

**⚠PERHATIAN:** Dilarang memegang kait saat mengosongkan tangki. Memegang kait dapat menyebabkan kait patah.

Lepaskan kait dan angkat tutup tangki. Bersihkan debu dari saringan kain / pra-saringan kemudian keluarkan kantong polietilen dari tangki.  
► **Gbr.20**

**CATATAN:** Keluarkan kantong polietilen dari tangki dengan hati-hati sehingga kantong polietilen tidak tersangkut dan robek oleh tonjolan di dalam tangki saat mengosongkannya.

**CATATAN:** Kosongkan kantong polietilen sebelum penuh. Debu yang terlalu banyak di dalam tangki dapat menyebabkan kantong polietilen robek.

## Memasang kotak alat

1. Lepaskan kunci dari tutup baterai, dan buka tutup baterai.
2. Atur rel pada kotak alat mengikuti alur pada rumah.
3. Pasang tutup baterai dan kunci.  
► **Gbr.21**

Kotak alat cocok digunakan untuk membawa baterai, kabel ekstensi, pipa, dan manset.

► **Gbr.22**

## Menyambungkan selang

**PEMBERITAHUAN:** Dilarang menekuk atau menyentak selang secara paksa. Dilarang menarik selang saat menggerakkan pengisap. Menekuk, menyentak, dan menarik selang dapat menyebabkan kebocoran atau perubahan bentuk selang.

**PEMBERITAHUAN:** Saat mengisap limbah besar seperti sampah serutan, debu beton atau sejenisnya kecuali limbah kecil, gunakan selang dengan diameter bagian dalam sebesar 38 mm (pilihan aksesori). Menggunakan selang dengan diameter dalam 28 mm (pilihan aksesori) dapat menyebabkan tersumbat dan rusaknya selang.

Masukkan selang ke dalam port pemasangan tangki dan putar searah jarum jam sampai terkunci.

► **Gbr.23**

## PERAWATAN

**⚠PERHATIAN:** Selalu pastikan bahwa pembersih dimatikan, dicabut stekernya, dan kartrid baterai dilepas sebelum melakukan pemeriksaan atau perawatan.

**PEMBERITAHUAN:** Jangan sekali-kali menggunakan bensin, tiner, alkohol, atau bahan sejenisnya. Penggunaan bahan demikian dapat menyebabkan perubahan warna, perubahan bentuk atau timbulnya retakan.

Untuk menjaga KEAMANAN dan KEANDALAN mesin, perbaikan, perawatan atau penyetelan lainnya harus dilakukan oleh Pusat Layanan Resmi atau Pabrik Makita; selalu gunakan suku cadang pengganti buatan Makita.

## Penyimpanan kabel pasokan daya

Anda dapat menggulung kabel pasokan daya di sekitar kotak alat.

► **Gbr.24**

## Penyimpanan aksesoris

Pipa dapat dimasukkan ke dalam pemegang pipa saat tidak menggunakan pengisap dalam waktu lama.

► **Gbr.25**

► **Gbr.26**

Selang dapat disimpan melingkar pada alat dengan menghubungkan masing-masing ujungnya.

► **Gbr.27**

## Membersihkan saringan kain

### *Hanya untuk model saringan kain*

Saringan kain yang tersumbat dapat menyebabkan kinerja isapan yang buruk.

Bersihkan saringan kain secara berkala.

Untuk membersihkan debu atau partikel yang melekat pada saringan kain, goyang bagian bawah rangka dengan cepat beberapa kali.

► **Gbr.28:** 1. Saringan kain

## Membersihkan filter serbuk (HEPA) dan pra-saringan

### *Hanya untuk model saringan serbuk*

Saringan serbuk, pra-saringan, dan peredam yang tersumbat menyebabkan kinerja isapan yang buruk. Bersihkan saringan dan peredam secara berkala.

Untuk membersihkan debu atau partikel yang melekat pada saringan, goyang-goyang bagian bawah rangka dengan cepat beberapa kali.

► **Gbr.29**

Bersihkan saringan serbuk secara berkala, cuci dan keringkan di tempat yang teduh sebelum menggunakan. Dilarang mencuci saringan dengan mesin cuci.

**CATATAN:** Dilarang menggosok atau menggaruk saringan serbuk, pra-saringan atau peredam dengan benda keras seperti sikat dan pengeruk.

**CATATAN:** Saringan akan aus seiring waktu. Disarankan untuk memiliki cadangannya.

## AKSESORI PILIHAN

**PERHATIAN:** Dianjurkan untuk menggunakan aksesoris atau perangkat tambahan ini dengan mesin Makita Anda yang ditentukan dalam petunjuk ini. Penggunaan aksesoris atau perangkat tambahan lain bisa menyebabkan risiko cedera pada manusia. Hanya gunakan aksesoris atau perangkat tambahan sesuai dengan peruntukannya.

Jika Anda memerlukan bantuan lebih rinci berkenaan dengan aksesoris ini, tanyakan pada Pusat Layanan Makita terdekat.

- Selang
- Manset depan (22, 24, 38)
- Pipa lurus
- Nosel sudut
- Sikat bundar
- Saringan serbuk, HEPA (untuk debu kering)
- Peredam
- Pra-saringan
- Rakitan nosel
- Pipa lengkung
- Kantong polietilen
- Saringan kertas
- Set penahan
- Saringan Air (pilihan untuk model saringan kain)
- Baterai dan pengisi daya asli buatan Makita

**CATATAN:** Beberapa item dalam daftar tersebut mungkin sudah termasuk dalam paket mesin sebagai aksesoris standar. Hal tersebut dapat berbeda dari satu negara ke negara lainnya.



## CẢNH BÁO

- Máy này không dành cho những người suy giảm thể chất, giác quan hoặc khả năng trí óc, hoặc thiếu kinh nghiệm và kiến thức sử dụng bao gồm cả trẻ em.
- Trẻ em cần được giám sát để đảm bảo rằng chúng sẽ không nghịch máy hút bụi.
- Nếu dây nguồn bị hỏng, phải nhờ cơ sở bảo trì được ủy quyền thay thế.
- Xem chương "THÔNG SỐ KỸ THUẬT" để biết loại tham chiếu dành cho pin.
- Xem phần "Lắp hoặc tháo hộp pin" để biết cách tháo hoặc lắp pin.
- Khi rút bỏ hộp pin, hãy tháo chúng khỏi dụng cụ và thải bỏ ở nơi an toàn. Phải tuân thủ theo các quy định của địa phương liên quan đến việc thải bỏ pin.
- Nếu dụng cụ không được sử dụng trong một thời gian dài, cần phải tháo pin ra khỏi dụng cụ.
- Không để hộp pin ở tình trạng đoản mạch.
- Xem chương "BẢO DƯỠNG" để biết các chi tiết thích hợp về các biện pháp phòng ngừa trong quá trình bảo dưỡng của người dùng.

## THÔNG SỐ KỸ THUẬT

Kiểu máy:		DVC150L	DVC151L
Loại bộ lọc tiêu chuẩn		Bộ lọc vải (cho bụi khô và ướt)	Bộ lọc bụi dạng bột (cho bụi khô)
Lưu lượng (khí)	Thao tác DC (với BL1850B, ống $\varnothing 38$ mm x 2,5 m)	2,1 m <sup>3</sup> /min	
	Thao tác AC (với ống $\varnothing 38$ mm x 2,5 m)	3,6 m <sup>3</sup> /min	
Lưu lượng hút	Thao tác DC (với BL1850B, ống $\varnothing 38$ mm x 2,5 m)	9,0 kPa	
	Thao tác AC (với ống $\varnothing 38$ mm x 2,5 m)	24,0 kPa	
Dung lượng hút	Bụi	15 L	
	Nước	12 L	-
Kích thước (D x R x C)		366 mm x 334 mm x 421 mm	
Thông số định mức điện khi vận hành bằng AC		Tùy theo quốc gia. Tham khảo biển tên.	
Điện áp định mức khi vận hành bằng pin		36 V một chiều	
Khối lượng tịnh		8,9 - 9,6 kg	9,6 - 10,3 kg
Cấp bảo vệ		IPX4	
Cấp an toàn		II/II	

- Do chương trình nghiên cứu và phát triển liên tục của chúng tôi nên các thông số kỹ thuật trong đây có thể thay đổi mà không cần thông báo trước.
- Các thông số kỹ thuật và hộp pin có thể thay đổi tùy theo từng quốc gia.
- Khối lượng không bao gồm các phụ kiện, ngoại trừ (các) hộp pin. Khối lượng kết hợp nhẹ nhất, nặng nhất của thiết bị và (các) hộp pin được thể hiện như trong bảng.
- Với bụi ướt, cần phải có phao và bộ lọc nước hoặc bộ lọc vải.

## Hộp pin và sạc pin có thể áp dụng

Hộp pin	BL1815N / BL1820B / BL1830B / BL1840B / BL1850B / BL1860B
Bộ sạc	DC18RC / DC18RD / DC18RE / DC18SD / DC18SE / DC18SF / DC18SH

- Một số hộp pin và sạc pin được nêu trong danh sách ở trên có thể không khả dụng tùy thuộc vào khu vực cư trú của bạn.

**⚠ CẢNH BÁO:** Chỉ sử dụng hộp pin và sạc pin được nêu trong danh sách ở trên. Việc sử dụng bất cứ hộp pin và sạc pin nào khác có thể gây ra thương tích và/hoặc hỏa hoạn.

## Ký hiệu

Phần dưới đây cho biết các ký hiệu có thể được dùng cho thiết bị. Đảm bảo rằng bạn hiểu rõ ý nghĩa của các ký hiệu này trước khi sử dụng.



Đọc tài liệu hướng dẫn.



Hãy cẩn thận và đặc biệt chú ý.



Cảnh báo! Máy hút bụi có thể chứa bụi nguy hiểm.



Không bao giờ đứng lên máy hút bụi.



Bụi loại L (nhẹ). Máy hút bụi có khả năng hút bụi loại L. Tuân thủ theo các quy định của quốc gia của bạn liên quan đến bụi và sức khỏe và an toàn nghề nghiệp.



CÁCH ĐIỆN CẤP 2



Ni-MH  
Li-ion

Chỉ dành cho các quốc gia EU  
Do có các thành phần nguy hiểm bên trong thiết bị điện và điện tử, ắc quy và pin thải bỏ nên có thể có tác động không tốt đến môi trường và sức khỏe con người.  
Không vứt bỏ các thiết bị điện và điện tử hoặc pin với rác thải sinh hoạt!  
Theo Chỉ thị của Châu Âu về thiết bị điện và điện tử thải bỏ và về pin và ắc quy và pin và ắc quy thải bỏ, cũng như sự thích ứng của chúng với luật pháp quốc gia, các thiết bị điện, pin và ắc quy thải phải được cất giữ riêng biệt và chuyển đến một điểm thu gom rác thải đô thị riêng, hoạt động theo các quy định về bảo vệ môi trường. Điều này được biểu thị bằng biểu tượng thùng rác có bánh xe gạch chéo được đặt trên thiết bị.

## Mục đích sử dụng

Dụng cụ này thích hợp cho sử dụng thương mại, ví dụ như trong khách sạn, trường học, bệnh viện, nhà máy, cửa hàng, văn phòng và các cơ sở cho thuê.

### DVC150L

Dụng cụ này được sử dụng để hút cả bụi khô và bụi ướt.

### DVC151L

Dụng cụ này chỉ được dùng để gom bụi khô.

## Nguồn cấp điện

Dụng cụ này chỉ được nối với nguồn cấp điện có điện áp giống như đã chỉ ra trên biển tên và chỉ có thể được vận hành trên nguồn điện AC đơn pha. Chúng được cách điện hai lớp và do đó cũng có thể được sử dụng từ các ổ cắm điện không có dây tiếp đất.

## CẢNH BÁO AN TOÀN

### Cảnh báo an toàn cho máy hút bụi cầm tay hoạt động bằng điện và pin

**⚠ CẢNH BÁO: LƯU Ý ĐỌC KỸ** tất cả các cảnh báo an toàn và các hướng dẫn **TRƯỚC KHI SỬ DỤNG**. Việc không tuân theo các cảnh báo và hướng dẫn có thể dẫn đến điện giật, hỏa hoạn và/hoặc thương tích nghiêm trọng.

- 1. Trước khi sử dụng, đảm bảo rằng máy hút bụi này phải do người đã được hướng dẫn đầy đủ về cách dùng máy hút bụi này sử dụng.**
- 2. Trước khi sử dụng, nên cung cấp thông tin, hướng dẫn và đào tạo cho người vận hành để sử dụng máy và cho biết các chất tương tự mà máy sẽ sử dụng, bao gồm cả phương pháp an toàn để loại bỏ và xử lý vật liệu thu thập được.**
- 3. Nếu bột/chất lỏng bị rò rỉ ra ngoài, tắt máy ngay lập tức.**
- 4. Làm sạch thiết bị giới hạn mực nước thường xuyên và kiểm tra xem có dấu hiệu hư hỏng không.**
- 5. Không vận hành máy hút bụi khi không có bộ lọc. Thay thế bộ lọc bị hỏng ngay lập tức.**
- 6. SỬ DỤNG DÂY ĐIỆN NGUYỄN DÀI.** Khi sử dụng dây điện nối dài do khoảng cách đến nguồn điện của bạn rất xa, hãy cố gắng sử dụng dây điện đủ dài nhưng không quá dài, nếu không hiệu suất của máy hút bụi sẽ bị ảnh hưởng không tốt. Khi vận hành dụng cụ ngoài trời, hãy sử dụng dây nối dài phù hợp cho việc sử dụng ngoài trời.
- 7. CẢNH BÁO ĐIỆN ÁP:** Trước khi kết nối máy hút bụi vào một nguồn điện (đầu cắm điện, ổ cắm điện, v.v...) hãy đảm bảo điện áp được cấp giống như quy định trên bảng tên của máy hút bụi. Nguồn điện có điện áp lớn hơn quy định cho máy hút bụi có thể gây **CHẤN THƯƠNG NGHIÊM TRỌNG** cho người vận hành cũng gây hư hỏng cho máy hút bụi. Nếu có nghi ngờ, **KHÔNG CẮM MÁY HÚT BỤI VÀO Ổ ĐIỆN**. Sử dụng một nguồn điện có điện áp thấp hơn so quy định trên bảng tên sẽ gây hư hỏng cho động cơ.
- 8. TRÁNH VÔ TÌNH KHỞI ĐỘNG MÁY.** Đảm bảo đã **TẮT** công tắc khi cắm điện vào.
- 9. Không cố hút các vật liệu dễ cháy, pháo hoa, thuốc lá đang cháy, tro nóng, mặt kim loại nóng, các vật liệu sắc nhọn như dao cạo, kim, thủy tinh vỡ hoặc những vật tương tự.**
- 10. KHÔNG BAO GIỜ SỬ DỤNG MÁY HÚT BỤI TRONG KHU VỰC GẦN XĂNG DẦU, KHÍ GAS, SƠN, KEO DÁN HOẶC CÁC CHẤT CHÁY NỔ MẠNH.** Công tắc phát ra tia lửa khi **BẬT** và **TẮT**. Và vành góp điện động cơ cũng bị tương tự trong quá trình vận hành. Có thể gây ra cháy nổ nguy hiểm.

11. Không bao giờ hút các vật liệu độc hại, gây ung thư, dễ bắt lửa hoặc các vật liệu nguy hiểm khác như amiăng, thạch tín, bari, berili, chì, thuốc trừ sâu, hoặc các vật liệu nguy hại cho sức khỏe khác.
12. Luôn đặt máy hút bụi trên một bề mặt phẳng nằm ngang để tránh rơi ngã hoặc xô dịch ngoài ý muốn.
13. Không sử dụng máy hút bụi ngoài trời khi đang mưa.
14. Máy này không được sử dụng ngoài trời với nhiệt độ thấp đối với nước Phần Lan.
15. Không sử dụng gần với nguồn nhiệt (bếp, v.v...).
16. Nếu khí xả trả ngược vào phòng, cần phải cung cấp tốc độ thay đổi không khí trong phòng thích hợp. Cần tham khảo các quy định của Quốc gia.
17. **BẢO VỆ CHỐNG ĐIỆN GIẬT.** Tránh không để cơ thể tiếp xúc với các bề mặt nổi đất. Ví dụ; ống, lò sưởi, bếp nấu, vỏ tủ lạnh.
18. Không được chặn các lỗ thông hơi làm mát. Các lỗ thông hơi này cho phép làm mát động cơ. Cần thận trọng làm tắc nghẽn nếu không động cơ sẽ cháy hỏng do thiếu thông gió.
19. Luôn giữ thăng bằng tốt và có chỗ để chân phù hợp.
20. **KHÔNG SỬ DỤNG DÂY CẮM ĐIỆN SAI MỤC ĐÍCH.** Không bao giờ cắm máy hút bụi bằng dây điện hoặc giạt mạnh dây để ngắt kết nối khỏi ổ cắm điện. Giữ dây điện cách xa nguồn nhiệt, dầu mỡ và các cạnh mép sắc nhọn. Kiểm tra dây điện của máy hút bụi thường xuyên và nếu bị hư hỏng chúng phải được cơ sở bảo trì được ủy quyền sửa chữa ngay. Kiểm tra dây điện nói dài định kỳ và thay thế nếu bị hư hỏng.
21. Không gấp, kéo hoặc dẫm lên ống hút.
22. Dừng máy hút bụi ngay lập tức nếu bạn nhận thấy hiệu suất hoạt động của máy kém hoặc bất cứ điều gì bất thường trong khi vận hành.
23. **NGẮT KẾT NỐI MÁY HÚT BỤI.** Khi không sử dụng, trước khi bảo trì, và khi thay đổi các phụ kiện.
24. Làm sạch và bảo trì máy hút bụi ngay sau mỗi lần sử dụng để giữ máy trong điều kiện vận hành tốt nhất.
25. **BẢO DƯỠNG MÁY HÚT BỤI CẦN THẬN.** Giữ máy hút bụi sạch sẽ để máy hoạt động tốt và an toàn hơn. Tuân theo các hướng dẫn dành cho việc thay phụ tùng. Giữ tay cầm khô, sạch, không dính dầu và mỡ.
26. **KIỂM TRA CÁC BỘ PHẬN BỊ HƯ HỎNG.** Trước khi sử dụng tiếp máy hút bụi, cần phải kiểm tra kỹ lưỡng bộ phận bảo vệ hoặc bộ phận khác bị hư hỏng để xác định rằng máy sẽ vận hành bình thường và thực hiện đúng chức năng như được thiết kế. Kiểm tra cân chỉnh các bộ phận chuyên động, bó kẹp của các bộ phận chuyên động, chốt nứt vỡ các bộ phận, chốt gắn và bất cứ tình trạng nào khác có thể ảnh hưởng đến việc vận hành. Bộ phận bảo vệ hoặc bộ phận nào khác bị hư hỏng cần phải được sửa chữa đúng cách hoặc thay thế bởi trung tâm bảo trì được ủy quyền trừ khi có chỉ dẫn khác trong hướng dẫn sử dụng này. Hãy để trung tâm dịch vụ được ủy quyền thay thế các công tắc bị hỏng. Không sử dụng máy hút bụi nếu công tắc không bật và tắt được máy.
27. Đối với bảo dưỡng dành cho người dùng, máy phải được tháo dỡ, làm sạch và bảo dưỡng trong chừng mực hợp lý có thể thực hiện được, mà không gây rủi ro cho nhân viên bảo trì và những người khác.
28. Máy phải được kiểm tra kỹ thuật bởi nhà sản xuất, hoặc người đã được hướng dẫn, ít nhất là hàng năm, bao gồm, ví dụ, kiểm tra hư hỏng của các bộ lọc, độ kín khí của máy và cơ chế điều khiển đúng chức năng.
29. Khi thực hiện các hoạt động bảo hành hoặc sửa chữa, cần phải tháo bỏ tất cả các vật bị nhiễm bẩn mà không thể tẩy sạch một cách ưng ý; các vật như vậy khi tháo bỏ phải đựng trong túi chống thấm theo mọi quy định hiện hành về việc xử lý chất thải đó.
30. **CÁC BỘ PHẬN THAY THẾ.** Khi bảo trì, chỉ sử dụng các bộ phận thay thế giống nhau.
31. **CẮT MÁY HÚT BỤI KHI KHÔNG SỬ DỤNG.** Khi không sử dụng, phải cắt máy hút bụi trong nhà.
32. Bộ lọc ướt và bộ phận bên trong của bình chứa chất lỏng phải được làm khô trước khi cất giữ.
33. Cắt giữ cẩn thận máy hút bụi của bạn. Xử lý mạnh tay có thể làm nứt vỡ ngay cả đối với máy hút bụi được thiết kế cứng cáp nhất.
34. Không cố làm sạch bên ngoài hoặc bên trong bằng ét xăng, dung môi hoặc hóa chất làm sạch. Điều này có thể gây nứt và làm mất màu.
35. Không sử dụng máy hút bụi trong môi trường không gian kín nơi có khí dễ cháy, nổ hoặc độc hại do sơn gốc dầu, dung môi pha sơn, xăng, một số chất chống sâu mọt, v.v... gây ra, hoặc ở những khu vực có bụi dễ cháy.
36. Không để dây điện của máy hút bụi nằm trên mặt sàn sau khi bạn làm sạch máy xong. Điều này có thể dẫn đến nguy cơ vấp gây nguy hiểm hoặc làm hư hỏng máy hút bụi.
37. Không vận hành máy hút bụi này hoặc bất kỳ máy nào khi đang chịu ảnh hưởng của ma túy hoặc rượu.
38. Theo nguyên tắc cơ bản về an toàn, phải sử dụng kính bảo hộ hoặc kính an toàn có tấm chắn.
39. Sử dụng mặt nạ chống bụi trong điều kiện làm việc nhiều bụi.

40. Máy này không dành cho những người suy giảm thể chất, giác quan hoặc khả năng trí óc, hoặc thiếu kinh nghiệm và kiến thức sử dụng bao gồm cả trẻ em.
41. Trẻ em cần được giám sát để đảm bảo rằng chúng sẽ không nghịch máy hút bụi.
42. Không bao giờ cầm dây điện và máy hút bụi bằng tay ướt.
43. Hết sức cẩn trọng khi làm sạch trên các bậc thang.
44. Không sử dụng máy hút bụi làm ghế ngồi hay ghế băng làm việc. Máy có thể đổ xuống và dẫn đến chấn thương cá nhân.

#### Sử dụng và bảo quản dụng cụ dùng pin

1. **Chỉ sạc pin lại với bộ sạc do nhà sản xuất quy định.** Bộ sạc phù hợp với một loại bộ pin này có thể gây ra nguy cơ hỏa hoạn khi được dùng cho một bộ pin khác.
2. **Chỉ sử dụng các dụng cụ máy với các bộ pin được quy định cụ thể.** Việc sử dụng bất cứ bộ pin nào khác có thể gây ra thương tích và hỏa hoạn.
3. **Khi không sử dụng bộ pin, hãy giữ tránh xa các đồ vật khác bằng kim loại, chẳng hạn như kẹp giấy, tiền xu, chìa khóa, đinh, ốc vít hoặc các vật nhỏ bằng kim loại mà có thể làm nối tất các đầu cực pin.** Các đầu cực pin bị đoản mạch có thể gây cháy hoặc hỏa hoạn.
4. **Trong điều kiện sử dụng quá mức, pin có thể bị chảy nước; hãy tránh tiếp xúc.** Nếu vô tình tiếp xúc với pin bị chảy nước, hãy rửa sạch bằng nước. Nếu dung dịch từ pin tiếp xúc với mắt, cần đi khám bác sĩ thêm. Dung dịch chảy ra từ pin có thể gây rát da hoặc bỏng.
5. **Không sử dụng bộ pin hoặc dụng cụ bị hư hỏng hoặc đã bị sửa đổi.** Pin đã bị hư hỏng hoặc đã bị sửa đổi có thể hành động theo cách không thể đoán trước dẫn đến cháy, nổ hoặc nguy cơ chấn thương.
6. **Không để bộ pin hoặc dụng cụ tiếp xúc với lửa hoặc nhiệt độ quá cao.** Tiếp xúc với lửa hoặc nhiệt độ trên 130 °C có thể gây ra cháy nổ.
7. **Làm theo tất cả các hướng dẫn sạc pin và không được sạc bộ pin hoặc dụng cụ vượt giới hạn nhiệt độ quy định trong hướng dẫn.** Sạc pin không đúng hoặc ở nhiệt độ vượt giới hạn nhiệt độ có thể gây hư hỏng cho pin và làm tăng nguy cơ cháy.

## LƯU GIỮ CÁC HƯỚNG DẪN NÀY.

**⚠ CẢNH BÁO:** KHÔNG vì đã thói mái hay quen thuộc với sản phẩm (có được do sử dụng nhiều lần) mà không tuân thủ nghiêm ngặt các quy định về an toàn dành cho sản phẩm này. **VIỆC DÙNG SAI** hoặc không tuân theo các quy định về an toàn được nêu trong tài liệu hướng dẫn này có thể dẫn đến thương tích cá nhân nghiêm trọng.

## Hướng dẫn quan trọng về an toàn dành cho hộp pin

1. **Trước khi sử dụng hộp pin, hãy đọc kỹ tất cả các hướng dẫn và dấu hiệu cảnh báo trên (1) bộ sạc pin, (2) pin và (3) sản phẩm sử dụng pin.**
  2. **Không tháo rời hoặc làm thay đổi hộp pin.** Việc này có thể dẫn đến hỏa hoạn, quá nhiệt hoặc nổ.
  3. **Nếu thời gian vận hành ngắn hơn quá mức, hãy ngừng vận hành ngay lập tức.** Điều này có thể dẫn đến rùi rò quá nhiệt, có thể gây bỏng và thậm chí là nổ.
  4. **Nếu chất điện phân rơi vào mắt, hãy rửa sạch bằng nước sạch và đến cơ sở y tế ngay lập tức.** Chất này có thể khiến bạn giảm thị lực.
  5. **Không để hộp pin ở tình trạng đoản mạch:**
    - (1) Không chạm vào cực pin bằng vật liệu dẫn điện.
    - (2) Tránh cất giữ hộp pin trong hộp có các vật kim loại khác như đinh, tiền xu, v.v...
    - (3) Không được để hộp pin tiếp xúc với nước hoặc mưa.
- Đoản mạch pin có thể gây ra dòng điện lớn, quá nhiệt, có thể gây bỏng và thậm chí là hỏng hóc.**
6. **Không cất giữ cũng như sử dụng dụng cụ và hộp pin ở nơi nhiệt độ có thể lên tới hoặc vượt quá 50 °C (122 °F).**
  7. **Không đốt hộp pin ngay cả khi hộp pin đã bị hư hại nặng hoặc hư hỏng hoàn toàn.** Hộp pin có thể nổ khi tiếp xúc với lửa.
  8. **Không đóng đinh, cắt, nghiền nát, ném, làm rơi hộp pin hoặc va vật cứng vào hộp pin.** Làm như thế có thể dẫn đến hỏa hoạn, quá nhiệt hoặc nổ.
  9. **Không sử dụng pin đã hỏng.**
  10. **Pin nén lithium-ion là đối tượng có yêu cầu bắt buộc theo Luật Hàng hoá Nguy hiểm.** Đối với vận tải thương mại, ví dụ như vận tải do bên thứ ba, đại lý giao nhận, thì yêu cầu đặc biệt về đóng gói và nhãn ghi phải được giám sát. Để chuẩn bị cho mặt hàng cần vận chuyển, cần phải tham khảo ý kiến chuyên gia về vật liệu nguy hiểm. Nếu được, vui lòng tuân thủ các quy định quốc gia chi tiết hơn. Buộc hoặc niêm phong các tiếp điểm mở và đóng gói pin theo cách đó để nó không thể di chuyển trong bao bì.
  11. **Khi vứt bỏ hộp pin, hãy tháo chúng khỏi dụng cụ và thái bỏ ở nơi an toàn.** Phải tuân thủ theo các quy định của địa phương liên quan đến việc thái bỏ pin.
  12. **Chỉ sử dụng pin cho các sản phẩm Makita chỉ đinh.** Lắp pin vào sản phẩm không thích hợp có thể gây ra hỏa hoạn, quá nhiệt, nổ, hoặc rò chất điện phân.
  13. **Nếu dụng cụ không được sử dụng trong một thời gian dài, cần phải tháo pin ra khỏi dụng cụ.**
  14. **Trong và sau khi sử dụng, hộp pin có thể bị nóng, có thể gây bỏng hoặc bỏng ở nhiệt độ thấp.** Chú ý xử lý hộp pin nóng.

15. Không chạm vào điện cực của dụng cụ ngay sau khi sử dụng vì điện cực đủ nóng để gây bỏng.
16. Không để vụn bào, bụi hoặc đất bám vào các điện cực, lỗ và rãnh của hộp pin. Việc này có thể dẫn đến hiệu suất kém hoặc hỏng hóc dụng cụ hay hộp pin.
17. Trừ khi dụng cụ hỗ trợ sử dụng gần đường dây điện cao thế, không sử dụng hộp pin gần đường dây điện cao thế. Việc này có thể dẫn đến trực tiếp hoặc hỏng hóc dụng cụ hay hộp pin.
18. Giữ pin tránh xa trẻ em.

## LƯU GIỮ CÁC HƯỚNG DẪN NÀY.

**⚠ THẬN TRỌNG:** Chỉ sử dụng pin Makita chính hãng. Việc sử dụng pin không chính hãng Makita, hoặc pin đã được sửa đổi, có thể dẫn đến nổ pin gây ra cháy, thương tích và thiệt hại cá nhân. Nó cũng sẽ làm mất hiệu lực bảo hành của Makita dành cho dụng cụ của Makita và bộ sạc.

## Mẹo duy trì tuổi thọ tối đa cho pin

1. Sạc hộp pin trước khi pin bị xả điện hoàn toàn. Luôn dừng việc vận hành dụng cụ và sạc pin khi bạn nhận thấy công suất dụng cụ bị giảm.
2. Không được phép sạc lại một hộp pin đã được sạc đầy. Sạc quá mức sẽ làm giảm tuổi thọ của pin.
3. Sạc pin ở nhiệt độ phòng 10°C - 40°C. Để cho hộp pin nóng nguội lại dần trước khi sạc pin.
4. Khi không sử dụng hộp pin, hãy tháo hộp pin ra khỏi dụng cụ hoặc bộ sạc.
5. Sạc pin sáu tháng một lần nếu bạn không sử dụng dụng cụ trong một thời gian dài (hơn sáu tháng).

## MÔ TẢ CÁC BỘ PHẬN

### Kiểu máy DVC150L

(Kiểu máy sử dụng bộ lọc vải (cho bụi khô và ướt))

- **Hình1:** 1. Đầu thùng chứa 2. Phao nổi 3. Lồng phao 4. Bộ lọc vải 5. Thùng chứa

### Kiểu máy DVC151L

(Kiểu máy sử dụng bộ lọc bụi dạng bột (cho bụi khô))

- **Hình2:** 1. Nắp thùng chứa 2. Bộ lọc dạng bột (HEPA) 3. Bộ điều tiết 4. Bộ lọc thô 5. Thùng chứa

## MÔ TẢ CHỨC NĂNG

### Sử dụng với nguồn cấp điện AC:

**⚠ CẢNH BÁO:** Trước khi cắm điện vào máy hút bụi, luôn luôn phải đảm bảo rằng công tắc máy hút bụi đã được tắt. Cắm máy hút bụi mà công tắc đang bật có thể dẫn đến khởi động bất ngờ gây chấn thương cá nhân nghiêm trọng.

Nổi đầu cắm vào nguồn điện.

- **Hình3:** 1. Đầu cắm (hình dạng và chiều dài dây có thể khác nhau tùy theo từng quốc gia)

Đèn chỉ báo nguồn cấp điện AC sáng lên khi đặt công tắc chờ sang phía "I".

- **Hình4:** 1. Đèn chỉ báo nguồn cấp điện AC

**LƯU Ý:** Ngay cả khi vận hành ở chế độ nguồn cấp điện DC, bộ lọc cũng sẽ tự động chuyển sang chế độ nguồn cấp điện AC khi được cắm vào.

**LƯU Ý:** Nếu rút phích cắm máy hút bụi trong quá trình vận hành khi đã lắp pin, máy hút bụi sẽ được chuyển sang trạng thái chờ.

### Sử dụng bằng pin:

**⚠ THẬN TRỌNG:** Luôn đảm bảo rằng đã tắt máy hút bụi, rút phích cắm và tháo hộp pin ra trước khi thực hiện việc điều chỉnh hoặc kiểm tra chức năng trên máy hút bụi.

### Lắp hoặc tháo hộp pin

**⚠ THẬN TRỌNG:** Luôn tắt dụng cụ trước khi lắp hoặc tháo hộp pin.

**⚠ THẬN TRỌNG:** Giữ máy hút bụi và hộp pin thật chắc khi lắp hoặc tháo hộp pin. Không giữ máy hút bụi và hộp pin thật chắc có thể làm trượt chúng khỏi tay và làm hư hỏng dụng cụ và hộp pin hoặc gây thương tích cá nhân.

**⚠ THẬN TRỌNG:** Cẩn thận tránh kẹp ngón tay của bạn khi mở hoặc đóng nắp pin. Nếu không, làm như vậy có thể gây ra thương tích cá nhân.

Để lắp đặt hộp pin, trước tiên mở khóa, và sau đó mở nắp pin. Sau đó, lắp hộp pin vào.

- **Hình5:** 1. Khóa 2. Nắp đáy pin

Đặt thẳng hàng phần chốt nhô ra của hộp pin vào phần rãnh nằm trên vỏ và trượt hộp pin vào vị trí. Đưa hộp pin vào cho đến khi chốt khóa vào đúng vị trí với một tiếng "cách" nhẹ. Sau đó đóng nắp đáy pin.

- **Hình6:** 1. Hộp pin

Để tháo hộp pin, vừa trượt pin ra khỏi dụng cụ vừa trượt nút vào phía trước hộp pin.

**⚠ THẬN TRỌNG:** Luôn lắp hộp pin khớp hoàn toàn vào vị trí cho đến khi không thể nhìn thấy đèn chỉ báo màu đỏ. Nếu không, hộp pin có thể vó ý rơi ra khỏi máy hút bụi, gây thương tích cho bạn hoặc người khác ở xung quanh.

**⚠ THẬN TRỌNG:** Không được dùng sức lắp hộp pin. Nếu hộp pin không nhẹ nhàng trượt vào vị trí, có nghĩa là pin vẫn chưa được lắp đúng.

**LƯU Ý:** Máy hút bụi sẽ không hoạt động nếu chỉ có một hộp pin.

**LƯU Ý:** Thao thích cắm của máy hút bụi ra khỏi dây điện nối dài khi sử dụng máy hút bụi bằng pin.

## Chỉ báo dung lượng pin còn lại

Chỉ dành cho hộp pin có đèn chỉ báo

► **Hình7:** 1. Các đèn chỉ báo 2. Nút Check (kiểm tra)

Ấn nút check (kiểm tra) trên hộp pin để chỉ báo dung lượng pin còn lại. Các đèn chỉ báo bật sáng lên trong vài giây.

Các đèn chỉ báo			Dung lượng còn lại
Bật sáng	Tắt	Nhấp nháy	
			75% đến 100%
			50% đến 75%
			25% đến 50%
			0% đến 25%
			Sạc pin.
			Pin có thể đã bị hỏng.

**LƯU Ý:** Tùy thuộc vào các điều kiện sử dụng và nhiệt độ xung quanh, việc chỉ báo có thể khác biệt một chút so với dung lượng thực sự.

**LƯU Ý:** Đèn chỉ báo (phía xa bên trái) đầu tiên sẽ nhấp nháy khi hệ thống bảo vệ pin hoạt động.

## Chỉ báo dung lượng pin còn lại

► **Hình8:** 1. Đèn chỉ báo pin 2. Nút Check (kiểm tra)

► **Hình9**

Ấn nút Check (kiểm tra) để chỉ báo dung lượng pin còn lại. Đèn chỉ báo pin tương ứng với từng loại pin.

Trạng thái đèn chỉ báo pin			Dung lượng pin còn lại
Bật	Tắt	Nhấp nháy	
			50% đến 100%
			20% đến 50%
			0% đến 20%
			Sạc pin

## Hệ thống bảo vệ dụng cụ / pin

Dụng cụ này được trang bị hệ thống bảo vệ dụng cụ / pin. Hệ thống này sẽ tự động ngắt nguồn điện đến động cơ để kéo dài tuổi thọ dụng cụ và pin. Dụng cụ sẽ tự động dừng vận hành khi dụng cụ hoặc pin ở một trong những trường hợp sau đây:

### Bảo vệ quá tải

Khi vận hành dụng cụ trong điều kiện làm máy tiêu tốn dòng cao bất thường, dụng cụ sẽ tự động dừng lại mà không có bất cứ dấu hiệu nào. Trong trường hợp này, hãy tắt dụng cụ và ngừng ứng dụng làm cho dụng cụ trở nên quá tải. Sau đó bật dụng cụ lên để khởi động lại.

### Bảo vệ quá nhiệt

	Bật		Nhấp nháy

Khi bị quá nhiệt, dụng cụ sẽ tự động dừng, và đèn chỉ báo pin sẽ nhấp nháy khoảng 60 giây. Trong tình huống này, hãy để dụng cụ nguội lại dần trước khi bật dụng cụ một lần nữa.

### Bảo vệ xả điện quá mức

Khi dung lượng pin yếu, thì dụng cụ sẽ tự động dừng. Nếu sản phẩm không vận hành ngay cả khi vận hành công tắc, hãy tháo pin ra khỏi dụng cụ và sạc pin.

## Hoạt động công tắc

► **Hình10:** 1. Công tắc chờ 2. Nút nguồn 3. Nút điều chỉnh lực hút



Để khởi động máy hút bụi:

- Gạt công tắc chờ về phía "I". Máy hút bụi sẽ chuyển sang trạng thái chờ.
- Nhấn nút nguồn.

Để chuyển máy hút bụi sang chế độ chờ, nhấn nút nguồn một lần nữa.

Để tắt máy hút bụi, gạt công tắc chờ về phía "O".

Lực hút có thể được điều chỉnh tùy theo yêu cầu công việc của bạn.

Có thể tăng lực hút bằng cách xoay núm điều chỉnh lực hút từ biểu tượng  đến biểu tượng .

**CHÚ Ý:** Luôn luôn đặt công tắc chờ ở phía “O” khi không sử dụng máy hút bụi trong thời gian dài. Máy hút bụi vẫn tiêu thụ điện năng trong trạng thái chờ.

## Chế độ hút tự động ngừng hoạt động trong khi vận hành hút bụi ướt

Chỉ dành cho kiểu máy dùng bộ lọc vải

**⚠ CẢNH BÁO:** Không sử dụng trong thời gian dài trong khi phao đang hoạt động. Sử dụng máy hút bụi khi phao của máy đang hoạt động trong thời gian dài có thể gây ra quá nhiệt, dẫn đến việc máy hút bị biến dạng.

**⚠ CẢNH BÁO:** Không hút bột hoặc xà phòng lỏng. Hút bột hoặc xà phòng lỏng có thể khiến bột thoát ra theo đường thoát khí trước khi phao hoạt động. Tiếp tục sử dụng trong điều kiện này có thể gây ra điện giật và vỡ máy hút bụi.

Chế độ hút tự động ngừng hoạt động chỉ khi sử dụng với phao và lồng phao.

Máy hút bụi có một cơ chế phao ngăn nước vào động cơ trong khi hút nhiều hơn một lượng nước nhất định. Khi thùng chứa đầy và máy hút bụi không còn hút nước, hãy tắt máy hút bụi và xả nước bình chứa.

## Khóa hoặc mở khóa bánh xe

► **Hình11:** 1. Bánh xe 2. Cần chặn 3. Vị trí THẢ 4. Vị trí KHÓA

Việc khóa bánh xe sẽ tạo thuận tiện khi cất máy hút bụi, tạm ngừng công việc đang làm và giữ cho máy hút bụi đứng yên.

Để điều khiển cần chặn, di chuyển nó bằng tay.

Để khóa bánh xe bằng cần chặn, gạt cần chặn xuống và bánh xe sẽ không quay nữa. Để mở bánh xe từ vị trí bị khóa, nâng cần chặn lên.

**LƯU Ý:** Khi di chuyển máy hút bụi, hãy chắc chắn rằng bánh xe đã được mở khóa. Di chuyển máy hút bụi khi bánh xe ở vị trí bị khóa có thể gây hư hại bánh xe.

## Tay xách

Khi xách máy hút bụi, xách máy bằng cách nắm tay cầm ở trên đầu. Tay cầm có thể kéo gọn vào trong đầu máy khi không sử dụng.

► **Hình12**

## LẮP RÁP

**⚠ THẬN TRỌNG:** Luôn bảo đảm rằng đã tắt máy hút bụi, rút phích cắm và tháo hộp pin trước khi tiến hành bất cứ công việc nào trên máy hút bụi.

**⚠ THẬN TRỌNG:** Luôn luôn đeo mặt nạ chống bụi trong quá trình lắp ráp hoặc bảo trì.

## Lắp bộ lọc dạng bột (HEPA) và bộ lọc thô (đối với bụi khô)

Phụ tùng tùy chọn cho kiểu máy sử dụng bộ lọc vải

**⚠ THẬN TRỌNG:** Không bao giờ được hút nước hay các chất lỏng khác hoặc bụi ướt khi đang sử dụng bộ lọc bụi dạng bột. Hút những thứ này có thể khiến bộ lọc bụi bị vỡ.

Để sử dụng bộ lọc bụi dạng bột:

1. Tháo lồng phao và phao bằng cách tháo các bu lông.

► **Hình13:** 1. Phao nổi 2. Lồng phao

2. Đặt bộ lọc thô vào thùng chứa đúng theo dấu chỉ thị vị trí lắp đặt.

3. Gắn bộ điều tiết lên trên bộ lọc bụi dạng bột và sau đó đặt chúng vào trong bộ lọc thô đúng theo dấu chỉ thị vị trí lắp đặt.

4. Cuối cùng, gắn nắp thùng chứa và khóa nó lại.

► **Hình14:** 1. Nắp thùng chứa 2. Bộ lọc dạng bột (HEPA) 3. Bộ điều tiết 4. Bộ lọc thô 5. Thùng chứa 6. Dấu chỉ thị vị trí lắp đặt

**CHÚ Ý:** Trước khi sử dụng bộ lọc bụi dạng bột, hãy chắc chắn rằng bộ lọc thô và bộ điều tiết luôn được sử dụng cùng với nhau. Không được phép chỉ lắp đặt riêng bộ lọc bụi dạng bột.

## Lắp đặt bộ lọc nước

Phụ tùng tùy chọn cho kiểu máy sử dụng bộ lọc vải

**⚠ THẬN TRỌNG:** Không bao giờ hút nước hoặc bụi ướt mà không có phao và bộ lọc vải hoặc bộ lọc nước.

**⚠ THẬN TRỌNG:** Để hút bụi ướt, hãy bảo đảm rằng lồng phao và phao đã được lắp đặt vào máy hút bụi.

**⚠ THẬN TRỌNG:** Khi lắp đặt bộ lọc nước lên thùng chứa, gắn nó chặt vào phần mở của thùng chứa sao cho móc của bộ lọc nước gắn chắc vào phần mở của thùng chứa và không có khoảng hở nào giữa bộ lọc nước và thùng chứa.

Nếu chỉ hút nước và bụi ướt, bộ lọc nước sẽ thích hợp hơn bộ lọc vải.

Khi lắp đặt bộ lọc nước, căn chỉnh dấu chỉ thị vị trí lắp đặt trên bộ lọc thẳng hàng với dấu trên thùng chứa.

► **Hình15:** 1. Bộ lọc nước 2. Thùng chứa 3. Dấu chỉ thị vị trí lắp đặt

**LƯU Ý:** Chúng tôi khuyến nghị sử dụng bộ lọc nước khi hút khối lượng nước lớn liên tục. Nếu không khả năng hút có thể bị giảm trong trường hợp sử dụng bộ lọc vải.

## Lắp đặt hộp bằng giấy

### Phụ kiện tùy chọn

**⚠ CẢNH BÁO:** Khi sử dụng hộp bằng giấy, hãy sử dụng cùng cả bộ lọc vải hoặc bộ lọc thô đã được lắp đặt sẵn trên máy hút bụi. Nếu không sử dụng cùng bộ lọc vải hoặc bộ lọc thô có thể gây ra tiếng ồn và nhiệt độ bất thường, dẫn đến cháy.

**⚠ THẬN TRỌNG:** (Cho kiểu máy dùng bộ lọc vải)

- Không bao giờ hút nước hay các chất lỏng khác hoặc bụi ướt khi sử dụng hộp bằng giấy. Hút các vật thể này có thể khiến hộp bằng giấy bị rách.
- Trước khi sử dụng hộp bằng giấy, hãy chắc chắn rằng bộ lọc bụi dạng bột (phụ tùng tùy chọn), bộ điều tiết (phụ tùng tùy chọn) và bộ lọc thô luôn được sử dụng cùng nhau.

**⚠ THẬN TRỌNG:** (Đối với kiểu máy dùng bộ lọc bụi dạng bột)

- Trước khi sử dụng hộp bằng giấy, hãy chắc chắn rằng bộ lọc bột, bộ điều tiết và bộ lọc thô luôn được sử dụng cùng nhau.

1. Tháo vòng kẹp cao su.

▶ **Hình16:** 1. Vòng kẹp cao su

2. Mở rộng hộp bằng giấy.

3. Xếp phần mở hộp bằng giấy khớp phần mở hút bụi của máy hút bụi.

4. Lắp bìa cứng của hộp bằng giấy vào vòng kẹp sao cho đúng với vị trí cuối cùng trên phần lồi ra của chốt.

▶ **Hình17:** 1. Hộp bằng giấy 2. Vòng kẹp

## Lắp túi polyethylene

Máy hút bụi cũng có thể được sử dụng mà không cần túi polyethylene. Tuy nhiên, sử dụng túi polyethylene sẽ giúp dễ dàng làm sạch thùng chứa mà không làm bẩn tay của bạn.

Trái túi polyethylene trong thùng chứa. Lắp túi vào giữa tấm đỡ và thùng chứa, và kéo nó vào lối vào ống dẫn.

▶ **Hình18:** 1. Tấm đỡ 2. Túi polyethylene

Trái túi quanh phần đầu của thùng chứa sao cho cạnh của bộ lọc vải / bộ lọc thô có thể kẹp và giữ túi một cách an toàn.

▶ **Hình19:** 1. Bộ lọc vải / bộ lọc thô

**LƯU Ý:** Có thể sử dụng túi polyethylene sẵn có trên thị trường. Khuyến nghị sử dụng túi dày khoảng 0,04 mm hoặc dày hơn.

**LƯU Ý:** Quá nhiều bụi sẽ dễ dàng làm rách túi, do đó, không hút nhiều bụi hơn một nửa dung tích túi.

## Đổ túi polyethylene

**⚠ CẢNH BÁO:** Luôn đảm bảo rằng đã tắt máy hút bụi, rút phích cắm, và tháo hộp pin ra trước khi đổ túi polyethylene. Nếu không làm như vậy có thể gây ra giật điện và gây nguy hiểm cho người sử dụng.

**⚠ THẬN TRỌNG:** Không tác động lực lớn lên lồng phao và thùng chứa. Tác động lực lớn có thể gây ra biến dạng và hư hỏng các bộ phận.

**⚠ THẬN TRỌNG:** Mặc dù điều này phụ thuộc vào khối lượng bụi được hút trong bình chứa hãy làm sạch thùng chứa ít nhất một ngày một lần. Nếu không, lực hút sẽ bị yếu đi và động cơ có thể bị hỏng.

**⚠ THẬN TRỌNG:** Không nắm vào móc khi làm sạch thùng chứa. Nắm vào móc có thể gây vỡ móc.

Tháo móc và nâng nắp thùng chứa.

Lắc bụi từ bộ lọc vải / bộ lọc thô và sau đó lấy túi polyethylene ra khỏi thùng chứa.

▶ **Hình20**

**LƯU Ý:** Lấy cẩn thận túi polyethylene ra khỏi thùng chứa để túi nhựa không bị móc vào và rách bởi phần lồi ra trong thùng chứa khi làm sạch thùng.

**LƯU Ý:** Đổ túi polyethylene trước khi nó bị đầy. Quá nhiều bụi trong thùng chứa có thể làm rách túi polyethylene.

## Lắp hộp công cụ

1. Mở khóa nắp pin và mở nắp pin.

2. Đặt các thanh khớp trên hộp công cụ dọc theo đường rãnh trên vỏ máy.

3. Đóng nắp pin và khóa lại.

▶ **Hình21**

Hộp công cụ tiện lợi cho việc mang theo pin, ổ cắm kéo dài, ống hoặc vòng bit.

▶ **Hình22**

## Nối ống dẫn

**CHÚ Ý:** Không bao giờ tác động lực lên ống dẫn để uốn cong hoặc làm bẹp nó. Không bao giờ di chuyển máy hút bụi bằng ống dẫn. Uốn cong, làm bẹp và kéo ống dẫn có thể làm vỡ hoặc gây biến dạng ống dẫn.

**CHÚ Ý:** Khi hút rác lớn như vụn máy bào bàn, bụi xi măng hay các rác tương tự ngoài các rác nhỏ, hãy sử dụng ống có đường kính trong 38 mm (phụ tùng tùy chọn). Sử dụng ống dẫn có đường kính trong 28 mm (phụ tùng tùy chọn) có thể dẫn đến việc làm tắc và hư hỏng ống.

Lắp ống vào cổng nối với thùng chứa và vận theo chiều kim đồng hồ cho đến khi nó được khóa lại.

▶ **Hình23**



## BẢO TRÌ

**⚠ THẬN TRỌNG:** Hãy luôn chắc chắn rằng máy hút bụi đã được tắt, rút phích cắm và hộp pin đã được tháo ra trước khi cố gắng thực hiện việc kiểm tra hay bảo dưỡng.

**CHÚ Ý:** Không được phép dùng xăng, ét xăng, dung môi, cồn hoặc hóa chất tương tự. Có thể xảy ra hiện tượng mất màu, biến dạng hoặc nứt vỡ.

Để đảm bảo ĐỘ AN TOÀN và ĐỘ TIN CẬY của sản phẩm, việc sửa chữa hoặc bất cứ thao tác bảo trì, điều chỉnh nào đều phải được thực hiện bởi các Trung tâm Dịch vụ Nhà máy hoặc Trung tâm được Makita Ủy quyền và luôn sử dụng các phụ tùng thiết bị thay thế của Makita.

### Cắt giữ dây cấp nguồn

Bạn có thể cuộn dây cung cấp điện xung quanh hộp dụng cụ.

► Hình24

### Cắt giữ phụ tùng

Các ống có thể được đặt vào ngăn chứa ống khi không sử dụng máy hút bụi trong thời gian ngắn.

► Hình25

► Hình26

Ống dẫn có thể được lưu giữ quanh công cụ bằng cách nối các đầu lại.

► Hình27

### Làm sạch bộ lọc vải

#### Chỉ dành cho kiểu máy dùng bộ lọc vải

Bộ lọc vải bị tắc sẽ dẫn đến hiệu suất hút kém. Làm sạch bộ lọc vải theo từng lần sử dụng.

Đề loại bỏ bụi hoặc các hạt mắc bên trong bộ lọc vải, lắc phía đáy khung nhanh và nhiều lần.

► Hình28: 1. Bộ lọc vải

### Làm sạch bộ lọc dạng bột (HEPA) và bộ lọc thô

#### Chỉ dành cho kiểu máy dùng bộ lọc bụi dạng bột

bộ lọc bụi dạng bột, lọc thô và bộ điều tiết bị tắc có thể làm giảm hiệu suất hút. Làm sạch các bộ lọc và bộ điều tiết theo thời gian.

Đề loại bỏ bụi hoặc các hạt mắc bên trong bộ lọc, lắc phía đáy khung nhanh và nhiều lần.

► Hình29

Thình thoảng rửa bộ lọc bụi dạng bột trong nước, giữ và làm khô hoàn toàn trong bóng râm trước khi sử dụng. Không bao giờ rửa bộ lọc bằng máy giặt.

**LƯU Ý:** Không chà hoặc cào xước bộ lọc bụi dạng bột, bộ lọc thô, hoặc bộ điều tiết với các vật cứng như bàn chải nhỏ và bàn chải lớn.

**LƯU Ý:** Các bộ lọc sẽ mòn dần theo thời gian. Khuyến nghị nên có phụ tùng thay thế cho chúng.

## PHỤ KIỆN TỰY CHỌN

**⚠ THẬN TRỌNG:** Các phụ kiện hoặc phụ tùng gắn thêm này được khuyến cáo sử dụng với dụng cụ Makita của bạn theo như quy định trong hướng dẫn này. Việc sử dụng bất cứ phụ kiện hoặc phụ tùng gắn thêm nào khác đều có thể gây ra rủi ro thương tích cho người. Chỉ sử dụng phụ kiện hoặc phụ tùng gắn thêm cho mục đích đã quy định sẵn của chúng.

Nếu bạn cần bất kỳ sự hỗ trợ nào để biết thêm chi tiết về các phụ tùng này, hãy hỏi Trung tâm Dịch vụ của Makita tại địa phương của bạn.

- Ống dẫn
- Ống hơi trước (22, 24, 38)
- Ống thẳng
- Vòi hút góc
- Bàn chải tròn
- Bộ lọc dạng bột, HEPA (cho bụi khô)
- Bộ điều tiết
- Bộ lọc thô
- Bộ phận vòi xả
- Ống cong
- Túi polyethylene
- Hộp bằng giấy
- Bộ khung đỡ
- Bộ Lọc Nước (tùy chọn cho kiểu máy dùng bộ lọc)
- Pin và bộ sạc chính hãng của Makita

**LƯU Ý:** Một số mục trong danh sách có thể được bao gồm trong gói dụng cụ làm phụ kiện tiêu chuẩn. Các mục này ở mỗi quốc gia có thể khác nhau.

### คำเตือน

- เครื่องนี้ไม่ได้ออกแบบมาเพื่อให้ใช้งานโดยบุคคล (รวมถึงเด็ก) ที่มีความบกพร่องทางร่างกาย ประสาทสัมผัส หรือจิตใจ หรือขาดประสบการณ์และความรู้
- เด็กควรอยู่ในความดูแลเพื่อให้มั่นใจว่าจะไม่มาเล่นที่ตู้ตู้
- หากสายไฟชำรุดเสียหาย ให้เปลี่ยนสายไฟที่ศูนย์บริการที่ได้รับการรับรอง
- โปรดอ้างอิงบท “ข้อมูลจำเพาะ” สำหรับอ้างอิงประเภทแบตเตอรี่
- โปรดอ้างอิงส่วน “การติดตั้งหรือการถอดกลับแบตเตอรี่” สำหรับวิธีถอดหรือติดตั้งแบตเตอรี่
- เมื่อกำจัดถั่วแบตเตอรี่ ให้ถอดถั่วแบตเตอรี่ออกจากเครื่องมือและกำจัดในสถานที่ที่ปลอดภัย ปฏิบัติตามข้อบังคับเกี่ยวกับการกำจัดแบตเตอรี่ที่บังคับใช้ในท้องถิ่น
- หากไม่ใช้เครื่องมือเป็นระยะเวลานาน จะต้องถอดแบตเตอรี่ออกจากเครื่องมือ
- อย่าลัดวงจรถั่วแบตเตอรี่
- โปรดอ้างอิงบท “การบำรุงรักษา” สำหรับรายละเอียดข้อควรระวังในระหว่างการซ่อมบำรุง

## ข้อมูลจำเพาะ

รุ่น:		DVC150L	DVC151L
ประเภทของตัวกรองมาตรฐาน		ตัวกรองผ้า (สำหรับฝุ่นชนิดแห้งและเปียก)	ตัวกรองผง (สำหรับฝุ่นชนิดแห้ง)
ปริมาณการไหล (ลม)	การใช้งานกับไฟฟ้ากระแสตรง (ด้วย BL1850B, ท่อ Ø38 mm x 2.5 m)	2.1 m <sup>3</sup> /min	
	การใช้งานกับไฟฟ้ากระแสสลับ (ด้วยท่อ Ø38 mm x 2.5 m)	3.6 m <sup>3</sup> /min	
สูญญากาศ	การใช้งานกับไฟฟ้ากระแสตรง (ด้วย BL1850B, ท่อ Ø38 mm x 2.5 m)	9.0 kPa	
	การใช้งานกับไฟฟ้ากระแสสลับ (ด้วยท่อ Ø38 mm x 2.5 m)	24.0 kPa	
ความจุที่สามารถเก็บได้	ฝุ่น	15 L	
	น้ำ	12 L	-
ขนาด (ยาว x กว้าง x สูง)		366 mm x 334 mm x 421 mm	
แรงดันไฟฟ้าในการใช้ไฟฟ้ากระแสสลับ		ขึ้นอยู่กับแต่ละประเทศ โปรดดูรายละเอียดในแผ่นป้าย	
แรงดันไฟฟ้าที่กำหนดในการใช้งานแบตเตอรี่		D.C. 36 V	
น้ำหนักสุทธิ		8.9 - 9.6 kg	9.6 - 10.3 kg
ระดับการป้องกัน		IPX4	
มาตรฐานความปลอดภัย		II/II	

- เนื่องจากการค้นคว้าวิจัยและพัฒนาอย่างต่อเนื่อง ข้อมูลจำเพาะในเอกสารฉบับนี้อาจเปลี่ยนแปลงได้โดยไม่ต้องแจ้งให้ทราบล่วงหน้า
- ข้อมูลจำเพาะและตลับแบตเตอรี่อาจแตกต่างกันไปในแต่ละประเทศ
- น้ำหนักไม่รวมอุปกรณ์เสริมยกเว้นตลับแบตเตอรี่ น้ำหนักของเครื่องและตลับแบตเตอรี่รวมกันที่น้อยที่สุดและมากที่สุดแสดงอยู่ในตาราง
- สำหรับฝุ่นชนิดเปียก ต้องใช้ลูกกลอยและตัวกรองน้ำ หรือตัวกรองผ้า

## ดัลด์แบดเตอรืและเครืองชาร์จที่ใช้ได้







ดัลด์แบดเตอรื	BL1815N / BL1820B / BL1830B / BL1840B / BL1850B / BL1860B
เครืองชาร์จ	DC18RC / DC18RD / DC18RE / DC18SD / DC18SE / DC18SF / DC18SH

- ดัลด์แบดเตอรืและเครืองชาร์จบางรายการที่แสดงอยู่ด้านบนอาจไม่มีวางจำหน่ายขึ้นอยู่กับภูมิภาคที่คุณอาศัยอยู่

**คำเตือน:** ใช้ดัลด์แบดเตอรืและเครืองชาร์จที่ระบุไว้ข้างบนเท่านั้น การใช้ดัลด์แบดเตอรืและเครืองชาร์จประเภทอื่นอาจก่อให้เกิดความเสี่ยงที่จะได้รับบาดเจ็บและ/หรือเกิดไฟไหม้

### สัญลักษณ์

ต่อไปนี้เป็นสัญลักษณ์ที่อาจใช้สำหรับอุปกรณ์ โปรดศึกษาความหมายของสัญลักษณ์ให้เข้าใจก่อนการใช้งาน

-  อ่านคู่มือการใช้งาน
-  ใช้ความระมัดระวังและความสนใจเป็นพิเศษ
-  คำเตือน: เครื่องดูดฝุ่นอาจมีฝุ่นชนิดอันตราย
-  อาย่ยึบนบนเครืองดูดฝุ่นโดยเด็ดขาด
-  ฝุ่นประเภท L (เบา) เครื่องดูดฝุ่นสามารถดูดฝุ่นประเภท L ได้ กรุณาปฏิบัติตามข้อบ่งชี้เกี่ยวกับฝุ่นและอาชีวอนามัยและความปลอดภัยของประเทศคุณ
-  ฉนวนสองชั้น



สำหรับประเทศในสหภาพยุโรปเท่านั้น เนื่องจากในอุปกรณ์มีส่วนประกอบอันตราย ชยะจำพวกอุปกรณ์ไฟฟ้าและอิเล็กทรอนิกส์ แบดเตอรื และหม้อแบดเตอรืจึงอาจส่งผลกระทบต่อสิ่งแวดล้อมและสุขภาพของมนุษย์ในเชิงลบ อย่างไรก็ตามเครื่องใช้ไฟฟ้าและอิเล็กทรอนิกส์หรือแบดเตอรืร่วมกับวัสดุเหลือทิ้งในครัวเรือน!

เพื่อให้เป็นไปตามกฎระเบียบของยุโรปว่าด้วยชยะจำพวกอุปกรณ์ไฟฟ้าและอิเล็กทรอนิกส์ และหม้อสะสมไฟฟ้าและแบดเตอรื รวมถึงการบังคับใช้ตามกฎหมายภายในประเทศ ควรมีการจัดเก็บชยะจำพวกอุปกรณ์ไฟฟ้า แบดเตอรื และหม้อสะสมไฟฟ้าแยกต่างหากและส่งไปยังจุดรับชยะต่างหากในเขตเทศบาลซึ่งมีการดำเนินการตามระเบียบว่าด้วยการดูแลสิ่งแวดล้อม

โดยระบุด้วยสัญลักษณ์เส้นคาบขาวรูปถังชยะแบบมีล้อไว้บนอุปกรณ์

### จุดประสงค์การใช้งาน

เครืองมือนี้เหมาะสำหรับการใช้งานเพื่อการพาณิชย์ เช่น ในโรงแรม โรงเรียน โรงพยาบาล โรงงาน ร้านค้า สำนักงาน และธุรกิจให้เช่าต่าง ๆ

**DVC150L**  
เครืองมือนี้ใช้สำหรับดูดฝุ่นทั้งชนิดแห้งและเปียก

**DVC151L**  
เครืองมือนี้ใช้สำหรับดูดฝุ่นชนิดแห้งเท่านั้น

## แหล่งจ่ายไฟ

ควรเชื่อมต่อเครื่องมือกับแหล่งจ่ายไฟที่มีแรงดันไฟฟ้าตามที่ระบุไว้ในป้ายข้อมูลของเครื่องมือ และจะต้องใช้ไฟฟ้ากระแสสลับแบบเฟสเดียวเท่านั้น อุปกรณ์นี้ได้รับการคุ้มครองสองชั้นและสามารถใช้กับปลั๊กไฟที่ไม่มีสายดินได้

## คำเตือนด้านความปลอดภัย

### คำเตือนด้านความปลอดภัยของเครื่องดูดฝุ่นมีสายและไร้สาย

**คำเตือน:** ข้อควรจำ โปรดอ่านคำเตือนด้านความปลอดภัยและคำแนะนำทั้งหมดอย่างละเอียดก่อนใช้งาน การไม่ปฏิบัติตามคำเตือนและคำแนะนำดังกล่าวอาจส่งผลให้ไฟฟ้าช็อต ไฟไหม้ และ/หรือได้รับบาดเจ็บร้ายแรง

1. ก่อนใช้งาน ตรวจสอบให้แน่ใจว่าเครื่องดูดฝุ่นนั้นจะถูกใช้งานโดยผู้ที่ได้รับการฝึกใช้เครื่องดูดฝุ่นนั้นมาอย่างเพียงพอ
2. ก่อนใช้ ผู้ปฏิบัติงานควรได้รับข้อมูล คำแนะนำ และการฝึกอบรมการใช้เครื่องและวัตถุที่สามารถใช้เครื่องนี้ได้ รวมถึงวิธีการถอดชิ้นส่วนและการทิ้งวัสดุที่ถูกดูดอย่างปลอดภัย
3. หากมีไฟไหม้/ของเหลวไหลออกมา ให้ปิดสวิตช์ทันที
4. ทำความสะอาดอุปกรณ์จำกัระดับน้ำเป็นประจำ และตรวจสอบสัญญาณความเป็นอันตราย
5. อย่าใช้งานเครื่องดูดฝุ่นโดยไม่มีตัวกรอง เปลี่ยนตัวกรองที่ชำรุดทันที
6. การใช้สายต่อพ่วง เมื่อใช้สายต่อพ่วงเนื่องจากแหล่งพลังงานอยู่ห่างจากเครื่องดูดฝุ่น ให้พยายามใช้สายไฟที่มีความหนาเพียงพอแต่ไม่ควรยาวจนเกินไป ไม่เช่นนั้นอาจส่งผลเสียต่อประสิทธิภาพการทำงานของเครื่องดูดฝุ่นได้ สำหรับการใช้งานนอกอาคารให้ใช้สายต่อพ่วงที่เหมาะสมสำหรับการใช้งานนอกอาคาร
7. คำเตือนเกี่ยวกับแรงดันไฟฟ้า: ก่อนเชื่อมต่อเครื่องดูดฝุ่นกับแหล่งพลังงาน (เต้ารับ ช่องเสียบ ฯลฯ) ตรวจสอบให้แน่ใจว่าแรงดันไฟฟ้าที่ใช้เท่ากับแรงดันไฟฟ้าที่ระบุบนป้ายข้อมูลของเครื่องดูดฝุ่น แหล่งพลังงานที่มีแรงดันไฟฟ้าสูงกว่าที่ระบุให้ใช้สำหรับเครื่องดูดฝุ่นนี้อาจส่งผลให้ผู้ใช้งานได้รับบาดเจ็บสาหัส รวมถึงทำให้เครื่องดูดฝุ่นเสียหายได้ หากไม่แน่ใจ อย่าเสียบปลั๊กเครื่องดูดฝุ่น การใช้แหล่งพลังงานที่มีแรงดันไฟฟ้าน้อยกว่าที่ระบุไว้ที่ป้ายข้อมูลของเครื่องมือนั้นจะเป็นอันตรายต่อมอเตอร์
8. หลีกเลี่ยงไม่ให้เปิดใช้งานโดยไม่ตั้งใจ ตรวจสอบให้แน่ใจว่าสวิตช์ปิดอยู่เมื่อเสียบปลั๊ก
9. อย่าพยายามดูดวัสดุไวไฟ ดอกไม้ไฟ บุหรี่ที่จุดไฟอยู่ ชี้อ่างร้อน เศษโลหะร้อน วัสดุมีคม เช่น มีดโกน เข็ม แก้วแตก หรือสิ่งที่มีลักษณะอื่น
10. ห้ามใช้งานเครื่องดูดฝุ่นในบริเวณที่ใกล้กับแก๊สโซลีน แก๊ส สี ทาว หรือวัตถุอื่นที่มีความเสี่ยงจะระเบิดสูง เนื่องจากสวิตช์จะเกิดประกายไฟขณะเปิดและปิด เช่นเดียวกันกับคอมมิวเตเตอร์ของมอเตอร์ในระหว่างการใช้งาน ซึ่งอาจส่งผลให้เกิดการระเบิดที่เป็นอันตรายได้
11. ห้ามดูดวัสดุที่เป็นพิษ วัสดุก่อมะเร็ง วัสดุติดไฟได้ หรือวัสดุอื่น ๆ ที่เป็นอันตราย เช่น แร่ใยหิน สารหนู แร่ใยหิน เมล็ดลิ้มม ตะกั่ว ยาฆ่าแมลง หรือวัสดุอื่น ๆ ที่เป็นอันตรายต่อสุขภาพ
12. วางเครื่องดูดฝุ่นราบบนพื้นผิวส่วนเรียบเสมอเพื่อป้องกันไม่ให้ตกหรือเคลื่อนที่โดยไม่ได้ตั้งใจ
13. ห้ามใช้งานเครื่องดูดฝุ่นนอกอาคารในขณะที่ฝนตก
14. สำหรับพินแลนด์ เครื่องนี้ไม่สามารถใช้งานนอกบ้านในอุณหภูมิต่ำได้
15. อย่าใช้งานใกล้กับแหล่งความร้อน (เตาไฟ ฯลฯ)
16. หากไอเสียบกลับเข้ามาในห้อง จำเป็นต้องใช้มาตรการเปลี่ยนแรงลมที่เหมาะสมในห้อง โปรดอ้างอิงระเบียบที่บังคับใช้ในประเทศ
17. ป้องกันการเกิดไฟฟ้าช็อต โดยป้องกันร่างกายไม่ให้สัมผัสกับพื้นผิวที่มีการเชื่อมต่อสายดิน ตัวอย่างเช่น ท่อ เครื่องนำความร้อน หมอน้ำ ผ่นกันตู้เย็น
18. อย่าปิดกั้นช่องระบายความร้อน ช่องระบายเหล่านี้ช่วยทำให้มอเตอร์เย็นลง จึงควรระมัดระวังเพื่อหลีกเลี่ยงการปิดกั้นช่องดังกล่าว ไม่เช่นนั้นมอเตอร์อาจไหม้เนื่องจากการระบายอากาศไม่เพียงพอ
19. รักษาที่ยืนและความสมดุลที่เหมาะสมตลอดเวลา
20. อย่าใช้สายไฟผิดวัตถุประสงค์ ห้ามถือเครื่องดูดฝุ่นด้วยสายไฟหรือถอดสายไฟจากเต้ารับโดยการกระชาก รักษาสายไฟให้ห่างจากความร้อน น้ำมัน และขอบที่มีความแหลมคม ตรวจสอบสายไฟของเครื่องดูดฝุ่นเป็นระยะ และหากชำรุด ให้ส่งซ่อมที่ศูนย์บริการที่ได้รับการรับรอง ตรวจสอบสายต่อพ่วงเป็นระยะ และเปลี่ยนใหม่หากชำรุด
21. อย่าพับ ดึง หรือเหยียบบนท่อ
22. หยุดเครื่องดูดฝุ่นทันที หากคุณสังเกตเห็นประสิทธิภาพการทำงานของเครื่องลดลงหรือมีความผิดปกติใดๆ ระหว่างการปฏิบัติงาน
23. ถอดปลั๊กเครื่องดูดฝุ่น เมื่อไม่ได้ใช้งาน ก่อนการบำรุงรักษา และเมื่อเปลี่ยนอุปกรณ์เสริมต่างๆ

24. ทำความสะอาดและบำรุงรักษาเครื่องดูดฝุ่นทันทีหลังการใช้แต่ละครั้งเพื่อรักษาสภาพการทำงานของเครื่องที่ดีที่สุด
  25. ดูแลรักษาเครื่องดูดฝุ่นด้วยความใส่ใจ โดยดูแลให้เครื่องดูดฝุ่นสะอาดอยู่เสมอเพื่อประสิทธิภาพการทำงานที่ดีและปลอดภัยยิ่งขึ้น ปฏิบัติตามคำแนะนำสำหรับการเปลี่ยนอุปกรณ์เสริม ดูแลเมื่อจับให้แห้งสะอาด และไม่มันน้ำมันและจาระบีเปื้อน
  26. ตรวจสอบส่วนที่เสียหาย ก่อนใช้งานเครื่องดูดฝุ่นในครั้งต่อไป ควรตรวจสอบที่ป้องกันหรือชิ้นส่วนอื่นๆ ที่ชำรุดอย่างละเอียดเพื่อให้แน่ใจว่าส่วนต่างๆ จะทำงานได้อย่างเหมาะสมและทำงานได้ตามฟังก์ชันที่ระบุไว้ ตรวจสอบการวางแนวของชิ้นส่วนเคลื่อนที่ การติดขัดของชิ้นส่วนเคลื่อนที่ ความเสียหายของชิ้นส่วน การติดตั้ง และสภาพอื่นๆ ที่อาจส่งผลกระทบต่อการทำงานของเครื่อง ควรนำที่ป้องกันหรือชิ้นส่วนอื่นที่ชำรุดเข้ารับการซ่อมแซมหรือเปลี่ยนใหม่อย่างเหมาะสมโดยศูนย์บริการที่ได้รับการรับรองหรือที่อื่นๆ ที่ระบุไว้ในคู่มือการใช้งานนี้ ให้ศูนย์บริการที่ได้รับการรับรองเป็นผู้เปลี่ยนสวิตช์ที่ชำรุด อย่าใช้งานเครื่องดูดฝุ่นหากสวิตช์ไม่ปิดหรือเปิดอย่างเหมาะสม
  27. หากผู้ใช้ต้องการทำการบำรุงรักษา ต้องถอดแยกทำความสะอาด และทำการบำรุงรักษาเครื่องเท่าที่สามารถทำได้อย่างเหมาะสม โดยไม่ก่อให้เกิดความเสี่ยงต่อพนักงานบำรุงรักษาและผู้อื่น
  28. เครื่องนี้ควรได้รับการตรวจสอบทางเทคนิคอย่างน้อยปีละครั้ง โดยผู้ผลิตหรือบุคคลที่ผ่านการอบรมมาแล้ว รายการที่ตรวจสอบ เช่น การตรวจสอบความเสียหายของตัวกรอง การรั่วไหลของอากาศของเครื่อง และฟังก์ชันการทำงานของกลไกควบคุมที่เหมาะสม เป็นต้น
  29. เมื่อทำการบำรุงรักษาหรือซ่อมแซม สิ่งปนเปื้อนที่ไม่สามารถทำความสะอาดได้ตามที่ต้องการทั้งหมดจะต้องถูกกำจัดทิ้ง โดยจะต้องทิ้งในถุงที่น้ำหรือก๊าซผ่านเข้าไม่ได้ตามข้อบังคับปัจจุบันว่าด้วยการกำจัดของเสียดังกล่าว
  30. อะไหล่ทดแทน เมื่อบำรุงรักษา ให้ใช้อะไหล่ทดแทนที่เหมือนกันกับของเดิมเท่านั้น
  31. การเก็บรักษาเครื่องดูดฝุ่นที่ไม่ได้ใช้งาน เมื่อไม่ใช้งาน ควรเก็บเครื่องดูดฝุ่นไว้ในที่ร่ม
  32. จะต้องทำให้ตัวกรองเปียกและชิ้นส่วนด้านในของภาชนะใส่ของเหลวแห้งสนิทก่อนการเก็บรักษา
  33. ใช้เครื่องดูดฝุ่นด้วยความระมัดระวัง การใช้เครื่องดูดฝุ่นอย่างรุนแรงอาจทำให้เครื่องดูดฝุ่นที่แม้จะผลิตขึ้นอย่างแข็งแรงที่สุดแล้วเกิดความเสียหายได้
  34. อย่าพยายามทำความสะอาดพื้นผิวภายนอกและภายในของเครื่องด้วยเบนซิน ทินเนอร์ หรือสารเคมีสำหรับทำความสะอาด เนื่องจากอาจทำให้เกิดการรั่วหรือเปลี่ยนสีได้
  35. อย่าใช้เครื่องดูดฝุ่นในพื้นที่ปิดที่มีประกายไฟหรือประกายไฟที่เกิดการระเบิดได้ หรือเป็นพิษซึ่งถูกปล่อยออกจากสีที่มีส่วนผสมหลักเป็นน้ำมัน ทินเนอร์ผสมสี แก๊สโซลีน หรือสารป้องกันแมลงบางชนิด ชลข หรืออินบรีเวทที่มีฝุ่นที่ติดไฟได้
  36. อย่าวางสายไฟของเครื่องดูดฝุ่นไว้บนพื้นหลังจากเสร็จสิ้นการทำความสะอาดแล้ว เนื่องจากอาจเกิดอันตรายจากการสะดุดหรืออาจทำให้เครื่องดูดฝุ่นเสียหายได้
  37. อย่าใช้งานเครื่องดูดฝุ่นหรือเครื่องมืออื่นๆ ขณะมีนเมา ยาเสพติดหรือสุรา
  38. ตามกฎพื้นฐานด้านความปลอดภัย ให้ใช้แว่นตากันลม กระจกหรือแว่นตาชนิดอื่นที่มีเกราะป้องกันด้านข้าง และใช้หน้ากากป้องกันฝุ่นในสภาวะการทำงานที่เต็มไปด้วยฝุ่น
  39. เครื่องนี้ไม่ได้ออกแบบมาเพื่อให้ใช้งานโดยบุคคล (รวมถึงเด็ก) ที่มีความบกพร่องทางร่างกาย ประสาทสัมผัส หรือจิตใจ หรือขาดประสบการณ์และความรู้
  40. เด็กควรอยู่ในความดูแลเพื่อให้มั่นใจว่าจะไม่มาเล่นที่ดูดฝุ่น
  41. ห้ามใช้มือที่เปียกถือสายไฟหรือเครื่องดูดฝุ่น
  42. ใช้ความระมัดระวังให้มากเมื่อทำความสะอาดบันได
  43. อย่าใช้เครื่องดูดฝุ่นเป็นม้านั่งหรือม้านั่งทำงาน เนื่องจากเครื่องอาจล้มลงมาและทำให้ได้รับบาดเจ็บได้
- การใช้งานและดูแลเครื่องมือที่ใช้แบตเตอรี่
1. ชาร์จไฟใหม่ด้วยเครื่องชาร์จที่ระบุโดยผู้ผลิตเท่านั้น เครื่องชาร์จที่เหมาะสมสำหรับชุดแบตเตอรี่ประเภทนี้อาจเสี่ยงที่จะเกิดไฟไหม้หากนำไปใช้กับชุดแบตเตอรี่อีกประเภทหนึ่ง
  2. ใช้เครื่องมือไฟฟ้ากับชุดแบตเตอรี่ที่กำหนดมาโดยเฉพาะเท่านั้น การใช้ชุดแบตเตอรี่ประเภทนี้อาจทำให้เสี่ยงที่จะได้รับบาดเจ็บและเกิดไฟไหม้
  3. เมื่อไม่ใช้งานชุดแบตเตอรี่ ให้เก็บห่างจากวัตถุที่เป็นโลหะอื่นๆ เช่น คลิปหนีบกระดาษ เหรียญ กุญแจ กรรไกรตัดเล็บ สกรู หรือวัตถุที่เป็นโลหะขนาดเล็กอื่นๆ ที่สามารถเชื่อมต่อกับขั้วหนึ่งกับอีกขั้วหนึ่งได้ การลัดวงจรชุดแบตเตอรี่อาจทำให้อ่อนจัดหรือเกิดไฟไหม้

4. ในกรณีที่ใช้งานไม่ถูกต้อง อาจมีของเหลวไหลออกจากแบตเตอรี่ ให้หลีกเลี่ยงการสัมผัส หากสัมผัสโดนของเหลวโดยไม่ตั้งใจ ให้ล้างออกด้วยน้ำ หากของเหลวกระเด็นเข้าตา ให้รีบไปพบแพทย์ ของเหลวที่ไหลออกจากแบตเตอรี่อาจทำให้ผิวหนังระคายเคืองหรือไหม้
5. ห้ามใช้ชุดแบตเตอรี่หรือเครื่องมือที่ชำรุดหรือมีการแก้ไข แบตเตอรี่ที่เสียหายหรือมีการแก้ไขอาจทำให้เกิดสิ่งที่ไม่ดีได้ เช่น ไฟไหม้ ระเบิด หรือเสียงต่อการบาดเจ็บ
6. ห้ามใช้ชุดแบตเตอรี่อยู่ใกล้ไฟ หรือบริเวณที่มีอุณหภูมิสูงเกิน หากโดนไฟ หรืออุณหภูมิสูงเกิน 130 °C อาจก่อให้เกิดการระเบิดได้
7. กรุณาปฏิบัติตามคำแนะนำสำหรับการชาร์จไฟ และห้ามชาร์จแบตเตอรี่หรือเครื่องมือในบริเวณที่มีอุณหภูมิบนนอกเหนือไปจากที่ระบุในคำแนะนำ การชาร์จไฟที่ไม่เหมาะสม หรืออุณหภูมิบนนอกเหนือไปจากช่วงอุณหภูมิที่ระบุในคำแนะนำอาจทำให้แบตเตอรี่เสียหายและเป็นการเพิ่มความเสี่ยงในการเกิดไฟไหม้
5. ห้ามลัดวงจรตลับแบตเตอรี่:
  - (1) ห้ามแตะขั้วกับวัตถุที่เป็นสื่อไฟฟ้าใดๆ
  - (2) หลีกเลี่ยงการเก็บตลับแบตเตอรี่ไว้ในภาชนะร่วมกับวัตถุที่เป็นโลหะ เช่น กรรไกรตัดเล็บ เหรียญ ฯลฯ
  - (3) อย่าให้ตลับแบตเตอรี่ถูกน้ำหรือฝน แบตเตอรี่ลัดวงจรอาจทำให้เกิดการไหลของกระแสไฟฟ้า ร้อนจัด ไหม้หรือเสียหายได้
6. ห้ามเก็บและใช้เครื่องมือและตลับแบตเตอรี่ไว้ในสถานที่ที่มีอุณหภูมิสูงถึงหรือเกิน 50 °C (122 °F)
7. ห้ามเผาตลับแบตเตอรี่ทิ้ง แม้ว่าแบตเตอรี่จะเสียหายจนใช้การไม่ได้หรือเสื่อมสภาพแล้ว ตลับแบตเตอรี่อาจจะระเบิดในกองไฟ
8. อย่าถอดตะปู ตัด บด ขั้วง หรือทำตลับแบตเตอรี่หล่นพื้น หรือกระแทกตลับแบตเตอรี่กับวัตถุของแข็ง การกระทำดังกล่าวอาจส่งผลให้เกิดไฟไหม้ ความร้อนที่สูงเกินไป หรือระเบิดได้
9. ห้ามใช้แบตเตอรี่ที่เสียหาย
10. แบตเตอรี่ลิเทียมไอออนที่มีมาให้ห็นเป็นไปตามข้อกำหนดของ Dangerous Goods Legislation สำหรับการขนส่งเพื่อการพาณิชย์ เช่น โดยบุคคลที่สาม ตัวแทนขนส่งสินค้า จะต้องตรวจสอบข้อกำหนดพิเศษในด้านการบรรจุหีบห่อหรือการติดป้ายสินค้าในการเตรียมสินค้าที่จะขนส่ง ให้ปรึกษาผู้เชี่ยวชาญด้านวัตถุอันตราย โปรดตรวจสอบข้อกำหนดในประเทศที่อาจมีรายละเอียดอื่น ๆ เพิ่มเติม ให้ติดเทปหรือปิดหน้าสัมผัสและห่อแบตเตอรี่ในลักษณะที่แบตเตอรี่จะไม่เคลื่อนที่ไปมาในหีบห่อ

## ปฏิบัติตามคำแนะนำเหล่านี้

**คำเตือน:** อย่าให้ความไม่ระมัดระวังหรือความคุ้นเคยกับผลิตภัณฑ์ (จากการใช้งานซ้ำหลายครั้ง) อยู่เหนือการปฏิบัติตามกฎเกณฑ์ด้านความปลอดภัยในการใช้งาน ผลิตภัณฑ์อย่างเคร่งครัด การใช้งานอย่างไม่เหมาะสมหรือการไม่ปฏิบัติตามกฎเกณฑ์ด้านความปลอดภัยในคู่มือการใช้งานนี้อาจทำให้ได้รับบาดเจ็บร้ายแรง

### คำแนะนำเพื่อความปลอดภัยที่สำคัญสำหรับตลับแบตเตอรี่

1. ก่อนใช้งานตลับแบตเตอรี่ให้อ่านคำแนะนำและเครื่องหมายเตือนทั้งหมดบน (1) เครื่องชาร์จแบตเตอรี่ (2) แบตเตอรี่ และ (3) ตัวผลิตภัณฑ์ที่ใช้แบตเตอรี่
2. อย่าถอดแยกชิ้นส่วนหรือทำการดัดแปลงตลับแบตเตอรี่ เนื่องจากอาจทำให้เกิดไฟไหม้ ความร้อนที่สูงเกินไป หรือระเบิดได้
3. หากระยะเวลาที่เครื่องทำงานสั้นเกินไป ให้หยุดใช้งานทันที เนื่องจากอาจมีความเสี่ยงที่จะร้อนจัด ไหม้หรือระเบิดได้
4. หากสารละลายอิเล็กโทรไลต์กระเด็นเข้าตา ให้ล้างออกด้วยน้ำเปล่าและรีบไปพบแพทย์ทันที เนื่องจากอาจทำให้ตาบอด
11. เมื่อกำจัดตลับแบตเตอรี่ ให้ถอดตลับแบตเตอรี่ออกจากเครื่องมือและกำจัดในสถานที่ที่ปลอดภัย ปฏิบัติตามข้อบังคับในท้องถิ่นเกี่ยวกับการกำจัดแบตเตอรี่
12. ใช้แบตเตอรี่กับผลิตภัณฑ์ที่ระบุโดย Makita เท่านั้น การติดตั้งแบตเตอรี่ในผลิตภัณฑ์ที่ไม่ใช่ตามที่ระบุอาจทำให้เกิดไฟไหม้ ความร้อนสูง ระเบิด หรืออิเล็กทรอนิกส์รั่วไหลได้
13. หากไม่ใช่เครื่องมือเป็นระยะเวลานาน จะต้องถอดแบตเตอรี่ออกจากเครื่องมือ
14. ในระหว่างและหลังการใช้งาน ตลับแบตเตอรี่อาจร้อนซึ่งอาจลวกผิวหรือทำให้ผิวไหม้ที่อุณหภูมิทำได้ โปรดระมัดระวังในการจัดการกับแบตเตอรี่ที่ร้อน
15. อย่าสัมผัสขั้วของเครื่องมือทันทีหลังจากการใช้งาน เนื่องจากอาจมีความร้อนพอที่จะทำให้ผิวไหม้ได้

16. อย่าปล่อยให้เศษวัสดุ ฝุ่นผง หรือดินเข้าไปติดอยู่ในตัว รู และร่องของดัลล์แบตเตอรี่ เนื่องจากอาจทำให้เครื่องมือหรือดัลล์แบตเตอรี่มีประสิทธิภาพลดลงหรือเสียหายได้
17. หากเครื่องมือไม่รองรับสายไฟแรงดันสูง อย่าใช้ดัลล์แบตเตอรี่ใกล้กับสายไฟแรงดันสูง เนื่องจากเครื่องมือหรือดัลล์แบตเตอรี่อาจทำงานผิดปกติหรือเสียหายได้
18. เก็บแบตเตอรี่ให้ห่างจากเด็ก

### ปฏิบัติตามคำแนะนำเหล่านี้

**⚠ ข้อควรระวัง:** ใช้แบตเตอรี่ของแท้จาก Makita เท่านั้น การใช้แบตเตอรี่ Makita ที่ไม่แท้ หรือแบตเตอรี่ที่ถูกเปลี่ยน อาจทำให้แบตเตอรี่ระเบิด ก่อให้เกิดเพลิงลุกไหม้ การบาดเจ็บ และความเสียหายได้ และจะทำให้การรับประกันของ Makita สำหรับเครื่องมือและแท่นชาร์จของ Makita เป็นโมฆะด้วย

### เคล็ดลับในการรักษาอายุการใช้งานของ

#### แบตเตอรี่ให้ยาวนานที่สุด

1. ชาร์จดัลล์แบตเตอรี่ก่อนที่ไฟจะหมด หยุดการใช้งานแล้วชาร์จประจุไฟฟ้าใหม่ทุกครั้งเมื่อคุณรู้สึกว่าอุปกรณ์มีกำลังลดลง
2. อย่าชาร์จดัลล์แบตเตอรี่ที่มีไฟเต็มแล้ว การชาร์จประจุไฟฟ้ามากเกินไปอาจจะทำให้อายุการใช้งานของดัลล์แบตเตอรี่สั้นลง
3. ชาร์จประจุไฟฟ้าดัลล์แบตเตอรี่ในห้องที่มีอุณหภูมิระหว่าง 10 °C - 40 °C ปล่อยให้ดัลล์แบตเตอรี่เย็นลงก่อนที่จะชาร์จไฟ
4. เมื่อไม่ใช้ดัลล์แบตเตอรี่ ให้ถอดออกจากเครื่องมือหรือเครื่องชาร์จ
5. ชาร์จไฟดัลล์แบตเตอรี่หากคุณไม่ต้องการใช้เป็นเวลานาน (เกินกว่าหกเดือน)

## คำอธิบายชิ้นส่วนต่างๆ

### รุ่น DVC150L

(รุ่นตัวกรองผ้า (สำหรับฝุ่นชนิดแห้งและเปียก))

- **หมายเลข 1:** 1. ฝาครอบถัง 2. ลูกลอย 3. กรงลูกลอย 4. ตัวกรองผ้า 5. ถัง

### รุ่น DVC151L

(รุ่นตัวกรองผง (สำหรับฝุ่นชนิดแห้ง))

- **หมายเลข 2:** 1. ฝาครอบถัง 2. ตัวกรองผง (HEPA) 3. ตัวหน่วงการสะเทือน 4. แผ่นกรองชั้นต้น 5. ถัง

## คำอธิบายการทำงาน

### ใช้กับไฟฟ้ากระแสสลับ:

**⚠ คำเตือน:** ก่อนเสียบปลั๊กเครื่องดูดฝุ่น ตรวจสอบให้แน่ใจเสมอว่าสวิตช์ของเครื่องดูดฝุ่นปิดอยู่ การเสียบปลั๊กเครื่องดูดฝุ่นโดยที่สวิตช์เปิดอยู่อาจทำให้เครื่องเริ่มทำงานโดยไม่ได้ตั้งใจซึ่งส่งผลให้ได้รับบาดเจ็บสาหัสได้

เชื่อมต่อกับปลั๊กเข้ากับแหล่งจ่ายไฟ

- **หมายเลข 3:** 1. ปลั๊ก (รูปร่างและความยาวของสายไฟอาจแตกต่างกันไปในแต่ละประเทศ)

ไฟฟeszไฟฟ้ากระแสสลับจะสว่างขึ้นเมื่อดึงคำสั่งสวิตช์เตรียมพร้อมไปทางด้าน "I"

- **หมายเลข 4:** 1. ไฟฟeszไฟฟ้ากระแสสลับ

**หมายเหตุ:** แม้ว่าจะใช้งานในโหมดไฟฟ้ากระแสตรง เครื่องดูดฝุ่นจะเปลี่ยนเป็นโหมดไฟฟ้ากระแสสลับโดยอัตโนมัติเมื่อเสียบปลั๊ก

**หมายเหตุ:** หากถอดปลั๊กเครื่องดูดฝุ่นในระหว่างที่ใช้งานอยู่โดยที่เสแบตเตอรี่เอาไว้ เครื่องดูดฝุ่นจะเข้าสู่สถานะเตรียมพร้อม

### การใช้งานด้วยแบตเตอรี่:

**⚠ ข้อควรระวัง:** ตรวจสอบให้แน่ใจว่าปิดสวิตช์ ถอดปลั๊ก และนำดัลล์แบตเตอรี่ออกเรียบร้อยแล้วก่อนทำการปรับหรือตรวจสอบฟังก์ชันบนเครื่องดูดฝุ่น



## การใส่หรือการถอดดัลล์แบตเตอรี่

**⚠️ ข้อควรระวัง:** ปิดสวิตช์เครื่องมือก่อนทำการติดตั้งหรือการถอดดัลล์แบตเตอรี่เสมอ

**⚠️ ข้อควรระวัง:** จับเครื่องตุ๊ดฝุ่นและดัลล์แบตเตอรี่ให้แน่นเมื่อทำการติดตั้งหรือถอดดัลล์แบตเตอรี่ออก หากไม่จับเครื่องตุ๊ดฝุ่นและดัลล์แบตเตอรี่ให้แน่นอาจทำให้เครื่องหรือดัลล์แบตเตอรี่ลื่นหลุดออกจากมือ และส่งผลให้เกิดความเสียหายกับเครื่องตุ๊ดฝุ่นและดัลล์แบตเตอรี่ รวมถึงทำให้ได้รับบาดเจ็บได้

**⚠️ ข้อควรระวัง:** ระวังอย่าให้หนึบนิ้วขณะเปิดเปิดหรือปิดฝาครอบแบตเตอรี่ มิฉะนั้น อาจก่อให้เกิดการบาดเจ็บได้

การติดตั้งดัลล์แบตเตอรี่ ให้ปล่ยลือกก่อน จากนั้นให้เปิดฝาครอบแบตเตอรี่ หลังจากนั้นให้ใส่ดัลล์แบตเตอรี่เข้าไป

► **หมายเลข 5:** 1. ล็อก 2. ฝาครอบแบตเตอรี่

จัดแนวสันบนดัลล์แบตเตอรี่ให้ตรงกับร่องบนตัวเครื่องมือแล้วเลื่อนดัลล์แบตเตอรี่เข้าที่ ติดตั้งดัลล์แบตเตอรี่เข้าจนสุดจนกระทั่งได้ยินเสียงคลิกล็อกเข้าที่ จากนั้นล็อกฝาครอบแบตเตอรี่

► **หมายเลข 6:** 1. ดัลล์แบตเตอรี่

การถอดดัลล์แบตเตอรี่ ให้เลื่อนดัลล์ออกจากเครื่องมือในขณะที่เลื่อนปุ่มที่อยู่ด้านหน้าของดัลล์ไปด้วย

**⚠️ ข้อควรระวัง:** ติดตั้งดัลล์แบตเตอรี่เข้าไปจนสุดจนกระทั่งไม่เห็นไฟเตือนสีแดงเสมอ ไม่เช่นนั้นดัลล์แบตเตอรี่อาจหล่นออกจากเครื่องตุ๊ดฝุ่น ซึ่งส่งผลให้คุณหรือผู้ที่อยู่รอบตัวคุณได้รับบาดเจ็บได้

**⚠️ ข้อควรระวัง:** อย่าฝืนติดตั้งดัลล์แบตเตอรี่โดยใช้แรงมากเกินไป หากดัลล์แบตเตอรี่ไม่เลื่อนเข้าไปโดยง่ายแสดงว่าใส่ไม่ถูกต้อง

**หมายเหตุ:** เครื่องมือจะไม่ทำงานเมื่อใช้ดัลล์แบตเตอรี่เพียงก้อนเดียว








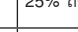



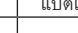
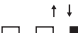


**หมายเหตุ:** ถอดปลั๊กของเครื่องตุ๊ดฝุ่นออกจากสายต่อฟ่วงเมื่อใช้งานเครื่องตุ๊ดฝุ่นด้วยแบตเตอรี่

## การระบุระดับพลังงานแบตเตอรี่ที่เหลืออยู่

สำหรับดัลล์แบตเตอรี่ที่มีตัวแสดงสถานะเท่านั้น

► **หมายเลข 7:** 1. ไฟแสดงสถานะ 2. ปุ่มตรวจสอบ

กดปุ่ม ตรวจสอบ บนดัลล์แบตเตอรี่เพื่อดูปริมาณแบตเตอรี่ที่เหลือ ไฟแสดงสถานะจะสว่างขึ้นเป็นเวลาสองสามวินาที

ไฟแสดงสถานะ			แบตเตอรี่ที่เหลือ
			
			75% ถึง 100%
			50% ถึง 75%
			25% ถึง 50%
			0% ถึง 25%
			ชาร์จไฟแบตเตอรี่
			แบตเตอรี่อาจจะเสีย

**หมายเหตุ:** ขึ้นอยู่กับสภาพการใช้งานและอุณหภูมิ โดยรอบ การแสดงสถานะอาจจะแตกต่างจากปริมาณแบตเตอรี่จริงเล็กน้อย








**หมายเหตุ:** ไฟแสดงสถานะดวงแรก (ซ้ายสุด) จะกะพริบเมื่อระบบป้องกันแบตเตอรี่ทำงาน

## การระบุระดับพลังงานแบตเตอรี่ที่เหลืออยู่

► **หมายเลข 8:** 1. ไฟแสดงสถานะแบตเตอรี่ 2. ปุ่มตรวจสอบ

► **หมายเลข 9**

กดปุ่ม ตรวจสอบ เพื่อดูปริมาณแบตเตอรี่ที่เหลือ ไฟแสดงสถานะแบตเตอรี่จะตรงตามแบตเตอรี่แต่ละลูก

สถานะของไฟแสดงสถานะแบตเตอรี่			ความจุแบตเตอรี่ที่เหลืออยู่
			
			50% ถึง 100%
			20% ถึง 50%
			0% ถึง 20%
			ชาร์จแบตเตอรี่


## ระบบป้องกันเครื่องมือ/แบตเตอรี่

เครื่องมือมีระบบป้องกันเครื่องมือ/แบตเตอรี่ ระบบนี้จะตัดไฟที่ส่งไปยังมอเตอร์โดยอัตโนมัติเพื่อยืดอายุการใช้งานเครื่องมือและแบตเตอรี่ เครื่องมือจะหยุดทำงานระหว่างการใช้งานโดยอัตโนมัติ หากเครื่องมือหรือแบตเตอรี่อยู่ภายใต้สถานการณ์ต่อไปนี้

### การป้องกันโอเวอร์โหลด

เมื่อเครื่องมือทำงานในรูปแบบที่อาจจะดึงพลังงานไฟฟ้าสูงเกินไป เครื่องมือจะหยุดโดยอัตโนมัติโดยไม่มีการแจ้งเตือนใดๆ ในกรณีนี้ ให้ปิดเครื่องมือและหยุดการใช้งานในลักษณะที่อาจทำให้เครื่องมือทำงานหนักเกินไป แล้วเปิดเครื่องมือเพื่อเริ่มทำงานอีกครั้ง

### การป้องกันความร้อนสูงเกินไป

<input type="checkbox"/> สว่าง	<input checked="" type="checkbox"/> กระพริบ
	

เมื่อเครื่องมือมีความร้อนสูงเกินไป เครื่องมือจะหยุดทำงานโดยอัตโนมัติและไฟแสดงสถานะแบตเตอรี่จะกระพริบประมาณ 60 วินาที ในกรณีนี้ ปล่อยให้เครื่องมือเย็นลงก่อนที่จะเปิดเครื่องมืออีกครั้ง

### การป้องกันไฟหมด

เมื่อแบตเตอรี่มีระดับพลังงานต่ำ เครื่องมือจะหยุดโดยอัตโนมัติ หากผลิตภัณฑ์ไม่ทำงานแม้ว่าจะเปิดสวิตช์แล้ว ให้ถอดแบตเตอรี่ออกจากเครื่องมือและชาร์จแบตเตอรี่

## การทำงานของสวิตช์

- **หมายเลข 10:** 1. สวิตช์เตรียมพร้อม 2. ปุ่มไฟหลัก  
3. ปุ่มหมุนปรับแรงตูด



วิธีเปิดเครื่องดูดฝุ่น:

1. ตั้งสวิตช์เตรียมพร้อมไปที่ด้าน "I" เครื่องดูดฝุ่นจะอยู่ในสถานะเตรียมพร้อม

2. กดปุ่มไฟหลัก

เมื่อต้องการทำให้เครื่องดูดฝุ่นกลับไปยังโหมดเตรียมพร้อม ให้กดปุ่มไฟหลักอีกครั้ง

เมื่อต้องการปิดเครื่องดูดฝุ่น ให้ตั้งสวิตช์เตรียมพร้อมไปที่ด้าน "O"

สามารถปรับแรงตูดได้ตามงานที่คุณต้องการ สามารถเพิ่มแรงตูดโดยปรับปุ่มหมุนปรับแรงตูดจากหมายเลข  ไปหมายเลข 

**ข้อสังเกต:** ตั้งสวิตช์เตรียมพร้อมไปที่ด้าน "O" เสมอ เมื่อไม่ใช่เครื่องดูดฝุ่นเป็นเวลานาน เครื่องดูดฝุ่นยังคงใช้ไฟอยู่ระหว่างสถานะเตรียมพร้อม

## การหยุดดูดอัตโนมัติระหว่างการดูดชนิดเปียก

สำหรับรุ่นตัวกรองผ้าเท่านั้น

▲ **คำเตือน:** อย่าใช้เครื่องดูดฝุ่นเป็นเวลานานในขณะที่ลูกลอยกำลังทำงาน การใช้เครื่องดูดฝุ่นเป็นเวลานานในขณะที่ลูกลอยกำลังทำงานอาจทำให้เกิดความร้อนเกินไป ส่งผลให้เครื่องดูดฝุ่นผิดรูปไปได้

▲ **คำเตือน:** อย่าดูดโฟมหรือของเหลวที่มีฟอง การดูดโฟมหรือของเหลวที่มีฟองอาจทำให้โฟมไหลออกทางช่องระบายอากาศก่อนที่ลูกลอยจะทำงาน หากทำการดูดต่อในสภาพดังกล่าวอาจทำให้เกิดไฟช็อตและทำให้เครื่องดูดฝุ่นพังได้

การหยุดดูดอัตโนมัติจะทำงานต่อเมื่อใช้ลูกลอยและกรงลูกลอยเท่านั้น

เครื่องดูดฝุ่นมีกลไกลูกลอยที่จะป้องกันน้ำเข้าไปในมอเตอร์ เมื่อดูดน้ำมากกว่าปริมาณน้ำที่กำหนด เมื่อถึงเต็ม และเครื่องดูดฝุ่นไม่สามารถดูดน้ำได้อีก ให้ปิดเครื่องและนำน้ำในถังออกให้หมด

## การล็อกและปลดล็อกล้อเลื่อน

- **หมายเลข 11:** 1. ล้อเลื่อน 2. ก้านสต๊อปเปอร์  
3. ตำแหน่ง FREE 4. ตำแหน่ง LOCK

การล็อกล้อเลื่อนทำให้สะดวกในการเก็บเครื่องดูดฝุ่น การหยุดการทำงานระหว่างทาง และการทำให้เครื่องดูดฝุ่นหยุดนิ่งอยู่กับที่

เมื่อต้องการใช้งานสต๊อปเปอร์ให้ปรับก้านด้วยมือ

เมื่อต้องการล็อกล้อเลื่อนด้วยสต๊อปเปอร์ ให้โยกก้านลงมาด้านล่างแล้วล้อเลื่อนจะไม่สามารถหมุนได้อีก การปลดล็อกล้อเลื่อน ให้ยกก้านสต๊อปเปอร์ขึ้น

**หมายเหตุ:** เมื่อต้องการเคลื่อนย้ายเครื่องดูดฝุ่น ตรวจสอบให้แน่ใจว่าล้อเลื่อนไม่ได้ถูกล็อกอยู่ การเคลื่อนย้ายเครื่องดูดฝุ่นในขณะที่ล้อเลื่อนยังอยู่ในตำแหน่งล็อกอาจทำให้ล้อเลื่อนชำรุดได้

## มือจับสำหรับกรวย

เมื่อยกเครื่องดูดฝุ่น ให้ยกโดยจับที่มือจับที่อยู่ด้านบนของเครื่อง สามารถถอดมือจับที่อยู่ด้านบนเครื่องออกได้เมื่อไม่ต้องการใช้งาน

- **หมายเลข 12**

## การประกอบ

**⚠ ข้อควรระวัง:** ตรวจสอบให้แน่ใจเสมอว่าได้ปิดสวิตช์ ถอดปลั๊ก และถอดดัลล์แบตเตอรี่ออกแล้วก่อนดำเนินการใดๆ กับเครื่องดูดฝุ่น

**⚠ ข้อควรระวัง:** สวมใส่หน้ากากกันฝุ่นระหว่างการประกอบหรือการบำรุงรักษา

## ติดตั้งตัวกรองฟง (HEPA) และแผ่นกรองชั้นต้น (สำหรับฝุ่นชนิดแห้ง)

### อุปกรณ์เสริมสำหรับรุ่นตัวกรองผ้า

**⚠ ข้อควรระวัง:** อย่าดูดน้ำ หรือของเหลวอื่นๆ หรือฝุ่นชนิดเปียก เมื่อใช้ตัวกรองฟง เพราะอาจทำให้ตัวกรองฟงเสียหายได้

วิธีใช้งานตัวกรองฟง:

- ถอดสลักเกลียวเพื่อถอดกรงลูกลอยและลูกลอยออก
- ▶ หมายเลข 13:** 1. ลูกลอย 2. กรงลูกลอย
- วางแผ่นกรองชั้นต้นลงในถังโดยจัดให้ตรงกับเครื่องหมายตำแหน่งติดตั้ง
- ติดตั้งตัวหุ้มการสะท้อนบนที่กรองฟง จากนั้นวางลงในแผ่นกรองชั้นต้นโดยจัดให้ตรงกับเครื่องหมายตำแหน่งติดตั้ง
- สุดท้าย ใส่ฝาครอบและล็อก
- ▶ หมายเลข 14:** 1. ฝาครอบถัง 2. ตัวกรองฟง (HEPA) 3. ตัวหุ้มการสะท้อน 4. แผ่นกรองชั้นต้น 5. ถัง 6. เครื่องหมายตำแหน่งติดตั้ง

**ข้อสังเกต:** ก่อนใช้ตัวกรองฟง ตรวจสอบให้แน่ใจว่ามี การใช้แผ่นกรองชั้นต้นและตัวหุ้มการสะท้อนร่วมกันเสมอ ห้ามติดตั้งตัวกรองฟงเพียงอย่างเดียว

## การติดตั้งตัวกรองน้ำ

### อุปกรณ์เสริมสำหรับรุ่นตัวกรองผ้า

**⚠ ข้อควรระวัง:** อย่าดูดน้ำหรือฝุ่นชนิดเปียกโดยไม่มีการติดตั้งลูกลอยและตัวกรองผ้าหรือตัวกรองน้ำ

**⚠ ข้อควรระวัง:** สำหรับการดูดฝุ่นชนิดเปียก ตรวจสอบให้แน่ใจว่าติดตั้งกรงลูกลอยและลูกลอยบนเครื่องดูดฝุ่นแล้ว

**⚠ ข้อควรระวัง:** เมื่อต้องการติดตั้งตัวกรองน้ำลงบนถัง ให้วางให้ตรงกับฝาถังเพื่อให้ข้อเกี่ยวของตัวกรองน้ำเกี่ยวเข้ากับฝาถังได้แนบสนิทและไม่มีความว่างระหว่างตัวกรองน้ำกับถัง

หากต้องการดูดน้ำหรือฝุ่นเปียกเท่านั้น ใช้ตัวกรองน้ำจะเหมาะสมกว่าใช้ตัวกรองผ้า

เมื่อติดตั้งตัวกรองน้ำ ให้จัดให้ตรงกับเครื่องหมายตำแหน่งติดตั้งบนถัง

- ▶ หมายเลข 15:** 1. ตัวกรองน้ำ 2. ถัง 3. เครื่องหมายตำแหน่งติดตั้ง

**หมายเหตุ:** เมื่อต้องการดูดน้ำปริมาณมากต่อเนื้อควร์ใช้ตัวกรองน้ำ มิฉะนั้น ประสิทธิภาพของเครื่องดูดฝุ่นอาจลดลงได้ในกรณีที่ใช้ตัวกรองผ้า

## การติดตั้งถุงกระดาษ

### อุปกรณ์เสริม

**⚠ คำเตือน:** เมื่อใช้ถุงกระดาษ ให้ใช้ตัวกรองผ้าหรือตัวกรองชั้นต้นที่ถูกติดตั้งบนเครื่องดูดฝุ่นมาก่อนแล้วร่วมด้วย มิฉะนั้นหากไม่ใช้ตัวกรองผ้า/ ตัวกรองชั้นต้นร่วมด้วย อาจทำให้เกิดเสียงและความร้อนผิดปกติ รวมถึงอาจส่งผลให้เกิดไฟไหม้ได้

**⚠ ข้อควรระวัง:** (สำหรับรุ่นตัวกรองผ้าเท่านั้น)

- อย่าดูดน้ำ หรือของเหลวอื่นๆ หรือฝุ่นชนิดเปียก เมื่อใช้ถุงกระดาษ มิฉะนั้น อาจทำให้ถุงกระดาษเสียหายได้
- ก่อนการใช้งานถุงกระดาษ ตรวจสอบให้แน่ใจว่า มีการใช้ตัวกรองฟง (อุปกรณ์เสริม), ตัวหุ้มการสะท้อน (อุปกรณ์เสริม) และแผ่นกรองชั้นต้นร่วมด้วยเสมอ

**⚠ ข้อควรระวัง:** (สำหรับรุ่นตัวกรองฟง)

- ก่อนใช้ถุงกระดาษ ตรวจสอบให้แน่ใจว่ามีการใช้ตัวกรองฟง ตัวหุ้มการสะท้อน และแผ่นกรองชั้นต้นร่วมด้วยเสมอ

1. ถอดที่ยึดยางออก

▶ **หมายเลข 16:** 1. ที่ยึดยาง

2. คิลี่งูกระดาดขาออก

3. จัดปากงูกระดาดให้อยู่ในตำแหน่งปากดูดฝุ่นของเครื่องดูดฝุ่น

4. สอดส่วนที่เป็นกระดาดแข็งของงูกระดาดลงบนที่ยึดและจัดให้อยู่ในตำแหน่งปลายสุดเลยส่วนที่ยื่นออกมาสำหรับลิ้อด

▶ **หมายเลข 17:** 1. งูกระดาด 2. ที่ยึด

## การติดตั้งถุงโพลีเอทิลีน

สามารถใช้งานเครื่องดูดฝุ่นได้โดยไม่มีถุงโพลีเอทิลีน อย่างไรก็ตาม การใช้ถุงโพลีเอทิลีนจะทำให้จ่ายในนำฝุ่นในถังออกโดยที่มือของคุณไม่เป็น

วางถุงโพลีเอทิลีนให้แผ่ออกในถัง สอดงูระหว่างแผ่นยึดกับถัง และดึงมาทางช่องท่อดูด

▶ **หมายเลข 18:** 1. แผ่นยึด 2. งูโพลีเอทิลีน

แผ่นงูออกรอบส่วนบนของถังเพื่อให้ขอบของตัวกรองผ้า/แผ่นกรองชั้นต้นสามารถจับและยึดกับงูได้แน่นสนิท

▶ **หมายเลข 19:** 1. ตัวกรองผ้า/แผ่นกรองชั้นต้น

**หมายเหตุ:** สามารถใช้ถุงโพลีเอทิลีนที่มีขายในท้องตลาดได้ ควรใช้ถุงที่มีความหนา 0.04 mm ขึ้นไป

**หมายเหตุ:** หากมีปริมาณฝุ่นมากเกินไปจะทำให้ถุงฉีกขาดได้ง่าย เพราะฉะนั้นอย่าให้มีฝุ่นสะสมมากกว่าครึ่งหนึ่งของความจุ

## การนำฝุ่นออกจากถุงโพลีเอทิลีน

**คำเตือน:** ตรวจสอบให้แน่ใจเสมอว่าได้ปิดสวิตช์ ถอดปลั๊ก และถอดตัวแบตเตอรี่ออกแล้วก่อนนำฝุ่นในถุงโพลีเอทิลีนไปทิ้ง ไม่เช่นนั้นอาจทำให้เกิดไฟฟ้าช็อตและได้รับบาดเจ็บสาหัสได้

**ข้อควรระวัง:** อย่ากระแทกกรงลูกบอลและถังด้วยความรุนแรง การกระแทกอย่างรุนแรงอาจทำให้ชิ้นส่วนดังกล่าวผิดรูปและเสียหายได้

**ข้อควรระวัง:** นำฝุ่นออกจากถังให้หมดอย่างน้อยวันละครั้ง โดยขึ้นอยู่กับปริมาณของฝุ่นในถัง มิฉะนั้น จะทำให้แรงดูดลดกำลังลงและอาจทำให้มอเตอร์เสียหายได้

**ข้อควรระวัง:** อย่าจับที่ขอกเกี่ยวกับงูนำฝุ่นออกจากถัง การจับขอกอาจทำให้ขอกเกี่ยวหักได้

ปลดขอกเกี่ยววอกและยกฝาถังขึ้น

เขย่าฝุ่นออกจากตัวกรองผ้า/แผ่นกรองชั้นต้น จากนั้นนำถุงโพลีเอทิลีนออกจากถัง

▶ **หมายเลข 20**

**หมายเหตุ:** นำถุงโพลีเอทิลีนออกจากถังด้วยความระมัดระวังเพื่อไม่ให้ถุงติดและฉีกขาดโดยส่วนที่ยื่นในถังเมื่อนำฝุ่นออก

**หมายเหตุ:** นำฝุ่นออกจากถุงโพลีเอทิลีนก่อนถุงเต็ม หากมีปริมาณฝุ่นสะสมในถังมากเกินไปอาจทำให้ถุงโพลีเอทิลีนฉีกขาด

## การติดตั้งกล่องเครื่องมือ

1. ปลดลิ้อดฝาครอบแบตเตอรี่และเปิดฝาครอบแบตเตอรี่
2. ติดตั้งราวจับบนกล่องเครื่องมือตามร่องของกล่อง
3. ปิดฝาครอบแบตเตอรี่และลิ้อด

▶ **หมายเลข 21**

กล่องเครื่องมือทำให้สะดวกในการขนแบตเตอรี่ สายต่อพ่วงท่อ หรือข้อต่อ

▶ **หมายเลข 22**

## การเชื่อมต่อเครื่องมือ

**ข้อสังเกต:** อย่าฝืนงอหรือเหยียบท่อดูด อย่าเคลื่อนย้ายเครื่องดูดฝุ่นโดยการดึงท่อดูด การฝืนงอ การเหยียบ และการดึงท่อดูดอาจทำให้ท่อเสียหาย หรือผิดรูปได้

**ข้อสังเกต:** เมื่อดูดเศษวัสดุขนาดใหญ่ เช่น เศษจากกบไฟฟ้า ฝุ่นคอนกรีต หรือเศษวัสดุอื่นๆ ที่ไม่ใช่เศษขนาดเล็ก ให้ใช้ท่อดูดที่มีเส้นผ่านศูนย์กลางภายในขนาด 38 mm (อุปกรณ์เสริม) การใช้ท่อดูดที่มีเส้นผ่านศูนย์กลางภายในขนาด 28 mm (อุปกรณ์เสริม) อาจทำให้ท่ออุดตันและเสียหายได้

สอดท่อดูดเข้าไปที่ช่องต่อของถังและหมุนตามเข็มนาฬิกาจนกระทั่งเข้าลิ้อด

▶ **หมายเลข 23**

## การบำรุงรักษา

**⚠ ข้อควรระวัง:** ตรวจสอบให้แน่ใจเสมอว่าได้ปิดสวิตช์ ถอดปลั๊ก และถอดด้ามแบตเตอรี่ออกแล้วก่อนทำการ ตรวจสอบหรือบำรุงรักษา

**ข้อสังเกต:** อย่าใช้น้ำมันเชื้อเพลิง เบนซิน ทินเนอร์ แอลกอฮอล์ หรือวัสดุประเภทเดียวกัน เนื่องจากอาจ ทำให้สีซีดจาง เสียรูป หรือแตกร้าวได้

เพื่อความปลอดภัยและนำเชื้อถือของผลิตภัณฑ์ ควรให้ ศูนย์บริการหรือโรงงานที่ผ่านการรับรองจาก Makita เป็นผู้ดำเนินการซ่อมแซม บำรุงรักษาและทำการปรับตั้งอื่นๆ นอกจากนี้ให้ใช้อะไหล่ของแท้จาก Makita เสมอ

## การเก็บรักษาสายไฟ

คุณสามารถม้วนสายไฟไว้รอบกล่องเครื่องมือได้

▶ หมายเลข 24

## การเก็บรักษาอุปกรณ์เสริม

วางท่อไว้ในที่เย็นท้อ เมื่อไม่ใช้งานเครื่องดูดฝุ่นเป็นระยะเวลาดำเนิน

▶ หมายเลข 25

▶ หมายเลข 26

เก็บท่อดูดโดยพันไว้รอบๆ เครื่องมือ

▶ หมายเลข 27

## การทำความสะอาดตัวกรองผ้า

**สำหรับรุ่นตัวกรองผ้าเท่านั้น**

ตัวกรองผ้าที่อุดตันจะทำให้ประสิทธิภาพการดูดแย่งลง ทำความสะอาดตัวกรองผ้าเป็นระยะๆ

นำฝุ่นหรือเศษผงอื่นๆ ออกจากตัวกรองผ้าโดยเขย่าส่วนกัน ของตัวกรองเร็วๆ หลายๆ ครั้ง

▶ หมายเลข 28: 1. ตัวกรองผ้า

## การทำความสะอาดตัวกรองผง (HEPA) และ แผ่นกรองชั้นต้น

**สำหรับรุ่นตัวกรองผงเท่านั้น**

ตัวกรองผง แผ่นกรองชั้นต้น และตัวหน่วงการสะเทือนที่อุดตันจะทำให้ประสิทธิภาพการดูดแย่งลง ทำความสะอาดตัวกรองและตัวหน่วงการสะเทือนเป็นระยะๆ

นำฝุ่นหรือเศษผงอื่นๆ ออกจากตัวกรองโดยเขย่าส่วนกัน ของตัวกรองเร็วๆ หลายๆ ครั้ง

▶ หมายเลข 29

ล้างตัวกรองผงบ้างเป็นครั้งคราวในน้ำ ล้างให้สะอาดและตากให้แห้งสนิทในที่ร่มก่อนใช้งาน อยู่ด้านล่างตัวกรองใน เครื่องซักผ้าเด็ดขาด

**หมายเหตุ:** อย่าถูหรือขีดตัวกรองผง แผ่นกรองชั้นต้น หรือตัวหน่วงการสะเทือนด้วยวัตถุที่มีความแข็ง เช่น แปรง และใบพัด

**หมายเหตุ:** ตัวกรองอาจเสื่อมสภาพได้ตามระยะเวลา ควร สลับตัวกรองเมื่อไ้ด้วย

## อุปกรณ์เสริม

**⚠ ข้อควรระวัง:** ขอแนะนำให้ใช้เฉพาะอุปกรณ์เสริมหรือ อุปกรณ์ต่อพ่วงเหล่านี้กับเครื่องมือ Makita ที่ระบุในคู่มือ การใช้อุปกรณ์เสริมหรืออุปกรณ์ต่อพ่วงอื่นๆ อาจมีความเสี่ยงที่จะได้รับบาดเจ็บ ใช้อุปกรณ์เสริมหรืออุปกรณ์ต่อ พ่วงตามวัตถุประสงค์ที่ระบุไว้เท่านั้น

หากต้องการทราบรายละเอียดเพิ่มเติมเกี่ยวกับอุปกรณ์เสริม เหล่านี้ โปรดสอบถามศูนย์บริการ Makita ใกล้บ้านคุณ

- ท่อดูด
- ข้อต่อด้านหน้าเบอร์ (เบอร์ 22, 24, 38)
- ท่อตรง
- หัวดูดฝุ่นสำหรับมุมอับ
- แปรงหัวกลม
- ตัวกรองผง HEPA (สำหรับรุ่นชนิดแห้ง)
- ตัวหน่วงการสะเทือน
- แผ่นกรองชั้นต้น
- การติดตั้งท่อ
- ท่อโค้ง
- ถุงโพลีเอทิลีน
- ถุงกระดาษ
- ชุดที่ยึด
- ตัวกรองน้ำ (อุปกรณ์เสริมสำหรับรุ่นตัวกรองผ้า)
- แบตเตอรี่และเครื่องชาร์จ Makita ของแท้

**หมายเหตุ:** อุปกรณ์บางรายการอาจจะรวมอยู่ในชุดเครื่องมือ เป็นอุปกรณ์มาตรฐาน ซึ่งอาจแตกต่างกันไปในแต่ละ ประเทศ





**Makita Corporation**  
3-11-8, Sumiyoshi-cho,  
Anjo, Aichi 446-8502 Japan  
[www.makita.com](http://www.makita.com)

885717A371  
EN, ID, VI, TH  
20201225