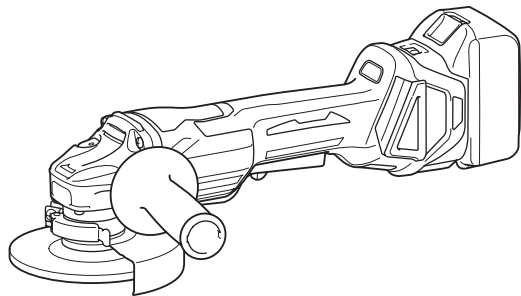
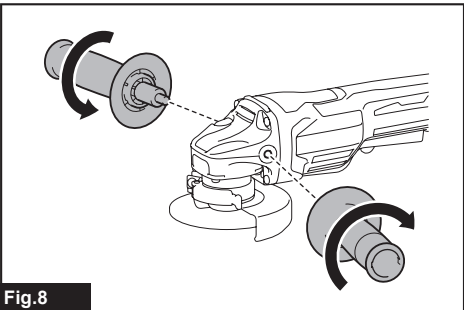
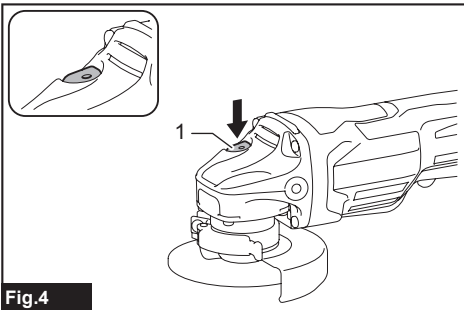
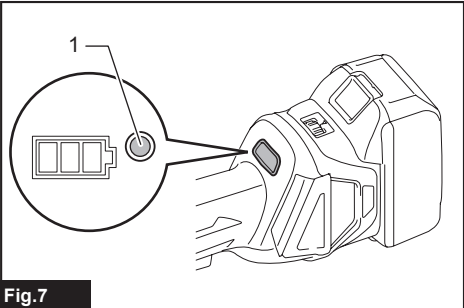
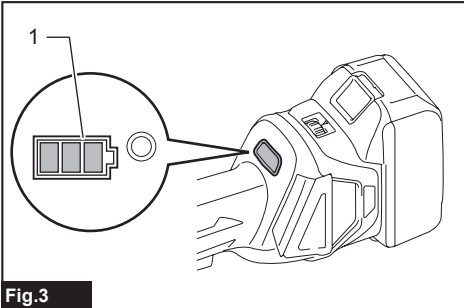
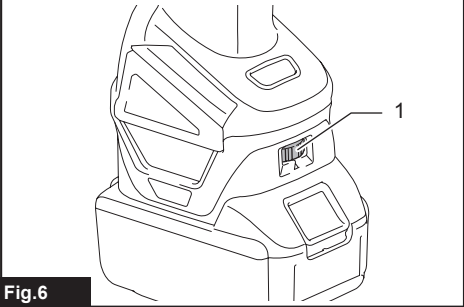
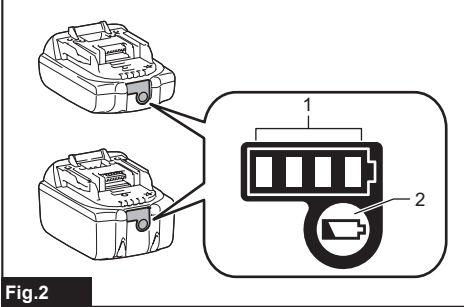
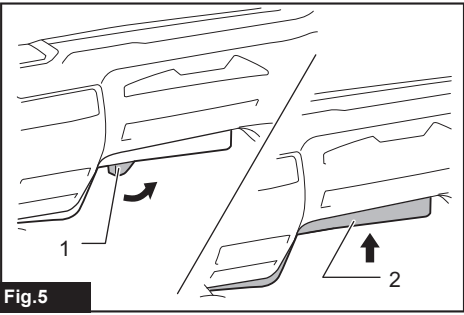
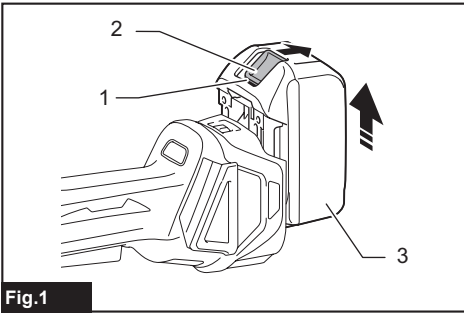




EN	Cordless Angle Grinder	INSTRUCTION MANUAL	8
ZHCN	充电式角向磨光机	使用说明书	25
ID	Gerinda Sudut Listrik Tanpa Kabel	PETUNJUK PENGGUNAAN	42
VI	Máy Mài Góc Cầm Tay Hoạt Động Bằng Pin	TÀI LIỆU HƯỚNG DẪN	61
TH	เครื่องขัดมุมไร้สาย	คู่มือการใช้งาน	78

**DGA417,
DGA418
DGA467,
DGA468
DGA517,
DGA518**





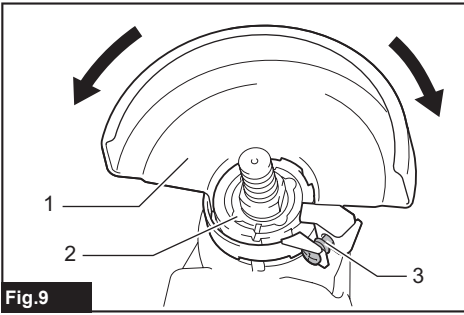


Fig.9

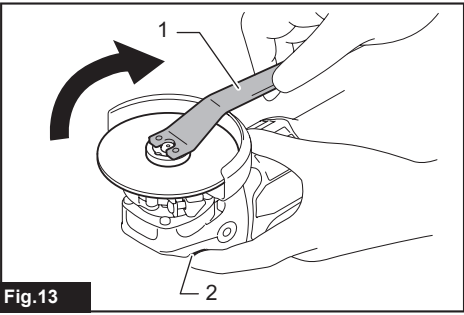


Fig.13

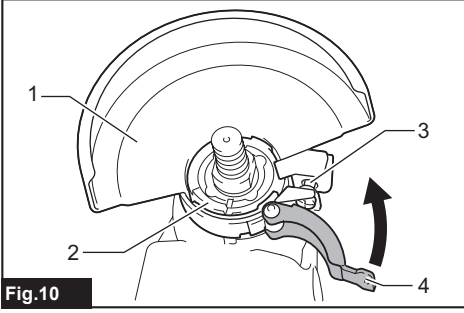


Fig.10

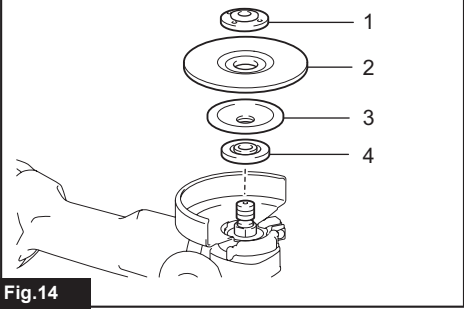


Fig.14

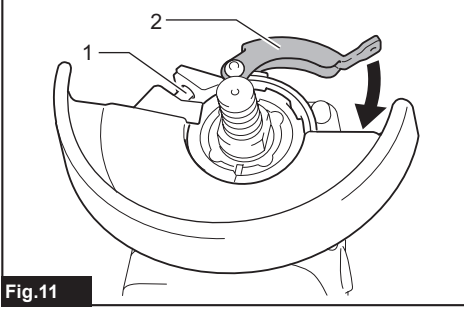


Fig.11

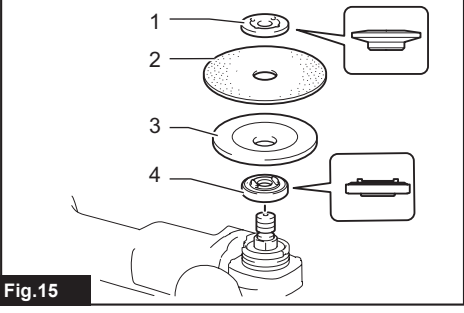


Fig.15

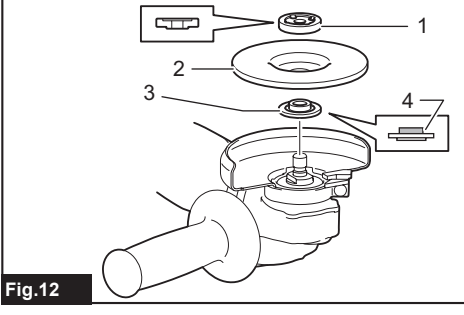


Fig.12

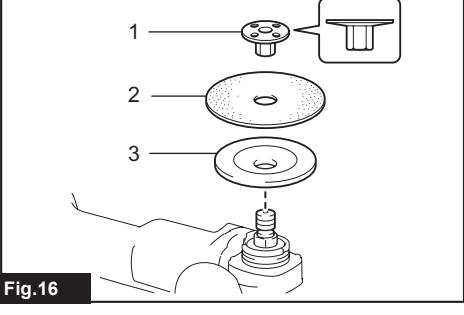


Fig.16

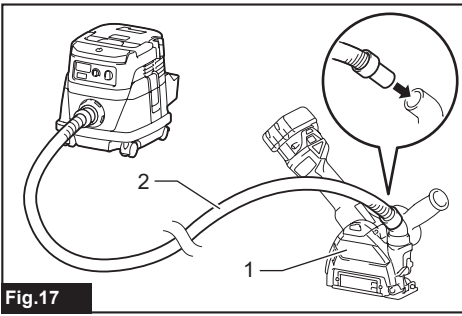


Fig.17

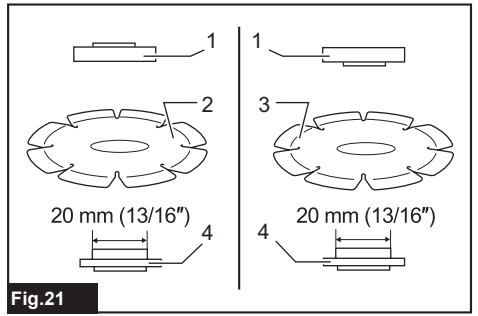


Fig.21

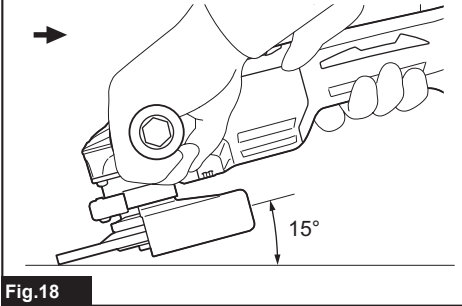


Fig.18

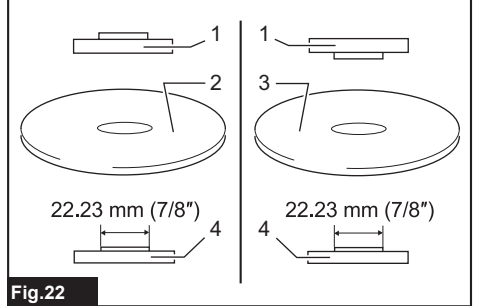


Fig.22

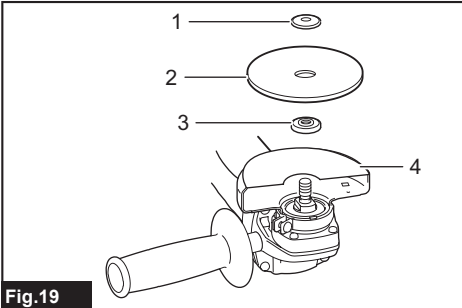


Fig.19

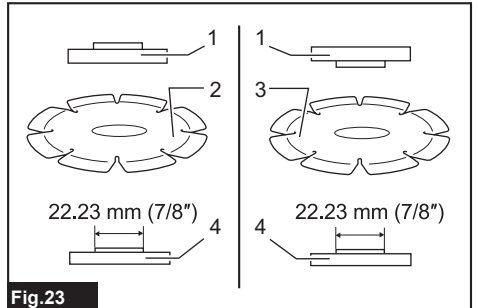


Fig.23

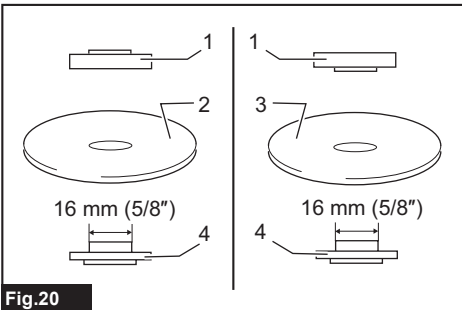


Fig.20

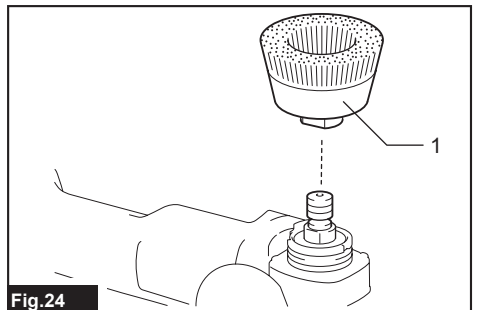


Fig.24

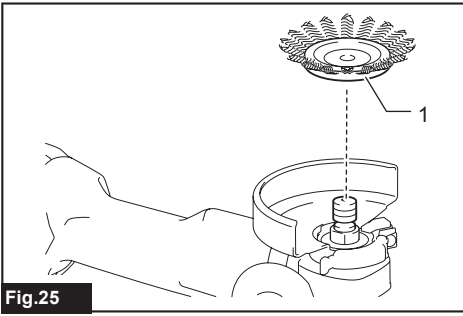


Fig.25

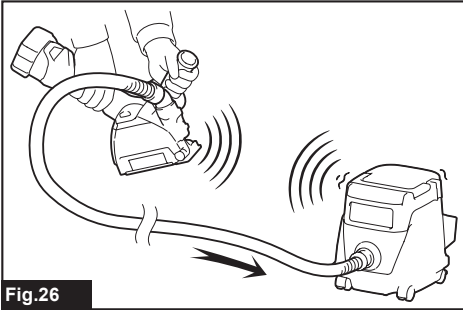


Fig.26

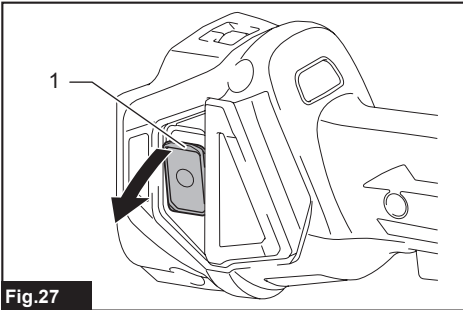


Fig.27

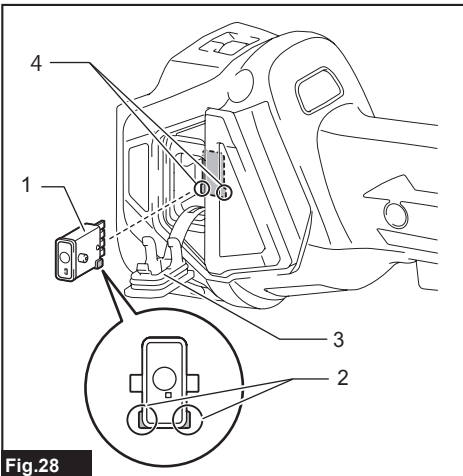


Fig.28

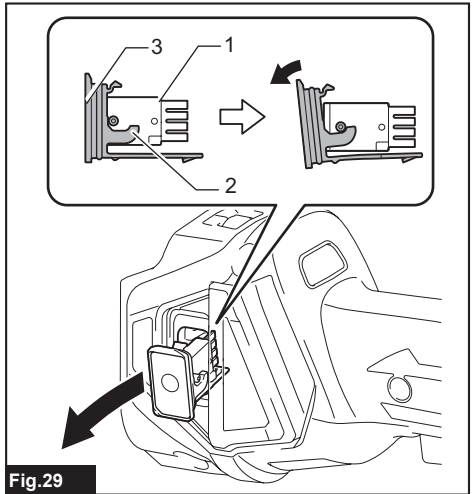


Fig.29

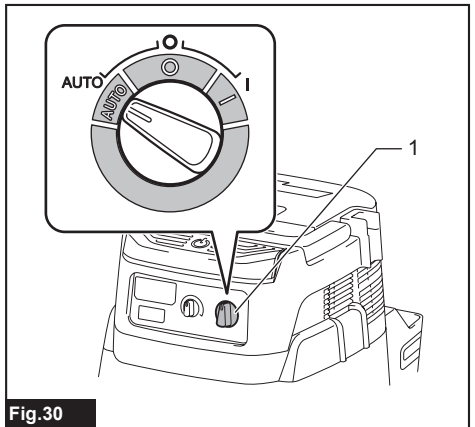


Fig.30

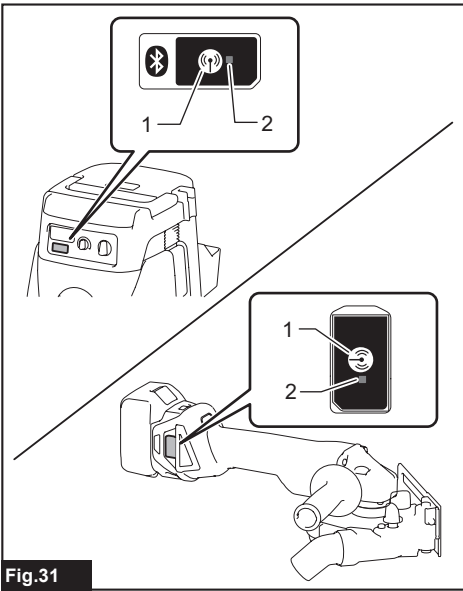


Fig.31

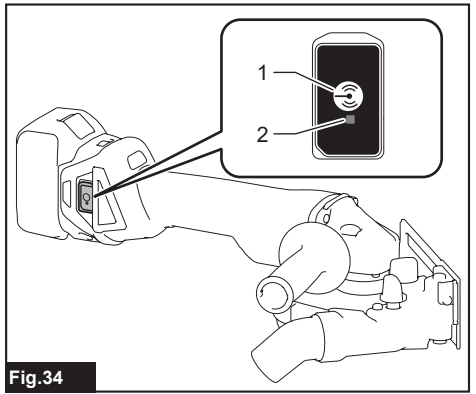


Fig.34

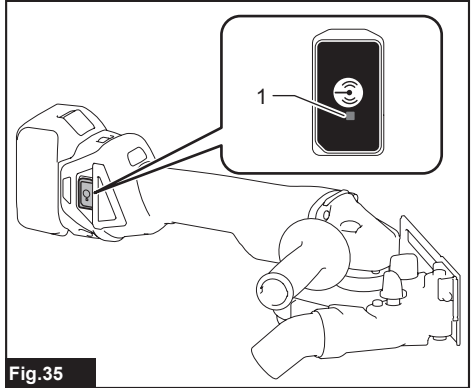


Fig.35

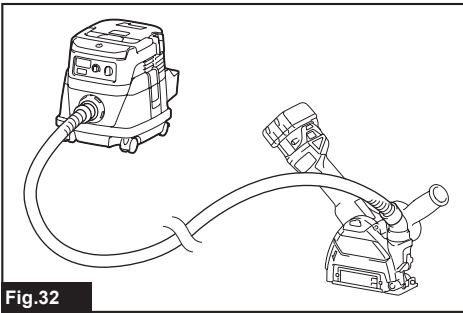


Fig.32

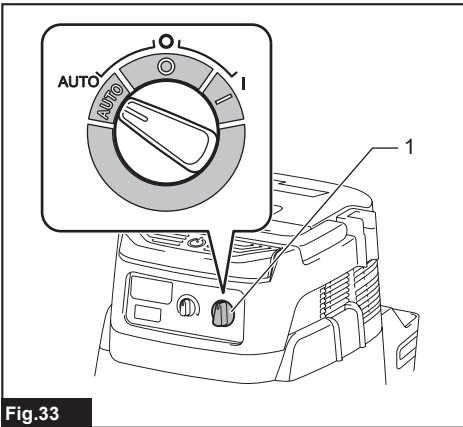


Fig.33

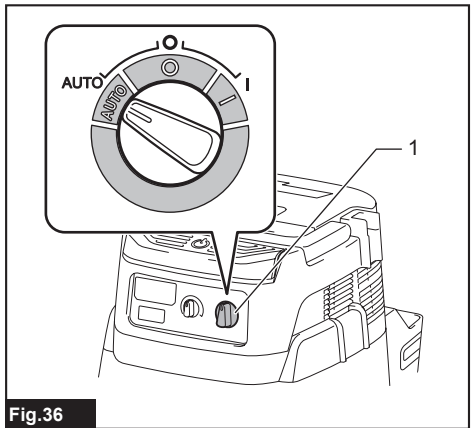


Fig.36

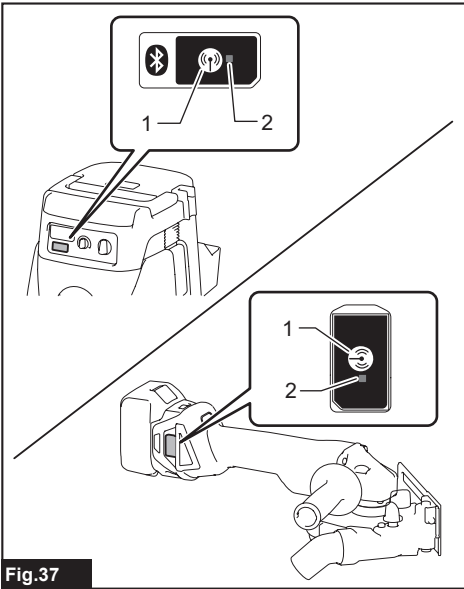


Fig.37

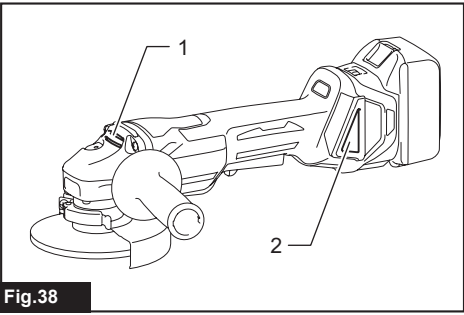


Fig.38

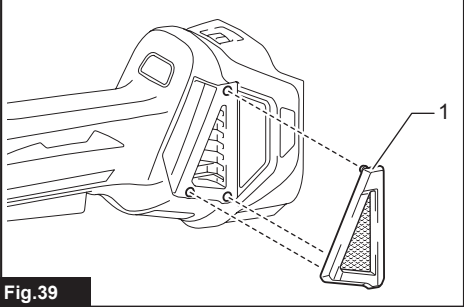


Fig.39

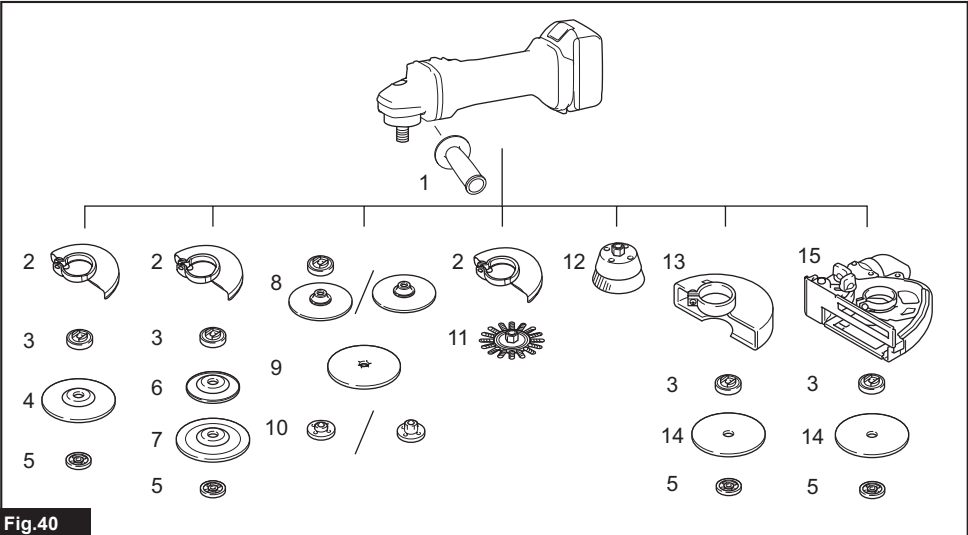


Fig.40

SPECIFICATIONS

Model:	DGA417	DGA418
Wheel diameter	100 mm (4")	
Max. wheel thickness	6.4 mm	
Spindle thread	M10	
Rated speed (n)	8,500 min ⁻¹	
Overall length	382 mm	
Rated voltage	D.C. 18 V	
Net weight	2.2 - 2.9 kg	
Electric brake	✓	
Wireless activation function	-	✓

Model:	DGA467	DGA468
Wheel diameter	115 mm (4-1/2")	
Max. wheel thickness	7.2 mm	
Spindle thread	M14 or 5/8" (country specific)	
Rated speed (n)	8,500 min ⁻¹	
Overall length	382 mm	
Rated voltage	D.C. 18 V	
Net weight	2.4 - 3.1 kg	
Electric brake	✓	
Wireless activation function	-	✓

Model:	DGA517	DGA518
Wheel diameter	125 mm (5")	
Max. wheel thickness	7.2 mm	
Spindle thread	M14 or 5/8" (country specific)	
Rated speed (n)	8,500 min ⁻¹	
Overall length	382 mm	
Rated voltage	D.C. 18 V	
Net weight	2.4 - 3.1 kg	
Electric brake	✓	
Wireless activation function	-	✓

- Due to our continuing program of research and development, the specifications herein are subject to change without notice.
- Specifications may differ from country to country.
- The weight may differ depending on the attachment(s), including the battery cartridge. The lightest and heaviest combination, according to EPTA-Procedure 01/2014, are shown in the table.

Applicable battery cartridge

BL1815N / BL1820 / BL1820B / BL1830 / BL1830B / BL1840 / BL1840B / BL1850 / BL1850B / BL1860B

- Some of the battery cartridges listed above may not be available depending on your region of residence.

⚠ WARNING: Only use the battery cartridges listed above. Use of any other battery cartridges may cause injury and/or fire.

Symbols

The followings show the symbols used for the equipment. Be sure that you understand their meaning before use.



Read instruction manual.



Wear safety glasses.



Ni-MH
Li-ion

Only for EU countries
Do not dispose of electric equipment or battery pack together with household waste material!

In observance of the European Directives, on Waste Electric and Electronic Equipment and Batteries and Accumulators and Waste Batteries and Accumulators and their implementation in accordance with national laws, electric equipment and batteries and battery pack(s) that have reached the end of their life must be collected separately and returned to an environmentally compatible recycling facility.

Intended use

The tool is intended for grinding, sanding and cutting of metal and stone materials without the use of water.

SAFETY WARNINGS

General power tool safety warnings

⚠ WARNING: Read all safety warnings, instructions, illustrations and specifications provided with this power tool. Failure to follow all instructions listed below may result in electric shock, fire and/or serious injury.

Save all warnings and instructions for future reference.

The term "power tool" in the warnings refers to your mains-operated (corded) power tool or battery-operated (cordless) power tool.

Work area safety

1. **Keep work area clean and well lit.** Cluttered or dark areas invite accidents.
2. **Do not operate power tools in explosive atmospheres, such as in the presence of flammable liquids, gases or dust.** Power tools create sparks which may ignite the dust or fumes.
3. **Keep children and bystanders away while operating a power tool.** Distractions can cause you to lose control.

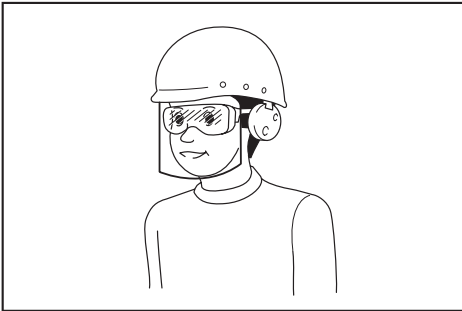
Electrical safety

1. **Power tool plugs must match the outlet. Never modify the plug in any way. Do not use any adapter plugs with earthed (grounded) power tools.** Unmodified plugs and matching outlets will reduce risk of electric shock.
2. **Avoid body contact with earthed or grounded surfaces, such as pipes, radiators, ranges and refrigerators.** There is an increased risk of electric shock if your body is earthed or grounded.
3. **Do not expose power tools to rain or wet conditions.** Water entering a power tool will increase the risk of electric shock.
4. **Do not abuse the cord. Never use the cord for carrying, pulling or unplugging the power tool. Keep cord away from heat, oil, sharp edges or moving parts.** Damaged or entangled cords increase the risk of electric shock.
5. **When operating a power tool outdoors, use an extension cord suitable for outdoor use.** Use of a cord suitable for outdoor use reduces the risk of electric shock.
6. **If operating a power tool in a damp location is unavoidable, use a residual current device (RCD) protected supply.** Use of an RCD reduces the risk of electric shock.
7. **Power tools can produce electromagnetic fields (EMF) that are not harmful to the user.** However, users of pacemakers and other similar medical devices should contact the maker of their device and/or doctor for advice before operating this power tool.

Personal safety

1. **Stay alert, watch what you are doing and use common sense when operating a power tool. Do not use a power tool while you are tired or under the influence of drugs, alcohol or medication.** A moment of inattention while operating power tools may result in serious personal injury.
2. **Use personal protective equipment. Always wear eye protection.** Protective equipment such as a dust mask, non-skid safety shoes, hard hat or hearing protection used for appropriate conditions will reduce personal injuries.
3. **Prevent unintentional starting. Ensure the switch is in the off-position before connecting to power source and/or battery pack, picking up or carrying the tool.** Carrying power tools with your finger on the switch or energising power tools that have the switch on invites accidents.
4. **Remove any adjusting key or wrench before turning the power tool on.** A wrench or a key left attached to a rotating part of the power tool may result in personal injury.
5. **Do not overreach. Keep proper footing and balance at all times.** This enables better control of the power tool in unexpected situations.
6. **Dress properly. Do not wear loose clothing or jewellery. Keep your hair and clothing away from moving parts.** Loose clothes, jewellery or long hair can be caught in moving parts.

7. **If devices are provided for the connection of dust extraction and collection facilities, ensure these are connected and properly used.** Use of dust collection can reduce dust-related hazards.
8. **Do not let familiarity gained from frequent use of tools allow you to become complacent and ignore tool safety principles.** A careless action can cause severe injury within a fraction of a second.
9. **Always wear protective goggles to protect your eyes from injury when using power tools.** The goggles must comply with ANSI Z87.1 in the USA, EN 166 in Europe, or AS/NZS 1336 in Australia/New Zealand. In Australia/New Zealand, it is legally required to wear a face shield to protect your face, too.



It is an employer's responsibility to enforce the use of appropriate safety protective equipments by the tool operators and by other persons in the immediate working area.

Power tool use and care

1. **Do not force the power tool. Use the correct power tool for your application.** The correct power tool will do the job better and safer at the rate for which it was designed.
2. **Do not use the power tool if the switch does not turn it on and off.** Any power tool that cannot be controlled with the switch is dangerous and must be repaired.
3. **Disconnect the plug from the power source and/or remove the battery pack, if detachable, from the power tool before making any adjustments, changing accessories, or storing power tools.** Such preventive safety measures reduce the risk of starting the power tool accidentally.
4. **Store idle power tools out of the reach of children and do not allow persons unfamiliar with the power tool or these instructions to operate the power tool.** Power tools are dangerous in the hands of untrained users.
5. **Maintain power tools and accessories. Check for misalignment or binding of moving parts, breakage of parts and any other condition that may affect the power tool's operation. If damaged, have the power tool repaired before use.** Many accidents are caused by poorly maintained power tools.
6. **Keep cutting tools sharp and clean.** Properly maintained cutting tools with sharp cutting edges are less likely to bind and are easier to control.

7. **Use the power tool, accessories and tool bits etc. in accordance with these instructions, taking into account the working conditions and the work to be performed.** Use of the power tool for operations different from those intended could result in a hazardous situation.
8. **Keep handles and grasping surfaces dry, clean and free from oil and grease.** Slippery handles and grasping surfaces do not allow for safe handling and control of the tool in unexpected situations.
9. **When using the tool, do not wear cloth work gloves which may be entangled.** The entanglement of cloth work gloves in the moving parts may result in personal injury.

Battery tool use and care

1. **Recharge only with the charger specified by the manufacturer.** A charger that is suitable for one type of battery pack may create a risk of fire when used with another battery pack.
2. **Use power tools only with specifically designated battery packs.** Use of any other battery packs may create a risk of injury and fire.
3. **When battery pack is not in use, keep it away from other metal objects, like paper clips, coins, keys, nails, screws or other small metal objects, that can make a connection from one terminal to another.** Shorting the battery terminals together may cause burns or a fire.
4. **Under abusive conditions, liquid may be ejected from the battery; avoid contact. If contact accidentally occurs, flush with water. If liquid contacts eyes, additionally seek medical help.** Liquid ejected from the battery may cause irritation or burns.
5. **Do not use a battery pack or tool that is damaged or modified.** Damaged or modified batteries may exhibit unpredictable behaviour resulting in fire, explosion or risk of injury.
6. **Do not expose a battery pack or tool to fire or excessive temperature.** Exposure to fire or temperature above 130 °C may cause explosion.
7. **Follow all charging instructions and do not charge the battery pack or tool outside the temperature range specified in the instructions.** Charging improperly or at temperatures outside the specified range may damage the battery and increase the risk of fire.

Service

1. **Have your power tool serviced by a qualified repair person using only identical replacement parts.** This will ensure that the safety of the power tool is maintained.
2. **Never service damaged battery packs.** Service of battery packs should only be performed by the manufacturer or authorized service providers.
3. **Follow instruction for lubricating and changing accessories.**

Cordless grinder safety warnings

Safety Warnings Common for Grinding, Sanding, Wire Brushing, or Abrasive Cutting-Off Operations:

- 1. This power tool is intended to function as a grinder, sander, wire brush or cut-off tool. Read all safety warnings, instructions, illustrations and specifications provided with this power tool.** Failure to follow all instructions listed below may result in electric shock, fire and/or serious injury.
- 2. Operations such as polishing are not recommended to be performed with this power tool.** Operations for which the power tool was not designed may create a hazard and cause personal injury.
- 3. Do not use accessories which are not specifically designed and recommended by the tool manufacturer.** Just because the accessory can be attached to your power tool, it does not assure safe operation.
- 4. The rated speed of the accessory must be at least equal to the maximum speed marked on the power tool.** Accessories running faster than their rated speed can break and fly apart.
- 5. The outside diameter and the thickness of your accessory must be within the capacity rating of your power tool.** Incorrectly sized accessories cannot be adequately guarded or controlled.
- 6. Threaded mounting of accessories must match the grinder spindle thread. For accessories mounted by flanges, the arbour hole of the accessory must fit the locating diameter of the flange.** Accessories that do not match the mounting hardware of the power tool will run out of balance, vibrate excessively and may cause loss of control.
- 7. Do not use a damaged accessory. Before each use inspect the accessory such as abrasive wheels for chips and cracks, backing pad for cracks, tear or excess wear, wire brush for loose or cracked wires. If power tool or accessory is dropped, inspect for damage or install an undamaged accessory. After inspecting and installing an accessory, position yourself and bystanders away from the plane of the rotating accessory and run the power tool at maximum no-load speed for one minute.** Damaged accessories will normally break apart during this test time.
- 8. Wear personal protective equipment. Depending on application, use face shield, safety goggles or safety glasses. As appropriate, wear dust mask, hearing protectors, gloves and workshop apron capable of stopping small abrasive or workpiece fragments.** The eye protection must be capable of stopping flying debris generated by various operations. The dust mask or respirator must be capable of filtrating particles generated by your operation. Prolonged exposure to high intensity noise may cause hearing loss.

- 9. Keep bystanders a safe distance away from work area. Anyone entering the work area must wear personal protective equipment.** Fragments of workpiece or of a broken accessory may fly away and cause injury beyond immediate area of operation.
- 10. Hold the power tool by insulated gripping surfaces only, when performing an operation where the cutting tool may contact hidden wiring.** Contact with a "live" wire will also make exposed metal parts of the power tool "live" and could give the operator an electric shock.
- 11. Never lay the power tool down until the accessory has come to a complete stop.** The spinning accessory may grab the surface and pull the power tool out of your control.
- 12. Do not run the power tool while carrying it at your side.** Accidental contact with the spinning accessory could snag your clothing, pulling the accessory into your body.
- 13. Regularly clean the power tool's air vents.** The motor's fan will draw the dust inside the housing and excessive accumulation of powdered metal may cause electrical hazards.
- 14. Do not operate the power tool near flammable materials.** Sparks could ignite these materials.
- 15. Do not use accessories that require liquid coolants.** Using water or other liquid coolants may result in electrocution or shock.

Kickback and Related Warnings

Kickback is a sudden reaction to a pinched or snagged rotating wheel, backing pad, brush or any other accessory. Pinching or snagging causes rapid stalling of the rotating accessory which in turn causes the uncontrolled power tool to be forced in the direction opposite of the accessory's rotation at the point of the binding. For example, if an abrasive wheel is snagged or pinched by the workpiece, the edge of the wheel that is entering into the pinch point can dig into the surface of the material causing the wheel to climb out or kick out. The wheel may either jump toward or away from the operator, depending on direction of the wheel's movement at the point of pinching. Abrasive wheels may also break under these conditions.

Kickback is the result of power tool misuse and/or incorrect operating procedures or conditions and can be avoided by taking proper precautions as given below.

- 1. Maintain a firm grip on the power tool and position your body and arm to allow you to resist kickback forces. Always use auxiliary handle, if provided, for maximum control over kickback or torque reaction during start-up.** The operator can control torque reactions or kickback forces, if proper precautions are taken.
- 2. Never place your hand near the rotating accessory.** Accessory may kickback over your hand.
- 3. Do not position your body in the area where power tool will move if kickback occurs.** Kickback will propel the tool in direction opposite to the wheel's movement at the point of snagging.
- 4. Use special care when working corners, sharp edges etc. Avoid bouncing and snagging the accessory.** Corners, sharp edges or bouncing have a tendency to snag the rotating accessory and cause loss of control or kickback.

5. **Do not attach a saw chain woodcarving blade or toothed saw blade.** Such blades create frequent kickback and loss of control.

Safety Warnings Specific for Grinding and Abrasive Cutting-Off Operations:

1. **Use only wheel types that are recommended for your power tool and the specific guard designed for the selected wheel.** Wheels for which the power tool was not designed cannot be adequately guarded and are unsafe.
2. **The grinding surface of centre depressed wheels must be mounted below the plane of the guard lip.** An improperly mounted wheel that projects through the plane of the guard lip cannot be adequately protected.
3. **The guard must be securely attached to the power tool and positioned for maximum safety, so the least amount of wheel is exposed towards the operator.** The guard helps to protect the operator from broken wheel fragments, accidental contact with wheel and sparks that could ignite clothing.
4. **Wheels must be used only for recommended applications. For example: do not grind with the side of cut-off wheel.** Abrasive cut-off wheels are intended for peripheral grinding, side forces applied to these wheels may cause them to shatter.
5. **Always use undamaged wheel flanges that are of correct size and shape for your selected wheel.** Proper wheel flanges support the wheel thus reducing the possibility of wheel breakage. Flanges for cut-off wheels may be different from grinding wheel flanges.
6. **Do not use worn down wheels from larger power tools.** Wheel intended for larger power tool is not suitable for the higher speed of a smaller tool and may burst.

Additional Safety Warnings Specific for Abrasive Cutting-Off Operations:

1. **Do not “jam” the cut-off wheel or apply excessive pressure. Do not attempt to make an excessive depth of cut.** Overstressing the wheel increases the loading and susceptibility to twisting or binding of the wheel in the cut and the possibility of kickback or wheel breakage.
2. **Do not position your body in line with and behind the rotating wheel.** When the wheel, at the point of operation, is moving away from your body, the possible kickback may propel the spinning wheel and the power tool directly at you.
3. **When wheel is binding or when interrupting a cut for any reason, switch off the power tool and hold the power tool motionless until the wheel comes to a complete stop. Never attempt to remove the cut-off wheel from the cut while the wheel is in motion otherwise kickback may occur.** Investigate and take corrective action to eliminate the cause of wheel binding.
4. **Do not restart the cutting operation in the workpiece. Let the wheel reach full speed and carefully re-enter the cut.** The wheel may bind, walk up or kickback if the power tool is restarted in the workpiece.

5. **Support panels or any oversized workpiece to minimize the risk of wheel pinching and kickback.** Large workpieces tend to sag under their own weight. Supports must be placed under the workpiece near the line of cut and near the edge of the workpiece on both sides of the wheel.
6. **Use extra caution when making a “pocket cut” into existing walls or other blind areas.** The protruding wheel may cut gas or water pipes, electrical wiring or objects that can cause kickback.

Safety Warnings Specific for Sanding Operations:

1. **Do not use excessively oversized sanding disc paper. Follow manufacturers recommendations, when selecting sanding paper.** Larger sanding paper extending beyond the sanding pad presents a laceration hazard and may cause snagging, tearing of the disc or kickback.

Safety Warnings Specific for Wire Brushing Operations:

1. **Be aware that wire bristles are thrown by the brush even during ordinary operation. Do not overstress the wires by applying excessive load to the brush.** The wire bristles can easily penetrate light clothing and/or skin.
2. **If the use of a guard is recommended for wire brushing, do not allow any interference of the wire wheel or brush with the guard.** Wire wheel or brush may expand in diameter due to work load and centrifugal forces.

Additional Safety Warnings:

1. **When using depressed centre grinding wheels, be sure to use only fiberglass-reinforced wheels.**
2. **NEVER USE Stone Cup type wheels with this grinder.** This grinder is not designed for these types of wheels and the use of such a product may result in serious personal injury.
3. **Be careful not to damage the spindle, the flange (especially the installing surface) or the lock nut. Damage to these parts could result in wheel breakage.**
4. **Make sure the wheel is not contacting the workpiece before the switch is turned on.**
5. **Before using the tool on an actual workpiece, let it run for a while. Watch for vibration or wobbling that could indicate poor installation or a poorly balanced wheel.**
6. **Use the specified surface of the wheel to perform the grinding.**
7. **Do not leave the tool running. Operate the tool only when hand-held.**
8. **Do not touch the workpiece immediately after operation; it may be extremely hot and could burn your skin.**
9. **Observe the instructions of the manufacturer for correct mounting and use of wheels. Handle and store wheels with care.**
10. **Do not use separate reducing bushings or adaptors to adapt large hole abrasive wheels.**
11. **Use only flanges specified for this tool.**
12. **For tools intended to be fitted with threaded hole wheel, ensure that the thread in the wheel is long enough to accept the spindle length.**

13. Check that the workpiece is properly supported.
14. Pay attention that the wheel continues to rotate after the tool is switched off.
15. If working place is extremely hot and humid, or badly polluted by conductive dust, use a short-circuit breaker (30 mA) to assure operator safety.
16. Do not use the tool on any materials containing asbestos.
17. When use cut-off wheel, always work with the dust collecting wheel guard required by domestic regulation.
18. Cutting discs must not be subjected to any lateral pressure.
19. Do not use cloth work gloves during operation. Fibers from cloth gloves may enter the tool, which causes tool breakage.
10. The contained lithium-ion batteries are subject to the Dangerous Goods Legislation requirements.
For commercial transports e.g. by third parties, forwarding agents, special requirement on packaging and labeling must be observed. For preparation of the item being shipped, consulting an expert for hazardous material is required. Please also observe possibly more detailed national regulations.
Tape or mask off open contacts and pack up the battery in such a manner that it cannot move around in the packaging.
11. When disposing the battery cartridge, remove it from the tool and dispose of it in a safe place. Follow your local regulations relating to disposal of battery.
12. Use the batteries only with the products specified by Makita. Installing the batteries to non-compliant products may result in a fire, excessive heat, explosion, or leak of electrolyte.
13. If the tool is not used for a long period of time, the battery must be removed from the tool.

SAVE THESE INSTRUCTIONS.

⚠WARNING: DO NOT let comfort or familiarity with product (gained from repeated use) replace strict adherence to safety rules for the subject product. MISUSE or failure to follow the safety rules stated in this instruction manual may cause serious personal injury.

Important safety instructions for battery cartridge

1. Before using battery cartridge, read all instructions and cautionary markings on (1) battery charger, (2) battery, and (3) product using battery.
2. Do not disassemble battery cartridge.
3. If operating time has become excessively shorter, stop operating immediately. It may result in a risk of overheating, possible burns and even an explosion.
4. If electrolyte gets into your eyes, rinse them out with clear water and seek medical attention right away. It may result in loss of your eyesight.
5. Do not short the battery cartridge:
 - (1) Do not touch the terminals with any conductive material.
 - (2) Avoid storing battery cartridge in a container with other metal objects such as nails, coins, etc.
 - (3) Do not expose battery cartridge to water or rain.

A battery short can cause a large current flow, overheating, possible burns and even a breakdown.
6. Do not store the tool and battery cartridge in locations where the temperature may reach or exceed 50 °C (122 °F).
7. Do not incinerate the battery cartridge even if it is severely damaged or is completely worn out. The battery cartridge can explode in a fire.
8. Be careful not to drop or strike battery.
9. Do not use a damaged battery.

SAVE THESE INSTRUCTIONS.

⚠CAUTION: Only use genuine Makita batteries. Use of non-genuine Makita batteries, or batteries that have been altered, may result in the battery bursting causing fires, personal injury and damage. It will also void the Makita warranty for the Makita tool and charger.

Tips for maintaining maximum battery life

1. Charge the battery cartridge before completely discharged. Always stop tool operation and charge the battery cartridge when you notice less tool power.
2. Never recharge a fully charged battery cartridge. Overcharging shortens the battery service life.
3. Charge the battery cartridge with room temperature at 10 °C - 40 °C (50 °F - 104 °F). Let a hot battery cartridge cool down before charging it.
4. Charge the battery cartridge if you do not use it for a long period (more than six months).

Important safety instructions for wireless unit

1. Do not disassemble or tamper with the wireless unit.
2. Keep the wireless unit away from young children. If accidentally swallowed, seek medical attention immediately.
3. Use the wireless unit only with Makita tools.
4. Do not expose the wireless unit to rain or wet conditions.
5. Do not use the wireless unit in places where the temperature exceeds 50°C (122°F).
6. Do not operate the wireless unit in places where medical instruments, such as heart pace makers are nearby.

7. **Do not operate the wireless unit in places where automated devices are nearby.** If operated, automated devices may develop malfunction or error.
8. **Do not operate the wireless unit in places under high temperature or places where static electricity or electrical noise could be generated.**
9. **The wireless unit can produce electromagnetic fields (EMF) but they are not harmful to the user.**
10. **The wireless unit is an accurate instrument. Be careful not to drop or strike the wireless unit.**
11. **Avoid touching the terminal of the wireless unit with bare hands or metallic materials.**
12. **Always remove the battery on the product when installing the wireless unit into it.**
13. **When opening the lid of the slot, avoid the place where dust and water may come into the slot. Always keep the inlet of the slot clean.**
14. **Always insert the wireless unit in the correct direction.**
15. **Do not press the wireless activation button on the wireless unit too hard and/or press the button with an object with a sharp edge.**
16. **Always close the lid of the slot when operating.**
17. **Do not remove the wireless unit from the slot while the power is being supplied to the tool.**
Doing so may cause a malfunction of the wireless unit.
18. **Do not remove the sticker on the wireless unit.**
19. **Do not put any sticker on the wireless unit.**
20. **Do not leave the wireless unit in a place where static electricity or electrical noise could be generated.**
21. **Do not leave the wireless unit in a place subject to high heat, such as a car sitting in the sun.**
22. **Do not leave the wireless unit in a dusty or powdery place or in a place corrosive gas could be generated.**
23. **Sudden change of the temperature may bedew the wireless unit. Do not use the wireless unit until the dew is completely dried.**
24. **When cleaning the wireless unit, gently wipe with a dry soft cloth. Do not use benzine, thinner, conductive grease or the like.**
25. **When storing the wireless unit, keep it in the supplied case or a static-free container.**
26. **Do not insert any devices other than Makita wireless unit into the slot on the tool.**
27. **Do not use the tool with the lid of the slot damaged.** Water, dust, and dirt come into the slot may cause malfunction.
28. **Do not pull and/or twist the lid of the slot more than necessary.** Restore the lid if it comes off from the tool.
29. **Replace the lid of the slot if it is lost or damaged.**

SAVE THESE INSTRUCTIONS.

FUNCTIONAL DESCRIPTION

CAUTION: Always be sure that the tool is switched off and the battery cartridge is removed before adjusting or checking function on the tool.

Installing or removing battery cartridge

CAUTION: Always switch off the tool before installing or removing of the battery cartridge.

CAUTION: Hold the tool and the battery cartridge firmly when installing or removing battery cartridge. Failure to hold the tool and the battery cartridge firmly may cause them to slip off your hands and result in damage to the tool and battery cartridge and a personal injury.

► Fig.1: 1. Red indicator 2. Button 3. Battery cartridge

To remove the battery cartridge, slide it from the tool while sliding the button on the front of the cartridge.

To install the battery cartridge, align the tongue on the battery cartridge with the groove in the housing and slip it into place. Insert it all the way until it locks in place with a little click. If you can see the red indicator on the upper side of the button, it is not locked completely.

CAUTION: Always install the battery cartridge fully until the red indicator cannot be seen. If not, it may accidentally fall out of the tool, causing injury to you or someone around you.

CAUTION: Do not install the battery cartridge forcibly. If the cartridge does not slide in easily, it is not being inserted correctly.

Indicating the remaining battery capacity

Only for battery cartridges with the indicator

► Fig.2: 1. Indicator lamps 2. Check button

Press the check button on the battery cartridge to indicate the remaining battery capacity. The indicator lamps light up for a few seconds.

Indicator lamps			Remaining battery capacity
Lighted	Off	Blinking	
■	□	▧	75% to 100%
■	■	■	
■	■	□	
■	□	□	
■	□	□	
■	■	□	50% to 75%
■	■	□	25% to 50%
■	□	□	0% to 25%
▧	□	□	Charge the battery.
■	■	□	The battery may have malfunctioned.
□	□	■	

NOTE: Depending on the conditions of use and the ambient temperature, the indication may differ slightly from the actual capacity.

Indicating the remaining battery capacity

Country specific

When you turn the tool on, the battery indicator shows the remaining battery capacity.

► Fig.3: 1. Battery indicator

The remaining battery capacity is shown as the following table.

Battery indicator status			Remaining battery capacity
On	Off	Blinking	
■	□	▧	50% to 100%
■	■	■	
■	■	□	
■	□	□	20% to 50%
■	□	□	0% to 20%
▧	□	□	Charge the battery

Tool / battery protection system

The tool is equipped with a tool/battery protection system. This system automatically cuts off power to the motor to extend tool and battery life. The tool will automatically stop during operation if the tool or battery is placed under one of the following conditions:

Overload protection

When the tool is operated in a manner that causes it to draw an abnormally high current, the tool automatically stops without any indication. In this situation, turn the tool off and stop the application that caused the tool to become overloaded. Then turn the tool on to restart.

Overheat protection

When the tool is overheated, the tool stops automatically and the battery indicator shows following state. In this situation, let the tool cool before turning the tool on again.

On	Blinking
■	▧

If the tool does not start, the battery may be overheated. In this situation, let the battery cool before starting the tool again.

Overdischarge protection

When the battery capacity is not enough, the tool stops automatically. In this case, remove the battery from the tool and charge the battery.

Releasing protection lock

When the protection system works repeatedly, the tool is locked and the battery indicator shows the following state.

In this situation, the tool does not start even if turning the tool off and on. To release the protection lock, remove the battery, set it to the battery charger and wait until the charging finishes.

On	Off	Blinking
■	□	▧

Shaft lock

Press the shaft lock to prevent spindle rotation when installing or removing accessories.

► Fig.4: 1. Shaft lock

NOTICE: Never actuate the shaft lock when the spindle is moving. The tool may be damaged.

Switch action

CAUTION: Before installing the battery cartridge into the tool, always check to see that the switch lever actuates properly and returns to the “OFF” position when released.

CAUTION: For your safety, this tool is equipped with lock-off lever which prevents the tool from unintended starting. NEVER use the tool if it runs when you simply pull the switch trigger without pulling the lock-off lever. Return the tool to our authorized service center for proper repairs BEFORE further usage.

CAUTION: Do not pull the switch lever hard without pulling the lock-off lever. This can cause switch breakage.

CAUTION: NEVER tape down or defeat purpose and function of lock-off lever.

To prevent the switch lever from being accidentally pulled, a lock-off lever is provided. To start the tool, pull the lock-off lever toward the operator and then pull the switch lever.

To stop the tool, release the switch lever.

► Fig.5: 1. Lock-off lever 2. Switch lever

Speed adjusting dial

The rotation speed of the tool can be changed by turning the speed adjusting dial. The table below shows the number on the dial and the corresponding rotation speed.

► Fig.6: 1. Speed adjusting dial



Number	Speed
1	3,000 min ⁻¹
2	4,500 min ⁻¹
3	6,000 min ⁻¹
4	7,500 min ⁻¹
5	8,500 min ⁻¹

NOTICE: If the tool is operated continuously at low speed for a long time, the motor will get overloaded, resulting in tool malfunction.

NOTICE: When changing the speed dial from “5” to “1”, turn the dial counterclockwise. Do not turn the dial clockwise forcibly.

Automatic speed change function

► Fig.7: 1. Mode indicator

Mode indicator status	Operation mode
	High speed mode
	High torque mode

This tool has “high speed mode” and “high torque mode”. It automatically changes operation mode depending on the work load. When mode indicator lights up during operation, the tool is in high torque mode.

Accidental re-start preventive function

Even if installing the battery cartridge while pulling the switch lever, the tool does not start.

To start the tool, first release the switch lever. Then pull the lock-off lever, and pull the switch lever.

Electronic torque control function

The tool electronically detects situations where the wheel or accessory may be at risk to be bound. In the situation, the tool is automatically shut off to prevent further rotation of the spindle (it does not prevent kickback).

To restart the tool, switch off the tool first, remove the cause of sudden drop in the rotation speed, and then turn the tool on.

Soft start feature

Soft start feature reduces starting reaction.

Electric brake

Electric brake is activated after the tool is switched off. The brake does not work when the power supply is shut down, such as the battery is removed accidentally, with the switch still on.

ASSEMBLY

CAUTION: Always be sure that the tool is switched off and the battery cartridge is removed before adjusting or checking function on the tool.

Installing side grip (handle)

CAUTION: Always be sure that the side grip is installed securely before operation.

Screw the side grip securely on the position of the tool as shown in the figure.

► Fig.8

Installing or removing wheel guard (For depressed center wheel, flap disc, flex wheel, wire wheel brush / abrasive cut-off wheel, diamond wheel)

⚠ WARNING: When using a depressed center wheel, flap disc, flex wheel or wire wheel brush, the wheel guard must be fitted on the tool so that the closed side of the guard always points toward the operator.

⚠ WARNING: When using an abrasive cut-off / diamond wheel, be sure to use only the special wheel guard designed for use with cut-off wheels.

(In some European countries, when using a diamond wheel, the ordinary guard can be used. Follow the regulations in your country.)

For tool with locking screw type wheel guard

Mount the wheel guard with the protrusions on the wheel guard band aligned with the notches on the bearing box. Then rotate the wheel guard to such an angle that it can protect the operator according to work. Be sure to tighten the screw securely.

To remove wheel guard, follow the installation procedure in reverse.

► **Fig.9:** 1. Wheel guard 2. Bearing box 3. Screw

For tool with clamp lever type wheel guard

Loosen the screw, and then pull the lever in the direction of the arrow. Mount the wheel guard with the protrusions on the wheel guard band aligned with the notches on the bearing box. Then rotate the wheel guard to such an angle that it can protect the operator according to work.

► **Fig.10:** 1. Wheel guard 2. Bearing box 3. Screw 4. Lever

Pull the lever in direction of the arrow. Then tighten the wheel guard with fastening the screw. Be sure to tighten the screw securely. The setting angle of the wheel guard can be adjusted with the lever.

► **Fig.11:** 1. Screw 2. Lever

To remove wheel guard, follow the installation procedure in reverse.

Installing or removing depressed center wheel or flap disc

Optional accessory

⚠ WARNING: When using a depressed center wheel or flap disc, the wheel guard must be fitted on the tool so that the closed side of the guard always points toward the operator.

⚠ CAUTION: Make sure that the mounting part of the inner flange fits into the inner diameter of the depressed center wheel / flap disc perfectly. Mounting the inner flange on the wrong side may result in the dangerous vibration.

Mount the inner flange onto the spindle.

Make sure to fit the dented part of the inner flange onto the straight part at the bottom of the spindle.

Fit the depressed center wheel / flap disc on the inner flange and screw the lock nut onto the spindle.

► **Fig.12:** 1. Lock nut 2. Depressed center wheel 3. Inner flange 4. Mounting part

To tighten the lock nut, press the shaft lock firmly so that the spindle cannot revolve, then use the lock nut wrench and securely tighten clockwise.

► **Fig.13:** 1. Lock nut wrench 2. Shaft lock

To remove the wheel, follow the installation procedure in reverse.

Installing or removing flex wheel

Optional accessory

⚠ WARNING: Always use supplied guard when flex wheel is on tool. Wheel can shatter during use and guard helps to reduce chances of personal injury.

► **Fig.14:** 1. Lock nut 2. Flex wheel 3. Back up pad 4. Inner flange

Follow instructions for depressed center wheel but also use back up pad over wheel. See order of assembly on accessories page in this manual.

Installing or removing abrasive disc

Optional accessory

NOTE: Use sander accessories specified in this manual. These must be purchased separately.

For 100 mm (4") model

► **Fig.15:** 1. Sanding lock nut 2. Abrasive disc 3. Rubber pad 4. Inner flange

1. Mount the inner flange onto the spindle.
2. Mount the rubber pad onto the spindle.
3. Fit the disc on the rubber pad and screw the sanding lock nut onto the spindle.
4. Hold the spindle with the shaft lock, and securely tighten the sanding lock nut clockwise with the lock nut wrench.

To remove the disc, follow the installation procedure in reverse.

For 115 mm (4 - 1/2") / 125 mm (5") model

► **Fig.16:** 1. Sanding lock nut 2. Abrasive disc 3. Rubber pad

1. Mount the rubber pad onto the spindle.
2. Fit the disc on the rubber pad and screw the sanding lock nut onto the spindle.

3. Hold the spindle with the shaft lock, and securely tighten the sanding lock nut clockwise with the lock nut wrench.

To remove the disc, follow the installation procedure in reverse.

Connecting a vacuum cleaner

Optional accessory

⚠ WARNING: Never vacuum metal particles created by grinding/cutting/sanding operation. Metal particles created by such operation are so hot that they ignite dust and the filter inside the vacuum cleaner.

To avoid dusty environment caused by masonry cutting, use a dust collecting wheel guard and a vacuum cleaner.

Refer to the instruction manual attached to the dust collecting wheel guard for assembling and using it.

► **Fig.17:** 1. Dust collecting wheel guard 2. Hose of the vacuum cleaner

OPERATION

⚠ WARNING: It should never be necessary to force the tool. The weight of the tool applies adequate pressure. Forcing and excessive pressure could cause dangerous wheel breakage.

⚠ WARNING: ALWAYS replace wheel if tool is dropped while grinding.

⚠ WARNING: NEVER bang or hit grinding disc or wheel onto work.

⚠ WARNING: Avoid bouncing and snagging the wheel, especially when working corners, sharp edges etc. This can cause loss of control and kickback.

⚠ WARNING: NEVER use tool with wood cutting blades and other saw blades. Such blades when used on a grinder frequently kick and cause loss of control leading to personal injury.

⚠ CAUTION: Never switch on the tool when it is in contact with the workpiece, it may cause an injury to operator.

⚠ CAUTION: Always wear safety goggles or a face shield during operation.

⚠ CAUTION: After operation, always switch off the tool and wait until the wheel has come to a complete stop before putting the tool down.

⚠ CAUTION: ALWAYS hold the tool firmly with one hand on housing and the other on the side grip (handle).

Grinding and sanding operation

► Fig.18

Turn the tool on and then apply the wheel or disc to the workpiece.

In general, keep the edge of the wheel or disc at an angle of about 15° to the workpiece surface. During the break-in period with a new wheel, do not work the grinder in forward direction or it may cut into the workpiece. Once the edge of the wheel has been rounded off by use, the wheel may be worked in both forward and backward direction.

Operation with abrasive cut-off / diamond wheel

Optional accessory

⚠ WARNING: When using an abrasive cut-off / diamond wheel, be sure to use only the special wheel guard designed for use with cut-off wheels.

(In some European countries, when using a diamond wheel, the ordinary guard can be used. Follow the regulations in your country.)

⚠ WARNING: NEVER use cut-off wheel for side grinding.

⚠ WARNING: Do not "jam" the wheel or apply excessive pressure. Do not attempt to make an excessive depth of cut. Overstressing the wheel increases the loading and susceptibility to twisting or binding of the wheel in the cut and the possibility of kickback, wheel breakage and overheating of the motor may occur.

⚠ WARNING: Do not start the cutting operation in the workpiece. Let the wheel reach full speed and carefully enter into the cut moving the tool forward over the workpiece surface. The wheel may bind, walk up or kickback if the power tool is started in the workpiece.

⚠ WARNING: During cutting operations, never change the angle of the wheel. Placing side pressure on the cut-off wheel (as in grinding) will cause the wheel to crack and break, causing serious personal injury.

⚠ WARNING: A diamond wheel shall be operated perpendicular to the material being cut.

► **Fig.19:** 1. Lock nut 2. Abrasive cut-off wheel / diamond wheel 3. Inner flange 4. Wheel guard for abrasive cut-off wheel / diamond wheel

As for the installation, follow the instructions for depressed center wheel.

The direction for mounting the lock nut and the inner flange varies by wheel type and thickness. Refer to the following figures.

For 100 mm (4") model

When installing the abrasive cut-off wheel:

► **Fig.20:** 1. Lock nut 2. Abrasive cut-off wheel (Thinner than 4 mm (5/32")) 3. Abrasive cut-off wheel (4 mm (5/32") or thicker) 4. Inner flange

When installing the diamond wheel:

- **Fig.21:** 1. Lock nut 2. Diamond wheel (Thinner than 4 mm (5/32")) 3. Diamond wheel (4 mm (5/32") or thicker) 4. Inner flange

For 115 mm (4 - 1/2") / 125 mm (5") model

When installing the abrasive cut-off wheel:

- **Fig.22:** 1. Lock nut 2. Abrasive cut-off wheel (Thinner than 4 mm (5/32")) 3. Abrasive cut-off wheel (4 mm (5/32") or thicker) 4. Inner flange

When installing the diamond wheel:

- **Fig.23:** 1. Lock nut 2. Diamond wheel (Thinner than 4 mm (5/32")) 3. Diamond wheel (4 mm (5/32") or thicker) 4. Inner flange

Operation with wire cup brush

Optional accessory

CAUTION: Check operation of brush by running tool with no load, insuring that no one is in front of or in line with brush.

CAUTION: Do not use brush that is damaged, or which is out of balance. Use of damaged brush could increase potential for injury from contact with broken brush wires.

- **Fig.24:** 1. Wire cup brush

Remove the battery cartridge from the tool and place it upside down allowing easy access to spindle.

Remove any accessories on spindle. Thread wire cup brush onto spindle and tighten with supplied wrench.

NOTICE: Avoid applying too much pressure which causes over bending of wires when using brush. It may lead to premature breakage.

Operation with wire wheel brush

Optional accessory

CAUTION: Check operation of wire wheel brush by running tool with no load, insuring that no one is in front of or in line with the wire wheel brush.

CAUTION: Do not use wire wheel brush that is damaged, or which is out of balance. Use of damaged wire wheel brush could increase potential for injury from contact with broken wires.

CAUTION: ALWAYS use guard with wire wheel brushes, assuring diameter of wheel fits inside guard. Wheel can shatter during use and guard helps to reduce chances of personal injury.

- **Fig.25:** 1. Wire wheel brush

Remove the battery cartridge from the tool and place it upside down allowing easy access to spindle.

Remove any accessories on spindle. Thread wire wheel brush onto spindle and tighten with the wrenches.

NOTICE: Avoid applying too much pressure which causes over bending of wires when using wire wheel brush. It may lead to premature breakage.

WIRELESS ACTIVATION FUNCTION

For DGA418/DGA468/DGA518 only

What you can do with the wireless activation function

The wireless activation function enables clean and comfortable operation. By connecting a supported vacuum cleaner to the tool, you can run the vacuum cleaner automatically along with the switch operation of the tool.

- **Fig.26**

To use the wireless activation function, prepare following items:

- A wireless unit (optional accessory)
- A vacuum cleaner which supports the wireless activation function

The overview of the wireless activation function setting is as follows. Refer to each section for detail procedures.

1. Installing the wireless unit
2. Tool registration for the vacuum cleaner
3. Starting the wireless activation function

Installing the wireless unit

Optional accessory

CAUTION: Place the tool on a flat and stable surface when installing the wireless unit.

NOTICE: Clean the dust and dirt on the tool before installing the wireless unit. Dust or dirt may cause malfunction if it comes into the slot of the wireless unit.

NOTICE: To prevent the malfunction caused by static, touch a static discharging material, such as a metal part of the tool, before picking up the wireless unit.

NOTICE: When installing the wireless unit, always be sure that the wireless unit is inserted in the correct direction and the lid is completely closed.

1. Open the lid on the tool as shown in the figure.
- **Fig.27:** 1. Lid
2. Insert the wireless unit to the slot and then close the lid.

When inserting the wireless unit, align the projections with the recessed portions on the slot.

- **Fig.28:** 1. Wireless unit 2. Projection 3. Lid 4. Recessed portion

When removing the wireless unit, open the lid slowly. The hooks on the back of the lid will lift the wireless unit as you pull up the lid.

► **Fig.29:** 1. Wireless unit 2. Hook 3. Lid

After removing the wireless unit, keep it in the supplied case or a static-free container.

NOTICE: Always use the hooks on the back of the lid when removing the wireless unit. If the hooks do not catch the wireless unit, close the lid completely and open it slowly again.

Tool registration for the vacuum cleaner

NOTE: A Makita vacuum cleaner supporting the wireless activation function is required for the tool registration.

NOTE: Finish installing the wireless unit to the tool before starting the tool registration.

NOTE: During the tool registration, do not pull the switch trigger or turn on the power switch on the vacuum cleaner.

NOTE: Refer to the instruction manual of the vacuum cleaner, too.

If you wish to activate the vacuum cleaner along with the switch operation of the tool, finish the tool registration beforehand.

1. Install the batteries to the vacuum cleaner and the tool.

2. Set the stand-by switch on the vacuum cleaner to "AUTO".

► **Fig.30:** 1. Stand-by switch

3. Press the wireless activation button on the vacuum cleaner for 3 seconds until the wireless activation lamp blinks in green. And then press the wireless activation button on the tool in the same way.

► **Fig.31:** 1. Wireless activation button 2. Wireless activation lamp

If the vacuum cleaner and the tool are linked successfully, the wireless activation lamps will light up in green for 2 seconds and start blinking in blue.

NOTE: The wireless activation lamps finish blinking in green after 20 seconds elapsed. Press the wireless activation button on the tool while the wireless activation lamp on the cleaner is blinking. If the wireless activation lamp does not blink in green, push the wireless activation button briefly and hold it down again.

NOTE: When performing two or more tool registrations for one vacuum cleaner, finish the tool registration one by one.

Starting the wireless activation function

NOTE: Finish the tool registration for the vacuum cleaner prior to the wireless activation.

NOTE: Refer to the instruction manual of the vacuum cleaner, too.

After registering a tool to the vacuum cleaner, the vacuum cleaner will automatically runs along with the switch operation of the tool.

1. Install the wireless unit to the tool.

2. Connect the hose of the vacuum cleaner with the tool.

► **Fig.32**

3. Set the stand-by switch on the vacuum cleaner to "AUTO".

► **Fig.33:** 1. Stand-by switch

4. Push the wireless activation button on the tool briefly. The wireless activation lamp will blink in blue.

► **Fig.34:** 1. Wireless activation button 2. Wireless activation lamp

5. Pull the switch trigger of the tool. Check if the vacuum cleaner runs while the switch trigger is being pulled.

To stop the wireless activation of the vacuum cleaner, push the wireless activation button on the tool.

NOTE: The wireless activation lamp on the tool will stop blinking in blue when there is no operation for 2 hours. In this case, set the stand-by switch on the vacuum cleaner to "AUTO" and push the wireless activation button on the tool again.

NOTE: The vacuum cleaner starts/stops with a delay. There is a time lag when the vacuum cleaner detects a switch operation of the tool.










NOTE: The transmission distance of the wireless unit may vary depending on the location and surrounding circumstances.

NOTE: When two or more tools are registered to one vacuum cleaner, the vacuum cleaner may start running even if you don't pull the switch trigger because another user is using the wireless activation function.

Description of the wireless activation lamp status

► Fig.35: 1. Wireless activation lamp

The wireless activation lamp shows the status of the wireless activation function. Refer to the table below for the meaning of the lamp status.

Status	Wireless activation lamp				Description
	Color	 On	 Blinking	Duration	
Standby	Blue			2 hours	The wireless activation of the vacuum cleaner is available. The lamp will automatically turn off when no operation is performed for 2 hours.
				When the tool is running.	The wireless activation of the vacuum cleaner is available and the tool is running.
Tool registration	Green			20 seconds	Ready for the tool registration. Waiting for the registration by the vacuum cleaner.
				2 seconds	The tool registration has been finished. The wireless activation lamp will start blinking in blue.
Cancelling tool registration	Red			20 seconds	Ready for the cancellation of the tool registration. Waiting for the cancellation by the vacuum cleaner.
				2 seconds	The cancellation of the tool registration has been finished. The wireless activation lamp will start blinking in blue.
Others	Red			3 seconds	The power is supplied to the wireless unit and the wireless activation function is starting up.
	Off	-		-	The wireless activation of the vacuum cleaner is stopped.

Cancelling tool registration for the vacuum cleaner

Perform the following procedure when cancelling the tool registration for the vacuum cleaner.

1. Install the batteries to the vacuum cleaner and the tool.
2. Set the stand-by switch on the vacuum cleaner to "AUTO".

► Fig.36: 1. Stand-by switch

3. Press the wireless activation button on the vacuum cleaner for 6 seconds. The wireless activation lamp blinks in green and then become red. After that, press the wireless activation button on the tool in the same way.

► Fig.37: 1. Wireless activation button 2. Wireless activation lamp

If the cancellation is performed successfully, the wireless activation lamps will light up in red for 2 seconds and start blinking in blue.

NOTE: The wireless activation lamps finish blinking in red after 20 seconds elapsed. Press the wireless activation button on the tool while the wireless activation lamp on the cleaner is blinking. If the wireless activation lamp does not blink in red, push the wireless activation button briefly and hold it down again.

Troubleshooting for wireless activation function

Before asking for repairs, conduct your own inspection first. If you find a problem that is not explained in the manual, do not attempt to dismantle the tool. Instead, ask Makita Authorized Service Centers, always using Makita replacement parts for repairs.

State of abnormality	Probable cause (malfunction)	Remedy
The wireless activation lamp does not light/blink.	The wireless unit is not installed into the tool. The wireless unit is improperly installed into the tool.	Install the wireless unit correctly.
	The terminal of the wireless unit and/or the slot is dirty.	Gently wipe off dust and dirt on the terminal of the wireless unit and clean the slot.
	The wireless activation button on the tool has not been pushed.	Push the wireless activation button on the tool briefly.
	The stand-by switch on the vacuum cleaner is not set to "AUTO".	Set the stand-by switch on the vacuum cleaner to "AUTO".
	No power supply	Supply the power to the tool and the vacuum cleaner.
Cannot finish tool registration / cancelling tool registration successfully.	The wireless unit is not installed into the tool. The wireless unit is improperly installed into the tool.	Install the wireless unit correctly.
	The terminal of the wireless unit and/or the slot is dirty.	Gently wipe off dust and dirt on the terminal of the wireless unit and clean the slot.
	The stand-by switch on the vacuum cleaner is not set to "AUTO".	Set the stand-by switch on the vacuum cleaner to "AUTO".
	No power supply	Supply the power to the tool and the vacuum cleaner.
	Incorrect operation	Push the wireless activation button briefly and perform the tool registration/cancellation procedures again.
	The tool and vacuum cleaner are away from each other (out of the transmission range).	Get the tool and vacuum cleaner closer to each other. The maximum transmission distance is approximately 10 m however it may vary according to the circumstances.
	Before finishing the tool registration/cancellation; - the switch trigger on the tool is pulled or; - the power button on the vacuum cleaner is turned on.	Push the wireless activation button briefly and perform the tool registration/cancellation procedures again.
	The tool registration procedures for the tool or vacuum cleaner have not finished.	Perform the tool registration procedures for both the tool and the vacuum cleaner at the same timing.
Radio disturbance by other appliances which generate high-intensity radio waves.	Keep the tool and vacuum cleaner away from the appliances such as Wi-Fi devices and microwave ovens.	

State of abnormality	Probable cause (malfunction)	Remedy
The vacuum cleaner does not run along with the switch operation of the tool.	The wireless unit is not installed into the tool. The wireless unit is improperly installed into the tool.	Install the wireless unit correctly.
	The terminal of the wireless unit and/or the slot is dirty.	Gently wipe off dust and dirt on the terminal of the wireless unit and clean the slot.
	The wireless activation button on the tool has not been pushed.	Push the wireless activation button briefly and make sure that the wireless activation lamp is blinking in blue.
	The stand-by switch on the vacuum cleaner is not set to "AUTO".	Set the stand-by switch on the vacuum cleaner to "AUTO".
	More than 10 tools are registered to the vacuum cleaner.	Perform the tool registration again. If more than 10 tools are registered to the vacuum cleaner, the tool registered earliest will be cancelled automatically.
	The vacuum cleaner erased all tool registrations.	Perform the tool registration again.
	No power supply	Supply the power to the tool and the vacuum cleaner.
	The tool and vacuum cleaner are away from each other (out of the transmission range).	Get the tool and vacuum cleaner closer each other. The maximum transmission distance is approximately 10 m however it may vary according to the circumstances.
	Radio disturbance by other appliances which generate high-intensity radio waves.	Keep the tool and vacuum cleaner away from the appliances such as Wi-Fi devices and microwave ovens.
The vacuum cleaner runs while the tool's switch trigger is not pulled.	Other users are using the wireless activation of the vacuum cleaner with their tools.	Turn off the wireless activation button of the other tools or cancel the tool registration of the other tools.

MAINTENANCE

CAUTION: Always be sure that the tool is switched off and the battery cartridge is removed before attempting to perform inspection or maintenance.

NOTICE: Never use gasoline, benzine, thinner, alcohol or the like. Discoloration, deformation or cracks may result.

Air vent cleaning

The tool and its air vents have to be kept clean. Regularly clean the tool's air vents or whenever the vents start to become obstructed.

► **Fig.38:** 1. Exhaust vent 2. Inhalation vent

Remove the dust cover from inhalation vent and clean it for smooth air circulation.

► **Fig.39:** 1. Dust cover

NOTICE: Clean out the dust cover when it is clogged with dust or foreign matters. Continuing operation with a clogged dust cover may damage the tool.

OPTIONAL ACCESSORIES

⚠ CAUTION: These accessories or attachments are recommended for use with your Makita tool specified in this manual. The use of any other accessories or attachments might present a risk of injury to persons. Only use accessory or attachment for its stated purpose.

If you need any assistance for more details regarding these accessories, ask your local Makita Service Center.

- Makita genuine battery and charger
- Wireless unit (For models with wireless activation function)

► **Fig.40**

-	100 mm (4") model	115 mm (4-1/2") model	125 mm (5") model
1	Grip 36		
2	Wheel Guard (for grinding wheel)		
3	Inner flange		
4	Depressed center wheel / Flap disc		
5	Lock nut		
6	Back up pad		
7	Flex wheel		
8	Inner flange and rubber pad 76	Rubber pad 100	Rubber pad 115
9	Abrasive disc		
10	Sanding lock nut		
11	Wire wheel brush		
12	Wire cup brush		
13	Wheel Guard (for cut-off wheel) *1		
14	Abrasive cut-off wheel / Diamond wheel		
15	Dust collecting wheel guard		
-	Lock nut wrench		

NOTE: *1 In some European countries, when using a diamond wheel, the ordinary guard can be used instead of the special guard covering the both side of the wheel. Follow the regulations in your country.

NOTE: Some items in the list may be included in the tool package as standard accessories. They may differ from country to country.

规格

型号:	DGA417	DGA418
砂轮直径	100 mm (4")	
最大砂轮厚度	6.4 mm	
主轴螺纹	M10	
额定速度 (n)	8,500 r/min	
长度	382 mm	
额定电压	D.C. 18 V	
净重	2.2 - 2.9 kg	
电动制动器	✓	
无线启动功能	-	✓

型号:	DGA467	DGA468
砂轮直径	115 mm (4-1/2")	
最大砂轮厚度	7.2 mm	
主轴螺纹	M14或5/8" (规格因国家而异)	
额定速度 (n)	8,500 r/min	
长度	382 mm	
额定电压	D.C. 18 V	
净重	2.4 - 3.1 kg	
电动制动器	✓	
无线启动功能	-	✓

型号:	DGA517	DGA518
砂轮直径	125 mm (5")	
最大砂轮厚度	7.2 mm	
主轴螺纹	M14或5/8" (规格因国家而异)	
额定速度 (n)	8,500 r/min	
长度	382 mm	
额定电压	D.C. 18 V	
净重	2.4 - 3.1 kg	
电动制动器	✓	
无线启动功能	-	✓

- 生产者保留变更规格不另行通知之权利。
- 规格可能因销往国家之不同而异。
- 重量因附件 (包括电池组) 而异。根据EPTA-Procedure 01/2014, 最重与最轻的组合见表格。

适用电池组

BL1815N / BL1820 / BL1820B / BL1830 / BL1830B / BL1840 / BL1840B / BL1850 / BL1850B / BL1860B

- 部分以上所列电池组是否适用视用户所在地区而异。

警告： 请仅使用以上所列电池组。使用其他类型的电池组可能会导致人身伤害和 / 或失火。

符号

以下显示本工具使用的符号。在使用工具之前请务必理解其含义。



阅读使用说明书。



佩带安全眼镜。



仅限于欧盟国家
请勿将电气设备或电池组与家庭普通废弃物一同丢弃！
请务必遵守欧洲关于废弃电子电气设备、电池和蓄电池以及废弃电池和蓄电池的指令并根据法律法规执行。达到使用寿命的电气设备和电池组必须分类回收至符合环境保护规定的再循环机构。

用途

本工具用于在无水的情况下进行金属和石块材料的磨削、砂磨和切割。

安全警告

电动工具通用安全警告

警告： 阅读随电动工具提供的所有安全警告、说明、图示和规定。不遵照以下所列说明会导致电击、着火和 / 或严重伤害。

保存所有警告和说明书以备查阅。

警告中的术语“电动工具”是指市电驱动（有线）电动工具或电池驱动（无线）电动工具。

工作场地的安全

1. 保持工作场地清洁和明亮。杂乱和黑暗的场地会引发事故。
2. 不要在易爆环境，如有易燃液体、气体或粉尘的环境下操作电动工具。电动工具产生的火花会点燃粉尘或气体。
3. 操作电动工具时，远离儿童和旁观者。注意力不集中会使你失去对工具的控制。

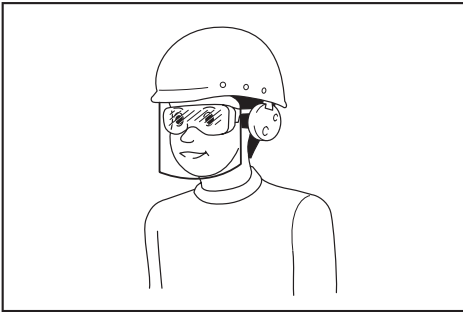
电气安全

1. 电动工具插头必须与插座相配。绝不能以任何方式改装插头。需接地的电动工具不能使用任何转换插头。未经改装的插头和相配的插座将降低电击风险。
2. 避免人体接触接地表面，如管道、散热片和冰箱。如果你身体接触接地表面会增加电击风险。
3. 不得将电动工具暴露在雨中或潮湿环境中。水进入电动工具将增加电击风险。
4. 不得滥用软线。绝不能用软线搬运、拉动电动工具或拔出其插头。使软线远离热源、油、锐边或运动部件。受损或缠绕的软线会增加电击风险。
5. 当在户外使用电动工具时，使用适合户外使用的延长线。适合户外使用的电线将降低电击风险。
6. 如果无法避免在潮湿环境中操作电动工具，应使用带有剩余电流装置（RCD）保护的电源。RCD的使用可降低电击风险。
7. 电动工具会产生对用户无害的电磁场（EMF）。但是，起搏器和其他类似医疗设备的用户应在操作本电动工具前咨询其设备的制造商和 / 或医生寻求建议。

人身安全

1. 保持警觉，当操作电动工具时关注所从事的操作并保持清醒。当你感到疲倦，或在有药物、酒精或治疗反应时，不要操作电动工具。在操作电动工具时瞬间的疏忽会导致严重人身伤害。
2. 使用个人防护装置。始终佩戴护目镜。防护装置，诸如适当条件下使用防尘面具、防滑安全鞋、安全帽、听力防护等装置能减少人身伤害。

- 防止意外起动。在连接电源和/或电池包、拿起或搬运工具前确保开关处于关闭位置。手指放在开关上搬运工具或开关处于接通时通电会导致危险。
- 在电动工具接通之前，拿掉所有调节钥匙或扳手。遗留在电动工具旋转零件上的扳手或钥匙会导致人身伤害。
- 手不要过分伸展。时刻注意立足点和身体平衡。这样能在意外情况下能更好地控制住电动工具。
- 着装适当。不要穿宽松衣服或佩戴饰品。让你的头发和衣服远离运动部件。宽松衣服、佩饰或长发可能会卷入运动部件。
- 如果提供了与排屑、集尘设备连接用的装置，要确保其连接完好且使用得当。使用集尘装置可降低尘屑引起的危险。
- 不要因为频繁使用工具而产生的熟悉感而掉以轻心，忽视工具的安全准则。某个粗心的动作可能在瞬间导致严重的伤害。
- 使用电动工具时请始终佩戴护目镜以免伤害眼睛。护目镜须符合美国ANSI Z87.1、欧洲EN 166或者澳大利亚/新西兰的AS/NZS 1336的规定。在澳大利亚/新西兰，法律要求佩戴面罩保护脸部。



雇主有责任监督工具操作者和其他近工作区域人员佩戴合适的安全防护设备。

电动工具使用和注意事项

- 不要勉强使用电动工具，根据用途使用合适的电动工具。选用合适的按照额定值设计的电动工具会使你工作更有效、更安全。
- 如果开关不能接通或关断电源，则不能使用该电动工具。不能通过开关来控制电动工具是危险的且必须进行修理。
- 在进行任何调节、更换附件或贮存电动工具之前，必须从电源上拔掉插头和/或卸下电池包（如可拆卸）。这种防护性的安全措施降低了电动工具意外起动的风险。
- 将闲置不用的电动工具贮存在儿童所及范围之外，并且不允许不熟悉电动工具和不了解这些说明的人操作电动工具。电动工具在未经培训的使用者手中是危险的。
- 维护电动工具及其附件。检查运动部件是否调整到位或卡住，检查零件破损情况和影响电动工具运行的其他状况。如有损坏，应在使用前修理好电动工具。许多事故是由维护不良的电动工具引发的。
- 保持切削刀具锋利和清洁。维护良好地有锋利切削刃的刀具不易卡住而且容易控制。
- 按照使用说明书，并考虑作业条件和要进行的作业来选择电动工具、附件和工具的刀头等。将电动工具用于那些与其用途不符的操作可能会导致危险情况。
- 保持手柄和握持表面干燥、清洁，不得沾有油脂。在意外的情况下，湿滑的手柄不能保证握持的安全和对工具的控制。
- 使用本工具时，请勿佩戴可能会缠绕的布质工作手套。布质工作手套卷入移动部件可能会造成人身伤害。

电池式工具使用和注意事项

- 仅使用生产者规定的充电器充电。将适用于某种电池包的充电器用到其他电池包时可能会发生着火危险。
- 仅使用配有专用电池包的电动工具。使用其他电池包可能会产生伤害和着火危险。
- 当电池包不用时，将它远离其他金属物体，例如回形针、硬币、钥匙、钉子、螺钉或其他小金属物体，以防电池包一端与另一端连接。电池组端部短路可能会引起燃烧或着火。
- 在滥用条件下，液体可能会从电池组中溅出；应避免接触。如果意外碰到液体，用水冲洗。如果液体碰到了眼睛，还应寻求医疗帮助。从电池中溅出的液体可能会发生腐蚀或燃烧。
- 不要使用损坏或改装过的电池包或工具。损坏或改装过的电池组可能呈现无法预测的结果，导致着火、爆炸或伤害。
- 不要将电池包暴露于火或高温中。电池包暴露于火或高于130℃的高温中可能导致爆炸。

7. 遵循所有充电说明。不要在说明书中指定的温度范围之外给电池包或电动工具充电。不正确或在指定的温度范围外充电可能会损坏电池和增加着火的风险。

维修

1. 让专业维修人员使用相同的备件维修电动工具。这将保证所维修的电动工具的安全。
2. 决不能维修损坏的电池包。电池包仅能由生产者或其授权的维修服务商进行维修。
3. 上润滑油及更换附件时请遵循本说明书指示。

充电式磨光机使用安全警告

通用于磨削、砂磨、用钢丝刷清理或砂轮切割操作的安全警告：

1. 本电动工具用作磨光机、砂光机、钢丝刷或切断机。请通读本电动工具附带的所有安全警告、说明、插图和规定。若不遵循下列说明，则可能导致触电、起火和/或严重的人身伤害。
2. 最好不要将本工具用于抛光等操作。进行非本工具设计用途的操作可能会有危险并导致人身伤害。
3. 请勿使用非专用的或未得到工具制造商推荐的附件。这样的附件虽然可安装在电动工具上，但无法确保操作安全。
4. 附件的额定速度必须至少等同于电动工具上标示的最大速度。当运转速度大于额定速度时，附件可能会破裂并飞出。
5. 附件的外径和厚度必须在工具的额定能力之内。尺寸不正确的附件将无法安全操控。
6. 螺纹安装的配件必须符合磨光机的主轴螺纹。对于使用法兰安装的配件，附件的轴孔必须符合法兰的定位直径。与本电动工具的安装硬件不匹配的附件将失去平衡，振动过度并可能导致失控。
7. 请勿使用损坏的附件。在每次使用之前，请检查附件，如砂轮有无碎片和裂缝，垫片有无裂缝、破损或过度磨损，钢丝刷有无松动或断裂的钢丝。如果工具或附件掉落，请检查有无损坏或重新安装一个未损坏的附件。检查和安装了附件之后，请使旁观者以及您自己远离旋转的附件，并以最大空载速度运行工具一分钟。损坏的附件通常会在此测试期间破裂。

8. 请穿戴个人劳防用品。根据应用情况，请使用面罩、安全护目镜或安全眼镜。根据情况佩带可防止较小的砂磨碎片或工件碎片的防尘面罩、耳罩、手套和车间用的围裙。护目镜必须具备可以防止多种操作所产生的飞溅的碎片伤害到您的能力。防尘面罩或呼吸器必须具备可过滤操作中产生的微粒的能力。长时间的高强度噪音可能会损伤您的听力。
9. 使旁观者远离工作区域，保持一定的安全距离。所有进入工作区域的人员必须穿戴个人劳防用品。工件的碎片或破损的附件可能会飞溅到操作区域以外并导致人身伤害。
10. 当进行作业时切割工具可能会接触到隐藏的电线，请仅握住电动工具的绝缘抓握表面。接触到“带电”的电线时，工具上曝露的金属部分也会“带电”，并使操作者触电。
11. 在附件完全停止之前切勿将工具放下。旋转附件可能会碰撞地面或工作台面而导致工具失控。
12. 您身边携带电动工具时请勿运行工具。防止因不小心接触到旋转附件而导致衣物被卷入，甚至伤及身体。
13. 请定期清洁工具的通风口。电机的风扇会将灰尘带入外壳，过多的金属粉末累积会导致电气危害。
14. 请勿在可燃物附近运行电动工具。火花可能会点燃这些物品。
15. 请勿使用需要冷却液的附件。使用水或其他冷却液可能会导致触电或死亡。

反弹和相关警告

反弹是正在旋转的砂轮、垫片、钢丝刷或其他配件卡滞或卡滞时突然产生的反作用力。卡滞会导致旋转配件的快速停止，从而导致在卡滞点处对失控的工具产生与配件旋转方向相反的作用力。

例如，如果工件使得砂轮卡滞，则进入卡滞点的砂轮边缘将进入工件材料的表面，导致砂轮跳出或弹出。根据砂轮在卡滞点的运动方向，砂轮可能会跳向或远离操作者。在这种情况下，砂轮也可能会破裂。

电动工具误操作和 / 或不正确的操作步骤或操作条件将导致反弹，遵守以下所述的注意事项即可避免。

1. 请牢固紧握电动工具的把手，调整身体和手臂位置以防止反弹力。如果提供了辅助手柄，请务必使用，以在启动时最大程度地控制反弹或转矩反作用力。如果正确遵守注意事项，操作者可控制转矩反作用力或反弹力。
2. 切勿将手靠近旋转的附件。附件可能会反弹到您手上。
3. 请勿置身于发生反弹时电动工具可能移动的区域。反弹会在卡滞点处以与砂轮运动方向相反的力作用于砂轮。
4. 当处理边角、锐利的边缘等处时请特别小心。避免使附件跳跃和卡滞。边角、锐利的边缘或附件发生跳跃可能会使旋转的附件被钩住并导致工具失控或反弹。
5. 请勿安装锯齿木雕锯片或齿状锯片。这些锯片会发生频繁的反弹并导致工具失控。

专用于磨削和砂轮切割操作的安全警告：

1. 请仅使用被推荐用于您的电动工具的砂轮以及专用于所选砂轮的砂轮罩。非专用于本电动工具的砂轮无法得到足够的防护并无法保证安全。
2. 锥形砂轮的砂磨表面必须安装在砂轮罩边缘的平面之下。突出于砂轮罩边缘平面的安装不当的砂轮将不能得到充分的保护。
3. 砂轮罩必须牢固安装到电动工具上并放置在最为安全的位置，使得砂轮外露的部分尽可能地少。砂轮罩可防止操作者被砂轮碎片划伤或意外接触到砂轮和可能会点燃衣物的火星。
4. 仅可将砂轮用于推荐的应用情况。例如：请勿用切割砂轮的侧面进行磨削。切割砂轮用于进行外围磨削，对这些砂轮应用侧面可能会导致其破碎。
5. 请务必使用未损坏的砂轮法兰，尺寸和外形应符合您所选的砂轮。正确的砂轮法兰可减少砂轮破裂的危险。切割砂轮的法兰可能与磨削砂轮法兰有所不同。
6. 请勿使用从更大的电动工具上拆下来的已磨损的砂轮。用于大型电动工具的砂轮不适合小型工具的高速操作，可能会爆裂。

专用于砂轮切割操作的附加安全警告：

1. 请勿“挤压”切割砂轮或对其过度施压。请勿试图切割过深。对砂轮过度施压会使负荷增加，使砂轮在切割时易于扭曲或卡滞，也使发生反弹或砂轮破裂的可能性增大。
2. 请勿与旋转的砂轮成一直线站立或站在其后面。如果操作时砂轮的移动方向为远离您，如果此时发生反弹，则可能会迫使旋转的砂轮直接指向您。
3. 当砂轮卡滞或因任何原因中断切割操作时，请关闭电动工具并将工具保持不动，直至砂轮完全停止。当砂轮还在运动中时，切勿试图将切割砂轮从工件中取出，否则可能会造成反弹。研究并采取正确的措施以避免砂轮卡滞。
4. 请勿在工件中重新启动切割操作。请等到砂轮到达全速后再小心地重新进行切割。如果电动工具在工件中重新启动，则砂轮可能会卡滞、移动或反弹。
5. 请支撑面板或其他大型工件以最大限度地降低砂轮卡滞和反弹的可能。大型工件会因自身的重量而下陷。必须在工件下面靠近切割线和砂轮两侧工件边缘放置支撑件。
6. 当在墙壁或其他盲区进行“袖珍切割”时请尤其小心。凸出的砂轮可能会切割到气管或水管、电线或其他物体，从而导致反弹。

专用于砂磨操作的安全警告：

1. 请勿使用尺寸过大的砂纸。选择砂纸时请遵照制造商的推荐。大于砂盘的砂纸会有破裂的危险并可能导致砂轮片的卡滞、破裂或反弹。

专用于钢丝刷操作的安全警告：

1. 即使在正常操作时 also 请小心钢丝刷的钢毛飞出。请勿使钢丝刷过载导致钢丝过压。钢毛很容易穿透轻薄的衣服和 / 或皮肤。
2. 如果建议为钢丝刷配备护罩，请勿使其影响到钢丝轮或在带有护罩的情况下使用钢丝刷。根据工作负荷和离心力作用，钢丝轮或钢丝刷在直径上可能会有所伸展。

附加安全警告：

1. 当使用锥形砂轮时，请务必且仅可使用玻璃钢砂轮。
2. 使用本磨光机时切勿使用机碗形砂轮。此类砂轮不适用于本磨光机，强行使用可能会导致严重的人身伤害。

3. 请小心勿损坏主轴、法兰（尤其是安装表面）或锁紧螺母。这些部件损坏可能会导致砂轮破裂。
4. 打开开关前，请确认砂轮未与工件接触。
5. 在实际的工件上使用工具之前，请先让工具空转片刻。请注意，振动或摇摆可能表示安装不当或砂轮不平衡。
6. 请使用砂轮的指定表面来执行磨削。
7. 运行中的工具不可离手放置。只可在手握工具的情况下操作工具。
8. 操作之后，请勿立刻触摸工件，因为它可能会非常烫，导致烫伤皮肤。
9. 请遵照制造商的说明进行正确安装和使用砂轮。请小心处理和存放砂轮。
10. 请勿使用分离式卸套或适配器来适配大孔砂轮。
11. 请仅使用本工具指定的法兰。
12. 对于要安装螺纹孔砂轮的工具，请确保砂轮中的螺纹足够长，可配合主轴的长度。
13. 检查并确认工件被正确支撑。
14. 请注意，关闭工具之后，砂轮还会继续旋转。
15. 如果工作场所非常热并且潮湿，或者被导电灰尘严重污染，请使用短路断路器（30 mA）以保障操作者的人身安全。
16. 请勿在任何含有石棉的材料上使用本工具。
17. 当使用切割砂轮时，请务必同时使用国内法规规定的集尘砂轮罩。
18. 切割盘不得受到任何侧向的压力。
19. 操作时请勿使用布质工作手套。布质手套的纤维可能会进入工具，导致工具破裂。
4. 如果电解液进入您的眼睛，用清水将其冲洗干净并立即就医。否则可能会导致视力受损。
5. 请勿使电池组短路：
 - (1) 请勿使任何导电材料碰到端子。
 - (2) 避免将电池组与其他金属物品如钉子、硬币等放置在同一容器内。
 - (3) 请勿将电池组置于水中或使其淋雨。电池短路将产生大的电流，导致过热，并可能导致起火甚至击穿。
6. 请勿将工具和电池组置于温度可能达到或超过50 °C (122 °F) 的场所。
7. 即使电池组已经严重损坏或完全磨损，也请勿焚烧电池组。电池组会在火中爆炸。
8. 请小心，勿撞击电池或使其掉落。
9. 请勿使用损坏的电池。
10. 本工具附带的锂离子电池需符合危险品法规要求。
 第三方或转运代理等进行商业运输时，应遵循包装和标识方面的特殊要求。有关运输项目的准备作业，咨询危险品方面的专业人士。同时，请遵守可能更为详尽的国家法规。
 请使用胶带保护且勿遮掩表面的联络信息，并牢固封装电池，使电池在包装内不可动。
11. 丢弃电池组时，需将其从工具上卸下并在安全地带进行处理。关于如何处理废弃的电池，请遵循当地法规。
12. 仅将电池用于Makita（牧田）指定的产品。将电池安装至不兼容的产品会导致起火、过热、爆炸或电解液泄漏。
13. 如长时间未使用工具，必须将电池从工具内取出。

请保留此说明书。

警告： 请勿为图方便或因对产品足够熟悉（由于重复使用而获得的经验）而不严格遵循相关产品安全规则。使用不当或不遵循使用说明书中的安全规则会导致严重的人身伤害。

电池组的重要安全注意事项

1. 在使用电池组之前，请仔细通读所有的说明以及（1）电池充电器，（2）电池，以及（3）使用电池的产品上的警告标记。
2. 请勿拆解电池组。
3. 如果机器运行时间变得过短，请立即停止使用。否则可能会导致过热、起火甚至爆炸。

请保留此说明书。

小心： 请仅使用Makita（牧田）原装电池。使用非Makita（牧田）原装电池或经过改装的电池可能会导致电池爆炸，从而造成火灾、人身伤害或物品受损。同时也会导致牧田工具和充电器的牧田保修服务失效。

保持电池最大使用寿命的提示

1. 在电池组电量完全耗尽前及时充电。发现工具电量低时，请停止工具操作，并给电池组充电。
2. 请勿对已充满电的电池组重新充电。过度充电将缩短电池的使用寿命。

- 请在10 °C - 40 °C (50 °F - 104 °F) 的室温条件下给电池组充电。请在灼热的电池组冷却后再充电。
- 如果电池组长时间 (超过六个月) 未使用, 请给其充电。


无线装置的重要安全注意事项

- 切勿拆卸或改装此无线装置。
- 请远离儿童存放无线装置。如果意外吞食, 请立即就医。
- 此无线装置仅用于Makita (牧田) 电动工具。
- 请勿将此无线装置暴露在雨水或潮湿的环境中。
- 请勿在温度超过50°C的环境下使用此无线装置。
- 请勿在医疗器械 (例如心脏起搏器) 附近运行此无线装置。
- 请勿在自动化设备附近运行此无线装置。否则, 自动化设备可能会发生故障或出现错误。
- 不要在高温场所或可能产生静电或电气噪音的场所操作无线装置。
- 无线装置会产生对用户无害的电磁场 (EMF)。
- 此无线装置属于精密仪器。请小心, 勿掉落或撞击此无线装置。
- 避免徒手或用金属材料接触无线装置的端子。
- 在产品中安装无线装置时, 务必取下产品上的电池。
- 请勿在那些可能会使灰尘和水进入插槽的地方打开插槽的封盖。插槽的插口务必保持干净整洁。
- 务必沿正确的方向插入无线装置。
- 请勿过度用力按压无线装置上的无线启动按钮, 也不可使用边缘锋利的物体按压该按钮。
- 运行此无线装置时务必关闭插槽的封盖。
- 切勿在工具正在通电的情况下从插槽取下无线装置。否则可能会导致此无线装置发生故障。
- 切勿揭下此无线装置上的贴纸。
- 切勿在此无线装置上粘贴任何贴纸。
- 切勿将此无线装置留在可能会产生静电或电气噪音的地方。
- 切勿将此无线装置留在可能会产生高温的地方, 例如阳光照射下的车内。


- 切勿将此无线装置留在灰尘或粉尘较重的地方, 或可能会产生腐蚀性气体的地方。
- 温度的剧烈变化可能会使此无线装置产生凝露。露水未完全干燥前, 请勿使用此无线装置。
- 清洁此无线装置时, 请使用柔软的干抹布轻轻擦拭。切勿使用汽油、稀释剂或导电脂等类似物品。
- 存放此无线装置时, 请将其放在随附的盒中或防静电的容器中。
- 请勿将非Makita (牧田) 无线装置的任何其它设备插入工具的插槽中。
- 如果插槽的封盖受损, 请勿使用该工具。否则水、灰尘和泥土进入插槽可能会导致故障。
- 如非必要, 请勿拉动和 / 或扭动插槽的封盖。如果封盖从工具脱落, 请将其还原。
- 如果插槽的封盖丢失或受损, 请更换。


请保留此说明书。

功能描述

 **小心:** 调节或检查工具功能之前, 请务必关闭工具的电源并取出电池组。

安装或拆卸电池组


 **小心:** 安装或拆卸电池组之前, 请务必关闭工具电源。


 **小心:** 安装或拆卸电池组时请握紧工具和电池组。否则它们可能从您的手中滑落, 导致工具和电池组受损, 甚至造成人身伤害。

► 图片1: 1. 红色指示灯 2. 按钮 3. 电池组

拆卸电池组时, 按下电池组前侧的按钮, 同时将电池组从工具中抽出。

安装电池组时, 要将电池组上的舌簧与外罩上的凹槽对齐, 然后推滑到位。将其完全插入到位, 直到电池组被锁定并发出卡嗒声为止。如果插入后仍能看到按钮上侧的红色指示灯, 则说明电池组未完全锁紧。

 **小心:** 务必完全装入电池组, 直至看不见红色指示灯。否则它可能会意外从工具中脱落, 从而造成自身或他人受伤。












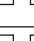
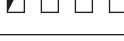

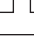
 **小心:** 请勿强行安装电池组。如果电池组难以插入, 可能是插入方法不当。

显示电池的剩余电量

仅限带指示灯的电池组

► 图片2: 1. 指示灯 2. CHECK (查看) 按钮

按电池组上的CHECK (查看) 按钮可显示电池剩余电量。指示灯将亮起数秒。

指示灯			剩余电量
 点亮	 熄灭	 闪烁	
			75%至100%
			50%至75%
			25%至50%
			0%至25%
			给电池充电。
	 ↑ ↓ 		电池可能出现故障。

注：在不同的使用条件及环境温度下，指示灯所示电量可能与实际情况略有不同。








显示电池的剩余电量

规格因国家而异

当打开工具时，电池指示灯显示电池的剩余电量。

► 图片3: 1. 电池指示灯

电池剩余电量的显示如下表所示。

电池指示灯状态			剩余的电池电量
 亮起	 熄灭	 闪烁	
			50%至100%
			20%至50%
			0%至20%
			给电池充电

工具 / 电池保护系统




本工具配备有工具 / 电池保护系统。该系统可自动切断电机电源以延长工具和电池寿命。作业时，如果工具或电池处于以下情况，工具将会自动停止运转。

过载保护

以导致异常高电流的方式操作工具时，工具会自动停止运转，指示灯不闪烁。在这种情况下，请关闭工具并停止导致工具过载的应用操作。然后开启工具重新启动。

过热保护

工具过热时，工具将自动停止运转且电池指示灯显示以下状态。在这种情况下，请等待工具冷却后再开启工具。

 亮起	 闪烁
	

如果无法启动工具，则电池可能过热。在这种情况下，请待电池冷却后再启动工具。

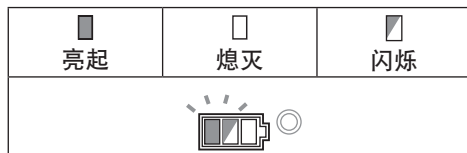
过放电保护

电池电量不足时，本工具自动停止运转。此时，请取出工具中的电池并予以充电。

释放保护锁

当保护系统频繁工作时，工具将被锁定，电池指示灯显示以下状态。

在这种情况下，即使关闭工具然后再打开也无法启动工具。要释放保护锁，请拆下电池，将其安装至电池充电器上并等待充电完成。



轴锁

安装或拆卸附件时，按下轴锁，防止主轴旋转。

► 图片4：1. 轴锁

注意：切勿在主轴进行转动时启用轴锁。否则可能会损坏工具。

开关操作

小心：在将电池组安装至工具之前，请务必检查开关柄是否能扣动自如，松开时能否退回至“OFF”（关闭）位置。

小心：为了您的安全，本工具配备了锁定杆，可防止工具误启动。如果在仅扣动开关扳机而并未按下锁定杆的情况下，工具也会开始运行，则切勿使用此工具。在进一步使用该工具之前，请将其送至授权的维修中心进行正确的修理。

小心：在没有按下锁定杆的情况下，请勿用力扣动开关柄。这样可能导致开关破损。

小心：切勿封住锁定杆或废除其用途和功能。

为避免使用者不小心挤按到开关柄，本工具采用了锁定杆。

要启动工具，请向操作者所处方向拉锁定杆，然后扣动开关柄。

要停止工具，请松开开关柄。

► 图片5：1. 锁定杆 2. 开关柄

转速调节刻度盘

可通过旋转转速调节刻度盘来改变工具的旋转速度。下表显示了刻度盘上的数字和对应的旋转速度。

► 图片6：1. 转速调节刻度盘

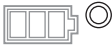

数值	速度
1	3,000 r/min
2	4,500 r/min
3	6,000 r/min
4	7,500 r/min
5	8,500 r/min

注意：如果工具长时间以低速持续操作，则电机可能会过载，导致工具出现故障。

注意：从“5”向“1”更改转速刻度盘时，请逆时针转动刻度盘。切勿强行顺时针转动刻度盘。

自动变速功能

► 图片7：1. 模式指示灯

模式指示灯状态	操作模式
	高速模式
	高转矩模式

本工具设有“高速模式”和“高转矩模式”。它将根据工作负荷自动变换操作模式。如果模式指示灯在工具操作期间亮起，则工具处于高转矩模式。

防止意外重启功能

即使在安装电池组的情况下扣动开关柄，也无法启动工具。

要启动工具，请先松开开关柄。然后扣动锁定杆，再扣动开关柄。

电子转矩控制功能

本工具可以电子方式检测砂轮或附件可能会有卡滞风险的情况。在这种情况下，本工具会自动切断电源以防止主轴继续旋转（无法防止反弹）。

要重新启动工具，请先关闭工具，排除旋转速度突然下降的原因，然后再启动工具。

软启动功能

软启动功能可抑制启动时的阻力。

电动制动器

在关闭工具开关后，电动制动器启用。
在切断电源（如意外取出电池）但不关闭工具开关的情况下，该制动器不工作。

装配

⚠小心： 调节或检查工具功能之前，请务必关闭工具的电源并取出电池组。

安装侧把手（手柄）

⚠小心： 在进行操作之前，请务必将侧柄牢固地安装在工具上。

在如图所示的工具位置上拧紧侧把手。

► 图片8

安装或拆卸砂轮罩（用于钹形砂轮、干叶片、弹性砂轮片、钢丝轮刷/切割砂轮、金钢石砂轮）

⚠警告： 当使用钹形砂轮、干叶片、弹性砂轮片或钢丝轮刷时，必须将砂轮罩安装到工具上，确保砂轮罩的封闭侧始终朝向操作者所在位置。

⚠警告： 使用切割砂轮/金刚石砂轮时，请务必仅使用专用于切割砂轮的砂轮罩。

（一些欧洲国家允许在使用金刚石砂轮时使用普通砂轮罩。请遵循当地法规。）

对于带锁定螺丝型砂轮罩的工具

安装砂轮罩时，将砂轮罩环上的凸缘片对准轴承箱上的槽口。然后根据工件的情况，旋转砂轮罩至可以保护操作者的角度。确保已将螺丝拧紧。

拆下砂轮罩时，按与安装步骤相反的顺序进行。

► 图片9: 1. 砂轮罩 2. 轴承箱 3. 螺丝

对于带夹杆型砂轮罩的工具

拧松螺丝，然后沿箭头方向拉杆。安装砂轮罩时，将砂轮罩环上的凸缘片对准轴承箱上的槽口。然后根据工件的情况，旋转砂轮罩至可以保护操作者的角度。

► 图片10: 1. 砂轮罩 2. 轴承箱 3. 螺丝 4. 杆

按箭头方向用力拉杆。然后拧紧螺丝以紧固砂轮罩。确保已将螺丝拧紧。砂轮罩的放置角度可通过杆来调节。

► 图片11: 1. 螺丝 2. 杆

拆下砂轮罩时，按与安装步骤相反的顺序进行。

安装或拆下钹形砂轮或干叶片

选购附件

⚠警告： 当使用钹形砂轮或干叶片时，必须将砂轮罩安装到工具上，确保砂轮罩的封闭侧始终朝向操作者所在位置。

⚠小心： 确保将内法兰盘的安装部件完美地装配至钹形砂轮/干叶片的内直径。将内法兰盘安装至错误的一侧可能会导致危险的振动。

将内法兰盘安装到主轴上。

确保将内法兰盘的凹陷部分安装至主轴的竖直部分。

将钹形砂轮/干叶片安装至内法兰盘上，并用锁紧螺母将其与主轴固定。

► 图片12: 1. 锁紧螺母 2. 钹形砂轮 3. 内法兰盘 4. 安装部件

拧紧锁紧螺母时，需用力按住轴锁以防主轴转动，然后用锁紧螺母扳手按顺时针拧紧。

► 图片13: 1. 锁紧螺母扳手 2. 轴锁

拆下砂轮时，按与安装步骤相反顺序进行。

安装或拆卸弹性砂轮片

选购附件

⚠警告： 当工具上装有弹性砂轮片时，请务必使用提供的砂轮罩。在使用中砂轮可能会碎裂，砂轮罩可降低人身伤害的危险。

► 图片14: 1. 锁紧螺母 2. 弹性砂轮片 3. 支撑垫 4. 内法兰盘

遵循指示操作钹形砂轮，并在砂轮上使用支撑垫。有关组装顺序请参阅本说明书关于附件的说明页。

安装或拆卸砂轮片

选购附件

注：请使用本手册中指定的砂光机配件。这些配件需要另行购买。

用于100 mm型号

► **图片15：** 1. 砂磨用锁紧螺母 2. 砂轮片
3. 橡胶垫 4. 内法兰盘

1. 将内法兰盘安装到主轴上。
2. 在主轴上安装橡胶垫。
3. 将砂轮片安装在橡胶垫上并将砂磨用锁紧螺母紧固在主轴上。
4. 使用轴锁固定主轴，并使用锁紧螺母扳手顺时针牢固拧紧砂磨用锁紧螺母。

要拆下砂轮片时，请按与安装时相反的步骤进行。

用于115 mm / 125 mm型号

► **图片16：** 1. 砂磨用锁紧螺母 2. 砂轮片
3. 橡胶垫

1. 在主轴上安装橡胶垫。
2. 将砂轮片安装在橡胶垫上并将砂磨用锁紧螺母紧固在主轴上。
3. 使用轴锁固定主轴，并使用锁紧螺母扳手顺时针牢固拧紧砂磨用锁紧螺母。

要拆下砂轮片时，请按与安装时相反的步骤进行。

连接吸尘器

选购附件

警告：切勿吸取磨削 / 切割 / 打磨操作产生的金属微粒。此类操作产生的金属微粒温度很高，会引燃集尘器里面的灰尘和过滤器。

为避免砖石切削导致多尘环境，请使用集尘式砂轮罩和集尘器。

关于集尘式砂轮罩的装配和使用，请参考集尘式砂轮罩随附的使用说明书。

► **图片17：** 1. 集尘式砂轮罩 2. 集尘器软管

操作

警告：操作工具时切勿过度用力。工具的重量可施加足够的压力。施加过度的压力会导致砂轮破碎的危险。

警告：如果在磨削时工具跌落，一定要更换砂轮。

警告：切勿用磨盘或砂轮敲击工件。

警告：在进行角部或锐边等部分的加工作业时应避免发生砂轮弹跳和受阻现象，以防砂轮失控而反弹。

警告：本工具严禁使用锯木锯片和其他锯片。在磨光机上使用时，这些锯片经常会反冲，并使工具失去控制导致人身伤害。

小心：切勿在工具与工件接触的情况下接通工具电源，这样会导致操作者受伤。

小心：操作时请务必佩戴护目镜或口罩。

小心：操作完毕后，请务必关闭工具，等到砂轮完全停止转动后再把工具放下。

小心：请务必用一只手握持工具外壳，另一只手握持侧把手（手柄）上将工具握紧。

磨削和砂磨操作

► **图片18**

打开工具开关，然后使用砂轮或砂轮片加工工件。

通常，砂轮或圆盘边缘应保持与工件表面成15°角度。

在新砂轮的磨合期，不要沿正向操作砂轮，否则砂轮会切入工件内。当砂轮边缘经过使用被磨圆后，即可按正向或反向任意操作砂轮。

切割砂轮 / 金刚石砂轮的操作

选购附件

警告： 使用切割砂轮 / 金刚石砂轮时，请务必仅使用专用于切割砂轮的砂轮罩。

（一些欧洲国家允许在使用金刚石砂轮时使用普通砂轮罩。请遵循当地法规。）

警告： 切勿使用切割砂轮进行侧面磨削。

警告： 请勿“挤压”砂轮或对其过度施压。请勿试图切割过深。对砂轮过度施压会使负载增加，使砂轮在切割时易于扭曲或卡滞，也使发生反弹或砂轮破损的可能性增大，可能会导致砂轮破损和电机过热。

警告： 请勿在工件中启动切割操作。请让砂轮达到全速时再小心地将其插入切割工件的表面。如果电动工具在工件中启动，则砂轮可能会卡滞、移动或反弹。

警告： 在切割操作时，切勿改变砂轮的角度。对切割砂轮施以侧压（磨削操作中）将导致砂轮裂开和破损，从而导致严重的人身伤害。

警告： 操作时，金刚石砂轮应与被切割材料相垂直。

► **图片19:** 1. 锁紧螺母 2. 切割砂轮 / 金刚石砂轮 3. 内法兰盘 4. 切割砂轮 / 金刚石砂轮用砂轮罩

安装时，请遵循锥形砂轮的操作指示。安装锁紧螺母和内法兰盘的方向因砂轮类型和厚度而异。请参阅下图。

用于100 mm型号

安装切割砂轮时：

► **图片20:** 1. 锁紧螺母 2. 切割砂轮（厚度低于4 mm） 3. 切割砂轮（厚度为4 mm或以上） 4. 内法兰盘

安装金刚石砂轮时：

► **图片21:** 1. 锁紧螺母 2. 金刚石砂轮砂轮（厚度低于4 mm） 3. 金刚石砂轮（厚度为4 mm或以上） 4. 内法兰盘

用于115 mm / 125 mm型号

安装切割砂轮时：

► **图片22:** 1. 锁紧螺母 2. 切割砂轮（厚度低于4 mm） 3. 切割砂轮（厚度为4 mm或以上） 4. 内法兰盘

安装金刚石砂轮时：

► **图片23:** 1. 锁紧螺母 2. 金刚石砂轮砂轮（厚度低于4 mm） 3. 金刚石砂轮（厚度为4 mm或以上） 4. 内法兰盘

杯形钢丝刷的操作

选购附件

小心： 确保无人在钢丝刷前面或与其成直线站立时，在工具无负载的情况下运行工具来检查钢丝刷。

小心： 请勿使用损坏或失衡的钢丝刷。使用损坏的钢丝刷会增加因接触损坏的刷丝而导致的潜在危险。

► **图片24:** 1. 杯形钢丝刷

从工具上拆下电池组并将其倒置以便操作主轴。

拆下主轴上的所有附件。将杯形钢丝刷安装至主轴并用提供的扳手加以紧固。

注意： 避免施加过大的压力，否则会在钢丝刷的使用过程中导致钢丝弯折。从而造成过早破裂。

钢丝轮刷的操作

选购附件

小心： 确保在钢丝轮刷前面无人或与其成直线站立时，在工具无负载情况下运行工具来检查钢丝轮刷。

小心： 请勿使用损坏或失衡的钢丝轮刷。使用损坏的钢丝轮刷会增加因接触损坏的刷丝而导致的潜在危险。

小心： 务必将钢丝轮刷与砂轮罩一同使用，并确保砂轮直径适合砂轮罩。在使用中砂轮可能会碎裂，砂轮罩可降低人身伤害的危险。

► **图片25:** 1. 钢丝轮刷

从工具上拆下电池组并将其倒置以便操作主轴。

拆下主轴上的所有附件。将钢丝轮刷紧固在主轴上并使用扳手加以紧固。

注意：避免施加过大的压力，否则会在钢丝轮刷的使用过程中导致钢丝弯折。从而造成过早破裂。

无线启动功能

仅限DGA418/DGA468/DGA518

无线启动功能的作用

无线启动功能让操作更加干净舒适。将受支持的集尘器连接至工具，集尘器可随工具的开关操作自动运行。

► 图片26

要使用无线启动功能，请准备以下项目：

- 无线装置（选购附件）
- 支持无线启动功能的集尘器

无线启动功能设置的概况如下。详细步骤请参考各章节。

1. 安装无线装置
2. 集尘器的工具注册
3. 启动无线启动功能

安装无线装置

选购附件

小心：安装无线装置时，请将工具放置在平坦且稳固的表面上。

注意：安装无线装置前，请先清洁工具上的灰尘和泥土。如果灰尘和泥土进入无线装置的插槽，则可能会导致其发生故障。

注意：为避免静电导致故障发生，拿起无线装置前，请先触摸静电释放材料，例如工具的金属部分。

注意：安装无线装置时，务必确保沿正确方向插入无线装置，且将封盖完全关闭。

1. 如图所示打开工具的封盖。

► 图片27: 1. 封盖

2. 将无线装置插入插槽，然后关闭封盖。

插入无线装置时，请将凸起部分对齐插槽上的凹陷部分。

- #### ► 图片28: 1. 无线装置 2. 突起部分 3. 封盖 4. 凹陷部分

拆下无线装置时，请缓慢打开封盖。封盖后面的挂钩在拉起封盖时会钩住无线装置。

► 图片29: 1. 无线装置 2. 挂钩 3. 封盖

取下无线装置后，请将其放在随附的盒中或防静电的容器中。

注意：取下无线装置时，务必使用封盖后面的挂钩。如果挂钩未钩住无线装置，请完全关闭封盖，然后再缓慢打开。

集尘器的工具注册

注：进行工具注册需要支持无线启动功能的Makita（牧田）集尘器。

注：开始工具注册前，请先将无线装置安装至工具。

注：工具注册期间，请勿扣动开关扳机，或打开集尘器上的电源开关。

注：请参阅集尘器的使用说明书。

如果您希望集尘器可随工具的开关操作而启动，请预先完成工具注册。

1. 安装集尘器和工具的电池。
2. 将集尘器上的待机开关拧至“**AUTO**”（自动）位置。

► 图片30: 1. 待机开关

3. 按住集尘器上的无线启动按钮3秒，直至无线启动指示灯呈绿色闪烁。然后以相同的方式按工具上的无线启动按钮。

► 图片31: 1. 无线启动按钮 2. 无线启动指示灯

如果集尘器和工具成功闪烁，无线启动指示灯将呈绿色亮起2秒，然后开始呈蓝色闪烁。

注：无线启动指示灯在20秒后结束绿色闪烁。当集尘器上的无线启动指示灯闪烁时，按下工具上的无线启动按钮。如果无线启动指示灯未呈绿色闪烁，短按一下无线启动按钮，然后再次按住该按钮。

注：对一个集尘器执行两个或以上工具注册时，请逐个完成工具注册。

启动无线启动功能

注：请在无线启动前完成集尘器的工具注册。

注：请参阅集尘器的使用说明书。

将工具注册至集尘器后，集尘器会随着工具的开关操作自动运行。

1. 将无线装置安装至工具。
2. 将集尘器的软管连接至工具。
- ▶ **图片32**
3. 将集尘器上的待机开关拧至“**AUTO**”（自动）位置。
- ▶ **图片33：1.** 待机开关
4. 短按一下工具上的无线启动按钮。无线启动指示灯将呈蓝色闪烁。
- ▶ **图片34：1.** 无线启动按钮 **2.** 无线启动指示灯

5. 扣动工具的开关扳机。检查扣动开关扳机时集尘器是否运行。

要停用集尘器的无线启动功能，请按下工具上的无线启动按钮。

注：闲置2小时无操作后，工具上的无线启动指示灯会停止蓝色闪烁。此时，请将集尘器上的待机开关拧至“**AUTO**”（自动）位置，并再次按下工具上的无线启动按钮。

注：集尘器会延迟启动 / 停止。集尘器检测工具的开关操作会存在时滞。

注：无线装置的传送距离视位置和周边环境不同而异。

注：当一个集尘器被注册了两个或多个工具时，则即使您未扣动开关扳机，该集尘器也可能会因为其他用户正在使用无线启动功能而开始运行。

无线启动指示灯状态的说明

▶ **图片35：1.** 无线启动指示灯

无线启动指示灯显示无线启动功能的状态。关于指示灯状态的意义请参阅下表。

状态	无线启动指示灯			持续时间	说明
	颜色	 亮起	 闪烁		
待机	蓝色			2小时	集尘器的无线启动可用。2小时无操作后指示灯会自动熄灭。
				工具正在运行时。	集尘器的无线启动可用且工具正在运行。
工具注册	绿色			20秒	准备好进行工具注册。等待集尘器的注册。
				2秒	完成工具注册。无线启动指示灯将开始呈蓝色闪烁。
取消工具注册	红色			20秒	准备好取消工具注册。等待集尘器取消工具注册。
				2秒	完成取消工具注册。无线启动指示灯将开始呈蓝色闪烁。
其它	红色			3秒	向无线装置供电，且无线启动功能启动。
	熄灭	-		-	集尘器的无线启动不可用。

取消集尘器的工具注册

取消集尘器的工具注册时，请执行以下步骤。

1. 安装集尘器和工具的电池。
 2. 将集尘器上的待机开关拧至“**AUTO**”（自动）位置。
- **图片36:** 1. 待机开关

3. 按住集尘器上的无线启动按钮6秒。无线启动指示灯呈绿色闪烁，然后转为红色。然后以相同的方式按工具上的无线启动按钮。

► **图片37:** 1. 无线启动按钮 2. 无线启动指示灯

如果成功执行取消工具注册，无线启动指示灯将呈红色亮起2秒，然后开始呈蓝色闪烁。

注: 无线启动指示灯在20秒后结束红色闪烁。当集尘器上的无线启动指示灯闪烁时，按下工具上的无线启动按钮。如果无线启动指示灯未呈红色闪烁，短按一下无线启动按钮，然后再次按住该按钮。


无线启动功能的故障排除

请求维修前，请首先自行检查。如果您发现本手册中未作说明的问题，请勿拆解工具。而请联络Makita（牧田）授权维修服务中心，务必使用Makita（牧田）的替换部件进行修复。

异常状态	可能原因（故障）	纠正措施
无线启动指示灯未亮起 / 闪烁。	无线装置未安装至工具。 无线装置未正确安装至工具。	正确安装无线装置。
	无线装置的端子和 / 或插槽脏污。	轻轻擦掉无线装置上的灰尘并清洁插槽。
	未按工具上的无线启动按钮。	短按一下工具上的无线启动按钮。
	集尘器上的待机开关未拧至“ AUTO ”（自动）位置。	将集尘器上的待机开关拧至“ AUTO ”（自动）位置。
	未通电	接通工具和集尘器电源。
未成功完成工具注册 / 取消工具注册操作。	无线装置未安装至工具。 无线装置未正确安装至工具。	正确安装无线装置。
	无线装置的端子和 / 或插槽脏污。	轻轻擦掉无线装置上的灰尘并清洁插槽。
	集尘器上的待机开关未拧至“ AUTO ”（自动）位置。	将集尘器上的待机开关拧至“ AUTO ”（自动）位置。
	未通电	接通工具和集尘器电源。
	错误操作	短按一下无线启动按钮，并再次执行工具注册 / 取消工具注册操作步骤。
	工具和集尘器相隔较远（超出传送范围）。	缩短工具和集尘器之间的距离。它们之间的最大距离为约10 m，该距离视实际环境不同而异。
	完成工具注册 / 取消工具注册之前： -扣动了工具上的开关扳机； -打开了集尘器上的按钮。	短按一下无线启动按钮，并再次执行工具注册 / 取消工具注册操作步骤。
	工具或集尘器的工具注册步骤未完成。	同时对工具和集尘器执行工具注册步骤。
	其它设备的无线电干扰会产生高强度的无线电波。	使工具和集尘器远离Wi-Fi设备和微波炉等电器。

异常状态	可能原因（故障）	纠正措施
集尘器未随着工具的开 关操作而运行。	无线装置未安装至工具。 无线装置未正确安装至工具。	正确安装无线装置。
	无线装置的端子和 / 或插槽 脏污。	轻轻擦掉无线装置上的灰尘并清 洁插槽。
	未按工具上的无线启动按钮。	短按一下无线启动按钮，确保无 线启动指示灯呈蓝色闪烁。
	集尘器上的待机开关未拧 至“ AUTO ”（自动）位置。	将集尘器上的待机开关拧 至“ AUTO ”（自动）位置。
	集尘器可注册超过 10 个工具。	请再次执行工具注册。 如果集尘器注册的工具超过 10 个，则最先注册的工具会被自动 删除。
	集尘器删除了所有工具注册。	再次执行工具注册。
	未通电	接通工具和集尘器电源。
	工具和集尘器相隔较远（超出 传送范围）。	缩短工具和集尘器之间的距离。 它们之间的最大距离为约 10 m ， 该距离视实际环境不同而异。
	其它设备的无线电干扰会产生 高强度的无线电波。	使工具和集尘器远离 Wi-Fi 设备和 微波炉等电器。
未扣动开关扳机但集尘 器运行。	其他用户正在他们的工具上使 用该集尘器的无线启动功能。	关闭其它工具的无线启动功能或 取消其它工具的工具注册。

保养

 **小心：** 检查或保养工具之前，请务必关
闭工具电源并取出电池组。

注意： 切勿使用汽油、苯、稀释剂、酒精
或类似物品清洁工具。否则可能会导致工具
变色、变形或出现裂缝。

通风孔清洁

工具及其通风孔应保持清洁。定期清洁通风
口或在通风口开始被堵塞时进行清洁。

► **图片38：** 1. 排气孔 2. 进气孔

将防尘罩从通风孔上拆下并进行清洁，使空
气流通顺畅。

► **图片39：** 1. 防尘罩

注意： 当防尘罩中堵塞有灰尘或异物时请
将其清理干净。如果防尘罩堵塞时仍继续运
行工具，会导致工具受损。

选购附件

⚠小心： 这些附件或装置专用于本说明书所列的Makita（牧田）工具。如使用其他厂牌附件或装置，可能导致人身伤害。仅可将附件或装置用于规定目的。

如您需要了解更多关于这些选购附件的信息，请咨询当地的Makita（牧田）维修服务中心。

- Makita（牧田）原装电池和充电器
- 无线装置（用于带无线启动功能的机型）

► 图片40

-	100 mm型号	115 mm型号	125 mm型号
1	把手36		
2	砂轮罩（砂轮用）		
3	内法兰盘		
4	钹形砂轮 / 千叶片		
5	锁紧螺母		
6	支撑垫		
7	弹性砂轮片		
8	内法兰盘和橡胶垫76	橡胶垫100	橡胶垫115
9	砂轮片		
10	砂磨用锁紧螺母		
11	钢丝轮刷		
12	杯形钢丝刷		
13	砂轮罩（切割砂轮用）*1		
14	切割砂轮 / 金刚石砂轮		
15	集尘式砂轮罩		
-	锁紧螺母扳手		

注： *1 一些欧洲国家允许在使用金刚石砂轮时使用普通砂轮罩，而非覆盖砂轮两侧的专用砂轮罩。请遵循当地法规。

注： 本列表中的一些部件可能作为标准配件包含于工具包装内。它们可能因销往国家之不同而异。

SPEKIFIKASI

Model:	DGA417	DGA418
Diameter roda	100 mm (4")	
Ketebalan roda maks.	6,4 mm	
Ulir spindel	M10	
Kecepatan terukur (n)	8.500 min ⁻¹	
Panjang keseluruhan	382 mm	
Tegangan terukur	D.C. 18 V	
Berat bersih	2,2 - 2,9 kg	
Rem elektrik	✓	
Fungsi pengaktifan nirkabel	-	✓

Model:	DGA467	DGA468
Diameter roda	115 mm (4-1/2")	
Ketebalan roda maks.	7,2 mm	
Ulir spindel	M14 atau 5/8" (tergantung negara)	
Kecepatan terukur (n)	8.500 min ⁻¹	
Panjang keseluruhan	382 mm	
Tegangan terukur	D.C. 18 V	
Berat bersih	2,4 - 3,1 kg	
Rem elektrik	✓	
Fungsi pengaktifan nirkabel	-	✓

Model:	DGA517	DGA518
Diameter roda	125 mm (5")	
Ketebalan roda maks.	7,2 mm	
Ulir spindel	M14 atau 5/8" (tergantung negara)	
Kecepatan terukur (n)	8.500 min ⁻¹	
Panjang keseluruhan	382 mm	
Tegangan terukur	D.C. 18 V	
Berat bersih	2,4 - 3,1 kg	
Rem elektrik	✓	
Fungsi pengaktifan nirkabel	-	✓

- Karena kesinambungan program penelitian dan pengembangan kami, spesifikasi yang disebutkan di sini dapat berubah tanpa pemberitahuan.
- Spesifikasi dapat berbeda dari satu negara ke negara lainnya.
- Berat alat mungkin berbeda tergantung perangkat tambahan yang dipasang, termasuk kartrid baterai. Kombinasi alat terberat dan teringan, sesuai Prosedur EPTA 01/2014, ditunjukkan pada tabel.

Kartrid baterai yang dapat digunakan

BL1815N / BL1820 / BL1820B / BL1830 / BL1830B / BL1840 / BL1840B / BL1850 / BL1850B / BL1860B

- Beberapa kartrid baterai yang tercantum di atas mungkin tidak tersedia, tergantung wilayah tempat tinggal Anda.

⚠ PERINGATAN: Hanya gunakan kartrid baterai yang tercantum di atas. Penggunaan kartrid baterai lain dapat menimbulkan risiko cedera dan/atau kebakaran.

Simbol

Berikut ini adalah simbol-simbol yang digunakan pada peralatan ini. Pastikan Anda mengerti makna masing-masing simbol sebelum menggunakan alat.



Baca petunjuk penggunaan.



Gunakan kaca mata pengaman.



Ni-MH
Li-Ion

Hanya untuk negara-negara UE
Jangan membuang peralatan listrik atau paket baterai bersama-sama dengan bahan limbah rumah tangga!
Dengan memerhatikan Petunjuk Eropa, tentang Limbah Peralatan Listrik dan Elektronik serta Baterai dan Akumulator serta Limbah Baterai dan Akumulator dan pelaksanaannya sesuai dengan ketentuan hukum nasional, peralatan listrik dan baterai dan paket baterai yang telah habis umur pakainya harus dikumpulkan secara terpisah dan dikembalikan ke fasilitas daur ulang yang kompatibel secara lingkungan.

Penggunaan

Mesin ini dirancang untuk menggerinda, mengampelas dan memotong logam dan material batuan tanpa menggunakan air.

PERINGATAN KESELAMATAN

Peringatan keselamatan umum mesin listrik

⚠️ PERINGATAN: Bacalah semua peringatan keselamatan, petunjuk, ilustrasi dan spesifikasi yang disertakan bersama mesin listrik ini. Kelalaian untuk mematuhi semua petunjuk yang tercantum di bawah ini dapat menyebabkan sengatan listrik, kebakaran dan/atau cedera serius.

Simpanlah semua peringatan dan petunjuk untuk acuan di masa depan.

Istilah "mesin listrik" dalam semua peringatan mengacu pada mesin listrik yang dijalankan dengan sumber listrik jala-jala (berkabel) atau baterai (tanpa kabel).

Keselamatan tempat kerja

1. **Jaga tempat kerja selalu bersih dan berpenerangan cukup.** Tempat kerja yang berantakan dan gelap mengundang kecelakaan.

2. **Jangan gunakan mesin listrik dalam lingkungan yang mudah meledak, misalnya jika ada cairan, gas, atau debu yang mudah menyala.** Mesin listrik menimbulkan bunga api yang dapat menyala debu atau uap tersebut.
3. **Jauhkan anak-anak dan orang lain saat menggunakan mesin listrik.** Bila perhatian terpecah, anda dapat kehilangan kendali.

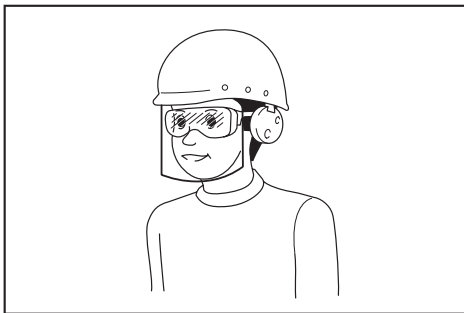
Keamanan Kelistrikan

1. **Steker mesin listrik harus cocok dengan stopkontak. Jangan sekali-kali mengubah steker dengan cara apa pun. Jangan menggunakan steker adaptor dengan mesin listrik terbumi (dibumikan).** Steker yang tidak diubah dan stopkontak yang cocok akan mengurangi risiko sengatan listrik.
2. **Hindari sentuhan tubuh dengan permukaan terbumi atau yang dibumikan seperti pipa, radiator, kompor, dan kulkas.** Risiko sengatan listrik bertambah jika tubuh Anda terbumikan atau dibumikan.
3. **Jangan membiarkan mesin listrik kehujanan atau kebasahan.** Air yang masuk ke dalam mesin listrik akan meningkatkan risiko sengatan listrik.
4. **Jangan menyalahgunakan kabel. Jangan sekali-kali menggunakan kabel untuk membawa, menarik, atau mencabut mesin listrik dari stopkontak. Jauhkan kabel dari panas, minyak, tepian tajam, atau bagian yang bergerak.** Kabel yang rusak atau kusut memperbesar risiko sengatan listrik.
5. **Bila menggunakan mesin listrik di luar ruangan, gunakan kabel ekstensi yang sesuai untuk penggunaan di luar ruangan.** Penggunaan kabel yang sesuai untuk penggunaan luar ruangan mengurangi risiko sengatan listrik.
6. **Jika mengoperasikan mesin listrik di lokasi lembap tidak terhindarkan, gunakan pasokan daya yang dilindungi peranti imbasan arus (residual current device - RCD).** Penggunaan RCD mengurangi risiko sengatan listrik.
7. **Mesin listrik dapat menghasilkan medan magnet (EMF) yang tidak berbahaya bagi pengguna.** Namun, pengguna alat pacu jantung atau peralatan medis sejenisnya harus berkonsultasi dengan produsen peralatan tersebut dan/atau dokter mereka sebelum mengoperasikan mesin listrik ini.

Keselamatan Diri

1. **Jaga kewaspadaan, perhatikan pekerjaan Anda dan gunakan akal sehat bila menggunakan mesin listrik. Jangan menggunakan mesin listrik saat Anda lelah atau di bawah pengaruh obat bius, alkohol, atau obat.** Sekejap saja lalai saat menggunakan mesin listrik dapat menyebabkan cedera badan serius.
2. **Gunakan alat pelindung diri. Selalu gunakan pelindung mata.** Peralatan pelindung seperti masker debu, sepatu pengaman anti-selip, helm pengaman, atau pelindung telinga yang digunakan untuk kondisi yang sesuai akan mengurangi risiko cedera badan.

3. **Cegah penyalan yang tidak disengaja.** Pastikan bahwa sakelar berada dalam posisi mati (off) sebelum menghubungkan mesin ke sumber daya dan/atau paket baterai, atau mengangkat atau membawanya. Membawa mesin listrik dengan jari Anda pada sakelarnya atau mengalirkan listrik pada mesin listrik yang sakelarnya hidup (on) akan mengundang kecelakaan.
4. **Lepaskan kunci-kunci penyetel sebelum menghidupkan mesin listrik.** Kunci-kunci yang masih terpasang pada bagian mesin listrik yang berputar dapat menyebabkan cedera.
5. **Jangan meraih terlalu jauh. Jagalah pijakan dan keseimbangan sepanjang waktu.** Hal ini memungkinkan kendali yang lebih baik atas mesin listrik dalam situasi yang tidak diharapkan.
6. **Kenakan pakaian yang memadai. Jangan memakai pakaian yang longgar atau perhiasan.** Jaga jarak antara rambut dan pakaian Anda dengan komponen mesin yang bergerak. Pakaian yang longgar, perhiasan, atau rambut yang panjang dapat tersangkut pada komponen yang bergerak.
7. **Jika tersedia fasilitas untuk menghisap dan mengumpulkan debu, pastikan fasilitas tersebut terhubung listrik dan digunakan dengan baik.** Penggunaan pembersih debu dapat mengurangi bahaya yang terkait dengan debu.
8. **Jangan sampai Anda lengah dan mengabaikan prinsip keselamatan mesin ini hanya karena sudah sering mengoperasikannya dan sudah merasa terbiasa.** Tindakan yang lalai dapat menyebabkan cedera berat dalam sepersekian detik saja.
9. **Selalu kenakan kacamata pelindung untuk melindungi mata dari cedera saat menggunakan mesin listrik.** Kacamata harus sesuai dengan ANSI Z87.1 di Amerika Serikat, EN 166 di Eropa, atau AS/NZS 1336 di Australia/Selandia Baru. Di Australia/Selandia Baru, secara hukum Anda juga diwajibkan mengenakan pelindung wajah untuk melindungi wajah Anda.



Menjadi tanggung jawab atasannya untuk menerapkan penggunaan alat pelindung keselamatan yang tepat bagi operator mesin dan orang lain yang berada di area kerja saat itu.

Penggunaan dan pemeliharaan mesin listrik

1. **Jangan memaksa mesin listrik. Gunakan mesin listrik yang tepat untuk keperluan Anda.** Mesin listrik yang tepat akan menuntaskan pekerjaan dengan lebih baik dan aman pada kecepatan sesuai rancangannya.
2. **Jangan gunakan mesin listrik jika sakelar tidak dapat menyalakan dan mematikannya.** Mesin listrik yang tidak dapat dikendalikan dengan sakelarnya adalah berbahaya dan harus diperbaiki.
3. **Cabut steker dari sumber listrik dan/atau lepas paket baterai, jika dapat dilepas, dari mesin listrik sebelum melakukan penyetelan apa pun, mengganti aksesoris, atau menyimpan mesin listrik.** Langkah keselamatan preventif tersebut mengurangi risiko hidupnya mesin secara tak sengaja.
4. **Simpan mesin listrik jauh dari jangkauan anak-anak dan jangan biarkan orang yang tidak paham mengenai mesin listrik tersebut atau petunjuk ini menggunakan mesin listrik.** Mesin listrik sangat berbahaya di tangan pengguna yang tak terlatih.
5. **Rawatlah mesin listrik dan aksesoris. Periksa apakah ada komponen bergerak yang tidak lurus atau macet, komponen yang pecah, dan kondisi-kondisi lain yang dapat memengaruhi pengoperasian mesin listrik. Jika rusak, perbaiki mesin listrik terlebih dahulu sebelum digunakan.** Banyak kecelakaan disebabkan oleh kurangnya pemeliharaan mesin listrik.
6. **Jaga agar mesin pemotong tetap tajam dan bersih.** Mesin pemotong yang terawat baik dengan mata pemotong yang tajam tidak mudah macet dan lebih mudah dikendalikan.
7. **Gunakan mesin listrik, aksesoris, dan mata mesin, dll. sesuai dengan petunjuk ini, dengan memperhitungkan kondisi kerja dan jenis pekerjaan yang dilakukan.** Penggunaan mesin listrik untuk penggunaan yang lain dari peruntukan dapat menimbulkan situasi berbahaya.
8. **Jagalah agar gagang dan permukaan pegangan tetap kering, bersih, dan bebas dari minyak dan pelumas.** Gagang dan permukaan pegangan yang licin tidak mendukung keamanan penanganan dan pengendalian mesin dalam situasi-situasi tak terduga.
9. **Ketika menggunakan mesin, jangan menggunakan sarung tangan kain yang dapat tersangkut.** Sarung tangan kain yang tersangkut pada komponen bergerak dapat mengakibatkan cedera pada pengguna.

Penggunaan dan pemeliharaan mesin bertenaga baterai

1. **Isi ulang baterai hanya dengan pengisi daya yang ditentukan oleh pabrikan.** Pengisi daya yang cocok untuk satu jenis paket baterai dapat menimbulkan risiko kebakaran ketika digunakan untuk paket baterai yang lain.
2. **Gunakan mesin listrik hanya dengan paket baterai yang telah ditentukan secara khusus.** Penggunaan paket baterai lain dapat menimbulkan risiko cedera dan kebakaran.

3. **Ketika paket baterai tidak digunakan, jauhkan dari benda logam lain, seperti penjepit kertas, uang logam, kunci, paku, sekrup atau benda logam kecil lainnya, yang dapat menghubungkan satu terminal ke terminal lain.** Hubungan singkat terminal baterai dapat menyebabkan luka bakar atau kebakaran.
4. **Pemakaian yang salah, dapat menyebabkan keluarnya cairan dari baterai; hindari kontak. Jika terjadi kontak secara tidak sengaja, bilas dengan air. Jika cairan mengenai mata, cari bantuan medis.** Cairan yang keluar dari baterai bisa menyebabkan iritasi atau luka bakar.
5. **Jangan menggunakan paket baterai atau mesin yang sudah rusak atau telah diubah.** Baterai yang rusak atau telah diubah dapat menyebabkan hal-hal yang tidak dapat diprediksi yang dapat menyebabkan kebakaran, ledakan atau risiko cedera.
6. **Jangan membiarkan paket baterai atau mesin dekat dengan api atau suhu yang berlebihan.** Paparan api atau suhu di atas 130 °C dapat menyebabkan ledakan.
7. **Ikuti semua petunjuk pengisian daya dan jangan mengisi daya paket baterai atau mesin di luar rentang suhu yang ditentukan di panduan.** Mengisi daya secara tidak tepat atau pada suhu di luar rentang yang ditentukan dapat merusak baterai dan meningkatkan risiko kebakaran.

Servis

1. **Berikan mesin listrik untuk diperbaiki hanya kepada oleh teknisi yang berkualifikasi dengan menggunakan hanya suku cadang pengganti yang serupa.** Hal ini akan menjamin terjaganya keamanan mesin listrik.
2. **Jangan pernah memperbaiki paket baterai yang sudah rusak.** Perbaikan paket baterai harus dilakukan hanya oleh produsen atau penyedia servis resmi.
3. **Patuhi petunjuk pelumasan dan penggantian aksesoris.**
4. **Jangan gunakan aksesoris yang tidak dirancang secara khusus dan dianjurkan oleh produsen mesin.** Hanya karena aksesoris tersebut dapat dipasang pada mesin listrik Anda, bukan berarti dapat menjamin keselamatan dalam pengoperasian.
5. **Kecepatan terukur pada aksesoris setidaknya harus sama dengan kecepatan maksimum yang tertera pada mesin listrik.** Aksesoris yang bekerja lebih cepat dari kecepatan terukurinya mungkin saja pecah dan terlempar.
6. **Diameter luar dan tebal aksesoris Anda harus berada dalam nilai kapasitas mesin listrik Anda.** Aksesoris dengan ukuran yang tidak tepat tidak dapat dilindungi atau dikendalikan secara memadai.
7. **Pemasangan aksesoris berulir harus sesuai dengan ulir spindel gerinda. Untuk aksesoris yang dipasang menggunakan flensa, lubang punjung pada aksesoris harus cocok dengan diameter tempat pemasangan pada flensa.** Aksesoris punjung yang tidak sesuai dengan perangkat keras pemasangan mesin listrik akan bekerja secara tidak seimbang, bergetar berlebihan dan dapat menyebabkan hilangnya kendali.
8. **Jangan menggunakan aksesoris yang sudah rusak.** Setiap kali sebelum digunakan, periksa apakah ada patahan dan retakan pada roda abrasif, apakah ada retakan, sobekan atau keausan pada bantalan belakang, serta apakah ada kawat yang longgar atau patah pada sikat kawat. Jika mesin listrik atau aksesoris jatuh, periksa apakah terjadi kerusakan, atau pasang aksesoris yang tidak rusak. Setelah memeriksa dan memasang aksesoris, posisikan diri Anda dan orang di sekitar jauh dari bidang aksesoris yang berputar dan jalankan mesin listrik pada kecepatan maksimum tanpa beban selama satu menit. Aksesoris yang rusak umumnya akan pecah selama waktu pengujian ini.
9. **Kenakan alat pelindung diri.** Tergantung pekerjaannya, gunakan pelindung muka, kaca mata pelindung atau kaca mata pengaman. Sesuai dengan pekerjaannya, kenakan masker debu, pelindung telinga, sarung tangan, dan apron bengkel yang mampu menahan debu gerinda atau serpihan benda kerja. Pelindung mata harus mampu menahan debu yang berhamburan, yang ditimbulkan dari berbagai jenis pekerjaan. Masker debu atau alat pernapasan harus mampu menyaring partikel yang dihasilkan dari pekerjaan Anda. Terpaan yang berkepanjangan terhadap kebisingan berintensitas tinggi dapat menyebabkan hilangnya pendengaran.

Peringatan keselamatan gerinda tanpa kabel

Peringatan Keselamatan yang Umum untuk Penggerindaan, Pengampelasan, Penyikatan dengan Sikat Kawat, atau Pengoperasian Pemotongan Abrasif:

1. **Mesin listrik ini dirancang untuk berfungsi sebagai gerinda, pengampelas, sikat kawat atau mesin pemotong.** Bacalah semua peringatan keselamatan, petunjuk, ilustrasi dan spesifikasi yang disertakan bersama mesin listrik ini. Kelalaian untuk mematuhi semua petunjuk yang tercantum di bawah ini dapat menyebabkan sengatan listrik, kebakaran dan/atau cedera serius.
2. **Tidak dianjurkan menggunakan mesin listrik ini untuk melakukan pekerjaan seperti memoles.** Pekerjaan yang tidak sesuai dengan spesifikasi mesin listrik ini dapat menimbulkan bahaya dan menyebabkan cedera pada pengguna.
3. **Jaga agar orang di sekitar berada dalam jarak aman yang jauh dari area kerja.** Siapa pun yang masuk ke area kerja harus mengenakan alat pelindung diri. Potongan benda kerja atau dari aksesoris yang rusak mungkin saja terlempar dan menyebabkan cedera di area yang langsung berdekatan dengan pekerjaan.

10. **Pegang mesin listrik hanya pada permukaan genggam yang terisolasi saat melakukan pekerjaan karena mesin pemotong mungkin saja bersentuhan dengan kabel tersebut.** Sentuhan kawat "hidup" dapat menyebabkan bagian logam pada mesin teraliri arus listrik dan menyengat pengguna.
11. **Jangan sekali-kali meletakkan mesin listrik sebelum aksesorinya benar-benar berhenti.** Aksesoris yang berputar dapat menyambar permukaan dan menarik mesin listrik di luar kendali Anda.
12. **Jangan menyalakan mesin listrik sambil membawanya di sisi badan Anda.** Sentuhan yang tidak disengaja oleh aksesoris yang berputar dapat merobek pakaian Anda, yang akan menarik aksesoris ke arah badan Anda.
13. **Bersihkan ventilasi udara mesin listrik secara rutin.** Kipas motor akan menarik debu ke dalam rumahannya, dan serbuk logam yang terkumpul secara berlebihan dapat menyebabkan bahaya listrik.
14. **Jangan mengoperasikan mesin listrik di dekat benda-benda yang mudah terbakar.** Percikan apinya dapat menyulut benda-benda tersebut.
15. **Jangan menggunakan aksesoris yang membutuhkan cairan pendingin.** Menggunakan air atau cairan pendingin lain dapat mengakibatkan kematian akibat sengatan listrik.

Hentikan balik dan Peringatan Terkait

Hentikan balik merupakan reaksi tiba-tiba akibat terjepit atau tersangkutnya roda yang berputar, bantalan belakang, sikat atau aksesoris lainnya. Kondisi terjepit atau tersangkut akan menyebabkan aksesoris yang berputar akan berhenti dengan cepat yang kemudian berubah mengakibatkan terdorongnya mesin listrik yang tak terkendali ke arah yang berlawanan dengan putaran aksesoris di titik tempat aksesoris tersebut terjepit.

Sebagai contoh, jika roda ampelas tersangkut atau terjepit oleh benda kerja, tepi roda yang masuk ke titik tempat roda tersebut terjepit bisa menggali permukaan bahan, yang menyebabkan roda tersebut menanjak atau menghentak. Roda mungkin saja melompat ke arah atau menjauhi operator, tergantung arah gerakan roda di titik tempat roda tersebut terjepit. Roda ampelas juga mungkin saja pecah karena kondisi tersebut. Hentikan balik merupakan akibat dari kesalahan cara penggunaan mesin listrik dan/atau prosedur atau kondisi pengoperasian yang salah, dan dapat dihindari dengan melakukan tindakan kewaspadaan yang tepat sebagaimana diuraikan di bawah ini.

1. **Pertahankan genggam yang kuat pada mesin listrik serta posisi badan dan lengan Anda sehingga Anda dapat menahan gaya hentikan balik. Selalu gunakan pegangan tambahan, bila tersedia, untuk mengendalikan hentikan balik atau reaksi torsi secara maksimum selama mesin mulai dihidupkan.** Jika tindakan kewaspadaan yang tepat dilakukan, operator dapat mengendalikan reaksi torsi atau gaya hentikan balik.
2. **Jangan sekali-kali memosisikan tangan Anda di dekat aksesoris yang berputar.** Aksesoris mungkin saja menghentak balik ke arah tangan Anda.

3. **Jangan memosisikan badan Anda di area tempat mesin listrik akan bergerak bila terjadi hentikan balik.** Hentikan balik akan memutar mesin dalam arah yang berlawanan dengan gerakan roda di titik tempat roda tersebut tersangkut.
4. **Sangat berhati-hatilah saat bekerja di area sudut, tepi yang tajam, dsb. Jaga agar aksesoris tidak memantul atau tersangkut.** Area sudut, tepi yang tajam, atau pantulan cenderung menyebabkan aksesoris yang berputar tersangkut dan menyebabkan kehilangan kendali atau timbulnya hentikan balik.
5. **Jangan memasang mata gergaji rantai atau mata gergaji bergerigi.** Mata mesin seperti ini menghasilkan hentikan balik secara berkali-kali dan menyebabkan kehilangan kendali.

Peringatan Keselamatan Khusus untuk Pekerjaan Penggerindaan dan Pengoperasian Pemotongan Abrasif:

1. **Gunakan hanya tipe roda yang dianjurkan untuk mesin listrik Anda dan pelindung khusus yang dirancang untuk roda yang Anda pilih.** Roda yang tidak sesuai dengan spesifikasi mesin listrik ini tidak dapat terlindungi secara memadai, dan karenanya tidak aman.
2. **Permukaan untuk penggerindaan pada roda tengah gerinda harus dipasang di bawah bidang pada tepi pelindung.** Roda yang tidak dipasang dengan benar sehingga menonjol pada bidang tepi pelindung tidak dapat benar-benar terlindungi.
3. **Pelindung harus terpasang dengan kencang pada mesin listrik dan diposisikan untuk pengamanan maksimal, sehingga bagian roda yang menghadap ke operator menjadi minimal.** Pelindung tersebut ikut melindungi operator dari potongan patahan roda, gesekan dengan roda dan percikan api yang dapat membakar pakaian.
4. **Roda harus digunakan hanya untuk penggunaan yang disarankan. Misalnya: jangan menggerinda dengan bagian samping roda pemotong.** Roda pemotong abrasif ditujukan untuk pekerjaan gerinda sisi luar; jika roda dikenai tenaga dari samping, roda ini mungkin saja pecah.
5. **Selalu gunakan flensa roda yang tidak rusak dengan ukuran dan bentuk yang tepat sesuai dengan roda yang Anda pilih.** Flensa roda yang tepat akan menopang roda sehingga mengurangi kemungkinan pecahnya roda. Flensa untuk roda pemotongan mungkin saja berbeda dengan flensa roda gerinda.
6. **Jangan gunakan roda dengan kinerja yang sudah rendah dari mesin listrik yang lebih besar.** Roda yang dirancang untuk mesin listrik yang lebih besar tidak cocok untuk digunakan pada alat yang lebih kecil dengan kecepatan yang lebih tinggi dan mungkin saja akan rusak.

Tambahan Peringatan Keselamatan Khusus untuk Pengoperasian Pemotongan Abrasif:

1. **Jangan membuat roda pemotong “macet” atau menekannya secara berlebihan. Jangan mencoba memotong terlalu dalam.** Menempatkan tekanan berlebihan pada roda akan meningkatkan beban dan dapat menyebabkan roda berputar atau terjepit pada potongan dan terdapat kemungkinan terjadi hentakan balik atau kerusakan roda.
2. **Jangan menempatkan diri Anda sejajar dan di belakang roda yang berputar.** Pada titik pengerjaan, saat roda bergerak menjauh dari Anda, hentakan balik dapat menggerakkan roda yang berputar dan mesin listrik ke arah Anda secara langsung.
3. **Ketika roda terjepit atau pemotongan terhenti karena alasan apa pun, matikan mesin listrik dan tahan hingga roda benar-benar berhenti. Jangan pernah mencoba melepas roda pemotong dari pekerjaan pemotongan saat roda bergerak, jika tidak, akan terjadi hentakan balik.** Periksa dan ambil tindakan perbaikan yang tepat untuk mengatasi penyebab macetnya roda.
4. **Jangan ulangi pemotongan pada benda kerja. Biarkan roda mencapai kecepatan penuh dan masukkan kembali dengan hati-hati pada potongan.** Roda mungkin saja terjepit, bergerak ke atas atau terjadi hentakan balik jika mesin listrik dinyalakan ulang pada benda kerja.
5. **Tahan panel atau benda kerja berukuran besar untuk meminimalkan risiko roda terjepit dan terjadi hentakan balik.** Benda kerja besar cenderung melengkung karena beratnya. Penunjang harus diletakkan di bawah benda kerja dekat garis pemotongan dan dekat ujung benda kerja pada kedua sisi roda.
6. **Berhati-hatilah saat melakukan “pemotongan saku” pada dinding atau area buta lain.** Roda yang mencuat dapat memotong pipa gas atau air, kabel listrik, atau objek lain yang dapat menyebabkan hentakan balik.

Peringatan Keselamatan Khusus untuk Pekerjaan Pengampelasan:

1. **Jangan menggunakan kertas cakram ampelas yang ukurannya terlalu besar. Ikuti rekomendasi pabrik saat memilih kertas ampelas.** Kertas ampelas yang lebih besar melebihi bantalan ampelas akan menimbulkan bahaya cedera dan bisa menyebabkan tersangkut, pecahnya cakram atau terjadinya hentakan balik.

Peringatan Keselamatan Khusus untuk Pengoperasian dengan Sikat Kawat:

1. **Berhati-hatilah, jangan sampai serpihan kawat terlepas dari sikat bahkan pada pengoperasian standar. Jangan terlalu keras menekan kawat dengan memberikan tekanan yang terlalu besar pada sikat.** Serpihan kawat dapat dengan mudah menembus pakaian yang tipis dan/atau kulit.

2. **Jika penggunaan pelindung direkomendasikan untuk sikat kawat, jangan sampai roda kawat atau sikat mengganggu kerja pelindung.** Roda kawat atau sikat dapat bertambah diameternya bergantung pada beban kerja dan gaya sentrifugal.

Peringatan Keselamatan Tambahan:

1. **Saat menggunakan roda gerinda tengah, pastikan bahwa Anda hanya menggunakan roda dengan fiberglass.**
2. **JANGAN PERNAH GUNAKAN roda berjenis Stone Cup dengan gerinda ini.** Gerinda ini tidak dirancang untuk tipe roda semacam ini dan jika digunakan, hal ini dapat mengakibatkan cedera serius pada penggunanya.
3. **Hati-hati jangan sampai merusak spindle, flensa (terutama permukaan pemasangan) atau mur kunci. Kerusakan pada bagian ini dapat mengakibatkan rusaknya roda.**
4. **Pastikan bahwa roda tidak menyentuh benda kerja sebelum sakelar dinyalakan.**
5. **Sebelum menggunakan mesin pada benda kerja yang sebenarnya, jalankan mesin sebentar. Waspada! getaran atau goyangan yang dapat menunjukkan lemahnya pemasangan atau roda yang kurang seimbang.**
6. **Gunakan permukaan roda yang sudah ditentukan untuk melakukan pengerindaan.**
7. **Jangan tinggalkan mesin dalam keadaan hidup. Jalankan mesin hanya ketika digenggam dengan tangan.**
8. **Jangan menyentuh benda kerja segera setelah pengoperasian; suhunya mungkin masih sangat panas dan dapat membakar kulit Anda.**
9. **Patuhi petunjuk produsen mengenai cara memasang dan menggunakan roda yang benar. Rawat dan simpan roda dengan cermat.**
10. **Jangan menggunakan bos atau adaptor pengurang yang terpisah untuk menyesuaikan roda dengan lubang abrasif berukuran besar.**
11. **Gunakan hanya flensa yang ditentukan untuk mesin ini.**
12. **Untuk mesin yang memang dirancang untuk roda lubang berulir, pastikan bahwa ulir dalam roda cukup panjang untuk menampung panjang spindle.**
13. **Periksa apakah benda kerja telah ditopang dengan baik.**
14. **Perhatikan bahwa roda terus berputar setelah mesin dimatikan.**
15. **Jika tempat kerja sangat panas dan lembap, sangat kotor oleh debu konduktif, gunakan pemutus daya (30 mA) untuk menjamin keselamatan operator.**
16. **Jangan menggunakan mesin pada bahan yang mengandung asbestos.**
17. **Roda pemotongan hendaknya selalu digunakan dengan pelindung roda pengumpul debu yang disyaratkan oleh undang-undang setempat.**
18. **Cakram pemotongan harus disesuaikan dengan tekanan lateral.**

19. **Jangan gunakan sarung tangan kerja kain selama pengoperasian.** Serat dari sarung tangan kain dapat masuk ke mesin dan mengakibatkan kerusakan.

SIMPAN PETUNJUK INI.

⚠️PERINGATAN: JANGAN biarkan kenyamanan atau terbiasanya Anda dengan produk (karena penggunaan berulang) mengurangi kepatuhan yang ketat terhadap aturan keselamatan untuk produk yang terkait. **PENYALAHGUNAAN** atau kelalaian mematuhi kaidah keselamatan yang tertera dalam petunjuk ini dapat menyebabkan cedera badan serius.

Petunjuk keselamatan penting untuk kartrid baterai

1. **Sebelum menggunakan kartrid baterai, bacalah semua petunjuk dan penandaan pada (1) pengisi daya baterai, (2) baterai, dan (3) produk yang menggunakan baterai.**
2. **Jangan membongkar kartrid baterai.**
3. **Jika waktu beroperasinya menjadi sangat singkat, segera hentikan penggunaan.** Hal tersebut dapat menimbulkan risiko panas berlebih, kemungkinan mengalami luka bakar atau bahkan terjadi ledakan.
4. **Jika elektrolit mengenai mata Anda, basuh dengan air bersih dan segera cari pertolongan medis.** Hal tersebut dapat mengakibatkan hilangnya kemampuan penglihatan Anda.
5. **Jangan menghubungkan terminal kartrid baterai:**
 - (1) **Jangan menyentuh terminal dengan bahan penghantar listrik apa pun.**
 - (2) **Hindari menyimpan kartrid baterai pada wadah yang berisi benda logam lain seperti paku, uang logam, dsb.**
 - (3) **Jangan membiarkan baterai terkena air atau keuhujan.**

Hubungan singkat baterai dapat menyebabkan aliran arus listrik yang besar, panas berlebih, kemungkinan mengalami luka bakar dan bahkan kerusakan pada baterai.
6. **Jangan menyimpan mesin dan kartrid baterai pada lokasi dengan suhu yang bisa mencapai atau melebihi 50 °C.**
7. **Jangan membuang kartrid baterai di tempat pembakaran sampah walaupun benar-benar rusak atau tidak bisa digunakan sama sekali.** Kartrid baterai bisa meledak jika terbakar.
8. **Berhati-hatilah jangan sampai baterai jatuh atau terbentur.**
9. **Jangan menggunakan baterai yang rusak.**

10. **Baterai litium-ion yang disertakan sesuai dengan persyaratan Perundangan Makanan Berbahaya.**

Harus ada pengawasan untuk pengangkutan komersial misalnya oleh pihak ketiga, ekspeditor, persyaratan khusus terhadap pengemasan dan pelabelan.

Diperlukan adanya konsultasi dengan ahli mengenai material berbahaya untuk persiapan barang yang akan dikirimkan. Perhatikan pula peraturan nasional yang lebih terperinci yang mungkin ada.

Beri perekat atau tutupi bagian yang terbuka dan kemasi baterai dengan cara yang tidak akan menimbulkan pergeseran dalam pengemasan.
11. **Ketika membuang kartrid baterai, lepaskan dari mesin dan buang ke tempat yang aman. Patuhi peraturan setempat yang berkaitan dengan pembuangan baterai.**
12. **Gunakan baterai hanya dengan produk yang ditentukan oleh Makita.** Memasang baterai pada produk yang tidak sesuai dapat menyebabkan kebakaran, kelebihan panas, ledakan, atau kebocoran elektrolit.
13. **Jika mesin tidak digunakan dalam jangka waktu yang lama, baterai harus dilepas dari mesin.**

SIMPAN PETUNJUK INI.

⚠️PERHATIAN: Gunakan baterai asli Makita. Penggunaan baterai Makita yang tidak asli, atau baterai yang sudah diubah, akan mengakibatkan baterai mudah terbakar, cedera dan kerusakan. Akan menghilangkan garansi Makita pada pengisi daya dan alat Makita.

Tip untuk menjaga agar umur pemakaian baterai maksimum

1. **Isi ulang kartrid baterai sebelum habis sama sekali.** Selalu hentikan penggunaan mesin dan ganti kartrid baterai jika Anda melihat bahwa mesin kurang tenaga.
2. **Jangan pernah mengisi ulang kartrid baterai yang sudah diisi penuh.** Pengisian ulang yang berlebih memperpendek umur pemakaian baterai.
3. **Isi ulang kartrid baterai pada suhu ruangan 10 °C - 40 °C.** Biarkan kartrid baterai yang panas menjadi dingin terlebih dahulu sebelum diisi ulang.
4. **Isi ulang daya kartrid baterai jika Anda tidak menggunakannya untuk jangka waktu yang lama (lebih dari enam bulan).**

Petunjuk keselamatan penting untuk unit nirkabel

1. **Jangan membongkar atau memodifikasi unit nirkabel.**
2. **Jauhkan unit nirkabel dari anak kecil.** Jika tidak sengaja tertelan, segera minta pertolongan medis.
3. **Gunakan unit nirkabel hanya dengan peralatan Makita.**

4. Pastikan unit nirkabel tidak keujanan atau basah.
5. Jangan menggunakan unit nirkabel di tempat-tempat yang bersuhu lebih dari 50°C.
6. Jangan menggunakan unit nirkabel di tempat-tempat yang dekat dengan peralatan medis, seperti alat pacu jantung.
7. Jangan menggunakan unit nirkabel di tempat-tempat yang dekat dengan perangkat otomatis. Jika tetap digunakan, perangkat otomatis dapat menjadi tidak berfungsi atau rusak.
8. Jangan mengoperasikan unit nirkabel di tempat-tempat yang bersuhu tinggi atau tempat-tempat yang dapat menghasilkan listrik statis atau gangguan listrik.
9. Unit nirkabel dapat menghasilkan medan magnet (EMF), tetapi medan magnet ini tidak berbahaya bagi pengguna.
10. Selalu lepaskan baterai dari produk ketika memasang unit nirkabel ke dalamnya.
13. Ketika membuka penutup celah hindari tempat yang dapat mengakibatkan debu dan air masuk ke dalam celah. Selalu jaga tempat masuk celah dalam keadaan bersih.
14. Selalu masukkan unit nirkabel dengan arah yang benar.
15. Jangan menekan tombol pengaktifan nirkabel pada unit nirkabel terlalu kuat dan/atau menekan tombol dengan benda berujung tajam.
16. Selalu tutup bagian penutup celah selama digunakan.
17. Jangan melepaskan unit nirkabel dari celah ketika daya sedang mengalir ke dalam mesin. Melakukan hal ini dapat menyebabkan kerusakan fungsi pada unit nirkabel.
18. Jangan melepaskan stiker pada unit nirkabel.
19. Jangan menempelkan stiker apa pun pada unit nirkabel.
20. Jangan meninggalkan unit nirkabel di tempat yang dapat menghasilkan listrik statis atau gangguan listrik.
21. Jangan meninggalkan unit nirkabel di tempat dengan panas tinggi seperti pada mobil di bawah sinar matahari langsung.
22. Jangan meninggalkan unit nirkabel di tempat berdebu atau berserbuk atau di tempat yang dapat menghasilkan gas yang bersifat korosif.
23. Perubahan suhu secara mendadak dapat mengakibatkan unit nirkabel menjadi berembun. Jangan menggunakan unit nirkabel hingga embun telah benar-benar kering.
24. Ketika membersihkan unit nirkabel, usap dengan hati-hati menggunakan kain lembut dan kering. Jangan menggunakan benzena, tiner, gemuk konduktif atau sejenisnya.
25. Ketika menyimpan unit nirkabel, simpan dalam kotak yang disediakan atau wadah bebas listrik statis.
26. Jangan memasukkan perangkat apa pun selain unit nirkabel Makita ke dalam celah pada mesin.
27. Jangan menggunakan mesin jika penutup celah rusak. Air, debu, dan kotoran yang masuk ke dalam celah dapat mengakibatkan malafungsi.
28. Jangan menarik dan/atau memutar penutup celah lebih dari yang diperlukan. Pasang ke tempatnya semula jika penutup terlepas dari mesin.
29. Ganti penutup celah jika hilang atau rusak.

SIMPAN PETUNJUK INI.

DESKRIPSI FUNGSI

PERHATIAN: Selalu pastikan bahwa mesin dimatikan dan kartrid baterai dilepas sebelum menyatel atau memeriksa kerja mesin.

Memasang atau melepas baterai

PERHATIAN: Selalu matikan mesin sebelum memasang atau melepas kartrid baterai.

PERHATIAN: Pegang mesin dan kartrid baterai kuat-kuat saat memasang atau melepas kartrid baterai. Kelalaian untuk memegang mesin dan kartrid baterai kuat-kuat bisa menyebabkan keduanya tergelincir dari tangan Anda dan mengakibatkan kerusakan pada mesin dan kartrid baterai dan cedera diri.

► **Gbr.1:** 1. Indikator berwarna merah 2. Tombol 3. Kartrid baterai

Untuk melepas kartrid baterai, geser dari mesin sambil menggeser tombol pada bagian depan kartrid.

Untuk memasang kartrid baterai, sejajarkan lidah kartrid baterai dengan alur pada rumah dan masukkan ke dalam tempatnya. Masukkan seluruhnya sampai terkunci pada tempatnya dan terdengar bunyi klik kecil. Jika Anda bisa melihat indikator berwarna merah pada sisi atas tombol, berarti tidak terkunci sepenuhnya.

PERHATIAN: Selalu pasang kartrid baterai sepenuhnya sampai indikator berwarna merah tidak terlihat. Jika tidak, bisa terlepas dari mesin secara tidak sengaja, menyebabkan luka pada Anda atau orang di sekitar Anda.

PERHATIAN: Jangan memasang kartrid baterai secara paksa. Jika kartrid tidak bergeser dengan mudah, berarti tidak dimasukkan dengan benar.

Mengindikasikan kapasitas baterai yang tersisa

Hanya untuk kartrid baterai dengan indikator

► **Gbr.2:** 1. Lampu indikator 2. Tombol pemeriksaan

Tekan tombol pemeriksaan pada kartrid baterai untuk melihat kapasitas baterai yang tersisa. Lampu indikator menyala selama beberapa detik.

Lampu indikator			Kapasitas yang tersisa
Menyala	Mati	Berkedip	
■	□	◐	75% hingga 100%
■	■	□	50% hingga 75%
■	■	□	25% hingga 50%
■	□	□	0% hingga 25%
◐	□	□	Isi ulang baterai.
■	■	□	Baterai mungkin sudah rusak.
□	□	■	

CATATAN: Tergantung kondisi penggunaan dan suhu lingkungannya, penunjukkan mungkin saja sedikit berbeda dari kapasitas sebenarnya.

Mengindikasikan kapasitas baterai yang tersisa

Negara tertentu

Saat Anda menyalakan mesin, indikator baterai akan menunjukkan kapasitas baterai yang tersisa.

► **Gbr.3:** 1. Indikator baterai

Kapasitas baterai yang tersisa ditunjukkan sebagaimana tabel berikut ini.

Status indikator baterai			Kapasitas baterai yang tersisa
Menyala	Mati	Berkedip	
■	□	◐	50% hingga 100%
■	■	□	20% hingga 50%
■	□	□	0% hingga 20%
◐	□	□	Isi ulang baterai

Sistem perlindungan mesin / baterai

Mesin ini dilengkapi dengan sistem perlindungan mesin/ baterai. Sistem ini memutus daya ke motor secara otomatis untuk memperpanjang umur pakai mesin dan baterai. Mesin akan berhenti secara otomatis saat dioperasikan jika mesin atau baterai mengalami salah satu dari kondisi-kondisi berikut ini:

Perlindungan kelebihan beban

Bila mesin dijalankan dengan cara yang menyebabkannya menarik arus tinggi yang tidak normal, mesin akan berhenti secara otomatis tanpa menunjukkan apa-apa. Untuk situasi ini, matikan mesin dan hentikan pekerjaan yang menyebabkan mesin mengalami kelebihan beban. Kemudian nyalakan mesin untuk memulai lagi pekerjaan.

Perlindungan panas berlebih

Bila mesin mengalami kelebihan panas, mesin akan berhenti secara otomatis dan indikator baterai menunjukkan kondisi berikut. Untuk situasi ini, biarkan mesin menjadi dingin sebelum menyalakan mesin lagi.

Menyala	Berkedip

Jika mesin tidak menyala, baterai mungkin mengalami kelebihan panas. Dalam situasi ini, biarkan baterai mendingin sebelum kembali menyalakan mesin.

Perlindungan pengisian daya berlebih

Ketika kapasitas baterai tidak cukup, mesin akan berhenti secara otomatis. Dalam kondisi ini, lepaskan baterai dari mesin dan isi ulang baterai.

Melepaskan kunci pelindung

Ketika sistem pelindung bekerja terus menerus, mesin akan terkunci dan indikator baterai menunjukkan kondisi berikut.

Dalam situasi ini, mesin tidak menyala bahkan dengan menyalakan dan mematikan mesin. Untuk melepaskan kunci pelindung, lepaskan baterai, pasang di pengisi daya baterai, dan tunggu hingga pengisian selesai.

Menyala	Mati	Berkedip

Kunci poros

Tekan kunci poros untuk mencegah berputarnya spindel saat memasang atau melepas aksesoris.

► **Gbr.4:** 1. Kunci poros

PEMBERITAHUAN: Jangan gerakan kunci poros ketika spindel sedang bergerak. Mesin mungkin saja rusak.

Kerja sakelar

⚠PERHATIAN: Sebelum memasang kartrid baterai pada mesin, pastikan tuas saklar berfungsi dengan baik dan kembali ke posisi “OFF” saat dilepas.

⚠PERHATIAN: Untuk keselamatan Anda, mesin ini dilengkapi dengan tuas buka kunci untuk mencegah hidupnya mesin secara tidak disengaja. **JANGAN PERNAH** menggunakan mesin jika mesin tersebut menyala saat Anda hanya menarik pelatuk sakelarnya tanpa menarik tuas buka kunci. Kembalikan mesin ke pusat layanan resmi kami untuk diperbaiki dengan benar **SEBELUM** menggunakannya lebih lanjut.

⚠PERHATIAN: Jangan menarik dalam-dalam tuas sakelar tanpa menarik tuas buka kunci. Hal ini bisa merusak sakelar.

⚠PERHATIAN: **JANGAN PERNAH** melakban atau mengurangi kegunaan dan fungsi tuas buka kunci.

Untuk mencegah tuas sakelar tertarik dengan tidak sengaja, tersedia sebuah tuas buka kunci. Untuk menjalankan mesin, tarik tuas buka kunci ke arah operator dan kemudian tarik tuas saklarnya. Untuk menghentikan mesin, lepaskan tuas saklarnya.

► **Gbr.5:** 1. Tuas buka kunci 2. Tuas sakelar

Sakelar penyetel kecepatan

Kecepatan rotasi mesin dapat diubah dengan memutar sakelar penyetel kecepatan. Tabel di bawah ini menunjukkan angka pada sakelar dan kecepatan rotasi yang sesuai.

► **Gbr.6:** 1. Sakelar penyetel kecepatan



Angka	Kecepatan
1	3.000 min ⁻¹
2	4.500 min ⁻¹
3	6.000 min ⁻¹
4	7.500 min ⁻¹
5	8.500 min ⁻¹

PEMBERITAHUAN: Jika mesin dijalankan secara terus-menerus dengan kecepatan rendah dalam waktu yang lama, motor akan mengalami kelebihan beban dan mengakibatkan kerusakan mesin.

PEMBERITAHUAN: Saat mengubah sakelar kecepatan dari “5” ke “1”, putar sakelar berlawanan arah jarum jam. Jangan memutar sakelar searah jarum jam secara paksa.

Fungsi perubahan kecepatan otomatis

► **Gbr.7:** 1. Indikator mode

Status indikator mode	Mode pengoperasian
	Mode kecepatan tinggi
	Mode putaran tinggi

Mesin ini memiliki “mode kecepatan tinggi” dan “mode putaran tinggi”. Hal ini secara otomatis mengubah mode pengoperasian tergantung pada beban kerja. Ketika indikator mode menyala selama pengoperasian, mesin berada dalam mode putaran tinggi.

Fungsi pencegah penyalaan ulang secara tidak sengaja

Bahkan jika memasang kartrid baterai sementara menarik tuas saklar, mesin tidak berjalan. Untuk menjalankan mesin, pertama lepaskan tuas saklarnya. Kemudian tarik tuas buka kunci, dan tarik tuas saklar.

Fungsi kendali torsi elektronik

Mesin secara elektronik mendeteksi situasi di mana roda atau aksesoris mungkin berisiko macet. Dalam situasi ini, mesin dimatikan secara otomatis untuk menghindari perputaran spindel lebih jauh (ini tidak mencegah hentakan). Untuk menyalakan ulang mesin, matikan mesin terlebih dahulu, hilangkan penyebab jatuh tiba-tiba dalam kecepatan putaran, kemudian nyalakan mesin.

Fitur awal pengerjaan lembut

Fitur awal pengerjaan lembut mengurangi reaksi permulaan.

Rem elektrik

Rem elektrik diaktifkan setelah mesin dimatikan. Rem tidak berfungsi ketika suplai daya dimatikan, seperti saat baterai dilepaskan secara tiba-tiba, dengan saklar yang masih menyala.

PERAKITAN

⚠️ PERHATIAN: Selalu pastikan bahwa mesin dimatikan dan kartrid baterai dilepas sebelum menyatel atau memeriksa kerja mesin.

Memasang gagang sisi (pegangan)

⚠️ PERHATIAN: Selalu pastikan bahwa gagang sisi terpasang dengan kuat sebelum penggunaan.

Sekrup gagang sisi dengan kencang pada posisi mesin sebagaimana yang ditunjukkan pada gambar.

► **Gbr.8**

Pasang atau lepas pelindung roda (Untuk roda tengah gerinda, cakram flap, roda flex, sikat roda kawat / roda pemotong abrasif, roda intan)

⚠️ PERINGATAN: Ketika menggunakan roda tengah gerinda, cakram flap, roda flex atau sikat roda kawat, pelindung roda harus cocok dengan mesin sehingga bagian sisi yang tertutup dari pelindung selalu mengarah pada operator.

⚠️ PERINGATAN: Ketika menggunakan pemotong abrasif / roda intan, jangan gunakan selain pelindung roda khusus yang dirancang untuk digunakan bersama roda pemotong.

(Di beberapa negara Eropa, saat menggunakan roda berlian, pelindung yang umum dapat digunakan. Patuhi peraturan di negara Anda.)

Untuk mesin dengan pelindung roda dengan tipe sekrup pengunci

Pasang pelindung roda dengan posisi tonjolan ada di atas ikatan pelindung roda yang sejajar dengan cekungan-cekungan pada kotak penahan. Kemudian putar pelindung roda ke suatu sudut sehingga dapat melindungi operator sesuai dengan pekerjaan. Pastikan bahwa sekrup sudah dikencangkan hingga aman. Untuk melepas pelindung roda, lakukan prosedur pemasangan dalam urutan terbalik.

► **Gbr.9:** 1. Pelindung roda 2. Kotak penahan 3. Sekrup

Untuk mesin dengan pelindung roda dengan tipe tuas klem

Longgarkan sekrup, kemudian tarik tuas sesuai arah panah. Pasang pelindung roda dengan posisi tonjolan ada di atas ikatan pelindung roda yang sejajar dengan cekungan-cekungan pada kotak penahan. Kemudian putar pelindung roda ke suatu sudut sehingga dapat melindungi operator sesuai dengan pekerjaan.

► **Gbr.10:** 1. Pelindung roda 2. Kotak penahan 3. Sekrup 4. Tuas

Tarik tuas sesuai arah panah. Kemudian rapatkan pelindung rodanya dengan cara mengencangkan sekrupnya. Pastikan bahwa sekrup sudah dikencangkan hingga aman. Sudut pada pelindung roda dapat disetel dengan tuasnya.

► **Gbr.11:** 1. Sekrup 2. Tuas

Untuk melepas pelindung roda, lakukan prosedur pemasangan dalam urutan terbalik.

Memasang atau melepaskan roda tengah gerinda atau cakram flap

Pilihan Aksesori

⚠️ PERINGATAN: Ketika menggunakan roda tengah gerinda, atau cakram flap pelindung roda harus cocok dengan mesin sehingga bagian sisi yang tertutup dari pelindung selalu mengarah pada operator.

⚠️ PERHATIAN: Pastikan bahwa bagian pemasangan flensa dalam benar-benar cocok untuk diameter dalam pada roda tengah gerinda / cakram flap. Memasang flensa dalam di sisi yang salah dapat mengakibatkan getaran yang berbahaya.

Pasang flensa dalam pada spindel.

Pastikan agar bagian flensa dalam penyok cocok dengan bagian lurus pada bagian bawah spindel. Pasang roda tengah gerinda / cakram flap pada flensa dalam dan sekrup mur kunci ke dalam spindel.

► **Gbr.12:** 1. Mur kunci 2. Roda tengah pengasah 3. Flensa dalam 4. Bagian pemasangan

Untuk mengencangkan mur kunci, tekan kunci poros dengan kuat agar spindel tidak berputar, kemudian gunakan kunci pas baut pengunci dan kencangkan kuat-kuat searah jarum jam.

► **Gbr.13:** 1. Kunci pas baut pengunci 2. Kunci poros

Untuk melepas roda, lakukan prosedur pemasangan dalam urutan terbalik.

Memasang atau melepas roda flex

Pilihan Aksesori

⚠️ PERINGATAN: Selalu gunakan pelindung dengan penahan jika roda flex dipasang pada mesin. Roda dapat pecah selama penggunaan, dan pelindung membantu mengurangi risiko cedera pada pengguna.

► **Gbr.14:** 1. Mur kunci 2. Roda flex 3. Bantal penyangga di belakang 4. Flensa dalam

Ikuti petunjuk untuk roda tengah gerinda, juga gunakan bantalan belakang di atas roda. Lihat urutan pemasangan pada halaman aksesori dalam buku petunjuk ini.

Memasang atau melepas cakram abrasif

Pilihan Aksesori

CATATAN: Gunakan aksesori mesin ampelas yang ditentukan dalam panduan ini. Aksesori tersebut harus dibeli secara terpisah.

Untuk model 100 mm

► **Gbr.15:** 1. Mur kunci pengampelasan 2. Cakram abrasif 3. Bantalan karet 4. Flensa dalam

1. Pasang flensa dalam pada spindel.
2. Pasang bantalan karet pada spindel.
3. Pasang cakram pada bantalan karet dan sekrup mur kunci pengampelasan pada spindel.
4. Tahan spindel dengan kunci poros lalu kencangkan mur kunci pengampelasan searah dengan jarum jam dengan kunci pas baut pengunci hingga aman.

Untuk melepas cakram, lakukan prosedur pemasangan dalam urutan terbalik.

Untuk model 115 mm / 125 mm

► **Gbr.16:** 1. Mur kunci pengampelasan 2. Cakram abrasif 3. Bantalan karet

1. Pasang bantalan karet pada spindel.
2. Pasang cakram pada bantalan karet dan sekrup mur kunci pengampelasan pada spindel.
3. Tahan spindel dengan kunci poros lalu kencangkan mur kunci pengampelasan searah dengan jarum jam dengan kunci pas baut pengunci hingga aman.

Untuk melepas cakram, lakukan prosedur pemasangan dalam urutan terbalik.

Menyambungkan pengisap debu

Pilihan Aksesori

PERINGATAN: Jangan pernah mengisap partikel logam yang dihasilkan dari pekerjaan penggerindaan/pemotongan/pengampelasan. Partikel logam yang dihasilkan dari pekerjaan tersebut sangat panas sehingga membakar debu dan saringan di bagian dalam pengisap debu.

Untuk menghindari lingkungan berdebu yang disebabkan oleh pemotongan tembok, gunakan pelindung roda pengumpul debu dan pengisap debu. Lihat petunjuk penggunaan yang disertakan pada pelindung roda pengumpul debu untuk memasang dan menggunakannya.

- **Gbr.17:** 1. Pelindung roda pengumpul debu
2. Selang pengisap debu

PENGUNAAN

PERINGATAN: Tidak perlu sampai memaksa mesin. Bobot mesin sudah memberi tekanan yang cukup. Pemaksaan dan tekanan yang berlebihan dapat mengakibatkan kerusakan yang berbahaya pada roda.

PERINGATAN: SELALU ganti rodanya jika kinerja mesin menurun pada saat menggerinda.

PERINGATAN: JANGAN SEKALI-KALI membenturkan atau memukul cakram atau roda di tengah-tengah pengerjaan.

PERINGATAN: Jangan memantulkan dan mendekatkan roda pada permukaan tajam, terutama ketika berkerja pada sudut, pinggir yang tajam, dll. Hal ini dapat menyebabkan hilangnya kontrol dan bantingan.

PERINGATAN: JANGAN SEKALI-KALI menggunakan mesin dengan mata pisau pemotong kayu dan mata gergaji lainnya. Mata pisau semacam itu sering kali menghentak bila digunakan pada gerinda serta menyebabkan hilangnya kendali yang mengarah pada terjadinya cedera badan.

PERHATIAN: Jangan sekali-kali menyalakan mesin saat menyentuh benda kerja, hal tersebut bisa menyebabkan luka pada operator.

PERHATIAN: Selalu gunakan kaca mata pelindung atau pelindung muka selama pengoperasian.

PERHATIAN: Setelah pengoperasian, selalu matikan mesin dan tunggu sampai mesin benar-benar berhenti sebelum meletakkan mesin kembali.

PERHATIAN: SELALU pegang mesin menggunakan satu tangan pada bagian rumah dan tangan yang lain pada gagang sisi (pegangan) dengan kuat.

Operasi penggerindaan dan pengampelasan

► **Gbr.18**

Nyalakan mesin dan kemudian letakkan roda atau cakram di atas benda kerja.

Secara umum, pertahankan pinggir roda atau cakram pada sudut sekitar 15° terhadap permukaan benda kerja.

Selama awal penggunaan roda baru, jangan menggerinda dengan arah ke depan sehingga benda kerja terpotong. Ketika pinggir roda telah menjadi bulat karena terus digunakan, roda dapat bekerja dengan arah ke depan maupun ke belakang.

Operasi dengan roda pemotongan abrasif / roda intan

Pilihan Aksesori

⚠️PERINGATAN: Ketika menggunakan pemotong abrasif / roda intan, jangan gunakan selain pelindung roda khusus yang dirancang untuk digunakan bersama roda pemotong.

(Di beberapa negara Eropa, saat menggunakan roda berlian, pelindung yang umum dapat digunakan. Patuhi peraturan di negara Anda.)

⚠️PERINGATAN: JANGAN SEKALI-KALI menggunakan roda pemotongan untuk gerinda samping.

⚠️PERINGATAN: Jangan membuat roda “macet” atau menekannya secara berlebihan. Jangan mencoba memotong terlalu dalam. Memberikan tekanan berlebihan pada roda akan meningkatkan beban dan dapat menyebabkan roda berputar atau terjepit pada potongan dan terdapat kemungkinan terjadi hentakan balik, kerusakan roda dan panas yang berlebihan.

⚠️PERINGATAN: Jangan memulai pemotongan pada benda kerja. Biarkan roda mencapai kecepatan penuh dan perlahan masuk ke dalam pemotongan yang menggerakkan mesin ke depan di atas permukaan benda kerja. Roda mungkin saja macet, bergerak ke atas atau terjadi hentakan balik jika mesin listrik dinyalakan ulang pada benda kerja.

⚠️PERINGATAN: Selama operasi pemotongan, jangan ubah sudut roda. Memberikan tekanan samping pada roda pemotongan (seperti dalam proses gerinda) akan menyebabkan roda retak dan patah, sehingga pengguna mengalami cedera serius.

⚠️PERINGATAN: Roda berlian harus dioperasikan secara tegak lurus terhadap bahan yang akan dipotong.

- **Gbr.19:** 1. Mur kunci 2. Roda pemotongan abrasif / roda berlian 3. Flensa dalam 4. Pelindung roda untuk roda pemotongan abrasif / roda intan

Untuk pemasangan, ikuti petunjuk untuk roda tengah gerinda.

Arah untuk pemasangan mur kunci dan flensa dalam bervariasi tergantung pada jenis roda dan ketebalannya.

Perhatikan gambar berikut.

Untuk model 100 mm

Ketika memasang roda pemotong abrasif:

- **Gbr.20:** 1. Mur kunci 2. Roda pemotong abrasif (Lebih tipis dari 4 mm) 3. Roda pemotong abrasif (4 mm atau lebih tebal) 4. Flensa dalam

Ketika memasang roda berlian:

- **Gbr.21:** 1. Mur kunci 2. Roda berlian (Lebih tipis dari 4 mm) 3. Roda berlian (4 mm atau lebih tebal) 4. Flensa dalam

Untuk model 115 mm / 125 mm

Ketika memasang roda pemotong abrasif:

- **Gbr.22:** 1. Mur kunci 2. Roda pemotong abrasif (Lebih tipis dari 4 mm) 3. Roda pemotong abrasif (4 mm atau lebih tebal) 4. Flensa dalam

Ketika memasang roda berlian:

- **Gbr.23:** 1. Mur kunci 2. Roda berlian (Lebih tipis dari 4 mm) 3. Roda berlian (4 mm atau lebih tebal) 4. Flensa dalam

Operasi dengan sikat kawat mangkuk

Pilihan Aksesori

⚠️PERHATIAN: Periksa kerja sikat dengan menjalankan mesin tanpa beban, untuk memastikan bahwa tidak ada benda di depan atau sejajar dengan sikat.

⚠️PERHATIAN: Jangan gunakan sikat yang rusak, atau yang tidak seimbang. Sikat yang rusak akan meningkatkan kemungkinan cedera akibat sentuhan dengan kawat sikat yang rusak.

- **Gbr.24:** 1. Sikat kawat mangkuk

Melepaskan kartrid baterai dari mesin dan letakkan mesin dengan posisi terbalik sehingga spindel dapat dijangkau dengan mudah.

Lepaskan semua aksesoris pada spindel. Pasang sikat kawat mangkuk ke dalam spindel dan kencangkan dengan kunci yang tersedia.

PEMBERITAHUAN: Jangan menekan terlalu keras, ketika menggunakan sikat karena nanti terlalu banyak kawat yang tertekuk. Akan terjadi patahan yang sebenarnya masih bisa dihindari.

Operasi dengan sikat roda kawat

Pilihan Aksesori

⚠️PERHATIAN: Periksa kerja sikat roda kawat dengan menjalankan mesin tanpa beban, untuk memastikan bahwa tidak ada benda di depan atau sejajar dengan sikat.

⚠️PERHATIAN: Jangan gunakan sikat roda kawat yang rusak, atau yang tidak seimbang. Sikat roda kawat yang rusak akan meningkatkan kemungkinan cedera akibat sentuhan dengan kawat yang rusak.

⚠️PERHATIAN: SELALU gunakan pelindung dengan sikat roda kawat, sehingga diameter roda tetap sesuai dengan pelindung dalam. Roda dapat pecah selama penggunaan, dan pelindung membantu mengurangi risiko cedera pada pengguna.

- **Gbr.25:** 1. Sikat roda kawat

Melepaskan kartrid baterai dari mesin dan letakkan mesin dengan posisi terbalik sehingga spindel dapat dijangkau dengan mudah.

Lepaskan semua aksesoris pada spindel. Pasang sikat roda kawat ke dalam spindel dan kencangkan dengan kunci yang tersedia.

PEMBERITAHUAN: Jangan menekan terlalu keras ketika menggunakan sikat roda kawat, karena nanti terlalu banyak kawat yang tertekuk. Akan terjadi patahan yang sebenarnya masih bisa dihindari.

FUNGSI PENGAKTIFAN NIRKABEL

Hanya untuk DGA418/DGA468/DGA518

Kegunaan dari fungsi pengaktifan nirkabel

Fungsi pengaktifan nirkabel memungkinkan pengoperasian yang bersih dan nyaman. Dengan menyambungkan pengisap debu yang didukung ke mesin, Anda dapat menjalankan pengisap debu secara otomatis bersama dengan pengoperasian sakelar mesin.

► **Gbr.26**

Untuk menggunakan fungsi pengaktifan nirkabel, siapkan item-item berikut:

- Unit nirkabel (pilihan aksesoris)
- Pengisap debu yang mendukung fungsi pengaktifan nirkabel

Berikut ialah gambaran umum mengenai pengaturan fungsi pengaktifan nirkabel. Lihat pada masing-masing bagian untuk prosedur terperinci.

1. Memasang unit nirkabel
2. Registrasi mesin untuk pengisap debu
3. Memulai fungsi pengaktifan nirkabel

Memasang unit nirkabel

Pilihan Aksesoris

PERHATIAN: Letakkan mesin pada permukaan yang datar dan stabil pada saat memasang unit nirkabel.

PEMBERITAHUAN: Bersihkan debu dan kotoran yang menempel pada mesin sebelum memasang unit nirkabel. Debu atau kotoran dapat mengakibatkan malafungsi jika masuk ke dalam celah unit nirkabel.

PEMBERITAHUAN: Untuk mencegah terjadinya malafungsi yang disebabkan oleh listrik statis, sentuh bahan yang melepaskan muatan listrik statis, seperti bagian logam pada mesin, sebelum mengambil unit nirkabel.

PEMBERITAHUAN: Ketika memasang unit nirkabel, selalu pastikan bahwa unit nirkabel dimasukkan dengan arah yang benar dan penutup telah benar-benar ditutup.

1. Buka penutup pada mesin sebagaimana yang ditunjukkan dalam gambar.

► **Gbr.27:** 1. Penutup

2. Masukkan unit nirkabel ke celah dan kemudian tutup penutup.

Ketika memasang unit nirkabel, sejajarkan proyeksi dengan bagian-bagian ceruk pada celah.

► **Gbr.28:** 1. Unit nirkabel 2. Proyeksi 3. Penutup 4. Bagian-bagian ceruk

Ketika melepaskan unit nirkabel, buka penutup secara perlahan. Kait pada bagian belakang penutup akan mengangkat unit nirkabel ketika Anda menarik penutup.

► **Gbr.29:** 1. Unit nirkabel 2. Kait 3. Penutup

Setelah melepaskan unit nirkabel, simpan unit dalam kotak yang disediakan atau wadah bebas listrik statis.

PEMBERITAHUAN: Selalu gunakan kait pada bagian belakang penutup pada saat melepaskan unit nirkabel. Jika kait tidak mengenai unit nirkabel, tutup penutup sepenuhnya dan buka kembali secara perlahan.

Registrasi mesin untuk pengisap debu

CATATAN: Pengisap debu Makita yang mendukung fungsi pengaktifan nirkabel diperlukan untuk registrasi mesin.

CATATAN: Selesaikan pemasangan unit nirkabel ke mesin sebelum memulai registrasi mesin.

CATATAN: Selama registrasi mesin, jangan menarik pelatuk sakelar atau menghidupkan sakelar daya pada pengisap debu.

CATATAN: Lihat juga petunjuk penggunaan pengisap debu.

Jika Anda ingin mengaktifkan pengisap debu bersama dengan pengoperasian sakelar mesin, selesaikan registrasi mesin terlebih dahulu.

1. Pasang baterai ke pengisap debu dan mesin.

2. Setel sakelar siaga pada pengisap debu ke "AUTO".

► **Gbr.30:** 1. Sakelar siaga

3. Tekan tombol pengaktifan nirkabel pada pengisap debu selama 3 detik hingga lampu pengaktifan nirkabel berkedip menjadi warna hijau. Kemudian tekan tombol pengaktifan nirkabel pada mesin dengan cara yang sama.

► **Gbr.31:** 1. Tombol pengaktifan nirkabel 2. Lampu pengaktifan nirkabel

Jika pengisap debu dan mesin berhasil tersambung, lampu pengaktifan nirkabel akan menyala hijau selama 2 detik dan mulai berkedip dalam warna biru.

CATATAN: Lampu pengaktifan nirkabel akan berhenti berkedip dalam warna hijau setelah 20 detik. Tekan tombol pengaktifan nirkabel pada mesin ketika lampu pengaktifan nirkabel pada pembersih berkedip. Jika lampu pengaktifan nirkabel tidak berkedip dalam warna hijau, tekan tombol pengaktifan nirkabel sebentar dan tahan kembali.

CATATAN: Ketika melakukan registrasi beberapa mesin untuk satu pengisap debu, selesaikan registrasi mesin satu demi satu.

Memulai fungsi pengaktifan nirkabel

CATATAN: Selesaikan registrasi mesin untuk pengisap debu sebelum pengaktifan nirkabel.

CATATAN: Lihat juga petunjuk penggunaan pengisap debu.

Setelah registrasi mesin ke pengisap debu, pengisap debu akan secara otomatis bekerja bersama dengan pengoperasian sakelar mesin.

1. Pasang unit nirkabel ke mesin.

2. Sambungkan selang pengisap debu dengan mesin.

► **Gbr.32**

3. Setel sakelar siaga pada pengisap debu ke "AUTO".

► **Gbr.33:** 1. Sakelar siaga

4. Tekan sebentar tombol pengaktifan nirkabel pada mesin. Lampu pengaktifan nirkabel akan berkedip dalam warna biru.

► **Gbr.34:** 1. Tombol pengaktifan nirkabel 2. Lampu pengaktifan nirkabel

5. Tarik pelatuk sakelar pada mesin. Periksa apakah pengisap debu bekerja ketika pelatuk sakelar ditarik.

Untuk menghentikan pengaktifan nirkabel pada pengisap debu, tekan tombol pengaktifan nirkabel pada mesin.

CATATAN: Lampu pengaktifan nirkabel pada mesin akan berhenti berkedip dalam warna biru jika tidak ada pengoperasian selama 2 jam. Dalam kasus ini, setel sakelar siaga pada pengisap debu ke "AUTO" dan tekan kembali tombol pengaktifan nirkabel pada mesin.

CATATAN: Pengisap debu akan mulai/berhenti dengan jeda. Ada jeda waktu ketika pengisap debu mendeteksi adanya pengoperasian sakelar mesin.

















CATATAN: Jarak transmisi unit nirkabel dapat berbeda, tergantung lokasi dan keadaan sekitar.

CATATAN: Ketika beberapa mesin teregistrasi ke satu pengisap debu, pengisap debu dapat mulai bekerja walaupun Anda tidak menarik pelatuk sakelar karena pengguna lain sedang menggunakan fungsi pengaktifan nirkabel.

Deskripsi mengenai status lampu pengaktifan nirkabel

► Gbr.35: 1. Lampu pengaktifan nirkabel

Lampu pengaktifan nirkabel menunjukkan status dari fungsi pengaktifan nirkabel. Lihat pada tabel di bawah untuk mengetahui arti dari status lampu.

Status	Lampu pengaktifan nirkabel			Durasi	Deskripsi
	Warna	 Menyala	 Berkedip		
Siaga	Biru			2 jam	Tersedia pengaktifan nirkabel pada pengisap debu. Lampu akan mati secara otomatis ketika tidak ada pengoperasian yang dilakukan selama 2 jam.
				Ketika mesin bekerja.	Tersedia pengaktifan nirkabel pada pengisap debu dan mesin bekerja.
Registrasi mesin	Hijau			20 detik	Siap untuk registrasi mesin. Menunggu registrasi oleh pengisap debu.
				2 detik	Registrasi mesin telah selesai. Lampu pengaktifan nirkabel akan mulai berkedip dalam warna biru.
Membatalkan registrasi mesin	Merah			20 detik	Siap untuk membatalkan registrasi mesin. Menunggu untuk dibatalkan oleh pengisap debu.
				2 detik	Pembatalan registrasi mesin telah selesai. Lampu pengaktifan nirkabel akan mulai berkedip dalam warna biru.
Lainnya	Merah			3 detik	Daya dialirkan ke unit nirkabel dan fungsi pengaktifan nirkabel dimulai.
	Mati	-	-	-	Pengaktifan nirkabel pada pengisap debu dihentikan.

Membatalkan registrasi mesin untuk pengisap debu

Lakukan prosedur berikut ketika membatalkan registrasi mesin untuk pengisap debu.

1. Pasang baterai ke pengisap debu dan mesin.
2. Setel sakelar siaga pada pengisap debu ke "AUTO".

► Gbr.36: 1. Sakelar siaga

3. Tekan tombol pengaktifan nirkabel pada pengisap debu selama 6 detik. Lampu pengaktifan nirkabel berkedip dalam warna hijau dan kemudian akan menjadi merah. Setelah itu, tekan tombol pengaktifan nirkabel pada mesin dengan cara yang sama.

► Gbr.37: 1. Tombol pengaktifan nirkabel 2. Lampu pengaktifan nirkabel

Jika pembatalan berhasil dilakukan, lampu pengaktifan nirkabel akan menyala dalam warna merah selama 2 detik dan mulai berkedip dalam warna biru.

CATATAN: Lampu pengaktifan nirkabel berhenti berkedip dalam warna merah setelah 20 detik. Tekan tombol pengaktifan nirkabel pada mesin ketika lampu pengaktifan nirkabel pada pembersih berkedip. Jika lampu pengaktifan nirkabel tidak berkedip dalam warna merah, tekan tombol pengaktifan nirkabel sebentar dan tahan kembali.

Pemecahan masalah fungsi pengaktifan nirkabel

Sebelum meminta perbaikan, lakukan pemeriksaan mandiri terlebih dahulu. Jika Anda menemukan masalah yang tidak dijelaskan dalam buku petunjuk ini, jangan coba membongkar mesin. Sebaliknya, hubungi Pusat Servis Resmi Makita, dan selalu gunakan suku cadang pengganti Makita untuk perbaikan.

Keadaan Tidak Normal	Kemungkinan penyebab (kerusakan fungsi)	Perbaikan
Lampu pengaktifan nirkabel tidak menyala/berkedip.	Unit nirkabel tidak dipasang ke dalam mesin. Unit nirkabel tidak dipasang dengan benar ke dalam mesin.	Pasang unit nirkabel dengan benar.
	Terminal unit nirkabel dan/atau celah kotor.	Bersihkan dengan lembut debu dan kotoran yang terdapat pada terminal unit nirkabel dan bersihkan celah.
	Tombol pengaktifan nirkabel pada mesin belum ditekan.	Tekan sebentar tombol pengaktifan nirkabel pada mesin.
	Sakelar siaga pada pengisap debu tidak disetel ke "AUTO".	Setel sakelar siaga pada pengisap debu ke "AUTO".
	Tidak ada pasokan daya	Alirkan daya ke mesin dan pengisap debu.
Tidak dapat menyelesaikan registrasi mesin/pembatalan registrasi mesin.	Unit nirkabel tidak dipasang ke dalam mesin. Unit nirkabel tidak dipasang dengan benar ke dalam mesin.	Pasang unit nirkabel dengan benar.
	Terminal unit nirkabel dan/atau celah kotor.	Bersihkan dengan lembut debu dan kotoran yang terdapat pada terminal unit nirkabel dan bersihkan celah.
	Sakelar siaga pada pengisap debu tidak disetel ke "AUTO".	Setel sakelar siaga pada pengisap debu ke "AUTO".
	Tidak ada pasokan daya	Alirkan daya ke mesin dan pengisap debu.
	Pengoperasian salah	Tekan sejenak tombol pengaktifan nirkabel dan lakukan kembali prosedur registrasi mesin/pembatalan.
	Mesin dan pengisap debu saling berjauhan satu sama lain (di luar jangkauan transmisi).	Dekatkan mesin dan pengisap debu satu sama lain. Jarak transmisi maksimum adalah sekitar 10 m, tetapi jarak dapat berbeda sesuai dengan keadaan.
	Sebelum menyelesaikan registrasi mesin/pembatalan; - pelatuk sakelar pada mesin ditarik, atau; - tombol daya pada pengisap debu dinyalakan.	Tekan sejenak tombol pengaktifan nirkabel dan lakukan kembali prosedur registrasi mesin/pembatalan.
	Prosedur registrasi mesin untuk mesin atau pengisap debu belum selesai.	Lakukan prosedur registrasi mesin untuk mesin dan pengisap debu di waktu yang sama.
Gangguan radio oleh perangkat lain yang menghasilkan gelombang radio intensitas tinggi.	Jauhkan mesin dan pengisap debu dari perangkat seperti perangkat Wi-Fi dan oven microwave.	

Keadaan Tidak Normal	Kemungkinan penyebab (kerusakan fungsi)	Perbaikan
Pemisap debu tidak bekerja bersama dengan pengoperasian sakelar mesin.	Unit nirkabel tidak dipasang ke dalam mesin. Unit nirkabel tidak dipasang dengan benar ke dalam mesin.	Pasang unit nirkabel dengan benar.
	Terminal unit nirkabel dan/atau celah kotor.	Bersihkan dengan lembut debu dan kotoran yang terdapat pada terminal unit nirkabel dan bersihkan celah.
	Tombol pengaktifan nirkabel pada mesin belum ditekan.	Tekan sejenak tombol pengaktifan nirkabel dan pastikan lampu pengaktifan nirkabel berkedip dalam warna biru.
	Sakelar siaga pada pemisap debu tidak disetel ke "AUTO".	Setel sakelar siaga pada pemisap debu ke "AUTO".
	Lebih dari 10 mesin teregistrasi ke pemisap debu.	Lakukan kembali registrasi mesin. Jika lebih dari 10 mesin teregistrasi ke pemisap debu, mesin yang teregistrasi paling awal akan dibatalkan secara otomatis.
	Pemisap debu menghapus semua registrasi mesin.	Lakukan kembali registrasi mesin.
	Tidak ada pasokan daya	Alirkan daya ke mesin dan pemisap debu.
	Mesin dan pemisap debu saling berjauhan satu sama lain (di luar jangkauan transmisi).	Dekatkan mesin dan pemisap debu satu sama lain. Jarak transmisi maksimum adalah sekitar 10 m, tetapi jarak dapat berbeda sesuai dengan keadaan.
Pemisap debu bekerja ketika pelatuk sakelar mesin tidak ditarik.	Pengguna lain sedang menggunakan pengaktifan nirkabel pemisap debu dengan mesin mereka.	Matikan tombol pengaktifan nirkabel dari mesin lain atau batalkan registrasi mesin dari mesin lain.

PERAWATAN

⚠ PERHATIAN: Selalu pastikan bahwa mesin dimatikan dan kartrid baterai dilepas sebelum melakukan pemeriksaan atau perawatan.

PEMBERITAHUAN: Jangan sekali-kali menggunakan bensin, tiner, alkohol, atau bahan sejenisnya. Penggunaan bahan demikian dapat menyebabkan perubahan warna, perubahan bentuk atau timbulnya retakan.

Pembersihan ventilasi udara

Mesin dan ventilasi udara harus dijaga agar tetap bersih. Bersihkan ventilasi udara mesin secara teratur atau saat ventilasi mulai terganggu.

► **Gbr.38:** 1. Ventilasi pengeluaran 2. Ventilasi penyerapan

Lepaskan penutup debu dari ventilasi penyerapan dan bersihkan untuk sirkulasi udara yang halus.

► **Gbr.39:** 1. Penutup debu

PEMBERITAHUAN: Bersihkan penutup debu saat tersumbat dengan debu atau benda asing. Melanjutkan operasi dengan penutup debu tersumbat dapat merusak mesin.

AKSESORI PILIHAN

⚠️ PERHATIAN: Dianjurkan untuk menggunakan aksesoris atau perangkat tambahan ini dengan mesin Makita Anda yang ditentukan dalam petunjuk ini. Penggunaan aksesoris atau perangkat tambahan lain bisa menyebabkan risiko cedera pada manusia. Hanya gunakan aksesoris atau perangkat tambahan sesuai dengan peruntukannya.

Jika Anda memerlukan bantuan lebih rinci berkenaan dengan aksesoris ini, tanyakan pada Pusat Layanan Makita terdekat.

- Baterai dan pengisi daya asli buatan Makita
- Unit nirkabel (Untuk model dengan fungsi pengaktifan nirkabel)

► **Gbr.40**

	Model 100 mm	Model 115 mm	Model 125 mm
1	Gagang 36		
2	Pelindung roda (untuk roda gerinda)		
3	Flensa dalam		
4	Roda tengah gerinda / Cakram flap		
5	Mur kunci		
6	Bantal penyangga di belakang		
7	Roda flex		
8	Flensa dalam dan bantalan karet 76	Bantalan karet 100	Bantalan karet 115
9	Cakram abrasif		
10	Mur kunci pengampelasan		
11	Sikat roda kawat		
12	Sikat kawat mangkuk		
13	Pelindung Roda (untuk roda pemotong)*1		
14	Roda pemotongan abrasif / Roda berlian		
15	Pelindung roda pengumpul debu		
-	Kunci pas baut pengunci		

CATATAN: *1 Di beberapa negara Eropa, pada waktu menggunakan roda berlian, pelindung biasa boleh digunakan, sebagai ganti pelindung khusus yang menutupi kedua sisi roda. Patuhi peraturan di negara Anda.

CATATAN: Beberapa item dalam daftar tersebut mungkin sudah termasuk dalam paket mesin sebagai aksesoris standar. Hal tersebut dapat berbeda dari satu negara ke negara lainnya.

THÔNG SỐ KỸ THUẬT

Kiểu máy:	DGA417	DGA418
Đường kính đĩa mài	100 mm (4")	
Chiều dày đĩa mài tối đa	6,4 mm	
Ren của trụ quay	M10	
Tốc độ định mức (n)	8.500 min ⁻¹	
Tổng chiều dài	382 mm	
Điện áp định mức	D.C. 18 V	
Khối lượng tịnh	2,2 - 2,9 kg	
Phanh điện tử	✓	
Chức năng kích hoạt không dây	-	✓

Kiểu máy:	DGA467	DGA468
Đường kính đĩa mài	115 mm (4-1/2")	
Chiều dày đĩa mài tối đa	7,2 mm	
Ren của trụ quay	M14 hoặc 5/8" (tùy thuộc vào quốc gia)	
Tốc độ định mức (n)	8.500 min ⁻¹	
Tổng chiều dài	382 mm	
Điện áp định mức	D.C. 18 V	
Khối lượng tịnh	2,4 - 3,1 kg	
Phanh điện tử	✓	
Chức năng kích hoạt không dây	-	✓

Kiểu máy:	DGA517	DGA518
Đường kính đĩa mài	125 mm (5")	
Chiều dày đĩa mài tối đa	7,2 mm	
Ren của trụ quay	M14 hoặc 5/8" (tùy thuộc vào quốc gia)	
Tốc độ định mức (n)	8.500 min ⁻¹	
Tổng chiều dài	382 mm	
Điện áp định mức	D.C. 18 V	
Khối lượng tịnh	2,4 - 3,1 kg	
Phanh điện tử	✓	
Chức năng kích hoạt không dây	-	✓

- Do chương trình nghiên cứu và phát triển liên tục của chúng tôi nên các thông số kỹ thuật trong đây có thể thay đổi mà không cần thông báo trước.
- Các thông số kỹ thuật có thể thay đổi tùy theo từng quốc gia.
- Khối lượng có thể khác nhau tùy thuộc vào (các) phụ kiện, bao gồm cả hộp pin. Tổ hợp nhẹ nhất và nặng nhất, theo Quy trình EPTA 01/2014, được trình bày trong bảng.

Hộp pin có thể áp dụng

BL1815N / BL1820 / BL1820B / BL1830 / BL1830B / BL1840 / BL1840B / BL1850 / BL1850B / BL1860B

- Một số hộp pin được nêu trong danh sách ở trên có thể không khả dụng tùy thuộc vào khu vực cư trú của bạn.

⚠ CẢNH BÁO: Chỉ sử dụng hộp pin được nêu trong danh sách ở trên. Việc sử dụng bất cứ hộp pin nào khác có thể gây ra thương tích và/hoặc hỏa hoạn.

Ký hiệu

Phần dưới đây cho biết các ký hiệu được dùng cho thiết bị. Đảm bảo rằng bạn hiểu rõ ý nghĩa của các ký hiệu này trước khi sử dụng.



Đọc tài liệu hướng dẫn.



Mang kính an toàn.



Chỉ dành cho các quốc gia EU
Không thải bỏ thiết bị điện hoặc bộ pin cùng với các chất thải sinh hoạt!
Để tuân thủ các Chỉ thị của Châu Âu về thiết bị điện và điện tử thải bỏ, và về pin và ắc quy và pin và ắc quy thải bỏ, và thi hành những chỉ thị này phù hợp với luật lệ quốc gia, các thiết bị điện tử và pin và (các) bộ pin không còn sử dụng được nữa phải được thu nhặt riêng và đưa trở lại một cơ sở tái chế tương thích với môi trường.

Mục đích sử dụng

Dụng cụ này được dùng để mài, chà nhám và cắt kim loại và các vật liệu bằng đá mà không cần sử dụng nước.

CẢNH BÁO AN TOÀN

Cảnh báo an toàn chung dành cho dụng cụ máy

⚠ CẢNH BÁO: Xin đọc tất cả các cảnh báo an toàn, hướng dẫn, minh họa và thông số kỹ thuật đi kèm với dụng cụ máy này. Việc không tuân theo các hướng dẫn được liệt kê dưới đây có thể dẫn đến điện giật, hỏa hoạn và/hoặc thương tích nghiêm trọng.

Lưu giữ tất cả cảnh báo và hướng dẫn để tham khảo sau này.

Thuật ngữ “dụng cụ máy” trong các cảnh báo đề cập đến dụng cụ máy (có dây) được vận hành bằng nguồn điện chính hoặc dụng cụ máy (không dây) được vận hành bằng pin của bạn.

An toàn tại nơi làm việc

- Giữ nơi làm việc sạch sẽ và có đủ ánh sáng.** Nơi làm việc bừa bộn hoặc tối thường dễ gây ra tai nạn.
- Không vận hành dụng cụ máy trong môi trường cháy nổ, ví dụ như môi trường có sự hiện diện của các chất lỏng, khí hoặc bụi dễ cháy.** Các dụng cụ máy tạo tia lửa điện có thể làm bụi hoặc khí bốc cháy.

- Giữ trẻ em và người ngoài tránh xa nơi làm việc khi đang vận hành dụng cụ máy.** Sự xao lãng có thể khiến bạn mất khả năng kiểm soát.

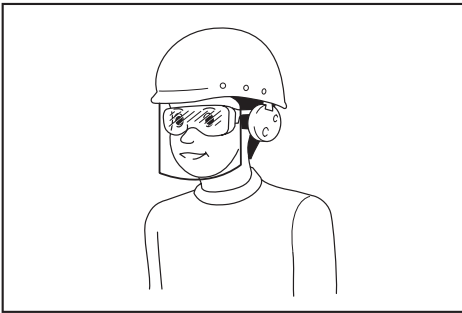
An toàn về Điện

- Phích cắm của dụng cụ máy phải khớp với ổ cắm. Không được sửa đổi phích cắm theo bất kỳ cách nào. Không sử dụng bất kỳ phích chuyển đổi nào với các dụng cụ máy được nối đất (tiếp đất).** Các phích cắm còn nguyên vẹn và ổ cắm phù hợp sẽ giảm nguy cơ điện giật.
- Tránh để cơ thể tiếp xúc với các bề mặt nóng đất hoặc tiếp đất như đường ống, bộ tản nhiệt, bếp ga và tủ lạnh.** Nguy cơ bị điện giật sẽ tăng lên nếu cơ thể bạn được nối đất hoặc tiếp đất.
- Không để dụng cụ máy tiếp xúc với mưa hoặc trong điều kiện ẩm ướt.** Nước lọt vào dụng cụ máy sẽ làm tăng nguy cơ điện giật.
- Không lạm dụng dây điện.** Không được phép sử dụng dây để mang, kéo hoặc tháo phích cắm dụng cụ máy. Giữ dây tránh xa nguồn nhiệt, dầu, các mép sắc hoặc các bộ phận chuyển động. Dây bị hỏng hoặc bị rối sẽ làm tăng nguy cơ điện giật.
- Khí vận hành dụng cụ máy ngoài trời, hãy sử dụng dây kéo dài phù hợp cho việc sử dụng ngoài trời.** Việc dùng dây phù hợp cho việc sử dụng ngoài trời sẽ giảm nguy cơ điện giật.
- Nếu bắt buộc phải vận hành dụng cụ máy ở nơi ẩm ướt, hãy sử dụng nguồn cấp điện được bảo vệ bằng thiết bị ngắt dòng điện rò (RCD).** Việc sử dụng RCD sẽ làm giảm nguy cơ điện giật.
- Các dụng cụ máy có thể tạo ra từ trường điện (EMF) có hại cho người dùng.** Tuy nhiên, người dùng máy trợ tim và những thiết bị y tế tương tự khác nên liên hệ với nhà sản xuất thiết bị và/hoặc bác sỹ để được tư vấn trước khi vận hành dụng cụ này.

An toàn Cá nhân

- Luôn tỉnh táo, quan sát những việc bạn đang làm và sử dụng những phán đoán theo kinh nghiệm khi vận hành dụng cụ máy. Không sử dụng dụng cụ máy khi bạn đang mệt mỏi hoặc chịu ảnh hưởng của ma túy, rượu hay thuốc.** Chỉ một khoảnh khắc không tập trung khi đang vận hành dụng cụ máy cũng có thể dẫn đến thương tích cá nhân nghiêm trọng.
- Sử dụng thiết bị bảo hộ cá nhân. Luôn đeo thiết bị bảo vệ mắt.** Các thiết bị bảo hộ như mặt nạ chống bụi, giày an toàn chống trượt, mũ bảo hộ hay thiết bị bảo vệ thính giác được sử dụng trong các điều kiện thích hợp sẽ giúp giảm thương tích cá nhân.
- Tránh vô tình khởi động dụng cụ máy. Đảm bảo công tắc ở vị trí off (tắt) trước khi nối nguồn điện và/hoặc bộ pin, cầm hoặc di chuyển dụng cụ máy.** Việc di chuyển dụng cụ máy khi đang đặt ngón tay ở vị trí công tắc hoặc cấp điện cho dụng cụ máy đang bật thường dễ gây ra tai nạn.
- Tháo tất cả các khóa hoặc cờ lê điều chỉnh trước khi bật dụng cụ máy.** Việc cờ lê hoặc khóa vẫn còn gắn vào bộ phận quay của dụng cụ máy có thể dẫn đến thương tích cá nhân.

5. **Không với quá cao. Luôn giữ thăng bằng tốt và có chỗ để chân phù hợp.** Điều này cho phép điều khiển dụng cụ máy tốt hơn trong những tình huống bất ngờ.
6. **Ăn mặc phù hợp. Không mặc quần áo rộng hay đeo đồ trang sức. Giữ tóc và quần áo tránh xa các bộ phận chuyển động.** Quần áo rộng, đồ trang sức hay tóc dài có thể mắc vào các bộ phận chuyển động.
7. **Nếu các thiết bị được cung cấp để kết nối các thiết bị thu gom và hút bụi, hãy đảm bảo chúng được kết nối và sử dụng hợp lý.** Việc sử dụng thiết bị thu gom bụi có thể làm giảm những mối nguy hiểm liên quan đến bụi.
8. **Không vì quen thuộc do thường xuyên sử dụng các dụng cụ mà cho phép bạn trở nên tự mãn và bỏ qua các nguyên tắc an toàn dụng cụ.** Một hành động bất cẩn có thể gây ra thương tích nghiêm trọng trong một phần của một giây.
9. **Luôn luôn mang kính bảo hộ để bảo vệ mắt khỏi bị thương khi đang sử dụng các dụng cụ máy. Kính bảo hộ phải tuân thủ ANSI Z87.1 ở Mỹ, EN 166 ở Châu Âu, hoặc AS/NZS 1336 ở Úc/New Zealand. Tại Úc/New Zealand, theo luật pháp, bạn cũng phải mang mặt nạ che mặt để bảo vệ mắt.**



Trách nhiệm của chủ lao động là bắt buộc người vận hành dụng cụ và những người khác trong khu vực làm việc cạnh đó phải sử dụng các thiết bị bảo hộ an toàn thích hợp.

Sử dụng và bảo quản dụng cụ máy

1. **Không dùng lực đối với dụng cụ máy. Sử dụng đúng dụng cụ máy cho công việc của bạn.** Sử dụng đúng dụng cụ máy sẽ giúp thực hiện công việc tốt hơn và an toàn hơn theo giá trị định mức được thiết kế của dụng cụ máy đó.
 2. **Không sử dụng dụng cụ máy nếu công tắc không bật và tắt được dụng cụ máy đó.** Mọi dụng cụ máy không thể điều khiển được bằng công tắc đều rất nguy hiểm và phải được sửa chữa.
 3. **Rút phích cắm ra khỏi nguồn điện và/hoặc tháo kết nối bộ pin khỏi dụng cụ máy, nếu có thể tháo rời trước khi thực hiện bất kỳ công việc điều chỉnh, thay đổi phụ tùng hay cất giữ dụng cụ máy nào.** Những biện pháp an toàn phòng ngừa này sẽ giảm nguy cơ vô tình khởi động dụng cụ máy.
4. **Cất giữ các dụng cụ máy không sử dụng ngoài tầm với của trẻ em và không cho bất kỳ người nào không có hiểu biết về dụng cụ máy hoặc các hướng dẫn này vận hành dụng cụ máy.** Dụng cụ máy sẽ rất nguy hiểm nếu được sử dụng bởi những người dùng chưa qua đào tạo.
 5. **Bảo dưỡng dụng cụ máy và các phụ kiện. Kiểm tra tình trạng lệch trục hoặc bó kẹt của các bộ phận chuyển động, hiện tượng nứt vỡ của các bộ phận và mọi tình trạng khác mà có thể ảnh hưởng đến hoạt động của dụng cụ máy. Nếu có hỏng hóc, hãy sửa chữa dụng cụ máy trước khi sử dụng.** Nhiều tai nạn xảy ra là do không bảo quản tốt dụng cụ máy.
 6. **Luôn giữ cho dụng cụ cắt được sắc bén và sạch sẽ.** Những dụng cụ cắt được bảo quản tốt có mép cắt sắc sẽ ít bị kẹt hơn và dễ điều khiển hơn.
 7. **Sử dụng dụng cụ máy, phụ tùng và đầu dụng cụ cắt, v.v... theo các hướng dẫn này, có tính đến điều kiện làm việc và công việc được thực hiện.** Việc sử dụng dụng cụ máy cho các công việc khác với công việc dự định có thể gây nguy hiểm.
 8. **Giữ tay cầm và bề mặt tay cầm khô, sạch, không dính dầu và mỡ.** Tay cầm trơn trượt và bề mặt tay cầm không cho phép xử lý an toàn và kiểm soát dụng cụ trong các tình huống bất ngờ.
 9. **Khi sử dụng dụng cụ, không được đi giày tay lao động bằng vải, có thể bị vướng.** Việc giày tay lao động bằng vải vướng vào các bộ phận chuyển động có thể gây ra thương tích cá nhân.

Sử dụng và bảo quản dụng cụ dùng pin

1. **Chỉ sạc pin lại với bộ sạc do nhà sản xuất quy định.** Bộ sạc phù hợp với một loại bộ pin này có thể gây ra nguy cơ hỏa hoạn khi được dùng cho một bộ pin khác.
2. **Chỉ sử dụng các dụng cụ máy với các bộ pin được quy định cụ thể.** Việc sử dụng bất cứ bộ pin nào khác có thể gây ra thương tích và hỏa hoạn.
3. **Khi không sử dụng bộ pin, hãy giữ tránh xa các đồ vật khác bằng kim loại, chẳng hạn như kẹp giấy, tiền xu, chìa khóa, đinh, ốc vít hoặc các vật nhỏ bằng kim loại mà có thể làm nối tất cả các đầu cực pin.** Các đầu cực pin bị đoản mạch có thể gây cháy hoặc hỏa hoạn.
4. **Trong điều kiện sử dụng quá mức, pin có thể bị cháy nước; hãy tránh tiếp xúc. Nếu vô tình tiếp xúc với pin bị cháy nước, hãy rửa sạch bằng nước. Nếu dung dịch từ pin tiếp xúc với mắt, cần đi khám bác sĩ thêm.** Dung dịch chảy ra từ pin có thể gây rất da hoặc bỏng.
5. **Không sử dụng bộ pin hoặc dụng cụ bị hư hỏng hoặc đã bị sửa đổi.** Pin đã bị hư hỏng hoặc đã bị sửa đổi có thể hành động theo cách không thể đoán trước dẫn đến cháy, nổ hoặc nguy cơ chấn thương.
6. **Không để bộ pin hoặc dụng cụ tiếp xúc với lửa hoặc nhiệt độ quá cao.** Tiếp xúc với lửa hoặc nhiệt độ trên 130 °C có thể gây ra cháy nổ.

7. **Làm theo tất cả các hướng dẫn sạc pin và không được sạc bộ pin hoặc dụng cụ vượt giới hạn nhiệt độ quy định trong hướng dẫn.** Sạc pin không đúng hoặc ở nhiệt độ vượt giới hạn nhiệt độ có thể gây hư hỏng cho pin và làm tăng nguy cơ cháy.

Bảo dưỡng

1. **Đề nhân viên sửa chữa đủ trình độ bảo dưỡng dụng cụ máy của bạn và chỉ sử dụng các bộ phận thay thế đồng nhất.** Việc này sẽ đảm bảo duy trì được độ an toàn của dụng cụ máy.
2. **Không bao giờ sử dụng bộ pin đã hỏng.** Dịch vụ bảo hành bộ pin chỉ nên thực hiện bởi nhà sản xuất hoặc các nhà cung cấp dịch vụ được ủy quyền.
3. **Tuân theo hướng dẫn dành cho việc bôi trơn và thay phụ tùng.**

Cảnh báo an toàn về máy mài góc chạy pin

Cảnh báo an toàn chung cho các thao tác mài, chà nhám, đánh bàn chải kim loại, hoặc cắt nhám:

1. **Dụng cụ máy này có chức năng như một máy mài, máy chà nhám, chổi sắt kim loại hoặc dụng cụ cắt.** Xin đọc tất cả các cảnh báo an toàn, hướng dẫn, minh họa và thông số kỹ thuật đi kèm với dụng cụ máy này. Việc không tuân theo các hướng dẫn được liệt kê dưới đây có thể dẫn đến điện giật, hỏa hoạn và/hoặc thương tích nghiêm trọng.
2. **Các thao tác như đánh bóng không được khuyến khích thực hiện bằng dụng cụ máy này.** Các thao tác mà dụng cụ máy này không được thiết kế để thực hiện có thể tạo ra nguy hiểm và gây thương tích cá nhân.
3. **Không được dùng các phụ kiện không được thiết kế đặc biệt và không theo khuyến cáo của nhà sản xuất dụng cụ.** Bởi nếu có thể gắn phụ kiện đó vào dụng cụ máy của bạn thì điều đó hoàn toàn không đảm bảo việc vận hành máy an toàn.
4. **Tốc độ định mức của phụ kiện ít nhất phải bằng tốc độ tối đa được đánh dấu trên dụng cụ máy này.** Các phụ kiện chạy nhanh hơn tốc độ định mức của chúng có thể bị vỡ và bay ra ngoài.
5. **Đường kính bên ngoài và độ dày của phụ kiện phải nằm trong mức đánh giá công suất của dụng cụ máy của bạn.** Các phụ kiện có kích thước không chính xác không thể được bảo vệ hoặc kiểm soát một cách đầy đủ.
6. **Lắp ren của phụ kiện phải khớp với ren của trụ quay máy mài.** Đối với các phụ kiện được gắn bằng mặt bích, lỗ trục tâm của phụ kiện đó phải vừa khít với đường kính định vị của mặt bích. Các phụ kiện không khớp với phần kim loại lắp ghép của dụng cụ máy sẽ bị mất cân bằng, rung động quá mức và có thể gây ra mất kiểm soát.
7. **Không sử dụng phụ kiện đã hư hỏng.** Trước mỗi lần sử dụng, kiểm tra phụ kiện như đĩa nhám xem có các mặt vụn và vết nứt hay không, tấm đặt lót xem có nứt gãy hoặc bị ăn mòn quá mức không, sợi kim loại của chổi sắt kim loại có bị lỏng hoặc nứt không. Nếu dụng cụ máy hoặc phụ kiện bị rơi, hãy kiểm tra hư hỏng hoặc lắp lại phụ kiện không bị hư hại. Sau khi kiểm tra và cài đặt phụ kiện, hãy tìm chỗ đứng cho bản thân mình và những người xung quanh để tránh xa mặt phẳng phụ kiện quay và chạy dụng cụ máy này ở tốc độ không tải tối đa trong vòng một phút. Phụ kiện bị hư hỏng thông thường sẽ bị vỡ trong thời gian thử nghiệm này.
8. **Mang thiết bị bảo hộ cá nhân.** Tùy thuộc vào việc sử dụng máy, hãy dùng mặt nạ bảo vệ mặt, kính bảo hộ hoặc kính an toàn. Khí thích hợp, hãy mang mặt nạ chống bụi, dụng cụ bảo vệ thính giác, găng tay và tạp dề làm việc có khả năng ngăn chặn các mảnh mài mòn hoặc mảnh vỡ từ vật gia công. Thiết bị bảo vệ mắt phải có khả năng ngăn chặn các mảnh vụn bay ra phát sinh bởi các hoạt động khác nhau. Mặt nạ chống bụi hoặc khẩu trang phải có khả năng lọc được các hạt tạo ra bởi hoạt động của bạn. Tiếp xúc kéo dài với tiếng ồn có cường độ cao có thể gây ra mất thính giác.
9. **Giữ những người xung quanh tránh xa nơi làm việc một khoảng cách an toàn.** Bất cứ ai bước vào khu vực làm việc đều phải đeo thiết bị bảo hộ cá nhân. Các mảnh vỡ của phôi gia công hoặc phụ kiện bị vỡ có thể bắn ra và gây thương tích bên ngoài khu vực thao tác cạnh đó.
10. **Chỉ cầm dụng cụ máy bằng bề mặt tay cầm cách điện khi thực hiện một thao tác trong đó dụng cụ cắt có thể tiếp xúc với dây điện ngầm.** Tiếp xúc với dây dẫn "có điện" có thể khiến các bộ phận kim loại bị hở của dụng cụ máy "có điện" và có thể làm cho người vận hành bị điện giật.
11. **Không bao giờ đặt dụng cụ máy xuống cho đến khi phụ kiện đã dừng hẳn.** Phụ kiện quay có thể quán lấy bề mặt và kéo công cụ máy vượt khỏi tầm kiểm soát của bạn.
12. **Không được chạy dụng cụ máy trong lúc đang mang bên hông bạn.** Tiếp xúc bất ngờ với phụ kiện quay có thể quán lấy quần áo của bạn, kéo phụ kiện vào và người bạn.
13. **Thường xuyên làm sạch các lỗ thông hơi của dụng cụ máy.** Quạt của động cơ sẽ thu hút bụi vào bên trong vỏ và nhiều bột kim loại tích tụ có thể gây ra các nguy hiểm về điện.
14. **Không vận hành công cụ máy gần các vật liệu dễ cháy.** Các tia lửa có thể kích cháy các vật liệu này.
15. **Không sử dụng các phụ kiện có yêu cầu chất làm mát dạng lỏng.** Sử dụng chất làm mát bằng nước hoặc chất lỏng khác có thể dẫn đến điện giật hoặc sốc.

Lực đẩy ngược và Cảnh báo Liên quan

Lực đẩy ngược là phản ứng bất ngờ đối với đĩa mài, tằm đặt lót, chổi hoặc bất cứ phụ kiện nào khác đang quay nhưng bị kẹt hoặc bị quấn. Việc bị kẹt hoặc quấn sẽ làm phụ kiện đang quay bị dừng nhanh chóng và do đó dụng cụ máy không kiểm soát được sẽ bị buộc phải theo hướng đối diện hướng quay của phụ kiện tại điểm bị ràng buộc.

Ví dụ, nếu đĩa nhám bị quấn hoặc kẹt bởi phôi gia công, phần mép của đĩa đang đi vào điểm kẹt có thể cày xới bề mặt vật liệu làm đĩa nhám trượt hoặc văng ra ngoài. Đĩa nhám có thể hoặc bật ra về gần hoặc xa khỏi người vận hành, tùy thuộc vào hướng chuyển động của đĩa nhám tại điểm kẹt. Đĩa nhám cũng có thể bị vỡ trong những tình trạng sau.

Lực đẩy ngược là kết quả của việc sử dụng dụng cụ máy không đúng và/hoặc do các quy trình vận hành hoặc các điều kiện không chính xác và có thể tránh được bằng cách thực hiện các biện pháp phòng ngừa thích hợp như được nêu dưới đây.

- Nắm giữ chắc dụng cụ máy và chọn thế đứng và vị trí tay cầm để cho phép bạn chống lại lực đẩy ngược. Luôn luôn sử dụng tay cầm phụ, nếu được cung cấp, để kiểm soát tối đa lực đẩy ngược hoặc mô-men xoắn trong lúc khởi động.** Người vận hành máy có thể kiểm soát mô-men xoắn hay lực đẩy ngược nếu thực hiện các biện pháp phòng ngừa đúng cách.
- Không bao giờ đặt tay bạn gần phụ kiện quay.** Phụ kiện có thể quạt ngược lại lên tay bạn.
- Không đứng tại vị trí nơi dụng cụ máy sẽ bị đẩy tới nếu xảy ra lực đẩy ngược.** Lực đẩy ngược sẽ làm xoay dụng cụ theo hướng ngược lại chuyển động của đĩa mài tại vị trí bị quấn.
- Cần đặc biệt cẩn thận khi thao tác với các cạnh góc, mép sắc, v.v... Tránh làm dội ra và quần vào phụ kiện.** Các góc, mép sắc hoặc đội ra có xu hướng làm quần lấy phụ kiện đang quay và gây mất kiểm soát hoặc tạo lực đẩy ngược.
- Không được gắn lưỡi cưa xích khắc gỗ hoặc lưỡi cưa răng.** Các loại lưỡi như vậy thường tạo ra lực đẩy ngược và dễ mất kiểm soát.

Cảnh báo an toàn cụ thể cho thao tác mài và cắt nhám:

- Chỉ sử dụng các loại đĩa mài được khuyến nghị cho dụng cụ máy của bạn và phần bảo vệ cụ thể được thiết kế cho đĩa mài được chọn.** Các đĩa mài mà dụng cụ máy này không được thiết kế cho chúng sẽ không thể được bảo vệ đầy đủ và thường không an toàn.
- Bề mặt tay cầm của đĩa mài trung tâm bị nén xuống phải được gắn dưới mặt phẳng của mép phần bảo vệ.** Đĩa mài gắn không đúng cách nhô ra khỏi mặt phẳng của mép phần bảo vệ sẽ không thể được bảo vệ đầy đủ.
- Phần bảo vệ phải được gắn chặt vào dụng cụ máy và được để ở vị trí an toàn tối đa, do đó số đĩa mài tiếp xúc với người vận hành là ít nhất.** Phần bảo vệ giúp bảo vệ người vận hành khỏi mảnh vỡ từ đĩa mài bị vỡ, tiếp xúc bất ngờ với đĩa mài và các tia lửa có thể kích cháy quần áo.

- Chỉ sử dụng đĩa mài cho các ứng dụng được khuyến nghị.** Ví dụ: không mài mặt bên của đĩa mài cắt. Đĩa mài cắt nhám được dùng để mài ngoại vi, tác dụng lực mặt bên lên những đĩa mài này có thể khiến chúng vỡ vụn.
- Luôn luôn sử dụng mặt bích đĩa mài không bị hư hại có kích thước và hình dạng chính xác cho đĩa mài bạn đã chọn.** Các mặt bích đĩa mài phù hợp sẽ hỗ trợ đĩa mài giảm bớt khả năng bị vỡ đĩa mài. Các mặt bích dành cho đĩa cắt có thể khác với các mặt bích dành cho đĩa mài.
- Không sử dụng các đĩa đã bị mài mòn từ các dụng cụ máy lớn hơn.** Đĩa mài dùng cho dụng cụ máy lớn hơn sẽ không phù hợp với tốc độ cao hơn của dụng cụ nhỏ và có thể nổ.

Cảnh báo an toàn bổ sung chỉ định cho thao tác cắt nhám:

- Không làm "kẹt" đĩa cắt hoặc dùng lực quá nhiều.** Không cố thực hiện chiều sâu cắt quá mức. Dùng lực quá nhiều lên đĩa mài sẽ làm tăng tải trọng và dễ bị xoắn hoặc bó kẹt đĩa mài khi cắt và có khả năng đẩy ngược hoặc bị vỡ đĩa mài.
- Không được để cơ thể bạn thẳng hàng và phía sau đĩa mài đang quay.** Khi đĩa mài, ở điểm vận hành, đang di chuyển ra xa cơ thể bạn, lực bật ngược có thể xảy ra có thể có thể đẩy đĩa mài quay và dụng cụ máy trực tiếp về phía bạn.
- Khi đĩa mài bị bó kẹt hoặc khi đường cắt bị gián đoạn vì bất kỳ lý do nào, hãy tắt dụng cụ máy và giữ dụng cụ máy đứng im cho đến khi đĩa mài hoàn toàn dừng lại.** Không được cố gỡ đĩa cắt ra khỏi đường cắt khi đĩa mài vẫn đang chuyển động nếu không có thể xảy ra hiện tượng bật ngược lại. Kiểm tra và tiến hành khắc phục để loại bỏ nguyên nhân gây bó kẹt đĩa mài.
- Không khởi động lại thao tác cắt trong phôi gia công.** Để đĩa mài đạt đến tốc độ tối đa và cẩn thận nhập lại đường cắt. Đĩa mài có thể bị bó kẹt, bật lên hoặc bật ngược lại nếu dụng cụ máy được khởi động lại trong phôi gia công.
- Đỡ tằm ván hoặc phôi gia công có kích thước quá lớn để giảm thiểu nguy cơ làm kẹt bó đĩa và bật ngược lại.** Phôi gia công lớn thường có xu hướng vồng xuống do khối lượng của nó. Phải đặt các giá đỡ dưới phôi gia công gần đường cắt và gần cạnh của phôi gia công ở cả hai phía của đĩa mài.
- Đặc biệt cẩn trọng khi thực hiện "cắt luân" vào các dụng cụ sản hoặc các vùng khó nhìn khác.** Đĩa mài nhỏ ra có thể cắt vào ống ga hoặc ống nước, dây điện hoặc các vật có khả năng gây nên hiện tượng bật lại.

Cảnh báo an toàn chỉ định cho thao tác chà nhám:

- Không sử dụng giấy chà nhám dạng đĩa có khổ quá lớn.** Làm theo các khuyến nghị của nhà sản xuất khi lựa chọn giấy nhám. Giấy nhám lớn hơn vượt ra khỏi tầm đánh nhám sẽ dễ gây nguy hiểm rách giấy và có thể gây quần, xé rách đĩa hoặc tạo lực đẩy ngược.

Cảnh báo an toàn chỉ định cho thao tác đánh bàn chải kim loại:

1. Cần biết rằng các sợi lông cứng bằng kim loại sẽ bị văng ra khỏi chổi ngay cả trong quá trình vận hành bình thường. Không dùng lực ứng suất vượt tải lên sợi kim loại bằng cách áp tải quá mức lên chổi. Các sợi lông cứng bằng kim loại có thể dễ dàng xuyên qua quần áo mỏng và/hoặc da.
2. Nếu sử dụng phần bảo vệ được khuyến nghị để đánh bàn chải kim loại, không để cho bất kỳ đĩa sợi hoặc chổi sắt nào vướng vào phần bảo vệ. Đĩa sợi hoặc chổi sắt có thể mở rộng đường kính do tải trọng công việc và lực ly tâm.

Cảnh báo an toàn bổ sung:

1. Khi sử dụng đĩa mài trung tâm bị nén xuống, hãy chắc chắn là bạn chỉ sử dụng đĩa mài có sợi thủy tinh gia cố.
2. **KHÔNG BAO GIỜ SỬ DỤNG** đĩa mài loại Nắp chụp bằng đá cho máy mài này. Máy mài này không được thiết kế cho những loại đĩa mài này và việc sử dụng một sản phẩm như vậy có thể gây thương tích cá nhân nghiêm trọng.
3. **Cẩn thận không được làm hỏng trụ quay, mặt bích (đặc biệt là bề mặt lắp đặt) hoặc đai ốc khóa.** Hư hỏng đối với một các bộ phận này có thể dẫn đến vỡ đĩa mài.
4. Phải đảm bảo rằng đĩa mài không tiếp xúc với phôi gia công trước khi bật công tắc lên.
5. Trước khi sử dụng dụng cụ này trên phôi gia công thực, hãy để dụng cụ chạy trong ít phút. Theo dõi sự rung động hoặc đu đưa qua lại có thể cho thấy việc lắp đặt không đạt yêu cầu hoặc đĩa mài được cân bằng kém.
6. Sử dụng bề mặt của đầu mài chỉ định để thực hiện mài.
7. Không để mặt dụng cụ hoạt động. Chỉ vận hành dụng cụ khi cầm trên tay.
8. Không chạm vào phôi gia công ngay sau khi vận hành; chúng có thể rất nóng và có thể gây bỏng da.
9. Tuân thủ các hướng dẫn của nhà sản xuất để gắn và sử dụng chính xác các đĩa mài. Xử lý và lưu trữ các đĩa mài cẩn thận.
10. Không sử dụng các ống đệm giảm thiểu rung động hoặc các bộ tiếp nối để lắp các đĩa nhám có lỗ lớn vào.
11. Chỉ sử dụng các mặt bích được quy định cho dụng cụ này.
12. Đối với các dụng cụ dự định sẽ được trang bị đĩa mài lỗ có ren, đảm bảo rằng các ren trong đĩa mài đủ dài để chấp nhận chiều dài trục quay.
13. Kiểm tra xem phôi gia công đã được kê đỡ đầy đủ chưa.
14. **Chú ý rằng đĩa mài sẽ tiếp tục quay sau khi tắt dụng cụ.**
15. Nếu nơi làm việc rất nóng và ẩm ướt, hoặc bị ô nhiễm nặng bởi bụi dẫn điện, hãy dùng bộ ngắt điện đoàn mạch (30 mA) để bảo đảm an toàn cho người vận hành.
16. Không dùng dụng cụ này trên bất kỳ vật liệu nào có chứa amiăng.

17. Khi sử dụng đĩa cát, luôn làm việc bằng phần bảo vệ đĩa gom bụi bắt buộc theo quy định trong nước.
18. Đĩa cát không phải chịu bất kỳ áp lực bên nào.
19. Không sử dụng gắng tay làm việc bằng vải trong khi vận hành. Sợi từ gắng tay bằng vải có thể đi vào dụng cụ, làm dụng cụ hư hỏng.

LƯU GIỮ CÁC HƯỚNG DẪN NÀY.

▲CẢNH BÁO: KHÔNG vì đã thoải mái hay quen thuộc với sản phẩm (có được do sử dụng nhiều lần) mà không tuân thủ nghiêm ngặt các quy định về an toàn dành cho sản phẩm này. **VIỆC DÙNG SAI** hoặc không tuân theo các quy định về an toàn được nêu trong tài liệu hướng dẫn này có thể dẫn đến thương tích cá nhân nghiêm trọng.

Hướng dẫn quan trọng về an toàn dành cho hộp pin

1. Trước khi sử dụng hộp pin, hãy đọc kỹ tất cả các hướng dẫn và dấu hiệu cảnh báo trên (1) bộ sạc pin, (2) pin và (3) sản phẩm sử dụng pin.
2. Không tháo rời hộp pin.
3. Nếu thời gian vận hành ngắn hơn quá mức, hãy ngừng vận hành ngay lập tức. Điều này có thể dẫn đến rui ro quá nhiệt, có thể gây bỏng và thậm chí là nổ.
4. Nếu chất điện phân rơi vào mắt, hãy rửa sạch bằng nước sạch và đến cơ sở y tế ngay lập tức. Chất này có thể khiến bạn giảm thị lực.
5. Không để hộp pin ở tình trạng đoản mạch:
 - (1) Không chạm vào cực pin bằng vật liệu dẫn điện.
 - (2) Tránh cất giữ hộp pin trong hộp có các vật kim loại khác như đinh, tiền xu, v.v...
 - (3) Không được để hộp pin tiếp xúc với nước hoặc mưa.Đoản mạch pin có thể gây ra dòng điện lớn, quá nhiệt, có thể gây bỏng và thậm chí là hỏng hóc.
6. Không cất giữ dụng cụ và hộp pin ở nơi nhiệt độ có thể lên tới hoặc vượt quá 50°C.
7. Không đốt hộp pin ngay cả khi hộp pin đã bị hư hại nặng hoặc hư hỏng hoàn toàn. Hộp pin có thể nổ khi tiếp xúc với lửa.
8. Hãy cẩn trọng không làm rơi hoặc làm méo pin.
9. Không sử dụng pin đã hỏng.
10. Pin nén lithium-ion là đối tượng có yêu cầu bắt buộc theo Luật Hàng hoá Nguy hiểm. Đối với vận tải thương mại, ví dụ như vận tải do bên thứ ba, đại lý giao nhận, thì yêu cầu đặc biệt về đóng gói và nhãn ghi phải được giám sát. Để chuẩn bị cho mặt hàng cần vận chuyển, cần phải tham khảo ý kiến chuyên gia về vật liệu nguy hiểm. Nếu được, vui lòng tuân thủ các quy định quốc gia chi tiết hơn. Buộc hoặc niêm phong các tiếp điểm mở và đóng gói pin theo cách đó để nó không thể di chuyển trong bao bì.

11. Khi rút bỏ hộp pin, hãy tháo chúng khỏi dụng cụ và thải bỏ ở nơi an toàn. Phải tuân thủ theo các quy định của địa phương liên quan đến việc thải bỏ pin.
12. Chỉ sử dụng pin cho các sản phẩm Makita chỉ định. Lắp pin vào sản phẩm không thích hợp có thể gây ra hoả hoạn, quá nhiệt, nổ, hoặc rò chất điện phân.
13. Nếu dụng cụ không được sử dụng trong một thời gian dài, cần phải tháo pin ra khỏi dụng cụ.
9. Thiết bị thu và phát không dây có thể tạo ra từ trường điện (EMF) nhưng không có hại cho người dùng.
10. Thiết bị thu và phát không dây là một dụng cụ chính xác. Hãy cẩn trọng không làm rơi hoặc va đập thiết bị thu và phát không dây.
11. Tránh chạm vào điện cực của thiết bị thu và phát không dây bằng tay trần hoặc vật liệu kim loại.
12. Luôn tháo pin ra khỏi sản phẩm khi lắp đặt thiết bị thu và phát không dây vào sản phẩm.
13. Khi mở nắp khe, hãy tránh nơi có bụi và nước có thể lọt vào khe. Luôn giữ sạch đầu vào của khe.
14. Luôn lắp thiết bị thu và phát không dây vào đúng hướng.
15. Không nhấn nút kích hoạt không dây trên thiết bị thu và phát không dây quá chặt và/hoặc nhấn nút bằng một vật có cạnh mép sắc.
16. Luôn đóng nắp khe khi vận hành.
17. Không tháo thiết bị thu và phát không dây khỏi khe trong khi dụng cụ đang được cấp điện. Làm như vậy có thể khiến thiết bị thu và phát không dây bị hỏng.
18. Không gỡ bỏ nhãn trên thiết bị thu và phát không dây.
19. Không được dán bất kỳ nhãn nào lên thiết bị thu và phát không dây.
20. Không để thiết bị thu và phát không dây ở những nơi có thể tạo ra tĩnh điện hoặc nhiễu điện.
21. Không được để thiết bị thu và phát không dây ở những nơi tiếp xúc với nguồn nhiệt cao, như trong ô tô dưới trời nắng.
22. Không để thiết bị thu và phát không dây ở những nơi có bụi hoặc bột hoặc ở những nơi tạo ra khí ăn mòn.
23. Thay đổi nhiệt độ đột ngột có thể làm thiết bị thu và phát không dây bị tụ hơi nước. Không sử dụng thiết bị thu và phát không dây cho đến khi nước ngưng tụ khô hoàn toàn.
24. Khi vệ sinh thiết bị thu và phát không dây, hãy lau nhẹ nhàng bằng vải mềm khô. Không sử dụng et xăng, dung môi, dầu mỡ dẫn hoặc tương tự.
25. Khi bảo quản thiết bị thu và phát không dây, hãy cất giữ thiết bị trong hộp đựng được giao kèm hoặc hộp chống tĩnh điện.
26. Không được lắp bất kỳ thiết bị nào ngoài thiết bị thu và phát không dây Makita vào khe trên dụng cụ.
27. Không sử dụng dụng cụ có nắp khe bị hư hỏng. Nước, bụi bắn lọt vào khe có thể gây ra sự cố.
28. Không kéo và/hoặc vận nắp khe nếu không cần thiết. Lắp lại nắp nếu nó rơi ra khỏi dụng cụ.
29. Thay thế nắp khe nếu bị mất hoặc hư hỏng.

LƯU GIỮ CÁC HƯỚNG DẪN NÀY.

⚠ THẬN TRỌNG: Chỉ sử dụng pin Makita chính hãng. Việc sử dụng pin không chính hãng Makita, hoặc pin đã được sửa đổi, có thể dẫn đến nổ pin gây ra cháy, thương tích và thiệt hại cá nhân. Nó cũng sẽ làm mất hiệu lực bảo hành của Makita dành cho dụng cụ của Makita và bộ sạc.

Mẹo duy trì tuổi thọ tối đa cho pin

1. Sạc hộp pin trước khi pin bị xả điện hoàn toàn. Luôn dừng việc vận hành dụng cụ và sạc pin khi bạn nhận thấy công suất dụng cụ bị giảm.
2. Không được phép sạc lại một hộp pin đã được sạc đầy. Sạc quá mức sẽ làm giảm tuổi thọ của pin.
3. Sạc pin ở nhiệt độ phòng 10°C - 40°C. Để cho hộp pin nóng nguội lại dần trước khi sạc pin.
4. Sạc pin sáu tháng một lần nếu bạn không sử dụng dụng cụ trong một thời gian dài (hơn sáu tháng).

Hướng dẫn quan trọng về an toàn dành cho thiết bị thu và phát không dây

1. Không tháo rời hoặc làm thay đổi thiết bị thu và phát không dây.
2. Giữ thiết bị thu và phát không dây tránh xa trẻ em. Nếu vô tình nuốt phải, hãy đến cơ sở y tế ngay lập tức.
3. Chỉ sử dụng thiết bị thu và phát không dây với các dụng cụ Makita.
4. Không để thiết bị thu và phát không dây tiếp xúc với mưa hoặc điều kiện ẩm ướt.
5. Không sử dụng thiết bị thu và phát không dây ở những nơi nhiệt độ vượt quá 50°C.
6. Không vận hành thiết bị thu và phát không dây ở những nơi gần các dụng cụ y tế, chẳng hạn như máy tạo nhịp tim.
7. Không vận hành thiết bị thu và phát không dây ở những nơi gần các thiết bị tự động. Nếu vận hành, các thiết bị tự động có thể phát sinh sự cố hoặc bị lỗi.
8. Không để thiết bị thu và phát không dây ở những nơi chịu nhiệt độ cao hoặc nơi có thể tạo ra tĩnh điện hoặc nhiễu điện.

LƯU GIỮ CÁC HƯỚNG DẪN NÀY.

MÔ TẢ CHỨC NĂNG

⚠ THẬN TRỌNG: Luôn đảm bảo rằng đã tắt dụng cụ và tháo hộp pin ra trước khi thực hiện việc điều chỉnh hoặc kiểm tra chức năng trên dụng cụ.

Lắp hoặc tháo hộp pin

⚠ THẬN TRỌNG: Luôn tắt dụng cụ trước khi lắp hoặc tháo hộp pin.

⚠ THẬN TRỌNG: Giữ dụng cụ và hộp pin thật chắc khi lắp hoặc tháo hộp pin. Không giữ dụng cụ và hộp pin thật chắc có thể làm trượt chúng khỏi tay và làm hư hỏng dụng cụ và hộp pin hoặc gây thương tích cá nhân.

► **Hình1:** 1. Đèn chỉ báo màu đỏ 2. Nút 3. Hộp pin

Để tháo hộp pin, vừa trượt pin ra khỏi dụng cụ vừa đẩy trượt nút ở phía trước hộp pin.

Để lắp hộp pin, đặt thẳng hàng phần chốt nhỏ ra của hộp pin vào phần rãnh nằm trên vỏ và trượt hộp pin vào vị trí. Đưa hộp pin vào cho đến khi chốt khóa vào đúng vị trí với một tiếng “cách” nhẹ. Nếu bạn vẫn còn nhìn thấy đèn chỉ báo màu đỏ ở mặt trên của nút, điều đó có nghĩa là chốt vẫn chưa được khóa hoàn toàn.

⚠ THẬN TRỌNG: Luôn lắp hộp pin khớp hoàn toàn vào vị trí cho đến khi không thể nhìn thấy đèn chỉ báo màu đỏ. Nếu không, hộp pin có thể vô tình rơi ra khỏi dụng cụ, gây thương tích cho bạn hoặc người khác xung quanh.

⚠ THẬN TRỌNG: Không được dùng sức lắp hộp pin. Nếu hộp pin không nhẹ nhàng trượt vào vị trí, có nghĩa là pin vẫn chưa được lắp đúng.

Chỉ báo dung lượng pin còn lại

Chỉ dành cho hộp pin có đèn chỉ báo

► **Hình2:** 1. Các đèn chỉ báo 2. Nút Check (kiểm tra)

Ấn nút check (kiểm tra) trên hộp pin để chỉ báo dung lượng pin còn lại. Các đèn chỉ báo bật sáng lên trong vài giây.

Các đèn chỉ báo			Dung lượng còn lại
Bật sáng	Tắt	Nhấp nháy	
			75% đến 100%
			50% đến 75%
			25% đến 50%
			0% đến 25%
			Sạc pin.
			Pin có thể đã bị hỏng.

LƯU Ý: Tùy thuộc vào các điều kiện sử dụng và nhiệt độ xung quanh, việc chỉ báo có thể khác biệt một chút so với dung lượng thực sự.

Chỉ báo dung lượng pin còn lại

Đặc trưng quốc gia

Khi bạn bật dụng cụ, đèn chỉ báo pin sẽ hiển thị dung lượng pin còn lại.

► **Hình3:** 1. Đèn chỉ báo pin

Dung lượng pin còn lại được trình bày trong bảng sau đây.

Trạng thái đèn chỉ báo pin			Dung lượng pin còn lại
Bật	Tắt	Nhấp nháy	
			50% đến 100%
			20% đến 50%
			0% đến 20%
			Sạc pin

Hệ thống bảo vệ dụng cụ / pin

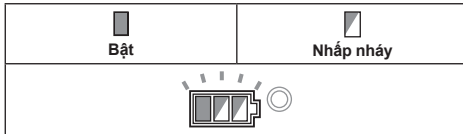
Dụng cụ này được trang bị hệ thống bảo vệ dụng cụ/ pin. Hệ thống này sẽ tự động ngắt nguồn điện đến động cơ để kéo dài tuổi thọ dụng cụ và pin. Dụng cụ sẽ tự động dừng vận hành khi dụng cụ hoặc pin ở một trong những trường hợp sau đây:

Bảo vệ quá tải

Khi vận hành dụng cụ trong điều kiện làm máy tiêu tốn dòng cao bất thường, dụng cụ sẽ tự động dừng lại mà không có bất cứ dấu hiệu nào. Trong trường hợp này, hãy tắt dụng cụ và ngừng ứng dụng làm cho dụng cụ trở nên quá tải. Sau đó bật dụng cụ lên để khởi động lại.

Bảo vệ quá nhiệt

Khi bị quá nhiệt, dụng cụ sẽ tự động dừng và chỉ báo pin cho thấy trạng thái sau. Trong tình huống này, hãy để dụng cụ nguội trở lại trước khi bật dụng cụ lại.



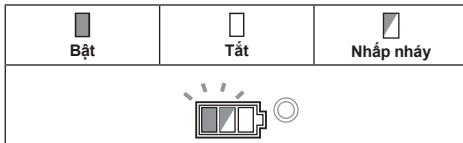
Nếu dụng cụ không khởi động, pin có thể bị quá nhiệt. Trong tình huống này, hãy để pin nguội trở lại trước khi khởi động dụng cụ lại.

Bảo vệ xả điện quá mức

Khi dung lượng pin không đủ, thì dụng cụ sẽ tự động dừng. Trong trường hợp này, hãy tháo pin khỏi dụng cụ và sạc pin lại.

Nhả khóa bảo vệ

Khi hệ thống bảo vệ làm việc liên tục, dụng cụ sẽ bị khóa và đèn chỉ báo pin sẽ cho thấy trạng thái sau. Trong tình huống này, dụng cụ sẽ không khởi động ngay cả khi bật và tắt dụng cụ. Để nhả khóa bảo vệ, hãy tháo pin ra, đặt pin vào cục sạc pin và đợi cho đến khi sạc đầy.



Khóa trục

Nhấn khóa trục để ngăn xoay trục quay khi lắp hoặc tháo phụ kiện.

► **Hình4:** 1. Khóa trục

CHÚ Ý: Không bao giờ kích hoạt khóa trục khi trục đang di chuyển. Dụng cụ có thể bị hư hỏng.

Hoạt động công tắc

⚠ THẬN TRỌNG: Trước khi lắp đặt hộp pin vào dụng cụ, luôn luôn kiểm tra xem cần công tắc có hoạt động bình thường hay không và trả về vị trí “OFF” (TẮT) khi nhả ra.

⚠ THẬN TRỌNG: Để bạn được an toàn, dụng cụ này đều được trang bị cần nhả khóa nhằm ngăn ngừa vô ý khởi động dụng cụ. **KHÔNG BAO GIỜ** sử dụng dụng cụ nếu dụng cụ hoạt động khi bạn chỉ kéo cần khởi động công tắc mà không kéo cần nhả khóa. Hãy trả dụng cụ lại cho một trung tâm dịch vụ được ủy quyền của chúng tôi để sửa chữa phù hợp **TRƯỚC KHI** sử dụng tiếp sau này.

⚠ THẬN TRỌNG: Không được kéo mạnh cần công tắc mà không kéo cần nhả khóa. Điều này có thể gây hỏng công tắc.

⚠ THẬN TRỌNG: **KHÔNG BAO GIỜ** dán chặt xuống hoặc vô hiệu mục đích và chức năng của cần nhả khóa.

Để ngăn ngừa vô tình kéo cần công tắc, dụng cụ được trang bị một cần nhả khóa.

Để khởi động dụng cụ, hãy kéo cần nhả khóa về phía người vận hành và sau đó kéo cần công tắc.

Để dừng dụng cụ, hãy nhả cần công tắc.

► **Hình5:** 1. Cần nhả khóa 2. Cần công tắc

Đĩa điều chỉnh tốc độ

Có thể điều chỉnh tốc độ quay của dụng cụ bằng cách xoay đĩa điều chỉnh tốc độ. Bảng dưới đây chỉ ra số trên đĩa xoay và tốc độ quay tương ứng.

► **Hình6:** 1. Đĩa điều chỉnh tốc độ

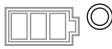

Số	Tốc độ
1	3.000 min ⁻¹
2	4.500 min ⁻¹
3	6.000 min ⁻¹
4	7.500 min ⁻¹
5	8.500 min ⁻¹

CHÚ Ý: Nếu dụng cụ được vận hành liên tục ở tốc độ chậm trong thời gian dài, động cơ sẽ bị quá tải, gây trục trặc cho dụng cụ.

CHÚ Ý: Khi chuyển đĩa xoay tốc độ từ “5” sang “1”, xoay đĩa ngược chiều kim đồng hồ. Không được dùng sức xoay đĩa theo chiều kim đồng hồ.

Chức năng thay đổi tốc độ tự động

► **Hình7:** 1. Đèn chỉ báo chế độ

Trạng thái đèn chỉ báo chế độ	Chế độ vận hành
	Chế độ tốc độ cao
	Chế độ mô-men xoắn cao

Dụng cụ này có “chế độ tốc độ cao” và “chế độ mô-men xoắn cao”. Dụng cụ sẽ tự động thay đổi chế độ vận hành tùy thuộc vào tải trọng công việc. Khi đèn chỉ báo chế độ bật sáng lên trong lúc đang vận hành, thì dụng cụ đang ở chế độ xoắn cao.

Chức năng phòng ngừa vô tình khởi động lại

Ngay cả khi đang lắp đặt hộp pin trong lúc kéo cần công tắc, dụng cụ vẫn sẽ không khởi động.

Để khởi động dụng cụ, trước tiên phải nhả cần công tắc. Sau đó kéo cần nhả khóa, và kéo cần công tắc.

Chức năng điều khiển mô-men xoắn điện tử

Dụng cụ này phát hiện kiểu điện tử các tình huống mà bánh mài hoặc phụ kiện có thể có nguy cơ bị kẹp chặt lại. Trong tình huống này, dụng cụ sẽ tự động tắt để phòng ngừa trực chính xoay thêm (nó không ngăn cản lực đẩy ngược).

Để khởi động lại dụng cụ, trước tiên hãy tắt dụng cụ, loại bỏ nguyên nhân gây ra giảm tốc độ xoay đột ngột, và sau đó bật dụng cụ.

Tính năng khởi động mềm

Tính năng khởi động mềm làm giảm phản lực khi khởi động.

Phanh điện tử

Phanh điện tử sẽ được kích hoạt sau khi tắt dụng cụ. Phanh không hoạt động khi tắt nguồn cấp điện, chẳng hạn như vô tình tháo pin, với công tắc vẫn còn mở.

LẮP RÁP

⚠ THẬN TRỌNG: Luôn đảm bảo rằng đã tắt dụng cụ và tháo hộp pin ra trước khi thực hiện việc điều chỉnh hoặc kiểm tra chức năng trên dụng cụ.

Lắp đặt tay cầm hông (tay cầm)

⚠ THẬN TRỌNG: Luôn đảm bảo rằng tay cầm hông được gắn chặt trước khi vận hành.

Vận tay cầm hông thật chặt trên vị trí của dụng cụ như thể hiện trên hình vẽ.

► **Hình8**

Lắp hoặc tháo phần bảo vệ đĩa (Dành cho đĩa mài trung tâm bị nén xuống, đĩa nhám xếp, đĩa lật, chổi sắt dạng đĩa mài / đĩa cắt nhám, đĩa mài kim cương)

⚠ CẢNH BÁO: Khi sử dụng đĩa mài trung tâm bị nén xuống, đĩa nhám xếp, đĩa lật hoặc chổi sắt dạng đĩa mài, phần bảo vệ đĩa phải được trang bị trên dụng cụ sao cho bên đóng lại của phần bảo vệ luôn chỉ về phía người vận hành.

⚠ CẢNH BÁO: Khi sử dụng đĩa cắt nhám/đĩa mài kim cương, hãy chắc chắn là bạn chỉ sử dụng phần bảo vệ đĩa chuyên dụng được thiết kế để sử dụng với đĩa cắt.

(Ở một vài quốc gia Châu Âu, khi sử dụng đĩa mài kim cương, phần bảo vệ thông thường có thể được sử dụng. Theo các quy định ở đất nước của bạn.)

Đối với dụng cụ phần bảo vệ đĩa loại vít hãm

Gắn phần bảo vệ đĩa với phần nhô ra trên đai của phần bảo vệ đĩa đã căn chỉnh các rãnh khía trên hộp ổ đệm. Sau đó quay phần bảo vệ đĩa sang góc mà có thể bảo vệ người vận hành tùy theo công việc. Đảm bảo đã vận chặt bu-lông sáu cạnh.

Để tháo phần bảo vệ đĩa, hãy làm ngược lại quy trình lắp vào.

► **Hình9:** 1. Phần bảo vệ đĩa 2. Hộp ổ đệm 3. Vít

Đối với dụng cụ phần bảo vệ đĩa loại cần kẹp

Nới lỏng vít, và sau đó kéo nó ra theo hướng mũi tên. Gắn phần bảo vệ đĩa với phần nhô ra trên đai của phần bảo vệ đĩa đã căn chỉnh các rãnh khía trên hộp ổ đệm. Sau đó quay phần bảo vệ đĩa sang góc mà có thể bảo vệ người vận hành tùy theo công việc.

► **Hình10:** 1. Phần bảo vệ đĩa 2. Hộp ổ đệm 3. Vít 4. Cần kẹp

Kéo cần theo hướng mũi tên. Sau đó vận chặt phần bảo vệ đĩa cùng với việc xiết vít. Đảm bảo đã vận chặt bu-lông sáu cạnh. Góc cài đặt của phần bảo vệ đĩa có thể được điều chỉnh với cần.

► **Hình11:** 1. Vít 2. Cần kẹp

Để tháo phần bảo vệ đĩa, hãy làm ngược lại quy trình lắp vào.

Lắp hoặc tháo đĩa mài trung tâm bị nén xuống hoặc đĩa nhám xếp

Phụ kiện tùy chọn

⚠ CẢNH BÁO: Khi sử dụng đĩa mài trung tâm bị nén xuống hoặc đĩa nhám xếp, phần bảo vệ đĩa phải được trang bị trên dụng cụ sao cho bên trong của phần bảo vệ luôn chỉ về phía người vận hành.

⚠ THẬN TRỌNG: Đảm bảo rằng phần gắn của vành trong vừa khít với đường kính trong của đĩa mài trung tâm bị nén xuống/đĩa nhám xếp. Việc gắn vành trong sai mật có thể gây ra rung động nguy hiểm.

Gắn vành trong lên trụ quay.

Đảm bảo đã gắn bộ phận răng cưa của vành trong lên bộ phận thẳng ở đáy trục quay.

Gắn khít đĩa mài trung tâm bị nén xuống/đĩa nhám xếp trên vành trong và vận đai ốc khóa lên trụ quay.

► **Hình12:** 1. Đai ốc khóa 2. Đĩa mài trung tâm bị nén xuống 3. Vành trong 4. Phần gắn

Để vận chặt đai ốc khóa, hãy nhấn khóa trục sao cho trục quay không thể xoay, sau đó sử dụng cờ lê đai ốc khóa và vận chặt lại theo chiều kim đồng hồ.

► **Hình13:** 1. Cờ-lê khóa đai ốc 2. Khóa trục

Để tháo đĩa mài, hãy làm ngược lại quy trình lắp vào.

Lắp hoặc tháo đĩa lật

Phụ kiện tùy chọn

⚠ CẢNH BÁO: Luôn sử dụng phần bảo vệ được cung cấp khi đĩa lật đang dụng cụ. Đĩa mài có thể vỡ vụn trong khi sử dụng và phần bảo vệ giúp làm giảm nguy cơ thương tích cá nhân.

► **Hình14:** 1. Đai ốc khóa 2. Đĩa lật 3. Tấm dự phòng 4. Vành trong

Làm theo hướng dẫn dành cho đĩa mài trung tâm bị nén xuống, ngoài ra cũng nên sử dụng tấm dự phòng lên trên đĩa mài. Xem thủ tục lắp ráp trên trang phụ kiện trong hướng dẫn sử dụng này.

Gắn hoặc tháo đĩa nhám

Phụ kiện tùy chọn

LƯU Ý: Sử dụng các phụ kiện máy chà nhám được quy định trong sách hướng dẫn này. Các mục này phải được mua riêng.

Đối với kiểu máy 100 mm

► **Hình15:** 1. Đai ốc khóa chà nhám 2. Đĩa nhám 3. Tấm cao su 4. Vành trong

1. Gắn vành trong lên trụ quay.

2. Gắn tấm cao su lên trụ quay.

3. Gắn khít đĩa trên tấm cao su và vận đai ốc khóa chà nhám lên trụ quay.

4. Giữ trục quay bằng khóa trục, và vận chặt đai ốc khóa chà nhám theo chiều kim đồng hồ bằng cờ lê đai ốc khóa.

Để tháo đĩa nhám, hãy làm ngược lại quy trình lắp vào.

Đối với kiểu máy 115 mm /125 mm

► **Hình16:** 1. Đai ốc khóa chà nhám 2. Đĩa nhám 3. Tấm cao su

1. Gắn tấm cao su lên trụ quay.

2. Gắn khít đĩa trên tấm cao su và vận đai ốc khóa chà nhám lên trụ quay.

3. Giữ trục quay bằng khóa trục, và vận chặt đai ốc khóa chà nhám theo chiều kim đồng hồ bằng cờ lê đai ốc khóa.

Để tháo đĩa nhám, hãy làm ngược lại quy trình lắp vào.

Kết nối máy hút bụi

Phụ kiện tùy chọn

⚠ CẢNH BÁO: Không bao giờ hút các mảnh kim loại do quá trình nghiền/cắt/chà nhám tạo ra. Các mảnh kim loại do các quá trình đó tạo ra có thể nóng đến mức làm cháy bụi và bộ lọc bên trong máy hút bụi.

Để tránh làm môi trường bụi bặm do cát gạch đá, hãy sử dụng bộ phận bảo vệ đĩa hút bụi và máy hút bụi. Tham khảo hướng dẫn sử dụng đi kèm với bộ phận bảo vệ đĩa hút bụi để lắp ráp và sử dụng nó.

► **Hình17:** 1. Bảo vệ đĩa hút bụi 2. Ống dẫn của máy hút bụi

VẬN HÀNH

⚠ CẢNH BÁO: Không cần thiết phải dùng lực lên dụng cụ. Khối lượng của dụng cụ sẽ gây ra một áp lực thích hợp. Dùng lực và dùng lực quá nhiều có thể gây vỡ đĩa mài rất nguy hiểm.

⚠ CẢNH BÁO: LUÔN thay đĩa mài nếu dụng cụ bị rơi ra trong khi mài.

⚠ CẢNH BÁO: KHÔNG BAO GIỜ đập hoặc đùng vào đĩa mài hoặc đĩa đang làm việc.

⚠ CẢNH BÁO: Tránh dồn ép hoặc vướng vào đĩa mài, đặc biệt là khi làm việc với các góc, cạnh nhọn, v.v... Điều này có thể gây mất kiểm soát và tạo lực đẩy ngược.

⚠ CẢNH BÁO: KHÔNG BAO GIỜ sử dụng dụng cụ có lưỡi cắt gỗ và các loại lưỡi cưa khác. Các loại lưỡi như vậy khi được sử dụng trên máy mài sẽ thường xuyên gây giật và làm mất kiểm soát dẫn đến thương tích cá nhân.

⚠ THẬN TRỌNG: Không bao giờ **bật dụng cụ lên khi nó đang tiếp xúc với phôi gia công**, điều này có thể gây thương tích cho người vận hành.

⚠ THẬN TRỌNG: Luôn mang kính bảo hộ hoặc mặt nạ bảo vệ mặt trong khi vận hành.

⚠ THẬN TRỌNG: Sau khi vận hành, luôn tắt dụng cụ và chờ đến khi đĩa mài dừng hoàn toàn trước khi đặt dụng cụ xuống.

⚠ THẬN TRỌNG: **LUÔN** cầm chắc dụng cụ bằng một tay đặt lên vỏ dụng cụ và tay kia đặt lên tay cầm hông (tay nắm).

Thao tác mài và chà nhám

► Hình 18

Bật dụng cụ lên và sau đó sử dụng đĩa mài hoặc đĩa cho phôi gia công.
Nói chung, hãy giữ cạnh đĩa mài hoặc đĩa ở một góc khoảng 15° so với bề mặt phôi gia công.
Trong giai đoạn đưa đĩa mài mới vào, không làm việc khi máy mài đang hướng về trước, nếu không nó có thể cắt vào phôi gia công. Một khi các cạnh của đĩa mài đã được bo tròn bằng cách sử dụng, các đĩa mài có thể được làm việc ở cả hai hướng về trước và về sau.

Vận hành với đĩa cắt nhám/đĩa mài kim cương

Phụ kiện tùy chọn

⚠ CẢNH BÁO: Khi sử dụng đĩa cắt nhám/đĩa mài kim cương, hãy chắc chắn là bạn chỉ sử dụng phần bảo vệ đĩa chuyên dụng được thiết kế để sử dụng với đĩa cắt.

(Ở một vài quốc gia Châu Âu, khi sử dụng đĩa mài kim cương, phần bảo vệ thông thường có thể được sử dụng. Theo các quy định ở đất nước của bạn.)

⚠ CẢNH BÁO: **KHÔNG BAO GIỜ** sử dụng đĩa cắt để mài mặt bên.

⚠ CẢNH BÁO: Không làm “kẹt” đĩa mài hoặc dùng lực quá nhiều. Không cố thực hiện chiều sâu cắt quá mức. Dùng lực quá nhiều lên đĩa mài sẽ làm tăng tải trọng và dễ bị xoắn hoặc bó kẹt đĩa mài khi cắt và có khả năng đẩy ngược, vỡ đĩa mài và động cơ quá nhiệt có thể xảy ra.

⚠ CẢNH BÁO: Không khởi động thao tác cắt trong phôi gia công. Để đĩa mài đạt đến tốc độ tối đa và cẩn thận nhập lại đường cắt di chuyển dụng cụ về phía trước trên bề mặt phôi gia công. Đĩa mài có thể bị bó kẹt, bật lên hoặc bật ngược lại nếu dụng cụ máy được khởi động trong phôi gia công.

⚠ CẢNH BÁO: Trong lúc cắt, không bao giờ thay đổi góc đĩa mài. Đặt áp lực hông trên đĩa cắt (cũng như khi mài) sẽ làm cho đĩa cắt nứt và vỡ, gây thương tích cá nhân nghiêm trọng.

⚠ CẢNH BÁO: Đĩa mài kim cương nên được đặt vuông góc với vật liệu được cắt.

► Hình 19: 1. Đai ốc khóa 2. Đĩa cắt nhám / đĩa mài kim cương 3. Vành trong 4. Phần bảo vệ đĩa dành cho đĩa cắt nhám / đĩa mài kim cương

Đối với việc lắp đặt, tuân theo các hướng dẫn dành cho đĩa mài trung tâm bị nén xuống.

Hướng gắn đai ốc khóa và vành trong sẽ khác nhau tùy theo loại đĩa mài và độ dày.

Tham khảo số liệu sau.

Đối với kiểu máy 100 mm

Khi lắp đĩa cắt nhám:

► Hình 20: 1. Đai ốc khóa 2. Đĩa cắt nhám (Mỏng hơn 4 mm) 3. Đĩa cắt nhám (4 mm hoặc dày hơn) 4. Vành trong

Khi lắp đĩa mài kim cương:

► Hình 21: 1. Đai ốc khóa 2. Đĩa mài kim cương (Mỏng hơn 4 mm) 3. Đĩa mài kim cương (4 mm hoặc dày hơn) 4. Vành trong

Đối với kiểu máy 115 mm /125 mm

Khi lắp đĩa cắt nhám:

► Hình 22: 1. Đai ốc khóa 2. Đĩa cắt nhám (Mỏng hơn 4 mm) 3. Đĩa cắt nhám (4 mm hoặc dày hơn) 4. Vành trong

Khi lắp đĩa mài kim cương:

► Hình 23: 1. Đai ốc khóa 2. Đĩa mài kim cương (Mỏng hơn 4 mm) 3. Đĩa mài kim cương (4 mm hoặc dày hơn) 4. Vành trong

Vận hành với chổi sắt dạng côn

Phụ kiện tùy chọn

⚠ THẬN TRỌNG: Kiểm tra hoạt động của chổi bằng cách chạy dụng cụ không tải, đảm bảo rằng không có ai ở phía trước hoặc ngang hàng với chổi.

⚠ THẬN TRỌNG: Không sử dụng chổi đã bị hư, hoặc mất cân bằng. Sử dụng chổi hư có thể làm tăng khả năng thương tích do tiếp xúc với sợi kim loại của chổi đã gãy.

► Hình 24: 1. Chổi sắt dạng côn

Tháo hộp pin ra khỏi dụng cụ và đặt dụng cụ ngược xuống cho phép bạn dễ dàng tiếp cận với trục quay. Tháo bất kỳ phụ tùng nào trên trục quay. Lắp chổi sắt dạng côn lên trục quay và vận hành bằng cờ lê được cung cấp.

CHÚ Ý: Tránh dùng lực quá nhiều có thể làm sợi kim loại cong khi sử dụng chổi. Nó có thể dẫn đến sấm bị gãy vỡ.

Vận hành với chổi sắt dạng đĩa mài

Phụ kiện tùy chọn

⚠ THẬN TRỌNG: Kiểm tra hoạt động của chổi sắt dạng đĩa mài bằng cách chạy dụng cụ không tải, đảm bảo rằng không có ai ở phía trước hoặc thẳng hàng với chổi sắt dạng đĩa mài.

⚠ THẬN TRỌNG: Không sử dụng chổi sắt dạng đĩa mài đã bị hư, hoặc mất cân bằng. Sử dụng chổi sắt dạng đĩa mài bị hư có thể làm tăng khả năng thương tích do tiếp xúc với sợi kim loại đã gãy.

⚠ THẬN TRỌNG: LUÔN sử dụng phần bảo vệ với chổi sắt dạng đĩa mài, hãy đảm bảo đường kính của đĩa mài vừa với phần bảo vệ bên trong. Đĩa mài có thể vỡ vụn trong khi sử dụng và phần bảo vệ giúp làm giảm nguy cơ thương tích cá nhân.

► **Hình25:** 1. Chổi sắt dạng đĩa mài

Tháo hộp pin ra khỏi dụng cụ và đặt dụng cụ ngược xuống cho phép bạn dễ dàng tiếp cận với trục quay. Tháo bất kỳ phụ tùng nào trên trục quay. Lắp chổi sắt dạng đĩa mài lên trục quay và vận chặt bằng các cờ lê.

CHÚ Ý: Tránh dùng lực quá nhiều có thể làm sợi kim loại cong khi sử dụng chổi sắt dạng đĩa mài. Nó có thể dẫn đến sớm bị gãy vỡ.

CHỨC NĂNG KÍCH HOẠT KHÔNG DÂY

Chỉ dành cho DGA418/DGA468/DGA518

Những điều bạn có thể thực hiện với chức năng kích hoạt không dây

Chức năng kích hoạt không dây cho phép vận hành sạch và thuận lợi. Bằng cách nối máy hút bụi được hỗ trợ vào dụng cụ, bạn có thể chạy máy hút bụi tự động cùng với vận hành chuyển đổi của dụng cụ.

► **Hình26**

Để sử dụng chức năng kích hoạt không dây, hãy chuẩn bị các mục sau đây:

- Một thiết bị thu và phát không dây (phụ kiện tùy chọn)
- Một máy hút bụi hỗ trợ chức năng kích hoạt không dây

Cài đặt chức năng kích hoạt không dây được trình bày khái quát như sau đây. Vui lòng tham khảo từng phần để biết về các quy trình chi tiết.

1. Lắp thiết bị thu và phát không dây
2. Đăng ký dụng cụ cho máy hút bụi
3. Khởi động chức năng kích hoạt không dây

Lắp thiết bị thu và phát không dây

Phụ kiện tùy chọn

⚠ THẬN TRỌNG: Đặt dụng cụ lên trên bề mặt phẳng và cố định khi lắp thiết bị thu và phát không dây.

CHÚ Ý: Làm sạch bụi bẩn trên dụng cụ trước khi lắp đặt thiết bị thu và phát không dây. Bụi bẩn có thể gây ra sự cố nếu lọt vào khe của thiết bị thu và phát không dây.

CHÚ Ý: Để ngăn sự cố do tĩnh điện, hãy chạm vào vật liệu xa tĩnh, chẳng hạn như phần kim loại của dụng cụ, trước khi cắm thiết bị thu và phát không dây.

CHÚ Ý: Khi lắp thiết bị thu và phát không dây, luôn đảm bảo rằng thiết bị không dây được lắp vào đúng hướng và nắp được đóng lại hoàn toàn.

1. Mở nắp trên dụng cụ như minh họa trong hình.

► **Hình27:** 1. Nắp

2. Lắp thiết bị thu và phát không dây vào khe và sau đó đóng nắp lại.

Khi lắp thiết bị thu và phát không dây, căn chỉnh các góc nhô ra thẳng với các phần lõm trên khe.

► **Hình28:** 1. Thiết bị thu và phát không dây 2. Góc nhô ra 3. Nắp 4. Phần lõm

Khi tháo thiết bị thu và phát không dây, mở nắp từ từ. Các móc treo vào phía sau nắp sẽ nâng thiết bị thu và phát không dây khi bạn kéo nắp lên.

► **Hình29:** 1. Thiết bị thu và phát không dây 2. Móc treo 3. Nắp

Sau khi tháo thiết bị thu và phát không dây, hãy cất giữ trong hộp đựng máy được giao kèm hoặc hộp chống tĩnh điện.

CHÚ Ý: Luôn sử dụng các móc ở phía sau nắp khi tháo thiết bị thu và phát không dây. Nếu các móc không móc vào thiết bị thu và phát không dây, đóng nắp hoàn toàn và mở lại từ từ.

Đăng ký dụng cụ cho máy hút bụi

LƯU Ý: Việc đăng ký dụng cụ yêu cầu có máy hút bụi Makita hỗ trợ chức năng kích hoạt không dây.

LƯU Ý: Hãy hoàn tất quá trình lắp thiết bị thu và phát không dây vào dụng cụ trước khi bắt đầu đăng ký dụng cụ.

LƯU Ý: Trong khi đăng ký dụng cụ, không được kéo cần khởi động công tắc hoặc bật công tắc nguồn trên máy hút bụi.

LƯU Ý: Tham khảo cả tài liệu hướng dẫn về máy hút bụi.

Nếu bạn muốn kích hoạt máy hút bụi cùng với vận hành chuyển đổi dụng cụ, hãy hoàn tất đăng ký dụng cụ trước.

1. Lắp pin vào máy hút bụi và dụng cụ.
2. Gạt công tắc chờ trên máy hút bụi về "AUTO".

► **Hình30:** 1. Công tắc chờ

3. Nhấn nút kích hoạt không dây trên máy hút bụi trong 3 giây cho đến khi đèn kích hoạt không dây nhấp nháy màu xanh lá. Và sau đó nhấn nút kích hoạt không dây trên dụng cụ theo cách tương tự.

► **Hình31:** 1. Nút kích hoạt không dây 2. Đèn kích hoạt không dây

Nếu máy hút bụi và dụng cụ được kết nối thành công, đèn kích hoạt không dây sẽ sáng màu xanh lá trong 2 giây và bắt đầu nhấp nháy màu xanh dương.

LƯU Ý: Đèn kích hoạt không dây sẽ ngừng nhấp nháy màu xanh lá sau khoảng thời gian 20 giây. Nhấn nút kích hoạt không dây trên dụng cụ khi đèn kích hoạt không dây trên máy hút bụi đang nhấp nháy. Nếu đèn kích hoạt không dây không nhấp nháy màu xanh lá, bấm nút kích hoạt không dây một cách dứt khoát và để nút xuống lần nữa.

LƯU Ý: Khi thực hiện hai hay nhiều đăng ký dụng cụ cho một máy hút bụi, hãy hoàn tất từng đăng ký dụng cụ một.

Khởi động chức năng kích hoạt không dây

LƯU Ý: Hoàn tất đăng ký dụng cụ cho máy hút bụi trước khi kích hoạt không dây.

LƯU Ý: Tham khảo cả tài liệu hướng dẫn về máy hút bụi.

Sau khi đăng ký dụng cụ cho máy hút bụi, máy hút bụi sẽ chạy tự động cùng với vận hành chuyển đổi của dụng cụ.

1. Lắp thiết bị thu và phát không dây vào dụng cụ.

Mô tả tình trạng đèn kích hoạt không dây

► **Hình35:** 1. Đèn kích hoạt không dây

Đèn kích hoạt không dây cho biết tình trạng của chức năng kích hoạt không dây. Tham khảo bảng bên dưới để biết ý nghĩa của tình trạng đèn.

Tình trạng	Đèn kích hoạt không dây				Mô tả
	Màu	<input type="checkbox"/> Bật	<input type="checkbox"/> Nhấp nháy	Khoảng thời gian	
Chờ	Màu xanh dương	<input checked="" type="checkbox"/>		2 giờ	Kích hoạt không dây của máy hút bụi là khả dụng. Đèn sẽ tự động tắt khi không vận hành 2 giờ.
		<input type="checkbox"/>		Khi dụng cụ đang chạy.	Kích hoạt không dây của máy hút bụi là khả dụng và dụng cụ đang chạy.
Đăng ký dụng cụ	Màu xanh lá	<input checked="" type="checkbox"/>		20 giây	Sẵn sàng để đăng ký dụng cụ. Chờ máy hút bụi đăng ký.
		<input type="checkbox"/>		2 giây	Đăng ký dụng cụ đã hoàn tất. Đèn kích hoạt không dây sẽ bắt đầu nhấp nháy màu xanh dương.
Hủy bỏ đăng ký dụng cụ	Màu đỏ	<input checked="" type="checkbox"/>		20 giây	Sẵn sàng để hủy bỏ đăng ký dụng cụ. Chờ máy hút bụi hủy bỏ.
		<input type="checkbox"/>		2 giây	Hủy bỏ đăng ký dụng cụ đã hoàn tất. Đèn kích hoạt không dây sẽ bắt đầu nhấp nháy màu xanh dương.
Khác	Màu đỏ	<input type="checkbox"/>		3 giây	Cấp nguồn cho thiết bị thu và phát không dây và chức năng kích hoạt không dây khởi động.
	Tắt	-		-	Kích hoạt không dây của máy hút bụi bị ngừng lại.

2. Nối ống dẫn của máy hút bụi vào dụng cụ.

► **Hình32**

3. Gạt công tắc chờ trên máy hút bụi về "AUTO".

► **Hình33:** 1. Công tắc chờ

4. Đẩy dứt khoát nút kích hoạt không dây trên dụng cụ. Đèn kích hoạt không dây sẽ nhấp nháy màu xanh dương.

► **Hình34:** 1. Nút kích hoạt không dây 2. Đèn kích hoạt không dây

5. Kéo cần khởi động công tắc của dụng cụ. Kiểm tra xem máy hút bụi có chạy trong khi cần khởi động công tắc được kéo hay không.

Để dừng việc kích hoạt không dây của máy hút bụi, nhấn nút kích hoạt không dây trên dụng cụ.

LƯU Ý: Đèn kích hoạt không dây trên dụng cụ sẽ dừng nhấp nháy màu xanh dương khi không vận hành 2 giờ. Trong trường hợp này, cài đặt công tắc chờ trên máy hút bụi về "AUTO" và nhấn nút kích hoạt không dây trên dụng cụ lần nữa.

LƯU Ý: Máy hút bụi khởi động/dừng lại với khoảng trì hoãn. Có một khoảng thời gian chậm lại khi máy hút bụi phát hiện việc vận hành chuyển đổi của dụng cụ.

LƯU Ý: Khoảng cách truyền của thiết bị thu và phát không dây có thể khác nhau tùy thuộc vào vị trí và hoàn cảnh xung quanh.

LƯU Ý: Khi hai hoặc nhiều dụng cụ được đăng ký cho một máy hút bụi, máy hút bụi có thể bắt đầu chạy ngay cả khi bạn không kéo cần khởi động công tắc vì một người dùng khác đang sử dụng chức năng kích hoạt không dây.

Hủy bỏ đăng ký dụng cụ cho máy hút bụi

Thực hiện theo quy trình sau đây khi hủy bỏ đăng ký dụng cụ cho máy hút bụi.

1. Lắp pin vào máy hút bụi và dụng cụ.
2. Gạt công tắc chờ trên máy hút bụi về "AUTO".
▶ **Hình36:** 1. Công tắc chờ
3. Nhấn nút kích hoạt không dây trên máy hút bụi trong 6 giây. Đèn kích hoạt không dây nhấp nháy màu xanh lá và sau đó bật màu đỏ. Sau đó, nhấn nút kích hoạt không dây trên dụng cụ theo cách tương tự.
▶ **Hình37:** 1. Nút kích hoạt không dây 2. Đèn kích hoạt không dây

Nếu thực hiện hủy bỏ thành công, đèn kích hoạt không dây sẽ sáng màu đỏ trong 2 giây và bắt đầu nhấp nháy màu xanh dương.

LƯU Ý: Đèn kích hoạt không dây sẽ ngừng nhấp nháy màu đỏ sau khoảng thời gian 20 giây. Nhấn nút kích hoạt không dây trên dụng cụ khi đèn kích hoạt không dây trên máy hút bụi đang nhấp nháy. Nếu đèn kích hoạt không dây không nhấp nháy màu đỏ, bấm nút kích hoạt không dây một cách dứt khoát và để nút xuống lần nữa.

Xử lý sự cố cho chức năng kích hoạt không dây

Trước khi yêu cầu sửa chữa, đầu tiên hãy tự tiến hành kiểm tra của riêng bạn. Nếu bạn phát hiện vấn đề nào đó không được giải thích trong sách hướng dẫn sử dụng này, đừng cố tháo dỡ dụng cụ. Thay vào đó, hãy nhờ Trung tâm dịch vụ Makita được ủy quyền, luôn sử dụng bộ phận thay thế của Makita để sửa chữa.

Tình trạng bất thường	Nguyên nhân tiềm tàng (sự cố hồng học)	Biện pháp khắc phục
Đèn kích hoạt không dây không sáng/nhấp nháy.	Thiết bị thu và phát không dây không được lắp vào dụng cụ.	Lắp thiết bị thu và phát không dây đúng cách.
	Thiết bị thu và phát không dây được lắp không đúng cách vào dụng cụ.	
	Điện cực của thiết bị thu và phát không dây và/hoặc khe bị bẩn.	Nhẹ nhàng lau sạch bụi bẩn trên điện cực của thiết bị thu và phát không dây và làm sạch khe.
	Nút kích hoạt không dây trên dụng cụ không được nhấn.	Đẩy dứt khoát nút kích hoạt không dây trên dụng cụ.
	Công tắc chờ trên máy hút bụi không được gạt về "AUTO".	Gạt công tắc chờ trên máy hút bụi về "AUTO".
Không thể hoàn tất đăng ký dụng cụ / hủy bỏ đăng ký dụng cụ thành công.	Không có nguồn cấp điện	Cấp điện cho dụng cụ và máy hút bụi.
	Thiết bị thu và phát không dây không được lắp vào dụng cụ.	Lắp thiết bị thu và phát không dây đúng cách.
	Thiết bị thu và phát không dây được lắp không đúng cách vào dụng cụ.	
	Điện cực của thiết bị thu và phát không dây và/hoặc khe bị bẩn.	Nhẹ nhàng lau sạch bụi bẩn trên điện cực của thiết bị thu và phát không dây và làm sạch khe.
	Công tắc chờ trên máy hút bụi không được gạt về "AUTO".	Gạt công tắc chờ trên máy hút bụi về "AUTO".
	Không có nguồn cấp điện	Cấp điện cho dụng cụ và máy hút bụi.
	Vận hành không chính xác	Nhấn dứt khoát nút kích hoạt không dây và thực hiện lại quy trình đăng ký/hủy bỏ dụng cụ.
	Dụng cụ và máy hút bụi cách xa nhau (ngoài phạm vi truyền).	Đặt dụng cụ và máy hút bụi gần nhau hơn. Khoảng cách truyền tối đa là khoảng 10 m, tuy nhiên có thể khác nhau tùy theo trường hợp.
	Trước khi hoàn tất đăng ký/hủy bỏ dụng cụ; - cần khởi động công tắc trên dụng cụ được kéo hoặc; - nút nguồn trên máy hút bụi được bật.	Nhấn dứt khoát nút kích hoạt không dây và thực hiện lại quy trình đăng ký/hủy bỏ dụng cụ.
	Quy trình đăng ký dụng cụ cho dụng cụ hoặc máy hút bụi chưa hoàn tất.	Thực hiện quy trình đăng ký dụng cụ cho cả dụng cụ và máy hút bụi cùng một lúc.
	Nhiều sóng vô tuyến do các thiết bị có thể tạo ra sóng vô tuyến cường độ cao khác gây ra.	Giữ dụng cụ và máy hút bụi cách xa các thiết bị như các thiết bị Wi-Fi và lò vi sóng.

Tình trạng bất thường	Nguyên nhân tiềm tàng (sự cố hồng hóc)	Biện pháp khắc phục
Máy hút bụi không hoạt động theo vận hành chuyển đổi dụng cụ.	Thiết bị thu và phát không dây không được lắp vào dụng cụ.	Lắp thiết bị thu và phát không dây đúng cách.
	Thiết bị thu và phát không dây được lắp không đúng cách vào dụng cụ.	
	Điện cực của thiết bị thu và phát không dây và/hoặc khe bị bẩn.	Nhẹ nhàng lau sạch bụi bẩn trên điện cực của thiết bị thu và phát không dây và làm sạch khe.
	Nút kích hoạt không dây trên dụng cụ không được nhấn.	Nhấn dứt khoát nút kích hoạt không dây và đảm bảo rằng đèn kích hoạt không dây đang nhấp nháy màu xanh dương.
	Công tắc chờ trên máy hút bụi không được gạt về "AUTO".	Gạt công tắc chờ trên máy hút bụi về "AUTO".
	Hơn 10 dụng cụ được đăng ký cho máy hút bụi.	Thực hiện lại đăng ký dụng cụ. Nếu có hơn 10 dụng cụ được đăng ký cho máy hút bụi, dụng cụ được đăng ký sớm nhất sẽ tự động bị hủy bỏ.
	Máy hút bụi đã xóa toàn bộ các đăng ký dụng cụ.	Thực hiện lại đăng ký dụng cụ.
	Không có nguồn cấp điện	Cấp điện cho dụng cụ và máy hút bụi.
	Dụng cụ và máy hút bụi cách xa nhau (ngoài phạm vi truyền).	Đặt dụng cụ và máy hút bụi gần nhau hơn. Khoảng cách truyền tối đa là khoảng 10 m, tuy nhiên có thể khác nhau tùy theo trường hợp.
Máy hút bụi chạy trong khi cần khởi động công tắc của dụng cụ không được kéo.	Nhiều sóng vô tuyến do các thiết bị có thể tạo ra sóng vô tuyến cường độ cao khác gây ra.	Giữ dụng cụ và máy hút bụi cách xa các thiết bị như các thiết bị Wi-Fi và lò vi sóng.
	Người dùng khác đang sử dụng kích hoạt không dây của máy hút bụi bằng dụng cụ của họ.	Tắt nút kích hoạt không dây của các dụng cụ khác hoặc hủy bỏ đăng ký dụng cụ của các dụng cụ khác.

BẢO TRÌ

⚠ THẬN TRỌNG: Hãy luôn chắc chắn rằng dụng cụ đã được tắt và hộp pin đã được tháo ra trước khi cố gắng thực hiện việc kiểm tra hay bảo dưỡng.

CHÚ Ý: Không được phép dùng xăng, ét xăng, dung môi, cồn hoặc hóa chất tương tự. Có thể xảy ra hiện tượng mất màu, biến dạng hoặc nứt vỡ.

Vệ sinh lỗ thông khí

Dụng cụ và các khe thông khí của nó cần phải được giữ sạch sẽ. Thường xuyên vệ sinh các khe thông khí của dụng cụ hoặc bất cứ khi nào các khe này bắt đầu bị kẹt vướng.

► **Hình38:** 1. Lỗ thông khí thải 2. Lỗ hút khí

Tháo tấm chắn bụi ra khỏi lỗ hút khí và vệ sinh để không khí lưu thông thông suốt.

► **Hình39:** 1. Tấm chắn bụi

CHÚ Ý: Vệ sinh tấm chắn bụi khi nó bị kẹt bởi bụi hoặc ngoại vật. Tiếp tục vận hành với tấm chắn bụi bị kẹt có thể làm hỏng dụng cụ.

PHỤ KIỆN TÙY CHỌN

⚠ THẬN TRỌNG: Các phụ kiện hoặc phụ tùng gắn thêm này được khuyến cáo sử dụng với dụng cụ Makita của bạn theo như quy định trong hướng dẫn này. Việc sử dụng bất cứ phụ kiện hoặc phụ tùng gắn thêm nào khác đều có thể gây ra rủi ro thương tích cho người. Chỉ sử dụng phụ kiện hoặc phụ tùng gắn thêm cho mục đích đã quy định sẵn của chúng.

Nếu bạn cần bất kỳ sự hỗ trợ nào để biết thêm chi tiết về các phụ tùng này, hãy hỏi Trung tâm Dịch vụ của Makita tại địa phương của bạn.

- Pin và bộ sạc chính hãng của Makita
- Thiết bị thu và phát không dây (Dành cho các kiểu máy có chức năng kích hoạt không dây)

► Hình 40

-	Kiểu máy 100 mm	Kiểu máy 115 mm	Kiểu máy 125 mm
1	Tay cầm 36		
2	Phần bảo vệ đĩa (dành cho đĩa mài)		
3	Vành trong		
4	Đĩa mài trung tâm bị nén xuống / Đĩa nhám xếp		
5	Đai ốc khóa		
6	Tấm dự phòng		
7	Đĩa lật		
8	Vành trong và tấm cao su 76	Tấm cao su 100	Tấm cao su 115
9	Đĩa nhám		
10	Đai ốc khóa chà nhám		
11	Chổi sắt dạng đĩa mài		
12	Chổi sắt dạng côn		
13	Phần bảo vệ đĩa (dành cho đĩa cắt)*1		
14	Đĩa cắt nhám / Đĩa mài kim cương		
15	Bảo vệ đĩa hút bụi		
-	Cờ-lê khóa đai ốc		

LƯU Ý: *1 Ở một vài quốc gia Châu Âu, khi sử dụng đĩa mài kim cương, phần bảo vệ thông thường có thể được sử dụng thay cho phần bảo vệ đặc biệt phủ lên cả hai phía của đĩa mài. Theo các quy định ở đất nước của bạn.

LƯU Ý: Một số mục trong danh sách có thể được bao gồm trong gói dụng cụ làm phụ kiện tiêu chuẩn. Các mục này ở mỗi quốc gia có thể khác nhau.

ข้อมูลจำเพาะ

รุ่น:	DGA417	DGA418
เส้นผ่านศูนย์กลางลูกกลิ้ง	100 mm (4")	
ความหนาล้อสูงสุด	6.4 mm	
แกนเสียบ	M10	
อัตราความเร็ว (n)	8,500 min ⁻¹	
ความยาวโดยรวม	382 mm	
แรงดันไฟฟ้าสูงสุด	D.C. 18 V	
น้ำหนักสุทธิ	2.2 - 2.9 kg	
เบรกไฟฟ้า	✓	
ฟังก์ชันสั่งงานด้วยสัญญาณไร้สาย	-	✓

รุ่น:	DGA467	DGA468
เส้นผ่านศูนย์กลางลูกกลิ้ง	115 mm (4-1/2")	
ความหนาล้อสูงสุด	7.2 mm	
แกนเสียบ	M14 หรือ5/8" (ตามข้อกำหนดของแต่ละประเทศ)	
อัตราความเร็ว (n)	8,500 min ⁻¹	
ความยาวโดยรวม	382 mm	
แรงดันไฟฟ้าสูงสุด	D.C. 18 V	
น้ำหนักสุทธิ	2.4 - 3.1 kg	
เบรกไฟฟ้า	✓	
ฟังก์ชันสั่งงานด้วยสัญญาณไร้สาย	-	✓

รุ่น:	DGA517	DGA518
เส้นผ่านศูนย์กลางลูกล้อ	125 mm (5")	
ความหนาหลังสูงสุด	7.2 mm	
แกนเสียบ	M14 หรือ 5/8" (ตามข้อกำหนดของแต่ละประเทศ)	
อัตราความเร็ว (n)	8,500 min ⁻¹	
ความยาวโดยรวม	382 mm	
แรงดันไฟฟ้าสูงสุด	D.C. 18 V	
น้ำหนักสุทธิ	2.4 - 3.1 kg	
เบรกไฟฟ้า	✓	
ฟังก์ชันสั่งงานด้วยสัญญาณไร้สาย	-	✓

- เนื่องจากการค้นคว้าวิจัยและพัฒนาอย่างต่อเนื่อง ข้อมูลจำเพาะในเอกสารฉบับนี้อาจเปลี่ยนแปลงได้โดยไม่ต้องแจ้งให้ทราบล่วงหน้า
- ข้อมูลจำเพาะอาจแตกต่างกันไปในแต่ละประเทศ
- น้ำหนักอาจแตกต่างกันไปตามอุปกรณ์เสริม รวมถึงตลับแบตเตอรี่ การติดอุปกรณ์เสริมที่เบาที่สุดและหนักที่สุดตามข้อบังคับของ EPTA 01/2014 มีแสดงอยู่ในตาราง

ตลับแบตเตอรี่ที่ใช้ได้

BL1815N / BL1820 / BL1820B / BL1830 / BL1830B / BL1840 / BL1840B / BL1850 / BL1850B / BL1860B

- ตลับแบตเตอรี่บางรายการที่แสดงอยู่ด้านบนอาจไม่มีวางจำหน่ายขึ้นอยู่กับภูมิภาคที่คุณอาศัยอยู่

⚠ คำเตือน: ใช้ตลับแบตเตอรี่ที่ระบุไว้ข้างบนเท่านั้น การใช้ตลับแบตเตอรี่ประเภทอื่นอาจก่อให้เกิดความเสี่ยงที่จะได้รับบาดเจ็บและ/หรือเกิดไฟไหม้

สัญลักษณ์

ต่อไปนี้เป็นสัญลักษณ์ที่ใช้สำหรับอุปกรณ์ โปรดศึกษาความหมายของสัญลักษณ์ให้เข้าใจก่อนการใช้งาน



อ่านคู่มือการใช้งาน



สวมแว่นตานิรภัย



Ni-MH
Li-ion

สำหรับประเทศในสหภาพยุโรปเท่านั้น ห้ามทิ้งอุปกรณ์ไฟฟ้าหรือชุดแบตเตอรี่รวมกับขยะครัวเรือนทั่วไป! เพื่อให้เป็นไปตามกฎระเบียบของยุโรปเกี่ยวกับขยะจำพวกอุปกรณ์ไฟฟ้าและอิเล็กทรอนิกส์ และขยะจำพวกแบตเตอรี่และหม้อสะสมไฟฟ้า และการปฏิบัติตามกฎหมายในประเทศ ต้องเก็บอุปกรณ์ไฟฟ้าและแบตเตอรี่และชุดแบตเตอรี่ที่หมดอายุการใช้งานแล้วแยกต่างหาก และส่งกลับไปยังศูนย์รีไซเคิลที่เป็นมิตรต่อสิ่งแวดล้อม

จุดประสงค์การใช้งาน

เครื่องมือนี้ใช้สำหรับขัด ขัดด้วยกระดาษทราย และตัดวัสดุที่เป็นเหล็กและหินโดยไม่ใช้น้ำ

คำเตือนด้านความปลอดภัย

คำเตือนด้านความปลอดภัยของเครื่องมือไฟฟ้าทั่วไป

⚠ คำเตือน: โปรดอ่านคำเตือนด้านความปลอดภัย คำแนะนำ ภาพประกอบ และข้อมูลจำเพาะต่างๆ ที่ให้มา กับเครื่องมือไฟฟ้านี้อย่างละเอียด การไม่ปฏิบัติตามคำแนะนำดังต่อไปนี้ อาจส่งผลให้เกิดไฟฟ้าช็อต ไฟไหม้ และ/หรือได้รับบาดเจ็บอย่างร้ายแรงได้

เก็บรักษาคำเตือนและคำแนะนำทั้งหมดไว้

เป็นข้อมูลอ้างอิงในอนาคต

คำว่า “เครื่องมือไฟฟ้า” ในคำเตือนนี้หมายถึงเครื่องมือไฟฟ้า (มีสาย) ที่ทำงานโดยใช้กระแสไฟฟ้าหรือเครื่องมือไฟฟ้า (ไร้สาย) ที่ทำงานโดยใช้แบตเตอรี่

ความปลอดภัยของพื้นที่ทำงาน

1. ดูแลพื้นที่ทำงานให้มีความสะอาดและมีแสงไฟสว่าง พื้นที่ที่กระเบื้องกระเบื้องหรือมีดที่บอบอาจนำไปสู่การเกิดอุบัติเหตุได้
2. อย่าใช้งานเครื่องมือไฟฟ้าในสภาพที่อาจเกิดการระเบิด เช่น ในสถานที่ที่มีของเหลว ก๊าซ หรือฝุ่นผงที่มีคุณสมบัติไวไฟ เครื่องมือไฟฟ้าอาจสร้างประกายไฟและจุดชนวนฝุ่นผงหรือก๊าซดังกล่าว
3. ดูแลไม่ให้มีเด็กหรือบุคคลอื่นอยู่ในบริเวณที่กำลังใช้เครื่องมือไฟฟ้า การมีสิ่งรบกวนสมาธิอาจทำให้คุณสูญเสียการควบคุม

ความปลอดภัยด้านไฟฟ้า

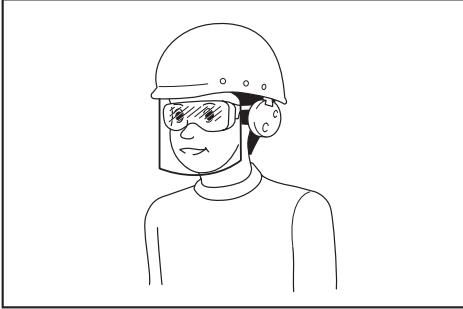
1. ปลั๊กของเครื่องมือไฟฟ้าต้องพอดีกับเต้ารับ อย่าดัดแปลงปลั๊กไม่ว่ากรณีใดๆ อย่าใช้ปลั๊กอะแดปเตอร์กับเครื่องมือไฟฟ้าที่ต่อสายดิน ปลั๊กที่ไม่ถูกดัดแปลงและเต้ารับที่เข้ากันพอดีจะช่วยลดความเสี่ยงของการเกิดไฟฟ้าช็อต
2. ระวังอย่าให้ร่างกายสัมผัสกับพื้นผิวที่ต่อสายดิน เช่น ท่อ เครื่องนำความร้อน เตาหุงต้ม และตู้เย็น มีความเสี่ยงที่จะเกิดไฟฟ้าช็อตสูงขึ้น หากร่างกายของคุณสัมผัสกับพื้น
3. อย่าให้เครื่องมือไฟฟ้าถูกน้ำหรืออยู่ในสภาพเปียกชื้น น้ำที่ไหลเข้าไปในเครื่องมือไฟฟ้าจะเพิ่มความเสี่ยงของการเกิดไฟฟ้าช็อต
4. อย่าใช้สายไฟอย่างไม่เหมาะสม อย่าใช้สายไฟเพื่อยก ดึง หรือถอดปลั๊กเครื่องมือไฟฟ้า เก็บสายไฟให้ห่างจากความร้อน น้ำมัน ของมีคม หรือชิ้นส่วนที่เคลื่อนที่ สายที่ชำรุดหรือพันกันจะเพิ่มความเสี่ยงของการเกิดไฟฟ้าช็อต
5. ขณะที่ใช้งานเครื่องมือไฟฟ้านอกอาคาร ควรใช้สายต่อพ่วงที่เหมาะสมกับงานภายนอกอาคาร การใช้สายที่เหมาะสมกับงานภายนอกอาคารจะลดความเสี่ยงของการเกิดไฟฟ้าช็อต
6. หากต้องใช้งานเครื่องมือไฟฟ้าในสถานที่เปียกชื้น ให้ใช้อุปกรณ์ป้องกันกระแสไฟรั่ว (RCD) การใช้ RCD จะลดความเสี่ยงของการเกิดไฟฟ้าช็อต

7. เครื่องมือไฟฟ้าอาจสร้างสนามแม่เหล็ก (EMF) ที่ไม่เป็นอันตรายต่อผู้ใช้ อย่างไรก็ตาม ผู้ใช้ที่ใส่เครื่องกระตุ้นหัวใจและอุปกรณ์ทางการแพทย์ที่คล้ายกันนี้ควรติดต่อผู้ผลิตอุปกรณ์และ/หรือแพทย์เพื่อรับคำแนะนำก่อนใช้งานเครื่องมือไฟฟ้านี้

ความปลอดภัยส่วนบุคคล

1. ให้ระมัดระวังและมึสติอยู่เสมอขณะใช้งานเครื่องมือไฟฟ้า อย่าใช้งานเครื่องมือไฟฟ้าในขณะที่คุณกำลังเหนื่อย หรือในสภาพที่มึนเมาจากยาเสพติด เครื่องดื่ม แอลกอฮอล์ หรือการเข้ายา ช่วงเวลาที่ขาดความระมัดระวังเมื่อกำลังใช้งานเครื่องมือไฟฟ้าอาจทำให้ได้รับบาดเจ็บร้ายแรง
2. ใช้อุปกรณ์ป้องกันส่วนบุคคล สวมแว่นตาป้องกันแสง อุปกรณ์ป้องกัน เช่น หน้ากากกันฝุ่น รองเท้านิรภัย กันสั่น หมวกนิรภัย หรือเครื่องป้องกันการได้ยินที่ใช้ในสภาพที่เหมาะสมจะช่วยลดการบาดเจ็บ
3. ป้องกันไม่ให้เกิดการเปิดใช้งานโดยไม่ตั้งใจ ตรวจสอบให้แน่ใจว่าสวิตช์ปิดอยู่ก่อนที่จะเชื่อมต่อกับแหล่งจ่ายไฟ และ/หรือชุดแบตเตอรี่ รวมทั้งตรวจสอบก่อนการยกหรือเคลื่อนย้ายเครื่องมือ การสอดนิ้วมือบริเวณสวิตช์เพื่อถือเครื่องมือไฟฟ้า หรือการชาร์จไฟเครื่องมือไฟฟ้าในขณะที่เปิดสวิตช์อยู่อาจนำไปสู่การเกิดอุบัติเหตุ
4. นำกฎและปรับตั้งหรือประแจออกก่อนที่จะเปิดเครื่องมือไฟฟ้า ประแจหรือกฎแจที่เสียบค้างอยู่ในชิ้นส่วนที่หมุนได้ของเครื่องมือไฟฟ้าอาจทำให้ได้รับบาดเจ็บ
5. อย่าทำงานในระยะที่สูดเอื้อม จัดทำการยึนและการทรงตัวให้เหมาะสมตลอดเวลา เพราะจะทำให้ควบคุมเครื่องมือไฟฟ้าได้ดีขึ้นในสถานการณ์ที่ไม่คาดคิด
6. แต่งกายให้เหมาะสม อย่าสวมเครื่องแต่งกายที่หลวมเกินไป หรือสวมเครื่องประดับ ดูแลไม่ให้เส้นผมและเสื้อผ้าอยู่ใกล้ชิ้นส่วนที่เคลื่อนที่ เสื้อผ้ารุ่มร่าม เครื่องประดับ หรือผมที่มีความยาวอาจเข้าไปติดในชิ้นส่วนที่เคลื่อนที่
7. หากมีการจัดอุปกรณ์สำหรับดูดและจับกับฝุ่นไว้ในสถานที่ ให้ตรวจสอบว่าได้เชื่อมต่อและใช้งานอุปกรณ์นั้นอย่างเหมาะสม การใช้เครื่องดูดและจับกับฝุ่นจะช่วยลดอันตรายที่เกิดจากฝุ่นผงได้
8. อย่าให้ความคุ้นเคยจากการใช้งานเครื่องมือเป็นประจำทำให้คุณทำตามตัวตามสบายและละเลยหลักการเพื่อความปลอดภัยในการใช้เครื่องมือ การกระทำที่ไม่ระมัดระวังอาจทำให้เกิดการบาดเจ็บร้ายแรงภายในเสี้ยววินาที

- สวมใส่แว่นครอบตานิรภัยเพื่อปกป้องดวงตาของคุณจากการบาดเจ็บเมื่อใช้เครื่องมือไฟฟ้า แว่นครอบตาจะต้องได้มาตรฐาน ANSI Z87.1 ในสหรัฐอเมริกา, EN 166 ในยุโรป หรือ AS/NZS 1336 ในออสเตรเลีย/นิวซีแลนด์ ในออสเตรเลีย/นิวซีแลนด์ จะต้องสวมเกราะป้องกันใบหน้าเพื่อปกป้องใบหน้าของคุณอย่างถูกต้องตามกฎหมายด้วย



ผู้ว่าจ้างมีหน้าที่รับผิดชอบในการบังคับผู้ใช้งานเครื่องมือและบุคคลอื่นๆ ที่อยู่ในบริเวณที่ปฏิบัติงานให้ใช้อุปกรณ์ป้องกันที่เหมาะสม

การใช้และดูแลเครื่องมือไฟฟ้า

- อย่าฝืนใช้เครื่องมือไฟฟ้า ใช้เครื่องมือไฟฟ้าที่เหมาะสมกับการใช้งานของคุณ เครื่องมือไฟฟ้าที่เหมาะสมจะทำให้ได้งานที่มีประสิทธิภาพและปลอดภัยกว่าตามขีดความสามารถของเครื่องที่ได้รับการออกแบบมา
- อย่าใช้เครื่องมือไฟฟ้า หากสวิตช์ไม่สามารถเปิดปิดได้ เครื่องมือไฟฟ้าที่ควบคุมด้วยสวิตช์ไม่ได้เป็นสิ่งอันตรายและต้องได้รับการซ่อมแซม
- ถอดปลั๊กจากแหล่งจ่ายไฟ และ/หรือชุดแบตเตอรี่ออกจากเครื่องมือไฟฟ้าก่อนทำการปรับตั้ง เปลี่ยนอุปกรณ์เสริม หรือจัดเก็บเครื่องมือไฟฟ้า วิธีการป้องกันด้านความปลอดภัยดังกล่าวจะช่วยลดความเสี่ยงในการเปิดใช้งานเครื่องมือไฟฟ้าโดยไม่ได้ตั้งใจ
- จัดเก็บเครื่องมือไฟฟ้าที่ไม่ได้ใช้งานให้ห่างจากมือเด็ก และอย่าอนุญาตให้บุคคลที่ไม่คุ้นเคยกับเครื่องมือไฟฟ้าหรือคำแนะนำเหล่านี้ใช้งานเครื่องมือไฟฟ้า เครื่องมือไฟฟ้าจะเป็นอันตรายเมื่ออยู่ในมือของผู้ที่ไม่ได้รับการฝึกอบรม

- บำรุงรักษาเครื่องมือไฟฟ้าและอุปกรณ์เสริม ตรวจสอบการประกอบที่ไม่ถูกต้องหรือการเชื่อมต่อของชิ้นส่วนที่เคลื่อนที่ การแตกหักของชิ้นส่วน หรือสภาพอื่นๆ ที่อาจส่งผลกระทบต่อการทำงานของเครื่องมือไฟฟ้า หากมีความเสียหาย ให้นำเครื่องมือไฟฟ้าไปซ่อมแซมก่อนการใช้งาน อุบัติเหตุจำนวนมากเกิดจากการดูแลรักษาเครื่องมือไฟฟ้าอย่างไม่ถูกต้อง
- ทำความสะอาดเครื่องมือตัดและลับให้คมอยู่เสมอ เครื่องมือการตัดที่มีการดูแลอย่างถูกต้องและมีขอบการตัดคมมักจะมีความปลอดภัยน้อยกว่า
- ใช้เครื่องมือไฟฟ้า อุปกรณ์เสริม และวัสดุสิ้นเปลือง ฯลฯ ตามคำแนะนำดังกล่าว พิจารณาสภาพการทำงานและงานที่จะลงมือทำ การใช้เครื่องมือไฟฟ้าเพื่อทำงานอื่นนอกเหนือจากที่กำหนดไว้อาจทำให้เกิดอันตราย
- ดูเล็มมือจับและบริเวณมือจับให้แห้ง สะอาด และไม่มันหื่นและจารบีเปื้อน มือจับและบริเวณมือจับที่ลื่นจะทำให้ไม่สามารถจับและควบคุมเครื่องมือได้อย่างปลอดภัยในสถานการณ์ที่ไม่คาดคิด

- ขณะใช้งานเครื่องมือ อย่างสวมใส่ถุงมือผ้าที่อาจเข้าไปติดในเครื่องมือได้ หากถุงมือผ้าเข้าไปติดในชิ้นส่วนที่กำลังเคลื่อนที่ที่อยู่อาจทำให้ได้รับบาดเจ็บ

การใช้งานและดูแลเครื่องมือที่ใช้แบตเตอรี่

- ชาร์จไฟใหม่ด้วยเครื่องชาร์จที่ระบุโดยผู้ผลิตเท่านั้น เครื่องชาร์จที่เหมาะสมสำหรับชุดแบตเตอรี่ประเภทหนึ่งอาจเสี่ยงที่จะเกิดไฟไหม้หากนำไปใช้กับชุดแบตเตอรี่อีกประเภทหนึ่ง
- ใช้เครื่องมือไฟฟ้ากับชุดแบตเตอรี่ที่กำหนดมาโดยเฉพาะเท่านั้น การใช้ชุดแบตเตอรี่ประเภทอื่นอาจทำให้เสี่ยงที่จะได้รับบาดเจ็บและเกิดไฟไหม้
- เมื่อไม่ใช้งานชุดแบตเตอรี่ ให้เก็บห่างจากวัตถุที่เป็นโลหะอื่นๆ เช่น คลิปหนีบกระดาษ เหรียญ กุญแจ กรรไกรตัดเล็บ สกรู หรือวัตถุที่เป็นโลหะขนาดเล็กอื่นๆ ที่สามารถเชื่อมต่อขั้วหนึ่งกับอีกขั้วหนึ่งได้ การลัดวงจรขั้วแบตเตอรี่อาจทำให้ร้อนจัดหรือเกิดไฟไหม้
- ในกรณีที่ใช้งานไม่ถูกต้อง อาจมีของเหลวไหลออกจากแบตเตอรี่ ให้หลีกเลี่ยงการสัมผัส หากสัมผัสโดนของเหลวโดยไม่ได้ตั้งใจ ให้ล้างออกด้วยน้ำ หากของเหลวกระเด็นเข้าตา ให้รีบไปพบแพทย์ ของเหลวที่ไหลออกจากแบตเตอรี่อาจทำให้ผิวหนังระคายเคืองหรือไหม้

- ห้ามใช้ชุดแบตเตอรี่หรือเครื่องมือที่ชำรุดหรือมีการแก้ไข แบตเตอรี่ที่เสียหายหรือมีการแก้ไขอาจทำให้เกิดสิ่งที่ไม่ถึงได้ เช่น ไฟไหม้ ระเบิด หรือเสียงต่อการบาดเจ็บ
- ห้ามใช้ชุดแบตเตอรี่ยูเอไอเอส หรือบริเวณที่มีอุณหภูมิสูงเกิน หากโดนไฟ หรืออุณหภูมิสูงเกิน 130 °C อาจก่อให้เกิดการระเบิดได้
- กรุณาปฏิบัติตามคำแนะนำสำหรับการชาร์จไฟ และห้ามชาร์จแบตเตอรี่หรือเครื่องมือในบริเวณที่มีอุณหภูมินอกเหนือไปจากที่ระบุในคำแนะนำ การชาร์จไฟที่ไม่เหมาะสม หรืออุณหภูมิที่นอกเหนือไปจากช่วงอุณหภูมิที่ระบุในคำแนะนำอาจทำให้แบตเตอรี่เสียหายและเป็นการเพิ่มความเสี่ยงในการเกิดไฟไหม้

การซ่อมบำรุง

- นำเครื่องมือไฟฟ้าเข้ารับบริการจากช่างซ่อมที่ผ่านการรับรองโดยใช้อะไหล่แบบเดียวกันเท่านั้น เพราะจะทำให้การใช้เครื่องมือไฟฟ้ามีความปลอดภัย
- ห้ามใช้ชุดแบตเตอรี่ที่เสียหาย ชุดแบตเตอรี่ที่ใช้ควรเป็นชุดที่มาจากผู้ผลิต หรือผู้ให้บริการที่ได้รับอนุญาตเท่านั้น
- ปฏิบัติตามคำแนะนำในการหล่อลื่นและการเปลี่ยนอุปกรณ์เสริม

คำเตือนด้านความปลอดภัยของเครื่องขัด ไร้สาย

คำเตือนด้านความปลอดภัยสำหรับการทำงานขัด ขัดด้วยกระดาษทราย การใช้แปรงลวดขัด หรือการตัดแบบขัด

- เครื่องมือไฟฟ้าที่มีจุดประสงค์การใช้งานเพื่อใช้เป็นเครื่องขัด กระดาษทราย แปรงขัด หรือเครื่องมือตัด โปรดอ่านคำเตือนด้านความปลอดภัย คำแนะนำ ภาพประกอบ และข้อมูลจำเพาะต่างๆ ที่กำกับกับเครื่องมือไฟฟ้าอย่างละเอียด การไม่ปฏิบัติตามคำแนะนำดังต่อไปนี้ อาจส่งผลให้เกิดไฟฟ้าช็อต ไฟไหม้ และ/หรือได้รับบาดเจ็บอย่างร้ายแรงได้
- ไม่แนะนำให้ใช้เครื่องมือไฟฟ้านี้ในการขัดเงา การใช้งานเครื่องมือไฟฟ้านี้โดยมีจุดประสงค์การใช้งานอาจเป็นสาเหตุของอันตรายและการบาดเจ็บได้
- อย่าใช้อุปกรณ์เสริมที่ไม่ได้ออกแบบและแนะนำโดยผู้ผลิตเครื่องมือนี้ การที่อุปกรณ์เสริมต่างๆ สามารถติดตั้งเข้ากับเครื่องมือไฟฟ้าของคุณได้นั้นไม่ได้เป็นการรับประกันว่าจะสามารถใช้งานร่วมกับอุปกรณ์ดังกล่าวได้อย่างปลอดภัย

- อัตราความเร็วของอุปกรณ์เสริมนี้ขึ้นอยู่กับความเร็วสูงสุดที่ระบุไว้ในเครื่องมือไฟฟ้าที่ อุปกรณ์เสริมที่ทำงานด้วยความเร็วสูงกว่าอัตราความเร็วของตนเองจะแตกหักหรือกระเด็นออกมาได้
- เส้นผ่านศูนย์กลางภายนอกและความหนาของอุปกรณ์เสริมของคุณจะต้องอยู่ในอัตราความสามารถของเครื่องมือไฟฟ้าของคุณ อุปกรณ์เสริมที่มีขนาดไม่เหมาะสมจะไม่สามารถควบคุมหรือป้องกันได้อย่างมีประสิทธิภาพ
- รูตัดตั้งของอุปกรณ์เสริมต้องมีขนาดพอดีกับแกนเสียบของเครื่องขัด สำหรับอุปกรณ์ที่ใช้การตัดตั้งแบบครีบ ร่องของอุปกรณ์ต้องมีขนาดพอดีกับเส้นผ่านศูนย์กลางของครีบ อุปกรณ์เสริมที่มีขนาดของสว่านติดตั้งไม่พอดีกับสว่านติดตั้งอุปกรณ์ของเครื่องมือไฟฟ้า จะทำให้ไม่สามารถทำงานได้อย่างสมบูรณ์ มีอาการสั่นมากเกินไป และอาจทำให้ไม่สามารถควบคุมได้
- ห้ามใช้อุปกรณ์เสริมที่เสียหาย ก่อนใช้งานแต่ละครั้ง ให้ตรวจสอบอุปกรณ์เสริม เช่น หาเศษชิ้นส่วนและรอยแตกบนล้อขัด หารอยแตก การชำรุด หรือการสึกหรอที่มากเกินไปบนแผ่นหลัง และหาเส้นแปร่งที่หลวมหรือแตกบนแปรงขัด หากอุปกรณ์เสริมของเครื่องมือไฟฟ้าตกลงพื้น ให้ตรวจสอบความเสียหายและติดตั้งอุปกรณ์เสริมที่ไม่มีความเสียหาย หลังจากการตรวจสอบและการติดตั้งอุปกรณ์เสริม ให้ตัวคุณเองและผู้อยู่ใกล้เคียงอยู่ห่างจากบริเวณที่อุปกรณ์หมุนและเปิดเครื่องมือไฟฟ้าที่ความเร็วหมุนเปล่าสูงสุดเป็นเวลาหนึ่งนาที โดยปกติแล้ว อุปกรณ์เสริมที่เสียหายจะแตกออกในระหว่างเวลาการทดสอบนี้
- สวมอุปกรณ์ป้องกันส่วนบุคคล ขึ้นอยู่กับรูปแบบการใช้งานของคุณ ให้ใช้หน้ากาก หน้ากากนิรภัยหรือแว่นนิรภัย สวมหมวกกันน็อกที่ป้องกันเสียง ถุงมือ และผ้ากันเปื้อนที่สามารถป้องกันการกระเด็นของชิ้นงานได้ตามความเหมาะสม อุปกรณ์ป้องกันดวงตาจะต้องสามารถป้องกันฝุ่นหรือสิ่งสกปรกที่กระเด็นจากการทำงานได้ หน้ากากป้องกันฝุ่นหรือที่ช่วยหายใจจะต้องสามารถกรองอนุภาคที่เกิดจากการทำงานของคุณได้ การฟังเสียงดังมาก เป็นเวลานาน อาจทำให้ระบบการได้ยินเสียหายได้
- โปรดทำให้ผู้ไม่เกี่ยวข้องอยู่ห่างจากบริเวณที่ปฏิบัติงานในระยะปลอดภัย ผู้ที่เข้าพื้นที่ปฏิบัติงานจะต้องสวมอุปกรณ์ป้องกันส่วนบุคคล เศษชิ้นงานหรืออุปกรณ์ที่แตกหักอาจกระเด็นและก่อให้เกิดอาการบาดเจ็บในสถานที่รอบๆ บริเวณปฏิบัติงานได้

10. ถือเครื่องมือไฟฟ้าบริเวณมือจับที่เป็นฉนวนเท่านั้น เมื่อทำงานที่เครื่องมือตัดอาจสัมผัสกับสายไฟที่ซ่อนอยู่ การสัมผัสกับสายไฟที่ “มีกระแสไฟไหลผ่าน” จะทำให้ส่วนที่เป็นโลหะของเครื่องมือไฟฟ้าที่ไม่มีฉนวนหุ้ม “มีกระแสไฟไหลผ่าน” และทำให้ผู้ปฏิบัติงานถูกไฟฟ้าช็อตได้
11. อย่าวางเครื่องมือไฟฟ้าลงจนกว่าจะหยุดหมุนสนิท อุปกรณ์ที่กำลังหมุนอาจจะกระทบกับพื้นผิวและทำให้เครื่องมือไฟฟ้าหลุดมือคุณได้
12. อย่าเปิดเครื่องมือไฟฟ้าเมื่อถือไว้ข้างตัวคุณ เนื่องจากการสัมผัสกับอุปกรณ์ที่กำลังหมุนโดยไม่ได้ตั้งใจนั้น อาจพันกับเสื้อผ้าของคุณและดึงอุปกรณ์เข้าสู่ร่างกายของคุณได้
13. โปรดทำความสะอาดรูระบายอากาศของเครื่องมือไฟฟ้าอย่างสม่ำเสมอ พัดลมของมอเตอร์จะดูดฝุ่นเข้าไปในตัวเครื่องและการมีผงโลหะในตัวเครื่องมากเกินไปอาจทำให้เกิดอันตรายจากกระแสไฟฟ้าได้
14. อย่าใช้เครื่องมือไฟฟ้าใกล้ๆ วัสดุที่ติดไฟได้ เนื่องจากประกายไฟอาจทำให้วัสดุดังกล่าวติดไฟ
15. อย่าใช้อุปกรณ์เสริมที่ต้องใช้ของเหลวเพื่อระบายความร้อน การใช้น้ำหรือของเหลวเพื่อระบายความร้อนอื่นๆ อาจทำให้เกิดไฟฟ้าดูดได้

คำเตือนเกี่ยวกับการติดกลับและสิ่งที่เกี่ยวข้อง การติดกลับคือการตอบสนองโดยฉับพลันเมื่อเกิดการสะดุดหรือติดขัดของลูกล้อ แผ่นหลัง แปรง หรืออุปกรณ์เสริมอื่นๆ ที่กำลังหมุน การสะดุดหรือการติดขัดจะทำให้อุปกรณ์ที่กำลังหมุนบักหวนอย่างรวดเร็วซึ่งเป็นสาเหตุให้เครื่องมือไฟฟ้าที่ไม่สามารถควบคุมได้เกิดและสะท้อนกลับไปยังทิศทางตรงข้ามกับการหมุน ตัวอย่างเช่น หากลูกล้อขั้วนั้นสะดุดหรือติดขัดกับชิ้นงานของลูกล้อที่เข้าไปยังจุดติดขัดจะเจาะเข้าไปยังพื้นผิวของวัสดุและทำให้ลูกล้อติดตัวขึ้นมา ลูกล้อดังกล่าวอาจจะกระเด็นเข้าหาหรือออกห่างตัวผู้ปฏิบัติงาน ทั้งนี้ขึ้นอยู่กับทิศทางการหมุนของลูกล้อเมื่อเกิดการสะดุด ในกรณีดังกล่าว ลูกล้อขั้วอาจจะแตกหักได้ด้วย การติดกลับเป็นผลมาจากการใช้เครื่องมือไฟฟ้าผิดจุดประสงค์ และ/หรือ การใช้ผิดวิธี และสามารถป้องกันได้โดยใช้วิธีการป้องกันดังต่อไปนี้

1. จับตามจับเครื่องมือไฟฟ้าให้แน่นและจัดตำแหน่งร่างกายและแขนให้สามารถต้านทานแรงติดกลับได้ ใช้มือจับเสริมเสมอ ถ้ามี เพื่อให้สามารถควบคุมการติดกลับหรือการสะท้อนของแรงบิดในระหว่างการเริ่มทำงานได้อย่างมีประสิทธิภาพ ผู้ปฏิบัติงานจะสามารถควบคุมและสะท้อนของแรงบิดหรือแรงบิดกลับได้หากดำเนินการป้องกันอย่างเหมาะสม

2. อย่าเอามือไว้ใกล้อุปกรณ์หมุน อุปกรณ์ดังกล่าวอาจติดกลับใส่มือคุณได้
3. อย่าอยู่ในบริเวณที่อาจจะมีคนเครื่องมือหากมีการติดกลับเกิดขึ้น การติดกลับจะทำให้เครื่องมือสะบัดไปยังทิศทางตรงกันข้ามของการเคลื่อนไหวของลูกล้อเมื่อเกิดการสะดุด
4. ใช้ความระมัดระวังเป็นพิเศษเพื่อปฏิบัติงานกับมุมขอบที่มีความแหลมคม ขลุ่ย หลีกเลียงการกระแทกและการติดขัดของอุปกรณ์ มุม ขอบที่มีความแหลมคม หรือการกระแทกนั้นอาจทำให้เกิดการสะดุดของอุปกรณ์หมุนและทำให้เสียการควบคุมหรือการติดกลับได้
5. อย่าติดตั้งใบมีดเลื่อนแบบโซ่หรือใบเลื่อยแบบซี่ ใบมีดแบบดังกล่าวมักจะทำให้เกิดการติดกลับและสูญเสียการควบคุม

คำเตือนด้านความปลอดภัยพิเศษสำหรับการทำงานขัดและการตัดแบบขัด

1. ใช้แต่ลูกล้อชนิดที่เครื่องมือไฟฟ้าของคุณกำหนดและอุปกรณ์ป้องกันที่ออกแบบมาเพื่อลูกล้อที่ใช้เท่านั้น ลูกล้อที่ไม่ได้ออกแบบมาเพื่อใช้กับเครื่องมือไฟฟ้า จะไม่ได้รับการปกป้องอย่างมีประสิทธิภาพและเป็นอันตราย
2. พื้นผิวขัดของใบเจียศูนย์คมจะต้องติดตั้งอยู่ด้านล่างของระนาบขอบที่ป้องกัน ล้อที่ติดตั้งอย่างไม่ถูกต้องซึ่งยื่นออกมาจากแนวระนาบของขอบที่ป้องกันจะไม่ได้รับการป้องกันที่เพียงพอ
3. ที่ป้องกันจะต้องยึดไว้กับเครื่องมือไฟฟ้าอย่างแน่นหนาและวางไว้ในตำแหน่งที่มีความปลอดภัยสูงสุด เพื่อให้ส่วนล้อหันเข้าหาผู้ปฏิบัติงานน้อยที่สุด ที่ป้องกันจะช่วยในการป้องกันผู้ปฏิบัติงานจากเศษลื้อที่แตก การสัมผัสกับลื้อโดยไม่ตั้งใจ และประกายไฟที่อาจทำให้เสื้อผ้าติดไฟ
4. ต้องใช้งานล้อในลักษณะการใช้งานที่แนะนำเท่านั้น ตัวอย่างเช่น อย่าขัดด้วยด้านข้างของลูกล้อตัด ลูกล้อตัดแบบขัดใช้เพื่อขัดรอบวง แรงด้านข้างที่กระทำต่อลูกล้อเหล่านี้จะทำให้ลูกล้อแตกและเฉียดได้
5. ใช้แต่แกนลูกล้อที่ไม่เสียหายและมีขนาดและรูปทรงตรงกับลูกล้อที่ใช้เท่านั้น แกนลื้อที่ถูกต้องจะรองรับลูกล้อได้อย่างมีประสิทธิภาพจึงสามารถลดโอกาสในการเสียหายของลูกล้อได้ แกนสำหรับลื้อตัดอาจแตกต่างจากแกนลื้อขัด
6. อย่าใช้ลื้อที่สึกหรอจากเครื่องมือไฟฟ้าที่มีขนาดใหญ่กว่า ล้อที่ใส่สำหรับเครื่องมือไฟฟ้าที่มีขนาดใหญ่กว่าไม่เหมาะกับเครื่องมือขนาดเล็กที่มีความเร็วสูงกว่า และอาจจะเปิดได้

คำเตือนด้านความปลอดภัยพิเศษเพิ่มเติมสำหรับการตัดแบบขีด:

1. อย่าทำให้ลูกลัดต “ติด” หรือใช้แรงดันมากเกินไป อย่าพยายามทำความสะอาดในการตัดมากเกินไป การกดดันลูกลัดตมากเกินไปจะเป็นการเพิ่มการไหลและความไวที่ลูกลัดตจะเกิดการบิดหรือการติดขัดระหว่างการตัด และความเป็นไปได้ในการติดกลับหรือลูกลัดตแตก
2. อย่าให้ร่างกายของคุณอยู่ในระดับเดียวกันหรือด้านหลังลูกลัดตที่กำลังหมุน เมื่อลูกลัดตในตำแหน่งการใช้งานเคลื่อนออกจากร่างกายของคุณ การติดกลับอาจผลักดันให้ลูกลัดตที่กำลังหมุนและเครื่องมือไฟฟ้าพุ่งตรงเข้าหาคุณ
3. เมื่อลูกลัดตติดขัดหรือรบกวนการตัดด้วยเหตุใดๆ ก็ตาม ให้ปิดเครื่องมือไฟฟ้าและถือเครื่องมือไฟฟ้าค้างไว้เฉยๆ จนกว่าลูกลัดตจะหยุดสนิท ห้ามพยายามถอดลูกลัดตออกจากรอยตัดขณะที่ลูกลัดตยังเคลื่อนไหวยังมีอันตรายเกิดการติดกลับได้ ตรวจสอบและแก้ไขเพื่อกำจัดสาเหตุที่ทำให้ลูกลัดตติดขัด
4. อย่าเริ่มการตัดชิ้นใหม่โดยที่เครื่องมือคาวอยู่ในชิ้นงาน ให้ลูกลัดตทำความสะอาดแล้วจึงสอดเข้าไปในรอยตัดอีกครั้งอย่างระมัดระวัง ลูกลัดตอาจติดขัด ดึงหรือติดกลับได้หากเริ่มใช้เครื่องมือไฟฟ้าระหว่างที่ยังคาวอยู่ในชิ้นงาน
5. รองรับแผ่นหรือชิ้นงานขนาดใหญ่ต่างๆ เพื่อลดความเสี่ยงในการที่ลูกลัดตจะบีบแน่นและติดกลับ ชิ้นงานที่มีขนาดใหญ่มีแนวโน้มที่จะแอ่นลงเนื่องจากน้ำหนักของแผ่นเอง ควรวางที่รองรับไว้ได้ชิ้นงานให้ใกล้กับขอบของชิ้นงานทั้งสองด้านของลัด
6. ใช้ความระมัดระวังเป็นพิเศษขณะทำการ “ตัดผ่าน” กำแพงที่มีอยู่แล้วหรือพื้นที่มีม็อบอื่นๆ ลัดที่ยื่นออกมาอาจตัดท่อก๊าซหรือท่อน้ำ สายไฟฟ้าหรือสิ่งของอื่นๆ ที่อาจทำให้เกิดการติดกลับได้

คำเตือนด้านความปลอดภัยสำหรับการทำงานขีด:

1. อย่าใช้แผ่นกระดาษทรายที่มีขนาดใหญ่เกินไป ปฏิบัติตามคำแนะนำของผู้ผลิตเมื่อเลือกกระดาษทรายกระดาษทรายที่ใหญ่เกินไปจะยื่นออกมาเกินแผ่นขีดและจะทำให้เกิดการฝีกขาด เป็นสาเหตุของการสะดุดจามขำตุ้ หรือการติดกลับได้

คำเตือนด้านความปลอดภัยสำหรับการใช้แปรงลวดขีด:

1. โปรดระวังเส้นลวดหลุดออกมาจากแปรงระหว่างการทำงานปกติ อย่ากดดันเส้นลวดมากเกินไปด้วยการใส่โหลตที่แปรงมากเกินไปจน เส้นลวดสามารถทะลุเสื้อผ้าบางๆ และ/หรือผิวหนังได้อย่างง่ายดาย

2. หากจำเป็นต้องใช้ที่ป้องกันสำหรับการขีดด้วยแปรงลวด อย่าให้ลวดหรือแปรงลวดแทรกเข้าไปในที่ป้องกัน ลวดลวดหรือแปรงลวดอาจมีเส้นผ่านศูนย์กลางที่ขยายใหญ่ขึ้นเนื่องจากไหลลดการทำงานและแรงหนีศูนย์กลาง

คำเตือนด้านความปลอดภัยเพิ่มเติม:

1. เมื่อใช้ใบเบียงศูนย์จคม ตรวจสอบให้แน่ใจว่าคุณใช้ลัดที่เสริมแรงด้วยใยแก้วเท่านั้น
2. ห้ามใช้ลัดประเภทถ้วยหินกับเครื่องขีดชนิดนี้เด็ดขาด เครื่องขีดชนิดนี้ไม่ได้ถูกออกแบบมาสำหรับลัดประเภทเหล่านี้ และการใช้ผลิตภัณฑ์ดังกล่าวอาจทำให้เกิดการบาดเจ็บร้ายแรงได้
3. ระวังอย่าให้แกม (โดยเฉพาะอย่างยิ่งการติดตั้ง) หรือ น็อตเสียหาย การที่ส่วนต่างๆ เหล่านี้เสียหายอาจเป็นสาเหตุให้ลูกลัดตเสียหายได้
4. ตรวจสอบให้แน่ใจว่าลูกลัดตนั้นไม่ได้สัมผัสกับชิ้นงานก่อนที่จะเปิดสวิตซ์
5. ก่อนที่จะใช้เครื่องมือบนชิ้นงานจริง ปล่อยให้เครื่องมือทำงานเปล่าๆ ลักครู่ ดูการสั่นสะเทือนหรือโยกโคลงที่อาจแสดงถึงการใส่และการให้สมดุลลูกลัดตที่ไม่ดีพอ
6. ใช้พื้นผิววงลัดที่ระบุในการขีด
7. อย่าปล่อยให้เครื่องมือทำงานค้างไว้ ใช้งานเครื่องมือในขณะที่ถืออยู่เท่านั้น
8. ห้ามสัมผัสกับชิ้นงานทันทีที่ทำงานเสร็จ เนื่องจากชิ้นงานอาจมีความร้อนสูงและลวกผิวหนังของคุณได้
9. ปฏิบัติตามคำแนะนำของผู้ผลิตในการติดตั้งและการใช้ลูกลัด ใช้งานและจัดเก็บลูกลัดด้วยความระมัดระวัง
10. อย่าใช้แปรงหรือตัวแปลงแบบแยกเพื่อแปลงรูลัดขีดขนาดใหญ่
11. ใช้แต่แกนสำหรับเครื่องมือนี้เท่านั้น
12. สำหรับเครื่องมือที่ใช้สำหรับติดตั้งกับล้อรูเสียบ ให้ตรวจสอบให้แน่ใจว่ารูในลัดยาวพอที่จะรับความยาวของแกนได้
13. ตรวจสอบว่าชิ้นงานมีสิ่งรองรับหรือค้ำยันที่มั่นคง
14. พึงระลึกไว้เสมอว่าลูกลัดตจะยังคงหมุนต่อไปแม้ว่าจะปิดเครื่องมือแล้วก็ตาม
15. หากสถานที่ปฏิบัติงานนั้นร้อนและชื้นมาก หรือมีฝุ่นมาก ให้ใช้เบรกเกอร์ป้องกันการลัดวงจร (30 mA) เพื่อการใช้งานอย่างปลอดภัย
16. อย่าใช้เครื่องมือกับวัสดุที่มีแร่ใยหิน
17. เมื่อใช้ลัดตัด ให้ใช้ที่ป้องกันลัดเก็บฝุ่นตามที่กำหนดโดยข้อบังคับในประเทศ
18. งานตัดต้องไม่ได้รับแรงดันใดๆ ทั้งสิ้นจากด้านข้าง

- อย่าใช้ถุงมือทำงานแบบผ้าระหว่างการทำงาน เส้นใยจากถุงมือผ้าอาจเข้าไปในเครื่องมือ ซึ่งจะทำให้เครื่องมือเสียหายได้

ปฏิบัติตามคำแนะนำเหล่านี้

คำเตือน: อย่าให้ความไม่ระมัดระวังหรือความคุ้นเคยกับผลิตภัณฑ์ (จากการใช้งานซ้ำหลายครั้ง) อยู่เหนือการปฏิบัติตามกฎเกณฑ์ด้านความปลอดภัยในการใช้งานผลิตภัณฑ์อย่างเคร่งครัด การใช้งานอย่างไม่เหมาะสมหรือการไม่ปฏิบัติตามกฎเกณฑ์ด้านความปลอดภัยในคู่มือการใช้งานนี้อาจทำให้ได้รับบาดเจ็บร้ายแรง

คำแนะนำเพื่อความปลอดภัยที่สำคัญสำหรับดัลลิบแบตเตอรี่

- ก่อนใช้งานดัลลิบแบตเตอรี่ให้อ่านคำแนะนำและเครื่องหมายเตือนทั้งหมดบน (1) เครื่องชาร์จแบตเตอรี่ (2) แบตเตอรี่ และ (3) ตัวผลิตภัณฑ์ที่ใช้แบตเตอรี่
- ห้ามถอดแยกส่วนดัลลิบแบตเตอรี่
- หากระยะเวลาที่เครื่องทำงานสั้นเกินไป ให้หยุดใช้งานทันที เนื่องจากอาจมีความเสี่ยงที่จะร้อนจัดไหม้หรือระเบิดได้
- หากสารละลายอิเล็กโทรไลต์กระเด็นเข้าตา ให้ล้างออกด้วยน้ำเปล่าและรีบไปพบแพทย์ทันที เนื่องจากอาจทำให้ตาบอด
- ห้ามลัดวงจรดัลลิบแบตเตอรี่:
 - ห้ามแตะขั้วกับวัตถุที่เป็นสื่อไฟฟ้าใดๆ
 - หลีกเลี่ยงการเก็บดัลลิบแบตเตอรี่ไว้ในภาชนะร่วมกับวัตถุที่เป็นโลหะ เช่น กรรไกรตัดเล็บ เหรียญ ฯลฯ
 - อย่าให้ดัลลิบแบตเตอรี่ถูกน้ำหรือฝน แบตเตอรี่ลัดวงจรอาจทำให้เกิดการไหลของกระแสไฟฟ้า ร้อนจัดไหม้หรือเสียหายได้
- ห้ามเก็บเครื่องมือและดัลลิบแบตเตอรี่ไว้ในสถานที่ที่มีอุณหภูมิสูงถึงหรือเกิน 50 °C
- ห้ามเผาตลับแบตเตอรี่ทิ้ง แม้ว่าแบตเตอรี่จะเสียหายจนใช้การไม่ได้หรือเสื่อมสภาพแล้ว ดัลลิบแบตเตอรี่อาจระเบิดในกองไฟ
- ระวังอย่าทำแบตเตอรี่ตกหล่นหรือกระทบกระแทก
- ห้ามใช้แบตเตอรี่ที่เสียหาย

- แบตเตอรี่ลิเทียมไอออนที่มีมาให้มาเป็นไปตามข้อกำหนดของ Dangerous Goods Legislation สำหรับการขนส่งเพื่อการพาณิชย์ เช่น โดยบุคคลที่สาม ตัวแทนขนส่งสินค้า จะต้องตรวจสอบข้อกำหนดพิเศษในด้านการบรรจุหีบห่อหรือการติดป้ายสินค้าในการเตรียมสินค้าที่จะขนส่ง ให้ปรึกษาผู้เชี่ยวชาญด้านวัตถุอันตราย โปรดตรวจสอบข้อกำหนดในประเทศที่อาจมีรายละเอียดอื่น ๆ เพิ่มเติม ให้ติดเทปหรือปิดหน้าสัมผัสและห่อแบตเตอรี่ในลักษณะที่แบตเตอรี่จะไม่เคลื่อนที่ไปมาในหีบห่อ
- เมื่อกำจัดดัลลิบแบตเตอรี่ ให้ถอดดัลลิบแบตเตอรี่ออกจากเครื่องมือและกำจัดในสถานที่ที่ปลอดภัย ปฏิบัติตามข้อบังคับในท้องถิ่นเกี่ยวกับการกำจัดแบตเตอรี่
- ใช้แบตเตอรี่กับผลิตภัณฑ์ที่ระบุโดย Makita เท่านั้น การติดตั้งแบตเตอรี่ในผลิตภัณฑ์ที่ไม่ใช่ตามที่ระบุอาจทำให้เกิดไฟไหม้ ความร้อนสูง ระเบิด หรืออิเล็กทรอนิกส์ตัวรับไหลได้
- หากไม่ใช่เครื่องมือเป็นระยะเวลานาน จะต้องถอดแบตเตอรี่ออกจากเครื่องมือ

ปฏิบัติตามคำแนะนำเหล่านี้

ข้อควรระวัง: ใช้แบตเตอรี่ของแท้จาก Makita เท่านั้น การใช้แบตเตอรี่ Makita ที่ไม่แท้ หรือแบตเตอรี่ที่ถูกเปลี่ยน อาจทำให้แบตเตอรี่ระเบิด ก่อให้เกิดเพลิงลุกไหม้ การบาดเจ็บ และความเสียหายได้ และจะทำให้การรับประกันของ Makita สำหรับเครื่องมือและแท่นชาร์จของ Makita เป็นโมฆะด้วย

เคล็ดลับในการรักษาอายุการใช้งานของแบตเตอรี่ให้ยาวนานที่สุด

- ชาร์จดัลลิบแบตเตอรี่ก่อนที่ไฟจะหมด หยุดการใช้งานแล้วชาร์จประจุไฟฟ้าใหม่ทุกครั้งเมื่อคุณรู้สึกว่าคุณประณีมีกำลังลดลง
- อย่าชาร์จดัลลิบแบตเตอรี่ที่มีไฟเต็มแล้ว การชาร์จประจุไฟฟ้ามากเกินไปอาจจะทำให้อายุการใช้งานของดัลลิบแบตเตอรี่สั้นลง
- ชาร์จประจุไฟฟ้าดัลลิบแบตเตอรี่ในห้องที่มีอุณหภูมิระหว่าง 10 °C - 40 °C ปล่อยให้ดัลลิบแบตเตอรี่เย็นลงก่อนที่จะชาร์จไฟ
- ชาร์จไฟดัลลิบแบตเตอรี่หากคุณไม่ต้องการใช้เป็นเวลานาน (เกินกว่าหกเดือน)

คำแนะนำด้านความปลอดภัยที่สำคัญสำหรับ อุปกรณ์รับส่งสัญญาณไร้สาย

1. อย่าถอดแยกชิ้นส่วนหรือปรับเปลี่ยนอุปกรณ์รับส่งสัญญาณไร้สาย
2. เก็บอุปกรณ์รับส่งสัญญาณไร้สายให้ห่างจากเด็กเล็ก หากเด็กกลืนอุปกรณ์เข้าไปโดยบังเอิญ โปรดพาไปพบแพทย์ทันที
3. ใช้อุปกรณ์รับส่งสัญญาณไร้สายกับเครื่องมือของ Makita เท่านั้น
4. อย่าให้อุปกรณ์รับส่งสัญญาณไร้สายถูกฝนหรืออยู่ในสภาพเปียกชื้น
5. อย่าให้อุปกรณ์รับส่งสัญญาณไร้สายในสถานที่ที่มีอุณหภูมิสูงกว่า 50°C
6. อย่าใช้งานอุปกรณ์รับส่งสัญญาณไร้สายในสถานที่ที่มีเครื่องมือทางการแพทย์อยู่ใกล้ๆ เช่น เครื่องกระตุ้นการเต้นของหัวใจ เป็นต้น
7. อย่าใช้งานอุปกรณ์รับส่งสัญญาณไร้สายในสถานที่ที่มีอุปกรณ์อัตโนมัติอยู่ใกล้ๆ เนื่องจากอุปกรณ์อัตโนมัติอาจทำงานผิดปกติหรือเกิดความผิดพลาดได้
8. อย่าให้อุปกรณ์ไร้สายในสถานที่ที่มีอุณหภูมิสูง หรือสถานที่ที่อาจเกิดไฟฟ้าสถิต หรือสัญญาณรบกวนทางไฟฟ้า
9. อุปกรณ์รับส่งสัญญาณไร้สายอาจสร้างสนามแม่เหล็ก (EMF) แต่ไม่เป็นอันตรายต่อผู้ใช้
10. อุปกรณ์รับส่งสัญญาณไร้สายเป็นเครื่องมือที่มีความแม่นยำ ระวังอย่าทำอุปกรณ์รับส่งสัญญาณไร้สายตกหล่นหรือกระแทก
11. หลีกเลี่ยงการสัมผัสขั้วต่อของอุปกรณ์รับส่งสัญญาณไร้สายด้วยมือเปล่าหรือวัสดุที่ทําจากโลหะ
12. นำแบตเตอรี่ออกจากผลิตภัณฑ์เสมอเมื่อติดตั้งอุปกรณ์รับส่งสัญญาณไร้สายบนผลิตภัณฑ์
13. เมื่อเปิดฝาปิดช่องเสียบ โปรดหลีกเลี่ยงสถานที่ที่ฝุ่นและน้ำอาจเข้าไปในช่องเสียบได้ รักษาช่องทางเข้าช่องเสียบให้สะอาดอยู่เสมอ
14. ใส่อุปกรณ์รับส่งสัญญาณไร้สายในทิศทางที่ถูกต้องเสมอ
15. อย่ากดปุ่มสั่งงานด้วยสัญญาณไร้สายบนอุปกรณ์รับส่งสัญญาณไร้สายแรงจนเกินไป และ/หรือ อย่ากดปุ่มด้วยวัตถุที่มีขอบคม
16. ปิดฝาปิดช่องเสียบขณะใช้งานเสมอ
17. ย่อนำอุปกรณ์รับส่งสัญญาณไร้สายออกจากช่องเสียบในขณะที่เครื่องมือยังเชื่อมต่อกับไฟฟ้าอยู่ มิฉะนั้นอาจทำให้อุปกรณ์รับส่งสัญญาณไร้สายทำงานผิดปกติได้
18. อย่าแคะสติกเกอร์บนอุปกรณ์รับส่งสัญญาณไร้สายออก
19. อย่าแคะสติกเกอร์บนอุปกรณ์รับส่งสัญญาณไร้สาย
20. อย่าวางอุปกรณ์รับส่งสัญญาณไร้สายไว้ในสถานที่ที่อาจเกิดไฟฟ้าสถิตหรือสัญญาณรบกวนทางไฟฟ้า
21. อย่าวางอุปกรณ์รับส่งสัญญาณไร้สายไว้ในสถานที่ที่อาจเกิดความร้อนสูง เช่น รถยนต์ที่จอดไว้กลางแจ้ง
22. อย่าวางอุปกรณ์รับส่งสัญญาณไร้สายไว้ในสถานที่ที่เต็มไปด้วยฝุ่นหรือผง หรือในสถานที่ที่อาจเกิดก๊าซกัดกร่อน
23. การเปลี่ยนแปลงของอุณหภูมิอย่างกะทันหันอาจทำให้อุปกรณ์รับส่งสัญญาณไร้สายขึ้นด้วยหยดน้ำค้างได้ อย่าให้อุปกรณ์รับส่งสัญญาณไร้สายจนกว่าน้ำค้างจะแห้งสนิท
24. เมื่อต้องการทำความสะอาดอุปกรณ์รับส่งสัญญาณไร้สาย ให้ใช้ผ้าแห้งที่อ่อนนุ่มค่อยๆ เช็ดอย่างเบาเมื่ออย่าใช้เบนซิน ทินเนอร์ จาระบีที่นำกระแสไฟฟ้า หรือที่คล้ายกันนี้
25. เมื่อต้องการเก็บอุปกรณ์รับส่งสัญญาณไร้สาย ให้เก็บไว้ในกล่องที่ให้มาหรือในภาชนะที่ปลอดภัยไฟฟ้าสถิต
26. อย่าใส่อุปกรณ์อื่นนอกจากอุปกรณ์รับส่งสัญญาณไร้สายของ Makita เข้าไปในช่องเสียบบนเครื่องมือ
27. อย่าใช้เครื่องมือที่ฝาปิดของช่องเสียบชำรุด น้ำ ฝุ่น และสิ่งสกปรกที่เข้าไปในช่องเสียบอาจทำให้เกิดการทำงานผิดปกติได้
28. อย่าดึงและ/หรือบิดฝาปิดช่องเสียบมากเกินไปจนจำเป็น เก็บฝาปิดไว้หากฝาปิดหลุดออกจากเครื่องมือ
29. เปลี่ยนฝาปิดช่องเสียบใหม่หากสูญหายหรือชำรุด

ปฏิบัติตามคำแนะนำเหล่านี้

คำอธิบายการทำงาน

⚠ ข้อควรระวัง: ตรวจสอบให้แน่ใจว่าได้ปิดสวิทช์เครื่องมือและถอดด้ามแบตเตอรี่ออกก่อนปรับตั้งหรือตรวจสอบการทำงานของเครื่องมือ

การใส่หรือการถอดด้ามแบตเตอรี่

⚠ ข้อควรระวัง: ปิดสวิทช์เครื่องมือก่อนทำการติดตั้งหรือการถอดด้ามแบตเตอรี่ทุกครั้ง

⚠ ข้อควรระวัง: ถือเครื่องมือและด้ามแบตเตอรี่ให้แน่นในระหว่างการติดตั้งหรือการถอดด้ามแบตเตอรี่ หากไม่ถือเครื่องมือและด้ามแบตเตอรี่ให้แน่น อาจทำให้ด้ามแบตเตอรี่และเครื่องมือสั่นหลุดมือ และทำให้เครื่องมือและด้ามแบตเตอรี่เสียหายหรือได้รับบาดเจ็บได้

▶ **หมายเลข 1:** 1. ไฟแสดงสถานะสีแดง 2. ปุ่ม 3. ด้ามแบตเตอรี่

เมื่อต้องการถอดด้ามแบตเตอรี่ ให้เลื่อนปุ่มที่ด้านหน้าของด้ามแล้วดึงออกจากเครื่องมือ

เมื่อต้องการติดตั้งด้ามแบตเตอรี่ ให้จัดแนวสันบนด้ามแบตเตอรี่ให้ตรงกับร่องบนตัวเครื่องมือ แล้วเลื่อนด้ามแบตเตอรี่เข้าที่ ติดตั้งด้ามแบตเตอรี่เข้าจนสุดจนกระทั่งได้ยินเสียงคลิกล็อคเข้าที่ หากยังเห็นส่วนสีแดงที่ด้านบนของปุ่ม แสดงว่าด้ามแบตเตอรี่ยังไม่ล็อคเข้าที่

⚠ ข้อควรระวัง: ให้ดันด้ามแบตเตอรี่เข้าจนสุดจนไม่เห็นส่วนสีแดงอีก ไม่เช่นนั้น ด้ามแบตเตอรี่อาจหลุดออกจากเครื่องมือทำให้คุณหรือคนรอบข้างได้รับบาดเจ็บ

⚠ ข้อควรระวัง: อย่าฝืนติดตั้งด้ามแบตเตอรี่โดยใช้แรงมากเกินไป หากด้ามแบตเตอรี่ไม่เลื่อนเข้าไปโดยง่าย แสดงว่าใส่ไม่ถูกต้อง

การระบุระดับพลังงานแบตเตอรี่ที่เหลืออยู่

สำหรับด้ามแบตเตอรี่ที่มีตัวแสดงสถานะเท่านั้น

▶ **หมายเลข 2:** 1. ไฟแสดงสถานะ 2. ปุ่มตรวจสอบ

กดปุ่ม ตรวจสอบ บนด้ามแบตเตอรี่เพื่อดูปริมาณแบตเตอรี่ที่เหลือ ไฟแสดงสถานะจะสว่างขึ้นเป็นเวลาสองสามวินาที

ไฟแสดงสถานะ			แบตเตอรี่ที่เหลือ
ไฟสว่าง	ดับ	กะพริบ	
			75% ถึง 100%
			50% ถึง 75%
			25% ถึง 50%
			0% ถึง 25%
			ชาร์จไฟแบตเตอรี่
			แบตเตอรี่อาจจะเสีย

หมายเหตุ: ขึ้นอยู่กับสภาพการใช้งานและอุณหภูมิ โดยรอบ การแสดงสถานะอาจจะแตกต่างจากปริมาณแบตเตอรี่จริงเล็กน้อย





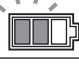
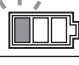

การระบุระดับพลังงานแบตเตอรี่ที่เหลืออยู่

กำหนดเฉพาะประเทศ

เมื่อเปิดเครื่องขึ้นมา ไฟแสดงสถานะแบตเตอรี่จะแสดง ความจุแบตเตอรี่ที่เหลืออยู่

► **หมายเลข 3:** 1. ไฟแสดงสถานะแบตเตอรี่

ความจุแบตเตอรี่ที่เหลืออยู่จะแสดงตามตารางต่อไปนี้

สถานะของไฟแสดงสถานะแบตเตอรี่			ความจุ แบตเตอรี่ที่ เหลืออยู่
 สว่าง	 ดับ	 กะพริบ	
			50% ถึง 100%
			20% ถึง 50%
			0% ถึง 20%
			ชาร์จ แบตเตอรี่

ระบบป้องกันเครื่องมือ/แบตเตอรี่




เครื่องมือมีระบบป้องกันเครื่องมือ/แบตเตอรี่ ระบบนี้จะตัดไฟที่ส่งไปยังมอเตอร์โดยอัตโนมัติเพื่อป้องกันการใช้งานเครื่องมือและแบตเตอรี่ เครื่องมือจะหยุดทำงานระหว่างการใช้งานโดยอัตโนมัติ หากเครื่องมือหรือแบตเตอรี่อยู่ภายใต้สถานการณ์ต่อไปนี้

การป้องกันโอเวอร์โหลด

เมื่อเครื่องมือทำงานในรูปแบบที่อาจจะดึงพลังงานไฟฟ้าสูงเกินไป เครื่องมือจะหยุดโดยอัตโนมัติโดยไม่มีการแจ้งเตือนใดๆ ในกรณีนี้ ให้ปิดเครื่องมือและหยุดการใช้งานในลักษณะที่อาจทำให้เครื่องมือทำงานหนักเกินไป แล้วเปิดเครื่องมือเพื่อเริ่มทำงานอีกครั้ง

การป้องกันความร้อนสูงเกิน

เมื่อเครื่องมือมีความร้อนสูงเกินไป เครื่องมือจะหยุดทำงานโดยอัตโนมัติและไฟแสดงสถานะแบตเตอรี่จะแสดงสถานะต่อไปนี ในกรณีนี้ ปล่อยให้เครื่องมือเย็นลงก่อนที่จะเปิดเครื่องมืออีกครั้ง

 สว่าง	 กะพริบ
	





หากเครื่องมือไม่เริ่มทำงาน แสดงว่าแบตเตอรี่อาจจะร้อนเกินไป ในกรณีนี้ ให้ปล่อยให้แบตเตอรี่ให้เย็นลงก่อนที่จะเริ่มใช้เครื่องมืออีกครั้ง

การป้องกันไฟหมด

เมื่อแบตเตอรี่มีระดับพลังงานไม่เพียงพอ เครื่องมือจะหยุดโดยอัตโนมัติ ในกรณีนี้ ให้ถอดแบตเตอรี่ออกจากเครื่องมือและนำแบตเตอรี่ไปชาร์จไฟ

การปล่อยตัวล๊อคป้องกัน

เมื่อระบบป้องกันทำงานซ้ำๆ เครื่องมือจะถูกล๊อคและไฟแสดงสถานะแบตเตอรี่จะแสดงสถานะต่อไปนี้ ในกรณีนี้ เครื่องมือจะไม่เริ่มทำงานแม้ว่าจะเปิดและปิดเครื่องมือแล้ว เมื่อต้องการปล่อยตัวล๊อคป้องกัน ให้ถอดแบตเตอรี่ออก ใส่ไว้ในเครื่องชาร์จแบตเตอรี่และรอจนกว่าจะชาร์จเสร็จ

 สว่าง	 ดับ	 กะพริบ
		

ล๊อคก้าน

กดที่ล๊อคก้านเพื่อป้องกันไม่ให้นักงาหมุนเมื่อติดตั้งหรือถอดอุปกรณ์เสริม

► **หมายเลข 4:** 1. ล๊อคก้าน

ข้อสังเกต: ห้ามดันที่ล๊อคก้านขณะที่แกนกำลังขยับ เครื่องมืออาจเสียหายได้

การทำงานของสวิตช์

⚠️ ข้อควรระวัง: ก่อนติดตั้งตัวแบตเตอรี่ลงในเครื่องมือให้ตรวจสอบว่าสวิตช์สั่งงานสามารถทำงานได้อย่างถูกต้อง และกลับไปยังตำแหน่ง “OFF” เมื่อปล่อย

⚠️ ข้อควรระวัง: เพื่อความปลอดภัยของคุณ เครื่องมือนี้มีก้านปลดล็อคติดตั้งมาด้วยซึ่งจะช่วยป้องกันไม่ให้เครื่องมือสตาร์ทโดยไม่ได้ตั้งใจ ห้ามใช้เครื่องมือหากเครื่องมือสามารถทำงานได้เมื่อคุณดึงสวิตช์สั่งงานโดยไม่ได้กดก้านปลดล็อค นำเครื่องมือส่งศูนย์บริการที่ผ่านการรับรองของเราเพื่อทำการซ่อมแซมก่อนการใช้งาน

⚠️ ข้อควรระวัง: อย่าดึงก้านสวิตช์แรงๆ โดยไม่ได้ดึงก้านปลดล็อค การทำเช่นนี้อาจทำให้สวิตช์เสียหายได้

⚠️ ข้อควรระวัง: ห้ามพันเทปหรือขัดขวางการทำงานของก้านปลดล็อค

เพื่อป้องกันไม่ให้ก้านสวิตช์ถูกดึงโดยไม่ได้ตั้งใจมีก้านปลดล็อคติดตั้งไว้

วิธีการเปิดใช้งานเครื่องมือ ให้ดึงก้านปลดล็อคสวิตช์เข้าหาผู้ปฏิบัติงานแล้วกดก้านสวิตช์

หยุดเครื่องมือโดยปล่อยก้านสวิตช์

▶ **หมายเลข 5:** 1. ก้านปลดล็อค 2. ก้านสวิตช์

ปรับปรับความเร็ว

ความเร็วในการหมุนของเครื่องมือสามารถเปลี่ยนได้ด้วยการหมุนปรับปรับความเร็ว ตารางด้านล่างแสดงหมายเลขบนแป้น และความเร็วการหมุนที่สอดคล้องกัน

▶ **หมายเลข 6:** 1. แป้นปรับความเร็ว

หมายเลข	ความเร็ว
1	3,000 min ⁻¹
2	4,500 min ⁻¹
3	6,000 min ⁻¹
4	7,500 min ⁻¹
5	8,500 min ⁻¹

ข้อสังเกต: หากเครื่องมือถูกใช้งานอย่างต่อเนื่องด้วยความเร็วต่ำเป็นเวลานาน มอเตอร์จะทำงานหนักเกินไปซึ่งทำให้เครื่องมือทำงานผิดปกติได้

ข้อสังเกต: เมื่อต้องการเปลี่ยนความเร็วแป้นจาก “5” เป็น “1” ให้หมุนแป้นทวนเข็มนาฬิกา อย่าฝืนหมุนแป้นตามเข็มนาฬิกา

การเปลี่ยนความเร็วอัตโนมัติ

▶ **หมายเลข 7:** 1. ไฟแสดงสถานะโหมด

สถานะของไฟแสดงสถานะโหมด	โหมดการทำงาน
	โหมดความเร็วสูง
	โหมดแรงบิดสูง

เครื่องมือนี้มี “โหมดความเร็วสูง” และ “โหมดแรงบิดสูง” โดยจะเปลี่ยนโหมดการทำงานตามปริมาณงานโดยอัตโนมัติเมื่อไฟแสดงสถานะโหมดสว่างขึ้นระหว่างทำงาน เครื่องมือนี้จะอยู่ในโหมดแรงบิดสูง

ฟังก์ชันป้องกันการรีสตาร์ทโดยไม่ได้ตั้งใจ

แม้จะทำการติดตั้งตัวแบตเตอรี่ระหว่างดึงก้านสวิตช์ แต่เครื่องมือจะไม่เริ่มทำงาน

เมื่อต้องการเปิดใช้เครื่องมือ ให้ปล่อยก้านสวิตช์ก่อน แล้วดึงก้านปลดล็อค และดึงก้านสวิตช์

ฟังก์ชันควบคุมแรงบิดอิเล็กทรอนิกส์

เครื่องมือนี้จะตรวจสอบสถานการณ์ที่มีความเสี่ยงที่ล้อหรืออุปกรณ์เสริมอาจติด ในกรณีนี้ เครื่องมือจะปิดโดยอัตโนมัติเพื่อป้องกันไม่ให้แกนหมุนทำงานต่อไป (ไม่ได้ป้องกันการติดกลับ)

เมื่อต้องการให้เครื่องมือเริ่มทำงานใหม่ ขั้นแรกให้ปิดเครื่องมือก่อน กำจัดสาเหตุที่ทำให้ความเร็วในการหมุนตกลงกะทันหัน แล้วจึงเปิดเครื่องมือ

คุณสมบัติซอฟต์แวร์

คุณสมบัติซอฟต์แวร์จะช่วยลดปฏิบัติการในการสตาร์ทให้น้อยลง

เบรกไฟฟ้า

เบรกไฟฟ้าจะทำงานหลังจากปิดเครื่องมือแล้ว

เบรกจะไม่ทำงานเมื่อแหล่งจ่ายไฟปิด เช่นแบตเตอรี่ถูกถอดโดยไม่ได้ตั้งใจโดยที่สวิตช์ยังเปิดอยู่

การประกอบ

⚠ คำควรระวัง: ตรวจสอบให้แน่ใจว่าได้ปิดสวิทช์เครื่องมือและถอดด้ามแบตเตอรี่ออกก่อนปรับตั้งหรือตรวจสอบการทำงานของเครื่องมือ

การติดตั้งด้ามจับด้านข้าง (มือจับ)

⚠ คำควรระวัง: ตรวจสอบให้แน่ใจทุกครั้งว่าด้ามจับด้านข้างติดตั้งอย่างมั่นคงก่อนที่จะทำงาน

ขันด้ามจับด้านข้างให้แน่นในตำแหน่งของเครื่องมือตามที่แสดงในภาพ

▶ หมายเลข 8

การติดตั้งหรือถอดที่ป้องกันล้อ (สำหรับใบ

เจียศูนย์จัม งานทรายซ้อน ใบเจียแบบยึดหยุ่น แปรงลดทกกลม/ล้อตัดแบบขัด ลูกล้อเพชร)

⚠ คำเตือน: เมื่อใช้ใบเจียศูนย์จัม งานทรายซ้อน ใบเจียแบบยึดหยุ่น หรือแปรงลดทกกลม ต้องติดตั้งที่ป้องกันใบบนเครื่องมือเพื่อให้ในด้านที่ปิดของที่ป้องกันซึ่งเข้าหาผู้ปฏิบัติงานเสมอ

⚠ คำเตือน: เมื่อใช้งานล้อตัดแบบขัด/ลูกล้อเพชร ตรวจสอบให้แน่ใจว่าใช้ที่ป้องกันล้อพิเศษที่ออกแบบมาเพื่อใช้งานกับล้อตัดเท่านั้น

(ในบางประเทศในยุโรป สามารถใช้ที่ป้องกันทั่วไปได้เมื่อใช้งานลูกล้อเพชร โปรดปฏิบัติตามข้อบังคับในประเทศของคุณ)

สำหรับเครื่องมือที่มีที่ป้องกันล้อประเภทสกรูล็อค

ติดตั้งที่ป้องกันล้อโดยให้ส่วนที่ยื่นออกมาจากฝาครอบใบเจียตรงกับเครื่องหมายบนกล่องตัลบลูกปืน จากนั้นให้หมุนที่ป้องกันล้อให้อยู่ในองศาที่สามารถป้องกันผู้ปฏิบัติงานในการทำงานได้ ตรวจสอบให้แน่ใจว่าได้ขันสลักเกลียวให้แน่นเมื่อต้องการถอดที่ป้องกันล้อ ให้ปฏิบัติย้อนขั้นตอนการติดตั้ง

▶ หมายเลข 9: 1. ที่ป้องกันล้อ 2. กล่องตัลบลูกปืน 3. สกรู

สำหรับเครื่องมือที่มีที่ป้องกันล้อประเภทคานยึด

คลายสกรู แล้วดึงคานในทิศทางตามลูกศร ติดตั้งที่ป้องกันล้อโดยให้ส่วนที่ยื่นออกมาจากฝาครอบใบเจียตรงกับเครื่องหมายบนกล่องตัลบลูกปืน จากนั้นให้หมุนที่ป้องกันล้อให้อยู่ในองศาที่สามารถป้องกันผู้ปฏิบัติงานในการทำงานได้

▶ หมายเลข 10: 1. ที่ป้องกันล้อ 2. กล่องตัลบลูกปืน 3. สกรู 4. ก้าน

ดึงคานในทิศทางตามลูกศร แล้วขันที่ป้องกันล้อให้แน่นโดยขันสกรู ตรวจสอบว่าได้ขันสลักเกลียวให้แน่นแล้ว มุมการติดตั้งที่ป้องกันล้อสามารถปรับได้ด้วยคาน

▶ หมายเลข 11: 1. สกรู 2. ก้าน

เมื่อต้องการถอดที่ป้องกันล้อ ให้ปฏิบัติย้อนขั้นตอนการติดตั้ง

การติดตั้งหรือการถอดใบเจียศูนย์จัมหรืองานทรายซ้อน

อุปกรณ์เสริม

⚠ คำเตือน: เมื่อใช้ใบเจียศูนย์จัมหรืองานทรายซ้อน ต้องติดตั้งที่ป้องกันใบบนเครื่องมือเพื่อให้ในด้านที่ปิดของที่ป้องกันซึ่งเข้าหาผู้ปฏิบัติงานเสมอ

⚠ คำควรระวัง: ตรวจสอบว่าส่วนที่ยึดของแกนตัวในยึดเข้าไปในเส้นผ่านศูนย์กลางของใบเจียศูนย์จัม/งานทรายซ้อนพอดี การติดตั้งแกนตัวในผิดด้านอาจทำให้เกิดการสั่นสะเทือนที่เป็นอันตรายได้

ติดตั้งแกนตัวในเข้ากับแกนหมุน

ตรวจสอบว่ายึดส่วนที่เป็นรอยเว้าของแกนตัวในเข้ากับส่วนที่เป็นแท่งตรงของฐานแกนหมุน

ติดตั้งใบเจียศูนย์จัม/งานทรายซ้อนเข้ากับแกนตัวในแล้วขันน็อตล็อคเข้ากับแกนหมุน

▶ หมายเลข 12: 1. น็อตล็อค 2. ใบเจียศูนย์จัม 3. แกนตัวใน 4. ส่วนที่ยึด

วิธีการขันแน่นน็อตล็อค ให้กดที่ล็อคก้านให้แน่นเพื่อให้แกนหมุนไม่หมุน แล้วใช้ประแจขันน็อตล็อคขันตามเข็มนาฬิกาให้แน่น

▶ หมายเลข 13: 1. ประแจขันน็อตล็อค 2. ล็อคก้าน
เมื่อต้องการถอดล้อ ให้ปฏิบัติย้อนขั้นตอนการติดตั้ง

การติดตั้งหรือการถอดไปเจียแบบยึดหยุ่น

อุปกรณ์เสริม

คำเตือน: ไซท์ป้องกันที่ใส่มาเสมอเมื่อมีใบเจียบนเครื่องมือ ล้อสามารถแตกและเด้งได้ในระหว่างการใช้งาน และที่ป้องกันจะช่วยลดโอกาสในการเกิดการบาดเจ็บได้

- หมายเลข 14: 1. น็อตล็อก 2. ใบเจียแบบยึดหยุ่น
3. แผ่นรอง 4. แกนตัวโน

ปฏิบัติตามคำแนะนำสำหรับใบเจียศูนย์จุม แต่ให้ใช้แผ่นรองเหนือใบเจียด้วย ดูลำดับการประกอบในหน้าอุปกรณ์เสริมของคู่มือฉบับนี้

การติดตั้งหรือถอดจานขัด

อุปกรณ์เสริม

หมายเหตุ: ใช้แต่อุปกรณ์ขัดที่ระบุคู่มือการใช้งานฉบับนี้เท่านั้น ซึ่งจะต้องซื้อแยกต่างหาก

สำหรับรุ่น 100 mm

- หมายเลข 15: 1. น็อตล็อกขัดกระดาษทราย 2. จานขัด 3. แผ่นยาง 4. แกนตัวโน

1. ติดตั้งแกนตัวโนเข้ากับแกนหมุน
2. ติดตั้งแผ่นยางเข้ากับแกนหมุน
3. ติดตั้งจานเข้ากับแผ่นยางแล้วขันน็อตล็อกขัดกระดาษทรายเข้ากับแกนหมุน
4. ยึดแกนหมุนด้วยที่ล็อกก้านและขันน็อตล็อกขัดกระดาษทรายให้แน่นตามเข็มนาฬิกาด้วยประแจขันน็อตล็อก

เมื่อต้องการถอดจาน ให้ปฏิบัติย้อนขั้นตอนการติดตั้ง

สำหรับรุ่น 115 mm / 125 mm

- หมายเลข 16: 1. น็อตล็อกขัดกระดาษทราย 2. จานขัด 3. แผ่นยาง

1. ติดตั้งแผ่นยางเข้ากับแกนหมุน
2. ติดตั้งจานเข้ากับแผ่นยางแล้วขันน็อตล็อกขัดกระดาษทรายเข้ากับแกนหมุน
3. ยึดแกนหมุนด้วยที่ล็อกก้านและขันน็อตล็อกขัดกระดาษทรายให้แน่นตามเข็มนาฬิกาด้วยประแจขันน็อตล็อก

เมื่อต้องการถอดจาน ให้ปฏิบัติย้อนขั้นตอนการติดตั้ง

การต่อเครื่องดูดฝุ่น

อุปกรณ์เสริม

คำเตือน: ห้ามดูดเศษผงโลหะที่เกิดจากการขัด/การตัด/การขัดด้วยกระดาษทราย เศษผงโลหะที่เกิดจากการทำงานดังกล่าวอาจมีความร้อนสูงซึ่งทำให้ฝุ่นและตัวกรองภายในที่ดูดฝุ่นติดไฟได้

เพื่อหลีกเลี่ยงสภาพแวดล้อมที่เต็มไปด้วยฝุ่นซึ่งเกิดจากการตัดอิฐ ให้ไซท์ป้องกันล้อเก็บฝุ่นและที่ดูดฝุ่นโปรตูดคู่มือการใช้งานที่แนบมาที่ป้องกันล้อเก็บฝุ่นในการประกอบและใช้งาน

- หมายเลข 17: 1. ที่ป้องกันล้อเก็บฝุ่น 2. ท่อของที่ดูดฝุ่น

การใช้งาน

คำเตือน: คุณไม่จำเป็นต้องออกแรงกดเครื่องมือ น้ำหนักของเครื่องมือจะก่อให้เกิดแรงกดที่เหมาะสม การฝืนและแรงกดที่มากเกินไปอาจทำให้ใบเจียเสียหายและเป็นอันตรายได้

คำเตือน: เปลี่ยนใบเจียเสมอถ้าทำเครื่องมือตกระหว่างขัด

คำเตือน: ห้ามทาบหรือตีจานขัดหรือใบเจียใส่ชิ้นงาน

คำเตือน: หลีกเลี่ยงการกระดอนและการทำให้ใบเจียติดขัด โดยเฉพาะขณะทำงานที่มุม ขอบมีคม และอื่น ๆ ซึ่งอาจทำให้สูญเสียการควบคุมและเกิดการติดกลับได้

คำเตือน: อย่าใช้เครื่องมือกับใบมีดตัดไม้และใบเลื่อยชนิดอื่นๆ เมื่อใช้ใบมีดชนิดดังกล่าวกับเครื่องขัดมักจะทำให้เกิดการติดกลับบ่อยๆ และเป็นสาเหตุให้สูญเสียการควบคุมและการบาดเจ็บของบุคคลได้

ข้อควรระวัง: อย่าเปิดเครื่องมือในขณะที่สัมผัสกับชิ้นงาน เนื่องจากอาจทำให้ผู้ปฏิบัติงานบาดเจ็บได้

ข้อควรระวัง: สวมแว่นตานิรภัยหรือหน้ากากป้องกันใบหน้าเสมอเมื่อปฏิบัติงาน

ข้อควรระวัง: หลังจากปฏิบัติงาน ให้ปิดเครื่องมือเสมอและรอจนกว่าใบเจียจะหยุดสนิท แล้วจึงวางเครื่องมือลง

ข้อควรระวัง: ใช้มือข้างหนึ่งถือเครื่องมือให้แน่นที่ตัวเครื่องและมืออีกข้างจับที่ด้ามจับ (มือจับ) ด้านข้างเสมอ

การขัดและการขัดด้วยกระดาษทราย

▶ หมายเลข 18

เปิดเครื่องมือแล้วใช้ใบเจียหรือจานขัดกับชิ้นงาน โดยทั่วๆ ไป ควรให้ขอบใบเจียหรือจานขัดให้ทำมุมกับชิ้นงานประมาณ 15°

ระหว่างช่วงเบรกอินกับใบเจียใหม่ อย่าดันเครื่องขัดไปข้างหน้า มิฉะนั้นเครื่องขัดจะตตะเข้าไปในชิ้นงาน เมื่อขอบของใบเจียมนเนื่องจากการใช้งานแล้ว ใบเจียสามารถใช้งานได้ทั้งในทิศทางเดินหน้าและถอยหลัง

การใช้งานกับล้อยัดแบบขัด/ลูกล้อเพชร

อุปกรณ์เสริม

คำเตือน: เมื่อใช้งานล้อยัดแบบขัด/ลูกล้อเพชร ตรวจสอบให้แน่ใจว่าใช้ที่ป้องกันล้อยัดที่ออกแบบมาเพื่อใช้งานกับล้อยัดเท่านั้น

ในบางประเทศในยุโรป สามารถใช้ที่ป้องกันทั่วไปได้เมื่อใช้งานลูกล้อเพชร โปรดปฏิบัติตามข้อบังคับในประเทศของคุณ)

คำเตือน: ห้ามใช้ล้อยัดแบบขัดในการขัดด้านข้าง

คำเตือน: อย่าทำให้ลูกล้อ "ติด" หรือใช้แรงดันมากเกินไป อย่าพยายามทำความสะอาดในการตัดมากเกินไป การกดดันลูกล้อมากเกินไปจะเป็นการเพิ่มการโหลดและความไวที่ลูกล้อจะเกิดการบิดหรือการติดขัดระหว่างการตัด และอาจเกิดการตีกลับหรือลูกล้อแตก และมอเตอร์ร้อนเกินไป

คำเตือน: อย่าเริ่มการตัดโดยที่เครื่องมืออยู่ในชิ้นงาน ปลดปล่อยใบเจียทำความเร็วสูงสุดและสอดเข้าไปในรอยตัดอย่างระมัดระวัง โดยขยับเครื่องมือไปข้างหน้าบนพื้นผิวชิ้นงาน ลูกล้ออาจติดขัด ดั้งหรือตีกลับได้หากเริ่มใช้เครื่องมือไฟฟ้าระหว่างที่ยังค้างอยู่ในชิ้นงาน

คำเตือน: ระหว่างการตัด ห้ามเปลี่ยนมุมของใบเจีย การใช้แรงดันด้านข้างกับล้อยัด (เช่นเดียวกับในการขัด) จะทำให้ใบเจียเกิดรอยร้าวและแตก ทำให้เกิดการบาดเจ็บร้ายแรงได้

คำเตือน: ลูกล้อเพชรจะต้องทำงานแบบตั้งฉากกับวัสดุที่จะตัด

- ▶ หมายเลข 19: 1. น็อตล็อก 2. ล้อยัดแบบขัด/ลูกล้อเพชร 3. แขนงตัวใน 4. ที่ป้องกันล้อยัดสำหรับล้อยัดแบบขัด/ลูกล้อเพชร

สำหรับการติดตั้ง ให้ปฏิบัติตามคำแนะนำสำหรับใบเจียศูนย์ลม

ทิศทางสำหรับการติดตั้งน็อตล็อกและแกนตัวในจะแตกต่างกันไปตามประเภทของล้อยัดและความหนา อ้างอิงภาพต่อไปนี้

สำหรับรุ่น 100 mm

เมื่อติดตั้งล้อยัดแบบขัด

- ▶ หมายเลข 20: 1. น็อตล็อก 2. ล้อยัดแบบขัด (บางกว่า 4 mm) 3. ล้อยัดแบบขัด (4 mm หรือหนากว่า) 4. แขนงตัวใน

เมื่อติดตั้งลูกล้อเพชร

- ▶ หมายเลข 21: 1. น็อตล็อก 2. ลูกล้อเพชร (บางกว่า 4 mm) 3. ลูกล้อเพชร (4 mm หรือหนากว่า) 4. แขนงตัวใน

สำหรับรุ่น 115 mm / 125 mm

เมื่อติดตั้งล้อยัดแบบขัด

- ▶ หมายเลข 22: 1. น็อตล็อก 2. ล้อยัดแบบขัด (บางกว่า 4 mm) 3. ล้อยัดแบบขัด (4 mm หรือหนากว่า) 4. แขนงตัวใน

เมื่อติดตั้งลูกล้อเพชร

- ▶ หมายเลข 23: 1. น็อตล็อก 2. ลูกล้อเพชร (บางกว่า 4 mm) 3. ลูกล้อเพชร (4 mm หรือหนากว่า) 4. แขนงตัวใน

การทำงานกับแปรงลวดถั่ว

อุปกรณ์เสริม

คำเตือน: ตรวจสอบการทำงานของแปรงโดยเปิดเครื่องมือให้หมุนเปล่า ตรวจสอบว่าไม่มีใครอยู่ข้างหน้าหรืออยู่ในแนวเดียวกับแปรง

คำเตือน: อย่าใช้แปรงที่เสียหาย หรือไม่สมดุล การใช้แปรงที่เสียหายอาจเป็นการเพิ่มความเสี่ยงที่จะได้รับบาดเจ็บจากการสัมผัสกับลวดแปรงที่หัก

- ▶ หมายเลข 24: 1. แปรงลวดถั่ว

ถอดด้ามแปรงออกจากเครื่องมือและวางห่างไว้เพื่อให้สามารถเข้าถึงแกนหมุนได้ง่าย

ถอดอุปกรณ์เสริมใดๆ บนแกนหมุนออก เสียแปรงลวดถั่วลงบนแกนหมุนและขันด้วยประแจที่ให้มี

ข้อสังเกต: หลีกเลี่ยงการใช้แรงดันมากเกินไปซึ่งจะทำให้ลวดถั่วออกมาเกินไปขณะใช้แปรง และอาจทำให้อุปกรณ์เสียหายก่อนเวลาอันควร

การทำงานกับแปรงลวดกลม

อุปกรณ์เสริม

⚠️ ข้อควรระวัง: ตรวจสอบการทำงานของแปรงลวดกลม โดยเปิดเครื่องมือให้หมุนเปล่า ตรวจสอบว่าไม่มีใครอยู่ข้างหน้าหรืออยู่ในแนวเดียวกับแปรงลวดกลม

⚠️ ข้อควรระวัง: อย่าใช้แปรงลวดกลมที่เสียหาย หรือไม่สมดุล การใช้แปรงลวดกลมที่เสียหายอาจเป็นการเพิ่มความเสียหายที่จะได้รับบาดเจ็บจากการสัมผัสกับลวดที่หัก

⚠️ ข้อควรระวัง: ใช้ที่ป้องกันกับแปรงลวดกลมเสมอ โดยตรวจสอบให้เส้นผ่านศูนย์กลางของลวดสามารถใส่ไว้ด้านในที่ป้องกันได้พอดี ลวดสามารถแตกและเย็บได้ระหว่างการใช้งาน และที่ป้องกันจะช่วยลดโอกาสในการเกิดการบาดเจ็บได้

▶ **หมายเลข 25:** 1. แปรงลวดกลม

ถอดด้ามแปดเตอร์ออกจากเครื่องมือและวางหงายไว้เพื่อให้สามารถเข้าถึงแกนหมุนได้ง่าย

ถอดอุปกรณ์เสริมใดๆ บนแกนหมุนออก เสียบแปรงลวดกลมลงบนแกนหมุนและขันด้วยประแจ

ข้อสังเกต: หลีกเลี่ยงการใช้แรงดันมากเกินไปซึ่งจะทำให้ลวดงอมากเกินไปขณะใช้แปรงลวดกลม และอาจทำให้อุปกรณ์เสียหายก่อนเวลาอันควร

ฟังก์ชันสั่งงานด้วยสัญญาณไร้สาย

สำหรับ DGA418/DGA468/DGA518 เท่านั้น

คุณสามารถทำอะไรกับฟังก์ชันสั่งงานด้วยสัญญาณไร้สายนี้ได้บ้าง

ฟังก์ชันสั่งงานด้วยสัญญาณไร้สายจะทำให้คุณสามารถใช้งานได้อย่างสะดวกสบายและสะอาดเรียบร้อย เมื่อเชื่อมต่อกับที่ดูดฝุ่นที่รองรับเข้ากับเครื่องมือ คุณสามารถทำให้ที่ดูดฝุ่นทำงานได้อย่างอัตโนมัติตามการควบคุมด้วยสวิทช์ของเครื่องมือ

▶ **หมายเลข 26**

การใช้ฟังก์ชันสั่งงานด้วยสัญญาณไร้สาย ให้เตรียมอุปกรณ์ดังต่อไปนี้:

- อุปกรณ์รับส่งสัญญาณไร้สาย (อุปกรณ์เสริม)
- ที่ดูดฝุ่นที่รองรับฟังก์ชันสั่งงานด้วยสัญญาณไร้สาย

ต่อไปนี้เป็นคำอธิบายการตั้งค่าฟังก์ชันสั่งงานด้วยสัญญาณไร้สายแบบย่อ ดูการดำเนินการอย่างละเอียดได้ในแต่ละส่วน

1. การติดตั้งอุปกรณ์รับส่งสัญญาณไร้สาย
2. การบันทึกเครื่องมือสำหรับที่ดูดฝุ่น
3. การเริ่มฟังก์ชันสั่งงานด้วยสัญญาณไร้สาย

การติดตั้งอุปกรณ์รับส่งสัญญาณไร้สาย

อุปกรณ์เสริม

⚠️ ข้อควรระวัง: วางเครื่องมือบนพื้นผิวที่ราบเรียบและมั่นคงขณะทำการติดตั้งอุปกรณ์รับส่งสัญญาณไร้สาย

ข้อสังเกต: ทำความสะอาดฝุ่นและสิ่งสกปรกที่ติดอยู่บนเครื่องมือก่อนติดตั้งอุปกรณ์รับส่งสัญญาณไร้สาย ฝุ่นและสิ่งสกปรกอาจทำให้เครื่องมือทำงานผิดปกติ หากเข้าไปในช่องเสียบของอุปกรณ์รับส่งสัญญาณไร้สาย

ข้อสังเกต: เพื่อป้องกันการทำงานผิดปกติที่เกิดจากไฟฟ้าสถิต ให้สัมผัสกับวัสดุที่ปล่อยไฟฟ้าสถิต เช่น ส่วนที่เป็นโลหะของเครื่องมือก่อนหยิบอุปกรณ์รับส่งสัญญาณไร้สาย

ข้อสังเกต: เมื่อทำการติดตั้งอุปกรณ์รับส่งสัญญาณไร้สาย ตรวจสอบให้แน่ใจว่าอุปกรณ์รับส่งสัญญาณไร้สายถูกใส่เข้าไปในทิศทางที่ถูกต้องและปิดฝาปิดสนิทแล้ว

1. เปิดฝาปิดบนเครื่องมือดังที่แสดงในภาพ

▶ **หมายเลข 27:** 1. ฝาปิด

2. ใส่อุปกรณ์รับส่งสัญญาณไร้สายเข้าไปในช่องเสียบ จากนั้นปิดฝาปิด

เมื่อใส่อุปกรณ์รับส่งสัญญาณไร้สายแล้ว ให้จัดตำแหน่งให้ส่วนที่ยื่นออกมาตรงกับส่วนที่ถอยเข้าไปบนช่องเสียบ

- ▶ **หมายเลข 28:** 1. อุปกรณ์รับส่งสัญญาณไร้สาย 2. ส่วนที่ยื่นออกมา 3. ฝาปิด 4. ส่วนที่ถอยเข้าไป

เมื่อต้องการถอดอุปกรณ์รับส่งสัญญาณไร้สายออก ให้เปิดฝาดอกออกข้าง ขอบเกี่ยวที่ด้านหลังของฝาปิดจะยกอุปกรณ์รับส่งสัญญาณไร้สายในขณะที่คุณดึงฝาปิดขึ้น

- ▶ **หมายเลข 29:** 1. อุปกรณ์รับส่งสัญญาณไร้สาย 2. ขอบเกี่ยว 3. ฝาปิด

หลังจากถอดอุปกรณ์รับส่งสัญญาณไร้สายออกแล้ว ให้เก็บไว้ในกล่องที่ใหม่หรือในภาชนะที่ปลอดภัย

ข้อสังเกต: ใช้ขอเกี่ยวที่ด้านหลังของฝาปิดเมื่อต้องการถอดอุปกรณ์รับส่งสัญญาณไร้สายเสมอ หากขอเกี่ยวไม่เกี่ยวกับอุปกรณ์รับส่งสัญญาณไร้สาย ให้ปิดฝาปิดให้สนิทแล้วเปิดอีกครั้งซ้ำ

การบันทึกเครื่องมือสำหรับที่ดูดฝุ่น

หมายเหตุ: ที่ดูดฝุ่นของ Makita ที่รองรับฟังก์ชันสั่งงานด้วยสัญญาณไร้สายจำเป็นต้องมีการบันทึกเครื่องมือ

หมายเหตุ: ติดตั้งอุปกรณ์รับส่งสัญญาณไร้สายเข้ากับเครื่องมือให้เรียบร้อยก่อนเริ่มบันทึกเครื่องมือ

หมายเหตุ: ระหว่างการบันทึกเครื่องมือ อย่าดึงสวิตช์สั่งงานหรือดึงสวิตช์ไฟบนที่ดูดฝุ่น

หมายเหตุ: โปรดดูคู่มือการใช้งานที่ดูดฝุ่นร่วมด้วย

หากคุณต้องการสั่งงานที่ดูดฝุ่นตามการควบคุมด้วยสวิตช์ของเครื่องมือ ให้บันทึกเครื่องมือให้เสร็จสิ้นก่อน

1. ติดตั้งแบตเตอรี่เข้ากับที่ดูดฝุ่นและเครื่องมือ
 2. ตั้งสวิตช์เตรียมพร้อมบนที่ดูดฝุ่นเป็น "AUTO"
- ▶ **หมายเลข 30:** 1. สวิตช์เตรียมพร้อม
3. กดปุ่มสั่งงานด้วยสัญญาณไร้สายบนที่ดูดฝุ่นค้างไว้ประมาณ 3 วินาที จนกระทั่งดวงไฟแสดงการสั่งงานด้วยสัญญาณไร้สายกะพริบเป็นสีเขียว จากนั้นกดปุ่มสั่งงานด้วยสัญญาณไร้สายบนเครื่องมือในลักษณะเดียวกัน

- ▶ **หมายเลข 31:** 1. ปุ่มสั่งงานด้วยสัญญาณไร้สาย
2. ดวงไฟแสดงการสั่งงานด้วยสัญญาณไร้สาย

หากที่ดูดฝุ่นและเครื่องมือเชื่อมต่อกันเรียบร้อยแล้ว ดวงไฟแสดงการสั่งงานด้วยสัญญาณไร้สายจะสว่างเป็นสีเขียวเป็นเวลา 2 วินาที และจะเริ่มกะพริบเป็นสีฟ้า

หมายเหตุ: ดวงไฟแสดงการสั่งงานด้วยสัญญาณไร้สายจะกะพริบเป็นสีเขียวหลังผ่านไป 20 วินาที กดปุ่มสั่งงานด้วยสัญญาณไร้สายบนเครื่องมือในขณะที่ดวงไฟแสดงการสั่งงานด้วยสัญญาณไร้สายบนที่ดูดฝุ่นกำลังกะพริบอยู่ หากดวงไฟแสดงการสั่งงานด้วยสัญญาณไร้สายไม่กะพริบเป็นสีเขียว ให้ดันปุ่มสั่งงานด้วยสัญญาณไร้สายอีกครั้ง และกดลงไปอีกครั้ง

หมายเหตุ: เมื่อต้องการดำเนินการบันทึกเครื่องมือสองเครื่องขึ้นไปสำหรับที่ดูดฝุ่นเครื่องเดียว ให้บันทึกเครื่องมือทีละเครื่อง

การเริ่มฟังก์ชันสั่งงานด้วยสัญญาณไร้สาย

หมายเหตุ: บันทึกเครื่องมือสำหรับที่ดูดฝุ่นให้เสร็จสิ้นก่อนการสั่งงานด้วยสัญญาณไร้สาย

หมายเหตุ: โปรดดูคู่มือการใช้งานที่ดูดฝุ่นร่วมด้วย

หลังจากบันทึกเครื่องมือเข้ากับที่ดูดฝุ่นแล้ว ที่ดูดฝุ่นจะทำงานตามการควบคุมด้วยสวิตช์ของเครื่องมือโดยอัตโนมัติ

1. ติดตั้งอุปกรณ์รับส่งสัญญาณไร้สายเข้ากับเครื่องมือ
 2. เชื่อมต่อท่อของที่ดูดฝุ่นเข้ากับเครื่องมือ
- ▶ **หมายเลข 32**
3. ตั้งสวิตช์เตรียมพร้อมบนที่ดูดฝุ่นเป็น "AUTO"
- ▶ **หมายเลข 33:** 1. สวิตช์เตรียมพร้อม
4. ดันปุ่มสั่งงานด้วยสัญญาณไร้สายบนเครื่องมือไว้สักครู่ ดวงไฟแสดงการสั่งงานด้วยสัญญาณไร้สายจะกะพริบเป็นสีฟ้า

- ▶ **หมายเลข 34:** 1. ปุ่มสั่งงานด้วยสัญญาณไร้สาย
2. ดวงไฟแสดงการสั่งงานด้วยสัญญาณไร้สาย

5. ดึงสวิตช์สั่งงานของเครื่องมือ ตรวจสอบว่าที่ดูดฝุ่นทำงานในขณะที่สวิตช์สั่งงานถูกดึงไว้อยู่
- การหยุดการสั่งงานด้วยสัญญาณไร้สายของที่ดูดฝุ่นให้ดันปุ่มสั่งงานด้วยสัญญาณไร้สายบนเครื่องมือ

หมายเหตุ: ดวงไฟแสดงการสั่งงานด้วยสัญญาณไร้สายบนเครื่องมือจะหยุดกะพริบเป็นสีฟ้าเมื่อไม่มีการใช้งานเป็นเวลา 2 ชั่วโมง ในกรณีนี้ให้ตั้งสวิตช์เตรียมพร้อมบนที่ดูดฝุ่นไปที่ "AUTO" จากนั้นดันปุ่มสั่งงานด้วยสัญญาณไร้สายบนเครื่องมืออีกครั้ง

หมายเหตุ: ที่ดูดฝุ่นจะเริ่มหยุดทำงานล่าช้าเล็กน้อย ในขณะที่ที่ดูดฝุ่นตรวจจับการควบคุมด้วยสวิตช์ของเครื่องมือจะมีความล่าช้าเกิดขึ้นเล็กน้อย

หมายเหตุ: ระยะเวลาการส่งสัญญาณของอุปกรณ์รับส่งสัญญาณไร้สายอาจแตกต่างกันไปขึ้นอยู่กับสถานที่และสภาวะแวดล้อม

หมายเหตุ: เมื่อมีการบันทึกเครื่องมือสองเครื่องขึ้นไปกับที่ดูดฝุ่นเครื่องเดียว ที่ดูดฝุ่นอาจเริ่มทำงานแม้ว่าคุณจะยังไม่ได้ตั้งสวิตช์สั่งงาน เนื่องจากอาจมีผู้ใช้คนอื่นกำลังใช้ฟังก์ชันสั่งงานด้วยสัญญาณไร้สายอยู่

คำอธิบายสถานะดวงไฟแสดงการสั่งงานด้วยสัญญาณไร้สาย

- **หมายเลข 35:** 1. ดวงไฟแสดงการสั่งงานด้วยสัญญาณไร้สาย

ดวงไฟแสดงการสั่งงานด้วยสัญญาณไร้สายจะแสดงสถานะของฟังก์ชันสั่งงานด้วยสัญญาณไร้สาย ความหมายของสถานะดวงไฟได้ที่ตารางด้านล่าง

สถานะ	ดวงไฟแสดงการสั่งงานด้วยสัญญาณไร้สาย				คำอธิบาย
	สี	<input type="checkbox"/> สว่าง	<input type="checkbox"/> กะพริบ	ระยะเวลา	
เตรียมพร้อม	สีฟ้า	<input checked="" type="checkbox"/>		2 ชั่วโมง	สามารถใช้การสั่งงานด้วยสัญญาณไร้สายของที่ดูดฝุ่นได้ ดวงไฟจะดับลงอัตโนมัติเมื่อไม่มีการใช้งานเป็นเวลา 2 ชั่วโมง
		<input type="checkbox"/>		เมื่อเครื่องมือกำลังทำงาน	สามารถใช้การสั่งงานด้วยสัญญาณไร้สายของที่ดูดฝุ่นได้และเครื่องมือกำลังทำงานอยู่
การบันทึกเครื่องมือ	สีเขียว	<input checked="" type="checkbox"/>		20 วินาที	พร้อมสำหรับการบันทึกเครื่องมือ รอกการบันทึกโดยที่ดูดฝุ่น
		<input type="checkbox"/>		2 วินาที	การบันทึกเครื่องมือเสร็จสิ้นแล้ว ดวงไฟแสดงการสั่งงานด้วยสัญญาณไร้สายจะเริ่มกะพริบเป็นสีฟ้า
การยกเลิกการบันทึกเครื่องมือ	สีแดง	<input checked="" type="checkbox"/>		20 วินาที	พร้อมสำหรับการยกเลิกการบันทึกเครื่องมือ รอกการยกเลิกโดยที่ดูดฝุ่น
		<input type="checkbox"/>		2 วินาที	การยกเลิกการบันทึกเครื่องมือเสร็จสิ้นแล้ว ดวงไฟแสดงการสั่งงานด้วยสัญญาณไร้สายจะเริ่มกะพริบเป็นสีฟ้า
อื่นๆ	สีแดง	<input type="checkbox"/>		3 วินาที	ไฟฟ้าจะถูกจ่ายไปยังอุปกรณ์รับส่งสัญญาณไร้สายและฟังก์ชันสั่งงานด้วยสัญญาณไร้สายจะเริ่มทำงาน
		ดับ	-	-	การสั่งงานด้วยสัญญาณไร้สายของที่ดูดฝุ่นจะหยุดทำงาน

การยกเลิกการบันทึกเครื่องมือสำหรับที่ดูดฝุ่น

เมื่อต้องการยกเลิกการบันทึกเครื่องมือสำหรับที่ดูดฝุ่น ให้ดำเนินการตามขั้นตอนดังต่อไปนี้

1. ติดตั้งแบตเตอรี่เข้ากับที่ดูดฝุ่นและเครื่องมือ
 2. ตั้งสวิตช์เตรียมพร้อมบนที่ดูดฝุ่นเป็น "AUTO"
- **หมายเลข 36:** 1. สวิตช์เตรียมพร้อม
3. กดปุ่มสั่งงานด้วยสัญญาณไร้สายบนที่ดูดฝุ่นค้างไว้ประมาณ 6 วินาที ดวงไฟแสดงการสั่งงานด้วยสัญญาณไร้สายจะกะพริบเป็นสีเขียว จากนั้นจะเปลี่ยนเป็นสีแดง หลังจากนั้นให้กดปุ่มสั่งงานด้วยสัญญาณไร้สายบนเครื่องมือในลักษณะเดียวกัน

- **หมายเลข 37:** 1. ปุ่มสั่งงานด้วยสัญญาณไร้สาย
2. ดวงไฟแสดงการสั่งงานด้วยสัญญาณไร้สาย

หากดำเนินการยกเลิกเสร็จสิ้นแล้ว ดวงไฟแสดงการสั่งงานด้วยสัญญาณไร้สายจะสว่างขึ้นเป็นสีแดงประมาณ 2 วินาที และจะเริ่มกะพริบเป็นสีฟ้า

หมายเหตุ: ดวงไฟแสดงการสั่งงานด้วยสัญญาณไร้สายจะหยุดกะพริบเป็นสีแดงหลังผ่านไป 20 วินาที กดปุ่มสั่งงานด้วยสัญญาณไร้สายบนเครื่องมือในขณะที่ดวงไฟแสดงการสั่งงานด้วยสัญญาณไร้สายบนที่ดูดฝุ่นกำลังกะพริบอยู่ หากดวงไฟแสดงการสั่งงานด้วยสัญญาณไร้สายไม่กะพริบเป็นสีแดง ให้ดันปุ่มสั่งงานด้วยสัญญาณไร้สายสักครู่ แล้วกดอีกครั้ง

การแก้ไขปัญหาสำหรับฟังก์ชันสั่งงานด้วยสัญญาณไร้สาย

ก่อนนำไปซ่อม ให้ทำการตรวจสอบด้วยตัวเองก่อน หากพบปัญหาที่ไม่มีอธิบายในคู่มือการใช้งาน อย่าพยายามถอดแยกเครื่องมือ แต่ให้นำไปซ่อมที่ศูนย์บริการหรือโรงงานที่ผ่านการรับรองจาก Makita และใช้ชิ้นส่วนอะไหล่ของ Makita

สถานะความผิดปกติ	สาเหตุที่เป็นไปได้ (การทำงานผิดปกติ)	การแก้ไข
ดวงไฟแสดงการสั่งงานด้วยสัญญาณไร้สายไม่สว่าง/กะพริบ	อุปกรณ์รับส่งสัญญาณไร้สายไม่ถูกติดตั้งลงในเครื่องมือ	ติดตั้งอุปกรณ์รับส่งสัญญาณไร้สายให้ถูกต้อง
	อุปกรณ์รับส่งสัญญาณไร้สายไม่ถูกติดตั้งลงในเครื่องมืออย่างถูกต้อง	
	ขั้วต่อของอุปกรณ์รับส่งสัญญาณไร้สายและ/หรือช่องเสียบสกรู	ค่อยๆ เช็ดฝุ่นและสิ่งสกปรกบนขั้วต่อของอุปกรณ์รับส่งสัญญาณไร้สายและทำความสะอาดช่องเสียบ
	ปุ่มสั่งงานด้วยสัญญาณไร้สายบนเครื่องมือยังไม่ถูกดันเข้าไป	ดันปุ่มสั่งงานด้วยสัญญาณไร้สายบนเครื่องมือไว้สักครู่
	สวิตช์เตรียมพร้อมบนที่ดูดฝุ่นไม่ได้ถูกตั้งเป็น "AUTO"	ตั้งสวิตช์เตรียมพร้อมบนที่ดูดฝุ่นเป็น "AUTO"
	ไม่มีการจ่ายไฟฟ้า	จ่ายไฟฟ้าให้เครื่องมือและที่ดูดฝุ่น
ไม่สามารถเสร็จสิ้นการบันทึกเครื่องมือ / การยกเลิกการบันทึกเครื่องมือได้สำเร็จ	อุปกรณ์รับส่งสัญญาณไร้สายไม่ถูกติดตั้งลงในเครื่องมือ	ติดตั้งอุปกรณ์รับส่งสัญญาณไร้สายให้ถูกต้อง
	อุปกรณ์รับส่งสัญญาณไร้สายไม่ถูกติดตั้งลงในเครื่องมืออย่างถูกต้อง	
	ขั้วต่อของอุปกรณ์รับส่งสัญญาณไร้สายและ/หรือช่องเสียบสกรู	ค่อยๆ เช็ดฝุ่นและสิ่งสกปรกบนขั้วต่อของอุปกรณ์รับส่งสัญญาณไร้สายและทำความสะอาดช่องเสียบ
	สวิตช์เตรียมพร้อมบนที่ดูดฝุ่นไม่ได้ถูกตั้งเป็น "AUTO"	ตั้งสวิตช์เตรียมพร้อมบนที่ดูดฝุ่นเป็น "AUTO"
	ไม่มีการจ่ายไฟฟ้า	จ่ายไฟฟ้าให้เครื่องมือและที่ดูดฝุ่น
	การทำงานไม่ถูกต้อง	ดันปุ่มสั่งงานด้วยสัญญาณไร้สายไว้สักครู่ จากนั้นดำเนินการขั้นตอนการบันทึก/การยกเลิกเครื่องมืออีกครั้ง
	เครื่องมือและที่ดูดฝุ่นอยู่ห่างจากกัน (เกินช่วงระยะการส่งสัญญาณ)	นำเครื่องมือและที่ดูดฝุ่นเข้ามาไว้ใกล้กันมากขึ้น ระยะการส่งสัญญาณสูงสุดคือประมาณ 10 m อย่างไรก็ตามอาจแตกต่างกันไปขึ้นอยู่กับสถานะแวดล้อม
	ก่อนเสร็จสิ้นการบันทึก/การยกเลิกเครื่องมือ - สวิตช์สั่งงานบนเครื่องมือถูกตั้งอยู่ หรือ - ปุ่มไฟหลักบนที่ดูดฝุ่นเปิดอยู่	ดันปุ่มสั่งงานด้วยสัญญาณไร้สายไว้สักครู่ จากนั้นดำเนินการขั้นตอนการบันทึก/การยกเลิกเครื่องมืออีกครั้ง
	ขั้นตอนการบันทึกเครื่องมือสำหรับเครื่องมือหรือที่ดูดฝุ่นยังไม่เสร็จสิ้น	ดำเนินการตามขั้นตอนการบันทึกเครื่องมือสำหรับทั้งเครื่องมือและที่ดูดฝุ่นในเวลาเดียวกัน
การรบกวนจากคลื่นวิทยุของเครื่องใช้อื่นๆ ซึ่งทำให้เกิดคลื่นวิทยุความถี่สูง	นำเครื่องมือและที่ดูดฝุ่นออกห่างจากเครื่องใช้ต่างๆ เช่น อุปกรณ์ Wi-Fi และเตาอบไมโครเวฟ	

สภาวะความผิดปกติ	สาเหตุที่เป็นไปได้ (การทำงานผิดปกติ)	การแก้ไข
ที่ดูดฝุ่นไม่ทำงานตามการควบคุมด้วยสวิตช์ของเครื่องมือ	อุปกรณ์รับส่งสัญญาณไร้สายไม่ถูกติดตั้งลงในเครื่องมือ	ติดตั้งอุปกรณ์รับส่งสัญญาณไร้สายให้ถูกต้อง
	อุปกรณ์รับส่งสัญญาณไร้สายไม่ถูกติดตั้งลงในเครื่องมืออย่างถูกต้อง	
	ขั้วต่อของอุปกรณ์รับส่งสัญญาณไร้สายและ/หรือช่องเสียบสกรก	ค่อยๆ เช็ดฝุ่นและสิ่งสกปรกบนขั้วต่อของอุปกรณ์รับส่งสัญญาณไร้สายและทำความสะอาดช่องเสียบ
	ปุ่มสั่งงานด้วยสัญญาณไร้สายบนเครื่องมือยังไม่ถูกดันเข้าไป	ดันปุ่มสั่งงานด้วยสัญญาณไร้สายไว้สักครู่ และตรวจสอบให้แน่ใจว่าดวงไฟแสดงการสั่งงานด้วยสัญญาณไร้สายกะพริบเป็นสีฟ้า
	สวิตช์เตรียมพร้อมบนที่ดูดฝุ่นไม่ได้ถูกตั้งเป็น "AUTO"	ตั้งสวิตช์เตรียมพร้อมบนที่ดูดฝุ่นเป็น "AUTO"
	มีเครื่องมือที่บันทึกเข้ากับที่ดูดฝุ่นมากกว่า 10 เครื่อง	ดำเนินการบันทึกเครื่องมืออีกครั้ง หากมีเครื่องมือที่บันทึกเข้ากับที่ดูดฝุ่นมากกว่า 10 เครื่อง เครื่องมือที่บันทึกเครื่องแรกสุดจะถูกยกเลิกไปโดยอัตโนมัติ
	ที่ดูดฝุ่นลบการบันทึกเครื่องมือทั้งหมด	ดำเนินการบันทึกเครื่องมืออีกครั้ง
	ไม่มีการจ่ายไฟฟ้า	จ่ายไฟฟ้าให้เครื่องมือและที่ดูดฝุ่น
ที่ดูดฝุ่นทำงานในขณะที่สวิตช์สั่งงานเครื่องมือยังไม่ถูกตั้ง	เครื่องมือและที่ดูดฝุ่นอยู่ห่างจากกัน (เกินช่วงระยะการส่งสัญญาณ)	นำเครื่องมือและที่ดูดฝุ่นเข้ามาไว้ใกล้กันมากขึ้น ระยะการส่งสัญญาณสูงสุดคือประมาณ 10 m อย่างไรก็ตามอาจแตกต่างกันไปขึ้นอยู่กับสภาวะแวดล้อม
	การรบกวนจากคลื่นวิทยุของเครื่องใช้อื่นๆ ซึ่งทำให้เกิดคลื่นวิทยุความถี่สูง	นำเครื่องมือและที่ดูดฝุ่นออกห่างจากเครื่องใช้ต่างๆ เช่น อุปกรณ์ Wi-Fi และเดอบโมโครเวฟ
	ผู้ใช้คนอื่นกำลังใช้การสั่งงานด้วยสัญญาณไร้สายของที่ดูดฝุ่นจากเครื่องมือของพวกเขาอยู่	ปิดปุ่มสั่งงานด้วยสัญญาณไร้สายของเครื่องมืออื่นๆ หรือยกเลิกการบันทึกเครื่องมือของเครื่องมืออื่น

การบำรุงรักษา

⚠ ข้อควรระวัง: ตรวจสอบให้แน่ใจว่าได้ปิดสวิตช์เครื่องมือและถอดด้ามแบตเตอรี่ออกก่อนทำการตรวจสอบหรือบำรุงรักษา

ข้อสังเกต: อย่าใช้น้ำมันเชื้อเพลิง เบนซิน ทินเนอร์ แอลกอฮอล์ หรือวัสดุประเภทเดียวกัน เนื่องจากอาจทำให้สีซีดจาง เสียรูป หรือแตกร้าวได้

การทำความสะอาดด้วยการระบายอากาศ

เครื่องมือและช่องระบายอากาศของเครื่องมือต้องสะอาดอยู่เสมอ ทำความสะอาดช่องระบายอากาศของเครื่องมือให้เป็นประจำหรือเมื่อใดก็ตามที่ช่องระบายอากาศเริ่มถูกปิดกั้น

- ▶ **หมายเลข 38:** 1. การระบายไอเสีย 2. การดูแลมอดฝาคอบกั้นฝุ่นออกจากช่องดูดลมและทำความสะอาดเพื่อให้การไหลเวียนอากาศราบรื่น
- ▶ **หมายเลข 39:** 1. ฝาคอบกั้นฝุ่น

ข้อสังเกต: ทำความสะอาดฝาคอบกั้นฝุ่นเมื่อมีฝุ่นหรือสิ่งแปลกปลอมอุดตัน การทำงานต่อไปโดยที่ฝาคอบกั้นฝุ่นอุดตันอาจทำให้เครื่องมือเสียหาย

อุปกรณ์เสริม

⚠ ข้อควรระวัง: ขอแนะนำให้ใช้เฉพาะอุปกรณ์เสริมหรืออุปกรณ์ต่อพ่วงเหล่านี้กับเครื่องมือ Makita ที่ระบุในคู่มือ การใช้อุปกรณ์เสริมหรืออุปกรณ์ต่อพ่วงอื่นๆ อาจมีความเสี่ยงที่จะได้รับบาดเจ็บ ใช้อุปกรณ์เสริมหรืออุปกรณ์ต่อพ่วงตามวัตถุประสงค์ที่ระบุไว้เท่านั้น

หากต้องการทราบรายละเอียดเพิ่มเติมเกี่ยวกับอุปกรณ์เสริมเหล่านี้ โปรดสอบถามศูนย์บริการ Makita ใกล้บ้านคุณ

- แบตเตอรี่และเครื่องชาร์จ Makita ของแท้
- อุปกรณ์รับส่งสัญญาณไร้สาย (สำหรับรุ่นที่มีฟังก์ชันสั่งงานด้วยสัญญาณไร้สาย)

▶ หมายเลข 40

-	รุ่น 100 mm	รุ่น 115 mm	รุ่น 125 mm
1	ด้ามจับ 36		
2	ที่ป้องกันล้อ (สำหรับใบเจีย)		
3	แกนตัวโน		
4	ใบเจียศูนย์จม/จานทรายซ้อน		
5	น็อตล็อก		
6	แผ่นรอง		
7	ใบเจียแบบยึดหยุ่น		
8	แกนตัวโนและแผ่นยาง 76	แผ่นยาง 100	แผ่นยาง 115
9	จานขัด		
10	น็อตล็อกขัดกระดาษทราย		
11	แปรงลวดกลม		
12	แปรงลวดถั่ว		
13	ที่ป้องกันล้อ (สำหรับล้อตัด) *1		
14	ล้อตัดแบบขัด/ลูกล้อเพชร		
15	ที่ป้องกันล้อเก็บฝุ่น		
-	ประแจขันน็อตล็อก		

หมายเหตุ: *1 ในประเทศยุโรปบางประเทศ สามารถใช้ที่ป้องกันทั่วไปแทนที่ป้องกันพิเศษที่ครอบคลุมล้อทั้งสองด้านได้เมื่อใช้งานลูกล้อเพชร โปรดปฏิบัติตามข้อบังคับในประเทศของคุณ

หมายเหตุ: อุปกรณ์บางรายการอาจจะรวมอยู่ในชุดเครื่องมือเป็นอุปกรณ์มาตรฐาน ซึ่งอาจแตกต่างกันไปในแต่ละประเทศ

Makita Corporation
3-11-8, Sumiyoshi-cho,
Anjo, Aichi 446-8502 Japan
www.makita.com

885616A377
EN, ZHCN, ID,
VI, TH
20191015