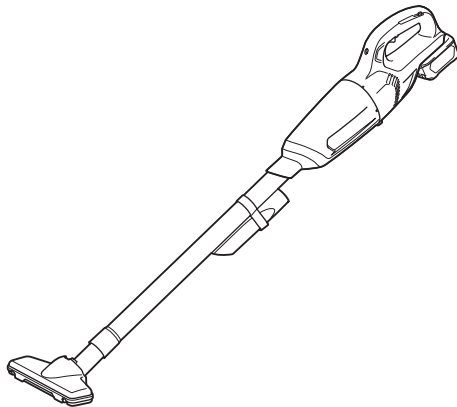




<b>EN</b>	<b>Cordless Cleaner</b>	<b>INSTRUCTION MANUAL</b>	<b>9</b>
<b>ZHCN</b>	<b>充电式吸尘器</b>	<b>使用说明书</b>	<b>17</b>
<b>ID</b>	<b>Pembersih Tanpa Kabel</b>	<b>PETUNJUK PENGGUNAAN</b>	<b>25</b>
<b>VI</b>	<b>Máy Hút Bụi Cầm Tay Hoạt Động Bằng Pin</b>	<b>TÀI LIỆU HƯỚNG DẪN</b>	<b>34</b>
<b>TH</b>	<b>เครื่องดูดฝุ่นไร้สาย</b>	<b>คู่มือการใช้งาน</b>	<b>42</b>

## CL106FD



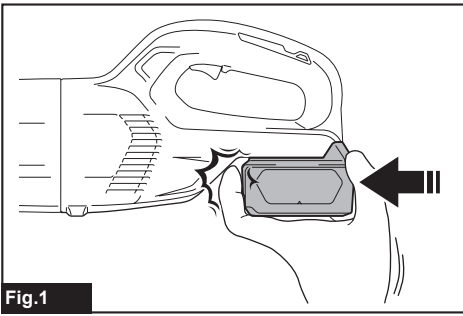


Fig.1

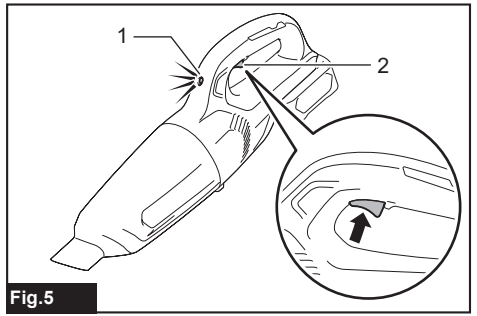


Fig.5

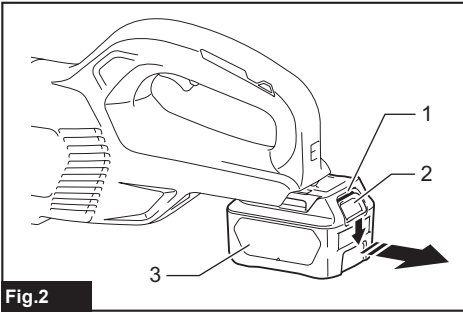


Fig.2

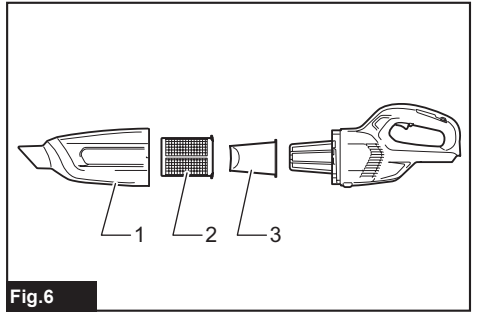


Fig.6

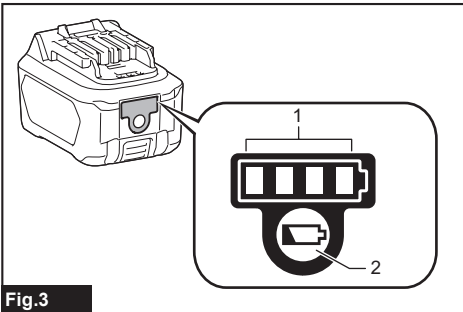


Fig.3

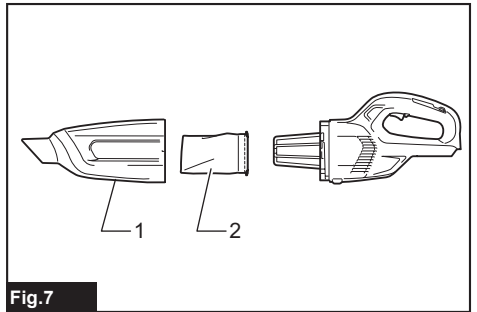


Fig.7

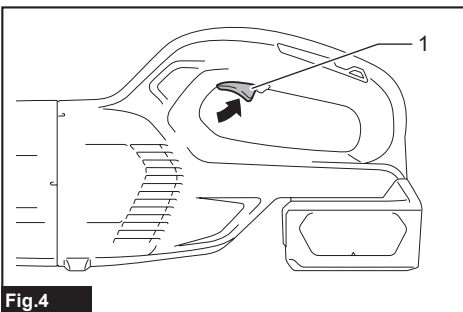


Fig.4

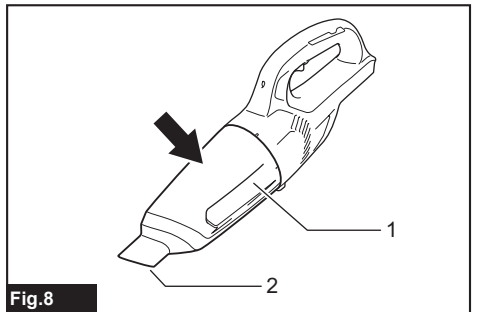
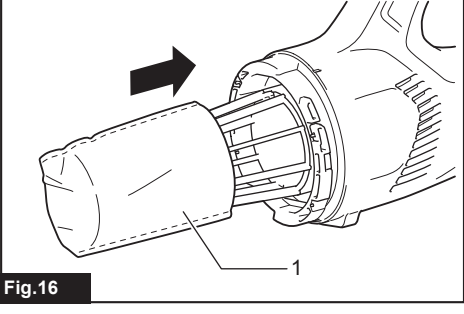
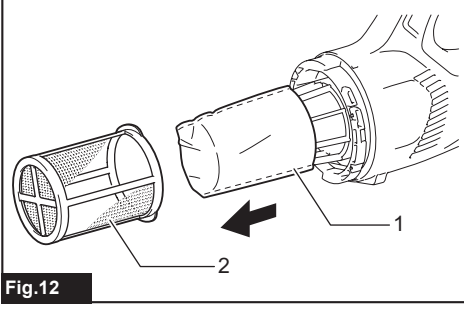
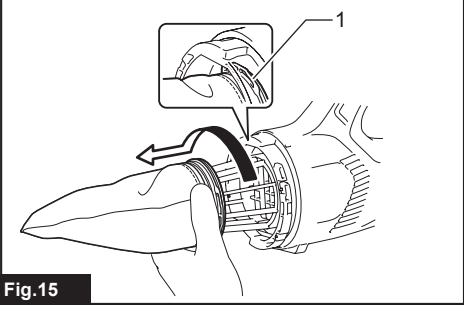
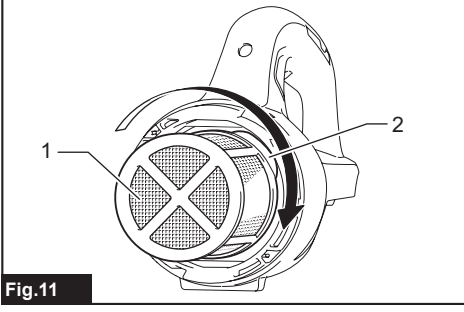
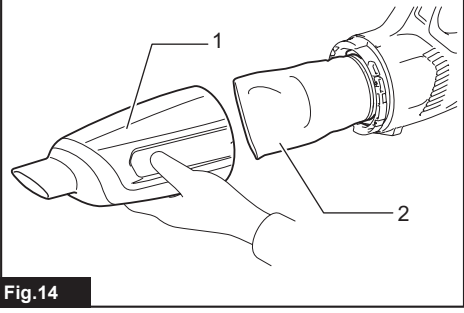
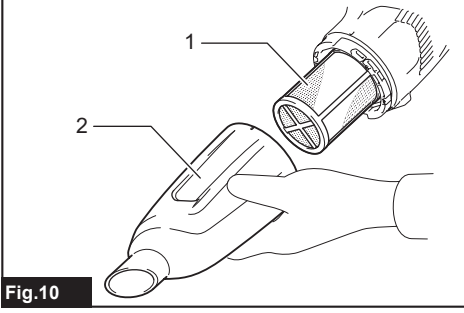
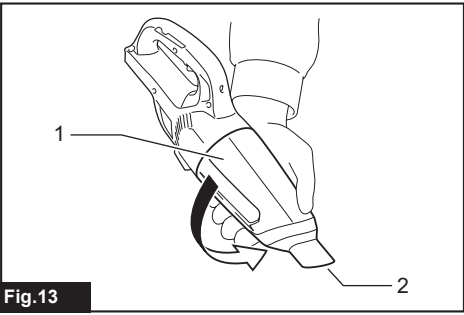
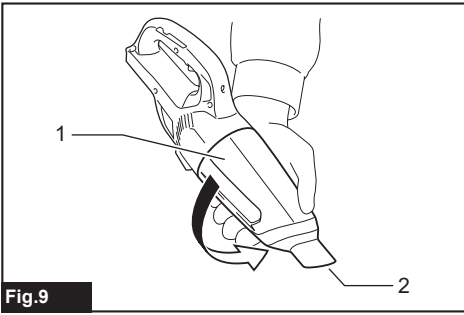
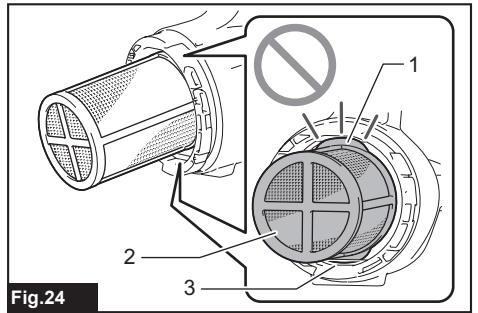
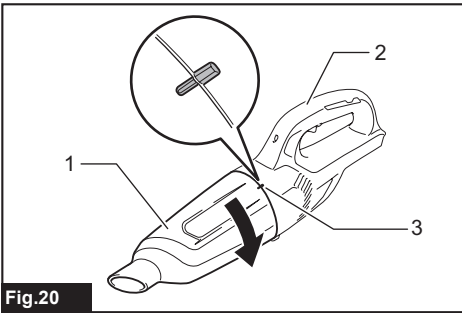
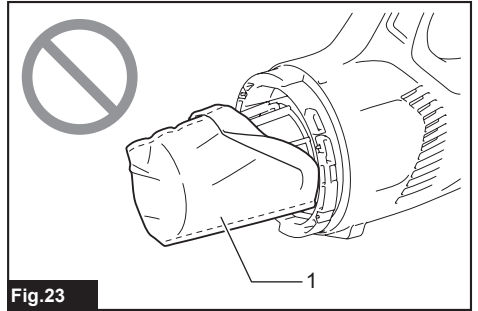
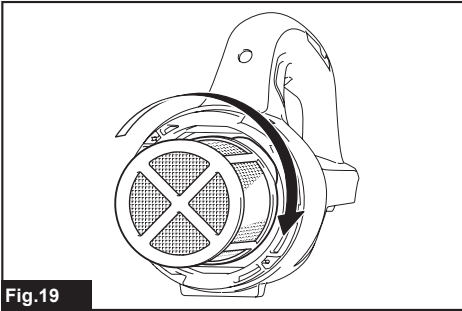
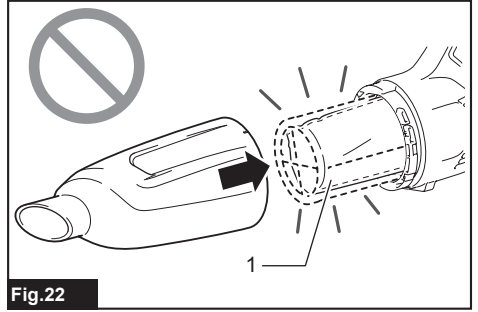
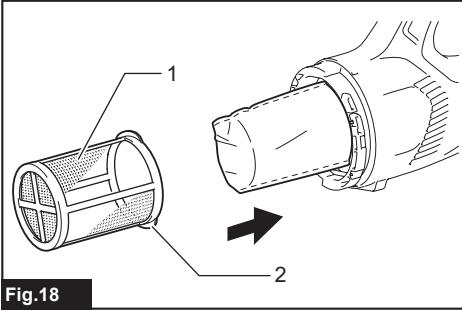
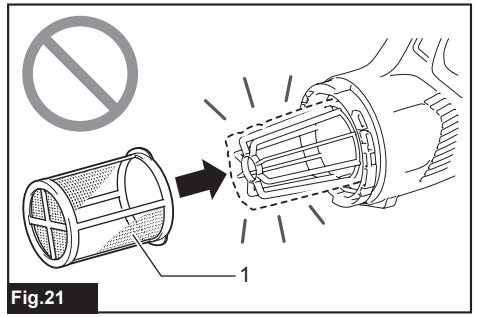
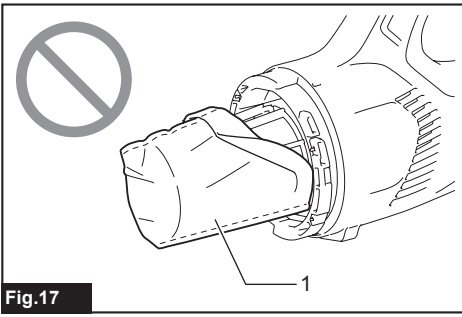
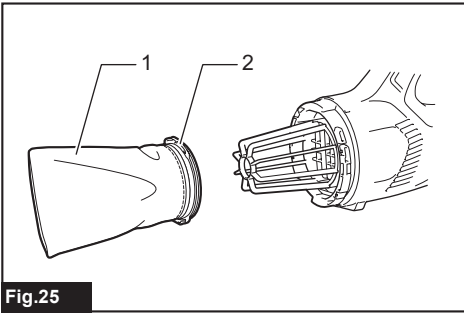


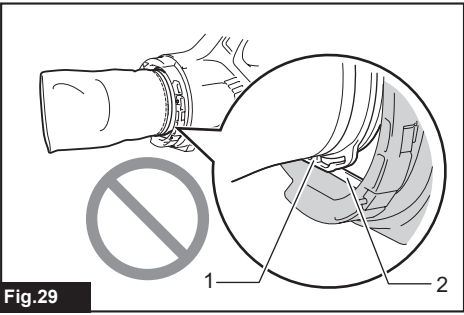
Fig.8



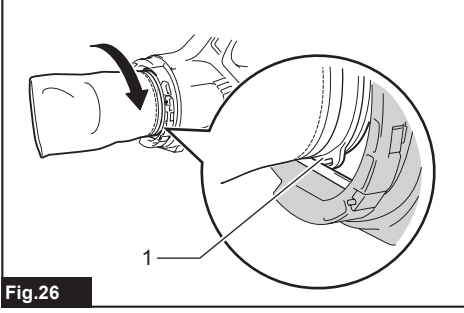




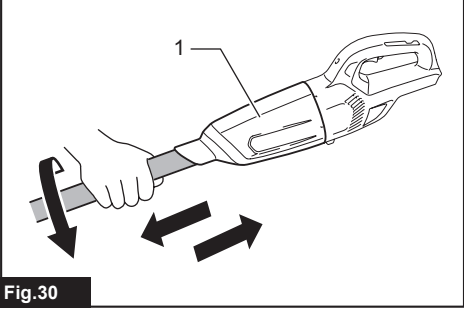
**Fig.25**



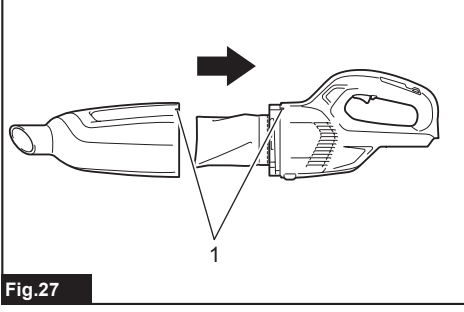
**Fig.29**



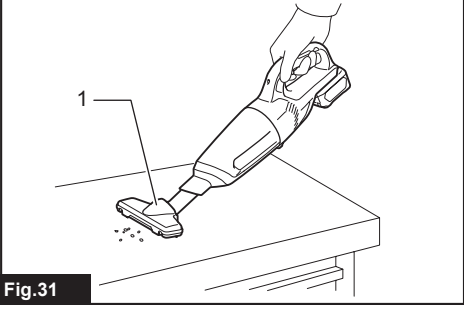
**Fig.26**



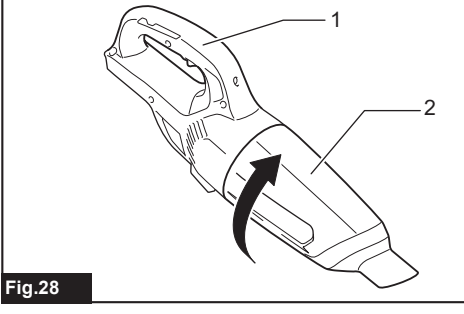
**Fig.30**



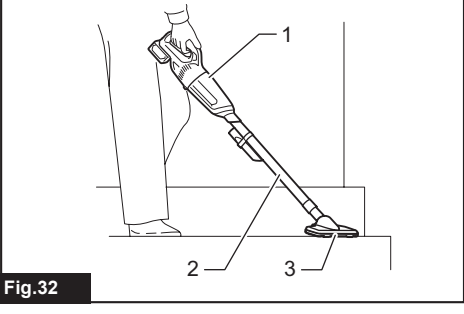
**Fig.27**



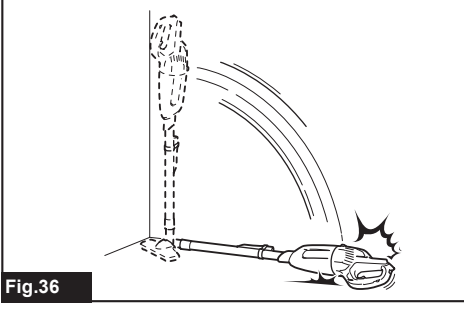
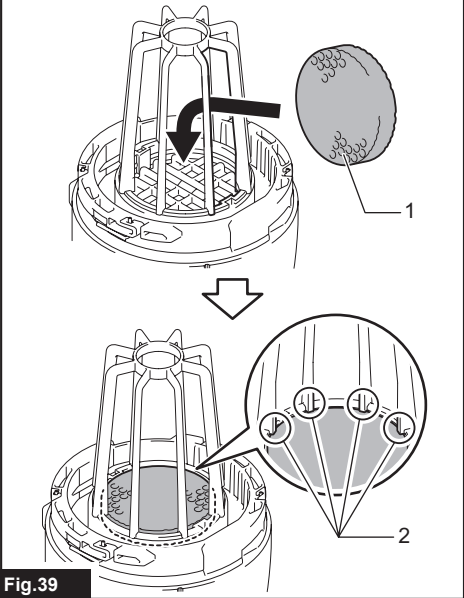
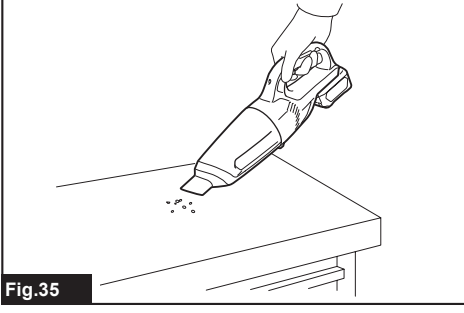
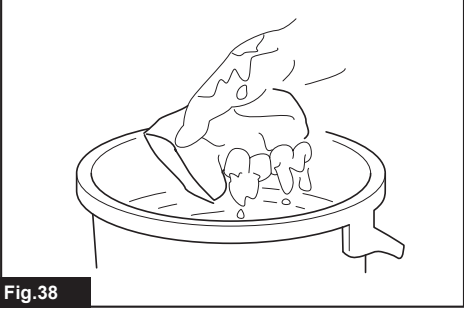
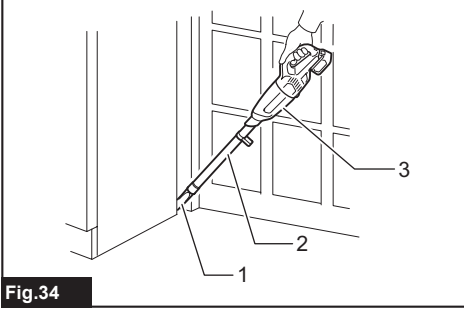
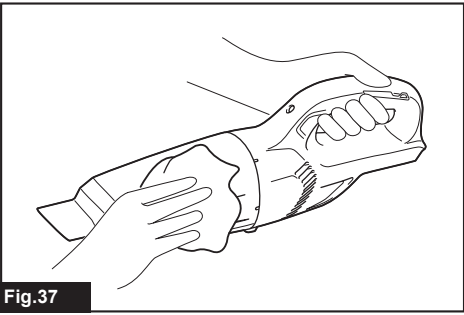
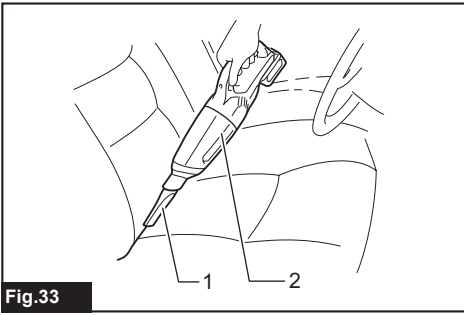
**Fig.31**



**Fig.28**



**Fig.32**



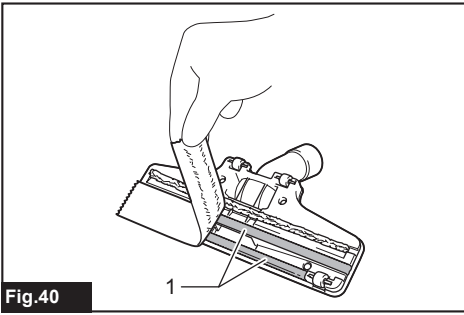


Fig.40

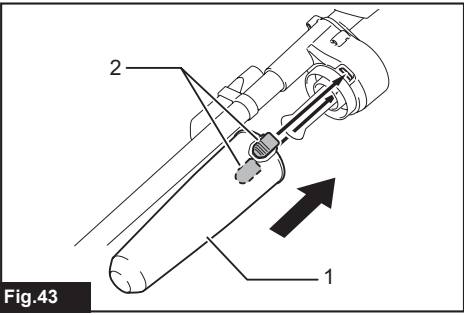


Fig.43

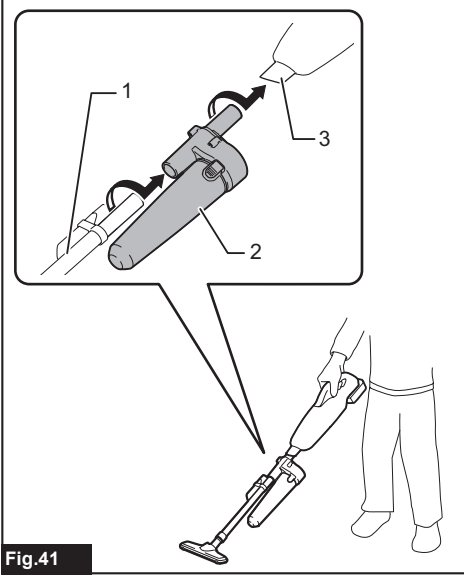


Fig.41

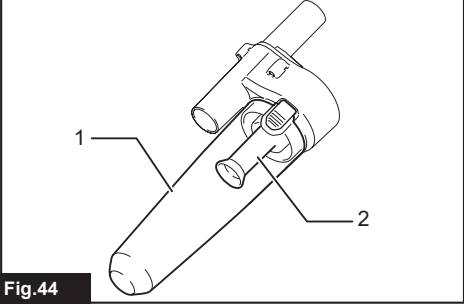


Fig.44

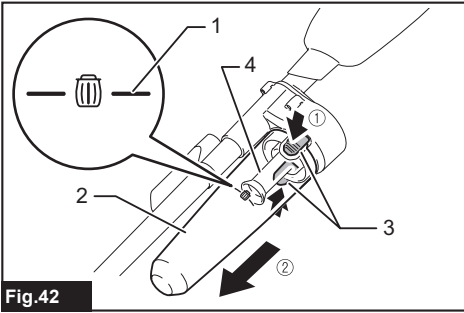


Fig.42

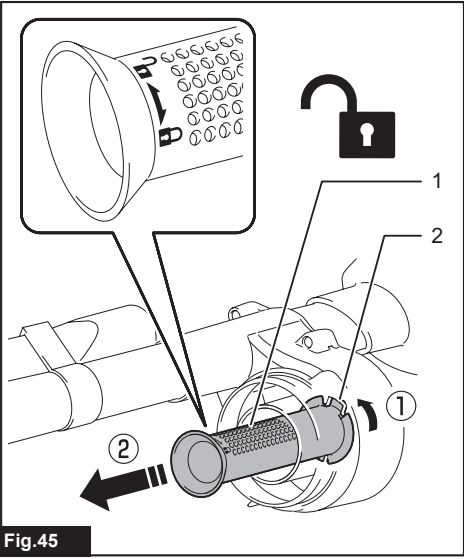
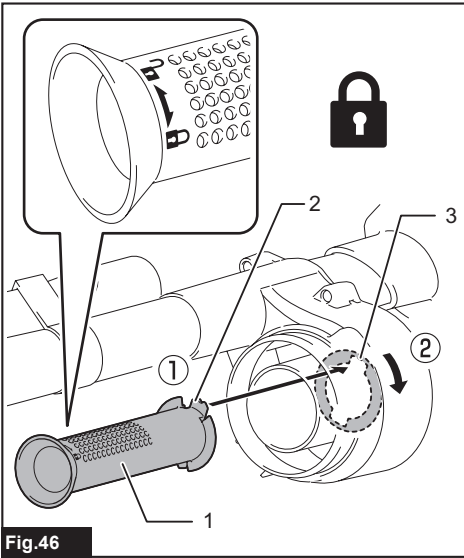


Fig.45





## WARNING

- This appliance can be used by children aged from 8 years and above and persons with reduced physical, sensory or mental capabilities or lack of experience and knowledge if they have been given supervision or instruction concerning use of the appliance in a safe way and understand the hazards involved.
- Children shall not play with the appliance. Cleaning and user maintenance shall not be made by children without supervision.
- See the chapter "SPECIFICATIONS" for the type reference of the battery.
- See the section "Installing or removing battery cartridge" for how to remove or install the battery.
- When disposing the battery cartridge, remove it from the tool and dispose of it in a safe place. Follow your local regulations relating to disposal of battery.
- If the tool is not used for a long period of time, the battery must be removed from the tool.
- Do not short the battery cartridge.
- See the chapter "MAINTENANCE" for the appropriate details of precautions during user maintenance.

## SPECIFICATIONS

<b>Model:</b>	<b>CL106FD</b>
Capacity	600 mL
Continuous use (with battery BL1016)	Approx. 16 min
Overall length	958 mm
Rated voltage	D.C. 10.8 V - 12 V max
Net weight	0.98 - 1.1 kg

- Due to our continuing program of research and development, the specifications herein are subject to change without notice.
- Specifications may differ from country to country.
- The weight does not include accessories but battery cartridge(s). The lightest and heaviest combination weight of the appliance and battery cartridge(s) are shown in the table.

## Applicable battery cartridge and charger

Battery cartridge	BL1016 / BL1021B / BL1041B
Charger	DC10SA / DC10SB / DC10WC / DC10WD / DC18RE

- Some of the battery cartridges and chargers listed above may not be available depending on your region of residence.

**⚠ WARNING: Only use the battery cartridges and chargers listed above.** Use of any other battery cartridges and chargers may cause injury and/or fire.

## Symbols

The followings show the symbols which may be used for the equipment. Be sure that you understand their meaning before use.



Read instruction manual.



Ni-MH  
Li-ion

Only for EU countries

Due to the presence of hazardous components in the equipment, waste electrical and electronic equipment, accumulators and batteries may have a negative impact on the environment and human health. Do not dispose of electrical and electronic appliances or batteries with household waste!

In accordance with the European Directive on waste electrical and electronic equipment and on accumulators and batteries and waste accumulators and batteries, as well as their adaptation to national law, waste electrical equipment, batteries and accumulators should be stored separately and delivered to a separate collection point for municipal waste, operating in accordance with the regulations on environmental protection.

This is indicated by the symbol of the crossed-out wheeled bin placed on the equipment.

## Intended use

The tool is intended for collecting dry dust.

# SAFETY WARNINGS

## Cordless cleaner safety warnings

**⚠ WARNING: IMPORTANT! READ CAREFULLY all safety warnings and all instructions BEFORE USE.** Failure to follow the warnings and instructions may result in electric shock, fire and/or serious injury.

1. Do not expose to rain. Store indoors.
2. Do not allow to be used as a toy. Close attention is necessary when used by or near children.
3. Use only as described in this manual. Use only manufacturer's recommended attachments.
4. Do not use with damaged battery. If appliance is not working as it should, has been dropped, damaged, left outdoors, or dropped into water, return it to a service center.
5. Do not handle appliance with wet hands.
6. Do not put any object into openings. Do not use with any opening blocked; keep free of dust, lint, hair, and anything that may reduce air flow.
7. Keep hair, loose clothing, fingers, and all parts of body away from openings and moving parts.
8. Turn off all controls before removing the battery.
9. Use extra care when cleaning on stairs.

10. Do not use to pick up flammable or combustible liquids, such as gasoline, or use in areas where they may be present.
11. Use only the charger supplied by the manufacturer to recharge.
12. Do not pick up anything that is burning or smoking, such as cigarettes, matches, or hot ashes.
13. Do not use without dust bag and/or filters in place.
14. Do not charge the battery outdoors.
15. Recharge only with the charger specified by the manufacturer. A charger that is suitable for one type of battery pack may create a risk of fire when used with another battery pack.
16. Use power tools only with specifically designated battery packs. Use of any other battery packs may create a risk of injury and fire.
17. When (the) battery pack is not in use, keep it away from other metal objects, like paper clips, coins, keys, nails, screws or other small metal objects, that can make a connection from one terminal to another.
18. Under abusive conditions, liquid may be ejected from the battery; avoid contact. If contact accidentally occurs, flush with water.
19. Do not use a battery pack or tool that is damaged or modified. Damaged or modified batteries may exhibit unpredictable behaviour resulting in fire, explosion or risk of injury.
20. Do not expose a battery pack or tool to fire or excessive temperature. Exposure to fire or temperature above 130 °C may cause explosion.
21. Follow all charging instructions and do not charge the battery pack or tool outside the temperature range specified in the instructions. Charging improperly or at temperatures outside the specified range may damage the battery and increase the risk of fire.

## SAVE THESE INSTRUCTIONS.

## ADDITIONAL SAFETY RULES

This appliance is intended for household use.

1. Read this instruction manual and the charger instruction manual carefully before use.
2. Do not pick up the following materials:
  - Hot materials such as lit cigarettes or spark/metal dust generated by grinding/cutting metal
  - Flammable materials such as gasoline, thinner, benzene, kerosene or paint
  - Explosive materials like nitroglycerin
  - Ignitable materials such as Aluminum, zinc, magnesium, titanium, phosphorus or celluloid
  - Wet dirt, water, oil or the like
  - Hard pieces with sharp edges, such as wood chips, metals, stones, glasses, nails, pins or razors
  - Powder to clot such as cement or toner
  - Conductive dust such as metal or carbon

— Fine particle like concrete dust  
Such action may cause fire, injury and/or property damage.

3. Stop operation immediately if you notice anything abnormal.
4. If you drop or strike the cleaner, check it carefully for cracks or damage before operation.
5. Do not bring close to stoves or other heat sources.
6. Do not block the intake hole or vent holes.

## SAVE THESE INSTRUCTIONS.

### Important safety instructions for battery cartridge

1. Before using battery cartridge, read all instructions and cautionary markings on (1) battery charger, (2) battery, and (3) product using battery.
2. Do not disassemble or tamper with the battery cartridge. It may result in a fire, excessive heat, or explosion.
3. If operating time has become excessively shorter, stop operating immediately. It may result in a risk of overheating, possible burns and even an explosion.
4. If electrolyte gets into your eyes, rinse them out with clear water and seek medical attention right away. It may result in loss of your eyesight.
5. Do not short the battery cartridge:
  - (1) Do not touch the terminals with any conductive material.
  - (2) Avoid storing battery cartridge in a container with other metal objects such as nails, coins, etc.
  - (3) Do not expose battery cartridge to water or rain.

A battery short can cause a large current flow, overheating, possible burns and even a breakdown.

6. Do not store and use the tool and battery cartridge in locations where the temperature may reach or exceed 50 °C (122 °F).
7. Do not incinerate the battery cartridge even if it is severely damaged or is completely worn out. The battery cartridge can explode in a fire.
8. Do not nail, cut, crush, throw, drop the battery cartridge, or hit against a hard object to the battery cartridge. Such conduct may result in a fire, excessive heat, or explosion.
9. Do not use a damaged battery.

10. The contained lithium-ion batteries are subject to the Dangerous Goods Legislation requirements.

For commercial transports e.g. by third parties, forwarding agents, special requirement on packaging and labeling must be observed. For preparation of the item being shipped, consulting an expert for hazardous material is required. Please also observe possibly more detailed national regulations.

Tape or mask off open contacts and pack up the battery in such a manner that it cannot move around in the packaging.

11. When disposing the battery cartridge, remove it from the tool and dispose of it in a safe place. Follow your local regulations relating to disposal of battery.
12. Use the batteries only with the products specified by Makita. Installing the batteries to non-compliant products may result in a fire, excessive heat, explosion, or leak of electrolyte.
13. If the tool is not used for a long period of time, the battery must be removed from the tool.
14. During and after use, the battery cartridge may take on heat which can cause burns or low temperature burns. Pay attention to the handling of hot battery cartridges.
15. Do not touch the terminal of the tool immediately after use as it may get hot enough to cause burns.
16. Do not allow chips, dust, or soil stuck into the terminals, holes, and grooves of the battery cartridge. It may result in poor performance or breakdown of the tool or battery cartridge.
17. Unless the tool supports the use near high-voltage electrical power lines, do not use the battery cartridge near high-voltage electrical power lines. It may result in a malfunction or breakdown of the tool or battery cartridge.
18. Keep the battery away from children.

## SAVE THESE INSTRUCTIONS.

**⚠ CAUTION:** Only use genuine Makita batteries. Use of non-genuine Makita batteries, or batteries that have been altered, may result in the battery bursting causing fires, personal injury and damage. It will also void the Makita warranty for the Makita tool and charger.

## Tips for maintaining maximum battery life

1. Charge the battery cartridge before completely discharged. Always stop tool operation and charge the battery cartridge when you notice less tool power.
2. Never recharge a fully charged battery cartridge. Overcharging shortens the battery service life.
3. Charge the battery cartridge with room temperature at 10 °C - 40 °C (50 °F - 104 °F). Let a hot battery cartridge cool down before charging it.
4. When not using the battery cartridge, remove it from the tool or the charger.

## FUNCTIONAL DESCRIPTION

**⚠ CAUTION:** Always be sure that the tool is switched off and the battery cartridge is removed before adjusting or checking function on the tool.

**⚠ CAUTION:** Take care not to trap finger(s) between cleaner and battery as shown in diagram when loading battery. Trapping finger(s) may cause injury.

► Fig.1

## Installing or removing battery cartridge

**⚠ CAUTION:** Always switch off the tool before installing or removing of the battery cartridge.

**⚠ CAUTION:** Hold the tool and the battery cartridge firmly when installing or removing battery cartridge. Failure to hold the tool and the battery cartridge firmly may cause them to slip off your hands and result in damage to the tool and battery cartridge and a personal injury.

► Fig.2: 1. Red indicator 2. Button 3. Battery cartridge

To remove the battery cartridge, slide it from the tool while sliding the button on the front of the cartridge.

To install the battery cartridge, align the tongue on the battery cartridge with the groove in the housing and slip it into place. Insert it all the way until it locks in place with a little click. If you can see the red indicator as shown in the figure, it is not locked completely.

**⚠ CAUTION:** Always install the battery cartridge fully until the red indicator cannot be seen. If not, it may accidentally fall out of the tool, causing injury to you or someone around you.

**⚠ CAUTION:** Do not install the battery cartridge forcibly. If the cartridge does not slide in easily, it is not being inserted correctly.

## Battery protection system

The tool is equipped with a battery protection system. This system automatically cuts off power to the motor to extend battery life.

The tool will automatically stop during operation if the tool and/or battery are placed under the following condition:

### Low battery voltage:

The remaining battery capacity is too low and the tool will not operate. If you turn the tool on, the motor runs again but stops soon. In this situation, remove and recharge the battery.

## Indicating the remaining battery capacity

*Only for battery cartridges with the indicator*

► Fig.3: 1. Indicator lamps 2. Check button

Press the check button on the battery cartridge to indicate the remaining battery capacity. The indicator lamps light up for a few seconds.

Indicator lamps		Remaining capacity
Lighted	Off	
■ ■ ■ ■		75% to 100%
■ ■ ■ □		50% to 75%
■ ■ □ □		25% to 50%
■ □ □ □		0% to 25%

**NOTE:** Depending on the conditions of use and the ambient temperature, the indication may differ slightly from the actual capacity.

## Switch action

**⚠ CAUTION:** Before installing the battery cartridge into the tool, always check to see that the switch trigger actuates properly and returns to the "OFF" position when released.

To start the tool, simply pull the switch trigger. Release the switch trigger to stop.

► Fig.4: 1. Switch trigger

## Lighting up the lamp

**⚠ CAUTION:** Do not look in the light or see the source of light directly.

To turn on the lamp, pull the switch trigger. During the tool actuating, the lamp turns on.

Release the switch to turn off the lamp.

► Fig.5: 1. Lamp 2. Switch trigger

## ASSEMBLY

**⚠ CAUTION:** Always be sure that the tool is switched off and the battery cartridge is removed before carrying out any work on the tool.

## Type of filter

### Normal filter

► Fig.6: 1. Capsule 2. Prefilter 3. Filter

## High performance filter

► Fig.7: 1. Capsule 2. High performance filter

### Disposing of dust

**CAUTION:** Empty the cleaner before it becomes too full, or the suction force weakens.

**CAUTION:** Be sure to empty the inside of the cleaner itself of dust. Failure to do so may cause the filter to be clogged or the motor to be damaged.

### Disposing of dust for normal filter

In order to drop dust sticking on the filter in the capsule, tap the capsule 4 or 5 times with your hand.

► Fig.8: 1. Capsule 2. Suction inlet

Point the suction inlet downwards, turn the capsule in direction of the arrow as illustrated, and disconnect the capsule slowly and straight.

► Fig.9: 1. Capsule 2. Suction inlet

**NOTE:** Be sure to set a garbage bag beneath the capsule, as dust may spill out when the capsule is opened.

Remove accumulated dust from inside of the capsule and off of the prefilter.

► Fig.10: 1. Prefilter 2. Capsule

Twist the prefilter in direction of the arrow to unfasten the securing lip from the cleaner unit and then pull off the prefilter.

► Fig.11: 1. Prefilter 2. Securing lip

Clean out fine dust from the prefilter. And then, pull off the filter and lightly tap it to remove dust.

► Fig.12: 1. Filter 2. Prefilter

### Disposing of dust for high performance filter

In order to drop dust sticking on the filter in the capsule, tap the capsule 4 or 5 times with your hand.

Now point suction inlet downwards, turn capsule in direction of arrow in diagram, and disconnect capsule slowly and straight.

► Fig.13: 1. Capsule 2. Suction inlet

**NOTE:** Dust may spill out when capsule is opened, so be sure to set a garbage bag beneath capsule.

Remove accumulated dust from inside of capsule and off of high performance filter.

► Fig.14: 1. Capsule 2. High performance filter

Twist high performance filter in direction of arrow to unfasten securing lip from cleaner unit and then pull off the filter.

► Fig.15: 1. Securing lip

Clean out the fine dust and lightly tap to dislodge dust from high performance filter.

## Reassembly

### Reassembly for normal filter

Put on the filter fully in position on the cleaner unit.

► Fig.16: 1. Filter

**NOTICE:** Make sure the filter is put on straight without being peeled back. If the filter is put on incorrectly as illustrated, dust will get into the motor housing, and cause a motor failure.

► Fig.17: 1. Filter

Install the prefilter. At this time, make sure to twist the prefilter so that the securing lip is firmly locked in the cleaner unit.

► Fig.18: 1. Prefilter 2. Securing lip

► Fig.19

Install the capsule. Align the mark on the capsule with the mark near the handle and then firmly twist the capsule in direction of the arrow until it is secured.

► Fig.20: 1. Capsule 2. Handle 3. Mark

**NOTE:** Always remove dust ahead of time, as the suction power will be reduced if there is too much dust in the cleaner.

**NOTICE:** Always be sure to check that both the filter and prefilter are loaded correctly prior to using the cleaner. If they are not loaded correctly, dust will get into the motor housing, and cause a motor failure. If the following examples occur, the filter and prefilter are not loaded correctly. Reload them correctly to rectify problem.

### Problem Examples

Example 1: Only the prefilter has been loaded (no filter)

► Fig.21: 1. Prefilter

Example 2: Only the filter has been loaded (no prefilter)

► Fig.22: 1. Filter

Example 3: The filter has been loaded in a peeled back state

► Fig.23: 1. Filter

Example 4: The securing lip on the prefilter is not firmly locked in the groove of cleaner housing

► Fig.24: 1. Securing lip 2. Prefilter 3. Groove of cleaner housing

### Reassembly for high performance filter

Connect high performance filter. At this time, make sure to twist high performance filter so that securing lip is firmly locked into cleaner unit.

► Fig.25: 1. High performance filter 2. Securing lip

► Fig.26: 1. Securing lip

Connect capsule. Align O symbol on capsule with O symbol on handle and then firmly twist capsule in direction of arrow until it is secured.

► Fig.27: 1. O Mark

► Fig.28: 1. Handle 2. Capsule

**NOTE:** Always remove dust ahead of time, as suction power will be reduced if there is too much dust in cleaner.

**NOTE:** Always be sure to check that high performance filter is loaded correctly prior to using cleaner. If they are not loaded correctly, dust will get into the motor housing, and cause motor failure. If the following examples occur, high performance filter is not loaded correctly. Reload them correctly to rectify problem.

## Problem Examples

Securing lip of high performance filter is not firmly locked into groove of cleaner housing.

► **Fig.29:** 1. Securing lip 2. Groove of cleaner housing

## OPERATION

**CAUTION:** To connect attachments, such as nozzle, twist and insert the attachment in direction of the arrow to secure the connection during use. To disconnect the attachments, twist and extract it also in direction of the arrow. If an attachment is twisted in the opposite direction when being connected or disconnected, the capsule may become loose.

► **Fig.30:** 1. Capsule

## Cleaning (Suction)

### Nozzle

Attach the nozzle to clean off tables, desks, furniture, etc. The nozzle slips on easily.

► **Fig.31:** 1. Nozzle

### Nozzle + Extension wand (Straight pipe)

The extension wand fits in between the nozzle and the cleaner itself. This arrangement is convenient for cleaning a floor in a standing position.

► **Fig.32:** 1. Cleaner body 2. Extension wand  
3. Nozzle

### Corner nozzle

Fit on the corner nozzle for cleaning corners and crevices of a car or furniture.

► **Fig.33:** 1. Corner nozzle 2. Cleaner body

### Corner nozzle +Extension wand (Straight pipe)

In tight quarters where the cleaner itself cannot squeeze in, or in high places hard to reach, use this arrangement.

► **Fig.34:** 1. Corner nozzle 2. Extension wand  
3. Cleaner body

## Cleaning without nozzle

You can pick up powder and dust without nozzle.

► **Fig.35**

## MAINTENANCE

**CAUTION:** Always be sure that the tool is switched off and the battery cartridge is removed before attempting to perform inspection or maintenance.

## After use

**NOTICE:** Putting the cleaner against the wall without any other support cause the cleaner to fall down and be damaged.

► **Fig.36**

## Cleaning

**NOTICE:** Never use gasoline, benzine, thinner, alcohol or the like. Discoloration, deformation or cracks may result.

**NOTICE:** Do not blow dust sticking on the cleaner and filters by air duster. It brings dust into the housing and causes failure.

**NOTICE:** After washing filters, dry them thoroughly before use. Insufficiently dried filters may cause poor suction and shorten the service life of the motor.

**NOTICE:** After cleaning filters and sponge filter, be sure to re-install them before use. If you use the cleaner without filters and sponge filter, dust comes into the motor housing and cause malfunction.

## Cleaner body

From time to time wipe off the outside (cleaner body) of the cleaner using a cloth dampened in soapy water. Clean out also the suction opening and filter mounting area.

► **Fig.37**

## Filter

Wash the filter in soapy water when it is clogged with dust and the cleaner power becomes weak. Dry it out thoroughly before use.

► **Fig.38**

## Sponge filter

When the sponge filter becomes dirty, clean it as follows.

1. Remove the filter.
2. Pull out the sponge filter from between the pillars.
3. Clean the sponge filter by tapping or washing. If you wash it, dry it out thoroughly before use.

4. Insert the sponge filter from between the pillars and set it in the original position. Make sure that each bottom edge of the pillar holds down the sponge filter, and there is no gap between the sponge filter and suction opening.

► **Fig.39:** 1. Sponge filter 2. Bottom edge of pillar

## The nozzle cleaning

When the nozzle brush gets dusty, clean up the dust with sticky.

► **Fig.40:** 1. Brush

## Troubleshooting

Before asking for repairs, check the following points.

Symptom	Area to be investigated	Fixing method
Weak suction power	Is the capsule full of dust?	Empty the capsule of dust.
	Is the filter clogged?	Clean or wash the filter.
	Is the battery cartridge discharged?	Charge the battery cartridge.
Not working	Is the battery cartridge discharged?	Charge the battery cartridge.

**⚠ CAUTION:** Do not attempt to repair the cleaner by yourself.

To maintain product SAFETY and RELIABILITY, repairs, any other maintenance or adjustment should be performed by Makita Authorized or Factory Service Centers, always using Makita replacement parts.

## OPTIONAL ACCESSORIES

**⚠ CAUTION:** These accessories or attachments are recommended for use with your Makita tool specified in this manual. The use of any other accessories or attachments might present a risk of injury to persons. Only use accessory or attachment for its stated purpose.

If you need any assistance for more details regarding these accessories, ask your local Makita Service Center.

- Extension wand (Straight pipe)
- Nozzle
- Nozzle for carpet
- Shelf brush
- Corner nozzle
- Round brush
- Flexible hose
- Filter
- Prefilter
- High performance filter
- Cyclone attachment
- Makita genuine battery and charger

**NOTE:** Some items in the list may be included in the tool package as standard accessories. They may differ from country to country.

## Cyclone attachment

► **Fig.41:** 1. Straight pipe 2. Cyclone attachment 3. Suction inlet

### About the cyclone attachment

Using the cleaner with the cyclone attachment installed reduces the amount of dust that enters the capsule, which helps to prevent the suction force from weakening. In addition, cleaning after use is also simple.

**⚠ CAUTION:** Always be sure that the tool is switched off and the battery cartridge is removed before carrying out any work on the tool. If the battery cartridge is left inserted, the cleaner may start unexpectedly and result in injury.

**⚠ CAUTION:** Clean the mesh filter of the cyclone attachment and the filters of the cleaner unit when they become clogged. Continued use in the clogged condition may result in heating or smoke.

**NOTICE:** When the cyclone attachment is attached, do not use the cleaner in the horizontal or upward facing condition. Doing so may cause the mesh filter to become clogged.

**NOTICE:** Always use the cleaner with the filters installed, even when using the cyclone attachment. Using the cleaner without the filters installed may result in a motor malfunction.

**NOTE:** Check that the cyclone attachment, cleaner, and straight pipe are locked properly before use.

**NOTE:** Empty the dust case of the cyclone attachment and the capsule of the cleaner when dust has accumulated. Continued use will result in weakened suction force.

## Disposing of dust

When dust has accumulated up to the full line of the dust case, follow the procedure below and dispose of the dust.

1. Hold the dust case firmly, press and hold the two buttons, and remove the dust case.

► **Fig.42:** 1. Full line 2. Dust case 3. Button (two locations) 4. Mesh filter

2. Dispose of the dust inside the dust case and remove any dust and powder adhered to the surface of the mesh filter.

3. Insert the dust case all the way until the two buttons lock with a click.

► **Fig.43:** 1. Dust case 2. Button (two locations)

**NOTE:** Check that the cyclone attachment, cleaner, and straight pipe are all firmly connected before restarting operation.

**NOTE:** If the suction force does not recover even after disposing of the dust and cleaning the mesh filter, check whether dust has accumulated in the capsule of the cleaner or clogging has occurred.

## Cleaning

When the dust case becomes dirty or the mesh filter is clogged, remove and wash them with water. (Refer to "Disposing of dust" for the removal procedure.)

Dry the parts thoroughly before reinstallation and use.

► **Fig.44:** 1. Dust case 2. Mesh filter

When the mesh filter gets dirty badly, clean it in the following procedures.

1. Turn the mesh filter counterclockwise and remove it while the hooks are unlocked.

► **Fig.45:** 1. Mesh filter 2. Hook

2. Remove the dust on the mesh filter and then wash it with water. After that, dry it thoroughly.

3. Insert the mesh filter into the base while the hooks are aligned with the port. Turn the mesh filter clockwise until the hooks are locked with a click. Make sure that the mesh filter is installed securely.

► **Fig.46:** 1. Mesh filter 2. Hook 3. Port



## 警告

- 在有人监督或在接受安全操作指导并清楚可能存在的危险后，8岁及以上的儿童以及体力、感觉、心智不健全或原本缺乏经验和相关知识的人员可操作本工具。
- 请勿让儿童玩耍本工具。在无人监督的情况下，请勿让儿童单独进行清洁和保养工作。
- 有关电池的类型信息，请参阅“规格”章节。
- 有关如何拆卸或安装电池的信息，请参阅“安装或拆卸电池组”部分。
- 丢弃电池组时，需将其从工具上卸下并在安全地带进行处理。关于如何处理废弃的电池，请遵循当地法规。
- 如长时间不使用工具，必须将电池从工具内取出。
- 请勿使电池组短路。
- 有关用户维护期间的注意事项的详情，请参阅“维护”章节。

## 规格

型号:	CL106FD
集尘能力	600 mL
持续使用时间 (带电池BL1016)	约16 min
长度	958 mm
额定电压	D.C. 10.8 V - 12 V (最大)
净重	0.98 - 1.1 kg

- 生产者保留变更规格不另行通知之权利。
- 规格可能因销往国家之不同而异。
- 重量不含附件，但包含电池组。设备和电池组的最轻和最重组合重量见表格。

## 适用电池组和充电器

电池组	BL1016 / BL1021B / BL1041B
充电器	DC10SA / DC10SB / DC10WC / DC10WD / DC18RE

- 部分以上所列电池组和充电器是否适用视用户所在地区而异。

**⚠警告：** 请仅使用以上所列电池组和充电器。使用其他类型的电池组或充电器可能会导致人身伤害和 / 或失火。

## 符号

以下显示本设备可能会使用的符号。在使用工具之前，请务必理解其含义。



阅读使用说明书。



仅限于欧盟国家

由于本设备中包含有害成分，因此废弃的电气和电子设备、蓄电池和普通电池可能会对环境和人体健康产生负面影响。请勿将电气和电子工具或电池与家庭普通废弃物放在一起处置！

根据欧洲关于废弃电气电子设备、蓄电池和普通电池的指令及其国家层面的修订法案，废弃的电气设备、普通电池和蓄电池应当单独存放并递送至城市垃圾收集点，根据环保法规进行处置。

此规定由标有叉形标志的带轮垃圾桶符号表示。

## 用途

本工具用于收集干尘。

## 安全警告

### 充电式吸尘器使用安全警告

**警告：**重要事项 使用前请仔细阅读所有的安全警告和所有的说明事项。若不遵循警告和说明事项，可能导致触电、起火和 / 或严重的人身伤害。

1. 勿使本工具淋雨。室内存放。
2. 勿用作玩具。由儿童使用或在其附近使用时，务必注意安全。
3. 仅用作本说明书描述的用途。仅使用制造商推荐的装置。
4. 请勿使用损坏的电池。如果工具因坠落、损坏、置于室外，或落入水中而不能正常工作，请将其送至维修中心。
5. 勿用湿手操作工具。

6. 勿将任何物体置于吸嘴中。吸嘴堵塞时请勿继续使用工具，注意防止灰尘、皮棉、毛发和任何可能阻挡气流的物体堵塞吸嘴。
7. 头发、宽松衣服、手指以及身体所有部位请勿靠近吸嘴和移动的部件。
8. 取出电池前关闭所有控制开关。
9. 清洁楼梯时要特别注意安全。
10. 请勿用本工具吸取汽油等易燃或可燃液体或在易燃或可燃液体附近使用本工具。
11. 仅使用制造商提供的充电器进行充电。
12. 请勿用本工具吸取香烟、火柴或热灰等燃烧或冒烟的物体。
13. 集尘袋和 / 或过滤器未放置到位时请勿使用。
14. 勿在室外对电池充电。
15. 请仅使用制造商指定的充电器进行充电。将适用于某一种类型电池组的充电器用于其他类型的电池组时，可能会导致起火。
16. 电动工具仅可使用专门指定的电池组。使用其他类型的电池组可能会导致人身伤害或起火。
17. 不使用电池组时请将其远离纸夹、硬币、钥匙、钉子、螺丝或其他小型金属物体放置。这些物体可能会使电池端子短路。
18. 使用过度时，电池中可能溢出液体。请避免接触。如果意外接触到电池漏液，请用水冲洗。
19. 不要使用损坏或改装过的电池包或工具。损坏或改装过的电池组可能呈现无法预测的结果，导致着火、爆炸或伤害。
20. 不要将电池包暴露于火或高温中。电池包暴露于火或高于 130 °C 的高温中可能导致爆炸。
21. 遵循所有充电说明。不要在说明书中指定的温度范围之外给电池包或电动工具充电。不正确或在指定的温度范围外充电可能会损坏电池和增加着火的风险。

## 请保留此说明书。

## 补充安全规则

本工具供室内使用。

1. 使用前请仔细阅读本说明书和充电器说明书。
2. 请勿吸取以下材料：
  - 高温物体，例如，点燃的香烟或磨削 / 切割金属时产生的火花 / 金属粉末

- 易燃物，例如，汽油、稀释剂、苯、煤油或油漆
- 易爆物体，例如，硝化甘油
- 可燃物，例如，铝、锌、镁、钛、磷或赛璐珞
- 湿土、水、油或类似物质
- 带有锐边的较硬物体，例如，木片、金属、石头、玻璃、铁钉、销钉或刀片
- 易结块粉末，例如，水泥或墨粉
- 导电粉尘，例如，金属或碳
- 细颗粒，例如，水泥灰

否则会导致起火、人身伤害和 / 或财产损失。

3. 若发现有任何异常请立即停止操作。
4. 如果您掉落或碰撞了吸尘器，操作前请仔细检查工具上是否有裂缝或损伤。
5. 勿将工具靠近火炉或其他热源。
6. 勿堵塞吸嘴或通风口。

## 请保留此说明书。

### 电池组的重要安全注意事项

1. 在使用电池组之前，请仔细阅读所有的说明以及 (1) 电池充电器，(2) 电池，以及 (3) 使用电池的产品上的警告标记。
2. 切勿拆卸或改装电池组。否则可能引起火灾、过热或爆炸。
3. 如果机器运行时间变得过短，请立即停止使用。否则可能会导致过热、起火甚至爆炸。
4. 如果电解液进入您的眼睛，用清水将其冲洗干净并立即就医。否则可能会导致视力受损。
5. 请勿使电池组短路：
  - (1) 请勿使任何导电材料碰到端子。
  - (2) 避免将电池组与其他金属物品如刀子、硬币等放置在同一容器内。
  - (3) 请勿将电池组置于水中或使其淋雨。电池短路将产生大的电流，导致过热，并可能导致起火甚至击穿。
6. 请勿在温度可能达到或超过 **50°C (122°F)** 的场所存放以及使用工具和电池组。
7. 即使电池组已经严重损坏或完全磨损，也请勿焚烧电池组。电池组会在火中爆炸。

8. 请勿对电池组射钉，或者切割、挤压、抛掷、掉落电池组，又或者用硬物撞击电池组。否则可能引起火灾、过热或爆炸。
9. 请勿使用损坏的电池。
10. 本工具自带的锂离子电池需符合危险品法规要求。

第三方或转运代理等进行商业运输时，应遵循包装和标识方面的特殊要求。有关运输项目的准备作业，咨询危险品方面的专业人士。同时，请遵守可能更为详尽的国家法规。

请使用胶带保护且勿遮掩表面的联络信息，并牢固封装电池，使电池在包装内不可动。

11. 丢弃电池组时，需将其从工具上卸下并在安全地带进行处理。关于如何处理废弃的电池，请遵循当地法规。
12. 仅将电池用于 **Makita (牧田)** 指定的产品。将电池安装至不兼容的产品会导致起火、过热、爆炸或电解液泄漏。
13. 如长时间未使用工具，必须将电池从工具内取出。
14. 使用工具期间以及使用工具之后，电池组温度可能较高易引起灼伤或低温烫伤。处理高温电池组时请小心操作。
15. 在使用工具后请勿立即触碰工具的端子，否则可能引起灼伤。
16. 避免锯屑、灰尘或泥土卡入电池组的端子、孔口和凹槽内。否则可能导致工具或电池组性能下降或故障。
17. 除非工具支持在高压电源线路附近使用，否则请勿在高压电源线路附近使用电池组。否则可能导致工具或电池组故障或失常。

18. 确保电池远离儿童。

## 请保留此说明书。

**⚠小心：** 请仅使用 **Makita (牧田)** 原装电池。使用非 **Makita (牧田)** 原装电池或经过改装的电池可能会导致电池爆炸，从而造成火灾、人身伤害或物品受损。同时也会导致牧田工具和充电器的牧田保修服务失效。

## 保持电池最大使用寿命的提示

1. 在电池组电量完全耗尽前及时充电。发现工具电量低时，请停止工具操作，并给电池组充电。
2. 请勿对已充满电的电池组重新充电。过度充电将缩短电池的使用寿命。

- 请在10 °C - 40 °C (50 °F - 104 °F) 的室温条件下给电池组充电。请在灼热的电池组冷却后再充电。
- 不使用电池组时，请将其从工具或充电器上拆除。

## 功能描述

**⚠小心：** 调节或检查工具功能之前，请务必关闭工具的电源并取出电池组。

**⚠小心：** 安装电池时注意勿让手指卡在吸尘机和电池之间（如下图所示）。否则可能会令手指受伤。

► 图片1

## 安装或拆卸电池组

**⚠小心：** 安装或拆卸电池组之前，请务必关闭工具电源。

**⚠小心：** 安装或拆卸电池组时请握紧工具和电池组。否则它们可能从您的手中滑落，导致工具和电池组受损，甚至造成人身伤害。

► 图片2: 1. 红色指示器 2. 按钮 3. 电池组

拆卸电池组时，按下电池组前侧的按钮，同时将电池组从工具中抽出。

安装电池组时，要将电池组上的舌簧与外罩上的凹槽对齐，然后推滑到位。将其完全插入到位，直到锁定并发出咔哒声为止。若能看到图示中的红色指示器，则说明未完全锁紧。

**⚠小心：** 务必完全装入电池组，直至看不见红色指示器为止。否则，它可能会从工具中意外脱落，从而造成自身或他人受伤。

**⚠小心：** 请勿强行安装电池组。如果电池组难以插入，可能是插入方法不当。

## 电池保护系统

本工具配备有电池保护系统。该系统可自动切断电机电源以延长电池寿命。

作业时，如果工具和 / 或电池处于以下情况时工具将会自动停止运转：

**电池电压低：**

剩余电池电量过低且工具不运行。如果启动工具，电机将再次运行，但将很快停止。在这种情况下，请取下电池并予以充电。

## 显示电池的剩余电量

**仅限带指示灯的电池组**

► 图片3: 1. 指示灯  
2. CHECK (查看) 按钮

按电池组上的CHECK (查看) 按钮可显示电池剩余电量。指示灯将亮起数秒。

指示灯		剩余电量
点亮	熄灭	
■ ■ ■ ■	□	75%至100%
■ ■ ■ □	□	50%至75%
■ ■ □ □	□	25%至50%
■ □ □ □	□	0%至25%

**注：** 在不同的使用条件及环境温度下，指示灯所示电量可能与实际情况略有不同。

## 开关操作

**⚠小心：** 在将电池组插入工具之前，请务必检查开关扳机是否能扣动自如，松开时能否退回至“OFF”（关闭）位置。

启动工具时，只要扣动开关扳机即可。松开开关扳机工具即停止。

► 图片4: 1. 开关扳机

## 点亮照明灯

**⚠小心：** 请勿直视灯光或光源。

扣动开关扳机打开照明灯。工具启动期间，照明灯打开。

松开开关即可熄灭照明灯。

► 图片5: 1. 照明灯 2. 开关扳机

## 装配

**⚠小心：**对工具进行任何装配操作前，请务必关闭工具电源，并取出电池组。

## 过滤器类型

### 普通过滤器

► **图片6：** 1. 尘仓 2. 预过滤器 3. 过滤器

### 高性能过滤器

► **图片7：** 1. 尘仓 2. 高性能过滤器

## 灰尘处理

**⚠小心：** 吸尘器中所装灰尘应及时清空，否则会降低吸力。

**⚠小心：** 务必清除吸尘器内部的灰尘。否则可能会导致过滤器堵塞或电机受损。

### 普通过滤器除尘

为除去粘在尘仓中过滤器上的灰尘，用手拍打尘仓4至5次。

► **图片8：** 1. 尘仓 2. 吸入口

将吸入口朝下，按图示箭头方向转动尘仓，慢慢笔直地卸下尘仓。

► **图片9：** 1. 尘仓 2. 吸入口

**注：** 尘仓打开时灰尘可能会散落，所以请务必将垃圾袋置于尘仓下。

除去尘仓内部和预过滤器上的灰尘。

► **图片10：** 1. 预过滤器 2. 尘仓

沿箭头方向转动预过滤器，松开吸尘器单元上的安全缘，然后拨下预过滤器。

► **图片11：** 1. 预过滤器 2. 安全缘

清除预过滤器上的细小灰尘。然后拨下过滤器，轻轻拍打，去除灰尘。

► **图片12：** 1. 过滤器 2. 预过滤器

### 高性能过滤器除尘

为除去粘在尘仓中过滤器上的灰尘，用手拍打尘仓4或5次。

将吸入口朝下，按图示箭头方向转动尘仓，慢慢笔直地卸下尘仓。

► **图片13：** 1. 尘仓 2. 吸入口

**注：** 尘仓打开时灰尘可能会散落，所以请务必将垃圾袋置于尘仓下。

除去尘仓内部和高性能过滤器上的灰尘。

► **图片14：** 1. 尘仓 2. 高性能过滤器

沿箭头方向转动高性能过滤器，松开吸尘器单元上的安全缘，然后拨下过滤器。

► **图片15：** 1. 安全缘

清除细小灰尘并轻轻拍打以去除高性能过滤器上的灰尘。

## 重新装配

### 重新装配普通过滤器

将过滤器在吸尘器单元上安装到位。

► **图片16：** 1. 过滤器

**注意：** 确保过滤器笔直装入且无卷曲。如果过滤器未按图示正确装入，灰尘会进入电机仓，导致电机故障。

► **图片17：** 1. 过滤器

安装预过滤器。此时，应转动预过滤器以使安全缘牢固锁入吸尘器单元。

► **图片18：** 1. 预过滤器 2. 安全缘

► **图片19**

安装尘仓。对齐尘仓上和把手附近的符号，然后沿箭头方向用力转动尘仓直至其牢固到位。

► **图片20：** 1. 尘仓 2. 把手 3. 标记

**注：** 务必及时清除吸尘器内的灰尘，如果灰尘过多，会降低工具吸力。

**注意：** 使用吸尘器前务必确保过滤器和预过滤器已正确安装。否则，灰尘会进入电机仓，导致电机故障。如果出现以下情况，则说明过滤器和预过滤器未正确安装。将它们重新安装以排除故障。

### 故障示例

示例1：仅装入预过滤器（未装过滤器）

► **图片21：** 1. 预过滤器

示例2：仅装入过滤器（未装预过滤器）

► **图片22：** 1. 过滤器

示例3：过滤器装入时出现卷曲

► **图片23：** 1. 过滤器

示例4：预过滤器的安全缘未牢固锁入吸尘器机仓凹槽内

► **图片24：** 1. 安全缘 2. 预过滤器 3. 吸尘器机仓凹槽

## 重新装配高性能过滤器

连接高性能过滤器。此时，应转动高性能过滤器以使安全缘牢固锁入吸尘器单元。

► **图片25:** 1. 高性能过滤器 2. 安全缘

► **图片26:** 1. 安全缘

安装尘仓。对齐尘仓和把手上的○符号，然后沿箭头方向用力转动尘仓直至其牢固到位。

► **图片27:** 1. ○符号

► **图片28:** 1. 把手 2. 尘仓

**注：** 务必及时清除吸尘器内的灰尘，如果灰尘过多，会降低工具吸力。

**注：** 使用吸尘器前务必确保高性能过滤器已正确安装。如果它们未正确安装，灰尘会进入电机仓，导致电机故障。

如果出现以下情况，则说明高性能过滤器未正确安装。将它们重新安装以排除故障。

### 故障示例

高性能过滤器的安全缘未牢牢安装至吸尘机仓凹槽。

► **图片29:** 1. 安全缘 2. 吸尘机仓凹槽

## 操作

**⚠小心：** 安装集尘口等装置时，沿箭头方向边转动边插入装置确保牢固连接。取下装置时，沿箭头方向转动拔出。如果转动方向弄反，安装或取下装置时，尘仓可能会松动。

► **图片30:** 1. 尘仓

## 清洁（吸入部）

### 集尘口

清洁桌子、办公桌或家具等时须安装集尘口。集尘口可轻松滑动。

► **图片31:** 1. 集尘口

### 集尘口+伸延杆（直管）

伸延杆位于集尘口和吸尘机之间。方便用户以站立的姿势清洁地板。

► **图片32:** 1. 吸尘机主机 2. 伸延杆  
3. 集尘口

## 角落集尘口

清洁汽车或家具的角落和缝隙时须安装角落集尘口。

► **图片33:** 1. 角落集尘口 2. 吸尘机主机

### 角落集尘口+伸延杆（直管）

清洁吸尘机无法进入的狭小的空间，或是难以触及的高处，可使用这样的组合。

► **图片34:** 1. 角落集尘口 2. 伸延杆 3. 吸尘机主机

## 无集尘口清洁

您可以不用集尘口来吸取粉末或灰尘。

► **图片35**

## 保养

**⚠小心：** 检查或保养工具之前，请务必关闭工具电源并取出电池组。

## 使用后

**注意：** 将吸尘机抵在墙壁上而不作任何其他支撑可能会导致吸尘机倾倒并造成损坏。

► **图片36**

## 清洁

**注意：** 切勿使用汽油、苯、稀释剂、酒精或类似物品清洁工具。否则可能会导致工具变色、变形或出现裂缝。

**注意：** 请勿使用吹风拂尘器吹去粘在吸尘机和过滤器上的灰尘。否则会将灰尘吹入电机仓导致设备故障。

**注意：** 清洗过滤器后，待其充分干燥后再使用。未经充分干燥的过滤器可能会降低吸滤性能和电机寿命。

**注意：** 清洁过滤器和海绵过滤器后，请务必在使用前重新安装它们。如果您使用吸尘机而未安装过滤器和海绵过滤器，灰尘会进入电机仓并导致设备故障。

## 吸尘机主机

要经常使用蘸有肥皂水的抹布擦除吸尘机外部（吸尘机主机）的灰尘。

另请清洁集尘口和过滤器安装区域。

► **图片37**

## 过滤器

当灰尘堵塞过滤器且吸尘器吸力降低时，可用肥皂水清洗过滤器。待其充分干燥后再使用。

### ► 图片38

## 海绵过滤器

海绵过滤器变脏时，请按以下所述进行清洁。

1. 拆下过滤器。
2. 从立柱之间拉出海绵过滤器。

3. 采用拍打或清洗方式清洁海绵过滤器。如果清洗，请待其充分干燥后再使用。

4. 将海绵过滤器插入立柱之间，并将其置回原位。确保立柱的各底部边缘固定住海绵过滤器，并且海绵过滤器和集尘口之间无间隙。

► 图片39: 1. 海绵过滤器 2. 立柱的底部边缘

## 集尘口清洁

集尘口刷变脏时，请清洁粘结的灰尘。

► 图片40: 1. 刷

## 故障排除

在请求维修前，请检查以下要点。

症状	检查区域	解决方法
吸力降低	尘仓灰尘已满?	清空尘仓内灰尘。
	过滤器是否被堵塞?	清洁或清洗过滤器。
	电池组是否已放电?	给电池组充电。
不工作	电池组是否已放电?	给电池组充电。

**⚠小心：请勿自行修理吸尘器。**

为了保证产品的安全与可靠性，维修、任何其他的维修保养或调节需由Makita（牧田）授权的或工厂维修服务中心完成。务必使用Makita（牧田）的替换部件。

## 选购附件

**⚠小心：这些附件或装置专用于本说明书所列的Makita（牧田）工具。如使用其他厂牌附件或装置，可能导致人身伤害。仅可将附件或装置用于规定目的。**

如您需要了解更多关于这些选购附件的信息，请咨询当地的Makita（牧田）维修服务中心。

- 伸延杆（直管）
- 集尘口
- 地毯清洁专用集尘口
- 货架刷
- 角落集尘口
- 圆刷
- 软管
- 过滤器
- 预过滤器
- 高性能过滤器
- 气旋组件

- Makita（牧田）原装电池和充电器

**注：**本列表中的一些部件可能作为标准配件包含于工具包装内。它们可能因销往国家之不同而异。

## 气旋组件

► 图片41: 1. 直管 2. 气旋组件 3. 吸气口

### 关于气旋组件

使用安装有气旋组件的吸尘器可减少进入尘仓内的灰尘量，由此可避免吸尘器吸力的下降。此外，气旋组件使用后，也十分易于清洁。

**⚠️小心：**对工具进行任何装配操作前，请务必关闭工具电源并取出电池组。若电池组保留在工具内，吸尘器可能会意外启动，从而造成人员伤害。

**⚠️小心：**当吸尘器的气旋组件滤网和过滤器阻塞时，应对其进行清洁。若任由其阻塞并继续使用可能会导致吸尘器过热或冒烟。

**注意：**吸尘器安装气旋组件后，请勿沿水平方向或将其朝向上方使用。否则可能导致滤网阻塞。

**注意：**即便使用气旋组件，也必须始终对吸尘器安装过滤器。使用未安装过滤器的吸尘器可能导致电机故障。

**注：**使用前请检查气旋组件、吸尘机和直管是否正确锁定。

**注：**当气旋组件的集尘盒和吸尘机的尘仓有灰尘积聚时，请将其清空。继续使用将导致吸力下降。

## 灰尘处理

当灰尘积聚量达到集尘盒的满载标线时，请按照以下步骤处理灰尘。

**1.** 将集尘盒抓紧，然后按住两个按钮将集尘盒拆除。

► **图片42：** 1. 满载标线 2. 集尘盒 3. 按钮（两处） 4. 滤网

**2.** 处理集尘盒内的灰尘，然后清除粘附在滤网表面的灰尘和粉末。

**3.** 将集尘盒径直插入底部直至听到咔哒声确认两个按钮锁定为止。

► **图片43：** 1. 集尘盒 2. 按钮（两处）

**注：**重新开始操作前，请检查气旋组件、吸尘机和直管是否已全部连接牢固。

**注：**在处理灰尘并清洁滤网之后，若吸力仍未恢复，请检查吸尘器尘仓是否有灰尘积聚或者是否阻塞。

## 清洁

若集尘盒脏污或者滤网阻塞，请清除阻塞物并用水清洗。（请参见“灰尘处理”章节了解清除步骤。）

重新安装和使用部件之前，请将部件彻底干燥。

► **图片44：** 1. 集尘盒 2. 滤网

若滤网污染严重，请按以下步骤清洁滤网。

**1.** 沿逆时针旋转滤网，卡钩解锁时拆卸滤网。

► **图片45：** 1. 滤网 2. 卡钩

**2.** 清除滤网上的灰尘，然后用水清洗滤网。随后将其彻底干燥。

**3.** 将卡钩与端口对齐，与此同时将滤网插入基座内。顺时针旋转滤网直至听到咔哒声确认卡钩锁定为止。确保滤网安装牢固。

► **图片46：** 1. 滤网 2. 卡钩 3. 端口



## PERINGATAN

- Peralatan ini dapat digunakan oleh anak-anak berumur 8 tahun ke atas dan orang dengan kekurangan kemampuan fisik, indra, atau jiwa atau kurangnya pengalaman dan pengetahuan jika mereka diawasi atau panduan yang berkaitan dengan penggunaan peralatan secara aman dan pemahaman bahaya yang dapat terjadi.
- Jangan membiarkan anak-anak bermain dengan peralatan ini. Pembersihan dan perawatan pengguna tidak boleh dilakukan oleh anak-anak tanpa pengawasan.
- Lihat bagian "SPESIFIKASI" untuk mengetahui referensi tipe baterai.
- Lihat bagian "Memasang atau melepas kartrid baterai" untuk mengetahui cara mengganti atau memasang baterai.
- Ketika membuang kartrid baterai, lepaskan dari mesin dan buang ke tempat yang aman. Patuhi peraturan setempat yang berkaitan dengan pembuangan baterai.
- Jika mesin tidak digunakan dalam jangka waktu yang lama, baterai harus dilepas dari mesin.
- Jangan menghubungkan terminal kartrid baterai.
- Lihat bagian "PEMELIHARAAN" untuk mengetahui detail tindakan pencegahan yang sesuai selama perawatan oleh pengguna.

## SPESIFIKASI

Model:	CL106FD
Kapasitas	600 mL
Penggunaan secara terus menerus (dengan baterai BL1016)	Sekitar. 16 min
Panjang keseluruhan	958 mm
Tegangan terukur	D.C. 10,8 V - 12 V maks
Berat bersih	0,98 - 1,1 kg

- Karena kesinambungan program penelitian dan pengembangan kami, spesifikasi yang disebutkan di sini dapat berubah tanpa pemberitahuan.
- Spesifikasi dapat berbeda dari satu negara ke negara lainnya.
- Berat tidak termasuk aksesoris selain kartrid baterai. Berat gabungan paling ringan dan paling berat dari peralatan dan kartrid baterai ditampilkan dalam tabel.

## Kartrid dan pengisi daya baterai yang dapat digunakan

Kartrid baterai	BL1016 / BL1021B / BL1041B
Pengisi daya	DC10SA / DC10SB / DC10WC / DC10WD / DC18RE

- Beberapa kartrid baterai dan pengisi daya yang tercantum di atas mungkin tidak tersedia, tergantung wilayah tempat tinggal Anda.

**⚠ PERINGATAN:** Hanya gunakan kartrid dan pengisi daya baterai yang tercantum di atas. Penggunaan kartrid dan pengisi daya baterai lain dapat menimbulkan risiko cedera dan/atau kebakaran.

## Simbol

Berikut ini adalah simbol-simbol yang dapat digunakan pada peralatan ini. Pastikan Anda memahami arti masing-masing simbol sebelum menggunakan peralatan.



Baca petunjuk penggunaan.



Hanya untuk negara-negara UE  
Akibat adanya komponen berbahaya dalam peralatan, limbah peralatan listrik dan elektronik, aki dan baterai dapat memiliki dampak negatif pada lingkungan dan kesehatan manusia.  
Jangan buang peralatan listrik dan elektronik atau baterai bersama limbah rumah tangga!  
Sesuai dengan Petunjuk Eropa tentang limbah peralatan listrik dan elektronik dan tentang aki dan baterai serta limbah aki dan baterai, serta penyesuaiannya terhadap undang-undang nasional, limbah peralatan listrik, baterai dan aki harus disimpan secara terpisah dan dikirim ke tempat pengumpulan terpisah untuk sampah kota, beroperasi sesuai dengan peraturan tentang perlindungan lingkungan.  
Hal ini ditunjukkan dengan simbol tempat sampah bersilang yang ditempatkan pada peralatan.

## Penggunaan

Mesin ini digunakan untuk membersihkan debu kering.

## PERINGATAN KESELAMATAN

### Peringatan keselamatan pembersih tanpa kabel

**⚠ PERINGATAN: PENTING BACALAH** semua peringatan keselamatan dan semua petunjuk **SEBELUM MENGGUNAKAN DENGAN SAKSAMA.** Kelalaian mematuhi peringatan dan petunjuk dapat menyebabkan sengatan listrik, kebakaran, dan/atau cedera serius.

1. **Jangan membiarkan alat kehujanan. Simpan di dalam ruangan.**
2. **Jangan jadikan alat ini sebagai mainan. Perhatikan dengan saksama saat digunakan oleh anak-anak atau dekat dengan mereka.**
3. **Gunakan hanya sebagaimana dijelaskan dalam buku panduan ini. Gunakan hanya peralatan tambahan yang direkomendasikan produsen.**
4. **Jangan digunakan dengan baterai yang rusak. Jika peralatan tidak bekerja dengan semestinya, terjatuh, rusak, tertinggal di luar, atau terjatuh ke dalam air, kembalikan peralatan ke pusat servis.**

5. **Jangan menggunakan peralatan dengan tangan yang basah.**
6. **Jangan menaruh benda apa pun di dalam bukaan. Jangan digunakan saat bukaan terhalang; bersihkan dari debu, benang, rambut, dan apa pun yang dapat mengurangi aliran udara.**
7. **Jauhkan rambut, pakaian yang longgar, jari, dan semua bagian tubuh dari bukaan dan bagian yang bergerak.**
8. **Matikan semua kontrol sebelum melepas baterai.**
9. **Berhati-hatilah saat membersihkan lantai.**
10. **Jangan digunakan untuk membersihkan cairan yang mudah terbakar, seperti bensin, atau digunakan di area di mana terdapat cairan tersebut.**
11. **Hanya gunakan pengisi daya yang disertakan oleh produsen untuk mengisi daya.**
12. **Jangan membersihkan apa pun yang bisa terbakar atau berasap, seperti rokok, abu atau abu panas.**
13. **Jangan menggunakan tanpa kantong debu dan/atau saringan pada tempatnya.**
14. **Jangan mengisi daya baterai di luar ruangan.**
15. **Isi ulang baterai hanya dengan pengisi daya yang ditentukan oleh pabrikan.** Pengisi daya yang cocok untuk satu jenis paket baterai dapat menimbulkan risiko kebakaran ketika digunakan untuk paket baterai yang lain.
16. **Gunakan mesin listrik hanya dengan paket baterai yang telah ditentukan secara khusus.** Penggunaan paket baterai lain dapat menimbulkan risiko cedera dan kebakaran.
17. **Ketika paket baterai tidak digunakan, jauhkan dari benda logam lain, seperti penjepit kertas, uang logam, kunci, paku, sekrup, atau benda logam kecil lainnya, yang dapat menghubungkan satu terminal ke terminal lain.**
18. **Pemakaian yang salah, dapat menyebabkan keluarnya cairan dari baterai; hindari kontak. Jika terjadi kontak secara tidak sengaja, bilas dengan air.**
19. **Jangan menggunakan paket baterai atau mesin yang sudah rusak atau telah diubah.** Baterai yang rusak atau telah diubah dapat menyebabkan hal-hal yang tidak dapat diprediksi yang dapat menyebabkan kebakaran, ledakan atau risiko cedera.
20. **Jangan membiarkan paket baterai atau mesin dekat dengan api atau suhu yang berlebihan.** Paparan api atau suhu di atas 130 °C dapat menyebabkan ledakan.
21. **Ikuti semua petunjuk pengisian daya dan jangan mengisi daya paket baterai atau mesin di luar rentang suhu yang ditentukan di panduan.** Mengisi daya secara tidak tepat atau pada suhu di luar rentang yang ditentukan dapat merusak baterai dan meningkatkan risiko kebakaran.

## SIMPAN PETUNJUK INI.

## ATURAN KESELAMATAN TAMBAHAN

Peralatan ini ditujukan untuk penggunaan rumah tangga.

1. Baca petunjuk penggunaan dan petunjuk instruksi pengisian daya ini dengan hati-hati sebelum menggunakan alat.
2. Jangan membersihkan bahan-bahan berikut:
  - Bahan panas seperti rokok atau percikan/debu logam yang ditimbulkan dari proses gerinda/pemotongan logam
  - Bahan-bahan mudah terbakar seperti bensin, tiner, kerosin atau cat
  - Bahan-bahan mudah meledak seperti nitrogliserin
  - Bahan-bahan yang dapat menyulut api seperti Aluminium, seng, magnesium, titanium, fosforus atau seluloid
  - Debu basah, air, minyak atau sejenisnya
  - Potongan keras dengan tepian tajam seperti serpihan kayu, logam, batu, kaca, paku, pin atau pisau cukur
  - Bubuk menggumpal seperti semen atau toner
  - Debu konduktif seperti logam atau karbon
  - Partikel halus seperti debu betonTindakan tersebut dapat menyebabkan kebakaran, cedera dan/atau kerusakan properti.
3. Segera hentikan pengoperasian segera jika Anda melihat adanya sesuatu yang tidak wajar.
4. Jika Anda menjatuhkan atau menabrakkan pembersih, periksa secara hati-hati apakah terdapat keretakan atau kerusakan sebelum pengoperasian.
5. Jangan digunakan dekat dengan kompor atau sumber panas lainnya.
6. Jangan menghalangi lubang asupan atau lubang ventilasi.

## SIMPAN PETUNJUK INI.

### Petunjuk keselamatan penting untuk kartrid baterai

1. Sebelum menggunakan kartrid baterai, bacalah semua petunjuk dan penandaan pada (1) pengisi daya baterai, (2) baterai, dan (3) produk yang menggunakan baterai.
2. Jangan membongkar atau memodifikasi kartrid baterai. Tindakan tersebut dapat menimbulkan api, panas berlebih, atau ledakan.
3. Jika waktu beroperasinya menjadi sangat singkat, segera hentikan penggunaan. Hal tersebut dapat menimbulkan risiko panas berlebih, kemungkinan mengalami luka bakar atau bahkan terjadi ledakan.
4. Jika elektrolit mengenai mata Anda, basuh dengan air bersih dan segera cari pertolongan medis. Hal tersebut dapat mengakibatkan hilangnya kemampuan penglihatan Anda.

5. Jangan menghubungkan terminal kartrid baterai:
  - (1) Jangan menyentuh terminal dengan bahan penghantar listrik apa pun.
  - (2) Hindari menyimpan kartrid baterai pada wadah yang berisi benda logam lain seperti paku, uang logam, dsb.
  - (3) Jangan membiarkan baterai terkena air atau kehujanan.Hubungan singkat baterai dapat menyebabkan aliran arus listrik yang besar, panas berlebih, kemungkinan mengalami luka bakar dan bahkan kerusakan pada baterai.
6. Jangan menyimpan dan menggunakan mesin dan kartrid baterai pada lokasi dengan suhu yang bisa mencapai atau melebihi 50 °C (122 °F).
7. Jangan membuang kartrid baterai di tempat pembakaran sampah walaupun benar-benar rusak atau tidak bisa digunakan sama sekali. Kartrid baterai bisa meledak jika terbakar.
8. Jangan memaku, memotong, menghancurkan, melempar, menjatuhkan kartrid baterai, atau memukulkan benda keras ke kartrid baterai. Tindakan tersebut dapat menimbulkan api, panas berlebih, atau ledakan.
9. Jangan menggunakan baterai yang rusak.
10. Baterai litium-ion yang disertakan sesuai dengan persyaratan Perundangan Makanan Berbahaya.

Harus ada pengawasan untuk pengangkutan komersial misalnya oleh pihak ketiga, ekspeditor, persyaratan khusus terhadap pengemasan dan pelabelan.

Diperlukan adanya konsultasi dengan ahli mengenai material berbahaya untuk persiapan barang yang akan dikirimkan. Perhatikan pula peraturan nasional yang lebih terperinci yang mungkin ada.

Beri perekat atau tutupi bagian yang terbuka dan kemasi baterai dengan cara yang tidak akan menimbulkan pergeseran dalam pengemasan.

11. Ketika membuang kartrid baterai, lepaskan dari mesin dan buang ke tempat yang aman. Patuhi peraturan setempat yang berkaitan dengan pembuangan baterai.
12. Gunakan baterai hanya dengan produk yang ditentukan oleh Makita. Memasang baterai pada produk yang tidak sesuai dapat menyebabkan kebakaran, kelebihan panas, ledakan, atau kebocoran elektrolit.
13. Jika mesin tidak digunakan dalam jangka waktu yang lama, baterai harus dilepas dari mesin.
14. Selama dan setelah digunakan, kartrid baterai mungkin menyimpan panas yang dapat menyebabkan luka bakar atau luka bakar suhu rendah. Perhatikan cara memegang kartrid baterai yang masih panas.
15. Jangan langsung menyentuh terminal mesin setelah digunakan karena suhunya mungkin cukup panas untuk menyebabkan luka bakar.

16. Jangan biarkan serpihan, debu, atau tanah menempel di terminal, lubang, dan alur kartrid baterai. Hal tersebut dapat mengakibatkan kinerja buruk atau kerusakan mesin maupun kartrid baterai.
17. Kecuali jika mesin mendukung penggunaan di dekat saluran listrik bertegangan tinggi, jangan gunakan kartrid baterai di dekat saluran listrik bertegangan tinggi. Hal tersebut dapat mengakibatkan kegagalan fungsi atau kerusakan mesin maupun kartrid baterai.
18. Jauhkan baterai dari jangkauan anak-anak.

## SIMPAN PETUNJUK INI.

**⚠️PERHATIAN:** Gunakan baterai asli Makita. Penggunaan baterai Makita yang tidak asli, atau baterai yang sudah diubah, akan mengakibatkan baterai mudah terbakar, cedera dan kerusakan. Akan menghilangkan garansi Makita pada pengisi daya dan alat Makita.

## Tip untuk menjaga agar umur pemakaian baterai maksimum

1. Isi ulang kartrid baterai sebelum habis sama sekali. Selalu hentikan penggunaan mesin dan ganti kartrid baterai jika Anda melihat bahwa mesin kurang tenaga.
2. Jangan pernah mengisi ulang kartrid baterai yang sudah diisi penuh. Pengisian ulang yang berlebihan memperpendek umur pemakaian baterai.
3. Isi ulang kartrid baterai pada suhu ruangan 10 °C - 40 °C. Biarkan kartrid baterai yang panas menjadi dingin terlebih dahulu sebelum diisi ulang.
4. Saat kartrid baterai tidak digunakan, lepaskan dari mesin atau pengisi daya.

## DESKRIPSI FUNGSI

**⚠️PERHATIAN:** Selalu pastikan bahwa mesin dimatikan dan kartrid baterai dilepas sebelum menyatel atau memeriksa kerja mesin.

**⚠️PERHATIAN:** Berhati-hatilah agar jari Anda tidak terjepit antara pembersih dan baterai seperti yang ditunjukkan pada diagram saat memasang baterai. Jari yang terjepit dapat menyebabkan cedera.

► Gbr.1

## Memasang atau melepas baterai

**⚠️PERHATIAN:** Selalu matikan mesin sebelum memasang atau melepas kartrid baterai.

**⚠️PERHATIAN:** Pegang mesin dan kartrid baterai kuat-kuat saat memasang atau melepas kartrid baterai. Kelalaian untuk memegang mesin dan kartrid baterai kuat-kuat bisa menyebabkan keduanya tergelincir dari tangan Anda dan mengakibatkan kerusakan pada mesin dan kartrid baterai dan cedera diri.

- **Gbr.2:** 1. Indikator berwarna merah 2. Tombol 3. Kartrid baterai

Untuk melepas kartrid baterai, geser dari mesin sambil menggeser tombol pada bagian depan kartrid.

Untuk memasang kartrid baterai, sejajarkan lidah kartrid baterai dengan alur pada rumah dan masukkan ke dalam tempatnya. Masukkan seluruhnya sampai terkunci pada tempatnya dan terdengar bunyi klik kecil. Jika Anda bisa melihat indikator berwarna merah seperti yang ditunjukkan pada gambar, ini artinya kartrid baterai tidak terkunci sempurna.

**⚠️PERHATIAN:** Selalu pasang kartrid baterai sepenuhnya sampai indikator berwarna merah tidak terlihat. Jika tidak, bisa terlepas dari mesin secara tidak sengaja, menyebabkan luka pada Anda atau orang di sekitar Anda.

**⚠️PERHATIAN:** Jangan memasang kartrid baterai secara paksa. Jika kartrid tidak bergeser dengan mudah, berarti tidak dimasukkan dengan benar.

## Sistem perlindungan baterai

Mesin ini dilengkapi dengan sistem perlindungan baterai. Sistem ini memutus daya ke motor secara otomatis untuk memperpanjang umur pemakaian baterai.

Mesin akan berhenti secara otomatis saat penggunaan jika mesin dan/atau baterai berada dalam kondisi berikut ini:

### Tegangan baterai rendah:

Kapasitas baterai yang tersisa terlalu rendah dan mesin tidak akan beroperasi. Jika Anda menyalakan mesin, motor akan menyala lagi tetapi segera berhenti. Untuk situasi ini, lepas dan isi ulang baterai.

## Mengindikasikan kapasitas baterai yang tersisa

*Hanya untuk kartrid baterai dengan indikator*

- **Gbr.3:** 1. Lampu indikator 2. Tombol pemeriksaan

Tekan tombol pemeriksaan pada kartrid baterai untuk melihat kapasitas baterai yang tersisa. Lampu indikator menyala selama beberapa detik.

Lampu indikator		Kapasitas yang tersisa
Menyala	Mati	
		75% hingga 100%
		50% hingga 75%
		25% hingga 50%
		0% hingga 25%

**CATATAN:** Tergantung kondisi penggunaan dan suhu lingkungannya, penunjukkan mungkin saja sedikit berbeda dari kapasitas sebenarnya.

## Kerja sakelar

**PERHATIAN:** Sebelum memasukkan kartrid baterai pada mesin, pastikan picu saklar berfungsi dengan baik dan kembali ke posisi "OFF" saat dilepas.

Untuk menjalankan mesin, cukup tarik picu sakelarnya. Lepaskan pelatuk sakelar untuk berhenti.

► **Gbr.4:** 1. Picu sakelar

## Menyalakan lampu

**PERHATIAN:** Jangan melihat lampu atau sumber cahaya secara langsung.

Untuk menyalakan lampu, tarik tombol picu sakelar. Selama mesin dijalankan, lampu menyala. Lepaskan sakelar untuk mematikan lampu.

► **Gbr.5:** 1. Lampu 2. Picu sakelar

## PERAKITAN

**PERHATIAN:** Selalu pastikan bahwa mesin dimatikan dan kartrid baterai dilepas sebelum melakukan pekerjaan apa pun pada mesin.

## Tipe saringan

### Saringan normal

► **Gbr.6:** 1. Kapsul 2. Pra-saringan 3. Saringan

### Saringan berkinerja tinggi

► **Gbr.7:** 1. Kapsul 2. Saringan berkinerja tinggi

## Membuang debu

**PERHATIAN:** Kosongkan pembersih sebelum terlalu penuh dengan debu, atau tekanan pengisap akan melemah.

**PERHATIAN:** Pastikan untuk mengosongkan bagian dalam pembersih dari debu. Kelalaian dalam melakukannya dapat menyebabkan saringan tersumbat atau motor menjadi rusak.

## Membuang debu untuk tipe saringan normal

Untuk menjatuhkan debu yang menempel pada saringan di dalam kapsul, ketuk kapsul 4 hingga 5 kali dengan tangan Anda.

► **Gbr.8:** 1. Kapsul 2. Tempat masuk pengisap

Arahkan tempat masuk pengisap ke bawah, putar kapsul searah dengan panah seperti yang digambarkan, dan lepaskan kapsul perlahan dan dengan posisi tegak lurus.

► **Gbr.9:** 1. Kapsul 2. Tempat masuk pengisap

**CATATAN:** Pastikan untuk menaruh kantong sampah di bawah kapsul, karena debu dapat tumpah saat kapsul dibuka.

Lepas debu yang dikumpulkan dari dalam kapsul dan lepas dari pra-saringan.

► **Gbr.10:** 1. Pra-saringan 2. Kapsul

Putar pra-saringan searah dengan panah untuk membuka tepi pengencang dari unit pembersih dan kemudian tarik pra-saringan.

► **Gbr.11:** 1. Pra-saringan 2. Tepi pengencang

Bersihkan debu halus dari pra-saringan. Kemudian, tarik saringan dan perlahan ketuk saringan untuk membuang debu.

► **Gbr.12:** 1. Saringan 2. Pra-saringan

## Membuang debu untuk tipe saringan berkinerja tinggi

Untuk menjatuhkan debu yang menempel pada saringan di dalam kapsul, ketuk kapsul sebanyak 4 atau 5 kali menggunakan tangan Anda.

Sekarang, arahkan tempat masuk pengisap ke bawah, putar kapsul searah dengan panah dalam diagram, dan lepaskan kapsul perlahan dan dengan posisi tegak lurus.

► **Gbr.13:** 1. Kapsul 2. Tempat masuk pengisap

**CATATAN:** Debu dapat tumpah saat kapsul dibuka, jadi pastikan untuk menaruh kantong sampah di bawah kapsul.

Lepas debu yang dikumpulkan dari dalam kapsul dan lepaskan dari saringan berkinerja tinggi.

► **Gbr.14:** 1. Kapsul 2. Saringan berkinerja tinggi

Putar saringan berkinerja tinggi searah dengan panah untuk membuka tepi pengencang dari unit pembersih dan kemudian tarik saringan.

► **Gbr.15:** 1. Tepi pengencang

Bersihkan debu halus dan ketuk perlahan untuk mengeluarkan debu dari saringan berkinerja tinggi.

## Memasang kembali

### Memasang kembali untuk tipe saringan normal

Pasang saringan sepenuhnya pada posisi di unit pembersih.

► **Gbr.16:** 1. Saringan

**PEMBERITAHUAN:** Pastikan saringan dipasang secara lurus tanpa ditarik kembali. Jika saringan salah terpasang seperti yang digambarkan, debu akan masuk ke dalam rumah motor, dan menyebabkan kegagalan motor.

► **Gbr.17:** 1. Saringan

Memasang pra-saringan. Saat ini, pastikan untuk memutar pra-saringan sehingga tepi pengencang terkunci secara kuat di unit pembersih.

► **Gbr.18:** 1. Pra-saringan 2. Tepi pengencang

► **Gbr.19**

Pasang kapsul. Sejajarkan tanda pada kapsul dengan tanda di dekat gagang dan kemudian putar dengan kuat kapsul searah dengan arah panah hingga kencang.

► **Gbr.20:** 1. Kapsul 2. Pegangan 3. Tanda

**CATATAN:** Selalu buang debu sebelum penuh, karena daya isap akan berkurang jika terlalu banyak terdapat debu di pembersih.

**PEMBERITAHUAN:** Selalu pastikan untuk memeriksa kedua saringan dan pra-saringan terpasang dengan benar sebelum menggunakan pembersih. Jika salah terpasang, debu akan masuk ke dalam rumah motor, dan menyebabkan kegagalan motor. Jika contoh berikut terjadi, saringan dan pra-saringan tidak terpasang dengan benar. Pasang ulang kembali untuk memperbaiki masalah.

### Contoh Masalah

Contoh 1: Hanya pra-saringan yang telah terpasang (tidak ada saringan)

► **Gbr.21:** 1. Pra-saringan

Contoh 2: Hanya saringan yang telah terpasang (tidak ada pra-saringan)

► **Gbr.22:** 1. Saringan

Contoh 3: Saringan telah terpasang dengan kondisi tertarik kembali

► **Gbr.23:** 1. Saringan

Contoh 4: Tepi pengencang pada pra-saringan tidak terkunci dengan kuat di alur pada rumah pembersih

► **Gbr.24:** 1. Tepi pengencang 2. Pra-saringan 3. Alur pada rumah pembersih

## Memasang kembali untuk tipe saringan berkinerja tinggi

Sambungkan saringan berkinerja tinggi. Saat ini, pastikan untuk memutar saringan berkinerja tinggi, sehingga tepi pengencang terkunci secara kuat ke dalam unit pembersih.

► **Gbr.25:** 1. Saringan berkinerja tinggi 2. Tepi pengencang

► **Gbr.26:** 1. Tepi pengencang

Sambungkan kapsul. Sejajarkan simbol O pada kapsul dengan simbol O pada pegangan dan kemudian putar dengan kuat kapsul searah dengan arah panah hingga kencang.

► **Gbr.27:** 1. Tanda O

► **Gbr.28:** 1. Pegangan 2. Kapsul

**CATATAN:** Selalu buang debu sebelum penuh karena daya isap akan berkurang jika terlalu banyak terdapat debu di pembersih.

**CATATAN:** Selalu pastikan untuk memeriksa jika saringan berkinerja tinggi telah terpasang dengan benar sebelum menggunakan pembersih. Jika saringan tidak dipasang dengan benar, debu akan masuk ke dalam rumah motor, dan akan menyebabkan motor tidak dapat berfungsi. Jika contoh-contoh berikut terjadi, ini berarti saringan berkinerja tinggi tidak dipasang dengan benar. Pasang ulang kembali untuk memperbaiki masalah.

### Contoh Masalah

Tepi pengencang pada saringan berkinerja tinggi tidak terkunci dengan kuat pada alur rumah pembersih.

► **Gbr.29:** 1. Tepi pengencang 2. Alur rumah pembersih

## PENGUNAAN

**PERHATIAN:** Untuk menyambungkan perangkat tambahan seperti nosel, putar dan masukkan perangkat tambahan searah dengan arah panah untuk mengencangkan sambungan selama penggunaan. Untuk melepas perangkat tambahan, putar dan tarik sesuai dengan arah panah. Jika perangkat tambahan diputar berlawanan arah panah saat terpasang atau terlepas, kapsul dapat melonggar.

► **Gbr.30:** 1. Kapsul

## Pembersihan (Pengisap)

### Nosel

Pasang nosel untuk membersihkan meja, kursi, furnitur, dsb. Nosel akan mudah bergerak.

► **Gbr.31:** 1. Nosel

## Nosel + pipa sambungan (Pipa lurus)

Pipa sambungan terpasang antara nosel dan pembersih. Susunan ini nyaman untuk membersihkan lantai dengan posisi berdiri.

- **Gbr.32:** 1. Badan pembersih 2. Pipa sambungan  
3. Nosel

## Nosel sudut

Pasangkan nosel sudut untuk membersihkan sudut dan celah-celah pada mobil atau furnitur.

- **Gbr.33:** 1. Nosel sudut 2. Badan pembersih

## Nosel sudut + pipa sambungan (Pipa lurus)

Di ruang yang sempit di mana pembersih tidak dapat menjangkaunya, atau di tempat tinggi yang sulit dijangkau, gunakan susunan ini.

- **Gbr.34:** 1. Nosel sudut 2. Pipa sambungan  
3. Badan pembersih

## Membersihkan tanpa nosel

Anda dapat membersihkan serbuk dan debu tanpa nosel.

- **Gbr.35**

## PERAWATAN

**⚠ PERHATIAN:** Selalu pastikan bahwa mesin dimatikan dan kartrid baterai dilepas sebelum melakukan pemeriksaan atau perawatan.

## Setelah penggunaan

**PEMBERITAHUAN:** Meletakkan pembersih terhadap dinding tanpa penyangga lain dapat menyebabkan pembersih jatuh dan rusak.

- **Gbr.36**

## Pembersihan

**PEMBERITAHUAN:** Jangan sekali-kali menggunakan bensin, tiner, alkohol, atau bahan sejenisnya. Penggunaan bahan demikian dapat menyebabkan perubahan warna, perubahan bentuk atau timbulnya retakan.

**PEMBERITAHUAN:** Jangan meniup debu yang menempel pada penghisap debu dan saringan dengan mesin meniup. Tindakan ini akan mengakibatkan debu terbawa masuk ke dalam rumah dan menyebabkan kerusakan.

**PEMBERITAHUAN:** Setelah mencuci saringan, keringkan secara menyeluruh sebelum digunakan. Saringan yang tidak cukup kering dapat menyebabkan pengisapan menjadi buruk dan memperpendek usia pakai motor.

**PEMBERITAHUAN:** Setelah membersihkan saringan dan saringan spons, pastikan untuk memasangnya kembali sebelum digunakan. Jika Anda menggunakan pembersih tanpa saringan dan saringan spons, debu akan masuk ke dalam rumah motor dan menyebabkan malafungsi.

## Badan pembersih

Bersihkan bagian luar (badan pembersih) mesin dari waktu ke waktu dengan menggunakan kain yang dicelup air sabun.

Bersihkan juga bukaan pengisap dan area pemasangan saringan.

- **Gbr.37**

## Saringan

Cuci saringan dengan air sabun saat tersumbat oleh debu dan daya pembersih melemah. Keringkan secara menyeluruh sebelum digunakan.

- **Gbr.38**

## Saringan spons

Jika saringan spons menjadi kotor, bersihkan seperti berikut.

1. Lepaskan saringan.
2. Tarik saringan spons dari antara pilar.
3. Bersihkan saringan spons dengan ditepuk-tepuk atau dicuci. Jika Anda mencucinya, keringkan secara menyeluruh sebelum digunakan.
4. Masukkan saringan spons dari antara pilar dan atur pada posisinya semula. Pastikan jika masing-masing ujung bawah pilar menahan filter spons, dan tidak ada celah antara saringan spons dan bukaan pengisap.

- **Gbr.39:** 1. Saringan spons 2. Ujung bawah pilar

## Membersihkan nosel

Ketika sikat nosel berdebu, bersihkan debu dengan selotip.

► **Gbr.40:** 1. Sikat

## Pemecahan masalah

Sebelum meminta perbaikan, periksa poin-poin berikut.

Gejala	Bagian yang harus diperiksa	Metode perbaikan
Daya pengisapan lemah	Apakah kapsul penuh dengan debu?	Kosongkan kapsul dari debu.
	Apakah saringan tersumbat?	Bersihkan atau cuci saringan.
	Apakah daya kartrid baterai habis?	Isi ulang kartrid baterai.
Tidak bekerja	Apakah daya kartrid baterai habis?	Isi ulang kartrid baterai.

**⚠PERHATIAN:** Jangan mencoba memperbaiki pembersih oleh Anda sendiri.

Untuk menjaga KEAMANAN dan KEANDALAN mesin, perbaikan, perawatan atau penyetelan lainnya harus dilakukan oleh Pusat Layanan Resmi atau Pabrik Makita; selalu gunakan suku cadang pengganti buatan Makita.

## AKSESORI PILIHAN

**⚠PERHATIAN:** Dianjurkan untuk menggunakan aksesoris atau perangkat tambahan ini dengan mesin Makita Anda yang ditentukan dalam petunjuk ini. Penggunaan aksesoris atau perangkat tambahan lain bisa menyebabkan risiko cedera pada manusia. Hanya gunakan aksesoris atau perangkat tambahan sesuai dengan peruntukannya.

Jika Anda memerlukan bantuan lebih rinci berkenaan dengan aksesoris ini, tanyakan pada Pusat Layanan Makita terdekat.

- Pipa sambungan (Pipa lurus)
- Nosel
- Nosel untuk karpet
- Sikat rak
- Nosel sudut
- Sikat bulat
- Selang fleksibel
- Saringan
- Pra-saringan
- Saringan berkinerja tinggi
- Perangkat tambahan siklon
- Baterai dan pengisi daya asli buatan Makita

**CATATAN:** Beberapa item dalam daftar tersebut mungkin sudah termasuk dalam paket mesin sebagai aksesoris standar. Hal tersebut dapat berbeda dari satu negara ke negara lainnya.

## Perangkat tambahan siklon

► **Gbr.41:** 1. Pipa lurus 2. Perangkat tambahan siklon 3. Tempat masuk pengisap

## Tentang perangkat tambahan siklon

Menggunakan pembersih dengan perangkat tambahan siklon yang terpasang dapat mengurangi jumlah debu yang masuk ke kapsul, sehingga membantu mencegah melemahnya daya pengisapan. Selain itu, langkah pembersihan setelah penggunaan juga sederhana.

**⚠PERHATIAN:** Selalu pastikan bahwa mesin dimatikan dan kartrid baterai dilepas sebelum melakukan pekerjaan apa pun pada mesin. Jika kartrid baterai dibiarkan terpasang, pembersih dapat menyala secara tak terduga dan mengakibatkan cedera.

**⚠PERHATIAN:** Bersihkan saringan jala pada perangkat tambahan siklon dan saringan pada unit pembersih apabila tersumbat. Penggunaan yang terus menerus dalam kondisi tersumbat dapat menyebabkan panas berlebih atau asap.

**PEMBERITAHUAN:** Ketika perangkat tambahan siklon terpasang, jangan gunakan pembersih dalam posisi horizontal atau menghadap ke atas. Tindakan tersebut dapat menyebabkan tersumbatnya saringan jala.

**PEMBERITAHUAN:** Selalu gunakan pembersih dengan saringan yang terpasang, meskipun ketika menggunakan perangkat tambahan siklon. Menggunakan pembersih tanpa memasang saringan dapat mengakibatkan kegagalan fungsi motor.

**CATATAN:** Pastikan perangkat tambahan siklon, pembersih, dan pipa lurus telah terkunci dengan benar sebelum digunakan.

**CATATAN:** Kosongkan wadah debu pada perangkat tambahan siklon dan kapsul pada pembersih apabila tersumbat. Penggunaan yang terus menerus dapat mengakibatkan melemahnya daya pengisapan.



## Membuang debu

Ketika debu yang terkumpul melebihi garis batas pada wadah debu, ikuti prosedur di bawah ini dan buang debu.

1. Tahan wadah debu kuat-kuat, tekan dan tahan dua tombol, lalu lepaskan wadah debu.  
► **Gbr.42:** 1. Garis batas 2. Wadah debu 3. Tombol (dua lokasi) 4. Saringan jala
2. Buang debu di dalam wadah debu dan hilangkan debu atau serbuk yang menempel pada permukaan saringan jala.
3. Masukkan wadah debu sepenuhnya hingga dua tombol terkunci dan berbunyi klik.  
► **Gbr.43:** 1. Wadah debu 2. Tombol (dua lokasi)

**CATATAN:** Pastikan perangkat tambahan siklon, pembersih, dan pipa lurus telah tersambung dengan kuat sebelum memulai ulang pengoperasian.

**CATATAN:** Jika daya pengisapan tidak kembali normal meskipun Anda sudah membuang debu dan membersihkan saringan jala, periksa apakah ada debu yang terkumpul dalam kapsul pembersih atau terjadi penyumbatan.

## Pembersihan

Ketika wadah debu kotor atau saringan jala tersumbat, lepaskan dan cuci dengan air. (Baca "Membuang debu" untuk mengetahui prosedur pelepasan.)

Keringkan komponen seluruhnya sebelum memasang dan menggunakannya kembali.

- **Gbr.44:** 1. Wadah debu 2. Saringan jala

Ketika saringan jala sangat kotor, bersihkan dengan mengikuti prosedur berikut.

1. Putar saringan jala berlawanan arah jarum jam, lalu lepaskan saat kaitnya terbuka pengunciannya.  
► **Gbr.45:** 1. Saringan jala 2. Kait
2. Hilangkan debu pada saringan jala, lalu cuci dengan air. Setelah itu, keringkan seluruhnya.
3. Masukkan saringan jala ke dalamudukan saat kaitnya sejajar dengan port. Putar saringan jala searah jarum jam hingga kaitnya terkunci dan berbunyi klik. Pastikan mata saringan jala mesin terpasang dengan kencang.  
► **Gbr.46:** 1. Saringan jala 2. Kait 3. Port

## CẢNH BÁO

- Trẻ em trong độ tuổi từ 8 tuổi trở lên và người suy giảm thể chất, giác quan hoặc khả năng trí óc hoặc thiếu kinh nghiệm và kiến thức có thể sử dụng thiết bị này nếu họ được giám sát hoặc hướng dẫn sử dụng thiết bị an toàn và hiểu được những tác hại nguy hiểm khi sử dụng.
- Trẻ em không được nghịch thiết bị. Không nên để trẻ em thực hiện vệ sinh và bảo dưỡng mà không có sự giám sát.
- Xem chương "THÔNG SỐ KỸ THUẬT" để biết loại tham chiếu dành cho pin.
- Xem phần "Lắp hoặc tháo hộp pin" để biết cách tháo hoặc lắp pin.
- Khi vứt bỏ hộp pin, hãy tháo chúng khỏi dụng cụ và thải bỏ ở nơi an toàn. Phải tuân thủ theo các quy định của địa phương liên quan đến việc thải bỏ pin.
- Nếu dụng cụ không được sử dụng trong một thời gian dài, cần phải tháo pin ra khỏi dụng cụ.
- Không để hộp pin ở tình trạng đoản mạch.
- Xem chương "BẢO DƯỠNG" để biết các chi tiết thích hợp về các biện pháp phòng ngừa trong quá trình bảo dưỡng của người dùng.

## THÔNG SỐ KỸ THUẬT

Kiểu máy:	CL106FD
Dung lượng	600 mL
Tiếp tục sử dụng (với pin BL1016)	Khoảng 16 min
Chiều dài tổng thể	958 mm
Điện áp định mức	10,8 V một chiều - tối đa 12 V
Khối lượng tịnh	0,98 - 1,1 kg

- Do chương trình nghiên cứu và phát triển liên tục của chúng tôi nên các thông số kỹ thuật trong đây có thể thay đổi mà không cần thông báo trước.
- Các thông số kỹ thuật có thể thay đổi tùy theo từng quốc gia.
- Khối lượng không bao gồm các phụ kiện, ngoại trừ (các) hộp pin. Khối lượng kết hợp nhẹ nhất, nặng nhất của thiết bị và (các) hộp pin được thể hiện như trong bảng.

## Hộp pin và sạc pin có thể áp dụng

Hộp pin	BL1016 / BL1021B / BL1041B
Bộ sạc	DC10SA / DC10SB / DC10WC / DC10WD / DC18RE

- Một số hộp pin và sạc pin được nêu trong danh sách ở trên có thể không khả dụng tùy thuộc vào khu vực cư trú của bạn.

**⚠ CẢNH BÁO:** Chỉ sử dụng hộp pin và sạc pin được nêu trong danh sách ở trên. Việc sử dụng bất cứ hộp pin và sạc pin nào khác có thể gây ra thương tích và/hoặc hỏa hoạn.

## Ký hiệu

Phần dưới đây cho biết các ký hiệu có thể được dùng cho thiết bị. Đảm bảo rằng bạn hiểu rõ ý nghĩa của các ký hiệu này trước khi sử dụng.



Đọc tài liệu hướng dẫn.



Chỉ dành cho các quốc gia EU  
Do có các thành phần nguy hiểm bên trong thiết bị điện và điện tử, ắc quy và pin thải bỏ nên có thể có tác động không tốt đến môi trường và sức khỏe con người. Không vứt bỏ các thiết bị điện và điện tử hoặc pin với rác thải sinh hoạt!  
Theo Chỉ thị của Châu Âu về thiết bị điện và điện tử thải bỏ và về pin và ắc quy và pin và ắc quy thải bỏ, cũng như sự thích ứng của chúng với luật pháp quốc gia, các thiết bị điện, pin và ắc quy thải phải được cất giữ riêng biệt và chuyển đến một điểm thu gom rác thải đồ thị riêng, hoạt động theo các quy định về bảo vệ môi trường. Điều này được biểu thị bằng biểu tượng thùng rác có bánh xe gạch chéo được đặt trên thiết bị.

## Mục đích sử dụng

Dụng cụ này được dùng để gom bụi khô.

## CẢNH BÁO AN TOÀN

### Cảnh báo an toàn cho máy hút bụi chạy pin

**⚠ CẢNH BÁO: LƯU Ý ĐỌC KỸ** tất cả các cảnh báo an toàn và các hướng dẫn **TRƯỚC KHI SỬ DỤNG**. Việc không tuân theo các cảnh báo và hướng dẫn có thể dẫn đến điện giật, hỏa hoạn và/hoặc thương tích nghiêm trọng.

1. Không được tiếp xúc với mưa. Cất giữ trong nhà.
2. Không được phép sử dụng thiết bị như là đồ chơi. Cần chú ý kỹ khi sử dụng bởi hoặc gần trẻ em.
3. Chỉ sử dụng theo mô tả trong sách hướng dẫn này. Chỉ sử dụng các phụ tùng được khuyến nghị của nhà sản xuất.
4. Không sử dụng khi pin đã hỏng. Nếu thiết bị hoạt động không đúng cách, bị rơi, bị hư hỏng, để ngoài trời, hoặc bị rơi vào nước, hãy đưa về trung tâm bảo hành.
5. Không sử dụng thiết bị khi tay ướt.
6. Không đưa bất cứ vật gì vào trong miệng máy. Không sử dụng khi miệng máy bị kẹt; giữ máy khỏi bụi, xơ vải, tóc hay bất cứ thứ gì có thể làm giảm lưu lượng dòng khí.
7. Giữ cho tóc, quần áo rộng, ngón tay, và tất cả các bộ phận của cơ thể tránh xa phần miệng máy và các bộ phận chuyển động.
8. Tắt tất cả điều khiển trước khi tháo pin.
9. Sử dụng cẩn thận khi làm sạch trên các bậc thang.
10. Không sử dụng để hút chất lỏng để bắt lửa hoặc dễ cháy như xăng, hoặc sử dụng trong các khu vực có thể có chúng.
11. Chỉ sử dụng bộ sạc được cung cấp bởi nhà sản xuất để sạc.
12. Không hút bất cứ thứ gì đang cháy hoặc bốc khói, như thuốc lá, diêm, hoặc tro nóng.
13. Không sử dụng khi không có túi chứa bụi và/hoặc các bộ lọc đúng vị trí.
14. Không sạc pin ở ngoài trời.
15. Chỉ sạc pin lại với bộ sạc do nhà sản xuất quy định. Bộ sạc phù hợp với một loại bộ pin này có thể gây ra nguy cơ hỏa hoạn khi được dùng cho một bộ pin khác.
16. Chỉ sử dụng các dụng cụ máy với các bộ pin được quy định cụ thể. Việc sử dụng bất cứ bộ pin nào khác có thể gây ra thương tích và hỏa hoạn.
17. Khi không sử dụng (bộ) pin, hãy giữ tránh xa các đồ vật khác bằng kim loại, chẳng hạn như kẹp giấy, tiền xu, chìa khóa, đinh, ốc vít hoặc các vật nhỏ bằng kim loại mà có thể làm nối tất các đầu cực pin.

18. Trong điều kiện sử dụng quá mức, pin có thể bị cháy nước; hãy tránh tiếp xúc. Nếu vô tình tiếp xúc với pin bị cháy nước, hãy rửa sạch bằng nước.
19. Không sử dụng bộ pin hoặc dụng cụ bị hư hỏng hoặc đã bị sửa đổi. Pin đã bị hư hỏng hoặc đã bị sửa đổi có thể hành động theo cách không thể đoán trước dẫn đến cháy, nổ hoặc nguy cơ chấn thương.
20. Không để bộ pin hoặc dụng cụ tiếp xúc với lửa hoặc nhiệt độ quá cao. Tiếp xúc với lửa hoặc nhiệt độ trên 130 °C có thể gây ra cháy nổ.
21. Làm theo tất cả các hướng dẫn sạc pin và không được sạc bộ pin hoặc dụng cụ vượt giới hạn nhiệt độ quy định trong hướng dẫn. Sạc pin không đúng hoặc ở nhiệt độ vượt giới hạn nhiệt độ có thể gây hư hỏng cho pin và làm tăng nguy cơ cháy.

## LƯU GIỮ CÁC HƯỚNG DẪN NÀY.

### CÁC QUY ĐỊNH AN TOÀN BỔ SUNG

Thiết bị này chỉ dùng trong gia đình.

1. Đọc kỹ tài liệu hướng dẫn này và tài liệu hướng dẫn sạc pin trước khi sử dụng.
2. Không hút những vật chất sau:
  - Những vật nóng như mẫu thuốc lá, hoặc bụi tia lửa/kim loại sinh ra do nghiền/cắt kim loại
  - Những vật chất dễ cháy như xăng, dung môi, ét xăng, dầu hỏa hoặc sơn
  - Những vật chất dễ cháy nổ như nitro glycerin
  - Những vật chất dễ bắt lửa như nhôm, kẽm, magiê, titan, phốt pho hoặc nhựa
  - Đất ướt, nước, dầu hoặc những chất tương tự
  - Những mảnh cứng với cạnh sắc nhọn, như dăm gỗ, kim loại, đá, kính, móng tay, móng chân hoặc dao cạo
  - Bột đông cục lại như xi măng hoặc mực
  - Bụi dẫn điện như kim loại hoặc các-bon
  - Hạt mịn như bụi bê tôngNhững hành động như vậy có thể gây ra cháy, thương tích và/hoặc thiệt hại tài sản.
3. Ngừng vận hành ngay lập tức nếu bạn nhận thấy bất cứ điều gì bất thường.
4. Nếu bạn làm rơi hoặc va đập máy, hãy kiểm tra cẩn thận xem máy hút bụi có bị nứt hoặc bị hư hỏng hay không trước khi vận hành.
5. Không mang lại gần bếp lò hoặc các nguồn nhiệt khác.
6. Không chặn lỗ ra vào và các lỗ thông hơi.

## LƯU GIỮ CÁC HƯỚNG DẪN NÀY.

## Hướng dẫn quan trọng về an toàn dành cho hộp pin

1. Trước khi sử dụng hộp pin, hãy đọc kỹ tất cả các hướng dẫn và dấu hiệu cảnh báo trên (1) bộ sạc pin, (2) pin và (3) sản phẩm sử dụng dụng cụ.
2. Không tháo rời hoặc làm thay đổi hộp pin. Việc này có thể dẫn đến hỏa hoạn, quá nhiệt hoặc nổ.
3. Nếu thời gian vận hành ngắn hơn quá mức, hãy ngừng vận hành ngay lập tức. Điều này có thể dẫn đến rủi ro quá nhiệt, có thể gây bỏng và thậm chí là nổ.
4. Nếu chất điện phân rơi vào mắt, hãy rửa sạch bằng nước sạch và đến cơ sở y tế ngay lập tức. Chất này có thể khiến bạn giảm thị lực.
5. Không để hộp pin ở tình trạng đoản mạch:
  - (1) Không chạm vào cực pin bằng vật liệu dẫn điện.
  - (2) Tránh cất giữ hộp pin trong hộp có các vật kim loại khác như đinh, tiền xu, v.v...
  - (3) Không được để hộp pin tiếp xúc với nước hoặc mưa.Đoản mạch pin có thể gây ra dòng điện lớn, quá nhiệt, có thể gây bỏng và thậm chí là hỏng hóc.
6. Không cất giữ cũng như sử dụng dụng cụ và hộp pin ở nơi nhiệt độ có thể lên tới hoặc vượt quá 50 °C (122 °F).
7. Không đốt hộp pin ngay cả khi hộp pin đã bị hư hại nặng hoặc hư hỏng hoàn toàn. Hộp pin có thể nổ khi tiếp xúc với lửa.
8. Không đóng đinh, cắt, nghiền nát, ném, làm rơi hộp pin hoặc va vật cứng vào hộp pin. Làm như thế có thể dẫn đến hỏa hoạn, quá nhiệt hoặc nổ.
9. Không sử dụng pin đã hỏng.
10. Pin nén lithium-ion là đối tượng có yêu cầu bắt buộc theo Luật Hàng hoá Nguy hiểm. Đối với vận tải thương mại, ví dụ như vận tải do bên thứ ba, đại lý giao nhận, thì yêu cầu đặc biệt về đóng gói và nhãn ghi phải được giám sát. Để chuẩn bị cho mặt hàng cần vận chuyển, cần phải tham khảo ý kiến chuyên gia về vật liệu nguy hiểm. Nếu được, vui lòng tuân thủ các quy định quốc gia chi tiết hơn. Buộc hoặc niêm phong các tiếp điểm mở và đóng gói pin theo cách đó để nó không thể di chuyển trong bao bì.
11. Khi vứt bỏ hộp pin, hãy tháo chúng khỏi dụng cụ và thải bỏ ở nơi an toàn. Phải tuân thủ theo các quy định của địa phương liên quan đến việc thải bỏ pin.
12. Chỉ sử dụng pin cho các sản phẩm Makita chỉ định. Lắp pin vào sản phẩm không thích hợp có thể gây ra hỏa hoạn, quá nhiệt, nổ, hoặc rò chất điện phân.
13. Nếu dụng cụ không được sử dụng trong một thời gian dài, cần phải tháo pin ra khỏi dụng cụ.
14. Trong và sau khi sử dụng, hộp pin có thể bị nóng, có thể gây bỏng hoặc bỏng ở nhiệt độ thấp. Chú ý xử lý hộp pin nóng.

15. Không chạm vào điện cực của dụng cụ ngay sau khi sử dụng vì điện cực đủ nóng để gây bỏng.
16. Không để vận bào, bụi hoặc đất bám vào các điện cực, lỗ và rãnh của hộp pin. Việc này có thể dẫn đến hiệu suất kém hoặc hỏng hóc dụng cụ hay hộp pin.
17. Trừ khi dụng cụ hỗ trợ sử dụng gần đường dây điện cao thế, không sử dụng hộp pin gần đường dây điện cao thế. Việc này có thể dẫn đến trực tiếp hoặc hỏng hóc dụng cụ hay hộp pin.
18. Giữ pin tránh xa trẻ em.

## LƯU GIỮ CÁC HƯỚNG DẪN NÀY.

**⚠ THẬN TRỌNG:** Chỉ sử dụng pin Makita chính hãng. Việc sử dụng pin không chính hãng Makita, hoặc pin đã được sửa đổi, có thể dẫn đến nổ pin gây ra cháy, thương tích và thiệt hại cá nhân. Nó cũng sẽ làm mất hiệu lực bảo hành của Makita dành cho dụng cụ của Makita và bộ sạc.

## Mẹo duy trì tuổi thọ tối đa cho pin

1. Sạc hộp pin trước khi pin bị xả điện hoàn toàn. Luôn dừng việc vận hành dụng cụ và sạc pin khi bạn nhận thấy công suất dụng cụ bị giảm.
2. Không được phép sạc lại một hộp pin đã được sạc đầy. Sạc quá mức sẽ làm giảm tuổi thọ của pin.
3. Sạc pin ở nhiệt độ phòng 10°C - 40°C. Để cho hộp pin nóng nguội lại dần trước khi sạc pin.
4. Khi không sử dụng hộp pin, hãy tháo hộp pin ra khỏi dụng cụ hoặc bộ sạc.

## MÔ TẢ CHỨC NĂNG

**⚠ THẬN TRỌNG:** Luôn đảm bảo rằng đã tắt dụng cụ và tháo hộp pin ra trước khi thực hiện việc điều chỉnh hoặc kiểm tra chức năng trên dụng cụ.

**⚠ THẬN TRỌNG:** Cẩn thận để không vướng (các) ngón tay vào giữa máy hút bụi và pin như minh họa trong biểu đồ khi nạp pin. Vướng (các) ngón tay vào có thể gây ra thương tích.

► Hình1

## Lắp hoặc tháo hộp pin

**⚠ THẬN TRỌNG:** Luôn tắt dụng cụ trước khi lắp hoặc tháo hộp pin.

**⚠ THẬN TRỌNG:** Giữ dụng cụ và hộp pin thật chắc khi lắp hoặc tháo hộp pin. Không giữ dụng cụ và hộp pin lỏng lẻo có thể làm trượt chúng khỏi tay và làm hư hỏng dụng cụ và hộp pin hoặc gây thương tích cá nhân.

► Hình2: 1. Chỉ báo màu đỏ 2. Nút 3. Hộp pin

Để tháo hộp pin, vừa trượt pin ra khỏi dụng cụ vừa đẩy trượt nút ở phía trước hộp pin.

Để lắp hộp pin, đặt thẳng hàng phần chốt nhỏ ra của hộp pin vào phần rãnh nằm trên vỏ và trượt hộp pin vào vị trí. Đưa hộp pin vào hết mức cho đến khi chốt khóa vào đúng vị trí với một tiếng cách nhẹ. Nếu bạn có thể nhìn thấy chỉ báo màu đỏ như thể hiện trong hình, điều đó có nghĩa vẫn chưa được khóa hoàn toàn.

**⚠ THẬN TRỌNG:** Luôn lắp hộp pin khớp hoàn toàn vào vị trí cho đến khi không thể nhìn thấy chỉ báo màu đỏ. Nếu không, hộp pin có thể vô tình rơi ra khỏi dụng cụ, gây thương tích cho bạn hoặc người khác xung quanh.

**⚠ THẬN TRỌNG:** Không được dùng sức lắp hộp pin. Nếu hộp pin không nhẹ nhàng trượt vào vị trí, có nghĩa là pin vẫn chưa được lắp đúng.

## Hệ thống bảo vệ pin

Dụng cụ này được trang bị hệ thống bảo vệ pin. Hệ thống này sẽ tự động ngắt nguồn điện đến động cơ để kéo dài tuổi thọ pin.

Dụng cụ sẽ tự động dừng vận hành khi dụng cụ và/hoặc pin ở trong tình huống sau đây:

### Điện thế pin thấp:









Dung lượng pin còn lại quá thấp và dụng cụ sẽ không hoạt động. Nếu bạn bật dụng cụ, động cơ tiếp tục chạy lại nhưng sẽ sớm ngừng. Trong tình huống này, hãy tháo và sạc pin lại.

## Chỉ báo dung lượng pin còn lại

### Chỉ dành cho hộp pin có đèn chỉ báo

► **Hình3:** 1. Các đèn chỉ báo 2. Nút Check (kiểm tra)

Ấn nút check (kiểm tra) trên hộp pin để chỉ báo dung lượng pin còn lại. Các đèn chỉ báo bật sáng lên trong vài giây.

Các đèn chỉ báo		Dung lượng còn lại
Bật sáng	Tắt	
		75% đến 100%
		50% đến 75%
		25% đến 50%
		0% đến 25%

**LƯU Ý:** Tùy thuộc vào các điều kiện sử dụng và nhiệt độ xung quanh, việc chỉ báo có thể khác biệt một chút so với dung lượng thực sự.

## Hoạt động công tắc

**⚠ THẬN TRỌNG:** Trước khi lắp hộp pin vào dụng cụ, luôn luôn kiểm tra xem cần khởi động công tắc có hoạt động bình thường hay không và trả về vị trí “OFF” (TẮT) khi nhả ra.

Để khởi động dụng cụ, chỉ cần kéo cần khởi động công tắc. Nhả cần khởi động công tắc ra để dừng.

► **Hình4:** 1. Cần khởi động công tắc

## Bật sáng đèn

**⚠ THẬN TRỌNG:** Đừng nhìn thẳng trực tiếp vào đèn hoặc nguồn sáng.

Để bật đèn, hãy kéo cần khởi động công tắc. Khi dụng cụ đang khởi hoạt, đèn sẽ bật.

Nhả công tắc để tắt đèn.

► **Hình5:** 1. Đèn 2. Cần khởi động công tắc

## LẮP RÁP

**⚠ THẬN TRỌNG:** Luôn đảm bảo rằng đã tắt dụng cụ và tháo hộp pin ra trước khi thực hiện bất cứ thao tác nào trên dụng cụ.

## Loại bộ lọc

### Bộ lọc thông thường

► **Hình6:** 1. Khoang chứa 2. Bộ lọc trước 3. Bộ lọc

### Bộ lọc hiệu suất cao

► **Hình7:** 1. Khoang chứa 2. Bộ lọc hiệu suất cao

## Thải bụi

**⚠ THẬN TRỌNG:** Làm sạch máy hút bụi trước khi máy trở nên quá đầy, hoặc lực đầu hút yếu.

**⚠ THẬN TRỌNG:** Đảm bảo đã làm sạch bụi bên trong máy hút bụi. Không làm như vậy có thể khiến cho bộ lọc bị kẹt hoặc động cơ bị hư hỏng.

## Loại bỏ bụi cho bộ lọc thông thường

Để lấy bụi bám trên bộ lọc trong khoang chứa, dùng tay vỗ nhẹ khoang chứa 4 hoặc 5 lần.

► **Hình8:** 1. Khoang chứa 2. Ngõ vào đầu hút

Để ngõ vào đầu hút hướng xuống, xoay khoang chứa theo hướng mũi tên như minh họa, và tháo khoang chứa chậm chậm và thẳng.

► **Hình9:** 1. Khoang chứa 2. Ngõ vào đầu hút

**LƯU Ý:** Đảm bảo để túi rác bên dưới khoang chứa, vì bụi có thể tràn ra khi khoang chứa mở.

Loại bỏ bụi tích lũy bên trong khoang chứa và tắt bộ lọc trước.

► **Hình10:** 1. Bộ lọc trước 2. Khoang chứa

Vận bộ lọc trước theo hướng mũi tên để mở mép cố định từ thiết bị máy hút bụi rồi sau đó kéo bộ lọc trước ra.

► **Hình11:** 1. Bộ lọc trước 2. Mép cố định

Làm sạch bụi mịn từ bộ lọc trước. Và sau đó, kéo bộ lọc và vỏ nhẹ để loại bỏ bụi.

► **Hình12:** 1. Bộ lọc 2. Bộ lọc trước

## Loại bỏ bụi cho bộ lọc hiệu suất cao

Để giữ sạch bụi bám trên bộ lọc trong khoang chứa, dùng tay vỗ nhẹ khoang chứa 4 hoặc 5 lần. Sau đó hướng ngó vào đầu hút xuống dưới, xoay khoang chứa theo hướng mũi tên trong hình, và tháo khoang chứa một cách từ từ và kéo thẳng ra.

► **Hình13:** 1. Khoang chứa 2. Ngó vào đầu hút

**LƯU Ý:** Bụi có thể tràn ra khi khoang chứa mở, nên hãy đảm bảo để sẵn một túi rác bên dưới khoang chứa.

Loại bỏ bụi tích lũy bên trong khoang chứa và tắt bộ lọc hiệu suất cao.

► **Hình14:** 1. Khoang chứa 2. Bộ lọc hiệu suất cao

Vận bộ lọc hiệu suất cao theo hướng mũi tên để mở mép cố định từ thiết bị máy hút bụi rồi sau đó kéo bộ lọc ra.

► **Hình15:** 1. Mép cố định

Làm sạch bụi mịn và vỗ nhẹ nhàng để giữ bụi ra khỏi bộ lọc hiệu suất cao.

## Lắp ráp lại

### Lắp lại bộ lọc thông thường

Đặt hết bộ lọc hoàn vào vị trí của thiết bị máy hút bụi.

► **Hình16:** 1. Bộ lọc

**CHÚ Ý:** Đảm bảo bộ lọc được đặt thẳng vào mà không bị bong ra. Nếu bộ lọc không được đặt đúng cách như minh họa, bụi sẽ vào trong khung động cơ, và làm động cơ không hoạt động.

► **Hình17:** 1. Bộ lọc

Lắp đặt bộ lọc trước. Lúc này, đảm bảo vận bộ lọc trước để mép cố định được gắn chặt vào thiết bị máy hút bụi.

► **Hình18:** 1. Bộ lọc trước 2. Mép cố định

► **Hình19**

Lắp khoang chứa. Căn chỉnh vạch chuẩn trên khoang chứa thẳng hàng với vạch chuẩn gắn tay cầm và sau đó vận chặt khoang chứa theo hướng mũi tên đến khi nó được cố định.

► **Hình20:** 1. Khoang chứa 2. Tay cầm 3. Vạch chuẩn

**LƯU Ý:** Luôn loại bỏ bụi theo thời gian, do lực đầu hút sẽ bị giảm nếu có quá nhiều bụi trong máy hút bụi.

**CHÚ Ý:** Luôn đảm bảo cả bộ lọc và bộ lọc trước đã được nạp đúng cách trước khi sử dụng máy hút bụi. Nếu chúng không được nạp đúng cách, bụi sẽ vào trong khung động cơ, và làm động cơ không hoạt động. Nếu những ví dụ sau xảy ra, bộ lọc và bộ lọc trước đã không được nạp đúng cách. Nạp lại chúng cho đúng cách để khắc phục sự cố.

### Các ví dụ về sự cố

Ví dụ 1: Chỉ có bộ lọc trước được nạp (không có bộ lọc)

► **Hình21:** 1. Bộ lọc trước

Ví dụ 2: Chỉ có bộ lọc được nạp (không có bộ lọc trước)

► **Hình22:** 1. Bộ lọc

Ví dụ 3: Bộ lọc được nạp trong trạng thái bị bong ra

► **Hình23:** 1. Bộ lọc

Ví dụ 4: Mép cố định trên bộ lọc trước không được gắn chặt vào rãnh của khung máy hút bụi

► **Hình24:** 1. Mép cố định 2. Bộ lọc trước 3. Rãnh của khung máy hút bụi

### Lắp lại bộ lọc hiệu suất cao

Nối bộ lọc hiệu suất cao vào. Lúc này, đảm bảo vận bộ lọc hiệu suất cao sao cho mép cố định được gắn chặt vào thiết bị máy hút bụi.

► **Hình25:** 1. Bộ lọc hiệu suất cao 2. Mép cố định

► **Hình26:** 1. Mép cố định

Nối khoang chứa vào. Căn chỉnh cho biểu tượng O trên khoang chứa và biểu tượng O trên tay cầm thẳng hàng với nhau và vận chắc khoang chứa theo hướng mũi tên cho đến khi nó được vận chặt.

► **Hình27:** 1. Dấu O

► **Hình28:** 1. Tay cầm 2. Khoang chứa

**LƯU Ý:** Luôn loại bỏ bụi trước thời hạn, vì lực đầu hút sẽ bị giảm nếu có quá nhiều bụi trong máy hút bụi.

**LƯU Ý:** Luôn đảm bảo kiểm tra cả bộ lọc hiệu suất cao được ráp đúng cách trước khi sử dụng máy hút bụi. Nếu bạn không lắp đúng cách, bụi sẽ vào trong khung động cơ, và làm cho động cơ gặp trục trặc. Nếu ví dụ dưới đây xảy ra, tức là bộ lọc hiệu suất cao đã không được lắp đúng cách. Nạp lại chúng cho đúng cách để khắc phục sự cố.

### Các ví dụ về sự cố

Mép cố định của bộ lọc hiệu suất cao không được gắn chặt vào rãnh của khung máy hút bụi.

► **Hình29:** 1. Mép cố định 2. Rãnh của khung máy hút bụi

## VẬN HÀNH

**⚠ THẬN TRỌNG:** Để gắn phụ tùng, như vòi hút, vận và lắp phụ tùng theo hướng mũi tên để cố định kết nối trong khi sử dụng. Để tháo phụ tùng, vận và rút nó ra cũng theo hướng mũi tên. Nếu một phụ tùng bị vận ngược hướng khi gắn hoặc khi tháo, khoảng chứa có thể trở nên lỏng lẻo.

► **Hình30:** 1. Khoang chứa

## Vệ sinh (Đầu hút)

### Vòi xả

Gắn vòi hút để làm sạch bàn, bàn làm việc, đồ nội thất, v.v...Vòi hút trượt rất dễ dàng.

► **Hình31:** 1. Vòi xả

### Vòi hút + Ống nối nối dài (Ống thẳng)

Ống nối dài khí với vòi hút và máy hút bụi. Việc bố trí này giúp dễ dàng làm sạch sàn nhà ở vị trí đứng.

► **Hình32:** 1. Thân máy hút bụi 2. Ống nối nối dài 3. Vòi xả

### Vòi hút góc

Gắn vòi hút góc để làm sạch góc và kẽ hở của xe hơi hoặc đồ nội thất.

► **Hình33:** 1. Vòi hút góc 2. Thân máy hút bụi

### Vòi hút góc + Ống nối nối dài (Ống thẳng)

Ở các góc vuông hẹp nơi mà máy hút bụi không thể đi vào, hoặc ở nơi cao khó với tới, hãy sử dụng bố trí này.

► **Hình34:** 1. Vòi hút góc 2. Ống nối nối dài 3. Thân máy hút bụi

## Vệ sinh mà không có vòi hút

Bạn có thể hút bột và bụi mà không cần vòi hút.

► **Hình35**

## BẢO TRÌ

**⚠ THẬN TRỌNG:** Hãy luôn chắc chắn rằng dụng cụ đã được tắt và hộp pin đã được tháo ra trước khi cố gắng thực hiện việc kiểm tra hay bảo dưỡng.

## Sau khi sử dụng

**CHÚ Ý:** Đặt máy hút bụi dựa vào tường khi không có đế tựa sẽ làm máy hút bụi bị ngã và bị hư.

► **Hình36**

## Vệ sinh

**CHÚ Ý:** Không được phép dùng xăng, ét xăng, dung môi, cồn hoặc hóa chất tương tự. Có thể xảy ra hiện tượng mất màu, biến dạng hoặc nứt vỡ.

**CHÚ Ý:** Không dùng máy hút bụi để thổi bụi bám trên máy hút bụi và bộ lọc. Việc này sẽ đưa bụi vào trong vỏ máy và gây ra sự cố.

**CHÚ Ý:** Sau khi rửa các bộ lọc, để chúng thật khô trước khi sử dụng. Bộ lọc chưa khô có thể làm giảm lực hút và rút ngắn tuổi thọ của động cơ.

**CHÚ Ý:** Sau khi làm sạch bộ lọc và bộ lọc bọt biển, đảm bảo đã lắp đặt lại chúng trước khi sử dụng. Nếu bạn sử dụng máy hút bụi mà không có bộ lọc và bộ lọc bọt biển, bụi đi vào vỏ động cơ và gây ra sự cố.

## Thân máy hút bụi

Thỉnh thoảng lau sạch bên ngoài (thân máy hút bụi) bằng vải đã làm ẩm bằng nước xà phòng.

Vệ sinh cả miệng đầu hút và khu vực gắn bộ lọc.

► **Hình37**

## Bộ lọc

Rửa bộ lọc bằng nước xà phòng khi bị tắc nghẽn do bụi và lực máy hút bụi trở nên yếu đi. Làm khô hoàn toàn trước khi sử dụng.

► **Hình38**

## Bộ lọc bọt biển

Khi bộ lọc bọt biển bị bẩn, hãy làm sạch nó như sau.

1. Tháo bộ lọc.
2. Kéo bộ lọc bọt biển ra từ giữa các trụ.
3. Làm sạch bộ lọc bọt biển bằng cách đập nhẹ hoặc rửa. Nếu bạn rửa, hãy làm khô hoàn toàn trước khi sử dụng.

4. Lắp bộ lọc bọt biển từ giữa các trụ và đặt vào vị trí ban đầu. Đảm bảo rằng mỗi cạnh đáy của trụ giữ chặt bộ lọc bọt biển, và không có khoảng cách giữa bộ lọc bọt biển và miệng đầu hút.

► **Hình39:** 1. Bộ lọc bọt biển 2. Cạnh đáy của trụ

## Làm sạch vòi

Khi bàn chải vòi bị bẩn, hãy làm sạch bụi bẩn bằng băng dính.

► **Hình40:** 1. Bàn chải

## Xử lý sự cố

Trước khi yêu cầu sửa chữa, kiểm tra những điểm sau.

Hiện tượng	Khu vực cần kiểm tra	Phương pháp sửa
Lực hút yếu	Có phải khoang chứa đầy bụi không?	Làm sạch bụi khoang chứa.
	Có phải bộ lọc bị tắc không?	Làm sạch và rửa bộ lọc.
	Có phải hộp pin đã được tháo không?	Sạc pin cho hộp pin.
Không hoạt động	Có phải hộp pin đã được tháo không?	Sạc pin cho hộp pin.

**⚠ THẬN TRỌNG:** Không được tự ý sửa chữa máy hút bụi.

Để đảm bảo ĐỘ AN TOÀN và ĐỘ TIN CẬY của sản phẩm, việc sửa chữa hoặc bất cứ thao tác bảo trì, điều chỉnh nào đều phải được thực hiện bởi các Trung tâm Dịch vụ Nhà máy hoặc Trung tâm được Makita Ủy quyền và luôn sử dụng các phụ tùng thiết bị thay thế của Makita.

## PHỤ KIỆN TỰ CHỌN

**⚠ THẬN TRỌNG:** Các phụ kiện hoặc phụ tùng gắn thêm này được khuyến cáo sử dụng với dụng cụ Makita của bạn theo như quy định trong hướng dẫn này. Việc sử dụng bất cứ phụ kiện hoặc phụ tùng gắn thêm nào khác đều có thể gây ra rủi ro thương tích cho người. Chỉ sử dụng phụ kiện hoặc phụ tùng gắn thêm cho mục đích đã quy định sẵn của chúng.

Nếu bạn cần bất kỳ sự hỗ trợ nào để biết thêm chi tiết về các phụ tùng này, hãy hỏi Trung tâm Dịch vụ của Makita tại địa phương của bạn.

- Ống nối nối dài (Ống thẳng)
- Vòi xả
- Vòi hút dành cho thảm
- Bàn chải dẹt
- Vòi hút góc
- Bàn chải tròn
- Ống mềm
- Bộ lọc
- Bộ lọc trước
- Bộ lọc hiệu suất cao
- Phụ kiện ly tâm máy hút bụi
- Pin và bộ sạc chính hãng của Makita

**LƯU Ý:** Một số mục trong danh sách có thể được bao gồm trong gói dụng cụ làm phụ kiện tiêu chuẩn. Các mục này ở mỗi quốc gia có thể khác nhau.

## Phụ kiện ly tâm máy hút bụi

- **Hình41:** 1. Ống thẳng 2. Phụ kiện ly tâm máy hút bụi 3. Ngõ vào đầu hút

### Về phụ kiện ly tâm máy hút bụi

Sử dụng máy hút bụi có lắp phụ kiện ly tâm máy hút bụi sẽ làm giảm lượng bụi đi vào khoang chứa, giúp ngăn lực hút bị yếu đi. Ngoài ra, việc vệ sinh sau khi sử dụng cũng đơn giản.

**⚠ THẬN TRỌNG:** Luôn đảm bảo rằng đã tắt dụng cụ và tháo hộp pin ra trước khi thực hiện bất cứ thao tác nào trên dụng cụ. Nếu vẫn lắp hộp pin, máy hút bụi có thể khởi động bất ngờ và gây thương tích.

**⚠ THẬN TRỌNG:** Vệ sinh bộ lọc dạng lưới của phụ kiện ly tâm máy hút bụi và bộ lọc của thiết bị máy hút bụi khi các bộ phận này bị tắc. Sử dụng liên tục trong điều kiện bị tắc có thể dẫn đến nóng lên hoặc bốc khói.

**CHÚ Ý:** Khi gắn kèm phụ kiện ly tâm máy hút bụi, không sử dụng máy hút bụi trong điều kiện nằm ngang hoặc hướng lên trên. Làm như vậy có thể khiến bộ lọc dạng lưới bị tắc.

**CHÚ Ý:** Luôn sử dụng máy hút bụi có lắp bộ lọc, ngay cả khi sử dụng phụ kiện ly tâm máy hút bụi. Sử dụng máy hút bụi không lắp bộ lọc có thể gây trực tiếp động cơ.

**LƯU Ý:** Kiểm tra để đảm bảo phụ kiện ly tâm máy hút bụi, máy hút bụi và ống thẳng được khóa đúng cách trước khi sử dụng.

**LƯU Ý:** Đổ hết bụi trong hộp chứa bụi của phụ kiện ly tâm máy hút bụi và khoang chứa của máy hút bụi khi bụi đã tích tụ. Sử dụng liên tục sẽ khiến lực hút bị yếu đi.



## Thải bụi

Khi bụi đã tích tụ đến vạch đầy của hộp chứa bụi, hãy làm theo quy trình bên dưới và thải bỏ bụi.

1. Giữ chắc hộp chứa bụi, nhấn giữ hai nút này và tháo hộp chứa bụi ra.  
► **Hình42:** 1. Vạch đầy 2. Hộp chứa bụi 3. Nút (hai vị trí) 4. Bộ lọc dạng lưới
2. Thải bỏ bụi bên trong hộp chứa bụi đồng thời làm sạch bất kỳ bụi và bột nào dính vào bề mặt của bộ lọc dạng lưới.
3. Lắp hộp chứa bụi vào hết mức cho đến khi hai nút khóa với một tiếng cách.  
► **Hình43:** 1. Hộp chứa bụi 2. Nút (hai vị trí)

**LƯU Ý:** Kiểm tra để đảm bảo phụ kiện ly tâm máy hút bụi, máy hút bụi và ống thẳng đều được kết nối thật chặt trước khi khởi động lại thao tác.

**LƯU Ý:** Nếu lực hút không phục hồi cả sau khi thải bỏ bụi và vệ sinh bộ lọc dạng lưới, hãy kiểm tra xem bụi có tích tụ trong khoang chứa của máy hút bụi hoặc có xảy ra tắc nghẽn hay không.

## Vệ sinh

Khi hộp chứa bụi bị bẩn hoặc bộ lọc dạng lưới bị tắc, hãy tháo và rửa các bộ phận này bằng nước. (Tham khảo “Thải bụi” để biết về quy trình tháo ra.)

Làm khô các bộ phận kỹ lưỡng trước khi lắp đặt lại và sử dụng.

- **Hình44:** 1. Hộp chứa bụi 2. Bộ lọc dạng lưới

Khi bộ lọc dạng lưới bị bẩn nặng, hãy vệ sinh bộ lọc theo các quy trình sau đây.

1. Xoay bộ lọc dạng lưới ngược chiều kim đồng hồ và tháo ra khi các móc được mở khóa.  
► **Hình45:** 1. Bộ lọc dạng lưới 2. Móc
2. Làm sạch bụi trên bộ lọc dạng lưới rồi rửa sạch bằng nước. Sau đó, làm khô bộ lọc hoàn toàn.
3. Lắp bộ lọc dạng lưới vào để trong khi các móc được căn chỉnh với cổng. Xoay bộ lọc dạng lưới theo chiều kim đồng hồ cho đến khi các móc được khóa lại với một tiếng cách. Đảm bảo rằng bộ lọc dạng lưới được lắp chắc chắn.  
► **Hình46:** 1. Bộ lọc dạng lưới 2. Móc 3. Cổng

## คำเตือน

- เด็กอายุตั้งแต่ 8 ปีขึ้นไป หรือบุคคลที่มีลักษณะทุพพลภาพ มีปัญหาในเรื่องของสภาพจิต หรือขาดประสบการณ์และความรู้เกี่ยวกับการใช้งาน สามารถใช้งานเครื่องมือนี้ได้ หากได้รับคำแนะนำการใช้งานอย่างปลอดภัยและเข้าใจถึงอันตรายที่อาจเกิดขึ้น
- ไม่ควรให้เด็กเล่นกับเครื่องมือนี้ ไม่ควรให้เด็กทำความสะอาดและซ่อมบำรุงตามลำพังโดยไม่มีผู้ดูแล
- โปรดอ้างอิงบท “ข้อมูลจำเพาะ” สำหรับอ้างอิงประเภทแบตเตอรี่
- โปรดอ้างอิงส่วน “การติดตั้งหรือการถอดกลับแบตเตอรี่” สำหรับวิธีถอดหรือติดตั้งแบตเตอรี่
- เมื่อกำจัดกลับแบตเตอรี่ ให้ถอดกลับแบตเตอรี่ออกจากเครื่องมือและกำจัดในสถานที่ที่ปลอดภัย ปฏิบัติตามข้อบังคับเกี่ยวกับการกำจัดแบตเตอรี่ที่บังคับใช้ในท้องถิ่น
- หากไม่ใช้เครื่องมือเป็นระยะเวลานาน จะต้องถอดแบตเตอรี่ออกจากเครื่องมือ
- อย่าลืมห่วงจรถลับแบตเตอรี่
- โปรดอ้างอิงบท “การบำรุงรักษา” สำหรับรายละเอียดข้อควรระวังในระหว่างการซ่อมบำรุง

## ข้อมูลจำเพาะ

รุ่น:	CL106FD
ความจุ	600 mL
ใช้งานต่อเนื่อง (พร้อมแบตเตอรี่ BL1016)	ประมาณ 16 min
ความยาวโดยรวม	958 mm
แรงดันไฟฟ้าสูงสุด	D.C. 10.8 V - 12 V max
น้ำหนักสุทธิ	0.98 - 1.1 kg

- เนื่องจากการค้นคว้าวิจัยและพัฒนาอย่างต่อเนื่อง ข้อมูลจำเพาะในเอกสารฉบับนี้อาจเปลี่ยนแปลงได้โดยไม่ต้องแจ้งให้ทราบล่วงหน้า
- ข้อมูลจำเพาะอาจแตกต่างกันไปในแต่ละประเทศ
- น้ำหนักไม่รวมอุปกรณ์เสริมยกเว้นถลับแบตเตอรี่ น้ำหนักของเครื่องใช้และถลับแบตเตอรี่รวมกันที่น้อยที่สุดและมากที่สุดแสดงอยู่ในตาราง

## ถลับแบตเตอรี่และเครื่องชาร์จที่ใช้ได้

ถลับแบตเตอรี่	BL1016 / BL1021B / BL1041B
เครื่องชาร์จ	DC10SA / DC10SB / DC10WC / DC10WD / DC18RE

- ถลับแบตเตอรี่และเครื่องชาร์จบางรายการที่แสดงอยู่ด้านบนอาจไม่มีวางจำหน่ายขึ้นอยู่กับภูมิภาคที่คุณอาศัยอยู่

**คำเตือน:** ใช้ถลับแบตเตอรี่และเครื่องชาร์จที่ระบุไว้ข้างบนเท่านั้น การใช้ถลับแบตเตอรี่และเครื่องชาร์จประเภทอื่นอาจก่อให้เกิดความเสี่ยงที่จะได้รับบาดเจ็บและ/หรือเกิดไฟไหม้

## สัญลักษณ์

ต่อไปนี้เป็นสัญลักษณ์ที่อาจใช้สำหรับอุปกรณ์ โปรดศึกษาความหมายของสัญลักษณ์ให้เข้าใจก่อนการใช้งาน



อ่านคู่มือการใช้งาน



NI-MH  
Li-ion

สำหรับประเทศในสหภาพยุโรปเท่านั้น เนื่องจากในอุปกรณ์มีส่วนประกอบอันตราย ชยะจำพวกอุปกรณ์ไฟฟ้าและอิเล็กทรอนิกส์ แบตเตอรี่ และหม้อแบตเตอรี่จึงอาจส่งผลกระทบต่อสิ่งแวดล้อมและสุขภาพของมนุษย์ในเชิงลบ

อย่าทิ้งเครื่องใช้ไฟฟ้าและอิเล็กทรอนิกส์ หรือแบตเตอรี่ร่วมกับวัสดุเหลือทิ้งในครัวเรือน!

เพื่อให้เป็นไปตามกฎระเบียบของยุโรปว่าด้วยชยะจำพวกอุปกรณ์ไฟฟ้าและอิเล็กทรอนิกส์ และหม้อสะสมไฟฟ้าและแบตเตอรี่ และชยะจำพวกหม้อสะสมไฟฟ้าและแบตเตอรี่ รวมถึงการบังคับใช้ตามกฎหมายภายในประเทศ ควรมีการจัดเก็บชยะจำพวกอุปกรณ์ไฟฟ้า แบตเตอรี่ และหม้อสะสมไฟฟ้าแยกต่างหากและส่งไปยังจุดรับชยะต่างหากในเขตเทศบาลซึ่งมีการดำเนินการตามระเบียบว่าด้วยการดูแลสิ่งแวดล้อม

โดยระบุด้วยสัญลักษณ์เส้นคาดขวางรูปถังชยะแบบมีล้อไว้บนอุปกรณ์

## จุดประสงค์การใช้งาน

เครื่องมือนี้ใช้สำหรับทำความสะอาดฝุ่น ผง ที่แห่งเท่านั้น

## คำเตือนด้านความปลอดภัย

คำเตือนด้านความปลอดภัยของเครื่องดูดฝุ่นไร้สาย

**คำเตือน:** ข้อควรจำ โปรดอ่านคำเตือนด้านความปลอดภัยและคำแนะนำทั้งหมดอย่างละเอียดก่อนใช้งาน การไม่ปฏิบัติตามคำเตือนและคำแนะนำดังกล่าวอาจส่งผลกระทบต่อความปลอดภัย ไฟไหม้ และ/หรือได้รับบาดเจ็บร้ายแรง

1. ห้ามโดนฝน เก็บในที่ร่ม
2. ห้ามใช้เป็นของเล่น หากผู้ใช้งานเป็นเด็ก หรือนำไปใช้งานใกล้เด็กต้องได้รับการเอาใจใส่อย่างใกล้ชิด

3. ใช้เฉพาะตามที่ได้ระบุไว้ในคู่มือการใช้งานฉบับนี้เท่านั้น ใช้งานตามเอกสารแนบที่ได้รับการแนะนำโดยผู้ผลิตเท่านั้น
4. ห้ามใช้แบตเตอรี่ที่เสียหาย หากเครื่องใช้ทำงานได้ไม่ต่ออย่างที่ควรจะเป็น ทำให้วิ่ง เสียหาย ทิ้งไว้กลางแจ้ง หรือหล่นลงน้ำ ให้นำส่งศูนย์บริการ
5. ห้ามจับหรือสัมผัสเครื่องใช้ด้วยมือที่เปียก
6. ห้ามใส่วัตถุใดๆ ลงในช่อง ห้ามใช้งานขณะมีสิ่งอุดตันควรทำให้โล่งเพื่อที่จะได้ดูดฝุ่น ผง เส้นขน และอย่าให้มีสิ่งต่างๆ อื่นๆ อาจทำให้อัตราการไหลของอากาศลดลง
7. โปรดระวัง ให้เก็บเส้นผม ขน เสื้อผ้าที่หลวม นิ้วมือ ตลอดจนอวัยวะต่างๆ อยู่ห่างจากช่องและชิ้นส่วนที่มีการเคลื่อนที่
8. ปิดการควบคุมทั้งหมดก่อนที่จะถอดแบตเตอรี่
9. ใช้งานอย่างระมัดระวังให้มากขึ้นทำความสะอาดบันได
10. ห้ามใช้เครื่องใช้ในการหยิบหรือรับของเหลวที่สามารถก่อให้เกิดเปลวไฟหรือการเผาไหม้ได้ เช่น แก๊สโซลีน หรือ แม้มันในบริเวณอันอาจมีของเหลวดังกล่าวอยู่
11. ในการชาร์จไฟ ให้ใช้เครื่องชาร์จจากผู้ผลิตเท่านั้น
12. ห้ามใช้เครื่องใช้ในการหยิบหรือรับของที่กำลังเผาไหม้หรือมีควัน เช่น บุหรี่ ไม้ขีดไฟ หรือเก้าอี้ที่ร้อนอยู่
13. ห้ามใช้งานหากไม่ได้ใส่ถุงเก็บฝุ่น และ/หรือตัวกรองไว้
14. ห้ามชาร์จไฟนอกบ้าน หรือกลางแจ้ง
15. ชาร์จไฟใหม่ด้วยเครื่องชาร์จที่ระบุโดยผู้ผลิตเท่านั้น เครื่องชาร์จที่เหมาะสมสำหรับชุดแบตเตอรี่ประเภทหนึ่ง อาจเสี่ยงที่จะเกิดไฟไหม้หากนำไปใช้กับชุดแบตเตอรี่อีกประเภทหนึ่ง
16. ใช้เครื่องมือไฟฟ้ากับชุดแบตเตอรี่ที่กำหนดมาโดยเฉพาะเท่านั้น การใช้ชุดแบตเตอรี่ประเภทอื่นอาจทำให้เสี่ยงที่จะได้รับบาดเจ็บและเกิดไฟไหม้
17. เมื่อไม่ใช้งานชุดแบตเตอรี่ ให้เก็บห่างจากวัตถุที่เป็นโลหะอื่นๆ เช่น คลิปหนีบกระดาษ เหรียญ กุญแจ กรรไกรตัดเล็บ สกรู หรือวัตถุที่เป็นโลหะขนาดเล็กอื่นๆ ที่สามารถเชื่อมต่อกับขั้วหนึ่งกับอีกขั้วหนึ่งได้
18. ในกรณีที่ใช้งานไม่ถูกต้อง อาจมีของเหลวไหลออกจากแบตเตอรี่ ให้หลีกเลี่ยงการสัมผัส หากสัมผัสโดนของเหลวโดยบังเอิญ ให้ล้างออกด้วยน้ำ
19. ห้ามใช้ชุดแบตเตอรี่หรือเครื่องมือที่ชาร์จหรือมีการแก้ไข แบตเตอรี่ที่เสียหายหรือมีการแก้ไขอาจทำให้เกิดสิ่งที่คาดไม่ถึงได้ เช่น ไฟไหม้ระเบิด หรือเสี่ยงต่อการบาดเจ็บ

20. ห้ามให้ชุดแบตเตอรี่อยู่ใกล้ไฟ หรือบริเวณที่มีอุณหภูมิสูงเกิน หากโดนไฟ หรืออุณหภูมิสูงเกิน 130 °C อาจก่อให้เกิดการระเบิดได้
21. กรุณาปฏิบัติตามคำแนะนำสำหรับการชาร์จไฟ และห้ามชาร์จแบตเตอรี่หรือเครื่องมือในบริเวณที่มีอุณหภูมินอกเหนือไปจากที่ระบุในคำแนะนำ การชาร์จไฟที่ไม่เหมาะสม หรืออุณหภูมินอกเหนือไปจากช่วงอุณหภูมิที่ระบุในคำแนะนำอาจทำให้แบตเตอรี่เสียหายและเป็นการเพิ่มความเสี่ยงในการเกิดไฟไหม้

## ปฏิบัติตามคำแนะนำเหล่านี้

### กฎด้านความปลอดภัยเพิ่มเติม

เครื่องใช้เหล่านี้สำหรับใช้ในครัวเรือนเท่านั้น

1. ก่อนการใช้งานกรุณาอ่านคู่มือการใช้งานและคู่มือการใช้งานเครื่องชาร์จไฟอย่างละเอียด
2. ห้ามใช้หีบ หรือรับสิ่งของดังต่อไปนี้:
  - วัตถุร้อน เช่น บุหรี่ที่มีไฟติดอยู่ หรือประกายไฟ/ละอองโลหะที่เกิดจากการขัด/การตัดโลหะ
  - วัตถุไวไฟ เช่น แก๊สโซลีน ทินเนอร์ น้ำมันเบนซิน คีโรซีน หรือ สี
  - วัตถุระเบิด เช่น ไนโตรกลีเซอรีน
  - วัตถุที่สามารถติดไฟได้ เช่น อะลูมิเนียม สังกะสีแมกนีเซียม โทเทเนียม ฟอสฟอรัส หรือ เซลลูโลส
  - สิ่งสกปรกและเปือก น้ำ น้ำมัน และอื่น ๆ ในลักษณะเดียวกันนี้
  - ของแข็งที่มีสันคม เช่น เศษไม้ โลหะ หิน เศษแก้ว ตะปู เข็มหรือใบมีดโกน
  - ฟงที่สามารถจับตัวเป็นก้อนได้ เช่น ซีเมนต์ หรือผงหมึก
  - ฟงฝุ่นที่สามารถนำไฟฟ้าได้ เช่น โลหะ หรือคาร์บอน
  - ฝุ่นละเอียด เช่น ฝุ่นคอนกรีต
 หากทำเช่นนั้น อาจก่อให้เกิดไฟไหม้ การบาดเจ็บ และ/หรือความเสียหายต่อทรัพย์สิน
3. หยุดทำงานทันทีหากคุณพบว่ามีสิ่งผิดปกติ
4. หากเครื่องดูดฝุ่นนี้ตกหล่นหรือมีการกระทบกระแทก กรุณาตรวจสอบว่ามีการแตกเสียหายอย่างละเอียดก่อนการใช้งาน
5. ห้ามนำไปใกล้เตาไฟ หรือแหล่งความร้อน
6. ห้ามอุดช่องทางเข้า หรือช่องลม

## ปฏิบัติตามคำแนะนำเหล่านี้

### คำแนะนำเพื่อความปลอดภัยที่สำคัญสำหรับดัลลิบแบตเตอรี่

1. ก่อนใช้งานดัลลิบแบตเตอรี่ ให้อ่านคำแนะนำและเครื่องหมายเตือนทั้งหมดบน (1) เครื่องชาร์จแบตเตอรี่ (2) แบตเตอรี่ และ (3) ตัวผลิตภัณฑ์ที่ใช้แบตเตอรี่
2. อย่าถอดแยกชิ้นส่วนหรือทำการดัดแปลงดัลลิบแบตเตอรี่ เนื่องจากอาจทำให้เกิดไฟไหม้ ความร้อนที่สูงเกินไป หรือระเบิดได้
3. หากระยะเวลาที่เครื่องทำงานสั้นเกินไป ให้หยุดใช้งานทันที เนื่องจากอาจมีความเสี่ยงที่จะร้อนจัด ไหม้หรือระเบิดได้
4. หากสารละลายอิเล็กโทรไลต์กระเด็นเข้าตา ให้ล้างออกด้วยน้ำเปล่าและรีบไปพบแพทย์ทันที เนื่องจากอาจทำให้ตาบอด
5. ห้ามลัดวงจรดัลลิบแบตเตอรี่:
  - (1) ห้ามแตะขั้วกับวัตถุที่เป็นสื่อนำไฟฟ้าใดๆ
  - (2) หลีกเลี่ยงการเก็บดัลลิบแบตเตอรี่ไว้ในภาชนะร่วมกับวัตถุที่เป็นโลหะ เช่น กรรไกรตัดเล็บ เหยือก ฯลฯ
  - (3) อย่าให้ดัลลิบแบตเตอรี่ถูกน้ำหรือฝ่น แบตเตอรี่ลัดวงจรอาจทำให้เกิดการไหลของกระแสไฟฟ้า ร้อนจัด ไหม้หรือเสียหายได้
6. ห้ามเก็บและใช้เครื่องมือและดัลลิบแบตเตอรี่ไว้ในสถานที่ที่มีอุณหภูมิสูงถึงหรือเกิน 50 °C (122 °F)
7. ห้ามเผาตลับแบตเตอรี่ทิ้ง แม้ว่าแบตเตอรี่จะเสียหายจนใช้การไม่ได้หรือเสื่อมสภาพแล้ว ดัลลิบแบตเตอรี่อาจจะระเบิดในกองไฟ
8. อย่าถอดตะปู ตัด บด ขว้าง หรือทำดัลลิบแบตเตอรี่หล่นพื้น หรือกระแทกดัลลิบแบตเตอรี่กับวัตถุของแข็ง การกระทำดังกล่าวอาจส่งผลให้เกิดไฟไหม้ ความร้อนที่สูงเกินไป หรือระเบิดได้
9. ห้ามใช้แบตเตอรี่ที่เสียหาย
10. แบตเตอรี่เทียมไอออนที่มีมาให้นั้นเป็นไปตามข้อกำหนดของ Dangerous Goods Legislation สำหรับการขนส่งเพื่อการพาณิชย์ เช่น โดยบุคคลที่สาม ตัวแทนขนส่งสินค้า จะต้องตรวจสอบข้อกำหนดพิเศษในด้านการบรรจุหีบห่อหรือการติดป้ายสินค้าในการเตรียมสินค้าที่จะขนส่ง ให้ปรึกษาผู้เชี่ยวชาญด้านวัตถุอันตราย โปรดตรวจสอบข้อกำหนดในประเทศที่อาจมีรายละเอียดอื่น ๆ เพิ่มเติม ให้ติดเทปหรือปิดหน้าสัมผัสและห่อแบตเตอรี่ในลักษณะที่แบตเตอรี่จะไม่เคลื่อนที่ไปมาในหีบห่อ

- เมื่อกำจัดดัลบแบตเตอรี่ ให้ถอดดัลบแบตเตอรี่ออกจากเครื่องมือและกำจัดในสถานที่ที่ปลอดภัย ปฏิบัติตามข้อบังคับในท้องถิ่นที่เกี่ยวกับการกำจัดแบตเตอรี่
- ใช้แบตเตอรี่กับผลิตภัณฑ์ที่ระบุโดย Makita เท่านั้น การติดตั้งแบตเตอรี่ในผลิตภัณฑ์ที่ไม่ใช่ตามที่ระบุอาจทำให้เกิดไฟไหม้ ความร้อนสูง ระเบิด หรืออิเล็กทรอนิกส์รั่วไหลได้
- หากไม่ใช้เครื่องมือเป็นระยะเวลานาน จะต้องถอดแบตเตอรี่ออกจากเครื่องมือ
- ในระหว่างและหลังการใช้งาน ดัลบแบตเตอรี่อาจร้อนซึ่งอาจลวกผิวหรือทำให้ผิวไหม้ที่อุณหภูมิต่ำได้ โปรดระมัดระวังในการจัดการกับแบตเตอรี่ที่ร้อน
- อย่าสัมผัสขั้วของเครื่องมือทันทีหลังจากการใช้งาน เนื่องจากอาจมีความร้อนพอที่จะทำให้ผิวไหม้ได้
- อย่าปล่อยให้เศษวัสดุ ฝุ่นผง หรือดินเข้าไปติดอยู่ในขั้ว รู และร่องของดัลบแบตเตอรี่ เนื่องจากอาจทำให้เครื่องมือหรือดัลบแบตเตอรี่มีประสิทธิภาพลดลงหรือเสียหายได้
- หากเครื่องมือไม่รองรับสายไฟแรงดันสูง อย่าใช้ดัลบแบตเตอรี่ใกล้กับสายไฟแรงดันสูง เนื่องจากเครื่องมือหรือดัลบแบตเตอรี่อาจทำงานผิดปกติหรือเสียหายได้
- เก็บแบตเตอรี่ให้ห่างจากเด็ก

## ปฏิบัติตามคำแนะนำเหล่านี้

**⚠ ข้อควรระวัง:** ใช้แบตเตอรี่ของแท้จาก Makita เท่านั้น การใช้แบตเตอรี่ Makita ที่ไม่แท้ หรือแบตเตอรี่ที่ถูกเปลี่ยน อาจทำให้แบตเตอรี่ระเบิด ก่อให้เกิดเพลิงลุกไหม้ การบาดเจ็บ และความเสียหายได้ และจะทำให้การรับประกันของ Makita สำหรับเครื่องมือและแท่นชาร์จของ Makita เป็นโมฆะด้วย

## เคล็ดลับในการรักษาอายุการใช้งานของแบตเตอรี่ให้ยาวนานที่สุด

- ชาร์จดัลบแบตเตอรี่ก่อนที่ไฟจะหมด หยุดการใช้งานแล้วชาร์จประจุไฟใหม่ทุกครั้งเมื่อคุณรู้สึกว่าคุณปรารถนีกำลังลดลง
- อย่าชาร์จดัลบแบตเตอรี่ที่มีไฟเต็มแล้ว การชาร์จประจุไฟมากเกินไปอาจจะทำให้อายุการใช้งานของดัลบแบตเตอรี่สั้นลง
- ชาร์จประจุไฟฟาดัลบแบตเตอรี่ในห้องที่มีอุณหภูมิระหว่าง 10 °C - 40 °C ปล่อยให้ดัลบแบตเตอรี่เย็นลงก่อนที่จะชาร์จไฟ
- เมื่อไม่ใช้ดัลบแบตเตอรี่ ให้ถอดออกจากเครื่องมือหรือเครื่องชาร์จ

## คำอธิบายการทำงาน

**⚠ ข้อควรระวัง:** ตรวจสอบให้แน่ใจว่าได้ปิดสวิตช์เครื่องมือและถอดดัลบแบตเตอรี่ออกก่อนปรับตั้งหรือตรวจสอบการทำงานของเครื่องมือ

**⚠ ข้อควรระวัง:** ขณะใส่แบตเตอรี่ โปรดระวังอย่าให้นิ้วมือเข้าไปติดระหว่างเครื่องทำความสะอาดกับแบตเตอรี่ ดังปรากฏในภาพ หากนิ้วเข้าไปติดระหว่างเครื่องใช้กับแบตเตอรี่อาจทำให้เกิดการบาดเจ็บได้

► หมายเลข 1

## การใส่หรือการถอดดัลบแบตเตอรี่

**⚠ ข้อควรระวัง:** ปิดสวิตช์เครื่องมือก่อนทำการติดตั้งหรือการถอดดัลบแบตเตอรี่ทุกครั้ง

**⚠ ข้อควรระวัง:** ถอดเครื่องมือและดัลบแบตเตอรี่ให้แน่นในระหว่างการติดตั้งหรือการถอดดัลบแบตเตอรี่ หากไม่ถอดเครื่องมือและดัลบแบตเตอรี่ให้แน่น อาจทำให้ดัลบแบตเตอรี่และเครื่องมือลื่นหลุดมือ และทำให้เครื่องมือและดัลบแบตเตอรี่เสียหายหรือได้รับบาดเจ็บได้

► หมายเลข 2: 1. ซิลลี่แดง 2. ปุ่ม 3. ดัลบแบตเตอรี่

เมื่อต้องการถอดดัลบแบตเตอรี่ ให้เลื่อนปุ่มที่ด้านหน้าของดัลบแล้วดึงออกจากเครื่องมือ

การติดตั้งดัลบแบตเตอรี่ ให้จัดตำแหน่งลิ้นของดัลบแบตเตอรี่ให้ตรงกับร่องของเครื่อง แล้วเลื่อนขั้วที่ใส่ดัลบแบตเตอรี่เข้าจนสุดจนกระทั่งได้ยินเสียงคลิกล็อกเข้าที่ หากยังเห็นซิลลี่แดงตามที่แสดงในภาพ แสดงว่าดัลบแบตเตอรี่ยังไม่ล็อกเข้าที่

**⚠ ข้อควรระวัง:** ให้ดันดัลบแบตเตอรี่เข้าจนสุดจนไม่เห็นซิลลี่แดงอีก ไม่เช่นนั้น ดัลบแบตเตอรี่อาจหลุดออกจากเครื่องมือทำให้คุณหรือคนรอบข้างได้รับบาดเจ็บ

**⚠ ข้อควรระวัง:** อย่าฝืนติดตั้งดัลบแบตเตอรี่โดยใช้แรงมากเกินไป หากดัลบแบตเตอรี่ไม่เลื่อนเข้าไปโดยง่าย แสดงว่าใส่ไม่ถูกต้อง

## ระบบป้องกันแบตเตอรี่

เครื่องมือจะมีระบบการป้องกันแบตเตอรี่ ระบบนี้จะทำการตัดพลังงานของมอเตอร์โดยอัตโนมัติเพื่อยืดอายุแบตเตอรี่ เครื่องมือจะหยุดทำงานระหว่างการใช้งานโดยอัตโนมัติเมื่อเครื่องมือและ/หรือแบตเตอรี่อยู่ภายใต้สถานการณ์ต่อไปนี้:

### แรงดันไฟฟ้าแบตเตอรี่ต่ำ:

พลังงานในแบตเตอรี่เหลือน้อยเกินไปและเครื่องมือจะไม่ทำงาน หากคุณเปิดใช้เครื่องมือ มอเตอร์จะเริ่มทำงานอีกครั้ง แต่อีกสักพักจะหยุดทำงาน ในสถานการณ์นี้ ให้ถอดแบตเตอรี่ออกแล้วชาร์จแบตเตอรี่ใหม่

## การระบุระดับพลังงานแบตเตอรี่ที่เหลืออยู่

สำหรับตลับแบตเตอรี่ที่มีตัวแสดงสถานะเท่านั้น

▶ **หมายเลข 3:** 1. ไฟแสดงสถานะ 2. ปุ่มตรวจสอบ

กดปุ่ม ตรวจสอบ บนตลับแบตเตอรี่เพื่อดูปริมาณแบตเตอรี่ที่เหลือ ไฟแสดงสถานะจะสว่างขึ้นเป็นเวลาสองสามวินาที

ไฟแสดงสถานะ		แบตเตอรี่ที่เหลือ
ไฟสว่าง	ดับ	
		75% ถึง 100%
		50% ถึง 75%
		25% ถึง 50%
		0% ถึง 25%

**หมายเหตุ:** ขึ้นอยู่กับสภาพการใช้งานและอุณหภูมิ โดยรอบ การแสดงสถานะอาจแตกต่างจากปริมาณแบตเตอรี่จริงเล็กน้อย

## การทำงานของสวิตช์

**⚠ ข้อควรระวัง:** ก่อนใส่ตลับแบตเตอรี่ลงในเครื่องมือ ให้ตรวจสอบว่าสวิตช์สั่งงานสามารถทำงานได้อย่างถูกต้อง และกลับไปยังตำแหน่ง "ปิด" เมื่อปล่อย

เมื่อต้องการเปิดใช้เครื่องมือ ให้ดึงสวิตช์สั่งงาน ปล่อยสวิตช์สั่งงานเพื่อหยุดทำงาน

▶ **หมายเลข 4:** 1. สวิตช์สั่งงาน

## การเปิดดวงไฟ

**⚠ ข้อควรระวัง:** อย่ามองเข้าไปในดวงไฟหรือจ้องดูแหล่งกำเนิดแสงโดยตรง

เมื่อต้องการเปิดไฟ ให้ดึงสวิตช์สั่งงาน ระหว่างที่เครื่องกำลังทำงาน ดวงไฟจะสว่าง ปล่อยสวิตช์เพื่อปิดไฟ

▶ **หมายเลข 5:** 1. ดวงไฟ 2. สวิตช์สั่งงาน

## การประกอบ

**⚠ ข้อควรระวัง:** ตรวจสอบให้แน่ใจว่าได้ปิดสวิตช์เครื่องมือและถอดตลับแบตเตอรี่ออกก่อนดำเนินการใดๆ กับเครื่องมือ

## ประเภทของตัวกรอง

### ตัวกรองปกติ

▶ **หมายเลข 6:** 1. แคปซูล 2. ตัวกรองชั้นต้น 3. ตัวกรอง

### ตัวกรองประสิทธิภาพสูง

▶ **หมายเลข 7:** 1. แคปซูล 2. ตัวกรองประสิทธิภาพสูง

## การนำผงฝุ่นออกไปทิ้ง

**⚠ ข้อควรระวัง:** นำผงฝุ่นออกไปทิ้งก่อนเติมถุง หรือทำให้แรงดูดลดลง

**⚠ ข้อควรระวัง:** ตรวจสอบให้แน่ใจว่าด้านในของเครื่องมือไม่มีผงฝุ่นเหลืออยู่ ไม่เช่นนั้นอาจทำให้ตัวกรองอุดตัน หรือมอเตอร์อาจได้รับความเสียหาย

## การทิ้งฝุ่นสำหรับตัวกรองปกติ

ในกรณีที่จะทำให้ผงฝุ่นที่ติดอยู่ที่ตัวกรองในแคปซูลหลุด ให้ใช้มีดเคาะที่แคปซูล 4 หรือ 5 ครั้ง

▶ **หมายเลข 8:** 1. แคปซูล 2. ทางดูดเข้า

จับแคปซูลโดยหันทางดูดเข้าลง หุ่นแคปซูลในทิศทางตามลูกศรดังปรากฏในภาพ แล้วถอดแคปซูลข้าง และตรงๆ

▶ **หมายเลข 9:** 1. แคปซูล 2. ทางดูดเข้า

**หมายเหตุ:** ให้เตรียมถุงขยะไว้ได้แคปซูล ขณะแคปซูลเปิดผงฝุ่นอาจฟุ้งกระจาย

เอาฝุ่นสะสมจากภายในของแคปซูลและออกจากแผ่นกรอง  
ชั้นต้น

▶ **หมายเลข 10:** 1. แผ่นกรองชั้นต้น 2. แคปซูล

บิดแผ่นกรองชั้นต้นไปในทิศทางตามลูกศรเพื่อให้ขอบความ  
ปลอดภัยหลุดจากชุดทำความสะอาดจากนั้นก็ดึงแผ่นกรอง  
ชั้นต้นออก

▶ **หมายเลข 11:** 1. แผ่นกรองชั้นต้น 2. ขอบความ  
ปลอดภัย

ทำความสะอาดฝุ่นละเอียดที่แผ่นกรองชั้นต้น จากนั้น ดึงตัว  
กรองออก และเคาะเบาๆ ให้ฝุ่นหลุดออก

▶ **หมายเลข 12:** 1. ตัวกรอง 2. แผ่นกรองชั้นต้น

## การทิ้งฝุ่นสำหรับตัวกรองประสิทธิภาพสูง

เมื่อต้องการทิ้งฝุ่นที่ติดอยู่ที่ตัวกรองในแคปซูล ให้ใช้มือ  
เคาะแคปซูล 4 หรือ 5 ครั้ง

จากนั้นให้หันทางดูดเข้าทางด้านล่าง หมุนแคปซูลในทิศทาง  
ตามลูกศรในภาพ และดึงแคปซูลออกตรงๆ ซ้ำๆ

▶ **หมายเลข 13:** 1. แคปซูล 2. ทางดูดเข้า

**หมายเหตุ:** ฝุ่นอาจล้นออกมาเมื่อเปิดแคปซูล ดังนั้นจึง  
ควรวางถุงขยะไว้ด้านล่างของแคปซูล

นำฝุ่นสะสมจากด้านในของแคปซูลและจากตัวกรอง  
ประสิทธิภาพสูงออก

▶ **หมายเลข 14:** 1. แคปซูล 2. ตัวกรองประสิทธิภาพสูง

บิดตัวกรองประสิทธิภาพสูงในทิศทางตามลูกศรเพื่อปลด  
ขอบยึดออกจากเครื่องดูดฝุ่น จากนั้นดึงตัวกรองออกมา

▶ **หมายเลข 15:** 1. ขอบยึด

ทำความสะอาดฝุ่นออกให้หมด และเคาะตัวกรอง  
ประสิทธิภาพสูงเบาๆ เพื่อไล่ฝุ่น

## การถอดประกอบ

### การประกอบตัวกรองปกติกลับเข้าที่

สวมตัวกรองให้เข้าที่บนชุดทำความสะอาด

▶ **หมายเลข 16:** 1. ตัวกรอง

**ข้อสังเกต:** ตรวจสอบให้แน่ใจว่าได้สวมตัวกรองตรง ไม่มี  
เล็กชิ้นหรือพับ หากสวมตัวกรองได้ไม่เหมาะสมดังปรากฏใน  
ภาพ ฝุ่นจะเข้าไปในมอเตอร์และทำให้มอเตอร์ไม่ทำงาน

▶ **หมายเลข 17:** 1. ตัวกรอง

ติดตั้งแผ่นกรองชั้นต้น ในตอนนี้ บิดแผ่นกรองชั้นต้นให้  
ได้ที่พอที่จะทำให้ขอบความปลอดภัยยึดติดกับชุดทำความสะอาด  
สะอาดได้อย่างเหมาะสม

▶ **หมายเลข 18:** 1. แผ่นกรองชั้นต้น 2. ขอบความ  
ปลอดภัย

▶ **หมายเลข 19**

ติดตั้งแคปซูล จัดตำแหน่งเครื่องหมายบนแคปซูลให้ตรงกับ  
เครื่องหมายใกล้ที่จับจากนั้นก็บิดแคปซูลอย่างมั่นคงใน  
ทิศทางตามลูกศรจนแน่ใจว่าแน่นแล้ว

▶ **หมายเลข 20:** 1. แคปซูล 2. ที่จับ 3. เครื่องหมาย

**หมายเหตุ:** นำฝุ่นออกไปทิ้งก่อนเสมอ ก่อนที่จะทำให้  
พลังดูดลดลงหากมีฝุ่นผูกเกาะไปในเครื่องทำความสะอาด  
สะอาด

**ข้อสังเกต:** ก่อนการใช้งาน ต้องตรวจดูให้แน่ใจเสมอว่า  
ได้ใส่ทั้งตัวกรองและแผ่นกรองชั้นต้นอย่างถูกต้อง หาก  
ไม่ถูกต้อง ฝุ่นจะเข้าไปในมอเตอร์และทำให้มอเตอร์ไม่  
ทำงาน หากสิ่งต่างๆ ดังปรากฏในตัวอย่งเกิดขึ้น แสดง  
ว่าใส่ตัวกรองและแผ่นกรองชั้นต้นไม่ถูกต้อง ให้ใส่ใหม่  
เพื่อแก้ปัญหา

### ตัวอย่างปัญหาต่างๆ

ตัวอย่างที่ 1: ใส่แค่แผ่นกรองชั้นต้น (แต่ไม่ได้ใส่ตัวกรอง)

▶ **หมายเลข 21:** 1. แผ่นกรองชั้นต้น

ตัวอย่างที่ 2: ใส่แค่ตัวกรอง (แต่ไม่ได้ใส่แผ่นกรองชั้นต้น)

▶ **หมายเลข 22:** 1. ตัวกรอง

ตัวอย่างที่ 3: ใส่ตัวกรองเข้าไปแล้ว แต่มันเล็กชิ้นหรือพับ

▶ **หมายเลข 23:** 1. ตัวกรอง

ตัวอย่างที่ 4: ขอบความปลอดภัยที่อยู่บนแผ่นกรองชั้นต้น  
ไม่มียึดติดกับร่องของชุดทำความสะอาด

▶ **หมายเลข 24:** 1. ขอบความปลอดภัย 2. แผ่นกรอง  
ชั้นต้น 3. ร่องของชุดทำความสะอาด

### การประกอบตัวกรองประสิทธิภาพสูงกลับเข้าที่

ใส่ตัวกรองประสิทธิภาพสูง จากนั้นตรวจสอบให้แน่ใจว่าได้  
บิดตัวกรองประสิทธิภาพสูงเพื่อล็อคขอบยึดเข้ากับเครื่องดูด  
ฝุ่นแน่นแล้ว

▶ **หมายเลข 25:** 1. ตัวกรองประสิทธิภาพสูง 2. ขอบยึด

▶ **หมายเลข 26:** 1. ขอบยึด

ใส่แคปซูล จัดตำแหน่งสัญลักษณ์ O บนแคปซูลให้ตรงกับตำแหน่งสัญลักษณ์ O บนมือจับ จากนั้นบิดแคปซูลในทิศทางตามลูกศรจนแน่น

▶ **หมายเลข 27:** 1. สัญลักษณ์ O

▶ **หมายเลข 28:** 1. มือจับ 2. แคปซูล

**หมายเหตุ:** นำฝุ่นออกเสมอ เนื่องจากกำลังการดูดจะลดลงหากมีฝุ่นสะสมในเครื่องดูดฝุ่นมากเกินไป

**หมายเหตุ:** ตรวจสอบให้แน่ใจเสมอว่าใส่ตัวกรองประสิทธิภาพสูงอย่างถูกต้องแล้วก่อนการใช้งานเครื่องดูดฝุ่น หากใส่ไม่ถูกต้อง ฝุ่นอาจจะเข้าไปในส่วนมอเตอร์และทำให้มอเตอร์ขัดข้องได้

หากใส่ตัวกรองประสิทธิภาพสูงไม่ถูกต้องจะเป็นดังตัวอย่างต่อไปนี้ ใส่ใหม่ให้ถูกต้องเพื่อแก้ปัญหา

### ตัวอย่างปัญหาต่างๆ

ขอบยืดของตัวกรองประสิทธิภาพสูงไม่ได้ลึกลงเข้ากับร่องของเครื่องดูดฝุ่นแน่นพอ

▶ **หมายเลข 29:** 1. ขอบยืด 2. ร่องของเครื่องดูดฝุ่น

### การใช้งาน

**⚠ ข้อควรระวัง:** การต่อกับส่วนอื่นๆ เช่น หัวดูดฝุ่น ให้บิดท่อต่อของหัวดูดฝุ่นแล้วสวมเข้าในทิศทางตามลูกศรเพื่อให้แน่นขณะใช้งาน ในการถอดท่อต่อของหัวดูดฝุ่นดังกล่าว ให้บิดแล้วถอดตามทิศทางของลูกศร การต่อหรือถอดท่อต่อของหัวดูดฝุ่นนี้ หากทำในทิศทางตรงข้ามกับที่ลูกศรบอก อาจทำให้แคปซูลหลวมได้

▶ **หมายเลข 30:** 1. แคปซูล

### การทำความสะอาด (การดูดฝุ่น)

#### หัวดูดฝุ่น

ต่อหัวดูดฝุ่นเข้าเพื่อสะดวกในการทำความสะอาด โต๊ะ โต๊ะทำงาน เฟอร์นิเจอร์ และอื่นๆ โดยหัวดูดฝุ่นจะเคลื่อนที่ได้อย่างง่ายดาย

▶ **หมายเลข 31:** 1. หัวดูดฝุ่น

#### หัวดูดฝุ่น + ท่อต่อ (ท่อตรง)

ท่อต่อเข้ากันพอดีกับหัวดูดฝุ่นและเครื่องดูดฝุ่น การต่อท่อแบบนี้จะทำให้สะดวกในการทำความสะอาดพื้นในท้ายัน

▶ **หมายเลข 32:** 1. ตัวเครื่อง 2. ท่อต่อ 3. หัวดูดฝุ่น

#### หัวดูดฝุ่นสำหรับมุมอับ

สวมหัวดูดฝุ่นสำหรับมุมอับเพื่อทำความสะอาดมุมหรือร่องต่างๆ ในรถยนต์หรือเฟอร์นิเจอร์

▶ **หมายเลข 33:** 1. หัวดูดฝุ่นสำหรับมุมอับ 2. ตัวเครื่อง

#### หัวดูดฝุ่นสำหรับมุมอับ + ท่อต่อ (ท่อตรง)

ในบริเวณที่เครื่องดูดฝุ่นเข้าถึงยากหรืออยู่สูง เข้าไปไม่ถึงให้ใช้วิธีนี้

▶ **หมายเลข 34:** 1. หัวดูดฝุ่นสำหรับมุมอับ 2. ท่อต่อ 3. ตัวเครื่อง

#### การทำความสะอาดโดยไม่ใช้หัวดูดฝุ่น

ท่านสามารถดูดฝุ่นและผงได้โดยไม่ต้องใช้หัวดูดฝุ่นหรือท่อระบาย

▶ **หมายเลข 35**

### การบำรุงรักษา

**⚠ ข้อควรระวัง:** ตรวจสอบให้แน่ใจว่าได้ปิดสวิตช์เครื่องมือและถอดปลั๊กแบตเตอรี่ออกก่อนทำการตรวจสอบหรือบำรุงรักษา

### หลังจากการใช้งาน

**ข้อสังเกต:** การวางเครื่องดูดฝุ่นผิงผนังโดยไม่มีสิ่งค้ำจุนอาจทำให้เครื่องดูดฝุ่นล้มลงพื้นและทำให้ชำรุดเสียหายได้

▶ **หมายเลข 36**



## การทำความสะอาด

**ข้อสังเกต:** อย่าใช้น้ำมันเชื้อเพลิง เบนซิน ทินเนอร์ แอลกอฮอล์ หรือวัสดุประเภทเดียวกัน เนื่องจากอาจทำให้สีซีดจาง เสียรูป หรือแตกร้าวได้

**ข้อสังเกต:** อย่าเป่าฝุ่นที่ติดอยู่บนเครื่องดูดฝุ่นและตัวกรองด้วยที่เป่าฝุ่น เนื่องจากจะทำให้ฝุ่นเข้าไปด้านในเครื่องและทำให้เกิดการขัดข้องได้

**ข้อสังเกต:** หลังล้างตัวกรองแล้ว ให้รอให้แห้งสนิทก่อนการใช้งาน หากตัวกรองไม่แห้งพอ อาจทำให้ดูดฝุ่นได้ไม่ดี และยังทำให้มอเตอร์มีอายุการใช้งานสั้นลงด้วย

**ข้อสังเกต:** หลังทำความสะอาดตัวกรองและกรองฟองน้ำแล้ว ตรวจสอบให้แน่ใจว่าได้ประกอบกลับเข้าที่เดิมแล้วก่อนใช้งาน หากคุณใช้เครื่องดูดฝุ่นโดยไม่ม้วนกรองและกรองฟองน้ำ ฝุ่นอาจเข้าไปในมอเตอร์และทำให้เครื่องทำงานผิดปกติได้

### ตัวเครื่องดูดฝุ่น

หมั่นทำความสะอาดภายนอก (ตัวเครื่อง) ของเครื่องดูดฝุ่น โดยใช้ผ้าชุบน้ำหมาดๆ

ทำความสะอาดช่องดูดฝุ่นและบริเวณที่ติดตั้งตัวกรองด้วย

► หมายเลข 37

### ตัวกรอง

เมื่อตัวกรองมีฝุ่นอุดตัน และแรงดูดฝุ่นลดลง ให้ทำความสะอาดตัวกรองด้วยน้ำหมาดๆ รอให้แห้งสนิทก่อนการใช้งาน

► หมายเลข 38

## การแก้ไขปัญหา

ก่อนที่จะมีการซ่อม กรุณาตรวจสอบดังต่อไปนี้

อาการหรือสิ่งที่เกิดขึ้น	บริเวณที่จะตรวจสอบ	วิธีการซ่อม
แรงดูดลดลง	ฝงฝุ่นเต็มแคปซูลหรือไม่?	ทำให้แคปซูลว่าง ไม่เติมไปด้วยฝงฝุ่น
	ตัวกรอง อุดตันหรือไม่?	ทำความสะอาด หรือล้างตัวกรอง
	แบตเตอรี่หมดหรือไม่?	ชาร์จไฟตลับแบตเตอรี่
ใช้การไม่ได้	แบตเตอรี่หมดหรือไม่?	ชาร์จไฟตลับแบตเตอรี่

**⚠ ข้อควรระวัง:** ห้ามพยายามที่จะซ่อมเครื่องดูดฝุ่นด้วยตนเอง

เพื่อความปลอดภัยและนำเชื้อถือของผลิตภัณฑ์ ควรให้ศูนย์บริการหรือโรงงานที่ผ่านการรับรองจาก Makita เป็นผู้ดำเนินการซ่อมแซม บำรุงรักษาและทำการปรับตั้งอื่นๆ นอกจากนี้ให้ใช้อะไหล่ของแท้จาก Makita เสมอ

## กรองฟองน้ำ

เมื่อกรองฟองน้ำสกปรก ให้ทำความสะอาดดังนี้

1. ถอดตัวกรองออก
2. ดึงกรองฟองน้ำออกจากโครง
3. ทำความสะอาดกรองฟองน้ำโดยการตบเบาๆ และการล้าง หากคุณล้าง ให้รอให้แห้งสนิทก่อนการใช้งาน
4. สอดกรองฟองน้ำเข้าไประหว่างโครงและใส่กลับเข้าที่เดิม ตรวจสอบให้แน่ใจว่าขอบด้านล่างของโครงยึดฟองน้ำไว้ดีแล้ว และไม่มีช่องว่างระหว่างกรองฟองน้ำและช่องดูดฝุ่น

► หมายเลข 39: 1. กรองฟองน้ำ 2. ขอบด้านล่างของโครง

## การทำความสะอาดหัวดูด

เมื่อแปรงที่หัวดูดสกปรก ให้ทำความสะอาดสิ่งสกปรกออกด้วยแผ่นกาว

► หมายเลข 40: 1. แปรง

## อุปกรณ์เสริม

**⚠️ ข้อควรระวัง:** ขอแนะนำให้ใช้เฉพาะอุปกรณ์เสริมหรืออุปกรณ์ต่อพ่วงเหล่านี้กับเครื่องมือ Makita ที่ระบุในคู่มือ การใช้อุปกรณ์เสริมหรืออุปกรณ์ต่อพ่วงอื่นๆ อาจมีความเสี่ยงที่จะได้รับบาดเจ็บ ใช้อุปกรณ์เสริมหรืออุปกรณ์ต่อพ่วงตามวัตถุประสงค์ที่ระบุไว้เท่านั้น

หากต้องการทราบรายละเอียดเพิ่มเติมเกี่ยวกับอุปกรณ์เสริมเหล่านี้ โปรดสอบถามศูนย์บริการ Makita ใกล้บ้านคุณ

- ท่อต่อ (ท่อตรง)
- หัวดูดฝุ่น
- หัวดูดฝุ่นสำหรับพื้นพรอม
- แปรงสำหรับชั้นวาง
- หัวดูดฝุ่นสำหรับมุมอับ
- แปรงกลม
- ท่อที่อ่อนตัวได้
- ตัวกรอง
- แผ่นกรองชั้นต้น
- ตัวกรองประสิทธิภาพสูง
- อุปกรณ์ต่อพ่วงไซโคลน
- แบตเตอรี่และเครื่องชาร์จ Makita ของแท้

**หมายเหตุ:** อุปกรณ์บางรายการอาจจะรวมอยู่ในชุดเครื่องมือเป็นอุปกรณ์มาตรฐาน ซึ่งอาจแตกต่างกันไปในแต่ละประเทศ

## อุปกรณ์ต่อพ่วงไซโคลน

- หมายเลข 41: 1. ท่อตรง 2. อุปกรณ์ต่อพ่วงไซโคลน 3. ช่องดูดฝุ่น

### เกี่ยวกับอุปกรณ์ต่อพ่วงไซโคลน

การใช้เครื่องดูดฝุ่นโดยติดตั้งอุปกรณ์ต่อพ่วงไซโคลนจะช่วยลดปริมาณฝุ่นที่เข้าไปในแคปซูล ซึ่งช่วยป้องกันแรงดูดอ่อนลง นอกจากนี้ การทำความสะอาดหลังการใช้งานก็ง่ายด้วย

**⚠️ ข้อควรระวัง:** ตรวจสอบให้แน่ใจว่าได้ปิดสวิตช์เครื่องมือและถอดปลั๊กแบตเตอรี่ออกก่อนดำเนินการใดๆ กับเครื่องมือ หากใส่ดัลบีแบตเตอรี่ค้างไว้ เครื่องดูดฝุ่นอาจทำงานโดยอัตโนมัติและอาจส่งผลให้เกิดการบาดเจ็บได้

**⚠️ ข้อควรระวัง:** ทำความสะอาดตัวกรองของอุปกรณ์ต่อพ่วงไซโคลนและไส้กรองของเครื่องดูดฝุ่นเมื่อฝุ่นอุดตัน การใช้งานต่อเนื่องในขณะที่เกิดฝุ่นอุดตันอาจทำให้เกิดความร้อนหรือควันได้

**ข้อสังเกต:** เมื่อติดตั้งอุปกรณ์ต่อพ่วงไซโคลน อย่าใช้เครื่องดูดฝุ่นในแนวนอนหรือยกขึ้น มิเช่นนั้นอาจทำให้ตัวกรองเกิดการอุดตัน

**ข้อสังเกต:** ใช้เครื่องดูดฝุ่นที่ติดตั้งไส้กรองอยู่เสมอ ถึงแม้จะใช้งานอุปกรณ์ต่อพ่วงไซโคลนด้วย การใช้เครื่องดูดฝุ่นโดยไม่ติดตั้งไส้กรองอาจทำให้มอเตอร์ทำงานผิดปกติ

**หมายเหตุ:** ตรวจสอบว่าเลือกอุปกรณ์ต่อพ่วงไซโคลน เครื่องดูดฝุ่น และท่อตรงให้เหมาะสมก่อนการใช้งาน

**หมายเหตุ:** ทำความสะอาดกล่องดักฝุ่นของอุปกรณ์ต่อพ่วงไซโคลนและแคปซูลของเครื่องดูดฝุ่นเมื่อมีฝุ่นสะสม การใช้งานต่อจะทำให้แรงดูดอ่อนลง

## การนำผงฝุ่นออกไปทิ้ง

เมื่อมีฝุ่นสะสมถึงขีดระดับสูงสุดของกล่องดักฝุ่น ให้ปฏิบัติตามกระบวนการด้านล่างและนำผงฝุ่นออกไปทิ้ง

1. จับกล่องดักฝุ่นให้แน่น กดค้างที่ปุ่มทั้งสอง และถอดกล่องดักฝุ่น

► **หมายเลข 42:** 1. ขีดระดับสูงสุด 2. กล่องดักฝุ่น  
3. ปุ่ม (สองตำแหน่ง) 4. ตัวกรอง

2. นำผงฝุ่นภายในกล่องดักฝุ่นออกไปทิ้ง จากนั้นจึงทิ้งฝุ่นและผงที่ติดบนพื้นผิวตัวกรอง

3. ใส่กล่องดักฝุ่นจนสุดจนกว่าจะได้ยินเสียงคลิกจากกลไกของปุ่มทั้งสอง

► **หมายเลข 43:** 1. กล่องดักฝุ่น 2. ปุ่ม (สองตำแหน่ง)

**หมายเหตุ:** ตรวจสอบว่าเชื่อมต่ออุปกรณ์ต่อพ่วงไซโคลน เครื่องดูดฝุ่น และท่อตรงให้แน่นก่อนการใช้งานอีกครั้ง

**หมายเหตุ:** หากแรงดูดไม่ดีขึ้นหลังจากการนำผงฝุ่นออกไปทิ้งและการทำความสะอาดตัวกรอง ให้ตรวจสอบว่ามีฝุ่นสะสมในแคปซูลของเครื่องดูดฝุ่นหรือมีฝุ่นอุดตันหรือไม่

## การทำความสะอาด

เมื่อกล่องดักฝุ่นมีคราบสกปรกหรือตัวกรองมีฝุ่นอุดตัน ให้ขัดออกและล้างน้ำ (โปรดอ้างอิง “การนำผงฝุ่นออกไปทิ้ง” สำหรับกระบวนการกำจัดฝุ่น)

ตากชิ้นส่วนให้แห้งก่อนนำมาติดตั้งและใช้งานอีกครั้ง

► **หมายเลข 44:** 1. กล่องดักฝุ่น 2. ตัวกรอง

เมื่อตัวกรองมีคราบสกปรกมาก ให้ล้างตามกระบวนการดังต่อไปนี้

1. หมุนตัวกรองทวนเข็มนาฬิกาและถอดออกมาหลังจากปลดล็อกขอเกี่ยว

► **หมายเลข 45:** 1. ตัวกรอง 2. ขอเกี่ยว

2. บัดฝุ่นบนตัวกรองแล้วล้างน้ำ หลังจากนั้น ให้ตากจนแห้ง

3. ใส่ตัวกรองที่ฐานโดยให้ขอเกี่ยวตรงกับช่องต่อ หมุนตัวกรองตามเข็มนาฬิกาจนกว่าขอเกี่ยวจะมีเสียงคลิก ตรวจสอบให้แน่ใจว่าติดตั้งตัวกรองให้แน่น

► **หมายเลข 46:** 1. ตัวกรอง 2. ขอเกี่ยว 3. ช่องต่อ

**Makita Corporation**  
3-11-8, Sumiyoshi-cho,  
Anjo, Aichi 446-8502 Japan  
[www.makita.com](http://www.makita.com)

885525I370  
EN, ZHCN, ID,  
VI, TH  
20201215