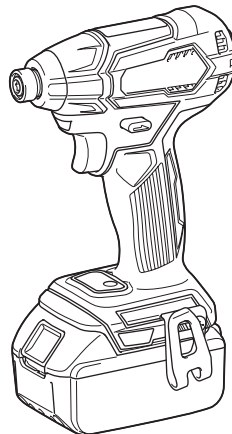




<b>EN</b>	Cordless Impact Driver	<b>INSTRUCTION MANUAL</b>	<b>4</b>
<b>ID</b>	Obeng Ketok Listrik Tanpa Kabel	<b>PETUNJUK PENGGUNAAN</b>	<b>12</b>
<b>VI</b>	Máy bắt vít chạy pin	<b>TÀI LIỆU HƯỚNG DẪN</b>	<b>21</b>
<b>TH</b>	สว่านไขควงกระแสตกแบบไร้สาย	<b>คู่มือการใช้งาน</b>	<b>29</b>

## DTD155



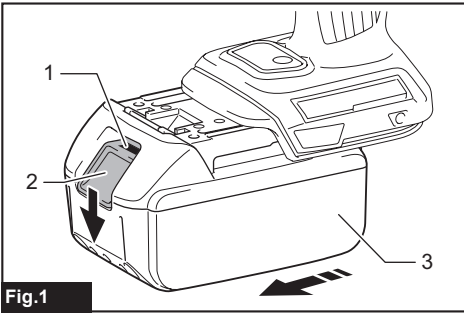


Fig.1

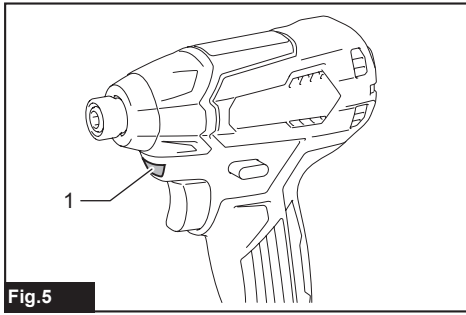


Fig.5

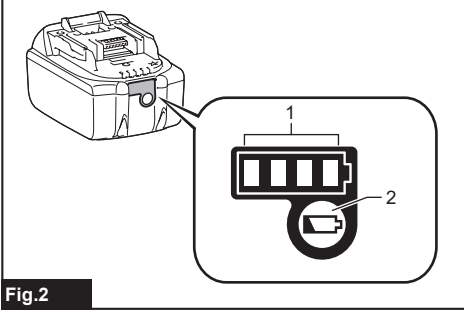


Fig.2

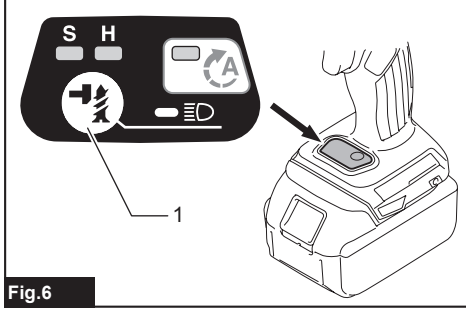


Fig.6

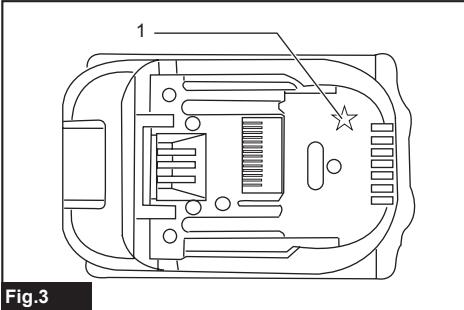


Fig.3

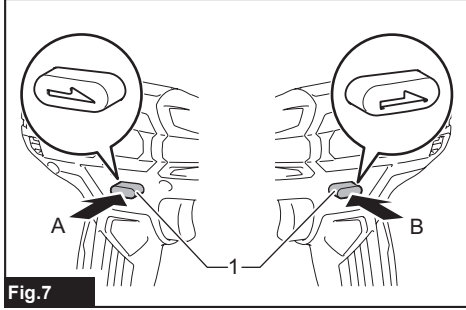


Fig.7

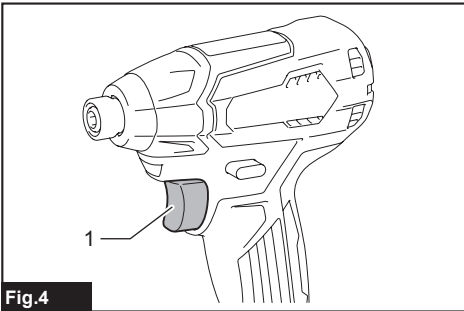


Fig.4

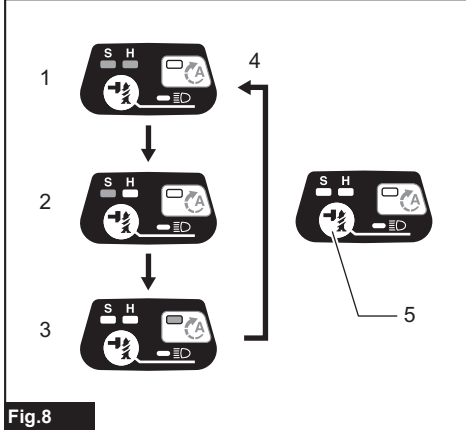


Fig.8

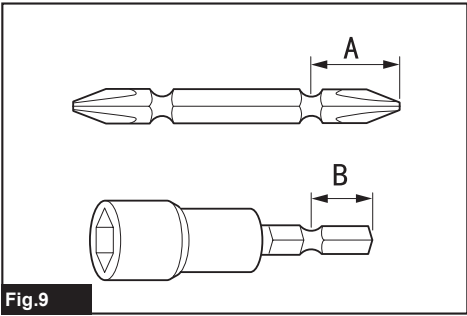


Fig.9

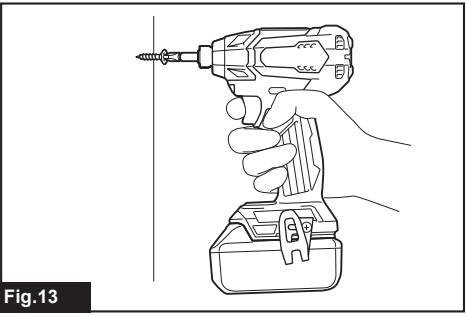


Fig.13

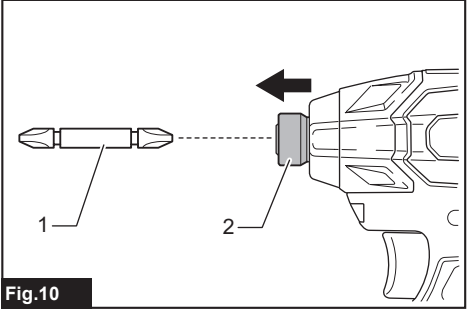


Fig.10

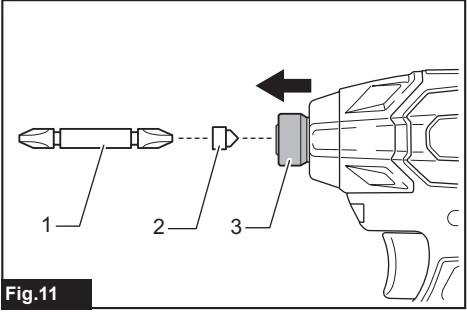


Fig.11

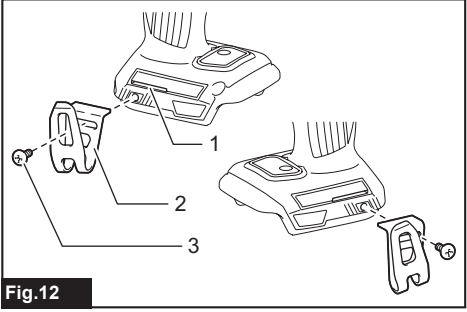


Fig.12

## SPECIFICATIONS

Model:		DTD155
Fastening capacities	Machine screw	4 mm - 8 mm
	Standard bolt	5 mm - 14 mm
	High tensile bolt	5 mm - 12 mm
No load speed	Hard impact mode	0 - 3,000 min <sup>-1</sup>
	Soft impact mode	0 - 1,300 min <sup>-1</sup>
Impacts per minute	Hard impact mode	0 - 3,900 min <sup>-1</sup>
	Soft impact mode	0 - 1,600 min <sup>-1</sup>
Rated voltage		D.C. 18 V
Overall length		135 mm
Net weight		1.2 - 1.5 kg

- Due to our continuing program of research and development, the specifications herein are subject to change without notice.
- Specifications may differ from country to country.
- The weight may differ depending on the attachment(s), including the battery cartridge. The lightest and heaviest combination, according to EPTA-Procedure 01/2014, are shown in the table.

## Applicable battery cartridge and charger

Battery cartridge	BL1815N / BL1820 / BL1820B / BL1830 / BL1830B / BL1840 / BL1840B / BL1850 / BL1850B / BL1860B
Charger	DC18RC / DC18RD / DC18RE / DC18SD / DC18SE / DC18SF

- Some of the battery cartridges and chargers listed above may not be available depending on your region of residence.

**⚠ WARNING: Only use the battery cartridges and chargers listed above.** Use of any other battery cartridges and chargers may cause injury and/or fire.

## Symbols

The followings show the symbols used for the equipment. Be sure that you understand their meaning before use.



Read instruction manual.



Only for EU countries  
Do not dispose of electric equipment or battery pack together with household waste material!

In observance of the European Directives, on Waste Electric and Electronic Equipment and Batteries and Accumulators and Waste Batteries and Accumulators and their implementation in accordance with national laws, electric equipment and batteries and battery pack(s) that have reached the end of their life must be collected separately and returned to an environmentally compatible recycling facility.

## Intended use

The tool is intended for screw driving in wood, metal and plastic.

## SAFETY WARNINGS

### General power tool safety warnings

**⚠ WARNING: Read all safety warnings, instructions, illustrations and specifications provided with this power tool.** Failure to follow all instructions listed below may result in electric shock, fire and/or serious injury.

### Save all warnings and instructions for future reference.

The term "power tool" in the warnings refers to your mains-operated (corded) power tool or battery-operated (cordless) power tool.

#### Work area safety

1. **Keep work area clean and well lit.** Cluttered or dark areas invite accidents.
2. **Do not operate power tools in explosive atmospheres, such as in the presence of flammable liquids, gases or dust.** Power tools create sparks which may ignite the dust or fumes.

3. **Keep children and bystanders away while operating a power tool.** Distractions can cause you to lose control.

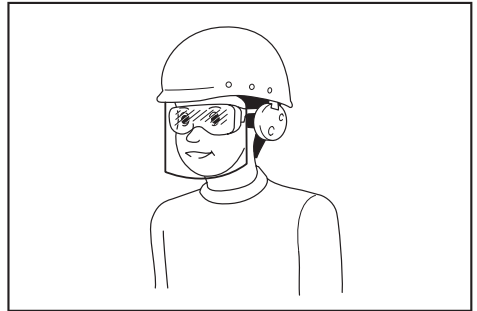
#### Electrical safety

1. **Power tool plugs must match the outlet. Never modify the plug in any way. Do not use any adapter plugs with earthed (grounded) power tools.** Unmodified plugs and matching outlets will reduce risk of electric shock.
2. **Avoid body contact with earthed or grounded surfaces, such as pipes, radiators, ranges and refrigerators.** There is an increased risk of electric shock if your body is earthed or grounded.
3. **Do not expose power tools to rain or wet conditions.** Water entering a power tool will increase the risk of electric shock.
4. **Do not abuse the cord. Never use the cord for carrying, pulling or unplugging the power tool. Keep cord away from heat, oil, sharp edges or moving parts.** Damaged or entangled cords increase the risk of electric shock.
5. **When operating a power tool outdoors, use an extension cord suitable for outdoor use.** Use of a cord suitable for outdoor use reduces the risk of electric shock.
6. **If operating a power tool in a damp location is unavoidable, use a residual current device (RCD) protected supply.** Use of an RCD reduces the risk of electric shock.
7. **Power tools can produce electromagnetic fields (EMF) that are not harmful to the user.** However, users of pacemakers and other similar medical devices should contact the maker of their device and/or doctor for advice before operating this power tool.

#### Personal safety

1. **Stay alert, watch what you are doing and use common sense when operating a power tool. Do not use a power tool while you are tired or under the influence of drugs, alcohol or medication.** A moment of inattention while operating power tools may result in serious personal injury.
2. **Use personal protective equipment. Always wear eye protection.** Protective equipment such as a dust mask, non-skid safety shoes, hard hat or hearing protection used for appropriate conditions will reduce personal injuries.
3. **Prevent unintentional starting. Ensure the switch is in the off-position before connecting to power source and/or battery pack, picking up or carrying the tool.** Carrying power tools with your finger on the switch or energising power tools that have the switch on invites accidents.
4. **Remove any adjusting key or wrench before turning the power tool on.** A wrench or a key left attached to a rotating part of the power tool may result in personal injury.
5. **Do not overreach. Keep proper footing and balance at all times.** This enables better control of the power tool in unexpected situations.
6. **Dress properly. Do not wear loose clothing or jewellery. Keep your hair and clothing away from moving parts.** Loose clothes, jewellery or long hair can be caught in moving parts.

7. **If devices are provided for the connection of dust extraction and collection facilities, ensure these are connected and properly used.** Use of dust collection can reduce dust-related hazards.
8. **Do not let familiarity gained from frequent use of tools allow you to become complacent and ignore tool safety principles.** A careless action can cause severe injury within a fraction of a second.
9. **Always wear protective goggles to protect your eyes from injury when using power tools. The goggles must comply with ANSI Z87.1 in the USA, EN 166 in Europe, or AS/NZS 1336 in Australia/New Zealand. In Australia/New Zealand, it is legally required to wear a face shield to protect your face, too.**



It is an employer's responsibility to enforce the use of appropriate safety protective equipments by the tool operators and by other persons in the immediate working area.

#### Power tool use and care

1. **Do not force the power tool. Use the correct power tool for your application.** The correct power tool will do the job better and safer at the rate for which it was designed.
2. **Do not use the power tool if the switch does not turn it on and off.** Any power tool that cannot be controlled with the switch is dangerous and must be repaired.
3. **Disconnect the plug from the power source and/or remove the battery pack, if detachable, from the power tool before making any adjustments, changing accessories, or storing power tools.** Such preventive safety measures reduce the risk of starting the power tool accidentally.
4. **Store idle power tools out of the reach of children and do not allow persons unfamiliar with the power tool or these instructions to operate the power tool.** Power tools are dangerous in the hands of untrained users.
5. **Maintain power tools and accessories. Check for misalignment or binding of moving parts, breakage of parts and any other condition that may affect the power tool's operation. If damaged, have the power tool repaired before use.** Many accidents are caused by poorly maintained power tools.
6. **Keep cutting tools sharp and clean.** Properly maintained cutting tools with sharp cutting edges are less likely to bind and are easier to control.

7. **Use the power tool, accessories and tool bits etc. in accordance with these instructions, taking into account the working conditions and the work to be performed.** Use of the power tool for operations different from those intended could result in a hazardous situation.
8. **Keep handles and grasping surfaces dry, clean and free from oil and grease.** Slippery handles and grasping surfaces do not allow for safe handling and control of the tool in unexpected situations.
9. **When using the tool, do not wear cloth work gloves which may be entangled.** The entanglement of cloth work gloves in the moving parts may result in personal injury.

#### Battery tool use and care

1. **Recharge only with the charger specified by the manufacturer.** A charger that is suitable for one type of battery pack may create a risk of fire when used with another battery pack.
2. **Use power tools only with specifically designated battery packs.** Use of any other battery packs may create a risk of injury and fire.
3. **When battery pack is not in use, keep it away from other metal objects, like paper clips, coins, keys, nails, screws or other small metal objects, that can make a connection from one terminal to another.** Shorting the battery terminals together may cause burns or a fire.
4. **Under abusive conditions, liquid may be ejected from the battery; avoid contact. If contact accidentally occurs, flush with water. If liquid contacts eyes, additionally seek medical help.** Liquid ejected from the battery may cause irritation or burns.
5. **Do not use a battery pack or tool that is damaged or modified.** Damaged or modified batteries may exhibit unpredictable behaviour resulting in fire, explosion or risk of injury.
6. **Do not expose a battery pack or tool to fire or excessive temperature.** Exposure to fire or temperature above 130 °C may cause explosion.
7. **Follow all charging instructions and do not charge the battery pack or tool outside the temperature range specified in the instructions.** Charging improperly or at temperatures outside the specified range may damage the battery and increase the risk of fire.

#### Service

1. **Have your power tool serviced by a qualified repair person using only identical replacement parts.** This will ensure that the safety of the power tool is maintained.
2. **Never service damaged battery packs.** Service of battery packs should only be performed by the manufacturer or authorized service providers.
3. **Follow instruction for lubricating and changing accessories.**

## Cordless impact driver safety warnings

1. **Hold the power tool by insulated gripping surfaces, when performing an operation where the fastener may contact hidden wiring.** Fasteners contacting a "live" wire may make exposed metal parts of the power tool "live" and could give the operator an electric shock.
2. **Always be sure you have a firm footing. Be sure no one is below when using the tool in high locations.**
3. **Hold the tool firmly.**
4. **Wear ear protectors.**
5. **Do not touch the bit or the workpiece immediately after operation. They may be extremely hot and could burn your skin.**
6. **Keep hands away from rotating parts.**
7. **Use auxiliary handle(s), if supplied with the tool.** Loss of control can cause personal injury.
8. **Hold the power tool by insulated gripping surfaces, when performing an operation where the cutting accessory may contact hidden wiring.** Cutting accessory contacting a "live" wire may make exposed metal parts of the power tool "live" and could give the operator an electric shock.

## SAVE THESE INSTRUCTIONS.

**⚠WARNING:** DO NOT let comfort or familiarity with product (gained from repeated use) replace strict adherence to safety rules for the subject product.

**MISUSE** or failure to follow the safety rules stated in this instruction manual may cause serious personal injury.

## Important safety instructions for battery cartridge

1. **Before using battery cartridge, read all instructions and cautionary markings on (1) battery charger, (2) battery, and (3) product using battery.**
2. **Do not disassemble battery cartridge.**
3. **If operating time has become excessively shorter, stop operating immediately. It may result in a risk of overheating, possible burns and even an explosion.**
4. **If electrolyte gets into your eyes, rinse them out with clear water and seek medical attention right away. It may result in loss of your eyesight.**
5. **Do not short the battery cartridge:**
  - (1) **Do not touch the terminals with any conductive material.**
  - (2) **Avoid storing battery cartridge in a container with other metal objects such as nails, coins, etc.**
  - (3) **Do not expose battery cartridge to water or rain.**

A battery short can cause a large current flow, overheating, possible burns and even a breakdown.

6. Do not store the tool and battery cartridge in locations where the temperature may reach or exceed 50 °C (122 °F).
7. Do not incinerate the battery cartridge even if it is severely damaged or is completely worn out. The battery cartridge can explode in a fire.
8. Be careful not to drop or strike battery.
9. Do not use a damaged battery.
10. The contained lithium-ion batteries are subject to the Dangerous Goods Legislation requirements.  
For commercial transports e.g. by third parties, forwarding agents, special requirement on packaging and labeling must be observed. For preparation of the item being shipped, consulting an expert for hazardous material is required. Please also observe possibly more detailed national regulations.  
Tape or mask off open contacts and pack up the battery in such a manner that it cannot move around in the packaging.
11. Follow your local regulations relating to disposal of battery.
12. Use the batteries only with the products specified by Makita. Installing the batteries to non-compliant products may result in a fire, excessive heat, explosion, or leak of electrolyte.

## SAVE THESE INSTRUCTIONS.

**CAUTION:** Only use genuine Makita batteries. Use of non-genuine Makita batteries, or batteries that have been altered, may result in the battery bursting causing fires, personal injury and damage. It will also void the Makita warranty for the Makita tool and charger.

## Tips for maintaining maximum battery life

1. Charge the battery cartridge before completely discharged. Always stop tool operation and charge the battery cartridge when you notice less tool power.
2. Never recharge a fully charged battery cartridge. Overcharging shortens the battery service life.
3. Charge the battery cartridge with room temperature at 10 °C - 40 °C (50 °F - 104 °F). Let a hot battery cartridge cool down before charging it.
4. Charge the battery cartridge if you do not use it for a long period (more than six months).

## FUNCTIONAL DESCRIPTION

**CAUTION:** Always be sure that the tool is switched off and the battery cartridge is removed before adjusting or checking function on the tool.

## Installing or removing battery cartridge

**CAUTION:** Always switch off the tool before installing or removing of the battery cartridge.

**CAUTION:** Hold the tool and the battery cartridge firmly when installing or removing battery cartridge. Failure to hold the tool and the battery cartridge firmly may cause them to slip off your hands and result in damage to the tool and battery cartridge and a personal injury.

► Fig.1: 1. Red indicator 2. Button 3. Battery cartridge

To remove the battery cartridge, slide it from the tool while sliding the button on the front of the cartridge.

To install the battery cartridge, align the tongue on the battery cartridge with the groove in the housing and slip it into place. Insert it all the way until it locks in place with a little click. If you can see the red indicator on the upper side of the button, it is not locked completely.

**CAUTION:** Always install the battery cartridge fully until the red indicator cannot be seen. If not, it may accidentally fall out of the tool, causing injury to you or someone around you.

**CAUTION:** Do not install the battery cartridge forcibly. If the cartridge does not slide in easily, it is not being inserted correctly.

## Indicating the remaining battery capacity

Only for battery cartridges with the indicator

► Fig.2: 1. Indicator lamps 2. Check button

Press the check button on the battery cartridge to indicate the remaining battery capacity. The indicator lamps light up for a few seconds.

Indicator lamps			Remaining capacity
Lighted	Off	Blinking	
■	□	◐	75% to 100%
■ ■ ■ ■			
■	□	◐	50% to 75%
■ ■ ■ □			
■	□	◐	25% to 50%
■ ■ □ □			
■	□	◐	0% to 25%
■ □ □ □			
◐	□	□	Charge the battery.
■	□	□	The battery may have malfunctioned.
■ ■ □ □	□ □	■ ■	

**NOTE:** Depending on the conditions of use and the ambient temperature, the indication may differ slightly from the actual capacity.

## Tool / battery protection system

The tool is equipped with a tool/battery protection system. This system automatically cuts off power to the motor to extend tool and battery life. The tool will automatically stop during operation if the tool or battery is placed under one of the following conditions:

### Overload protection

When the battery is operated in a manner that causes it to draw an abnormally high current, the tool automatically stops without any indication. In this situation, turn the tool off and stop the application that caused the tool to become overloaded. Then turn the tool on to restart.

### Overheat protection

When the tool/battery is overheated, the tool stops automatically. In this situation, let the tool/battery cool before turning the tool on again.

### Overdischarge protection

When the battery capacity is not enough, the tool stops automatically. In this case, remove the battery from the tool and charge the battery.

**NOTE:** Overheat protection (for battery) will work only with batteries with star marking.

► Fig.3: 1. Star marking

## Switch action

► Fig.4: 1. Switch trigger

**CAUTION:** Before installing the battery cartridge into the tool, always check to see that the switch trigger actuates properly and returns to the "OFF" position when released.

To start the tool, simply pull the switch trigger. Tool speed is increased by increasing pressure on the switch trigger. Release the switch trigger to stop.

**NOTE:** The tool automatically stops if you keep pulling the switch trigger for about 6 minutes.


## Lighting up the front lamp

**CAUTION:** Do not look in the light or see the source of light directly.

► Fig.5: 1. Lamp

► Fig.6: 1. Button

Pull the switch trigger to turn on the lamp. To turn off, release it. The lamp goes out approximately 10 seconds after releasing the switch trigger.

To keep the lamp off, turn off the lamp status. First pull and release the switch trigger. And then press the button  for one second within 10 seconds.

To turn on the lamp status again, press the button again similarly.

**NOTE:** To confirm the lamp status, pull the trigger. When the lamp lights up by pulling the switch trigger, the lamp status is ON. When the lamp does not come on, the lamp status is OFF.

**NOTE:** When the tool is overheated, the light flashes for one minute, and then the LED display goes off. In this case, cool down the tool before operating again.

**NOTE:** Use a dry cloth to wipe the dirt off the lens of the lamp. Be careful not to scratch the lens of lamp, or it may lower the illumination.

## Reversing switch action

► Fig.7: 1. Reversing switch lever

**CAUTION:** Always check the direction of rotation before operation.

**CAUTION:** Use the reversing switch only after the tool comes to a complete stop. Changing the direction of rotation before the tool stops may damage the tool.

**CAUTION:** When not operating the tool, always set the reversing switch lever to the neutral position.

This tool has a reversing switch to change the direction of rotation. Depress the reversing switch lever from the A side for clockwise rotation or from the B side for counterclockwise rotation.

When the reversing switch lever is in the neutral position, the switch trigger cannot be pulled.



## Changing the impact force

► **Fig.8:** 1. Hard 2. Soft 3. A mode 4. Changed in three steps 5. Button

You can change the impact force in three steps: hard, soft, and A mode.




This allows a tightening suitable to the work.

Every time the button is pressed, the number of blows changes in three steps.

“A mode (assist mode)” is an easy-to-use mode for driving screws with good control.

In this mode, the tool drives a screw with low-speed rotation at first. After the tool starts to impact, the rotation speed increases and reaches the maximum speed.

You can change the impact force within approximately one minute after releasing the switch trigger.

Impact force grade displayed on panel	Maximum blows	Purpose	Example of application
Hard 	3,900 min <sup>-1</sup> (/min)	Tightening when force and speed are desired.	Tightening wood screws, tightening bolts.
Soft 	1,600 min <sup>-1</sup> (/min)	Tightening with less force to avoid screw thread breakage.	Tightening sash screws, tightening small screws such as M6.
A mode 	3,900 min <sup>-1</sup> (/min)	Tightening screws with better control.	Tightening long screws.

**NOTE:** A mode is available only when the tool rotates clockwise. When rotating counterclockwise in A mode, the impact force and speed are the same as hard mode.

**NOTE:** When all lamps on the switch panel go out, the tool is turned off to save the battery power. The impact force grade can be checked by pulling the switch trigger to the extent that the tool does not operate.

**NOTE:** While pulling the switch trigger, the impact force grade cannot be changed.

## ASSEMBLY

**CAUTION:** Always be sure that the tool is switched off and the battery cartridge is removed before carrying out any work on the tool.

### Installing or removing driver bit/socket bit

#### Optional accessory

► Fig.9

Use only driver bit/socket bit that has inserting portion shown in the figure. Do not use any other driver bit/socket bit.

#### For tool with shallow driver bit hole

A=12mm B=9mm	Use only these type of driver bit. Follow the procedure 1. (Note) Bit-piece is not necessary.
-----------------	---

#### For tool with deep driver bit hole

A=17mm B=14mm	To install these types of driver bits, follow the procedure 1.
A=12mm B=9mm	To install these types of driver bits, follow the procedure 2. (Note) Bit-piece is necessary for installing the bit.

1. To install the driver bit, pull the sleeve in the direction of the arrow and insert the driver bit into the sleeve as far as it will go.  
Then release the sleeve to secure the driver bit.

► **Fig.10:** 1. Driver bit 2. Sleeve

2. To install the driver bit, pull the sleeve in the direction of the arrow and insert the bit-piece and driver bit into the sleeve as far as it will go. The bit-piece should be inserted into the sleeve with its pointed end facing in. Then release the sleeve to secure the driver bit.

► **Fig.11:** 1. Driver bit 2. Bit-piece 3. Sleeve

To remove the driver bit, pull the sleeve in the direction of the arrow and pull the driver bit out.

**NOTE:** If the driver bit is not inserted deep enough into the sleeve, the sleeve will not return to its original position and the driver bit will not be secured. In this case, try re-inserting the bit according to the instructions above.

**NOTE:** After inserting the driver bit, make sure that it is firmly secured. If it comes out, do not use it.

## Installing hook

**CAUTION:** When installing the hook, always secure it with the screw firmly. If not, the hook may come off from the tool and result in the personal injury.

► Fig.12: 1. Groove 2. Hook 3. Screw

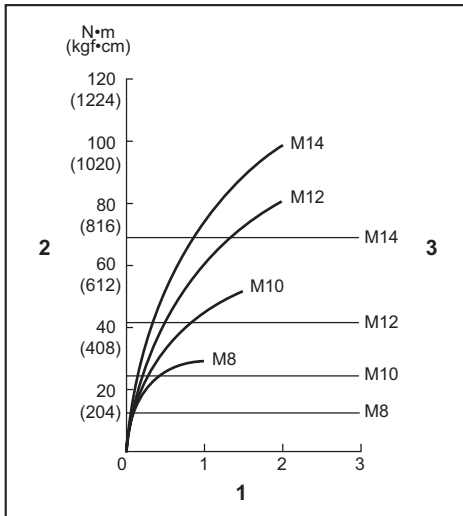
The hook is convenient for temporarily hanging the tool. This can be installed on either side of the tool. To install the hook, insert it into a groove in the tool housing on either side and then secure it with a screw. To remove, loosen the screw and then take it out.

## OPERATION

► Fig.13

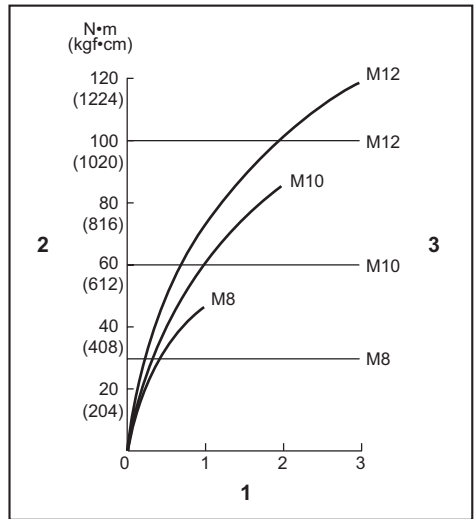
The proper fastening torque may differ depending upon the kind or size of the screw/bolt, the material of the workpiece to be fastened, etc. The relation between fastening torque and fastening time is shown in the figures.

### Standard bolt



1. Fastening time (second) 2. Fastening torque  
3. Proper fastening torque corresponding to each bolt diameter

### High tensile bolt



1. Fastening time (second) 2. Fastening torque  
3. Proper fastening torque corresponding to each bolt diameter

Hold the tool firmly and place the point of the driver bit in the screw head. Apply forward pressure to the tool to the extent that the bit will not slip off the screw and turn the tool on to start operation.

**NOTICE:** If you use a spare battery to continue the operation, rest the tool at least 15 min.

**NOTE:** Use the proper bit for the head of the screw/bolt that you wish to use.

**NOTE:** When fastening M8 or smaller screw, choose a proper impact force and carefully adjust pressure on the switch trigger so that the screw is not damaged.

**NOTE:** Hold the tool pointed straight at the screw.

**NOTE:** If the impact force is too strong or you tighten the screw for a time longer than shown in the figures, the screw or the point of the driver bit may be overstressed, stripped, damaged, etc. Before starting your job, always perform a test operation to determine the proper fastening time for your screw.

The fastening torque is affected by a wide variety of factors including the following. After fastening, always check the torque with a torque wrench.

1. When the battery cartridge is discharged almost completely, voltage will drop and the fastening torque will be reduced.
2. Driver bit or socket bit  
Failure to use the correct size driver bit or socket bit will cause a reduction in the fastening torque.

3. Bolt
  - Even though the torque coefficient and the class of bolt are the same, the proper fastening torque will differ according to the diameter of bolt.
  - Even though the diameters of bolts are the same, the proper fastening torque will differ according to the torque coefficient, the class of bolt and the bolt length.
4. The manner of holding the tool or the material of driving position to be fastened will affect the torque.
5. Operating the tool at low speed will cause a reduction in the fastening torque.

## MAINTENANCE

**⚠ CAUTION:** Always be sure that the tool is switched off and the battery cartridge is removed before attempting to perform inspection or maintenance.

**NOTICE:** Never use gasoline, benzine, thinner, alcohol or the like. Discoloration, deformation or cracks may result.

To maintain product SAFETY and RELIABILITY, repairs, any other maintenance or adjustment should be performed by Makita Authorized or Factory Service Centers, always using Makita replacement parts.

## OPTIONAL ACCESSORIES

**⚠ CAUTION:** These accessories or attachments are recommended for use with your Makita tool specified in this manual. The use of any other accessories or attachments might present a risk of injury to persons. Only use accessory or attachment for its stated purpose.

If you need any assistance for more details regarding these accessories, ask your local Makita Service Center.

- Driver bits
- Socket bits
- Bit piece
- Hook
- Tool hanger
- Plastic carrying case
- Makita genuine battery and charger
- Battery protector

**NOTE:** Some items in the list may be included in the tool package as standard accessories. They may differ from country to country.

## SPEKIFIKASI

Model:		DTD155
Kapasitas pengencangan	Sekrup mesin	4 mm - 8 mm
	Baut standar	5 mm - 14 mm
	Baut mutu tinggi	5 mm - 12 mm
Kecepatan tanpa beban	Mode hentakan keras	0 - 3.000 min <sup>-1</sup>
	Mode hentakan ringan	0 - 1.300 min <sup>-1</sup>
Hentakan per menit	Mode hentakan keras	0 - 3.900 min <sup>-1</sup>
	Mode hentakan ringan	0 - 1.600 min <sup>-1</sup>
Tegangan terukur		D.C. 18 V
Panjang keseluruhan		135 mm
Berat bersih		1,2 - 1,5 kg

- Karena kesinambungan program penelitian dan pengembangan kami, spesifikasi yang disebutkan di sini dapat berubah tanpa pemberitahuan.
- Spesifikasi dapat berbeda dari satu negara ke negara lainnya.
- Berat alat mungkin berbeda tergantung perangkat tambahan yang dipasang, termasuk kartrid baterai. Kombinasi alat terberat dan teringan, sesuai Prosedur EPTA 01/2014, ditunjukkan pada tabel.

## Kartrid dan pengisi daya baterai yang dapat digunakan

Kartrid baterai	BL1815N / BL1820 / BL1820B / BL1830 / BL1830B / BL1840 / BL1840B / BL1850 / BL1850B / BL1860B
Pengisi daya	DC18RC / DC18RD / DC18RE / DC18SD / DC18SE / DC18SF

- Beberapa kartrid baterai dan pengisi daya yang tercantum di atas mungkin tidak tersedia, tergantung wilayah tempat tinggal Anda.

**⚠ PERINGATAN:** Hanya gunakan kartrid dan pengisi daya baterai yang tercantum di atas. Penggunaan kartrid dan pengisi daya baterai lain dapat menimbulkan risiko cedera dan/atau kebakaran.

## Simbol

Berikut ini adalah simbol-simbol yang digunakan pada peralatan ini. Pastikan Anda mengerti makna masing-masing simbol sebelum menggunakan alat.



Baca petunjuk penggunaan.



Ni-MH  
Li-Ion

Hanya untuk negara-negara UE  
Jangan membuang peralatan listrik atau paket baterai bersama-sama dengan bahan limbah rumah tangga!  
Dengan memerhatikan Petunjuk Eropa, tentang Limbah Peralatan Listrik dan Elektronik serta Baterai dan Akumulator serta Limbah Baterai dan Akumulator dan pelaksanaannya sesuai dengan ketentuan hukum nasional, peralatan listrik dan baterai dan paket baterai yang telah habis umur pakainya harus dikumpulkan secara terpisah dan dikembalikan ke fasilitas daur ulang yang kompatibel secara lingkungan.

## Penggunaan

Mesin ini digunakan untuk memasang sekrup pada kayu, logam dan plastik.

## PERINGATAN KESELAMATAN

### Peringatan keselamatan umum mesin listrik

**⚠ PERINGATAN:** Bacalah semua peringatan keselamatan, petunjuk, ilustrasi dan spesifikasi yang disertakan bersama mesin listrik ini. Kelalaian untuk mematuhi semua petunjuk yang tercantum di bawah ini dapat menyebabkan sengatan listrik, kebakaran dan/atau cedera serius.

### Simpanlah semua peringatan dan petunjuk untuk acuan di masa depan.

Istilah "mesin listrik" dalam semua peringatan mengacu pada mesin listrik yang dijalankan dengan sumber listrik jala-jala (berkabel) atau baterai (tanpa kabel).

## Keselamatan tempat kerja

1. **Jaga tempat kerja selalu bersih dan berpenerangan cukup.** Tempat kerja yang berantakan dan gelap mengundang kecelakaan.
2. **Jangan gunakan mesin listrik dalam lingkungan yang mudah meledak, misalnya jika ada cairan, gas, atau debu yang mudah menyala.** Mesin listrik menimbulkan bunga api yang dapat menyalakan debu atau uap tersebut.
3. **Jauhkan anak-anak dan orang lain saat menggunakan mesin listrik.** Bila perhatian terpecah, anda dapat kehilangan kendali.

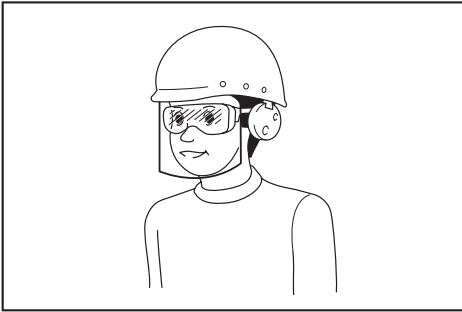
## Keamanan Kelistrikan

1. **Steker mesin listrik harus cocok dengan stopkontak. Jangan sekali-kali mengubah steker dengan cara apa pun. Jangan menggunakan steker adaptor dengan mesin listrik terbumi (dibumikan).** Steker yang tidak diubah dan stopkontak yang cocok akan mengurangi risiko sengatan listrik.
2. **Hindari sentuhan tubuh dengan permukaan terbumi atau yang dibumikan seperti pipa, radiator, kompor, dan kulkas.** Risiko sengatan listrik bertambah jika tubuh Anda terbumikan atau dibumikan.
3. **Jangan membiarkan mesin listrik kehujanan atau kebasahan.** Air yang masuk ke dalam mesin listrik akan meningkatkan risiko sengatan listrik.
4. **Jangan menyalahgunakan kabel. Jangan sekali-kali menggunakan kabel untuk membawa, menarik, atau mencabut mesin listrik dari stopkontak. Jauhkan kabel dari panas, minyak, tepian tajam, atau bagian yang bergerak.** Kabel yang rusak atau kusut memperbesar risiko sengatan listrik.
5. **Bila menggunakan mesin listrik di luar ruangan, gunakan kabel ekstensi yang sesuai untuk penggunaan di luar ruangan.** Penggunaan kabel yang sesuai untuk penggunaan luar ruangan mengurangi risiko sengatan listrik.
6. **Jika mengoperasikan mesin listrik di lokasi lembap tidak terhindarkan, gunakan pasokan daya yang dilindungi peranti imbasan arus (residual current device - RCD).** Penggunaan RCD mengurangi risiko sengatan listrik.
7. **Mesin listrik dapat menghasilkan medan magnet (EMF) yang tidak berbahaya bagi pengguna.** Namun, pengguna alat pacu jantung atau peralatan medis sejenisnya harus berkonsultasi dengan produsen peralatan tersebut dan/atau dokter mereka sebelum mengoperasikan mesin listrik ini.

## Keselamatan Diri

1. **Jaga kewaspadaan, perhatikan pekerjaan Anda dan gunakan akal sehat bila menggunakan mesin listrik. Jangan menggunakan mesin listrik saat Anda lelah atau di bawah pengaruh obat bias, alkohol, atau obat.** Sekejap saja lalai saat menggunakan mesin listrik dapat menyebabkan cedera badan serius.
2. **Gunakan alat pelindung diri. Selalu gunakan pelindung mata.** Peralatan pelindung seperti masker debu, sepatu pengaman anti-selip, helm pengaman, atau pelindung telinga yang digunakan untuk kondisi yang sesuai akan mengurangi risiko cedera badan.
3. **Cegah penyalaaan yang tidak disengaja. Pastikan bahwa sakelar berada dalam posisi mati (off) sebelum menghubungkan mesin ke sumber daya dan/atau paket baterai, atau mengangkat atau membawanya.** Membawa mesin listrik dengan jari Anda pada sakelarnya atau mengalirkan listrik pada mesin listrik yang sakelarnya hidup (on) akan mengundang kecelakaan.
4. **Lepaskan kunci-kunci penyetel sebelum menghidupkan mesin listrik.** Kunci-kunci yang masih terpasang pada bagian mesin listrik yang berputar dapat menyebabkan cedera.
5. **Jangan meraih terlalu jauh. Jagalah pijakan dan keseimbangan sepanjang waktu.** Hal ini memungkinkan kendali yang lebih baik atas mesin listrik dalam situasi yang tidak diharapkan.
6. **Kenakan pakaian yang memadai. Jangan memakai pakaian yang longgar atau perhiasan. Jaga jarak antara rambut dan pakaian Anda dengan komponen mesin yang bergerak.** Pakaian yang longgar, perhiasan, atau rambut yang panjang dapat tersangkut pada komponen yang bergerak.
7. **Jika tersedia fasilitas untuk menghisap dan mengumpulkan debu, pastikan fasilitas tersebut terhubung listrik dan digunakan dengan baik.** Penggunaan pembersih debu dapat mengurangi bahaya yang terkait dengan debu.
8. **Jangan sampai Anda lengah dan mengabaikan prinsip keselamatan mesin ini hanya karena sudah sering mengoperasikannya dan sudah merasa terbiasa.** Tindakan yang lalai dapat menyebabkan cedera berat dalam sepersekian detik saja.

9. **Selalu kenakan kacamata pelindung untuk melindungi mata dari cedera saat menggunakan mesin listrik. Kacamata harus sesuai dengan ANSI Z87.1 di Amerika Serikat, EN 166 di Eropa, atau AS/NZS 1336 di Australia/Selandia Baru. Di Australia/Selandia Baru, secara hukum Anda juga diwajibkan mengenakan pelindung wajah untuk melindungi wajah Anda.**



**Menjadi tanggung jawab atas untuk menerapkan penggunaan alat pelindung keselamatan yang tepat bagi operator mesin dan orang lain yang berada di area kerja saat itu.**

#### **Penggunaan dan pemeliharaan mesin listrik**

1. **Jangan memaksa mesin listrik. Gunakan mesin listrik yang tepat untuk keperluan Anda.** Mesin listrik yang tepat akan menuntaskan pekerjaan dengan lebih baik dan aman pada kecepatan sesuai rancangannya.
2. **Jangan gunakan mesin listrik jika sakelar tidak dapat menyala dan memastikannya.** Mesin listrik yang tidak dapat dikendalikan dengan sakelarnya adalah berbahaya dan harus diperbaiki.
3. **Cabut steker dari sumber listrik dan/atau lepas paket baterai, jika dapat dilepas, dari mesin listrik sebelum melakukan penyetelan apa pun, mengganti aksesor, atau menyimpan mesin listrik.** Langkah keselamatan preventif tersebut mengurangi risiko hidupnya mesin secara tak sengaja.
4. **Simpan mesin listrik jauh dari jangkauan anak-anak dan jangan biarkan orang yang tidak paham mengenai mesin listrik tersebut atau petunjuk ini menggunakan mesin listrik.** Mesin listrik sangat berbahaya di tangan pengguna yang tak terlatih.
5. **Rawatlah mesin listrik dan aksesor. Periksa apakah ada komponen bergerak yang tidak lurus atau macet, komponen yang pecah, dan kondisi-kondisi lain yang dapat memengaruhi pengoperasian mesin listrik. Jika rusak, perbaiki mesin listrik terlebih dahulu sebelum digunakan.** Banyak kecelakaan disebabkan oleh kurangnya pemeliharaan mesin listrik.
6. **Jaga agar mesin pemotong tetap tajam dan bersih.** Mesin pemotong yang terawat baik dengan mata pemotong yang tajam tidak mudah macet dan lebih mudah dikendalikan.
7. **Gunakan mesin listrik, aksesor, dan mata mesin, dll. sesuai dengan petunjuk ini, dengan memperhitungkan kondisi kerja dan jenis pekerjaan yang dilakukan.** Penggunaan mesin listrik untuk penggunaan yang lain dari peruntukan dapat menimbulkan situasi berbahaya.
8. **Jagalah agar gagang dan permukaan pegangan tetap kering, bersih, dan bebas dari minyak dan pelumas.** Gagang dan permukaan pegangan yang licin tidak mendukung keamanan penanganan dan pengendalian mesin dalam situasi-situasi tak terduga.
9. **Ketika menggunakan mesin, jangan menggunakan sarung tangan kain yang dapat tersangkut.** Sarung tangan kain yang tersangkut pada komponen bergerak dapat mengakibatkan cedera pada pengguna.

#### **Penggunaan dan pemeliharaan mesin bertenaga baterai**

1. **Isi ulang baterai hanya dengan pengisi daya yang ditentukan oleh pabrik.** Pengisi daya yang cocok untuk satu jenis paket baterai dapat menimbulkan risiko kebakaran ketika digunakan untuk paket baterai yang lain.
2. **Gunakan mesin listrik hanya dengan paket baterai yang telah ditentukan secara khusus.** Penggunaan paket baterai lain dapat menimbulkan risiko cedera dan kebakaran.
3. **Ketika paket baterai tidak digunakan, jauhkan dari benda logam lain, seperti penjepit kertas, uang logam, kunci, paku, sekrup atau benda logam kecil lainnya, yang dapat menghubungkan satu terminal ke terminal lain.** Hubungan singkat terminal baterai dapat menyebabkan luka bakar atau kebakaran.
4. **Pemakaian yang salah, dapat menyebabkan keluarnya cairan dari baterai; hindari kontak. Jika terjadi kontak secara tidak sengaja, bilas dengan air. Jika cairan mengenai mata, cari bantuan medis.** Cairan yang keluar dari baterai bisa menyebabkan iritasi atau luka bakar.
5. **Jangan menggunakan paket baterai atau mesin yang sudah rusak atau telah diubah.** Baterai yang rusak atau telah diubah dapat menyebabkan hal-hal yang tidak dapat diprediksi yang dapat menyebabkan kebakaran, ledakan atau risiko cedera.
6. **Jangan membiarkan paket baterai atau mesin dekat dengan api atau suhu yang berlebihan.** Paparan api atau suhu di atas 130 °C dapat menyebabkan ledakan.
7. **Ikuti semua petunjuk pengisian daya dan jangan mengisi daya paket baterai atau mesin di luar rentang suhu yang ditentukan di panduan.** Mengisi daya secara tidak tepat atau pada suhu di luar rentang yang ditentukan dapat merusak baterai dan meningkatkan risiko kebakaran.

#### **Servis**

1. **Berikan mesin listrik untuk diperbaiki hanya kepada oleh teknisi yang berkualifikasi dengan menggunakan hanya suku cadang pengganti yang serupa.** Hal ini akan menjamin terjaganya keamanan mesin listrik.

2. **Jangan pernah memperbaiki paket baterai yang sudah rusak.** Perbaiki paket baterai harus dilakukan hanya oleh produsen atau penyedia servis resmi.
3. **Patuhi petunjuk pelumasan dan penggantian aksesoris.**

### Peringatan keselamatan obeng ketok listrik tanpa kabel

1. **Pegang mesin listrik pada permukaan genggam yang terisolasi saat melakukan pekerjaan bila pengencang mungkin bersentuhan dengan kawat tersembunyi.** Pengencang yang menyentuh kawat “hidup” dapat menyebabkan bagian logam pada mesin teraliri arus listrik dan menyengat pengguna.
2. **Selalu pastikan Anda memiliki pijakan kuat.** Pastikan tidak ada orang di bawah Anda ketika menggunakan mesin di lokasi tinggi.
3. **Pegang mesin kuat-kuat.**
4. **Kenakan pelindung telinga.**
5. **Jangan menyentuh mata mesin atau benda kerja segera setelah pengoperasian.** Suhunya mungkin masih sangat panas dan dapat membakar kulit Anda.
6. **Jauhkan tangan dari bagian yang berputar.**
7. **Gunakan gagang tambahan, jika disertakan bersama mesin ini.** Kehilangan kendali dapat menyebabkan cedera.
8. **Pegang mesin listrik pada permukaan genggam yang terisolasi saat melakukan pekerjaan bila aksesoris pemotong mungkin bersentuhan dengan kawat tersembunyi.** Aksesoris pemotong yang menyentuh kawat “hidup” dapat menyebabkan bagian logam pada mesin teraliri arus listrik dan menyengat pengguna.

### SIMPAN PETUNJUK INI.

**⚠️PERINGATAN:** JANGAN biarkan kenyamanan atau terbiasanya Anda dengan produk (karena penggunaan berulang) mengurangi kepatuhan yang ketat terhadap aturan keselamatan untuk produk yang terkait.

**PENYALAHGUNAAN** atau kelalaian mematuhi kaidah keselamatan yang tertera dalam petunjuk ini dapat menyebabkan cedera badan serius.

### Petunjuk keselamatan penting untuk kartrid baterai

1. **Sebelum menggunakan kartrid baterai, bacalah semua petunjuk dan penandaan pada (1) pengisi daya baterai, (2) baterai, dan (3) produk yang menggunakan baterai.**
2. **Jangan membongkar kartrid baterai.**
3. **Jika waktu beroperasinya menjadi sangat singkat, segera hentikan penggunaan.** Hal tersebut dapat menimbulkan risiko panas berlebih, kemungkinan mengalami luka bakar atau bahkan terjadi ledakan.

4. **Jika elektrolit mengenai mata Anda, basuh dengan air bersih dan segera cari pertolongan medis.** Hal tersebut dapat mengakibatkan hilangnya kemampuan penglihatan Anda.
5. **Jangan menghubungkan terminal kartrid baterai:**

- (1) **Jangan menyentuh terminal dengan bahan penghantar listrik apa pun.**
- (2) **Hindari menyimpan kartrid baterai pada wadah yang berisi benda logam lain seperti paku, uang logam, dsb.**
- (3) **Jangan membiarkan baterai terkena air atau kehujanan.**

**Hubungan singkat baterai dapat menyebabkan aliran arus listrik yang besar, panas berlebih, kemungkinan mengalami luka bakar dan bahkan kerusakan pada baterai.**

6. **Jangan menyimpan mesin dan kartrid baterai pada lokasi dengan suhu yang bisa mencapai atau melebihi 50 °C.**
7. **Jangan membuang kartrid baterai di tempat pembakaran sampah walaupun benar-benar rusak atau tidak bisa digunakan sama sekali.** Kartrid baterai bisa meledak jika terbakar.
8. **Berhati-hatilah jangan sampai baterai jatuh atau terbentur.**
9. **Jangan menggunakan baterai yang rusak.**
10. **Baterai litium-ion yang disertakan sesuai dengan persyaratan Perundangan Makanan Berbahaya.**

Harus ada pengawasan untuk pengangkutan komersial misalnya oleh pihak ketiga, ekspeditor, persyaratan khusus terhadap pengemasan dan pelabelan.

Diperlukan adanya konsultasi dengan ahli mengenai material berbahaya untuk persiapan barang yang akan dikirimkan. Perhatikan pula peraturan nasional yang lebih terperinci yang mungkin ada.

Beri perekat atau tutupi bagian yang terbuka dan kemasi baterai dengan cara yang tidak akan menimbulkan pergeseran dalam pengemasan.

11. **Patuhi peraturan setempat yang berkaitan dengan pembuangan baterai.**
12. **Gunakan baterai hanya dengan produk yang ditentukan oleh Makita.** Memasang baterai pada produk yang tidak sesuai dapat menyebabkan kebakaran, kelebihan panas, ledakan, atau kebocoran elektrolit.

### SIMPAN PETUNJUK INI.

**⚠️PERHATIAN:** Gunakan baterai asli Makita.

Penggunaan baterai Makita yang tidak asli, atau baterai yang sudah diubah, akan mengakibatkan baterai mudah terbakar, cedera dan kerusakan. Akan menghilangkan garansi Makita pada pengisi daya dan alat Makita.

### Tip untuk menjaga agar umur pemakaian baterai maksimum

1. **Isi ulang kartrid baterai sebelum habis sama sekali.** Selalu hentikan penggunaan mesin dan ganti kartrid baterai jika Anda melihat bahwa mesin kurang tenaga.

2. Jangan pernah mengisi ulang kartrid baterai yang sudah diisi penuh. Pengisian ulang yang berlebih memperpendek umur pemakaian baterai.
3. Isi ulang kartrid baterai pada suhu ruangan 10 °C - 40 °C. Biarkan kartrid baterai yang panas menjadi dingin terlebih dahulu sebelum diisi ulang.
4. Isi ulang daya kartrid baterai jika Anda tidak menggunakannya untuk jangka waktu yang lama (lebih dari enam bulan).

## DESKRIPSI FUNGSI

**⚠PERHATIAN:** Selalu pastikan bahwa mesin dimatikan dan kartrid baterai dilepas sebelum menyatel atau memeriksa kerja mesin.

### Memasang atau melepas baterai

**⚠PERHATIAN:** Selalu matikan mesin sebelum memasang atau melepas kartrid baterai.

**⚠PERHATIAN:** Pegang mesin dan kartrid baterai kuat-kuat saat memasang atau melepas kartrid baterai. Kelalaian untuk memegang mesin dan kartrid baterai kuat-kuat bisa menyebabkan keduanya tergelincir dari tangan Anda dan mengakibatkan kerusakan pada mesin dan kartrid baterai dan cedera diri.

- **Gbr.1:** 1. Indikator berwarna merah 2. Tombol 3. Kartrid baterai

Untuk melepas kartrid baterai, geser dari mesin sambil menggeser tombol pada bagian depan kartrid.

Untuk memasang kartrid baterai, sejajarkan lidah kartrid baterai dengan alur pada rumah dan masukkan ke dalam tempatnya. Masukkan seluruhnya sampai terkunci pada tempatnya dan terdengar bunyi klik kecil. Jika Anda bisa melihat indikator berwarna merah pada sisi atas tombol, berarti tidak terkunci sepenuhnya.

**⚠PERHATIAN:** Selalu pasang kartrid baterai sepenuhnya sampai indikator berwarna merah tidak terlihat. Jika tidak, bisa terlepas dari mesin secara tidak sengaja, menyebabkan luka pada Anda atau orang di sekitar Anda.

**⚠PERHATIAN:** Jangan memasang kartrid baterai secara paksa. Jika kartrid tidak bergeser dengan mudah, berarti tidak dimasukkan dengan benar.

## Mengindikasikan kapasitas baterai yang tersisa

**Hanya untuk kartrid baterai dengan indikator**

► **Gbr.2:** 1. Lampu indikator 2. Tombol pemeriksaan

Tekan tombol pemeriksaan pada kartrid baterai untuk melihat kapasitas baterai yang tersisa. Lampu indikator menyala selama beberapa detik.

Lampu indikator			Kapasitas yang tersisa
Menyala	Mati	Berkedip	
■ ■ ■ ■			75% hingga 100%
■ ■ ■ □			50% hingga 75%
■ ■ □ □			25% hingga 50%
■ □ □ □			0% hingga 25%
▣ □ □ □			Isi ulang baterai.
■ ■ □ □			Baterai mungkin sudah rusak.
□ □ ■ ■			

**CATATAN:** Tergantung kondisi penggunaan dan suhu lingkungannya, penunjukkan mungkin saja sedikit berbeda dari kapasitas sebenarnya.

## Sistem perlindungan mesin / baterai

Mesin ini dilengkapi dengan sistem perlindungan mesin/ baterai. Sistem ini memutus daya ke motor secara otomatis untuk memperpanjang umur pakai mesin dan baterai. Mesin akan berhenti secara otomatis saat dioperasikan jika mesin atau baterai mengalami salah satu dari kondisi-kondisi berikut ini:

### Perlindungan kelebihan beban

Jika baterai digunakan dengan cara yang membuat baterai menarik arus tinggi berlebihan, mesin akan berhenti secara otomatis tanpa peringatan sebelumnya. Dalam situasi ini, matikan mesin dan hentikan pekerjaan yang menyebabkan mesin mengalami kelebihan beban. Kemudian, nyalakan mesin untuk kembali melanjutkan pekerjaan.

### Perlindungan panas berlebih

Saat mesin/baterai terlalu panas, mesin akan berhenti secara otomatis. Dalam situasi ini, biarkan mesin/ baterai mendingin sebelum dinyalakan kembali.



## Perlindungan pengisian daya berlebih

Ketika kapasitas baterai tidak cukup, mesin akan berhenti secara otomatis. Dalam kondisi ini, lepaskan baterai dari mesin dan isi ulang baterai.

**CATATAN:** Perlindungan panas (untuk baterai) hanya akan berfungsi pada baterai dengan tanda bintang.

► **Gbr.3:** 1. Tanda bintang

## KERJA sakelar

► **Gbr.4:** 1. Picu sakelar

**PERHATIAN:** Sebelum memasukkan kartrid baterai pada mesin, pastikan picu saklar berfungsi dengan baik dan kembali ke posisi "OFF" saat dilepas.

Untuk menjalankan mesin, cukup tarik picu saklarnya. Kecepatan mesin meningkat dengan menambah tekanan pada picu saklar. Lepaskan picu sakelar untuk berhenti.

**CATATAN:** Mesin akan berhenti secara otomatis jika Anda tetap menarik picu sakelar selama kira-kira 6 menit.


## Menyalakan lampu depan

**PERHATIAN:** Jangan melihat lampu atau sumber cahaya secara langsung.

► **Gbr.5:** 1. Lampu

► **Gbr.6:** 1. Tombol

Tarik pelatuk sakelar untuk menyalakan lampu. Untuk mematikan, lepas sakelarnya. Lampu akan padam kira-kira 10 detik setelah melepas pelatuk sakelar.

Untuk memastikan agar lampu tetap padam, matikan status lampu. Tarik terlebih dahulu dan lepaskan pelatuk sakelar. Kemudian, tekan tombol  selama satu detik dalam jangka waktu 10 detik.

Untuk menyalakan kembali status lampu, tekan kembali tombol tersebut dengan cara yang sama.

**CATATAN:** Untuk mengonfirmasi status lampu, tarik picunya. Ketika lampu menyala dengan menarik picu saklar, status lampu dalam kondisi ON. Ketika lampu tidak menyala, status lampu dalam kondisi OFF.

**CATATAN:** Saat mesin mengalami kelebihan panas, lampu berkedip selama satu menit, dan kemudian tampilan LED akan padam. Untuk kasus ini, biarkan baterai menjadi dingin sebelum digunakan lagi.

**CATATAN:** Gunakan kain kering untuk mengelap kotoran dari lensa lampu. Hati-hati jangan sampai menggores lensa lampu, atau hal tersebut dapat menurunkan tingkat penerangannya.

## KERJA saklar pembalik arah

► **Gbr.7:** 1. Tuas saklar pembalik arah

**PERHATIAN:** Selalu periksa arah putaran sebelum penggunaan.

**PERHATIAN:** Gunakan saklar pembalik arah hanya setelah mesin benar-benar berhenti. Mengubah arah putaran sebelum mesin berhenti dapat merusak mesin.

**PERHATIAN:** Saat mesin tidak digunakan, selalu posisikan tuas saklar pembalik arah pada posisi netral.

Mesin ini memiliki saklar pembalik arah untuk mengubah arah putaran. Tekan tuas saklar pembalik arah dari sisi A untuk putaran searah jarum jam atau dari sisi B untuk putaran berlawanan arah jarum jam. Ketika tuas saklar pembalik arah pada posisi netral, picu saklar tidak bisa ditarik.

## Mengubah kekuatan hentakan

► **Gbr.8:** 1. Keras 2. Lunak 3. Mode A 4. Diubah dalam tiga tahap 5. Tombol

Anda dapat mengubah kekuatan hentakan dalam tiga tahap: keras, lunak, dan mode A.


Hal ini membuat pemasangan dapat disesuaikan dengan pengerjaan.

Setiap kali tombol ditekan, jumlah hembusan berubah dalam tiga tahap.

"Mode A (mode bantuan)" adalah mode yang mudah digunakan untuk menggerakkan sekrup dengan kontrol yang baik.

Pada mode ini, mula-mula mesin akan menggerakkan sekrup dengan kecepatan putar rendah. Setelah mesin mulai menghentak, kecepatan putaran akan bertambah dan akan mencapai kecepatan maksimal.

Anda dapat mengubah kekuatan hentakan dalam setidaknya satu menit setelah melepas pelatuk sakelar.

Tingkat kekuatan hentakan ditampilkan pada panel	Hembusan maksimum	Kegunaan	Contoh penerapan
Keras 	3.900 min <sup>-1</sup> (/min)	Pengencangan pada kekuatan dan kecepatan yang diinginkan.	Sekrup kayu pengencangan, baut pengencangan.
Ringan 	1.600 min <sup>-1</sup> (/min)	Untuk melakukan pemasangan dengan kekuatan lebih rendah untuk menghindari kerusakan pada ulir sekrup.	Untuk memasang sekrup ikat, memasang sekrup kecil seperti M6.
Mode A 	3.900 min <sup>-1</sup> (/min)	Untuk memasang sekrup dengan kontrol lebih baik.	Untuk memasang sekrup panjang.

**CATATAN:** Mode A hanya tersedia ketika alat berputar searah jarum jam. Ketika berputar berlawanan dengan arah jarum jam pada mode A, kekuatan hentakan dan kecepatan akan sama dengan mode keras.

**CATATAN:** Saat semua lampu pada panel sakelar mati, mesin akan mati untuk menghemat daya baterai. Tingkat kekuatan hentakan dapat diperiksa dengan menarik pelatuk sakelar hingga mesin tidak bekerja.

**CATATAN:** Selama pelatuk sakelar ditarik, tingkat kekuatan hentakan tidak dapat diubah.

## PERAKITAN

**⚠ PERHATIAN:** Selalu pastikan bahwa mesin dimatikan dan kartrid baterai dilepas sebelum melakukan pekerjaan apa pun pada mesin.

### Memasang atau melepas mata obeng/mata soket

#### Pilihan Aksesori

► **Gbr.9**

Gunakan hanya mata obeng/mata soket yang memiliki ujung pencekaman seperti ditunjukkan pada gambar. Jangan gunakan mata obeng/mata soket lain.

#### Untuk mesin dengan lubang mata obeng yang dangkal

A=12mm B=9mm	Gunakan hanya mata obeng jenis ini. Ikuti prosedur 1. (Catatan) Tidak diperlukan ganjal mata mesin.
-----------------	---

#### Untuk mesin dengan lubang mata obeng yang dalam

A=17mm B=14mm	Untuk memasang mata obeng jenis ini, ikuti prosedur 1.
A=12mm B=9mm	Untuk memasang mata obeng jenis ini, ikuti prosedur 2. (Catatan) Diperlukan ganjal mata mesin untuk memasang mata mesin tersebut.

1. Untuk memasang mata obeng, tarik selongsong sesuai arah panah dan masukkan mata obeng ke dalam selongsong sejauh mungkin. Kemudian lepaskan selongsong untuk mengencangkan mata obeng.

► **Gbr.10:** 1. Mata obeng 2. Selongsong

2. Untuk memasang mata mesin, tarik selongsong sesuai arah panah dan masukkan ganjal mata mesin dan mata obeng ke dalam selongsong sejauh mungkin. Ganjal mata mesin harus dimasukkan ke dalam selongsong dengan ujung lancipnya menghadap ke dalam. Kemudian lepas selongsong untuk mengencangkan mata obeng.

► **Gbr.11:** 1. Mata obeng 2. Ganjal mata mesin 3. Selongsong

Untuk melepas mata obeng, tarik selongsong sesuai arah panah dan cabut mata mesin.

**CATATAN:** Jika mata obeng tidak dimasukkan penuh ke dalam selongsong, selongsong tidak akan kembali pada posisi semula dan mata mesin tidak terpasang. Untuk kasus ini, coba masukkan kembali mata mesin sesuai dengan petunjuk di atas.

**CATATAN:** Setelah memasukkan mata obeng, pastikan terpasang dengan kuat. Jika menonjol keluar, jangan digunakan.

## Memasang kait

**PERHATIAN:** Ketika memasang kait, selalu kencangkan sekrup kuat-kuat. Jika tidak, kait mungkin akan terlepas dari alat dan mengakibatkan cedera badan.

► **Gbr.12:** 1. Alur 2. Kait 3. Sekrup

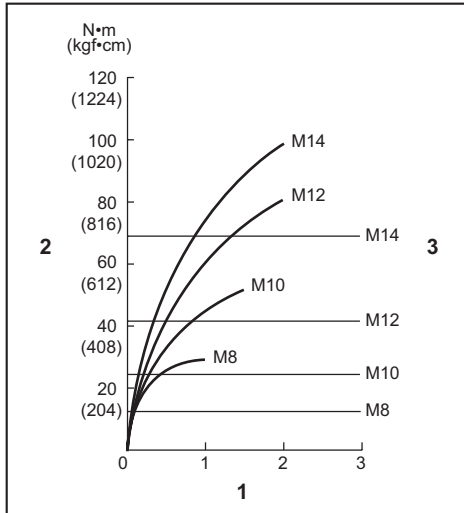
Kait bisa digunakan untuk menggantung mesin sementara. Bisa dipasang pada salah satu sisi mesin. Untuk memasang kait, masukkan ke dalam alur pada rumah mesin pada salah satu sisinya dan kemudian kencangkan dengan sekrup. Untuk melepaskannya, kendurkan sekrup dan kemudian tarik keluar.

## PENGUNAAN

► **Gbr.13**

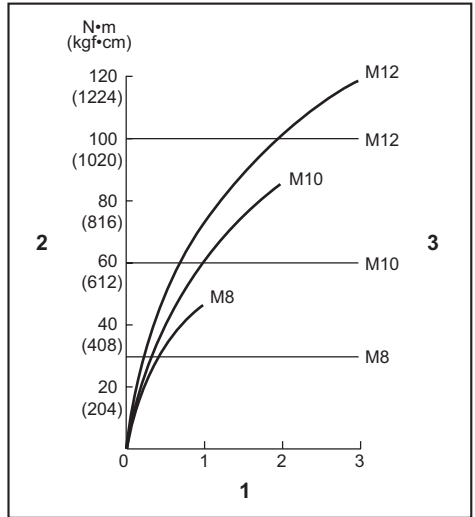
Torsi pengencangan yang tepat bisa berbeda tergantung pada macam atau ukuran sekrup/baut, bahan benda kerja yang akan dikencangkan, dsb. Hubungan antara torsi pengencangan dan waktu pengencangan ditunjukkan pada gambar.

**Baut standar**



1. Waktu pengencangan (detik) 2. Torsi pengencangan 3. Torsi pengencangan yang tepat sesuai dengan setiap diameter baut

## Baut mutu tinggi



1. Waktu pengencangan (detik) 2. Torsi pengencangan 3. Torsi pengencangan yang tepat sesuai dengan setiap diameter baut

Pegang mesin kuat-kuat dan posisikan ujung mata obeng pada kepala sekrup. Tekan maju mesin sampai titik di mana mata obeng tidak tergelincir dan nyalakan mesin untuk memulai penggunaan.

**PEMBERITAHUAN:** Jika Anda menggunakan baterai terpisah untuk melanjutkan pengerjaan, istirahatkan mesin sedikitnya selama 15 menit.

**CATATAN:** Gunakan mata mesin yang sesuai untuk kepala sekrup/baut yang ingin Anda gunakan.

**CATATAN:** Ketika mengencangkan sekrup M8 atau yang lebih kecil, pilih kekuatan hentakan yang tepat, dan sesuaikan tekanan pada picu saklar dengan seksama sehingga tidak merusak sekrup.

**CATATAN:** Tahan mesin pada posisi tegak lurus terhadap sekrup.

**CATATAN:** Jika kekuatan hentakan terlalu kuat atau Anda mengencangkan sekrup untuk waktu yang lebih lama dari yang ditunjukkan pada gambar, sekrup atau ujung mata obeng bisa mengalami kelebihan tekanan, terlepas, rusak, dsb. Sebelum memulai pekerjaan Anda, selalu lakukan uji-coba untuk menentukan waktu yang sesuai bagi sekrup Anda.

Torsi pengencangan dipengaruhi oleh berbagai macam faktor termasuk hal-hal berikut ini. Setelah pengencangan, selalu periksa torsi dengan kunci torsi.

1. Ketika kartrid baterai hampir benar-benar habis, tegangan akan turun dan torsi pengencangan akan berkurang.
2. Mata obeng atau mata soket  
Kesalahan penggunaan mata obeng atau mata soket dengan ukuran yang tepat akan menyebabkan penurunan torsi pengencangan.

3. Baut
  - Walaupun koefisien torsi dan kelas bautnya sama, torsi pengencangan yang tepat akan berbeda sesuai dengan diameter baut.
  - Walaupun diameter bautnya sama, torsi pengencangan yang tepat akan berbeda sesuai dengan koefisien torsi, kelas baut dan panjang baut.
4. Sikap ketika memegang mesin atau posisi bahan yang akan dipasang sekrup akan mempengaruhi torsi.
5. Menggunakan mesin pada kecepatan rendah akan menyebabkan penurunan torsi pengencangan.

## PERAWATAN

**⚠ PERHATIAN:** Selalu pastikan bahwa mesin dimatikan dan kartrid baterai dilepas sebelum melakukan pemeriksaan atau perawatan.

**PEMBERITAHUAN:** Jangan sekali-kali menggunakan bensin, tiner, alkohol, atau bahan sejenisnya. Penggunaan bahan demikian dapat menyebabkan perubahan warna, perubahan bentuk atau timbulnya retakan.

Untuk menjaga KEAMANAN dan KEANDALAN mesin, perbaikan, perawatan atau penyetelan lainnya harus dilakukan oleh Pusat Layanan Resmi atau Pabrik Makita; selalu gunakan suku cadang pengganti buatan Makita.

## AKSESORI PILIHAN

**⚠ PERHATIAN:** Dianjurkan untuk menggunakan aksesori atau perangkat tambahan ini dengan mesin Makita Anda yang ditentukan dalam petunjuk ini. Penggunaan aksesori atau perangkat tambahan lain bisa menyebabkan risiko cedera pada manusia. Hanya gunakan aksesori atau perangkat tambahan sesuai dengan peruntukannya.

Jika Anda memerlukan bantuan lebih rinci berkenaan dengan aksesori ini, tanyakan pada Pusat Layanan Makita terdekat.

- Mata obeng
- Mata soket
- Ganjal mata mesin
- Kait
- Gantungan mesin
- Tas jinjing plastik
- Baterai dan pengisi daya asli buatan Makita
- Pelindung baterai

**CATATAN:** Beberapa item dalam daftar tersebut mungkin sudah termasuk dalam paket mesin sebagai aksesori standar. Hal tersebut dapat berbeda dari satu negara ke negara lainnya.

## THÔNG SỐ KỸ THUẬT

Kiểu máy:		DTD155
Khả năng vận xiết	Vít máy	4 mm - 8 mm
	Bu-lông thường	5 mm - 14 mm
	Bu-lông cường độ cao	5 mm - 12 mm
Tốc độ không tải	Chế độ bắt vít mạnh	0 - 3.000 min <sup>-1</sup>
	Chế độ bắt vít nhẹ	0 - 1.300 min <sup>-1</sup>
Số lần vận mỗi phút	Chế độ bắt vít mạnh	0 - 3.900 min <sup>-1</sup>
	Chế độ bắt vít nhẹ	0 - 1.600 min <sup>-1</sup>
Điện áp định mức		18 V một chiều
Chiều dài tổng thể		135 mm
Khối lượng tịnh		1,2 - 1,5 kg

- Do chương trình nghiên cứu và phát triển liên tục của chúng tôi nên các thông số kỹ thuật trong đây có thể thay đổi mà không cần thông báo trước.
- Các thông số kỹ thuật có thể thay đổi tùy theo từng quốc gia.
- Khối lượng có thể khác nhau tùy thuộc vào (các) phụ kiện, bao gồm cả hộp pin. Tổ hợp nhẹ nhất và nặng nhất, theo Quy trình EPTA 01/2014, được trình bày trong bảng.

### Hộp pin và sạc pin có thể áp dụng

Hộp pin	BL1815N / BL1820 / BL1820B / BL1830 / BL1830B / BL1840 / BL1840B / BL1850 / BL1850B / BL1860B
Bộ sạc	DC18RC / DC18RD / DC18RE / DC18SD / DC18SE / DC18SF

- Một số hộp pin và sạc pin được nêu trong danh sách ở trên có thể không khả dụng tùy thuộc vào khu vực cư trú của bạn.

**⚠ CẢNH BÁO:** Chỉ sử dụng hộp pin và sạc pin được nêu trong danh sách ở trên. Việc sử dụng bất cứ hộp pin và sạc pin nào khác có thể gây ra thương tích và/hoặc hỏa hoạn.

### Ký hiệu

Phản dưới đây cho biết các ký hiệu được dùng cho thiết bị. Đảm bảo rằng bạn hiểu rõ ý nghĩa của các ký hiệu này trước khi sử dụng.



Đọc tài liệu hướng dẫn.



Chỉ dành cho các quốc gia EU  
Không tháo bỏ thiết bị điện hoặc bộ pin cùng với các chất thải sinh hoạt!  
Để tuân thủ các Chỉ thị của Châu Âu về thiết bị điện và điện tử thải bỏ, và về pin và ắc quy và pin và ắc quy thải bỏ, và thi hành những chỉ thị này phù hợp với luật lệ quốc gia, các thiết bị điện tử và pin và (các) bộ pin không còn sử dụng được nữa phải được thu nhặt riêng và đưa trở lại một cơ sở tái chế tương thích với môi trường.

### Mục đích sử dụng

Dụng cụ này dùng để bắt vít vào gỗ, kim loại và nhựa.

## CẢNH BÁO AN TOÀN

### Cảnh báo an toàn chung dành cho dụng cụ máy

**⚠ CẢNH BÁO:** Xin đọc tất cả các cảnh báo an toàn, hướng dẫn, minh họa và thông số kỹ thuật đi kèm với dụng cụ máy này. Việc không tuân theo các hướng dẫn được liệt kê dưới đây có thể dẫn đến điện giật, hỏa hoạn và/hoặc thương tích nghiêm trọng.

### Lưu giữ tất cả cảnh báo và hướng dẫn để tham khảo sau này.

Thuật ngữ "dụng cụ máy" trong các cảnh báo đề cập đến dụng cụ máy (có dây) được vận hành bằng nguồn điện chính hoặc dụng cụ máy (không dây) được vận hành bằng pin của bạn.

#### An toàn tại nơi làm việc

1. **Giữ nơi làm việc sạch sẽ và có đủ ánh sáng.**  
Nơi làm việc bừa bộn hoặc tối thường dễ gây ra tai nạn.

2. **Không vận hành dụng cụ máy trong môi trường cháy nổ, ví dụ như môi trường có sự hiện diện của các chất lỏng, khí hoặc bụi dễ cháy.** Các dụng cụ máy tạo tia lửa điện có thể làm bụi hoặc khí bốc cháy.
3. **Giữ trẻ em và người ngoài tránh xa nơi làm việc khi đang vận hành dụng cụ máy.** Sự xao lãng có thể khiến bạn mất khả năng kiểm soát.

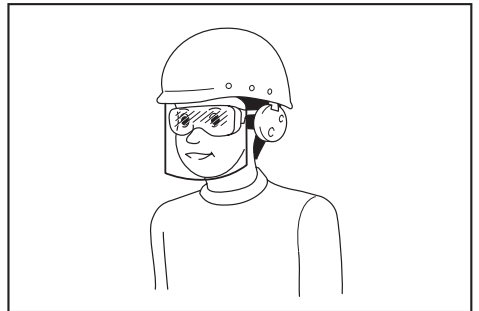
#### An toàn về Điện

1. **Phích cắm của dụng cụ máy phải khớp với ổ cắm. Không được sửa đổi phích cắm theo bất kỳ cách nào. Không sử dụng bất kỳ phích chuyển đổi nào với các dụng cụ máy được nối đất (tiếp đất).** Các phích cắm còn nguyên vẹn và ổ cắm phù hợp sẽ giảm nguy cơ điện giật.
2. **Tránh để cơ thể tiếp xúc với các bề mặt nóng đất hoặc tiếp đất như đường ống, bộ tản nhiệt, bếp ga và tủ lạnh.** Nguy cơ bị điện giật sẽ tăng lên nếu cơ thể bạn được nối đất hoặc tiếp đất.
3. **Không để dụng cụ máy tiếp xúc với mưa hoặc trong điều kiện ẩm ướt.** Nước lọt vào dụng cụ máy sẽ làm tăng nguy cơ điện giật.
4. **Không lạm dụng dây điện. Không được phép sử dụng dây để mang, kéo hoặc tháo phích cắm dụng cụ máy. Giữ dây tránh xa nguồn nhiệt, dầu, các mép sắc hoặc các bộ phận chuyển động.** Dây bị hỏng hoặc bị rối sẽ làm tăng nguy cơ điện giật.
5. **Khi vận hành dụng cụ máy ngoài trời, hãy sử dụng dây kéo dài phù hợp cho việc sử dụng ngoài trời.** Việc dùng dây phù hợp cho việc sử dụng ngoài trời sẽ giảm nguy cơ điện giật.
6. **Nếu bắt buộc phải vận hành dụng cụ máy ở nơi ẩm ướt, hãy sử dụng nguồn cấp điện được bảo vệ bằng thiết bị ngắt dòng điện rò (RCD).** Việc sử dụng RCD sẽ làm giảm nguy cơ điện giật.
7. **Các dụng cụ máy có thể tạo ra từ trường điện (EMF) có hại cho người dùng.** Tuy nhiên, người dùng máy trợ tim và những thiết bị y tế tương tự khác nên liên hệ với nhà sản xuất thiết bị và/hoặc bác sỹ để được tư vấn trước khi vận hành dụng cụ này.

#### An toàn Cá nhân

1. **Luôn tỉnh táo, quan sát những việc bạn đang làm và sử dụng những phán đoán theo kinh nghiệm khi vận hành dụng cụ máy. Không sử dụng dụng cụ máy khi bạn đang mệt mỏi hoặc chịu ảnh hưởng của ma túy, rượu hay thuốc.** Chỉ một khoảnh khắc không tập trung khi đang vận hành dụng cụ máy cũng có thể dẫn đến thương tích cá nhân nghiêm trọng.
2. **Sử dụng thiết bị bảo hộ cá nhân. Luôn đeo thiết bị bảo vệ mắt.** Các thiết bị bảo hộ như mũ bảo hộ chống bụi, giày an toàn chống trượt, mũ bảo hộ hay thiết bị bảo vệ thính giác được sử dụng trong các điều kiện thích hợp sẽ giúp giảm thương tích cá nhân.
3. **Tránh vô tình khởi động dụng cụ máy. Đám bảo công tắc ở vị trí off (tắt) trước khi nối nguồn điện và/hoặc bộ pin, cắm hoặc di chuyển dụng cụ máy.** Việc di chuyển dụng cụ máy khi đang đặt ngón tay ở vị trí công tắc hoặc cấp điện cho dụng cụ máy đang bật thường dễ gây ra tai nạn.

4. **Tháo tất cả các khóa hoặc cờ lê điều chỉnh trước khi bật dụng cụ máy.** Việc cờ lê hoặc khóa vẫn còn gắn vào bộ phận quay của dụng cụ máy có thể dẫn đến thương tích cá nhân.
5. **Không vớ quá cao. Luôn giữ thẳng bằng tốt và có chỗ để chân phù hợp.** Điều này cho phép điều khiển dụng cụ máy tốt hơn trong những tình huống bất ngờ.
6. **Ăn mặc phù hợp. Không mặc quần áo rộng hay đeo đồ trang sức. Giữ tóc và quần áo tránh xa các bộ phận chuyển động.** Quần áo rộng, đồ trang sức hay tóc dài có thể mắc vào các bộ phận chuyển động.
7. **Nếu các thiết bị được cung cấp để kết nối các thiết bị thu gom và hút bụi, hãy đảm bảo chúng được kết nối và sử dụng hợp lý.** Việc sử dụng thiết bị thu gom bụi có thể làm giảm những mối nguy hiểm liên quan đến bụi.
8. **Không vì quen thuộc do thường xuyên sử dụng các dụng cụ mà cho phép bạn trở nên tự mãn và bỏ qua các nguyên tắc an toàn dụng cụ.** Một hành động bất cẩn có thể gây ra thương tích nghiêm trọng trong một phần của một giây.
9. **Luôn luôn mang kính bảo hộ để bảo vệ mắt khỏi bị thương khi đang sử dụng các dụng cụ máy. Kính bảo hộ phải tuân thủ ANSI Z87.1 ở Mỹ, EN 166 ở Châu Âu, hoặc AS/NZS 1336 ở Úc/New Zealand. Tại Úc/New Zealand, theo luật pháp, bạn cũng phải mang mặt nạ che mặt để bảo vệ mặt.**



**Trách nhiệm của chủ lao động là bắt buộc người vận hành dụng cụ và những người khác trong khu vực làm việc cạnh đó phải sử dụng các thiết bị bảo hộ an toàn thích hợp.**

#### Sử dụng và bảo quản dụng cụ máy

1. **Không dùng lực đối với dụng cụ máy. Sử dụng đúng dụng cụ máy cho công việc của bạn.** Sử dụng đúng dụng cụ máy sẽ giúp tiết kiệm thời gian công việc tốt hơn và an toàn hơn theo giá trị định mức được thiết kế của dụng cụ máy đó.
2. **Không sử dụng dụng cụ máy nếu công tắc không bật và tắt được dụng cụ máy đó.** Mọi dụng cụ máy không thể điều khiển được bằng công tắc đều rất nguy hiểm và phải được sửa chữa.

- Rút phích cắm ra khỏi nguồn điện và/hoặc tháo kết nối bộ pin khỏi dụng cụ máy, nếu có thể tháo rời trước khi thực hiện bất kỳ công việc điều chỉnh, thay đổi phụ tùng hay cất giữ dụng cụ máy nào.** Những biện pháp an toàn phòng ngừa này sẽ giảm nguy cơ vô tình khởi động dụng cụ máy.
- Cất giữ các dụng cụ máy không sử dụng ngoài tầm với của trẻ em và không cho bất kỳ người nào không có hiểu biết về dụng cụ máy hoặc các hướng dẫn này vận hành dụng cụ máy.** Dụng cụ máy sẽ rất nguy hiểm nếu được sử dụng bởi những người dùng chưa qua đào tạo.
- Bảo dưỡng dụng cụ máy và các phụ kiện.** Kiểm tra tình trạng lịch trực hoặc bộ kẹp của các bộ phận chuyển động, hiện tượng nứt vỡ của các bộ phận và mọi tình trạng khác mà có thể ảnh hưởng đến hoạt động của dụng cụ máy. Nếu có hỏng hóc, hãy sửa chữa dụng cụ máy trước khi sử dụng. Nhiều tai nạn xảy ra là do không bảo quản tốt dụng cụ máy.
- Luôn giữ cho dụng cụ cất được sắc bén và sạch sẽ.** Những dụng cụ cất được bảo quản tốt có mức cất sắc sẽ ít bị kẹt hơn và dễ điều khiển hơn.
- Sử dụng dụng cụ máy, phụ tùng và đầu dụng cụ cắt, v.v... theo các hướng dẫn này, có tính đến điều kiện làm việc và công việc được thực hiện.** Việc sử dụng dụng cụ máy cho các công việc khác với công việc dự định có thể gây nguy hiểm.
- Giữ tay cầm và bề mặt tay cầm khô, sạch, không dính dầu và mỡ.** Tay cầm trơn trượt và bề mặt tay cầm không cho phép xử lý an toàn và kiểm soát dụng cụ trong các tình huống bất ngờ.
- Khi sử dụng dụng cụ, không được đi giày tay lao động bằng vải, có thể bị vướng.** Việc gang tay lao động bằng vải vướng vào các bộ phận chuyển động có thể gây ra thương tích cá nhân.

- Sử dụng và bảo quản dụng cụ dùng pin**
- Chỉ sạc pin lại với bộ sạc do nhà sản xuất quy định.** Bộ sạc phù hợp với một loại bộ pin này có thể gây ra nguy cơ hỏa hoạn khi được dùng cho một bộ pin khác.
  - Chỉ sử dụng các dụng cụ máy với các bộ pin được quy định cụ thể.** Việc sử dụng bất cứ bộ pin nào khác có thể gây ra thương tích và hỏa hoạn.
  - Khi không sử dụng bộ pin, hãy giữ tránh xa các đồ vật khác bằng kim loại, chẳng hạn như kẹp giấy, tiền xu, chìa khóa, đinh, ốc vít hoặc các vật nhỏ bằng kim loại mà có thể làm nổi tất các đầu cực pin.** Các đầu cực pin bị đoản mạch có thể gây cháy hoặc hỏa hoạn.
  - Trong điều kiện sử dụng quá mức, pin có thể bị chảy nước; hãy tránh tiếp xúc.** Nếu vô tình tiếp xúc với pin bị chảy nước, hãy rửa sạch bằng nước. Nếu dung dịch từ pin tiếp xúc với mắt, cần đi khám bác sĩ thêm. Dung dịch chảy ra từ pin có thể gây rát da hoặc bỏng.
  - Không sử dụng bộ pin hoặc dụng cụ bị hư hỏng hoặc đã bị sửa đổi.** Pin đã bị hư hỏng hoặc đã bị sửa đổi có thể hành động theo cách không thể đoán trước dẫn đến cháy, nổ hoặc nguy cơ chấn thương.

- Không để bộ pin hoặc dụng cụ tiếp xúc với lửa hoặc nhiệt độ quá cao.** Tiếp xúc với lửa hoặc nhiệt độ trên 130 °C có thể gây ra cháy nổ.
- Làm theo tất cả các hướng dẫn sạc pin và không được sạc bộ pin hoặc dụng cụ vượt giới hạn nhiệt độ quy định trong hướng dẫn.** Sạc pin không đúng hoặc ở nhiệt độ vượt giới hạn nhiệt độ có thể gây hư hỏng cho pin và làm tăng nguy cơ cháy.

#### Bảo dưỡng

- Đề nghị viên sửa chữa đủ trình độ bảo dưỡng dụng cụ máy của bạn và chỉ sử dụng các bộ phận thay thế đồng nhất.** Việc này sẽ đảm bảo duy trì được độ an toàn của dụng cụ máy.
- Không bao giờ sử dụng bộ pin đã hỏng.** Dịch vụ bảo hành bộ pin chỉ nên thực hiện bởi nhà sản xuất hoặc các nhà cung cấp dịch vụ được ủy quyền.
- Tuân theo hướng dẫn dành cho việc bôi trơn và thay phụ tùng.**

### Các cảnh báo an toàn cho máy bắt vít chạy pin

- Cầm dụng cụ máy tại bề mặt kẹp cách điện khi thực hiện một thao tác trong đó bộ phận kẹp có thể tiếp xúc với dây dẫn điện kín bên dưới.** Bộ phận kẹp tiếp xúc với dây dẫn "có điện" có thể khiến các bộ phận kim loại bị hở của dụng cụ máy "có điện" và làm cho người vận hành bị điện giật.
- Luôn chắc chắn rằng bạn có chỗ tựa chân vững chắc.**  
**Đảm bảo rằng không có ai ở bên dưới khi sử dụng dụng cụ ở những vị trí trên cao.**
- Cầm chắc dụng cụ.**
- Đeo thiết bị bảo vệ tai.**
- Không chạm vào mũi khoan hoặc phiôi gia công ngay sau khi vận hành.** Chúng có thể rất nóng và có thể gây bỏng da.
- Giữ tay tránh xa các bộ phận quay.**
- Sử dụng tay cầm (các tay cầm) phụ nếu được cung cấp kèm theo dụng cụ.** Việc mất khả năng kiểm soát có thể dẫn đến thương tích cá nhân.
- Cầm dụng cụ máy tại bề mặt kẹp cách điện khi thực hiện một thao tác trong đó phụ kiện cắt có thể tiếp xúc với dây dẫn điện kín bên dưới.** Phụ kiện cắt tiếp xúc với dây dẫn "có điện" có thể khiến các bộ phận kim loại bị hở của dụng cụ máy "có điện" và làm cho người vận hành bị điện giật.

### LƯU GIỮ CÁC HƯỚNG DẪN NÀY.

**⚠CẢNH BÁO: KHÔNG** vì đã thoải mái hay quen thuộc với sản phẩm (có được do sử dụng nhiều lần) mà không tuân thủ nghiêm ngặt các quy định về an toàn dành cho sản phẩm này.

**VIỆC DÙNG SAI** hoặc không tuân theo các quy định về an toàn được nêu trong tài liệu hướng dẫn này có thể dẫn đến thương tích cá nhân nghiêm trọng.

## Hướng dẫn quan trọng về an toàn dành cho hộp pin

1. Trước khi sử dụng hộp pin, hãy đọc kỹ tất cả các hướng dẫn và dấu hiệu cảnh báo trên (1) bộ sạc pin, (2) pin và (3) sản phẩm sử dụng dụng cụ.
  2. Không tháo rời hộp pin.
  3. Nếu thời gian vận hành ngắn hơn quá mức, hãy ngừng vận hành ngay lập tức. Điều này có thể dẫn đến rủi ro quá nhiệt, có thể gây bỏng và thậm chí là nổ.
  4. Nếu chất điện phân rơi vào mắt, hãy rửa sạch bằng nước sạch và đến cơ sở y tế ngay lập tức. Chất này có thể khiến bạn giảm thị lực.
  5. Không để hộp pin ở tình trạng đoản mạch:
    - (1) Không chạm vào cực pin bằng vật liệu dẫn điện.
    - (2) Tránh cất giữ hộp pin trong hộp có các vật kim loại khác như đinh, tiền xu, v.v...
    - (3) Không được để hộp pin tiếp xúc với nước hoặc mưa.
- Đoản mạch pin có thể gây ra dòng điện lớn, quá nhiệt, có thể gây bỏng và thậm chí là hỏng hóc.
6. Không cất giữ dụng cụ và hộp pin ở nơi nhiệt độ có thể lên tới hoặc vượt quá 50°C.
  7. Không đốt hộp pin ngay cả khi hộp pin đã bị hư hại nặng hoặc hư hỏng hoàn toàn. Hộp pin có thể nổ khi tiếp xúc với lửa.
  8. Hãy cẩn trọng không làm rơi hoặc làm méo pin.
  9. Không sử dụng pin đã hỏng.
  10. Pin nén lithium-ion là đối tượng có yêu cầu bắt buộc theo Luật Hàng hoá Nguy hiểm.

Đối với vận tải thương mại, ví dụ như vận tải do bên thứ ba, đại lý giao nhận, thì yêu cầu đặc biệt về đóng gói và nhãn ghi phải được giám sát. Để chuẩn bị cho mặt hàng cần vận chuyển, cần phải tham khảo ý kiến chuyên gia về vật liệu nguy hiểm. Nếu được, vui lòng tuân thủ các quy định quốc gia chi tiết hơn. Buộc hoặc niêm phong các tiếp điểm mở và đóng gói pin theo cách đó để nó không thể di chuyển trong bao bì.

11. Tuân theo các quy định của địa phương liên quan đến việc thải bỏ pin.
12. Chỉ sử dụng pin cho các sản phẩm Makita chỉ định. Lắp pin vào sản phẩm không thích hợp có thể gây ra hoả hoạn, quá nhiệt, nổ, hoặc rò chất điện phân.

## LƯU GIỮ CÁC HƯỚNG DẪN NÀY.

**⚠ THẬN TRỌNG:** Chỉ sử dụng pin Makita chính hãng. Việc sử dụng pin không chính hãng Makita, hoặc pin đã được sửa đổi, có thể dẫn đến nổ pin gây ra cháy, thương tích và thiệt hại cá nhân. Nó cũng sẽ làm mất hiệu lực bảo hành của Makita dành cho dụng cụ của Makita và bộ sạc.

## Mẹo duy trì tuổi thọ tối đa cho pin

1. Sạc hộp pin trước khi pin bị xả điện hoàn toàn. Luôn dừng việc vận hành dụng cụ và sạc pin khi bạn nhận thấy công suất dụng cụ bị giảm.
2. Không được phép sạc lại một hộp pin đã được sạc đầy. Sạc quá mức sẽ làm giảm tuổi thọ của pin.
3. Sạc pin ở nhiệt độ phòng 10°C - 40°C. Để cho hộp pin nóng nguội lại dần trước khi sạc pin.
4. Sạc pin sáu tháng một lần nếu bạn không sử dụng dụng cụ trong một thời gian dài (hơn sáu tháng).

## MÔ TẢ CHỨC NĂNG

**⚠ THẬN TRỌNG:** Luôn đảm bảo rằng đã tắt dụng cụ và tháo hộp pin ra trước khi thực hiện việc điều chỉnh hoặc kiểm tra chức năng trên dụng cụ.

### Lắp hoặc tháo hộp pin

**⚠ THẬN TRỌNG:** Luôn tắt dụng cụ trước khi lắp hoặc tháo hộp pin.

**⚠ THẬN TRỌNG:** Giữ dụng cụ và hộp pin thật chắc khi lắp hoặc tháo hộp pin. Không giữ dụng cụ và hộp pin thật chắc có thể làm trượt chúng khỏi tay và làm hư hỏng dụng cụ và hộp pin hoặc gây thương tích cá nhân.

► **Hình1:** 1. Đèn chỉ báo màu đỏ 2. Nút 3. Hộp pin

Để tháo hộp pin, vừa trượt pin ra khỏi dụng cụ vừa đẩy trượt nút ở phía trước hộp pin.

Để lắp hộp pin, đặt thẳng hàng phần chốt nhỏ ra của hộp pin vào phần rãnh nằm trên vỏ và trượt hộp pin vào vị trí. Đưa hộp pin vào cho đến khi chốt khóa vào đúng vị trí với một tiếng "cách" nhẹ. Nếu bạn vẫn còn nhìn thấy đèn chỉ báo màu đỏ ở mặt trên của nút, điều đó có nghĩa là chốt vẫn chưa được khóa hoàn toàn.

**⚠ THẬN TRỌNG:** Luôn lắp hộp pin khớp hoàn toàn vào vị trí cho đến khi không thể nhìn thấy đèn chỉ báo màu đỏ. Nếu không, hộp pin có thể vò tinh rơi ra khỏi dụng cụ, gây thương tích cho bạn hoặc người khác xung quanh.

**⚠ THẬN TRỌNG:** Không được dùng sức lắp hộp pin. Nếu hộp pin không nhẹ nhàng trượt vào vị trí, có nghĩa là pin vẫn chưa được lắp đúng.



## Chỉ báo dung lượng pin còn lại

Chỉ dành cho hộp pin có đèn chỉ báo

► **Hình2:** 1. Các đèn chỉ báo 2. Nút Check (kiểm tra)

Ấn nút check (kiểm tra) trên hộp pin để chỉ báo dung lượng pin còn lại. Các đèn chỉ báo bật sáng lên trong vài giây.

Các đèn chỉ báo			Dung lượng còn lại
Bật sáng	Tắt	Nhấp nháy	
			75% đến 100%
			50% đến 75%
			25% đến 50%
			0% đến 25%
			Sạc pin.
			Pin có thể đã bị hỏng.

**LƯU Ý:** Tùy thuộc vào các điều kiện sử dụng và nhiệt độ xung quanh, việc chỉ báo có thể khác biệt một chút so với dung lượng thực sự.

## Hệ thống bảo vệ dụng cụ / pin

Dụng cụ này được trang bị hệ thống bảo vệ dụng cụ / pin. Hệ thống này sẽ tự động ngắt nguồn điện đến động cơ để kéo dài tuổi thọ dụng cụ và pin. Dụng cụ sẽ tự động dừng vận hành khi dụng cụ hoặc pin ở một trong những trường hợp sau đây:

### Bảo vệ quá tải

Khi vận hành pin trong điều kiện làm máy tiêu tốn dòng cao bất thường, dụng cụ sẽ tự động dừng lại mà không có bất cứ dấu hiệu nào. Trong trường hợp này, hãy tắt dụng cụ và ngừng ứng dụng làm cho dụng cụ trở nên quá tải. Sau đó bật dụng cụ lên để khởi động lại.

### Bảo vệ quá nhiệt

Khi dụng cụ/pin bị quá nhiệt, dụng cụ sẽ tự động dừng. Trong tình huống này, hãy để dụng cụ/pin nguội trở lại trước khi bật dụng cụ lại.

### Bảo vệ xả điện quá mức

Khi dung lượng pin không đủ, thì dụng cụ sẽ tự động dừng. Trong trường hợp này, hãy tháo pin khỏi dụng cụ và sạc pin lại.

**LƯU Ý:** Bảo vệ quá tải (cho pin) sẽ chỉ hoạt động với pin có dấu sao.

► **Hình3:** 1. Dấu sao

## Hoạt động công tắc

► **Hình4:** 1. Cần khởi động công tắc

**⚠ THẬN TRỌNG:** Trước khi lắp hộp pin vào dụng cụ, luôn luôn kiểm tra xem cần khởi động công tắc có hoạt động bình thường hay không và trả về vị trí "OFF" (TẮT) khi nhả ra.

Để khởi động dụng cụ, chỉ cần kéo cần khởi động công tắc. Tốc độ của dụng cụ được tăng lên bằng cách tăng áp lực lên cần khởi động công tắc. Nhả cần khởi động công tắc ra để dừng.

**LƯU Ý:** Dụng cụ này sẽ tự động dừng lại nếu bạn tiếp tục kéo giữ cần khởi động công tắc trong khoảng 6 phút.

## Bật sáng đèn phía trước

**⚠ THẬN TRỌNG:** Đừng nhìn thẳng trực tiếp vào đèn hoặc nguồn sáng.

► **Hình5:** 1. Đèn

► **Hình6:** 1. Nút

Kéo cần khởi động công tắc để bật đèn. Để tắt đèn, hãy nhả ra. Đèn sẽ tắt khoảng 10 giây sau khi nhả cần khởi động công tắc.

Để giữ đèn tắt, tắt tình trạng đèn. Đầu tiên là kéo, sau đó nhả cần khởi động công tắc. Và sau đó nhấn nút trong một giây trong vòng 10 giây. Để bật lại tình trạng đèn, bấm nút tương tự một lần nữa.

**LƯU Ý:** Để xác nhận tình trạng đèn, hãy kéo cần khởi động. Nếu đèn sáng lên khi kéo cần khởi động công tắc, đèn đang ở tình trạng ON (BẬT). Khi đèn không sáng, đèn đang ở tình trạng OFF (TẮT).

**LƯU Ý:** Khi dụng cụ bị quá nhiệt, đèn sẽ nhấp nháy trong vòng một phút, sau đó màn hình LED sẽ tắt. Trong trường hợp này, hãy để nguội dụng cụ trước khi vận hành lại.

**LƯU Ý:** Dùng vải khô để lau bụi bẩn trên kính đèn. Cần thận trọng để tránh xước kính đèn, nếu không đèn có thể bị giảm độ sáng.

## Hoạt động công tắc đảo chiều

► **Hình7:** 1. Cần công tắc đảo chiều

**⚠ THẬN TRỌNG:** Luôn luôn kiểm tra hướng xoay trước khi vận hành.

**⚠ THẬN TRỌNG:** Chỉ sử dụng công tắc đảo chiều sau khi dụng cụ đã dừng hoàn toàn. Việc thay đổi hướng xoay trước khi dụng cụ dừng có thể làm hỏng dụng cụ.

**⚠ THẬN TRỌNG:** Khi vận hành dụng cụ, luôn đặt nút công tắc đảo chiều ở vị trí chính giữa.

Dụng cụ này có một công tắc đảo chiều để thay đổi chiều xoay. Nhấn nút công tắc đảo chiều từ mặt A để xoay theo chiều kim đồng hồ hoặc từ mặt B để xoay ngược chiều kim đồng hồ.

Khi nút công tắc đảo chiều ở vị trí chính giữa, không thể kéo cần khởi động công tắc được.

## Thay đổi lực bắt vít

► **Hình8:** 1. Mạnh 2. Nhẹ 3. Chế độ A 4. Được thay đổi trong ba bước 5. Nút

Bạn có thể thay đổi lực bắt vít theo ba bước: nặng, nhẹ, và chế độ A.



Điều này cho phép vặn vít phù hợp với công tác thực hiện.

Mỗi lần nhấn nút, số lượng nhát sẽ thay đổi theo ba bước.

“Chế độ A (chế độ hỗ trợ)” là chế độ dễ dàng sử dụng để bắt vít cùng với kiểm soát tốt.

Trong chế độ này, dụng cụ bắt vít có tốc độ xoay thấp ban đầu. Sau khi dụng cụ bắt đầu tác động, tốc độ xoay tăng và đạt tốc độ tối đa.

Bạn có thể thay đổi lực bắt vít trong khoảng một phút sau khi nhả cần khởi động công tắc.

Cấp độ lực bắt vít được hiển thị trên bảng	Số nhát đóng tối đa	Mục đích	Ví dụ về ứng dụng
Mạnh 	3.900 min <sup>-1</sup> (/min)	Dùng để vặn vít với lực và tốc độ theo ý muốn.	Vặn chặt các vít bắt gỗ, vặn chặt các bu-lông.
Nhẹ 	1.600 min <sup>-1</sup> (/min)	Vặn với ít lực để tránh vỡ ren vít.	Dùng để vặn vít khung trượt, vặn vít nhỏ tương tự loại M6.
Chế độ A 	3.900 min <sup>-1</sup> (/min)	Vặn vít với kiểm soát tốt hơn.	Vặn vít dài.

**LƯU Ý:** Chế độ A chỉ có sẵn khi dụng cụ xoay theo chiều kim đồng hồ. Khi xoay ngược chiều kim đồng hồ ở chế độ A, lực tác động và tốc độ giống như chế độ nặng.

**LƯU Ý:** Khi tắt cả các đèn trên bảng công tắc tắt hết, dụng cụ sẽ tắt để tiết kiệm pin. Có thể kiểm tra cấp độ lực bắt vít bằng cách kéo cần khởi động công tắc đến mức mà dụng cụ không hoạt động.

**LƯU Ý:** Trong khi kéo cần khởi động công tắc không thể thay đổi cấp độ lực bắt vít.

## LẮP RÁP

**⚠ THẬN TRỌNG:** Luôn đảm bảo rằng đã tắt dụng cụ và tháo hộp pin ra trước khi thực hiện bất cứ thao tác nào trên dụng cụ.

### Lắp hoặc tháo gỡ mũi bắt vít/mũi đầu tuýp

#### Phụ kiện tùy chọn

► Hình9

Chỉ sử dụng mũi bắt vít/mũi đầu tuýp có phần lắp như trình bày trong hình. Không được sử dụng bất cứ loại mũi bắt vít/mũi đầu tuýp nào khác.

#### Đổi với dụng cụ có lỗ mũi vít nông

A=12 mm B=9 mm	Chỉ sử dụng các loại mũi bắt vít này. Hãy làm theo quy trình 1. (Lưu ý) Miếng đệm đầu mũi là không cần thiết.
-------------------	---

#### Đổi với dụng cụ có lỗ mũi vít sâu

A=17 mm B=14 mm	Để lắp các loại đầu mũi này, hãy làm theo quy trình 1.
A=12 mm B=9 mm	Để lắp các loại đầu mũi này, hãy làm theo quy trình 2. (Lưu ý) Miếng đệm đầu mũi là cần thiết để lắp mũi vít.

1. Để lắp đầu mũi, hãy kéo trụ ngoài ra theo hướng mũi tên và đẩy đầu mũi vào trong trụ ngoài hết mức có thể.

Sau đó nhả trụ ngoài ra để giữ chặt đầu mũi.

► **Hình10:** 1. Mũi bắt vít 2. Trụ ngoài

2. Để lắp đầu mũi, hãy kéo trụ ngoài theo hướng mũi tên và đẩy miếng đệm và đầu mũi vào trong trụ ngoài hết mức có thể. Miếng đệm đầu mũi cần được lắp vào trụ ngoài với đầu mũi quay vào trong. Sau đó nhả trụ ngoài ra để giữ chặt đầu mũi.

► **Hình11:** 1. Mũi bắt vít 2. Miếng đệm đầu mũi 3. Trụ ngoài

Để tháo mũi vít, hãy kéo trụ ngoài theo hướng mũi tên và kéo mạnh mũi vít ra.

**LƯU Ý:** Nếu mũi vít không được đẩy đủ sâu vào trụ ngoài, trụ ngoài sẽ không trở lại vị trí ban đầu và không giữ chặt được mũi vít. Trong trường hợp này, có lắp lại mũi vít theo các hướng dẫn ở trên.

**LƯU Ý:** Sau khi đẩy mũi vít vào, đảm bảo rằng mũi vít được giữ chặt. Nếu mũi vít rời ra, đừng sử dụng nó nữa.

## Lắp móc treo

**⚠ THẬN TRỌNG:** Khi lắp đặt móc treo, luôn siết vít thật chặt. Nếu không làm vậy, móc treo có thể rơi ra khỏi dụng cụ và gây thương tích cá nhân.

► **Hình12:** 1. Rãnh 2. Móc treo 3. Vít

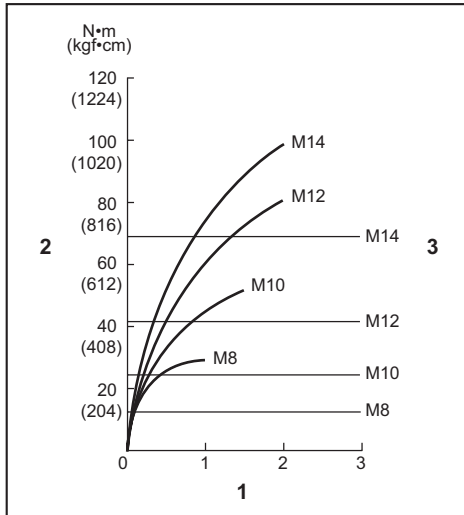
Móc treo rất thuận tiện cho việc treo tạm dụng cụ. Móc treo có thể được lắp ở cả hai bên của dụng cụ. Để lắp đặt móc treo, hãy lắp nó vào rãnh trên vỏ dụng cụ trên bất cứ mặt nào và sau đó siết chặt lại bằng vít. Để tháo ra, hãy vận lỏng vít rồi lấy móc treo ra.

## VẬN HÀNH

► **Hình13**

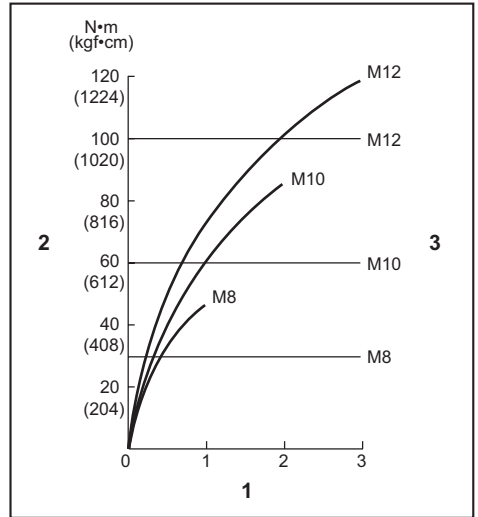
Mô-men xoay đúng quy định có thể khác nhau tùy thuộc vào loại hoặc kích thước của vít/bu-lông, vật liệu của phiê gia công cần được siết vặn, v.v... Mỗi liên hệ giữa mô-men xoay và thời gian xoay được thể hiện theo các số liệu sau.

### Bu-lông thường



1. Thời gian vận xiết (giây) 2. Lực vận xiết 3. Lực vận xiết phù hợp tương ứng với từng đường kính của bu-lông

### Bu-lông cường độ cao



1. Thời gian vận xiết (giây) 2. Lực vận xiết 3. Lực vận xiết phù hợp tương ứng với từng đường kính của bu-lông

Giữ chặt dụng cụ và đặt điểm đầu mũi vít vào đầu vít. Nhấn dụng cụ về phía trước tới mức sao cho mũi vít không trượt ra khỏi vít và xoay dụng cụ để bắt đầu bắt vít.

**CHÚ Ý:** Nếu bạn dùng loại pin dự phòng để tiếp tục vận hành, hãy để dụng cụ nghỉ ít nhất 15 phút.

**LƯU Ý:** Sử dụng đúng loại mũi vít dành cho đầu vít/đầu bu-lông mà bạn muốn dùng.

**LƯU Ý:** Khi xiết vít cỡ M8 hoặc nhỏ hơn, hãy chọn lực tác động phù hợp và điều chỉnh cẩn thận áp lực lên cần khởi động công tắc sao cho vít không bị hư hỏng.

**LƯU Ý:** Giữ dụng cụ chĩa thẳng vào vít.

**LƯU Ý:** Nếu lực tác động quá mạnh, hoặc bạn xiết chặt vít lâu hơn thời gian thể hiện trong hình, vít hoặc điểm đầu mũi vít có thể chịu ứng suất vượt tải, bị tròn răng hoặc hư hỏng, v.v... Trước khi thực hiện công việc của mình, hãy luôn vận hành thử để xác định thời gian xoay phù hợp cho loại vít của bạn.

Mô-men xoay bị ảnh hưởng bởi rất nhiều yếu tố như sau đây. Sau khi xiết, hãy luôn kiểm tra mô-men xoay bằng một cò-lê cộng lực.

1. Khi hộp pin đã xả điện hoàn toàn, hiệu điện thế sẽ tụt xuống và mô-men xoay sẽ bị giảm.
2. Mũi bắt vít hoặc mũi đầu tuýp  
Việc không sử dụng mũi bắt vít hoặc mũi đầu tuýp đúng kích thước có thể làm giảm lực vận xiết.

3. Bu-lông
  - Ngay cả khi hệ số mô-men xoay và loại bu-lông là giống nhau, mô-men xoay đúng quy định sẽ khác tùy theo đường kính của bu-lông.
  - Ngay cả khi đường kính các bu-lông là giống nhau, mô-men xoay đúng quy định sẽ khác tùy theo hệ số mô-men xoay, loại bu-lông và chiều dài bu-lông.
4. Cách cầm dụng cụ hoặc vật liệu tại vị trí bắt vít cần được xoay cũng sẽ ảnh hưởng đến mô-men xoay.
5. Vận hành dụng cụ ở tốc độ thấp cũng sẽ làm giảm mô-men xoay.

## BẢO TRÌ

**⚠ THẬN TRỌNG:** Hãy luôn chắc chắn rằng dụng cụ đã được tắt và hộp pin đã được tháo ra trước khi cố gắng thực hiện việc kiểm tra hay bảo dưỡng.

**CHÚ Ý:** Không được phép dùng xăng, ét xăng, dung môi, cồn hoặc hóa chất tương tự. Có thể xảy ra hiện tượng mất màu, biến dạng hoặc nứt vỡ.

Để đảm bảo ĐỘ AN TOÀN và ĐỘ TIN CẬY của sản phẩm, việc sửa chữa hoặc bất cứ thao tác bảo trì, điều chỉnh nào đều phải được thực hiện bởi các Trung tâm Dịch vụ Nhà máy hoặc Trung tâm được Makita Ủy quyền và luôn sử dụng các phụ tùng thiết bị thay thế của Makita.

## PHỤ KIỆN TỰ CHỌN

**⚠ THẬN TRỌNG:** Các phụ kiện hoặc phụ tùng gắn thêm này được khuyến cáo sử dụng với dụng cụ Makita của bạn theo như quy định trong hướng dẫn này. Việc sử dụng bất cứ phụ kiện hoặc phụ tùng gắn thêm nào khác đều có thể gây ra rủi ro thương tích cho người. Chỉ sử dụng phụ kiện hoặc phụ tùng gắn thêm cho mục đích đã quy định sẵn của chúng.

Nếu bạn cần bất kỳ sự hỗ trợ nào để biết thêm chi tiết về các phụ tùng này, hãy hỏi Trung tâm Dịch vụ của Makita tại địa phương của bạn.

- Mũi bắt vít
- Mũi đầu tuýp
- Miếng đệm đầu mũi
- Móc treo
- Móc treo dụng cụ
- Hộp nhựa chứa dụng cụ
- Pin và bộ sạc chính hãng của Makita
- Bộ bảo vệ pin

**LƯU Ý:** Một số mục trong danh sách có thể được bao gồm trong gói dụng cụ làm phụ kiện tiêu chuẩn. Các mục này ở mỗi quốc gia có thể khác nhau.

## ข้อมูลจำเพาะ

รุ่น:	DTD155	
ความสามารถในการขันแน่น	สกรูยึดโลหะ	4 mm - 8 mm
	สลักเกลียวมาตรฐาน	5 mm - 14 mm
	สลักเกลียวทนแรงดึงสูง	5 mm - 12 mm
ความเร็วหมุนเปล่า	โหมตแรงกระแทกหนัก	0 - 3,000 min <sup>-1</sup>
	โหมตแรงกระแทกเบา	0 - 1,300 min <sup>-1</sup>
อัตราการกระแทกต่อนาที	โหมตแรงกระแทกหนัก	0 - 3,900 min <sup>-1</sup>
	โหมตแรงกระแทกเบา	0 - 1,600 min <sup>-1</sup>
แรงดันไฟฟ้าสูงสุด	D.C. 18 V	
ความยาวโดยรวม	135 mm	
น้ำหนักสุทธิ	1.2 - 1.5 kg	

- เนื่องจากการค้นคว้าวิจัยและพัฒนาอย่างต่อเนื่อง ข้อมูลจำเพาะในเอกสารฉบับนี้อาจเปลี่ยนแปลงได้โดยไม่ต้องแจ้งให้ทราบล่วงหน้า
- ข้อมูลจำเพาะอาจแตกต่างกันไปในแต่ละประเทศ
- น้ำหนักอาจแตกต่างกันไปตามอุปกรณ์เสริม รวมถึงตลับแบตเตอรี่ การติดอุปกรณ์เสริมที่เบาที่สุดและหนักที่สุดตามข้อบังคับของ EPTA 01/2014 มีแสดงอยู่ในตาราง

## ตลับแบตเตอรี่และเครื่องชาร์จที่ใช้ได้


ตลับแบตเตอรี่	BL1815N / BL1820 / BL1820B / BL1830 / BL1830B / BL1840 / BL1840B / BL1850 / BL1850B / BL1860B
เครื่องชาร์จ	DC18RC / DC18RD / DC18RE / DC18SD / DC18SE / DC18SF


- ตลับแบตเตอรี่และเครื่องชาร์จบางรายการที่แสดงอยู่ด้านบนอาจไม่มีวางจำหน่ายขึ้นอยู่กับภูมิภาคที่คุณอาศัยอยู่

**คำเตือน:** ใช้ตลับแบตเตอรี่และเครื่องชาร์จที่ระบุไว้ข้างบนเท่านั้น การใช้ตลับแบตเตอรี่และเครื่องชาร์จประเภทอื่นอาจก่อให้เกิดความเสี่ยงที่จะได้รับบาดเจ็บและ/หรือเกิดไฟไหม้

## สัญลักษณ์

ต่อไปนี้เป็นสัญลักษณ์ที่ใช้สำหรับอุปกรณ์ โปรดศึกษาความหมายของสัญลักษณ์ให้เข้าใจก่อนการใช้งาน

 อ่านคู่มือการใช้งาน

 Ni-MH  
Li-ion

สำหรับประเทศในสหภาพยุโรปเท่านั้น ห้ามทิ้งอุปกรณ์ไฟฟ้าหรือชุดแบตเตอรี่รวมกับขยะครัวเรือนทั่วไป! เพื่อให้เป็นไปตามกฎระเบียบของยุโรปเกี่ยวกับขยะจำพวกอุปกรณ์ไฟฟ้าและอิเล็กทรอนิกส์ และขยะจำพวกแบตเตอรี่และหม้อสะสมไฟฟ้า และการปฏิบัติตามกฎหมายในประเทศ ต้องเก็บอุปกรณ์ไฟฟ้าและแบตเตอรี่หรือชุดแบตเตอรี่ที่หมดอายุการใช้งานแล้วแยกต่างหาก และส่งกลับไปยังศูนย์รีไซเคิลที่เป็นมิตรต่อสิ่งแวดล้อม

## จุดประสงค์การใช้งาน

เครื่องมือนี้ใช้สำหรับชั้นกรูเข้าสู่เนื้อไม้ โลหะ และพลาสติก

## คำเตือนด้านความปลอดภัย

### คำเตือนด้านความปลอดภัยของเครื่องมือไฟฟ้าทั่วไป

**⚠ คำเตือน:** โปรดอ่านคำเตือนด้านความปลอดภัย คำแนะนำ ภาพประกอบ และข้อมูลเฉพาะต่างๆ ที่หามา กับเครื่องมือไฟฟ้านี้อย่างละเอียด การไม่ปฏิบัติตามคำแนะนำดังต่อไปนี้ อาจส่งผลให้เกิดไฟฟ้าช็อต ไฟไหม้ และ/หรือได้รับบาดเจ็บอย่างร้ายแรงได้

## เก็บรักษาคำเตือนและคำแนะนำทั้งหมดไว้

### เป็นข้อมูลอ้างอิงในอนาคต

คำว่า “เครื่องมือไฟฟ้า” ในคำเตือนนี้หมายถึงเครื่องมือไฟฟ้า (มีสาย) ที่ทำงานโดยใช้กระแสไฟฟ้าหรือเครื่องมือไฟฟ้า (ไร้สาย) ที่ทำงานโดยใช้แบตเตอรี่

### ความปลอดภัยของพื้นที่ทำงาน

1. ดูแลพื้นที่ทำงานให้มีความสะอาดและมีแสงไฟสว่าง พื้นที่รกกระเจะระเกะหรือมืดทึบอาจนำไปสู่การเกิดอุบัติเหตุได้
2. อย่าใช้งานเครื่องมือไฟฟ้าในสภาพที่อาจเกิดการระเบิด เช่น ในสถานที่ที่มีของเหลว ก๊าซ หรือฝุ่นผงที่มีคุณสมบัติไวไฟ เครื่องมือไฟฟ้าอาจสร้างประกายไฟและจุดชนวนฝุ่นผงหรือก๊าซดังกล่าว
3. ดูแลไม่ให้มีเด็ก หรือบุคคลอื่นอยู่ในบริเวณที่กำลังใช้เครื่องมือไฟฟ้า การมีสิ่งรบกวนสมาธิอาจทำให้คุณสูญเสียการควบคุม

### ความปลอดภัยด้านไฟฟ้า

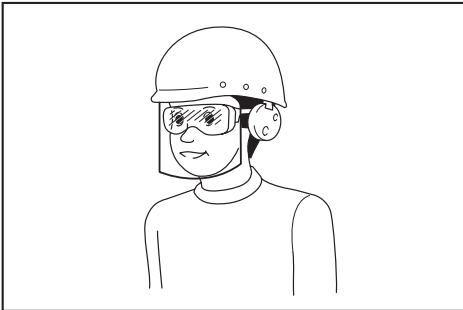
1. ปลั๊กของเครื่องมือไฟฟ้าต้องพอดีกับเต้ารับ อย่าดัดแปลงปลั๊กไม่ว่ากรณีใดๆ อย่าใช้ปลั๊กอะแดปเตอร์กับเครื่องมือไฟฟ้าที่ต่อสายดิน ปลั๊กที่ไม่ถูกดัดแปลงและเต้ารับที่เข้ากันพอดีจะช่วยลดความเสี่ยงของการเกิดไฟฟ้าช็อต
2. ระวังอย่าให้ร่างกายสัมผัสกับพื้นผิวที่ต่อสายดิน เช่น ท่อ เครื่องนำความร้อน เตาहु่งต้ม และตู้เย็น มีความเสี่ยงที่จะเกิดไฟฟ้าช็อตสูงขึ้น หากร่างกายของคุณสัมผัสกับพื้น
3. อย่าให้เครื่องมือไฟฟ้าถูกน้ำหรืออยู่ในสภาพเปียกชื้น น้ำที่ไหลเข้าไปในเครื่องมือไฟฟ้าจะเพิ่มความเสี่ยงของการเกิดไฟฟ้าช็อต

4. อย่าใช้สายไฟอย่างไม่เหมาะสม อย่าใช้สายไฟเพื่อยก ดึง หรือถอดปลั๊กเครื่องมือไฟฟ้า เก็บสายไฟให้ห่างจากความร้อน น้ำมัน ของมีคม หรือชิ้นส่วนที่เคลื่อนที่ สายที่ชำรุดหรือพันกันจะเพิ่มความเสี่ยงของการเกิดไฟฟ้าช็อต
5. ขณะที่ใช้งานเครื่องมือไฟฟ้านอกอาคาร ควรใช้สายต่อพ่วงที่เหมาะสมกับงานภายนอกอาคาร การใช้งานที่เหมาะสมกับงานภายนอกอาคารจะลดความเสี่ยงของการเกิดไฟฟ้าช็อต
6. หากต้องใช้งานเครื่องมือไฟฟ้าในสถานที่เปียกชื้น ให้ใช้อุปกรณ์ป้องกันกระแสไฟรั่ว (RCD) การใช้ RCD จะลดความเสี่ยงของการเกิดไฟฟ้าช็อต
7. เครื่องมือไฟฟ้าอาจสร้างสนามแม่เหล็ก (EMF) ที่ไม่เป็นอันตรายต่อผู้ใช้ อย่างไรก็ตาม ผู้ใช้ที่ใส่เครื่องกระตุ้นหัวใจและอุปกรณ์ทางการแพทย์ที่คล้ายกันนี้ ควรติดต่อผู้ผลิตรายการและ/หรือแพทย์เพื่อรับคำแนะนำก่อนใช้งานเครื่องมือไฟฟ้านี้

### ความปลอดภัยส่วนบุคคล

1. ให้ระมัดระวังและมึสติอยู่เสมอขณะใช้งานเครื่องมือไฟฟ้า อย่าใช้งานเครื่องมือไฟฟ้าในขณะที่คุณกำลังเหนื่อย หรือในสภาพที่มึนเมาจากยาเสพติด เครื่องดื่ม แอลกอฮอล์ หรือการไช้ยา ช่วงเวลาที่ขาดความระมัดระวังเมื่อกำลังใช้งานเครื่องมือไฟฟ้าอาจทำให้ได้รับบาดเจ็บร้ายแรง
2. ใช้อุปกรณ์ป้องกันส่วนบุคคล สวมแว่นตาป้องกันเสมอ อุปกรณ์ป้องกัน เช่น หน้ากากกันฝุ่น รองเท้านิรภัย กันลื่น หมวกนิรภัย หรือเครื่องป้องกันการได้ยินที่ใช้ในสภาพที่เหมาะสมจะช่วยลดการบาดเจ็บ
3. ป้องกันไม่ให้เกิดการเปิดใช้งานโดยไม่ตั้งใจ ตรวจสอบให้แน่ใจว่าสวิตช์ปิดอยู่ก่อนที่จะเชื่อมต่อกับแหล่งจ่ายไฟ และ/หรือชุดแบตเตอรี่ รวมทั้งตรวจสอบก่อนการยกหรือเคลื่อนย้ายเครื่องมือ การสอดนิ้วมือบริเวณสวิตช์เพื่อถือเครื่องมือไฟฟ้า หรือการชาร์จไฟเครื่องมือไฟฟ้าในขณะที่เปิดสวิตช์อยู่อาจนำไปสู่การเกิดอุบัติเหตุ
4. นำคู่มือฉบับปรับปรุงหรือประจำออกก่อนที่จะเปิดเครื่องมือไฟฟ้า ประแจหรือคู่มือที่เสียบค้างอยู่ในชิ้นส่วนที่หมุนได้ของเครื่องมือไฟฟ้าอาจทำให้ได้รับบาดเจ็บ
5. อย่าทำงานในระยะที่สุดเอื้อม จัดท่ากรยีนและการทรงตัวให้เหมาะสมตลอดเวลา เพราะจะทำให้ควบคุมเครื่องมือไฟฟ้าได้ดีขึ้นในสถานการณ์ที่ไม่คาดคิด

6. แต่งกายให้เหมาะสม อย่าสวมเครื่องแต่งกายที่หลวมเกินไป หรือสวมเครื่องประดับ ดูแลไม่ให้เส้นผมและเสื้อผ้าอยู่ใกล้ชิ้นส่วนที่เคลื่อนที่ เสื้อผ้ารุ่มร่าม เครื่องประดับ หรือผมที่มีความยาวอาจเข้าไปติดในชิ้นส่วนที่เคลื่อนที่
7. หากมีการจัดอุปกรณ์สำหรับดูดและจัดเก็บฝุ่นไว้ในสถานที่ ให้ตรวจสอบว่าได้เชื่อมต่อและใช้งานอุปกรณ์นั้นอย่างเหมาะสม การใช้เครื่องดูดและจัดเก็บฝุ่นจะช่วยลดอันตรายที่เกิดจากฝุ่นผงได้
8. อย่าให้ความดันเคยจากการใช้งานเครื่องมือเป็นประจำทำให้คุณทำตัวตามสบายและละเลยหลักการเพื่อความปลอดภัยในการใช้เครื่องมือ การกระทำที่ไม่ระมัดระวังอาจทำให้เกิดการบาดเจ็บร้ายแรงภายในเสี้ยววินาที
9. สวมใส่แว่นครอบตาที่รับภัยเพื่อปกป้องดวงตาของคุณจากการบาดเจ็บเมื่อใช้เครื่องมือไฟฟ้า แว่นครอบตาจะต้องได้มาตรฐาน ANSI Z87.1 ในสหรัฐอเมริกา, EN 166 ในยุโรป หรือ AS/NZS 1336 ในออสเตรเลีย/นิวซีแลนด์ ในออสเตรเลีย/นิวซีแลนด์ จะต้องสวมเกราะป้องกันใบหน้าเพื่อปกป้องใบหน้าของคุณอย่างถูกต้องตามกฎหมายด้วย



ผู้ว่าจ้างมีหน้าที่รับผิดชอบในการบังคับผู้ใช้งานเครื่องมือและบุคคลอื่นๆ ที่อยู่ในบริเวณที่ปฏิบัติงานให้ใช้อุปกรณ์ป้องกันที่เหมาะสม

#### การใช้และดูแลเครื่องมือไฟฟ้า

1. อย่าฝืนใช้เครื่องมือไฟฟ้า ใช้เครื่องมือไฟฟ้าที่เหมาะสมกับการใช้งานของคุณ เครื่องมือไฟฟ้าที่เหมาะสมจะทำให้ได้งานที่มีประสิทธิภาพและปลอดภัยกว่าตามขีดความสามารถของเครื่องที่ได้รับการออกแบบมา
2. อย่าใช้เครื่องมือไฟฟ้า หากสวิตช์ไม่สามารถเปิดปิดได้ เครื่องมือไฟฟ้าที่ควบคุมด้วยสวิตช์ไม่ได้เป็นสิ่งอันตรายและต้องได้รับการซ่อมแซม

3. ถอดปลั๊กจากแหล่งจ่ายไฟ และ/หรือชุดแบตเตอรี่ออกจากเครื่องมือไฟฟ้าก่อนทำการปรับตั้ง เปลี่ยนอุปกรณ์เสริม หรือจัดเก็บเครื่องมือไฟฟ้า วิธีการป้องกันด้านความปลอดภัยดังกล่าวจะช่วยลดความเสี่ยงในการเปิดใช้งานเครื่องมือไฟฟ้าโดยไม่ตั้งใจ
4. จัดเก็บเครื่องมือไฟฟ้าที่ไม่ได้ใช้งานให้ห่างจากมือเด็ก และอย่าอนุญาตให้บุคคลที่ไม่คุ้นเคยกับเครื่องมือไฟฟ้าหรือคำแนะนำเหล่านี้ใช้งานเครื่องมือไฟฟ้า เครื่องมือไฟฟ้าจะเป็นอันตรายเมื่ออยู่ในมือของผู้ที่ไม่ได้รับการฝึกอบรม
5. บำรุงรักษาเครื่องมือไฟฟ้าและอุปกรณ์เสริม ตรวจสอบการประกอบที่ไม่ถูกต้องหรือการเชื่อมต่อของชิ้นส่วนที่เคลื่อนที่ การแตกหักของชิ้นส่วน หรือสภาพอื่นๆ ที่อาจส่งผลกระทบต่อการทำงานของเครื่องมือไฟฟ้า หากมีความเสียหาย ให้นำเครื่องมือไฟฟ้าไปซ่อมแซมก่อนการใช้งาน อุบัติเหตุจำนวนมากเกิดจากการดูแลรักษาเครื่องมือไฟฟ้าอย่างไม่ถูกต้อง
6. ทำความสะอาดเครื่องมือตัดและลับให้คมอยู่เสมอ เครื่องมือการตัดที่มีการดูแลอย่างถูกต้องและมีขอบการตัดคมมักจะมีปัญหาติดขัดน้อยและควบคุมได้ง่ายกว่า
7. ใช้เครื่องมือไฟฟ้า อุปกรณ์เสริม และวัสดุสิ้นเปลือง ฯลฯ ตามคำแนะนำดังกล่าว พิจารณาสภาพการทำงานและงานที่จะลงมือทำ การใช้เครื่องมือไฟฟ้าเพื่อทำงานอื่นนอกเหนือจากที่กำหนดไว้อาจทำให้เกิดอันตราย
8. ดูแลมือจับและบริเวณมือจับให้แห้ง สะอาด และไม่มีน้ำมันและจาระบีเปื้อน มือจับและบริเวณมือจับที่ลื่นจะทำให้ไม่สามารถจับและควบคุมเครื่องมือได้อย่างปลอดภัยในสถานการณ์ที่ไม่คาดคิด
9. ขณะใช้งานเครื่องมือ อย่าสวมใส่ถุงมือผ้าที่อาจเข้าไปติดในเครื่องมือได้ หากถุงมือผ้าเข้าไปติดในชิ้นส่วนที่กำลังเคลื่อนที่ที่อยู่อาจทำให้ได้รับบาดเจ็บ

#### การใช้งานและดูแลเครื่องมือที่ใช้แบตเตอรี่

1. ชาร์จไฟใหม่ด้วยเครื่องชาร์จที่ระบุโดยผู้ผลิตเท่านั้น เครื่องชาร์จที่เหมาะสมสำหรับชุดแบตเตอรี่ประเภทนี้อาจเสี่ยงที่จะเกิดไฟไหม้หากนำไปใช้กับชุดแบตเตอรี่อีกประเภทหนึ่ง
2. ใช้เครื่องมือไฟฟ้ากับชุดแบตเตอรี่ที่กำหนดมาโดยเฉพาะเท่านั้น การใช้ชุดแบตเตอรี่ประเภทนี้อาจทำให้เสี่ยงที่จะได้รับบาดเจ็บและเกิดไฟไหม้

- เมื่อไม่ใช้งานชุดแบตเตอรี่ ให้เก็บห่างจากวัตถุที่เป็นโลหะอื่นๆ เช่น คลิปหนีบกระดาษ เหรียญ กุญแจ กรรไกรตัดเล็บ สกรู หรือวัตถุที่เป็นโลหะขนาดเล็กอื่นๆ ที่สามารถเชื่อมต่อชั่วคราวหนึ่งกับอีกชั่วคราวหนึ่งได้ การลัดวงจรขั้วแบตเตอรี่อาจทำให้ร้อนจัดหรือเกิดไฟไหม้
- ตรวจสอบให้แน่ใจว่าได้ยื่นอย่างมั่นคง หากใช้งานเครื่องมือในพื้นที่สูง ระวังอย่าให้มีคนอยู่ด้านล่าง
- จับเครื่องมือให้แน่น
- สวมใส่อุปกรณ์ป้องกันเสียง
- อย่าสัมผัสกับดอกไขควงหรือชิ้นงานทันทีที่ทำงานเสร็จ เนื่องจากอาจมีความร้อนสูงและทำให้ผิวหนังไหม้ได้
- ระวังอย่าให้มือสัมผัสกับชิ้นส่วนที่หมุนได้
- ใช้มือจับเสริม หากมีมากับเครื่องมือ การสูญเสียการควบคุมอาจทำให้ได้รับบาดเจ็บ
- ถือเครื่องมือไฟฟ้าบริเวณมือจับที่เป็นฉนวนเมื่อทำงานที่เครื่องมือตัดอาจสัมผัสกับสายไฟที่ซ่อนอยู่ หากอุปกรณ์ส่วนที่ใช้ตัดเกิดสัมผัสกับสายไฟที่ "มีกระแสไฟฟ้าไหลผ่าน" อาจทำให้ส่วนที่เป็นโลหะของเครื่องมือไฟฟ้าที่ไม่มีฉนวนหุ้มเกิดกระแสไฟฟ้าไหลผ่านได้ และส่งผลให้ผู้ปฏิบัติงานถูกไฟฟ้าช็อต
- ห้ามนำชุดแบตเตอรี่หรือเครื่องมือที่ชาร์จหรือมีการแก้ไข แบตเตอรี่ที่เสียหายหรือมีการแก้ไขอาจทำให้เกิดสิ่งที่ไม่ถึงใจ เช่น ไฟไหม้ ระเบิด หรือเสี่ยงต่อการบาดเจ็บ
- ห้ามใช้ชุดแบตเตอรี่อยู่ใกล้ไฟ หรือบริเวณที่มีอุณหภูมิสูงเกิน หากโดนไฟ หรืออุณหภูมิสูงเกิน 130 °C อาจก่อให้เกิดการระเบิดได้
- กรุณาปฏิบัติตามคำแนะนำสำหรับการชาร์จไฟ และห้ามชาร์จแบตเตอรี่หรือเครื่องมือในบริเวณที่มีอุณหภูมินอกเหนือไปจากที่ระบุในคำแนะนำ การชาร์จไฟที่ไม่เหมาะสม หรืออุณหภูมิที่นอกเหนือไปจากช่วงอุณหภูมิที่ระบุในคำแนะนำอาจทำให้แบตเตอรี่เสียหายและเป็นการเพิ่มความเสี่ยงในการเกิดไฟไหม้

#### การซ่อมบำรุง

- นำเครื่องมือไฟฟ้าเข้ารับบริการจากช่างซ่อมที่ผ่านการรับรองโดยใช้อะไหล่แบบเดียวกันเท่านั้น เพราะจะทำให้การใช้เครื่องมือไฟฟ้ามีความปลอดภัย
- ห้ามใช้ชุดแบตเตอรี่ที่เสียหาย ชุดแบตเตอรี่ที่ใช้ควรเป็นชุดที่มาจากผู้ผลิต หรือผู้ให้บริการที่ได้รับอนุญาตเท่านั้น
- ปฏิบัติตามคำแนะนำในการหล่อลื่นและการเปลี่ยนอุปกรณ์เสริม

#### คำเตือนด้านความปลอดภัยของไขควงกระแทกแบบไร้สาย

- ถือเครื่องมือไฟฟ้าบริเวณมือจับที่เป็นฉนวนขณะทำงานที่สายรัดอาจสัมผัสกับสายไฟที่ซ่อนอยู่ สายรัดที่สัมผัสกับสายไฟที่ "มีกระแสไฟฟ้าไหลผ่าน" อาจทำให้ส่วนที่เป็นโลหะของเครื่องมือไฟฟ้าที่ไม่มีฉนวนหุ้ม "มีกระแสไฟฟ้าไหลผ่าน" และทำให้ผู้ปฏิบัติงานถูกไฟฟ้าช็อตได้

#### ปฏิบัติตามคำแนะนำเหล่านี้

**⚠ คำเตือน:** อย่าให้ความไม่ระมัดระวังหรือความคุ้นเคยกับผลิตภัณฑ์ (จากการใช้งานซ้ำหลายครั้ง) อยู่เหนือการปฏิบัติตามกฎเกณฑ์ด้านความปลอดภัยในการใช้งานผลิตภัณฑ์อย่างเคร่งครัด

การใช้งานอย่างไม่เหมาะสมหรือการไม่ปฏิบัติตามกฎเกณฑ์ด้านความปลอดภัยในคู่มือการใช้งานนี้อาจทำให้ได้รับบาดเจ็บรุนแรง

#### คำแนะนำเพื่อความปลอดภัยที่สำคัญสำหรับดัลลิบบัดเตอร์

- ก่อนใช้งานดัลลิบบัดเตอร์ ให้อ่านคำแนะนำและเครื่องหมายเตือนทั้งหมดบน (1) เครื่องชาร์จแบตเตอรี่ (2) แบตเตอรี่ และ (3) ตัวผลิตภัณฑ์ที่ใช้แบตเตอรี่
- ห้ามถอดแยกส่วนดัลลิบบัดเตอร์
- หากระยะเวลาที่เครื่องทำงานสั้นเกินไป ให้หยุดใช้งานทันที เนื่องจากอาจมีความเสี่ยงที่จะร้อนจัด ไหม้หรือระเบิดได้
- หากสารละลายอิเล็กโทรไลต์กระเด็นเข้าตา ให้ล้างออกด้วยน้ำเปล่าและรีบไปพบแพทย์ทันที เนื่องจากอาจทำให้ตาบอด
- ห้ามลัดวงจรดัลลิบบัดเตอร์:
  - (1) ห้ามแตะขั้วกับวัตถุที่เป็นสื่อไฟฟ้าใดๆ



- (2) หลีกเลี่ยงการเก็บตลับแบตเตอรี่ไว้ในภาชนะร่วมกับวัตถุที่เป็นโลหะ เช่น กรรไกรตัดเล็บ เหยี่ยูชลย
- (3) อย่าให้ตลับแบตเตอรี่ถูกน้ำหรือฝน แบตเตอรี่ลัดวงจรอาจทำให้เกิดการไหลของกระแสไฟฟ้า ร้อนจัดไหม้หรือเสียหายได้
6. ห้ามเก็บเครื่องมือและตลับแบตเตอรี่ไว้ในสถานที่ที่มีอุณหภูมิสูงถึงหรือเกิน 50 °C
7. ห้ามเผาตลับแบตเตอรี่ทิ้ง แม้ว่าแบตเตอรี่จะเสียหายจนใช้การไม่ได้หรือเสื่อมสภาพแล้ว ตลับแบตเตอรี่อาจจะระเบิดในกองไฟ
8. ระวังอย่าทำแบตเตอรี่ตกหล่นหรือกระทบกระแทก
9. ห้ามใช้แบตเตอรี่ที่เสียหาย
10. แบตเตอรี่ลิเทียมไอออนที่มีมาให้เป็นไปตามข้อกำหนดของ Dangerous Goods Legislation สำหรับการขนส่งเพื่อการพาณิชย์ เช่น โดยบุคคลที่สาม ตัวแทนขนส่งสินค้า จะต้องตรวจสอบข้อกำหนดพิเศษในด้านการบรรจุหีบห่อหรือการติดป้ายสินค้าในการเตรียมสินค้าที่จะขนส่ง ให้ปรึกษาผู้เชี่ยวชาญด้านวัตถุอันตราย โปรดตรวจสอบข้อกำหนดในประเทศที่อาจมีรายละเอียดอื่นๆ เพิ่มเติม ให้ติดเทปหรือปิดหน้าสัมผัสและห่อแบตเตอรี่ในลักษณะที่แบตเตอรี่จะไม่เคลื่อนที่ไปมาในหีบห่อ
11. ปฏิบัติตามข้อบังคับในท้องถิ่นเกี่ยวกับการกำจัดแบตเตอรี่
12. ใช้แบตเตอรี่กับผลิตภัณฑ์ที่ระบุโดย Makita เท่านั้น การติดตั้งแบตเตอรี่ในผลิตภัณฑ์ที่ไม่ใช่ตามที่ระบุอาจทำให้เกิดไฟไหม้ ความร้อนสูง ระเบิด หรืออิเล็กทรอนิกส์รั่วไหลได้

## ปฏิบัติตามคำแนะนำเหล่านี้

**⚠ ข้อควรระวัง:** ใช้แบตเตอรี่ของแท้จาก Makita เท่านั้น การใช้แบตเตอรี่ Makita ที่ไม่แท้ หรือแบตเตอรี่ที่ถูกเปลี่ยน อาจทำให้แบตเตอรี่ระเบิด ก่อให้เกิดเพลิงลุกไหม้ การบาดเจ็บ และความเสียหายได้ และจะทำให้การรับประกันของ Makita สำหรับเครื่องมือและแท่นชาร์จของ Makita เป็นโมฆะด้วย

## เคล็ดลับในการรักษาอายุการใช้งานของแบตเตอรี่ให้ยาวนานที่สุด

1. ชาร์จตลับแบตเตอรี่ก่อนที่ไฟจะหมด หยุดการใช้งานแล้วชาร์จประจุไฟฟ้าใหม่ทุกครั้งเมื่อคุณรู้สึกว่าคุณปรารถนากำลังลดลง

2. อย่าชาร์จตลับแบตเตอรี่ที่มีไฟเต็มแล้ว การชาร์จประจุไฟฟ้ามากเกินไปอาจจะทำให้อายุการใช้งานของตลับแบตเตอรี่สั้นลง
3. ชาร์จประจุไฟฟ้าตลับแบตเตอรี่ในห้องที่มีอุณหภูมิระหว่าง 10 °C - 40 °C ปล่อยให้ตลับแบตเตอรี่เย็นลงก่อนที่จะชาร์จไฟ
4. ชาร์จไฟตลับแบตเตอรี่หากคุณไม่ต้องการใช้เป็นเวลานาน (เกินกว่าหกเดือน)

## คำอธิบายการทำงาน

**⚠ ข้อควรระวัง:** ตรวจสอบให้แน่ใจว่าได้ปิดสวิตช์เครื่องมือและถอดตลับแบตเตอรี่ออกก่อนปรับตั้งหรือตรวจสอบการทำงานของเครื่องมือ

## การใส่หรือการถอดตลับแบตเตอรี่

**⚠ ข้อควรระวัง:** ปิดสวิตช์เครื่องมือก่อนทำการติดตั้งหรือการถอดตลับแบตเตอรี่ทุกครั้ง

**⚠ ข้อควรระวัง:** ถือเครื่องมือและตลับแบตเตอรี่ให้แน่นในระหว่างการติดตั้งหรือการถอดตลับแบตเตอรี่ หากไม่ถือเครื่องมือและตลับแบตเตอรี่ให้แน่น อาจทำให้ตลับแบตเตอรี่และเครื่องมือลื่นหลุดมือ และทำให้เครื่องมือและตลับแบตเตอรี่เสียหายหรือได้รับบาดเจ็บได้

- หมายเลข 1: 1. ไฟแสดงสถานะสีแดง 2. ปุ่ม 3. ตลับแบตเตอรี่

เมื่อต้องการถอดตลับแบตเตอรี่ ให้เลื่อนปุ่มที่ด้านหน้าของตลับแล้วดึงออกจากเครื่องมือ

เมื่อต้องการติดตั้งตลับแบตเตอรี่ ให้จัดแนวสันบนตลับแบตเตอรี่ให้ตรงกับร่องบนตัวเครื่องมือ แล้วเลื่อนตลับแบตเตอรี่เข้าที่ ติดตั้งตลับแบตเตอรี่เข้าจนสุดจนกระทั่งได้ยินเสียงคลิกล็อกเข้าที่ หากยังเห็นส่วนสีแดงที่ด้านบนของปุ่ม แสดงว่าตลับแบตเตอรี่ยังไม่ล็อกเข้าที่

**⚠ ข้อควรระวัง:** ให้ดันตลับแบตเตอรี่เข้าจนสุดจนไม่เห็นส่วนสีแดงอีก ไม่เช่นนั้น ตลับแบตเตอรี่อาจหลุดออกจากเครื่องมือทำให้คุณหรือคนรอบข้างได้รับบาดเจ็บ

**⚠ ข้อควรระวัง:** อย่าฝืนติดตั้งตลับแบตเตอรี่โดยใช้แรงมากเกินไป หากตลับแบตเตอรี่ไม่เลื่อนเข้าไปโดยง่าย แสดงว่าใส่ไม่ถูกต้อง

## การระบุระดับพลังงานแบตเตอรี่ที่เหลืออยู่

สำหรับดัลบีแบตเตอรี่ที่มีตัวแสดงสถานะเท่านั้น

► หมายเลข 2: 1. ไฟแสดงสถานะ 2. ปุ่มตรวจสอบ

กดปุ่ม ตรวจสอบ บนดัลบีแบตเตอรี่เพื่อดูปริมาณแบตเตอรี่ที่เหลือ ไฟแสดงสถานะจะสว่างขึ้นเป็นเวลาสองสามวินาที

ไฟแสดงสถานะ			แบตเตอรี่ที่เหลือ
ไฟสว่าง	ดับ	กะพริบ	
■	□	▣	75% ถึง 100%
■ ■ ■ ■	■ ■ ■ ■	■ ■ ■ ■	
■ ■ ■ ■	■ ■ ■ ■	■ ■ ■ ■	50% ถึง 75%
■ ■ ■ ■	■ ■ ■ ■	■ ■ ■ ■	25% ถึง 50%
■ ■ ■ ■	■ ■ ■ ■	■ ■ ■ ■	0% ถึง 25%
■ ■ ■ ■	■ ■ ■ ■	■ ■ ■ ■	ชาร์จไฟแบตเตอรี่
■ ■ ■ ■	■ ■ ■ ■	■ ■ ■ ■	แบตเตอรี่อาจจะเสีย

หมายเหตุ: ขึ้นอยู่กับสภาพการใช้งานและอุณหภูมิ โดยรอบ การแสดงสถานะอาจจะแตกต่างจากปริมาณแบตเตอรี่จริงเล็กน้อย

## ระบบป้องกันเครื่องมือ/แบตเตอรี่

เครื่องมือมีระบบป้องกันเครื่องมือ/แบตเตอรี่ ระบบนี้จะตัดไฟที่ส่งไปยังมอเตอร์โดยอัตโนมัติเพื่อป้องกันการใช้งานเครื่องมือและแบตเตอรี่ เครื่องมือจะหยุดทำงานระหว่างการใช้งานโดยอัตโนมัติ หากเครื่องมือหรือแบตเตอรี่อยู่ภายใต้สถานการณ์ต่อไปนี้

### การป้องกันโอเวอร์โหลด

เมื่อแบตเตอรี่ทำงานในรูปแบบที่อาจจะดึงพลังงานไฟฟ้าสูงเกินไป เครื่องมือจะหยุดโดยอัตโนมัติโดยไม่มีการแจ้งเตือนใดๆ ในกรณีนี้ ให้ปิดเครื่องมือและหยุดการใช้งานในลักษณะที่อาจทำให้เครื่องมือทำงานหนักเกินไป แล้วเปิดเครื่องมือเพื่อเริ่มทำงานอีกครั้ง

## การป้องกันความร้อนสูงเกิน

เมื่อเครื่องมือ/แบตเตอรี่ร้อนเกินไป เครื่องมือจะหยุดโดยอัตโนมัติ ในกรณีนี้ ปล่อยให้เครื่องมือ/แบตเตอรี่เย็นลงก่อนที่จะเปิดเครื่องมืออีกครั้ง

## การป้องกันไฟหมด

เมื่อแบตเตอรี่มีระดับพลังงานไม่เพียงพอ เครื่องมือจะหยุดโดยอัตโนมัติ ในกรณีนี้ ให้ถอดแบตเตอรี่ออกจากเครื่องมือและนำแบตเตอรี่ไปชาร์จไฟ

**หมายเหตุ:** การป้องกันความร้อนสูงเกิน (สำหรับเครื่องมือ/แบตเตอรี่) จะทำงานกับแบตเตอรี่ที่มีเครื่องหมายดาวเท่านั้น

► หมายเลข 3: 1. เครื่องหมายดาว

## การทำงานของสวิตช์

► หมายเลข 4: 1. สวิตช์สั่งงาน

**⚠ ข้อควรระวัง:** ก่อนใส่ดัลบีแบตเตอรี่ลงในเครื่องมือให้ตรวจสอบว่าสวิตช์สั่งงานสามารถทำงานได้อย่างถูกต้องและกลับไปยังตำแหน่ง "ปิด" เมื่อปล่อย

เมื่อต้องการเปิดใช้เครื่องมือ ให้ดึงสวิตช์สั่งงาน ความเร็วเครื่องมือจะเพิ่มขึ้นเมื่อออกแรงกดที่สวิตช์สั่งงาน ปล่อยให้สวิตช์สั่งงานเพื่อหยุดทำงาน

**หมายเหตุ:** เครื่องมือจะหยุดทำงานโดยอัตโนมัติหากคุณดึงสวิตช์สั่งงานไว้นานเกิน 6 นาที

## การเปิดดวงไฟด้านหลัง

**⚠ ข้อควรระวัง:** อย่ามองเข้าไปในดวงไฟหรือจ้องดูแหล่งกำเนิดแสงโดยตรง

► หมายเลข 5: 1. ดวงไฟ

► หมายเลข 6: 1. ปุ่ม

ดึงสวิตช์สั่งงานเพื่อเปิดไฟ เมื่อต้องการปิด ให้ปล่อยสวิตช์สั่งงาน ดวงไฟจะดับลงภายในเวลาประมาณ 10 วินาทีหลังจากปล่อยสวิตช์สั่งงาน

เมื่อต้องการให้ไฟดับ ให้ปิดสถานะดวงไฟ กดแล้วปล่อยสวิตช์สั่งงานก่อน จากนั้นจึงกดปุ่ม **2** ค้างไว้ 1 วินาทีภายใน 10 วินาที

วิธีการเปิดสถานะดวงไฟขึ้นอีกครั้ง ให้กดปุ่มเดิมอีกครั้ง

**หมายเหตุ:** เมื่อต้องการตรวจสอบสถานะดวงไฟ ให้ดึงสวิตช์สั่งงาน หากดวงไฟเปิดสว่างขึ้นเมื่อดึงสวิตช์สั่งงาน แสดงว่าดวงไฟอยู่สถานะ ON หากดวงไฟไม่เปิดสว่างขึ้น แสดงว่าดวงไฟอยู่สถานะ OFF

**หมายเหตุ:** เมื่อเครื่องมือมีอุณหภูมิสูงเกินไป ดวงไฟจะกระพริบเป็นเวลาหนึ่งนาที หลังจากนั้นดวงไฟ LED จะดับลง ในกรณีนี้ ให้รอจนเครื่องมือเย็นลงก่อนแล้วค่อยใช้งานต่อ

**หมายเหตุ:** ใช้ผ้าแห้งเพื่อเช็ดสิ่งสกปรกออกจากเลนส์ของดวงไฟ ระวังอย่าขีดข่วนเลนส์ของดวงไฟ ไม่เช่นนั้น อาจทำให้ส่องสว่างได้น้อยลง

## การใช้งานสวิตช์เปลี่ยนทิศทาง

► **หมายเลข 7:** 1. ก้านสวิตช์เปลี่ยนทิศทาง

**⚠ ข้อควรระวัง:** ตรวจสอบทิศทางก่อนการใช้งานเสมอ

**⚠ ข้อควรระวัง:** ใช้สวิตช์เปลี่ยนทิศทางหลังจากเครื่องมือหยุดสนิทแล้วเท่านั้น การเปลี่ยนทิศทางก่อนเครื่องมือหยุดสนิทอาจทำให้เครื่องมือเสียหายได้

**⚠ ข้อควรระวัง:** เมื่อไม่ได้ใช้งานเครื่องมือ ให้เลื่อนก้านสวิตช์เปลี่ยนทิศทางไปที่ตำแหน่งปกติเสมอ

เครื่องมือนี้ไม่มีสวิตช์เปลี่ยนทิศทาง เพื่อใช้เปลี่ยนทิศทาง การหมุน ดันก้านสวิตช์เปลี่ยนทิศทางจากด้าน A เพื่อให้หมุนตามเข็มนาฬิกา หรือจากด้าน B เพื่อให้หมุนทวนเข็มนาฬิกา  
เมื่อก้านสวิตช์เปลี่ยนทิศทางอยู่ในตำแหน่งปกติ สวิตช์สั่งงานจะไม่สามารถดึงได้

## การปรับแรงกระแทก

► **หมายเลข 8:** 1. แรง 2. เบา 3. โหมด A 4. เปลี่ยนเป็นสามขั้น 5. ปุ่ม

คุณสามารถเปลี่ยนแรงกระแทกได้สามขั้น คือ โหมดแรง เบา และโหมด A

ซึ่งทำให้ขั้นแน่นได้เหมาะกับงาน

ทุกครั้งทีกดปุ่ม อัตราการกระแทกจะเปลี่ยนไปเรื่อยๆ จนครบสามระดับ

“โหมด A (โหมดช่วยเหลือ)” เป็นโหมดสำหรับชั้นสกรูที่มีการควบคุมที่ดีและใช้งานได้ง่าย

ในโหมดนี้ เครื่องมือจะขันสกรูโดยหมุนด้วยความเร็วต่ำก่อน หลังจากที่เครื่องมือเริ่มกระแทก ความเร็วในการหมุนจะเพิ่มขึ้นและทำความเร็วสูงสุด

คุณสามารถเปลี่ยนแรงกระแทกภายในเวลาประมาณหนึ่งนาทีหลังจากปล่อยสวิตช์สั่งงาน

ระดับแรงกระแทกที่ปรากฏบนแผงสวิตช์	อัตราเจาะกระแทกสูงสุด	วัตถุประสงค์	ตัวอย่างการใช้งาน
แรง 	3,900 min <sup>-1</sup> (/min)	ขันแน่นโดยใช้แรงและความเร็ว	การขันสกรูไม้ การขันน็อต
เบา 	1,600 min <sup>-1</sup> (/min)	ขันแน่นด้วยแรงที่น้อยลงเพื่อไม่ให้เกลียวสกรูแตกหัก	ขันแน่นสกรูวงกบ ขันแน่นสกรูขนาดเล็ก เช่น M6
โหมด A 	3,900 min <sup>-1</sup> (/min)	การขันสกรูโดยควบคุมได้ดีขึ้น	การขันสกรูยาว

**หมายเหตุ:** โหมด A สามารถใช้ได้เมื่อเครื่องมือหมุนตามเข็มนาฬิกาเท่านั้น เมื่อหมุนทวนเข็มนาฬิกาในโหมด A แรงกระทำและความเร็วจะเท่ากับโหมดแรง

**หมายเหตุ:** เมื่อไฟทุกดวงบนแผงสวิตช์ดับลง เครื่องมือจะปิดสวิตช์การทำงานเพื่อประหยัดพลังงานแบตเตอรี่ ระดับแรงกระทำสามารถตรวจสอบได้โดยการดึงสวิตช์สั่งงานหลังจากเครื่องมือหยุดทำงาน

**หมายเหตุ:** ในระหว่างการดึงสวิตช์สั่งงาน จะไม่สามารถเปลี่ยนระดับแรงกระทำได้

## การประกอบ

**⚠ ข้อควรระวัง:** ตรวจสอบให้แน่ใจว่าได้ปิดสวิตช์เครื่องมือและถอดด้ามแบตเตอรี่ออกก่อนดำเนินการใดๆ กับเครื่องมือ

## การติดตั้งและถอดดอกไขควงหรือหัวบ็อกซ์ดอกสว่าน

### อุปกรณ์เสริม

#### ▶ หมายเลข 9

ใช้เฉพาะดอกไขควงหรือหัวบ็อกซ์ที่มีแกนเสียบดิ่งที่แสดงในภาพ ห้ามใช้ดอกไขควง/หัวบ็อกซ์แบบอื่น

สำหรับเครื่องมือที่มีรูดอกไขควงต้น

A = 12 mm B = 9 mm	ใช้เฉพาะดอกไขควงชนิดนี้ โดยทำตามขั้นตอน 1 (หมายเหตุ) ไม่ต้องใช้ตัวต่อ
-----------------------	---

สำหรับเครื่องมือที่มีรูดอกไขควงลึก

A = 17 mm B = 14 mm	เมื่อต้องการติดตั้งดอกไขควงชนิดนี้ ให้ทำตามขั้นตอน 1
A = 12 mm B = 9 mm	เมื่อต้องการติดตั้งดอกไขควงชนิดนี้ ให้ทำตามขั้นตอน 2 (หมายเหตุ) ต้องใช้ตัวต่อเพื่อติดตั้งดอกไขควง

1. เมื่อต้องการติดตั้งดอกไขควง ให้ดึงปลอกตามทิศทางลูกศร และใส่ดอกไขควงลงในปลอกจนสุด จากนั้นปล่อยให้ปลอกเพื่อยึดดอกไขควง

▶ หมายเลข 10: 1. ดอกไขควง 2. ปลอก

2. เมื่อต้องการติดตั้งดอกไขควง ให้ดึงปลอกตามทิศทางลูกศร และใส่ตัวต่อและดอกไขควงลงในปลอกจนสุด ควรใส่ตัวต่อลงในปลอกโดยหันปลายแหลมเข้า จากนั้นปล่อยให้ปลอกเพื่อยึดดอกไขควง

▶ หมายเลข 11: 1. ดอกไขควง 2. ตัวต่อดอกไขควง 3. ปลอก

เมื่อต้องการถอดดอกไขควง ให้ดึงปลอกตามทิศทางลูกศร และดึงดอกไขควงออก

**หมายเหตุ:** หากใส่ดอกไขควงลงในปลอกลึกไม่เพียงพอ ปลอกจะไม่กลับคืนสู่ตำแหน่งเดิม และดอกไขควงจะไม่ถูกยึดแน่น ในกรณีนี้ ให้ลองใส่ดอกไขควงลงไปอีกครั้งตามคำแนะนำด้านบน

**หมายเหตุ:** หลังจากใส่ดอกไขควงแล้ว ตรวจสอบให้แน่ใจว่าดอกไขควงยึดแน่นดีแล้ว หากดอกไขควงหลุดออกมา ห้ามนำไปใช้งาน

## ขอเกี่ยวติดตั้ง

**⚠ ข้อควรระวัง:** เมื่อทำการติดตั้งขอเกี่ยว ให้ขันสกรูให้แน่นเสมอ ไม่เช่นนั้น ขอเกี่ยวอาจหลุดออกจากเครื่องมือและอาจทำให้ได้รับบาดเจ็บได้

▶ หมายเลข 12: 1. ร่อง 2. ขอเกี่ยว 3. สกรู

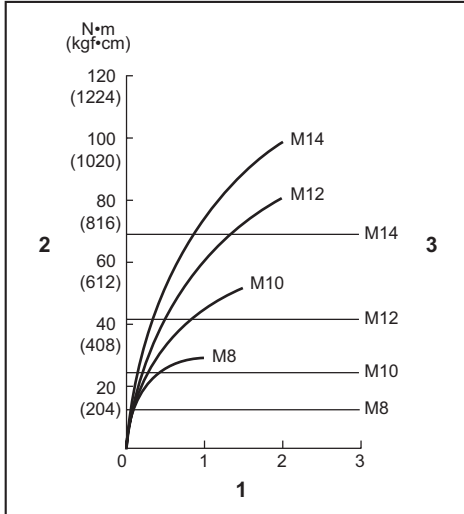
ขอเกี่ยวให้ความสะดวกสำหรับการแขวนเครื่องมือไว้ชั่วคราว ซึ่งสามารถติดตั้งไว้ที่ด้านใดด้านหนึ่งของเครื่องมือ เมื่อต้องการติดตั้งขอเกี่ยว ให้ใส่ขอเกี่ยวลงในร่องบนตัวเครื่องมือที่ด้านใดด้านหนึ่ง แล้วยึดติดไว้ด้วยสกรู เมื่อต้องการถอดออก ให้คลายสกรูแล้วดึงออกมา

# การใช้งาน

## ▶ หมายเลข 13

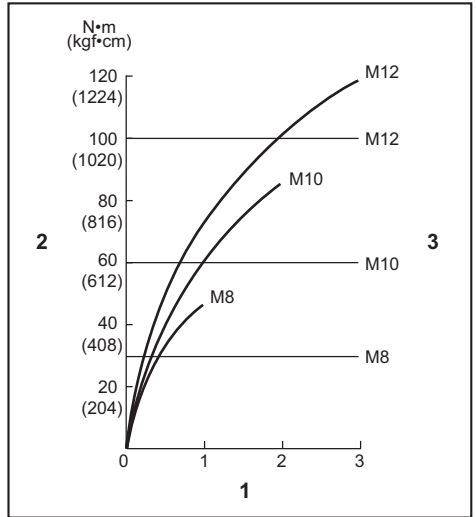
แรงบิดขั้นแน่นที่เหมาะสมอาจแตกต่างกันขึ้นอยู่กับชนิดหรือขนาดของสกรู/สลักเกลียว วัสดุของชิ้นงานที่จะขันแน่น ฯลฯ ความสัมพันธ์ระหว่างแรงบิดขั้นแน่นและเวลาขันแน่นจะแสดงอยู่ในภาพด้านล่าง

### สลักเกลียวมาตรฐาน



1. เวลาการขันแน่น (วินาที) 2. แรงบิดขั้นแน่น 3. แรงบิดในการขันที่เหมาะสมตามเส้นผ่านศูนย์กลางของน็อตแต่ละตัว

## สลักเกลียวทนแรงดึงสูง



1. เวลาการขันแน่น (วินาที) 2. แรงบิดขั้นแน่น 3. แรงบิดในการขันที่เหมาะสมตามเส้นผ่านศูนย์กลางของน็อตแต่ละตัว

จับเครื่องมือให้แน่น และวางปลายดอกไขควงที่หัวสกรู ออกแรงดันเครื่องมือเพื่อไม่ให้ดอกไขควงไถลออกจากสกรู และเปิดสวิตช์เครื่องมือเพื่อเริ่มใช้งาน

**ข้อสังเกต:** ถ้าคุณใช้แบตเตอรี่สำรองเพื่อทำงานต่อ ให้พักเครื่องมืออย่างน้อย 15 min

**หมายเหตุ:** ใช้ดอกไขควงที่เหมาะสมกับสกรู/สลักเกลียวที่คุณต้องการใช้

**หมายเหตุ:** เมื่อขันแน่นสกรู M8 หรือเล็กกว่า ให้เลือกแรงกระแทกที่เหมาะสมแล้วค่อยๆ ดันสวิตช์สั่งงานเพื่อไม่ให้สกรูเสียหาย

**หมายเหตุ:** จับเครื่องมือให้ตรงกับสกรู

**หมายเหตุ:** หากใช้แรงกระแทกมากเกินไปหรือใช้เวลานานเกินกว่าที่แสดงในภาพ สกรูหรือปลายดอกไขควงอาจรับแรงมากเกินไปทำให้เกลียวรูตหรือเสียหาย ก่อนที่จะเริ่มงาน ให้ทำการทดสอบเพื่อกำหนดเวลาขันแน่นที่เหมาะสมสำหรับสกรู

แรงบิดขึ้นแน่นอนอาจเปลี่ยนแปลงไปขึ้นอยู่กับปัจจัยต่างๆ ดังต่อไปนี้ หลังจากขั้นแน่นอน ให้ตรวจสอบแรงบิดด้วยประแจวัดแรงบิด

1. เมื่อพลังงานในตลับแบตเตอรี่ใกล้หมด แรงดันไฟฟ้าจะลดลงซึ่งทำให้แรงบิดขึ้นแน่นอนลดลง
2. ดอกไขควงหรือหัวมีดอคมือ การใช้หัวมีดอคมือขนาดไม่ถูกต้องจะทำให้แรงบิดขึ้นแน่นอนลดลง
3. สลักเกลียว
  - แม้ว่าค่าสัมประสิทธิ์แรงบิดและระดับของสลักเกลียวจะเท่ากัน แต่แรงบิดขึ้นแน่นอนที่เหมาะสมนั้นจะแตกต่างกันตามเส้นผ่านศูนย์กลางของสลักเกลียว
  - แม้ว่าเส้นผ่านศูนย์กลางของสลักเกลียวจะเท่ากัน แรงบิดขึ้นแน่นอนที่เหมาะสมจะแตกต่างกันตามค่าสัมประสิทธิ์แรงบิด ระดับของสลักเกลียว และความยาวของสลักเกลียว
4. ลักษณะการจับเครื่องมือหรือเนื้อวัสดุในตำแหน่งที่จะขึ้นแน่นอนจะมีผลต่อแรงบิด
5. การใช้งานเครื่องมือที่ความเร็วต่ำจะทำให้แรงบิดขึ้นแน่นอนลดลง

## อุปกรณ์เสริม

**⚠ ข้อควรระวัง:** ขอแนะนำให้ใช้เฉพาะอุปกรณ์เสริมหรืออุปกรณ์ต่อพ่วงเหล่านี้กับเครื่องมือ Makita ที่ระบุในคู่มือการใช้งานอุปกรณ์เสริมหรืออุปกรณ์ต่อพ่วงอื่นๆ อาจมีความเสี่ยงที่จะได้รับบาดเจ็บ ใช้อุปกรณ์เสริมหรืออุปกรณ์ต่อพ่วงตามวัตถุประสงค์ที่ระบุไว้เท่านั้น

หากต้องการทราบรายละเอียดเพิ่มเติมเกี่ยวกับอุปกรณ์เสริมเหล่านี้ โปรดสอบถามศูนย์บริการ Makita ใกล้บ้านคุณ

- ดอกไขควง
- หัวมีดอคมือ
- ดอกไขควง
- ขอบเกี่ยว
- ที่แขวนเครื่องมือ
- กระเป๋าถือพลาสติก
- แบตเตอรี่และเครื่องชาร์จ Makita ของแท้
- ตัวป้องกันแบตเตอรี่

**หมายเหตุ:** อุปกรณ์บางรายการอาจรวมอยู่ในชุดเครื่องมือเป็นอุปกรณ์มาตรฐาน ซึ่งอาจแตกต่างกันไปในแต่ละประเทศ

## การบำรุงรักษา

**⚠ ข้อควรระวัง:** ตรวจสอบให้แน่ใจว่าได้ปิดสวิตช์เครื่องมือและถอดตลับแบตเตอรี่ออกก่อนทำการตรวจสอบหรือบำรุงรักษา

**ข้อสังเกต:** อย่าใช้น้ำมันเชื้อเพลิง เบนซิน ทินเนอร์ แอลกอฮอล์ หรือวัสดุประเภทเดียวกัน เนื่องจากอาจทำให้สีซีดจาง เสียรูป หรือแตกร้าวได้

เพื่อความปลอดภัยและนำเชื้อเพลิงของผลิตภัณฑ์ ควรให้ศูนย์บริการหรือโรงงานที่ผ่านการรับรองจาก Makita เป็นผู้ดำเนินการซ่อมแซม บำรุงรักษาและทำการปรับตั้งอื่นๆ นอกจากนี้ให้ใช้อะไหล่ของแท้จาก Makita เสมอ



**Makita Corporation**  
3-11-8, Sumiyoshi-cho,  
Anjo, Aichi 446-8502 Japan  
[www.makita.com](http://www.makita.com)

885520C370  
EN, ID, VI, TH  
20190227