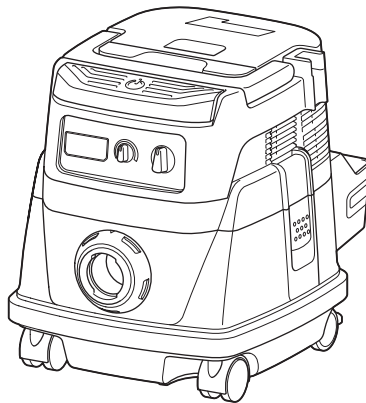




EN	Corded and Cordless Vacuum Cleaner	INSTRUCTION MANUAL	6
ZHCN	工业吸尘器	使用说明书	15
ID	Pengisap Debu Tanpa Kabel dan Dengan Kabel	PETUNJUK PENGGUNAAN	25
MS	Pembersih Hampagas Berkord dan Tanpa Kord	MANUAL ARAHAN	35
VI	Máy Hút Bụi Chăm Tay Hoạt Động Bằng Điện Và Pin	TÀI LIỆU HƯỚNG DẪN	45
TH	เครื่องดูดฝุ่นมีสายและไร้สาย	คู่มือการใช้งาน	54

DVC860L
DVC861L



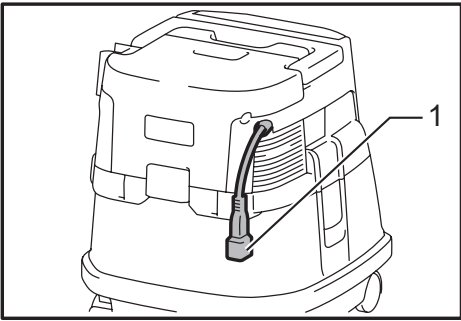


Fig.1

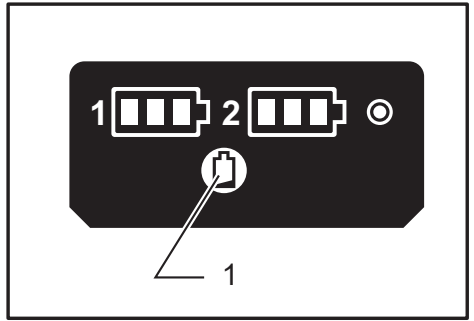


Fig.5

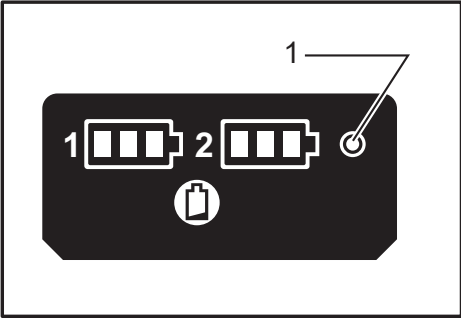


Fig.2

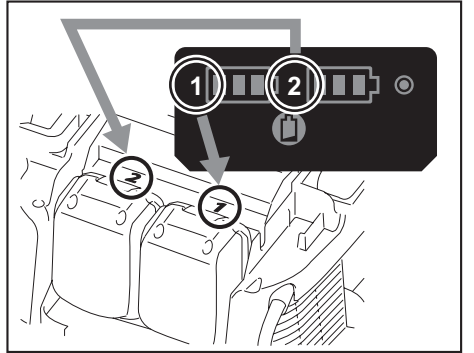


Fig.6

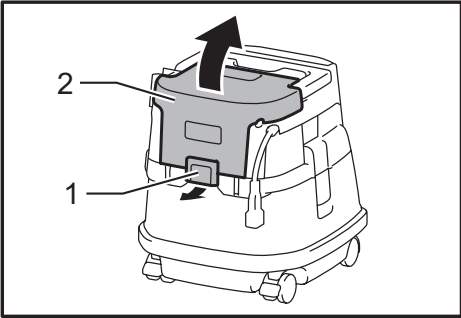


Fig.3

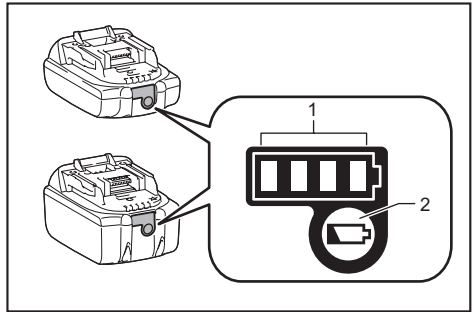


Fig.7

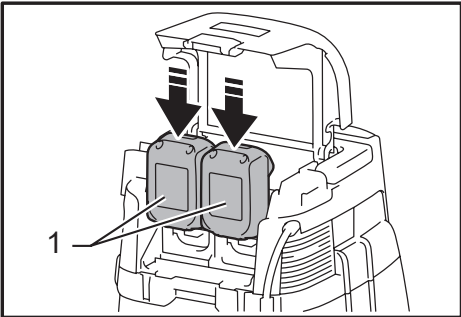


Fig.4

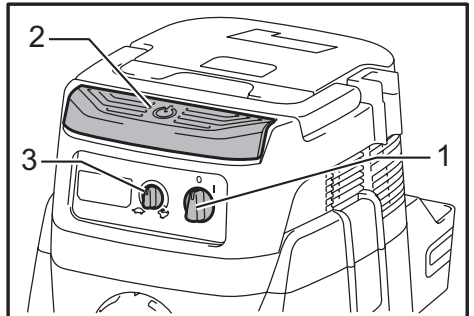


Fig.8

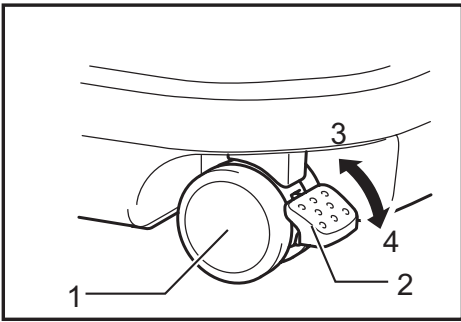


Fig.9

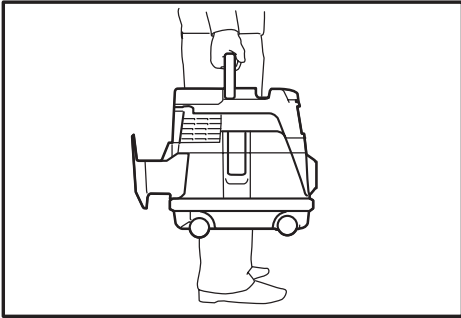


Fig.10

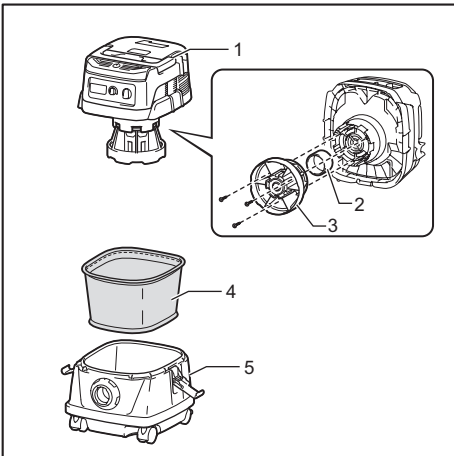


Fig.11

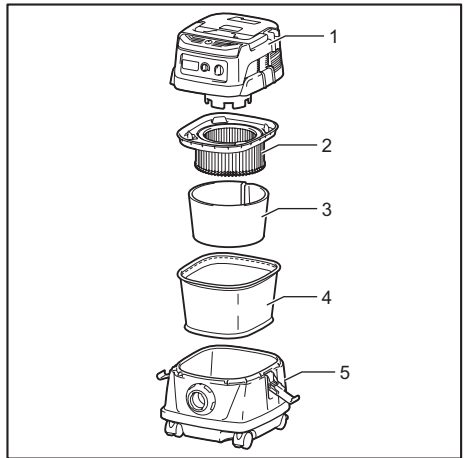


Fig.12

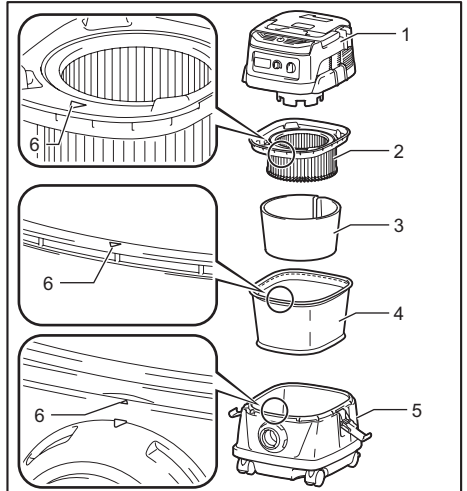


Fig.13

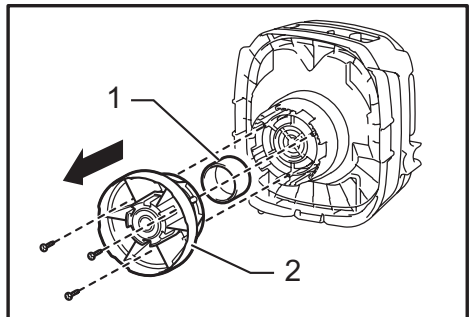


Fig.14

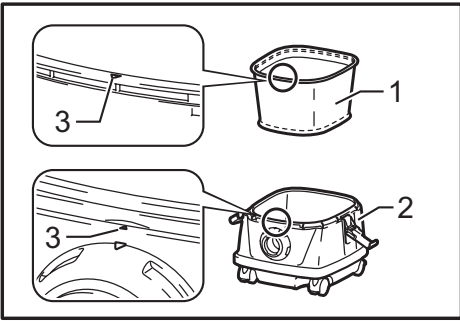


Fig.15

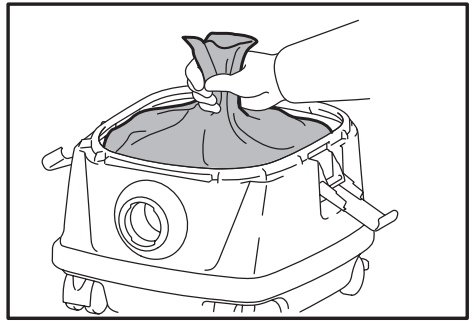


Fig.19

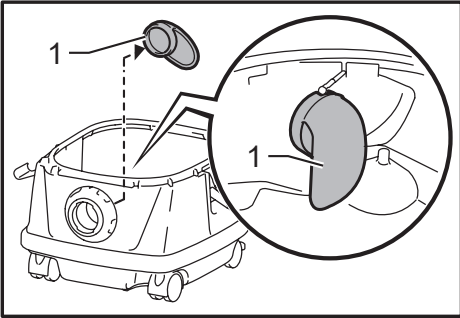


Fig.16

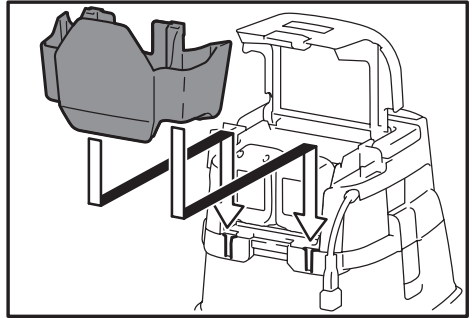


Fig.20

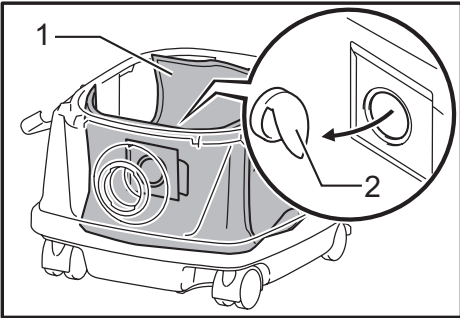


Fig.17

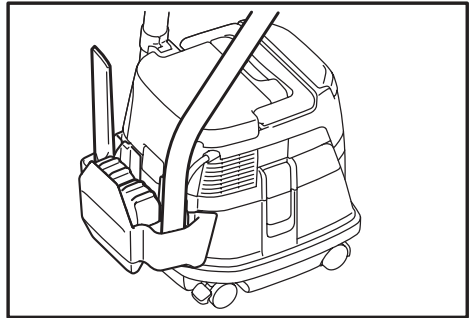


Fig.21

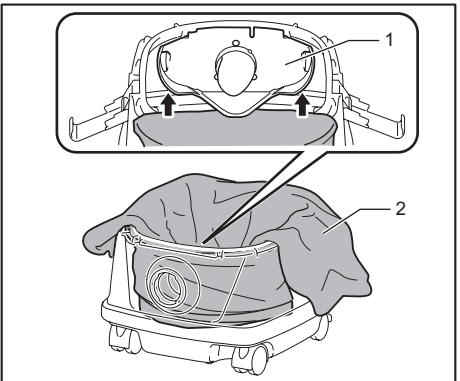


Fig.18

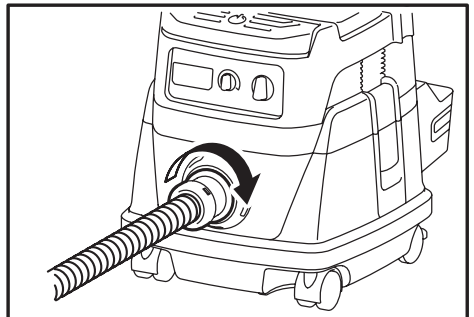


Fig.22

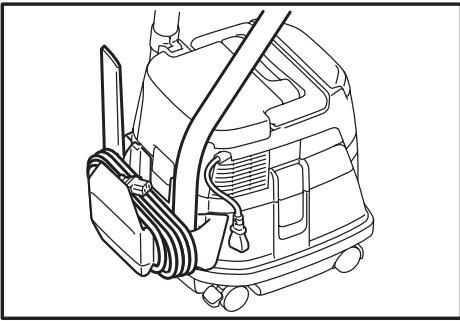


Fig.23

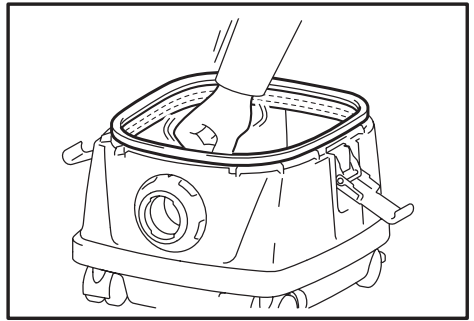


Fig.27

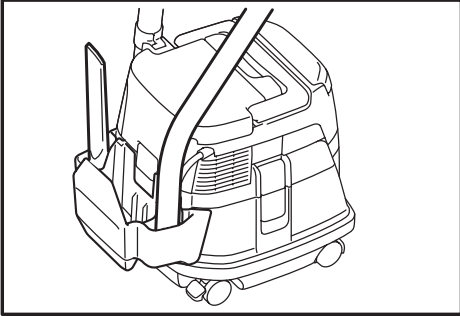


Fig.24

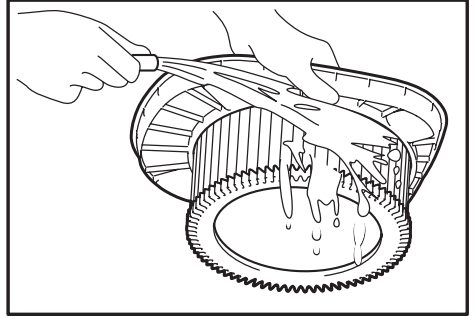


Fig.28

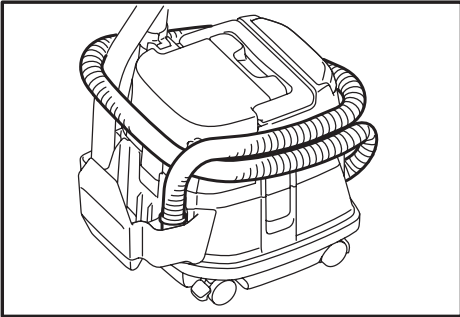


Fig.25

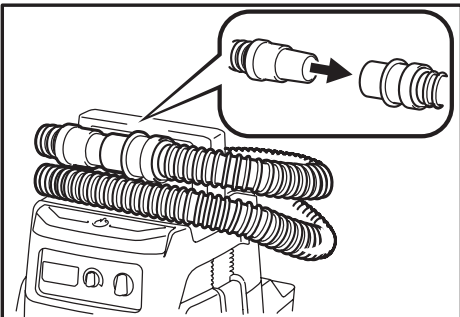


Fig.26

WARNING

- This machine is not intended for use by persons including children with reduced physical, sensory or mental capabilities, or lack of experience and knowledge.
- Children should be supervised to ensure that they do not play with the cleaner.
- If the supply cord is damaged, it must be replaced by the authorized service facility.
- See the chapter "SPECIFICATIONS" for the type reference of the battery.
- See the section "Installing or removing battery cartridge" for how to remove or install the battery.
- When disposing of the battery cartridge, remove it from the tool and dispose of it in a safe place. Follow your local regulations relating to disposal of battery.
- If the tool is not used for a long period of time, the battery must be removed from the tool.
- Do not short the battery cartridge.
- See the chapter "MAINTENANCE" for the appropriate details of precautions during user maintenance.

SPECIFICATIONS

Model		DVC860L	DVC861L
Standard filter type		Cloth filter (for dry and wet dust)	Powder filter (for dry dust)
Volume flow (air)	DC operation (with BL1830, ø38 mm x 2.5 m hose)	2.1 m ³ /min	
	AC operation (with ø38 mm x 2.5 m hose)	3.6 m ³ /min	
Vacuum	DC operation (with BL1830, ø38 mm x 2.5 m hose)	90 hPa	
	AC operation (with ø38 mm x 2.5 m hose)	240 hPa	
Recoverable capacity	Dust	8 L	
	Water	6 L	-
Dimensions (L x W x H)		366 mm x 334 mm x 368 mm	
Electric ratings with AC operation		Depends on the country. Refer to the nameplate.	
Rated voltage (operation with batteries)		DC 36 V	
Net weight		8.6 - 9.2 kg	9.3 - 9.9 kg
Protection degree		IPX4	
Safety class		□/II	

- Due to our continuing program of research and development, the specifications herein are subject to change without notice.
- Specifications and battery cartridge may differ from country to country.
- The weight does not include accessories but battery cartridge(s). The lightest and heaviest combination weight of the appliance and battery cartridge(s) are shown in the table.
- For wet dust, the float and the water filter or cloth filter are required.

Applicable battery cartridge and charger

Battery cartridge	BL1815N / BL1820B / BL1830B / BL1840B / BL1850B / BL1860B
Charger	DC18RC / DC18RD / DC18RE / DC18SD / DC18SE / DC18SF / DC18SH

- Some of the battery cartridges and chargers listed above may not be available depending on your region of residence.

⚠ WARNING: Only use the battery cartridges and chargers listed above. Use of any other battery cartridges and chargers may cause injury and/or fire.

Symbols

The followings show the symbols which may be used for the equipment. Be sure that you understand their meaning before use.

	Read instruction manual.
	Take particular care and attention.
	Warning! The cleaner may contain hazardous dust.
	Never stand on the cleaner.
	Dust class L (light). The cleaners are capable of picking up dust class L. Follow your country's regulations relating to dusts and to occupational health and safety.
	DOUBLE INSULATION
	Ni-MH Li-ion
	Only for EU countries Due to the presence of hazardous components in the equipment, waste electrical and electronic equipment, accumulators and batteries may have a negative impact on the environment and human health. Do not dispose of electrical and electronic appliances or batteries with household waste! In accordance with the European Directive on waste electrical and electronic equipment and on accumulators and batteries and waste accumulators and batteries, as well as their adaptation to national law, waste electrical equipment, batteries and accumulators should be stored separately and delivered to a separate collection point for municipal waste, operating in accordance with the regulations on environmental protection. This is indicated by the symbol of the crossed-out wheeled bin placed on the equipment.

Intended use

The tool is suitable for commercial use, for example in hotels, schools, hospitals, factories, shops, offices and rental businesses.

DVC860L

The tool is intended for collecting both wet and dry dust.

DVC861L

The tool is intended for collecting dry dust only.

Power supply

The tool should be connected only to a power supply of the same voltage as indicated on the nameplate, and can only be operated on single-phase AC supply. They are double-insulated and can, therefore, also be used from sockets without earth wire.

Corded and cordless vacuum cleaner safety warnings

⚠ WARNING: IMPORTANT! READ CAREFULLY all safety warnings and all instructions BEFORE USE. Failure to follow the warnings and instructions may result in electric shock, fire and/or serious injury.

1. **Before use, make sure that this cleaner must be used by people who have been adequately instructed on the use of this cleaner.**
2. **Before use, operators shall be provided with information, instruction and training for the use of the machine and the substances for which it is to be used, including the safe method of removal and disposal of the material collected.**
3. **If foam/liquid comes out, switch off immediately.**
4. **Clean the water level limiting device regularly and examine it for signs of damage.**
5. **Do not use the cleaner without the filter. Replace a damaged filter immediately.**
6. **USE OF EXTENSION CORD.** When using an extension cord because of the great distance to your power source, try to employ a cord that is sufficiently thick but not too long, or cleaner performance will be adversely affected. For outdoor applications use an extension cord suitable for outdoor use.
7. **VOLTAGE WARNING:** Before connecting the cleaner to a power source (receptacle, outlet, etc.) be sure the voltage supplied is the same as that specified on the nameplate of the cleaner. A power source with voltage greater than that specified for the cleaner can result in **SERIOUS INJURY** to the operator as well as damage to the cleaner. If in doubt, **DO NOT PLUG IN THE CLEANER.** Using a power source with voltage less than the nameplate rating is harmful to the motor.
8. **AVOID UNINTENTIONAL STARTING.** Be sure switch is **OFF** when plugging in.
9. **Do not attempt to pick up flammable materials, fire works, lighted cigarettes, hot ashes, hot metal chips, sharp materials such as razors, needles, broken glass or the like.**
10. **NEVER USE THE CLEANER IN THE VICINITY OF GASOLINE, GAS, PAINT, ADHESIVES OR OTHER HIGHLY EXPLOSIVE SUBSTANCES.** The switch emits sparks when turned **ON** and **OFF**. And so does the motor commutator during operation. A dangerous explosion may result.
11. **Never vacuum up toxic, carcinogenic, combustible or other hazardous materials such as asbestos, arsenic, barium, beryllium, lead, pesticides, or other health endangering materials.**
12. **Always place the cleaner on a horizontal flat surface to prevent it from falling or moving unintentionally.**
13. **Never use the cleaner outdoors in the rain.**

14. For Finland, this machine is not to be used outdoors at low temperature.
 15. Do not use close to heat sources (stoves, etc.).
 16. If the exhaust air is returned to the room, it is necessary to provide for an adequate air change rate in the room. Reference to National regulations is necessary.
 17. **GUARD AGAINST ELECTRIC SHOCK.** Prevent body contact with grounded surfaces. For example; pipes, radiators, ranges, refrigerator enclosures.
 18. Do not block cooling vents. These vents permit cooling of the motor. Blockage should be carefully avoided otherwise the motor will burn out from lack of ventilation.
 19. Keep proper footing and balance at all times.
 20. **DO NOT ABUSE CORD.** Never carry the cleaner by cord or yank it to disconnect from receptacle. Keep cord away from heat, oil, and sharp edges. Inspect cleaner cords periodically and if damaged, have repaired by authorized service facility. Inspect extension cords periodically and replace if damaged.
 21. Do not fold, tug or step on the hose.
 22. Stop the cleaner immediately if you notice poor performance or anything abnormal during operation.
 23. **DISCONNECT THE CLEANER.** When not in use, before servicing, and when changing accessories.
 24. Clean and service the cleaner immediately after each use to keep it in tiptop operating condition.
 25. **MAINTAIN THE CLEANER WITH CARE.** Keep the cleaner clean for better and safer performance. Follow instructions for changing accessories. Keep handles dry, clean, and free from oil and grease.
 26. **CHECK DAMAGED PARTS.** Before further use of the cleaner, a guard or other part that is damaged should be carefully checked to determine that it will operate properly and perform its intended function. Check for alignment of moving parts, binding of moving parts, breakage of parts, mounting, and any other conditions that may affect its operation. A guard or other part that is damaged should be properly repaired or replaced by an authorized service center unless otherwise indicated elsewhere in this instruction manual. Have defective switches replaced by authorized service center. Don't use the cleaner if switch does not turn it on and off.
 27. For user servicing, the machine shall be dismantled, cleaned and serviced, as far as is reasonably practicable, without causing risk to the maintenance staff and others.
 28. The machine should be technically inspected by the manufacturer, or an instructed person, at least annually, consisting of, for example, inspection of filters for damage, air tightness of the machine and proper function of the control mechanism.
 29. When carrying out service or repair operations, all contaminated items which cannot be satisfactorily cleaned are to be disposed of; such items shall be disposed of in impervious bags in accordance with any current regulation for the disposal of such waste.
 30. **REPLACEMENT PARTS.** When servicing, use only identical replacement parts.
 31. When not in use, always store the cleaner indoors.
 32. Wet filters and the interior part of the liquid container shall be dried before storage.
 33. Be kind to your cleaner. Rough handling can cause breakage of even the most sturdily built cleaner.
 34. Do not attempt to clean the exterior or interior with benzine, thinner or cleaning chemicals. Cracks and discoloration may be caused.
 35. Do not use cleaner in an enclosed space where flammable, explosive or toxic vapors are given off by oil-base paint, paint-thinner, gasoline, some mothproofing substances, etc., or in areas where flammable dust is present.
 36. Do not leave the cleaner cord lying on the floor after you have finished a cleaning job. It can become a tripping hazard or may cause damage to the cleaner.
 37. Do not operate the cleaner or any tool while under the influence of drugs or alcohol.
 38. As a basic rule of safety, use safety goggles or safety glasses with side shields.
 39. Use a dust mask in dusty work conditions.
 40. This machine is not intended for use by persons including children with reduced physical, sensory or mental capabilities, or lack of experience and knowledge.
 41. Children should be supervised to ensure that they do not play with the cleaner.
 42. Never handle plug cord or cleaner with wet hands.
 43. Use extreme caution when cleaning on stairs.
 44. Do not use the cleaner as a stool or work bench. The machine may fall down and may result in personal injury.
- Battery tool use and care**
1. Recharge only with the charger specified by the manufacturer. A charger that is suitable for one type of battery pack may create a risk of fire when used with another battery pack.
 2. Use power tools only with specifically designated battery packs. Use of any other battery packs may create a risk of injury and fire.
 3. When battery pack is not in use, keep it away from other metal objects, like paper clips, coins, keys, nails, screws or other small metal objects, that can make a connection from one terminal to another. Shorting the battery terminals together may cause burns or a fire.
 4. Under abusive conditions, liquid may be ejected from the battery; avoid contact. If contact accidentally occurs, flush with water. If liquid contacts eyes, additionally seek medical help. Liquid ejected from the battery may cause irritation or burns.

5. **Do not use a battery pack or tool that is damaged or modified.** Damaged or modified batteries may exhibit unpredictable behaviour resulting in fire, explosion or risk of injury.
6. **Do not expose a battery pack or tool to fire or excessive temperature.** Exposure to fire or temperature above 130 °C may cause explosion.
7. **Follow all charging instructions and do not charge the battery pack or tool outside the temperature range specified in the instructions.** Charging improperly or at temperatures outside the specified range may damage the battery and increase the risk of fire.
10. **The contained lithium-ion batteries are subject to the Dangerous Goods Legislation requirements.**
For commercial transports e.g. by third parties, forwarding agents, special requirement on packaging and labeling must be observed. For preparation of the item being shipped, consulting an expert for hazardous material is required. Please also observe possibly more detailed national regulations.
Tape or mask off open contacts and pack up the battery in such a manner that it cannot move around in the packaging.

SAVE THESE INSTRUCTIONS.

⚠WARNING: DO NOT let comfort or familiarity with product (gained from repeated use) replace strict adherence to safety rules for the subject product. MISUSE or failure to follow the safety rules stated in this instruction manual may cause serious personal injury.

Important safety instructions for battery cartridge

1. **Before using battery cartridge, read all instructions and cautionary markings on (1) battery charger, (2) battery, and (3) product using battery.**
2. **Do not disassemble or tamper with the battery cartridge.** It may result in a fire, excessive heat, or explosion.
3. **If operating time has become excessively shorter, stop operating immediately.** It may result in a risk of overheating, possible burns and even an explosion.
4. **If electrolyte gets into your eyes, rinse them out with clear water and seek medical attention right away.** It may result in loss of your eyesight.
5. **Do not short the battery cartridge:**
 - (1) **Do not touch the terminals with any conductive material.**
 - (2) **Avoid storing battery cartridge in a container with other metal objects such as nails, coins, etc.**
 - (3) **Do not expose battery cartridge to water or rain.**

A battery short can cause a large current flow, overheating, possible burns and even a breakdown.
6. **Do not store and use the tool and battery cartridge in locations where the temperature may reach or exceed 50 °C (122 °F).**
7. **Do not incinerate the battery cartridge even if it is severely damaged or is completely worn out.** The battery cartridge can explode in a fire.
8. **Do not nail, cut, crush, throw, drop the battery cartridge, or hit against a hard object to the battery cartridge.** Such conduct may result in a fire, excessive heat, or explosion.
9. **Do not use a damaged battery.**
11. **When disposing the battery cartridge, remove it from the tool and dispose of it in a safe place.** Follow your local regulations relating to disposal of battery.
12. **Use the batteries only with the products specified by Makita.** Installing the batteries to non-compliant products may result in a fire, excessive heat, explosion, or leak of electrolyte.
13. **If the tool is not used for a long period of time, the battery must be removed from the tool.**
14. **During and after use, the battery cartridge may take on heat which can cause burns or low temperature burns.** Pay attention to the handling of hot battery cartridges.
15. **Do not touch the terminal of the tool immediately after use as it may get hot enough to cause burns.**
16. **Do not allow chips, dust, or soil stuck into the terminals, holes, and grooves of the battery cartridge.** It may result in poor performance or breakdown of the tool or battery cartridge.
17. **Unless the tool supports the use near high-voltage electrical power lines, do not use the battery cartridge near high-voltage electrical power lines.** It may result in a malfunction or breakdown of the tool or battery cartridge.
18. **Keep the battery away from children.**

SAVE THESE INSTRUCTIONS.

⚠CAUTION: Only use genuine Makita batteries. Use of non-genuine Makita batteries, or batteries that have been altered, may result in the battery bursting causing fires, personal injury and damage. It will also void the Makita warranty for the Makita tool and charger.

Tips for maintaining maximum battery life

1. **Charge the battery cartridge before completely discharged.** Always stop tool operation and charge the battery cartridge when you notice less tool power.
2. **Never recharge a fully charged battery cartridge.** Overcharging shortens the battery service life.
3. **Charge the battery cartridge with room temperature at 10 °C - 40 °C (50 °F - 104 °F).** Let a hot battery cartridge cool down before charging it.
4. **When not using the battery cartridge, remove it from the tool or the charger.**

5. **Charge the battery cartridge if you do not use it for a long period (more than six months).**

FUNCTIONAL DESCRIPTION

Use with AC power:

⚠️ WARNING:

- **Before plugging the cleaner, always make sure that the cleaner is switched off.** Plugging the cleaner with the switch on may cause an unexpected start resulting in serious personal injury.

- **Fig.1:** 1. Plug (the shape and cord length may differ from country to country)

Connect the plug to a power supply.

- **Fig.2:** 1. AC power indicator

The AC power indicator lights up when setting the stand-by switch to "I" side.

NOTE:

- Even operating in DC power mode, the tool is automatically changed into AC power mode when plugged in.
- If the tool is unplugged during operation with the battery inserted, the cleaner gets into stand-by state.

Use with battery:

Installing or removing battery cartridge

⚠️ CAUTION:

- Always be sure that the cleaner is switched off, unplugged, and the battery cartridge is removed before adjusting or checking function on the tool.
- **Hold the cleaner and the battery cartridge firmly when installing or removing battery cartridge.** Failure to hold the cleaner and the battery cartridge firmly may cause them to slip off your hands and result in damage to the cleaner and battery cartridge and a personal injury.
- **Be careful not to pinch your fingers when opening or closing the battery cover.** Failure to do so may cause personal injury.

- **Fig.3:** 1. Lock 2. Battery cover

To install the battery cartridge, release the lock first, and open the battery cover. And then, insert the battery cartridge.

- **Fig.4:** 1. Battery cartridge

Align the tongue on the battery cartridge with the groove in the housing and slip it into place. Insert it all the way until it locks in place with a little click. Then lock the battery cover.

To remove the battery cartridge, slide it from the tool while sliding the button on the front of the cartridge.

NOTICE:

- Remove the plug of the cleaner from the extension cord when using the cleaner with the batteries.

⚠️ CAUTION:

- Always install the battery cartridge fully in place. If not, it may accidentally fall out of the tool, causing injury to you or someone around you.
- Do not install the battery cartridge forcibly. If the cartridge does not slide in easily, it is not being inserted correctly.

NOTE:

- The cleaner does not work with only one battery cartridge.

Tool / battery protection system

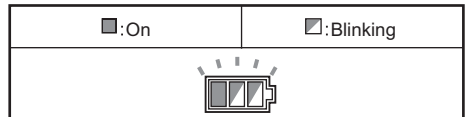
The tool is equipped with a tool/battery protection system. This system automatically cuts off power to the motor to extend tool and battery life.

The tool will automatically stop during operation if the tool or battery is placed under one of the following conditions. In some conditions, the indicators light up.

Overload protection

If the tool is overloaded, the tool stops automatically. In this situation, turn the tool off and stop the application that caused the tool to become overloaded. Then turn the tool on to restart.

Overheat protection for tool



When the tool is overheated, the tool stops automatically, and the battery indicator blink about 60 seconds. In this situation, let the tool cool down before turning the tool on again.

Overdischarge protection

When the battery capacity becomes low, the tool stops automatically. If the product does not operate even when the switches are operated, remove the batteries from the tool and charge the batteries.

Remaining battery capacity indication

- **Fig.5:** 1. CHECK button

- **Fig.6**

Press the check button to make the battery indicators show the remaining battery capacities. The battery indicators correspond to each battery.

Remaining battery capacity indication

Battery indicator status	Remaining battery capacity
■:On □:Off ▨:Blinking	
	50% - 100%
	20% - 50%
	0% - 20%
	Charge the battery

Indicating the remaining battery capacity

Only for battery cartridges with the indicator

► Fig.7: 1. Indicator lamps 2. Check button

Press the check button on the battery cartridge to indicate the remaining battery capacity. The indicator lamps light up for a few seconds.

Indicator lamps			Remaining capacity
Lighted	Off	Blinking	
■	■	■	75% to 100%
■	■	□	50% to 75%
■	□	□	25% to 50%
■	□	□	0% to 25%
▨	□	□	Charge the battery.
■	□	□	The battery may have malfunctioned.
□	□	■	

NOTE: Depending on the conditions of use and the ambient temperature, the indication may differ slightly from the actual capacity.

NOTE: The first (far left) indicator lamp will blink when the battery protection system works.

Switch action

► Fig.8: 1. Stand-by switch 2. Power button 3. Suction force adjusting knob

To start the cleaner:

1. Set the stand-by switch to the "I" side. The cleaner gets into stand-by state.
2. Press the power button.

To make the cleaner get into stand-by mode, press the power button again.

To turn off the cleaner, set the stand-by switch to the "O" side.

The suction power can be adjusted according to your work need.

Suction power can be increased by turning the suction force adjusting knob from the symbol to the symbol.

NOTICE:

- Always set the stand-by switch to the "O" side when not using the cleaner for long time. The cleaner consumes power during stand-by state.

Auto-suction stop during wet suction operation (for the cloth filter model)

⚠WARNING:

- **Do not use for a long time while the float is at work.** Using the cleaner with its float at work for a long time can cause overheat, resulting in the cleaner deformation.
- **Do not pick up foam or soapy liquid.** Picking up foam or soapy liquid can cause foam to come out of air exit before the float works. Continuing to using in this condition may cause an electric shock and breakage of the cleaner.

Auto-suction stop works only when using with the float and float cage.

The cleaner has a float mechanism that prevents water from immersing into the motor when picking up more than a certain amount of water.

When the tank is full and the cleaner no longer picks up water, switch off the cleaner and empty the tank.

Locking or unlocking the caster

► Fig.9: 1. Caster 2. Stopper lever 3. FREE position 4. LOCK position

To lock the caster with a stopper, lower the stopper lever and the caster no longer will rotate. To release the caster from the locked position, raise the stopper lever. Locking the caster is convenient when storing the cleaner, stopping the work on the way and keeping the cleaner still.

To operate the stopper, move it by hand.

NOTE:

- When moving the cleaner, make sure that the caster is unlocked. Moving the cleaner with the caster in the locked position may cause damage to the caster.

Carriage handle

► Fig.10

When carrying the cleaner, carry it by holding the handle on the head. The handle is retractable at the head when not in use.

PARTS DESCRIPTION

Model DVC860L

(Cloth filter (for dry and wet dust) model)

► **Fig.11:** 1. Tank cover 2. Float 3. Float cage 4. Cloth filter 5. Tank

Model DVC861L

(Powder filter (for dry dust) model)

► **Fig.12:** 1. Tank cover 2. Powder filter (HEPA) 3. Damper 4. Prefilter 5. Tank

ASSEMBLY

⚠ CAUTION:

- Always be sure that the cleaner is switched off, unplugged, and the battery cartridge is removed before carrying out any work on the cleaner.
- Always wear dust mask during assembly or maintenance.

Installing the powder filter (HEPA) and prefilter (for dry dust)

Optional accessory for cloth filter model

⚠ CAUTION:

- Never pick up water or other liquids or wet dusts when using the powder filter. Picking up such things may cause the powder filter breakage.

► **Fig.13:** 1. Tank cover 2. Powder filter (HEPA) 3. Damper 4. Prefilter 5. Tank 6. Mounting position marking

► **Fig.14:** 1. Float 2. Float cage

To use powder filter, remove the float cage and float by removing the bolts.

Place the prefilter in the tank.

Next, mount the damper on the powder filter and then place them in the prefilter.

When installing powder filter and prefilter, align the mounting position marking on each of them with that one at the top of the tank.

Finally, mount the tank cover and lock it.

NOTE:

- Before using the powder filter, make sure that prefilter and damper are always used together. It is not allowed to install powder filter solely.

Installing the water filter (for cloth filter model) (optional accessory)

⚠ CAUTION:

- Never pick up water or wet dust without the float and the cloth filter or the water filter.
- For picking up wet dust, make sure that the float cage and the float are installed on the cleaner.
- When installing the water filter on the tank, set it tight at the opening of the tank so that the hook of the water filter engages the tank opening firmly and there is no space between the water filter and the tank.

NOTICE:

- It is recommended using water filter when picking up large amount of water repeatedly. Otherwise vacuum ability may be reduced in case of cloth filter.

► **Fig.15:** 1. Water filter 2. Tank 3. Mounting position marking

To pick up water or wet dust only, the water filter is more suitable than the cloth filter.

When installing the water filter, align its mounting position mark with the one on the tank.

Installing the paper pack (optional accessory)

⚠ WARNING:

- When using the paper pack, also use the cloth filter or prefilter together that is preinstalled on the tool. Failure to use the cloth filter / prefilter together may cause unusual noise and heat, resulting in a fire.

⚠ CAUTION:

(For the cloth filter model)

- Never pick up water or other liquids or wet dusts when using the paper pack. Picking up such things may cause the paper pack breakage.
- Before using the paper pack, make sure that powder filter (optional accessory), damper (optional accessory) and prefilter are always used together.

(For the powder filter model)

- Before using the paper pack, make sure that powder filter, damper and prefilter are always used together.

1. Remove the rubber holder.

► **Fig.16:** 1. Rubber holder

2. Extend the paper pack.

3. Align the paper pack opening with the dust suction opening of the cleaner.

4. Insert the cardboard of the paper pack onto the holder so that it is positioned at the end beyond the detent protrusion.

► **Fig.17:** 1. Paper pack 2. Holder

Installing the polyethylene bag

Cleaner can also be used without polyethylene bag. However, using polyethylene bag is easier to empty the tank without letting your hands dirty.

► **Fig.18:** 1. Holder plate 2. Polyethylene bag

Spread the polyethylene bag in the tank. Insert it between the holder plate and the tank, and pull it to the hose inlet.

Spread the bag around the top of the tank so that the prefilter edge can catch and hold the bag securely.

NOTE:

- A polyethylene bag available on the market can be used. 0.04 mm or thicker one is recommended.
- Too much dust will tear the bag easily, so do not collect the dust more than the half of the bag capacity.

Emptying the polyethylene bag

⚠ WARNING:

- Always make sure that the cleaner is switched off and unplugged before emptying the polyethylene bag. Failure to do so may cause an electric shock and serious personal injury.

⚠ CAUTION:

- Do not apply a great impact on the float cage and tank. Applying a great impact may cause deformation and damage to the parts.
- Empty the tank at least once a day although this depends on picked-up dust volume in the tank. Or, the suction force will weaken and the motor may be broken.
- Do not grab the hook when emptying the tank. Grabbing the hook may cause the hook to break.

Unhook and lift up the tank cover.

► **Fig.19**

Shake off the dust from the cloth filter / powder filter and then take the polyethylene bag out of the tank.

NOTE:

- Take the polyethylene bag carefully out of the tank so that the polyethylene bag cannot be caught and torn by the protrusion inside the tank when emptying it.
- Empty the polyethylene bag before it becomes full. Too much dust in the tank may cause the polyethylene bag to be torn.

Installing the tool box

► **Fig.20**

1. Release the lock of the battery cover, and open the battery cover.
2. Set the rails on the tool box along the grooves on the housing.
3. Close the battery cover and apply the lock.

► **Fig.21**

The tool box is convenient for carrying batteries, extension code, pipe, or cuffs.

Connecting the hose

⚠ CAUTION:

- Never force the hose for bending or stamp it. Never move the cleaner by a hose. Forcing, stamping and pulling the hose may cause a breakage or deformation of the hose.
- When picking up large wastes such as planer carvings, concrete dusts or similar other than small wastes, use the 38 mm inner diameter hose (optional accessory). Using the 28 mm inner diameter hose (optional accessory) may cause a hose stuffing and damage.

► **Fig.22**

Insert the hose onto the mounting port of the tank and turn it clockwise until it locks.

MAINTENANCE

⚠ CAUTION:

- Always be sure that the tool is switched off, unplugged, and the battery cartridge is removed before attempting to perform inspection or maintenance.

Storage of power supply cord

► **Fig.23**

You can wind up the power supply cord around the tool box.

Storage of accessories

► **Fig.24**

► **Fig.25**

The pipes can be placed into the pipe holder when not using the cleaner for a short time.

► **Fig.26**

The hose can be stored around the tool by connecting each ends.

Cleaning

⚠ CAUTION:

- Never use gasoline, benzine, thinner, alcohol or the like. Discoloration, deformation or cracks may result.

Cleaning of cloth filter

Only for the cloth filter model

► **Fig.27**

Clogged cloth filter causes poor suction performance. Clean out the cloth filter from time to time.

To remove dust or particles adhering to the cloth filter, shake the frame bottom quickly several times.

Cleaning of powder filter (HEPA) and prefilter

Only for the powder filter model

Clogged powder filter, prefilter and damper cause poor suction performance.

Clean out the filters and dampers from time to time.

To remove dust or particles adhering to the filters, shake the frame bottom quickly several times.

► Fig.28

Occasionally wash the powder filter in water, rinse and dry thoroughly in the shade before use. Never wash filters in a washing machine.

NOTE:

- Do not rub and scratch the powder filter, the prefilter or the damper with hard objects such as a brush and a paddle.
- The filters wear out in course of time. It is recommended to have some spares for them.

To maintain product SAFETY and RELIABILITY, repairs, any other maintenance or adjustment should be performed by Makita Authorized Service Centers, always using Makita replacement parts.

OPTIONAL ACCESSORIES

⚠ CAUTION:

- These accessories or attachments are recommended for use with your Makita tool specified in this manual. The use of any other accessories or attachments might present a risk of injury to persons. Only use accessory or attachment for its stated purpose.

If you need any assistance for more details regarding these accessories, ask your local Makita Service Center.

- Makita genuine battery and charger
- Hose
- Front cuffs (22, 24, 38)
- Straight pipe
- Corner nozzle
- Round brush
- Powder filter, HEPA (for dry dust)
- Damper
- Prefilter
- Nozzle assembly
- Bent pipe
- Polyethylene bag
- Water Filter (option for the cloth filter model)
- Paper pack
- Holder set

NOTE:

- Some items in the list may be included in the tool package as standard accessories. They may differ from country to country.

警告

- 本设备不得由不熟悉操作说明的人员（包括小孩）和体力、感觉及心智不健全或缺乏经验和知识的人员使用。
- 应看管好儿童，勿让其玩耍本吸尘器。
- 如果电源线破损，必须由授权的维修机构进行更换。
- 有关电池的类型信息，请参阅“规格”章节。
- 有关如何拆卸或安装电池的信息，请参阅“安装或拆卸电池组”部分。
- 丢弃电池组时，需将其从工具上卸下并在安全地带进行处理。关于如何处理废弃的电池，请遵循当地法规。
- 如长时间不使用工具，必须将电池从工具内取出。
- 请勿使电池组短路。
- 有关用户维护期间的注意事项的详情，请参阅“维护”章节。

规格

型号		DVC860L	DVC861L
标准过滤器类型		布质过滤器（干尘和湿尘）	粉末过滤器（干尘）
流量（空气）	直流电源操作（含BL1830， ø38 mm x 2.5 m软管）	2.1 m ³ /min	
	交流电源操作（含ø38 mm x 2.5 m软管）	3.6 m ³ /min	
真空	直流电源操作（含BL1830， ø38 mm x 2.5 m软管）	90 hPa	
	交流电源操作（含ø38 mm x 2.5 m软管）	240 hPa	
可回收容量	灰尘	8 L	
	水	6 L	-
尺寸（长 × 宽 × 高）		366 mm x 334 mm x 368 mm	
使用交流电源运行时的额定电功率		取决于所在国家/地区。详情请参阅铭牌。	
额定电压（带电池操作）		DC 36 V	
净重		8.6 - 9.2 kg	9.3 - 9.9 kg
防护等级		IPX4	
安全等级		回/II	

- 生产者保留变更规格不另行通知之权利。
- 规格和电池组可能因销往国家之不同而异。
- 重量不含附件，但包含电池组。设备和电池组的最轻和最重组合重量见表格。
- 对于湿尘收集，要用到浮标和滤水器或布质过滤器。

适用电池组和充电器

电池组	BL1815N / BL1820B / BL1830B / BL1840B / BL1850B / BL1860B
充电器	DC18RC / DC18RD / DC18RE / DC18SD / DC18SE / DC18SF / DC18SH

- 部分以上所列电池组和充电器是否适用视用户所在地区而异。

警告： 请仅使用以上所列电池组和充电器。使用其他类型的电池组或充电器可能会导致人身伤害和 / 或失火。

符号

以下显示本设备可能会使用的符号。在使用工具之前，请务必理解其含义。



阅读使用说明书。



特别小心和注意。



警告！该清洁器可能含有有毒粉尘。



切勿踩踏清洁器。



粉尘等级L（轻）。清洁器适用于粉尘等级L。请遵循您所在国家关于灰尘和工作区域卫生及安全的法律法规。



II类工具



仅限于欧盟国家
由于本设备中包含有害成分，因此废弃的电气和电子设备、蓄电池和普通电池可能会对环境和人体健康产生负面影响。请勿将电气和电子工具或电池与家庭普通废弃物放在一起处置！
根据欧洲关于废弃电气电子设备、蓄电池和普通电池、废弃的蓄电池和普通电池的指令及其国家层面的修订法案，废弃的电气设备、普通电池和蓄电池应当单独存放并递送至城市垃圾收集点，根据环保法规进行处置。
此规定由标有叉形标志的带轮垃圾桶符号表示。

用途

本工具适合商业用途，例如，用于酒店、学校、医院、工厂、商店、办公室和租借的办公场所。

DVC860L

本工具用于收集干尘和湿尘。

DVC861L

本工具仅用于收集干尘。

电源

本工具只可连接电压与铭牌所示电压相同的电源，且仅可使用单相交流电源。本工具双重绝缘，因此也可用于不带接地线的插座。

工业吸尘器安全警告

警告： 重要事项 使用前请仔细阅读所有的安全警告和所有的说明事项。若不遵循警告和说明事项，可能导致触电、起火和 / 或严重的人身伤害。

1. 使用前，请确保本集尘器必须由经过培训的合格人员使用。
2. 使用本机前，操作人员应先接受指导、培训，熟悉相关使用知识，了解机器使用方法和使用对象，例如如何安全清除和丢弃吸入物等。
3. 如果有泡沫 / 液体流出，请立即将其关闭。
4. 定期清洁水位限制设备，并检查是否存在受损的迹象。
5. 请勿在没有过滤器的情况下使用集尘器。如果过滤器受损，请立即更换。
6. 使用延长线。由于距离电源较远而需要使用延长线时，请尽量使用足够粗且不宜过长的导线，否则集尘器的性能会受到影响。进行室外操作时，请使用适合室外使用的延长线。

7. 电压警告：将集尘器连接至电源（电源插座等）之前，请确保供应的电压与集尘器铭牌上指定的电压相同。若电源的电压大于集尘器指定的电压，将会对操作者造成严重的人身伤害并损坏集尘器。如果不能确定，请勿插入集尘器电源。使用低于额定电压的电源会损坏电机。
8. 避免意外启动。插入电源时请确保开关已关闭。
9. 请勿试图吸取可燃物、鞭炮、点燃的香烟、热灰、热金属片、以及剃刀、针、碎玻璃等尖锐物体。
10. 切勿在附近有汽油、煤气、油漆、粘合剂或其他易爆物质的环境下使用集尘器。开启和关闭时开关会发出火花。操作期间电机整流器也会发出火花。可能会导致爆炸。
11. 切勿吸取有毒物质、致癌物质、易燃物质或石棉、砷、钡、铍、铅、杀虫剂等有害物质或其他危及健康的物质。
12. 务必将集尘器放置在水平表面上以防止其意外掉落或移动。
13. 下雨时切勿在室外使用集尘器。
14. 芬兰地区用户不得在低温户外使用本机。
15. 请勿在热源（火炉等）附近使用。
16. 若废气回流至室内，必须保证室内换气率充足。同时需要参考国家规定。
17. 防止触电。防止身体与接地的表面接触。例如，管子、散热器、炉灶、冰箱外壳等。
18. 请勿堵塞冷却通风口。这些通风口可冷却电机。应小心避免堵塞，否则电机会因为通风不足而被烧坏。
19. 操作时请双脚站稳，始终保持平衡。
20. 请勿不当使用导线。切勿拖着导线移动集尘器，或拉导线拔出插头等。避免使导线受热、沾染油脂和碰到尖锐的边缘。定期检查集尘器导线，如有损伤，请交由授权服务机构进行维修。定期检查延长线，如有损坏请进行更换。
21. 请勿折叠、拉拽或踩踏软管。
22. 如果您在操作期间发现性能下降或任何异常，请立即停止工具。
23. 断开集尘器电源。不使用时，维修前或更换附件时，请断开集尘器电源。
24. 每次使用后请立即清洁和维护集尘器，使其处于最佳的工作状态。
25. 小心保养集尘器。保持集尘器的清洁，以提高产品的性能和安全性。根据说明更换附件。保持把手干燥、清洁，无油污和润滑脂。
26. 检查有无部件损坏。在进一步使用集尘器之前，应仔细检查保护罩或其他部件有无损坏，以确定工具是否可以正常运转。检查运动部件是否有偏差或粘连、部件是否破损、安装是否妥当以及其他可能会影响工具运行的情况。除非本手册另有声明，否则应由授权维修中心对受损保护罩或其他部件进行修复或更换。失灵的开关由授权的维修中心进行更换。如果开关不能开启和关闭集尘器，请勿使用。
27. 用户在维修机器时，应先将机器拆解并清洁，然后在保证不会危及维修人员及其他人安全的情况下以尽可能合理的方式维修机器。
28. 机器应由制造商或委派人员至少每年进行一次技术检查。检查内容包括：过滤器是否受损、机器气密性是否良好，以及控制机构是否正常运行。
29. 进行维修或修理作业时，所有无法有效清理的脏污部件均需丢弃。此类部件丢弃时应根据相关垃圾处理法规的要求装入防渗袋丢弃。
30. 更换部件。进行维修时，请仅使用与原来相同的更换部件。
31. 存放闲置的集尘器。不使用时，应将集尘器存放在室内。
32. 贮存前，湿式过滤器和液体容器的内部配件应保持干燥。
33. 善待集尘器。即便集尘器再结实，野蛮操作也会将其损坏。
34. 请勿试图用苯、稀释剂或清洁剂用化学品清洁工具的外部或内部。否则可能会导致工具破裂和褪色。
35. 请勿在存放有油基涂料、涂料稀释剂、汽油或防蛀物品，会释放出易燃、易爆或有毒气体的密闭空间里或存在易燃灰尘的地方使用集尘器。
36. 完成清洁工作后，请勿将集尘器导线留在地板上。否则可能会将人绊倒或损坏集尘器。
37. 请勿在服药或饮酒的情况下操作本工具或其他工具。
38. 作为一项基本的安全措施，请佩戴带侧面罩的护目镜或安全眼镜。

39. 在灰尘较多的工作环境下请使用防尘面罩。
40. 本设备不得由不熟悉操作说明的人员（包括小孩）和体力、感觉及心智不健全或缺乏经验和知识的人员使用。
41. 应看管好儿童，勿让其玩耍本吸尘器。
42. 切勿用湿手操作电源线或集尘器。
43. 清洁楼梯时要特别注意安全。
44. 切勿将集尘器当做凳子或工作台使用。机器可能会跌倒导致人身伤害。

用电池驱动的电动工具的使用和保养

1. 请仅使用制造商指定的充电器进行充电。将适用于某一种类型电池组的充电器用于其他类型的电池组时，可能会导致起火。
2. 电动工具仅可使用专门指定的电池组。使用其他类型的电池组可能会导致人身伤害或起火。
3. 不使用电池组时请将其远离纸壳、硬币、钥匙、钉子、螺丝或其他小型金属物体放置。这些物体可能会使电池端子短路。这些物体可能会使电池端子短路，引起燃烧或起火。
4. 使用过度时，电池中可能溢出液体。请避免接触。如果意外接触到电池漏液，请用水冲洗。如果液体接触到眼睛，请就医。电池漏液可能会导致过敏发炎或灼伤。
5. 不要使用损坏或改装过的电池包或工具。损坏或改装过的电池组可能呈现无法预测的结果，导致着火、爆炸或伤害。
6. 不要将电池包暴露于火或高温中。电池包暴露于火或高于130 °C的高温中可能导致爆炸。
7. 遵循所有充电说明。不要在说明书中指定的温度范围之外给电池包或电动工具充电。不正确或在指定的温度范围外充电可能会损坏电池和增加着火的风险。

请保留此说明书。

警告： 请勿为图方便或因对产品足够熟悉（由于重复使用而获得的经验）而不严格遵循相关产品安全规则。使用不当或不遵循使用说明书中的安全规则会导致严重的人身伤害。

电池组的重要安全注意事项

1. 在使用电池组之前，请仔细阅读所有的说明以及（1）电池充电器，（2）电池，以及（3）使用电池的产品上的警告标记。
2. 切勿拆卸或改装电池组。否则可能引起火灾、过热或爆炸。
3. 如果机器运行时间变得过短，请立即停止使用。否则可能会导致过热、起火甚至爆炸。
4. 如果电解液进入您的眼睛，请用清水将其冲洗干净并立即就医。否则可能会导致视力受损。
5. 请勿使电池组短路：
 - (1) 请勿使任何导电材料碰触到端子。
 - (2) 避免将电池组与其他金属物品如钉子、硬币等放置在同一容器内。
 - (3) 请勿将电池组置于水中或使其淋雨。电池短路将产生大的电流，导致过热，并可能导致起火甚至击穿。
6. 请勿在温度可能达到或超过**50°C（122°F）**的场所存放以及使用工具和电池组。
7. 即使电池组已经严重损坏或完全磨损，也请勿焚烧电池组。电池组会在火中爆炸。
8. 请勿对电池组射钉，或者切削、挤压、抛掷、掉落电池组，又或者用硬物撞击电池组。否则可能引起火灾、过热或爆炸。
9. 请勿使用损坏的电池。
10. 本工具附带的锂离子电池需符合危险品法规要求。
 第三方或转运代理等进行商业运输时，应遵循包装和标识方面的特殊要求。有关运输项目的准备作业，咨询危险品方面的专业人士。同时，请遵守可能更为详尽的国家法规。
 请使用胶带保护且勿遮掩表面的联络信息，并牢固封装电池，使电池在包装内不可动。
11. 丢弃电池组时，需将其从工具上卸下并在安全地带进行处理。关于如何处理废弃的电池，请遵循当地法规。
12. 仅将电池用于**Makita（牧田）**指定的产品。将电池安装至不兼容的产品会导致起火、过热、爆炸或电解液泄漏。
13. 如长时间未使用工具，必须将电池从工具内取出。

14. 使用工具期间以及使用工具之后，电池组温度可能较高易引起灼伤或低温烫伤。处理高温电池组时请小心操作。
15. 在使用工具后请勿立即触碰工具的端子，否则可能引起灼伤。
16. 避免锯屑、灰尘或泥土卡入电池组的端子、孔口和凹槽内。否则可能导致工具或电池组性能下降或故障。
17. 除非工具支持在高压电源线附近使用，否则请勿在高压电源线附近使用电池组。否则可能导致工具或电池组故障或失常。
18. 确保电池远离儿童。

请保留此说明书。

⚠️小心： 请仅使用Makita（牧田）原装电池。使用非Makita（牧田）原装电池或经过改装的电池可能会导致电池爆炸，从而造成火灾、人身伤害或物品受损。同时也会导致牧田工具和充电器的牧田保修服务失效。

保持电池最大使用寿命的提示

1. 在电池组电量完全耗尽前及时充电。发现工具电量低时，请停止工具操作，并给电池组充电。
2. 请勿对已充满电的电池组重新充电。过度充电将缩短电池的使用寿命。
3. 请在10 °C - 40 °C (50 °F - 104 °F) 的室温条件下给电池组充电。请在灼热的电池组冷却后再充电。
4. 不使用电池组时，请将其从工具或充电器上拆除。
5. 如果电池组长时间（超过六个月）未使用，请给其充电。

功能描述

使用交流电源：

⚠️警告：

- 在插上吸尘器电源之前，请确认吸尘器电源已关闭。在开关打开的情况下插入吸尘器电源可能会导致意外启动，从而造成严重的人身伤害。

▶ **图片1：** 1. 插头（形状和电线长度因国家不同而异）

将插头插入电源插座。

▶ **图片2：** 1. 交流电源指示灯

将待机开关拧至“I”侧时，交流电源指示灯亮起。

注：

- 插入电源时，即使正在以直流电源模式操作，工具也会自动更改为交流电源模式。
- 在吸尘器运行时拔出电源时，如果已插入电池，则吸尘器进入待机状态。

使用电池：

安装或拆卸电池组

⚠️小心：

- 调节或检查吸尘器功能之前，请务必关闭吸尘器的电源，拔出电源插头并取出电池组。
- **安装或拆卸电池组时请握紧吸尘器和电池组。** 否则它们可能从您的手中滑落，导致工具和电池组受损，甚至造成人身伤害。
- **打开或关闭时请小心不要夹住您的手指。** 否则可能会导致人身伤害。

▶ **图片3：** 1. 锁 2. 电池盖

安装电池组时，请先解除锁定，然后打开电池组。然后插入电池组。

▶ **图片4：** 1. 电池组

将电池组上的舌簧与外罩上的凹槽对齐，然后推滑到位。将其完全插入到位，直到电池组被锁定并发出卡嗒声为止。然后锁定电池盖。

拆卸电池组时，按下电池组前侧的按钮，同时将电池组从工具中抽出。

注意：

- 使用电池组驱动吸尘器时，从延长线上拔下吸尘器的插头。

⚠️小心：

- 务必完全装入电池组。否则它可能会意外从工具中脱落，从而造成自身或他人受伤。
- 请勿强行安装电池组。如果电池组难以插入，可能是插入方法不当。

注：

- 仅安装单个电池组时，吸尘器无法工作。

工具 / 电池保护系统

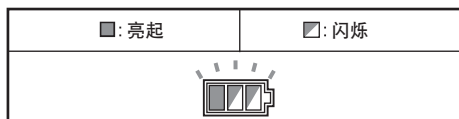
本工具配备有工具 / 电池保护系统。该系统可自动切断电机电源以延长工具和电池寿命。

作业时，如果工具或电池处于以下情况，工具将会自动停止运转。部分情况下，指示灯会亮起。

过载保护

如果过载，工具会自动停止。在这种情况下，请关闭工具并停止导致工具过载的应用操作。然后开启工具重新启动。

工具过热保护



工具过热时，工具将自动停止运转且电池指示灯闪烁约60秒。在这种情况下，请等待工具冷却后再开启工具。

过放电保护

电池剩余电量变低时，本工具自动停止运转。如果即使在打开开关时本产品仍不运转，请从工具上拆下电池并给电池充电。

电池剩余电量指示灯

► 图片5: 1. CHECK (查看) 按钮

► 图片6

按下CHECK (查看) 按钮使电池指示灯显示剩余电量。各个电池有与之相对应的电池指示灯。

电池剩余电量指示灯

电池指示灯状态	剩余的电池电量
■:亮 □:熄 ▨:闪	
	50% - 100%
	20% - 50%
	0% - 20%
	给电池充电

显示电池的剩余电量

仅限带指示灯的电池组

► 图片7: 1. 指示灯 2. CHECK (查看) 按钮

按电池组上的CHECK (查看) 按钮可显示电池剩余电量。指示灯将亮起数秒。

指示灯			剩余电量
■ 点亮	□ 熄灭	▨ 闪烁	
■ ■ ■ ■			75%至100%
■ ■ ■ □			50%至75%
■ ■ □ □			25%至50%
■ □ □ □			0%至25%
▨ □ □ □			给电池充电。
■ ■ □ □		↑ ↓	电池可能出现故障。

注：在不同的使用条件及环境温度下，指示灯所示电量可能与实际情况略有不同。

注：当电池保护系统启动时，第一个（最左侧）指示灯将闪烁。

开关操作

► 图片8: 1. 待机开关 2. 电源按钮 3. 吸力调节旋钮

要启动工具时：

1. 将待机开关拧至“1”侧。吸尘器进入待机状态。

2. 按下电源按钮。

要使吸尘器进入待机模式，请再次按下电源按钮。

要关闭吸尘器，请将待机开关拧至“0”侧。

可以根据您的工作需要调节吸力。将吸力调节旋钮从 符号转至 符号可增加吸力。

注意：

- 吸尘器长期不使用时，请将待机开关拧至“0”侧。吸尘器在待机状态下也会消耗电力。

湿吸操作期间的自动吸入停止（用于 布质过滤器模式）

警告：

- 请勿在浮标处于工作状态下长时间使用工具。在浮标处于工作状态下长时间使用吸尘器会导致工具过热，使吸尘器变形。
- 请勿吸取泡沫或肥皂水。吸取泡沫或肥皂水会导致泡沫在浮标工作之前从出气口中渗出。在这种情况下继续使用可能会造成触电事故和吸尘器破损。

自动吸入停止仅在使用浮标和浮标套筒的情况下工作。

吸尘器配有浮标机构，在吸取的水超过一定量时会防止水渗入电机。

在容器已满和吸尘器不再吸取水时，请关闭吸尘器并清空容器。

锁定或释放脚轮

- 图片9: 1. 脚轮 2. 止动杆 3. 自由位置
4. 锁定位置

要用止动器锁定脚轮时，请放下止动杆，脚轮将不再旋转。要将脚轮从锁定位置释放时，请抬起止动杆。

锁定脚轮后便于存放吸尘器、中途停止工作以及保持吸尘器静止。

要操作止动器时，请用手移动。

注：

- 移动吸尘器时，请确保脚轮没有被锁定。在脚轮处于锁定位置的情况下移动吸尘器可能会损坏脚轮。

携运手柄

- 图片10

搬运吸尘器时，请持握其头部的手柄。不使用时，头部的手柄可缩回。

部件说明

DVC860L型

（布质过滤器（干尘和湿尘）型）

- 图片11: 1. 容器盖 2. 浮标 3. 浮标套筒
4. 布质过滤器 5. 容器

DVC861L型

（粉末过滤器（干尘）型）

- 图片12: 1. 容器盖 2. 粉末过滤器
（HEPA） 3. 减震器 4. 预过滤器
5. 容器

装配

小心：

- 对吸尘器进行任何装配操作前，请务必关闭吸尘器电源，拔出电源插头并取出电池组。
- 安装或维护期间请务必佩戴防尘面罩。

安装粉末过滤器（HEPA）和预过滤器 （干尘）

布质过滤器型选购附件

小心：

- 使用粉末过滤器时切勿吸取水或其他液体或湿尘。否则可能会导致粉末过滤器破裂。

- 图片13: 1. 容器盖 2. 粉末过滤器
（HEPA） 3. 减震器 4. 预过滤器
5. 容器 6. 安装位置标记

- 图片14: 1. 浮标 2. 浮标套筒

要使用粉末过滤器，请拆下螺栓以拆下浮标套筒和浮标。

将预过滤器放在容器中。

接下来，在粉末过滤器上安装减震器，然后将其放入预过滤器。

安装粉末过滤器和预过滤器时，使它们上面的安装位置标记与容器上方的标记对齐。

最后，安装容器盖并锁定。

注：

- 使用粉末过滤器之前，请务必同时使用预过滤器和减震器。不允许单独安装粉末过滤器。

安装滤水器（布质过滤器型）（选购附件）

⚠️小心：

- 没有浮标和布质过滤器或滤水器时，切勿吸取水或湿尘。
- 要吸取湿尘，请确认浮标和浮标套筒已安装至吸尘器。
- 在容器上安装滤水器时，请将滤水器牢牢固定在容器的开口，使滤水器的挂钩卡住容器开口，且滤水器和容器之间没有空隙。

注意：

- 反复吸取大量的水时，建议使用滤水器。此时如果使用布质过滤器，吸尘性能会下降。

► **图片15:** 1. 滤水器 2. 容器 3. 安装位置标记

仅吸取水和湿尘时，滤水器比布质过滤器更适用。

安装滤水器时，将其安装位置标记和容器上的标记对齐。

安装集尘纸包（选购附件）

⚠️警告：

- 使用集尘纸包时，请同时使用工具上预先安装的布质过滤器或预过滤器。否则可能会导致异常噪音和发热，从而引起火灾。

⚠️小心：

（布质过滤器型）

- 使用集尘纸包时切勿吸取水或其他液体或湿尘。否则可能会导致集尘纸包破裂。
- 使用集尘纸包之前，请务必同时使用粉末过滤器（选购附件）、减震器（选购附件）和预过滤器。

（粉末过滤器型）

- 使用集尘纸包之前，请务必同时使用粉末过滤器、减震器和预过滤器。

1. 拆下橡胶固定夹。

► **图片16:** 1. 橡胶固定夹

2. 展开集尘纸包。

3. 将集尘纸包的开口与吸尘器的吸尘口对齐。

4. 将集尘纸包的纸板插入到固定夹上，使其位于定位凸片的一端。

► **图片17:** 1. 集尘纸包 2. 支架

安装聚乙烯袋

在没有聚乙烯袋的情况下也可以使用吸尘器。但是，使用聚乙烯袋可以在不弄脏手的情况下更轻松地清空容器。

► **图片18:** 1. 固定板 2. 聚乙烯袋

在容器中摊开聚乙烯袋。置于固定板和容器之间，然后向上拉至软管入口。

在容器上方摊开袋子，以便预过滤器边缘可以将其固定。

注：

- 可使用市场上购买的聚乙烯袋。建议使用0.04 mm或更厚的袋子。
- 灰尘过多会撑破袋子，因此，袋子中积累的灰尘不要超过袋子的一半容量。

清空聚乙烯袋

⚠️警告：

- 清空聚乙烯袋之前，请务必确认吸尘器已关闭且已拔下电源插头。否则可能会导致触电和严重的人身伤害。

⚠️小心：

- 请勿用力撞击浮标套筒和容器。否则可能会导致浮标套筒和容器变形和受损。
- 视容器中吸取的灰尘量而定，请至少每天清空容器一次。否则，吸力将变弱，且电机可能受损。
- 清空容器时请勿抓住挂钩。抓住挂钩可能会导致挂钩破裂。

松开并抬起容器盖。

► **图片19**

抖掉布质过滤器、粉末过滤器上的灰尘，然后将聚乙烯袋从容器中取出。

注：

- 小心从容器中取出聚乙烯袋，清空时不要让聚乙烯袋被容器内的凸出部分划破。
- 在聚乙烯袋变满之前将其清空。容器中的灰尘过多可能会导致聚乙烯袋被撑破。

安装工具箱

► 图片20

1. 解除电池盖锁定，打开电池盖。
2. 将工具箱上的导轨对入外壳上的凹槽。
3. 关闭电池盖并锁定。

► 图片21

工具箱可便于搬运电池、电源延长线、管子或管口。

连接软管

⚠小心：

- 切勿用力弯曲软管或踩踏软管。切勿通过拉拽软管来移动吸尘器。用力弯曲、踩踏或拉拽软管会使其破裂或变形。
- 吸取电刨切片、水泥灰等较大的废料时，请使用内径为**38 mm**的软管（选购附件）。使用内径为**28 mm**的软管（选购附件）可能会导致软管堵塞或受损。

► 图片22

将软管插入容器的安装口，然后顺时针转动，直至其锁定。

保养

⚠小心：

- 检查或保养工具之前，请务必关闭工具电源，拔出电源插头并取出电池组。

电源线的存放

► 图片23

可以将电源线缠绕在工具箱上。

附件的存放

► 图片24

► 图片25

吸尘器暂时不用时，管子可以放入管架。

► 图片26

软管可首尾相连缠绕工具存放。

清洁

⚠小心：

- 切勿使用汽油、苯、稀释剂、酒精或类似物品清洁工具。否则可能会导致工具变色、变形或出现裂缝。

清理布质过滤器

仅限布质过滤器型

► 图片27

布质过滤器堵塞会导致吸尘性能下降。

请时常清理布质过滤器。

要清除布质过滤器上吸附的灰尘或颗粒时，请快速摇晃过滤器底部数次。

清理粉末过滤器（HEPA）和预过滤器

仅限粉末过滤器型

粉末过滤器、预过滤器和减震器堵塞会导致吸尘性能不良。

请不时清理过滤器和减震器。

要清除过滤器上吸附的灰尘或颗粒时，请快速摇晃过滤器底部数次。

► 图片28

不时用水清洗粉末过滤器，使用前在阴凉的地方冲洗并彻底晾干。切勿在洗衣机中清洗过滤器。

注：

- 请勿用刷子和清洗板等硬物摩擦和刮蹭粉末过滤器、预过滤器或减震器。
- 过滤器会因使用时间的增加而磨损。建议购买一些备用。

为了保证产品的安全与可靠性，维修、任何其他维修保养或调节需由**Makita**（牧田）授权的维修服务中心完成。务必使用**Makita**（牧田）的替换部件。

选购附件

小心：

- 这些附件或装置专用于本说明书所列的 **Makita**（牧田）电动工具。其他附件或装置的使用可能会有人身伤害风险。仅可将附件或装置用于规定目的。

如您需要了解更多关于这些选购附件的信息，请咨询当地的 **Makita**（牧田）维修服务中心。

- **Makita**（牧田）原装电池和充电器
- 软管
- 前端管口（22、24、38）
- 直管
- 角落集尘口
- 圆刷
- 粉末过滤器，HEPA（干尘）
- 减震器
- 预过滤器
- 集尘口组件
- 弯管
- 聚乙烯袋
- 滤水器（布质过滤器型选购附件）
- 集尘纸包
- 支架套件

注：

- 本列表中的一些部件可能作为标准配件包含于工具包装内。它们可能因销往国家之不同而异。

PERINGATAN

- Pengisap ini tidak dimaksudkan untuk digunakan oleh orang termasuk anak-anak dengan kemampuan fisik, indra, atau mental terbatas atau orang yang tidak berpengalaman.
- Awasi anak-anak untuk memastikan mereka tidak bermain-main dengan pembersih ini.
- Jika kabel daya rusak, penggantian harus dilakukan oleh fasilitas layanan resmi.
- Lihat bagian "SPESIFIKASI" untuk mengetahui referensi tipe baterai.
- Lihat bagian "Memasang atau melepas kartrid baterai" untuk mengetahui cara mengganti atau memasang baterai.
- Ketika membuang kartrid baterai, lepaskan dari mesin dan buang ke tempat yang aman. Patuhi peraturan setempat yang berkaitan dengan pembuangan baterai.
- Jika mesin tidak digunakan dalam jangka waktu yang lama, baterai harus dilepas dari mesin.
- Jangan menghubungkan terminal kartrid baterai.
- Lihat bagian "PEMELIHARAAN" untuk mengetahui detail tindakan pencegahan yang sesuai selama perawatan oleh pengguna.

SPESIFIKASI

Model		DVC860L	DVC861L
Tipe saringan standar		Saringan kain (untuk debu kering dan basah)	Saringan serbuk (untuk debu kering)
Aliran volume (udara)	Operasi DC (dengan BL1830, selang ø38 mm x 2,5 m)	2,1 m ³ /min	
	Operasi AC (dengan selang ø38 mm x 2,5 m)	3,6 m ³ /min	
Pengisap	Operasi DC (dengan BL1830, selang ø38 mm x 2,5 m)	90 hPa	
	Operasi AC (dengan selang ø38 mm x 2,5 m)	240 hPa	
Kapasitas yang dapat dipulihkan	Debu	8 L	
	Air	6 L	-
Dimensi (P x L x T)		366 mm x 334 mm x 368 mm	
Nilai listrik dengan operasi AC		Bergantung masing-masing negara. Silakan baca pelat nama.	
Tegangan terukur (operasi dengan baterai)		D.C. 36 V	
Berat bersih		8,6 - 9,2 kg	9,3 - 9,9 kg
Derajat perlindungan		IPX4	
Kelas keamanan		□/II	

- Karena kesinambungan program penelitian dan pengembangan kami, spesifikasi yang disebutkan di sini dapat berubah tanpa pemberitahuan.
- Spesifikasi dan kartrid baterai dapat berbeda dari satu negara ke negara lainnya.
- Berat tidak termasuk aksesoris selain kartrid baterai. Berat gabungan paling ringan dan paling berat dari peralatan dan kartrid baterai ditampilkan dalam tabel.
- Untuk debu basah, dibutuhkan float dan saringan air atau saringan kain.

Kartrid dan pengisi daya baterai yang dapat digunakan








Kartrid baterai	BL1815N / BL1820B / BL1830B / BL1840B / BL1850B / BL1860B
Pengisi daya	DC18RC / DC18RD / DC18RE / DC18SD / DC18SE / DC18SF / DC18SH

- Beberapa kartrid baterai dan pengisi daya yang tercantum di atas mungkin tidak tersedia, tergantung wilayah tempat tinggal Anda.

⚠️ PERINGATAN: Hanya gunakan kartrid dan pengisi daya baterai yang tercantum di atas. Penggunaan kartrid dan pengisi daya baterai lain dapat menimbulkan risiko cedera dan/atau kebakaran.

Simbol

Berikut ini adalah simbol-simbol yang dapat digunakan pada peralatan ini. Pastikan Anda memahami arti masing-masing simbol sebelum menggunakan peralatan.

	Baca petunjuk penggunaan.
	Berhati-hatilah dan pusatkan perhatian Anda.
	Peringatan! Mesin mungkin mengandung debu berbahaya.
	Dilarang berdiri di atas mesin.
	Debu kelas L (ringan). Mesin dapat mengisap debu kelas L. Ikuti peraturan negara Anda terkait dengan debu dan kesehatan dan keselamatan kerja.
	ISOLASI GANDA
	Hanya untuk negara-negara UE Akibat adanya komponen berbahaya dalam peralatan, limbah peralatan listrik dan elektronik, aki dan baterai dapat memiliki dampak negatif pada lingkungan dan kesehatan manusia. Jangan buang peralatan listrik dan elektronik atau baterai bersama limbah rumah tangga! Sesuai dengan Petunjuk Eropa tentang limbah peralatan listrik dan elektronik dan tentang aki dan baterai serta limbah aki dan baterai, serta penyesuaiannya terhadap undang-undang nasional, limbah peralatan listrik, baterai dan aki harus disimpan secara terpisah dan dikirim ke tempat pengumpulan terpisah untuk sampah kota, beroperasi sesuai dengan peraturan tentang perlindungan lingkungan. Hal ini ditunjukkan dengan simbol tempat sampah bersilang yang ditempatkan pada peralatan.

Penggunaan

Pengisap ini sesuai untuk penggunaan komersial, contohnya di hotel, sekolah, rumah sakit, pabrik, toko, kantor, dan bisnis rental.

DVC860L
Mesin ini digunakan untuk mengisap debu basah dan kering.

DVC861L
Tujuan penggunaan mesin ini hanya untuk membersihkan debu kering.

Pasokan daya

Mesin harus terhubung dengan pasokan daya listrik yang bervoltase sama dengan yang tertera pada pelat nama, dan hanya dapat dijalankan dengan listrik AC fase tunggal. Mesin diisolasi ganda dan oleh sebab itu dapat dihubungkan dengan soket tanpa kabel.

Peringatan keselamatan pengisap debu tanpa kabel dan dengan kabel

⚠️ PERINGATAN: PENTING BACALAH semua peringatan keselamatan dan semua petunjuk **SEBELUM MENGGUNAKAN DENGAN SAKSAMA.** Kelalaian mematuhi peringatan dan petunjuk dapat menyebabkan sengatan listrik, kebakaran, dan/atau cedera serius.

1. **Sebelum penggunaan, pastikan pengisap digunakan oleh orang yang telah memahami petunjuk penggunaan pengisap ini.**
2. **Sebelum penggunaan, operator harus mendapatkan informasi, instruksi, dan pelatihan untuk penggunaan mesin dan bahan-bahan yang akan digunakan, termasuk metode yang aman untuk pembersihan dan pembuangan material terkumpul.**
3. **Jika keluar busa/cairan, segera matikan.**
4. **Bersihkan alat pembatas ketinggian air secara rutin dan periksa jika ada tanda-tanda kerusakan.**
5. **Jangan menggunakan pengisap tanpa saringan. Segera ganti saringan yang rusak.**
6. **PENGUNAAN KABEL EKSTENSI.** Bila menggunakan kabel ekstensi karena jarak dari sumber daya terlalu jauh, gunakan kabel yang cukup tebal namun tidak terlalu panjang agar tidak memengaruhi kinerja pengisap. Untuk pekerjaan di luar ruangan, gunakan kabel ekstensi yang sesuai dengan penggunaan di luar ruangan.

7. **PERINGATAN TEGANGAN LISTRIK:** Sebelum menghubungkan pengisap ke sumber daya (stopkontak tiga-kutub, stopkontak dinding, dsb.), pastikan tegangan tersedia sama dengan yang tercantum pada pelat nama pengisap. Sumber daya dengan tegangan melebihi tegangan yang ditentukan untuk pengisap dapat mengakibatkan CEDERA SERIUS pada operator serta kerusakan pengisap. Jika merasa ragu, **JANGAN MEMASANG STEKER PENGISAP KE STOPKONTAK.** Menggunakan sumber daya dengan tegangan yang kurang dari tegangan terukur pada pelat nama bisa merusak motor.
8. **HINDARI PENYALAAAN YANG TIDAK DISENGAJA.** Pastikan sakelar dalam kondisi MATI saat memasukkan steker.
9. Jangan gunakan untuk membersihkan bahan yang mudah terbakar, kembang api, rokok menyala, abu panas, serpihan logam panas, benda tajam seperti pisau cukur, jarum, pecahan kaca, atau sejenisnya.
10. **JANGAN GUNAKAN PENGISAP DI DEKAT BENSIN, GAS, CAT, PEREKAT, ATAU BAHAN LAINNYA YANG MUDAH MELEDAK.** Sakelar memercikkan api saat dinyalakan dan dimatikan. Begitu pula komutator motor saat pengoperasian. Dapat terjadi ledakan.
11. Jangan gunakan untuk membersihkan bahan beracun, karsinogenik, mudah terbakar, atau bahan berbahaya lain seperti asbestos, arsenik, barium, berilium, timbal, pestisida, atau bahan lain yang berbahaya bagi kesehatan.
12. Selalu letakkan pengisap pada permukaan rata horizontal untuk mencegahnya terjatuh atau bergerak tanpa disengaja.
13. Jangan pernah gunakan pengisap di luar ruangan saat hujan.
14. Di Finlandia, mesin ini tidak digunakan di luar ruangan pada suhu rendah.
15. Jangan gunakan di dekat sumber panas (kompom, dsb.).
16. Jika udara pembuangan kembali ke ruangan, perlu disediakan laju pergantian udara yang memadai di dalam ruangan. Rujukan ke regulasi Nasional diperlukan.
17. **PELINDUNGAN TERHADAP SENGATAN LISTRIK.** Hindari sentuhan tubuh dengan permukaan berarde. Misalnya; pipa, radiator, kompor, penutup kulkas.
18. Jangan menghalangi ventilasi pendingin. Ventilasi ini berfungsi mendinginkan motor. Jangan sampai terhalang karena motor dapat terbakar akibat kekurangan ventilasi.
19. Selalu jaga pijakan dan keseimbangan yang tepat.
20. **JANGAN MENYALAHGUNAKAN KABEL.** Jangan sekali-kali membawa pengisap dengan memegang kabelnya atau menarik kabel untuk melepaskannya dari stopkontak. Jauhkan kabel dari panas, minyak, dan tepian tajam. Periksa kabel pengisap secara berkala dan jika rusak, perbaiki oleh fasilitas layanan resmi. Periksa kabel ekstensi secara berkala dan ganti jika rusak.
21. Jangan menekuk, menarik, atau menginjak kabel.
22. Segera hentikan pengisap jika kinerjanya buruk atau terjadi hal yang tidak wajar selama pengoperasian.
23. **LEPAS SAMBUNGAN PENGISAP DARI SUMBER LISTRIK.** Saat tidak digunakan, sebelum diperbaiki, dan saat mengganti aksesori.
24. Bersihkan dan rawat pengisap segera setelah selesai digunakan untuk menjaganya tetap dalam kondisi operasi yang prima.
25. **RAWATLAH PENGISAP DENGAN BAIK.** Jaga agar pengisap tetap bersih untuk mendapatkan kinerja yang lebih baik dan aman. Ikuti petunjuk saat mengganti aksesori. Jagalah agar gagang kering, bersih, serta bebas dari minyak dan gemuk.
26. **PERIKSA BAGIAN YANG RUSAK.** Sebelum terus menggunakan pengisap, pelindung dan bagian lainnya yang rusak harus diperiksa secara cermat untuk menentukan apakah pengisap akan bekerja dengan baik dan berfungsi sesuai yang diharapkan. Periksa kesejajaran bagian yang berputar, macetnya gerakan bagian yang berputar, kerusakan komponen, kondisi pemasangan dan hal lain yang dapat memengaruhi kerja pengisap. Pelindung atau bagian lain yang rusak harus diperbaiki dengan benar atau diganti oleh pusat layanan resmi kecuali jika diindikasikan lain dalam petunjuk penggunaan ini. Ganti sakelar-sakelar yang rusak oleh pusat layanan resmi. Jangan gunakan pengisap jika sakelar tidak dapat menyalakan dan mematikan pengisap.
27. Untuk pemberian layanan pengguna, mesin harus dibongkar, dibersihkan dan diservis, sejauh dapat dilakukan secara wajar, tanpa menimbulkan risiko bagi staf pemeliharaan dan orang lain.
28. Mesin harus diperiksa secara teknis oleh produsen, atau seorang ahli, setidaknya setiap tahun, yang terdiri atas, misalnya, pemeriksaan kerusakan saringan, kekedapan udara mesin, dan fungsi mekanisme kontrol yang tepat.
29. Saat melakukan servis atau operasi perbaikan, semua item terkontaminasi yang tidak dapat dibersihkan dengan sempurna harus dibuang; item tersebut harus dibuang dalam kantong rapat kedap air sesuai dengan peraturan terkini untuk pembuangan limbah tersebut.
30. **SUKU CADANG PENGGANTI.** Saat melakukan perbaikan, gunakan hanya suku cadang pengganti yang serupa.
31. **SIMPAN PENGISAP SAAT TIDAK DIGUNAKAN.** Saat tidak digunakan, pengisap harus disimpan dalam ruangan.
32. Saringan yang basah dan komponen interior wadah cairan harus dikeringkan sebelum disimpan.

33. Tangani pengisap dengan hati-hati. Penanganan yang kasar dapat menyebabkan kerusakan pada pengisap paling kokoh sekalipun.
34. Jangan bersihkan bagian luar pengisap dengan benzena, tiner, atau bahan kimia pembersih. Penggunaan bahan tersebut dapat menimbulkan keretakan dan perubahan warna.
35. Jangan gunakan pengisap di ruangan tertutup yang terdapat uap yang mudah terbakar, mudah meledak, atau beracun yang berasal dari cat berbahan dasar minyak, tiner cat, bensin, bahan antirayap, dsb. atau di area di mana terdapat debu yang mudah terbakar.
36. Jangan biarkan kabel pengisap berserakan di lantai setelah selesai melakukan pembersihan. Hal tersebut dapat menimbulkan bahaya tersandung atau menyebabkan kerusakan pada pengisap.
37. Jangan mengoperasikan mesin ini atau alat lainnya saat berada dalam pengaruh obat atau alkohol.
38. Sesuai aturan dasar keselamatan, gunakanacamata pengaman dengan pelindung samping.
39. Gunakan masker debu dalam kondisi kerja yang berdebu.
40. Pengisap ini tidak dimaksudkan untuk digunakan oleh orang termasuk anak-anak dengan kemampuan fisik, indra, atau mental terbatas atau orang yang tidak berpengalaman.
41. Awasi anak-anak untuk memastikan mereka tidak bermain-main dengan pembersih ini.
42. Dilarang memegang kabel steker atau pengisap dengan tangan yang basah.
43. Berhati-hatilah saat membersihkan tangga.
44. Jangan gunakan pengisap sebagai tempat duduk atau meja kerja. Pengisap dapat jatuh dan menyebabkan cedera.

Penggunaan dan pemeliharaan mesin bertenaga baterai

1. Isi ulang baterai hanya dengan pengisi daya yang ditentukan oleh pabrikan. Pengisi daya yang cocok untuk satu jenis paket baterai dapat menimbulkan risiko kebakaran ketika digunakan untuk paket baterai yang lain.
2. Gunakan mesin listrik hanya dengan paket baterai yang telah ditentukan secara khusus. Penggunaan paket baterai lain dapat menimbulkan risiko cedera dan kebakaran.
3. Ketika paket baterai tidak digunakan, jauhkan dari benda logam lain, seperti penjepit kertas, uang logam, kunci, paku, sekrup atau benda logam kecil lainnya, yang dapat menghubungkan satu terminal ke terminal lain. Hubungan singkat terminal baterai dapat menyebabkan luka bakar atau kebakaran.
4. Pemakaian yang salah, dapat menyebabkan keluarnya cairan dari baterai; hindari kontak. Jika terjadi kontak secara tidak sengaja, bilas dengan air. Jika cairan mengenai mata, cari bantuan medis. Cairan yang keluar dari baterai bisa menyebabkan iritasi atau luka bakar.

5. Jangan menggunakan paket baterai atau mesin yang sudah rusak atau telah diubah. Baterai yang rusak atau telah diubah dapat menyebabkan hal-hal yang tidak dapat diprediksi yang dapat menyebabkan kebakaran, ledakan atau risiko cedera.
6. Jangan membiarkan paket baterai atau mesin dekat dengan api atau suhu yang berlebihan. Paparan api atau suhu di atas 130 °C dapat menyebabkan ledakan.
7. Ikuti semua petunjuk pengisian daya dan jangan mengisi daya paket baterai atau mesin di luar rentang suhu yang ditentukan di panduan. Mengisi daya secara tidak tepat atau pada suhu di luar rentang yang ditentukan dapat merusak baterai dan meningkatkan risiko kebakaran.

SIMPAN PETUNJUK INI.

⚠️ PERINGATAN: JANGAN biarkan kenyamanan atau terbiasanya Anda dengan produk (karena penggunaan berulang) mengurangi kepatuhan yang ketat terhadap aturan keselamatan untuk produk yang terkait. PENYALAHGUNAAN atau kelalaian mematuhi kaidah keselamatan yang tertera dalam petunjuk ini dapat menyebabkan cedera badan serius.

Petunjuk keselamatan penting untuk kartrid baterai

1. Sebelum menggunakan kartrid baterai, bacalah semua petunjuk dan penandaan pada (1) pengisi daya baterai, (2) baterai, dan (3) produk yang menggunakan baterai.
2. Jangan membongkar atau memodifikasi kartrid baterai. Tindakan tersebut dapat menimbulkan api, panas berlebih, atau ledakan.
3. Jika waktu beroperasinya menjadi sangat singkat, segera hentikan penggunaan. Hal tersebut dapat menimbulkan risiko panas berlebih, kemungkinan mengalami luka bakar atau bahkan terjadi ledakan.
4. Jika elektrolit mengenai mata Anda, basuh dengan air bersih dan segera cari pertolongan medis. Hal tersebut dapat mengakibatkan hilangnya kemampuan penglihatan Anda.
5. Jangan menghubungkan terminal kartrid baterai:
 - (1) Jangan menyentuh terminal dengan bahan penghantar listrik apa pun.
 - (2) Hindari menyimpan kartrid baterai pada wadah yang berisi benda logam lain seperti paku, uang logam, dsb.
 - (3) Jangan membiarkan baterai terkena air atau kehujanan.
 Hubungan singkat baterai dapat menyebabkan aliran arus listrik yang besar, panas berlebih, kemungkinan mengalami luka bakar dan bahkan kerusakan pada baterai.
6. Jangan menyimpan dan menggunakan mesin dan kartrid baterai pada lokasi dengan suhu yang bisa mencapai atau melebihi 50 °C (122 °F).

7. **Jangan membuang kartrid baterai di tempat pembakaran sampah walaupun benar-benar rusak atau tidak bisa digunakan sama sekali. Kartrid baterai bisa meledak jika terbakar.**
8. **Jangan memaku, memotong, menghancurkan, melempar, menjatuhkan kartrid baterai, atau memukul benda keras ke kartrid baterai.** Tindakan tersebut dapat menimbulkan api, panas berlebih, atau ledakan.
9. **Jangan menggunakan baterai yang rusak.**
10. **Baterai litium-ion yang disertakan sesuai dengan persyaratan Perundangan Makanan Berbahaya.** Harus ada pengawasan untuk pengangkutan komersial misalnya oleh pihak ketiga, ekspeditor, persyaratan khusus terhadap pengemasan dan pelabelan. Diperlukan adanya konsultasi dengan ahli mengenai material berbahaya untuk persiapan barang yang akan dikirimkan. Perhatikan pula peraturan nasional yang lebih terperinci yang mungkin ada. Beri perekat atau tutupi bagian yang terbuka dan kemasan baterai dengan cara yang tidak akan menimbulkan pergeseran dalam pengemasan.
11. **Ketika membuang kartrid baterai, lepaskan dari mesin dan buang ke tempat yang aman. Patuhi peraturan setempat yang berkaitan dengan pembuangan baterai.**
12. **Gunakan baterai hanya dengan produk yang ditentukan oleh Makita.** Memasang baterai pada produk yang tidak sesuai dapat menyebabkan kebakaran, kelebihan panas, ledakan, atau kebocoran elektrolit.
13. **Jika mesin tidak digunakan dalam jangka waktu yang lama, baterai harus dilepas dari mesin.**
14. **Selama dan setelah digunakan, kartrid baterai mungkin menyimpan panas yang dapat menyebabkan luka bakar atau luka bakar suhu rendah. Perhatikan cara memegang kartrid baterai yang masih panas.**
15. **Jangan langsung menyentuh terminal mesin setelah digunakan karena suhunya mungkin cukup panas untuk menyebabkan luka bakar.**
16. **Jangan biarkan serpihan, debu, atau tanah menempel di terminal, lubang, dan alur kartrid baterai.** Hal tersebut dapat mengakibatkan kinerja buruk atau kerusakan mesin maupun kartrid baterai.
17. **Kecuali jika mesin mendukung penggunaan di dekat saluran listrik bertegangan tinggi, jangan gunakan kartrid baterai di dekat saluran listrik bertegangan tinggi.** Hal tersebut dapat mengakibatkan kegagalan fungsi atau kerusakan mesin maupun kartrid baterai.
18. **Jauhkan baterai dari jangkauan anak-anak.**

SIMPAN PETUNJUK INI.

⚠PERHATIAN: Gunakan baterai asli Makita. Penggunaan baterai Makita yang tidak asli, atau baterai yang sudah diubah, akan mengakibatkan baterai mudah terbakar, cedera dan kerusakan. Akan menghilangkan garansi Makita pada pengisi daya dan alat Makita.

Tip untuk menjaga agar umur pemakaian baterai maksimum

1. **Isi ulang kartrid baterai sebelum habis sama sekali. Selalu hentikan penggunaan mesin dan ganti kartrid baterai jika Anda melihat bahwa mesin kurang tenaga.**
2. **Jangan pernah mengisi ulang kartrid baterai yang sudah diisi penuh. Pengisian ulang yang berlebih memperpendek umur pemakaian baterai.**
3. **Isi ulang kartrid baterai pada suhu ruangan 10 °C - 40 °C. Biarkan kartrid baterai yang panas menjadi dingin terlebih dahulu sebelum diisi ulang.**
4. **Saat kartrid baterai tidak digunakan, lepaskan dari mesin atau pengisi daya.**
5. **Isi ulang daya kartrid baterai jika Anda tidak menggunakannya untuk jangka waktu yang lama (lebih dari enam bulan).**

DESKRIPSI FUNGSI

Penggunaan dengan daya AC:

⚠PERINGATAN:

- **Sebelum memasukkan steker, selalu pastikan pengisap dalam keadaan mati.** Memasukkan steker pengisap dengan sakelar dalam posisi menyala dapat menyebabkan pengisap menyala secara tiba-tiba sehingga mengakibatkan cedera serius.

► **Gbr.1:** 1. Steker (bentuk dan panjang kabel di tiap negara mungkin berbeda)

Hubungkan steker pada suplai daya.

► **Gbr.2:** 1. Indikator daya AC

Indikator daya AC akan berkedip ketika pengaturan sakelar siaga diatur ke sisi "I".

CATATAN:

- Meskipun beroperasi dalam mode daya DC, mesin akan secara otomatis diubah menjadi mode daya AC ketika steker dihubungkan.
- Jika mesin dicabut stekernya selama pengoperasian dengan baterai yang dimasukkan, pembersih akan masuk ke status siaga.

Penggunaan dengan baterai:

Memasang atau melepas kartrid baterai

⚠️ PERHATIAN:

- Selalu pastikan bahwa pembersih dimatikan, dicabut stekernya, dan kartrid baterai dilepas sebelum menyetel atau memeriksa fungsi mesin.
- **Pegang pembersih dan kartrid baterai dengan kuat saat memasang atau melepas kartrid baterai.** Apabila pembersih dan kartrid baterai tidak dipegang dengan kuat, mesin dapat terlepas dari tangan Anda dan mengakibatkan kerusakan pada kartrid pembersih dan baterai serta menyebabkan cedera.
- **Berhati-hatilah agar jari Anda tidak terjepit saat membuka atau menutup tutup baterai.** Kelalaian dalam melakukannya dapat menyebabkan cedera pribadi.

► Gbr.3: 1. Kunci 2. Penutup baterai

Untuk memasang kartrid baterai, lepaskan kunci terlebih dahulu, dan buka tutup baterai. Dan kemudian masukkan kartrid baterai.

► Gbr.4: 1. Kartrid baterai

Sejajarkan lidah kartrid baterai dengan alur pada rumah dan masukkan ke dalam tempatnya. Masukkan seluruhnya sampai terkunci pada tempatnya dan terdengar bunyi klik kecil. Kemudian kunci tutup baterai. Untuk melepas kartrid baterai, geser dari mesin sambil menggeser tombol pada bagian depan kartrid.

PERMERTAHAN:

- Cabut steker pembersih dari kabel ekstensi saat menggunakan pembersih dengan baterai.

⚠️ PERHATIAN:

- Selalu pasang kartrid baterai dengan kencang pada tempatnya. Jika tidak, kartrid baterai mungkin saja terlepas dari mesin, dan dapat menyebabkan cedera pada diri Anda atau orang di sekitar Anda.
- Jangan memasang kartrid baterai secara paksa. Jika kartrid tidak dapat didorong masuk dengan mudah, berarti cara pemasangannya salah.

CATATAN:

- Pengisap tidak akan bekerja dengan hanya satu kartrid baterai.

Sistem perlindungan mesin / baterai

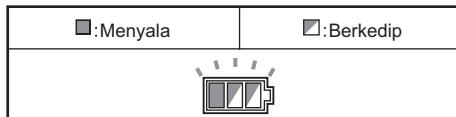
Mesin ini dilengkapi dengan sistem perlindungan mesin/baterai. Sistem ini memutuskan aliran daya ke motor secara otomatis untuk memperpanjang masa pakai mesin dan baterai.

Mesin akan berhenti secara otomatis saat penggunaan jika mesin atau baterai berada dalam salah satu kondisi berikut ini. Dalam kondisi yang sama, indikator akan menyala.

Perlindungan kelebihan beban

Bila mesin mengalami kelebihan beban, mesin akan berhenti secara otomatis. Dalam situasi ini, matikan mesin dan hentikan pekerjaan yang menyebabkan mesin mengalami kelebihan beban. Kemudian, nyalakan mesin untuk kembali melanjutkan pekerjaan.

Perlindungan kelebihan panas untuk mesin



Bila mesin mengalami panas berlebih, mesin akan berhenti secara otomatis dan indikator baterai berkedip sekitar 60 detik. Untuk situasi ini, biarkan mesin menjadi dingin sebelum menyalakan mesin lagi.

Perlindungan penggunaan daya berlebih

Ketika kapasitas baterai melemah, mesin akan berhenti secara otomatis. Jika produk tidak beroperasi bahkan ketika sakelar digunakan, lepaskan baterai dari mesin dan isi daya baterai.

Indikasi kapasitas baterai yang tersisa

► Gbr.5: 1. Tombol CHECK

► Gbr.6

Tekan tombol pemeriksaan untuk membuat indikator baterai menunjukkan kapasitas baterai yang tersisa. Indikator baterai berhubungan dengan setiap baterai.

Indikasi kapasitas baterai yang tersisa

Status indikator baterai	Kapasitas baterai yang tersisa
<input checked="" type="checkbox"/> :Menyala <input type="checkbox"/> : Mati <input checked="" type="checkbox"/> :Berkedip	
	50% - 100%
	20% - 50%
	0% - 20%
	Isi ulang baterai

Mengindikasikan kapasitas baterai yang tersisa

Hanya untuk kartrid baterai dengan indikator

► **Gbr.7:** 1. Lampu indikator 2. Tombol pemeriksaan

Tekan tombol pemeriksaan pada kartrid baterai untuk melihat kapasitas baterai yang tersisa. Lampu indikator menyala selama beberapa detik.

Lampu indikator			Kapasitas yang tersisa
Menyala	Mati	Berkedip	
■	□	▧	75% hingga 100%
■	■	■	
■	■	□	50% hingga 75%
■	□	□	25% hingga 50%
■	□	□	0% hingga 25%
▧	□	□	Isi ulang baterai.
■	■	□	Baterai mungkin sudah rusak.
□	□	■	

CATATAN: Tergantung kondisi penggunaan dan suhu lingkungannya, penunjukkan mungkin saja sedikit berbeda dari kapasitas sebenarnya.

CATATAN: Lampu indikator pertama (ujung kiri) akan berkedip ketika sistem perlindungan mesin bekerja.

Kerja sakelar

► **Gbr.8:** 1. Sakelar siaga 2. Tombol daya 3. Kenop penyetelan daya isapan

Untuk menyalakan pengisap:



1. Setel sakelar siaga ke sisi "I". Pengisap memasuki kondisi siaga.

2. Tekan tombol daya.

Untuk mengatur pengisap ke mode siaga, tekan tombol daya kembali.

Untuk mematikan pembersih, atur sakelar siaga ke sisi "O".

Tenaga isapan dapat disesuaikan dengan kebutuhan pekerjaan Anda.

Tenaga isapan dapat ditingkatkan dengan memutar kenop penyetel daya isapan dari simbol  ke simbol .

PEMBERITAHUAN:

- Selalu setel sakelar siaga ke sisi "O" ketika tidak menggunakan pembersih dalam waktu yang lama. Pengisap memakai daya saat kondisi siaga.

Penghentian isapan otomatis saat pengoperasian isapan basah (untuk model saringan kain)

⚠ PERINGATAN:

- Saat float bekerja, jangan gunakan pengisap dalam waktu lama. Menggunakan pengisap saat float bekerja dalam jangka waktu lama dapat menyebabkan panas berlebih, yang menyebabkan perubahan bentuk pengisap.
- Jangan mengisap busa atau cairan sabun. Mengisap busa atau cairan sabun dapat menyebabkan busa keluar dari saluran keluar udara sebelum float bekerja. Penggunaan berlanjut dalam kondisi ini dapat menyebabkan sengatan listrik dan kerusakan pengisap.

Penghentian isapan otomatis hanya bekerja saat digunakan dengan float dan rangka float.

Pengisap memiliki mekanisme float yang mencegah air masuk ke dalam motor saat mengisap air lebih dari jumlah tertentu.

Saat tangki penuh dan pengisap tidak lagi mengisap air, matikan pengisap dan kosongkan tangki.

Mengunci atau membuka kunci roda caster

► **Gbr.9:** 1. Roda caster 2. Tuas penghenti 3. Posisi BEBAS 4. Posisi TERBUKA

Untuk mengunci roda caster menggunakan penghenti, turunkan tuas penghenti dan roda caster tidak akan berputar. Untuk melepaskan roda caster dari posisi terkunci, naikan tuas penghenti.

Mengunci roda caster berguna saat menyimpan pengisap, berhenti di tengah-tengah pekerjaan, dan menjaga agar pengisap diam di tempat.

Untuk menggunakan penghenti, gerakkan dengan tangan.

CATATAN:

- Saat menggerakkan pengisap, pastikan roda caster tidak terkunci. Menggerakkan pengisap dengan posisi roda caster terkunci dapat menyebabkan kerusakan pada roda caster.

Pegangan mesin

► **Gbr.10**

Saat membawa pengisap, bawa dengan memegang pegangan di bagian kepala. Pegangan dapat dilipat di bagian kepala saat tidak digunakan.

DESKRIPSI KOMPONEN MESIN

Model DVC860L

(Model saringan kain (untuk debu kering dan basah))

- **Gbr.11:** 1. Tutup tangki 2. Float 3. Rangka float
4. Saringan kain 5. Tangki

Model DVC861L

(Model saringan serbuk (untuk debu kering))

- **Gbr.12:** 1. Tutup tangki 2. Filter serbuk (HEPA)
3. Peredam 4. Pra-saringan 5. Tangki

PERAKITAN

⚠️ PERHATIAN:

- Selalu pastikan bahwa pembersih dimatikan, dicabut stekernya, dan kartrid baterai dilepas sebelum melakukan pekerjaan apa pun pada pembersih.
- Selalu gunakan masker debu saat perakitan atau perawatan.

Memasang filter serbuk (HEPA) dan pra-saringan (untuk debu kering)

Pilihan aksesoris untuk model saringan kain

⚠️ PERHATIAN:

- Dilarang mengisap air atau cairan lain atau debu basah saat menggunakan saringan serbuk. Mengisap benda-benda tersebut dapat menyebabkan kerusakan saringan serbuk.

- **Gbr.13:** 1. Tutup tangki 2. Filter serbuk (HEPA)
3. Peredam 4. Pra-saringan 5. Tangki
6. Tanda posisi pemasangan

- **Gbr.14:** 1. Float 2. Rangka float

Untuk menggunakan saringan serbuk, lepaskan kerangka float dan float dengan melepaskan baut. Pasang pra-saringan di dalam tangki.

Selanjutnya, pasang peredam pada saringan serbuk dan pasang pada pra-saringan.

Ketika memasang saringan serbuk dan pra-saringan, sejajarkan tanda posisi pemasangan dengan tanda posisi pemasangan yang ada di bagian atas tangki. Terakhir, pasang tutup tangki dan kunci.

CATATAN:

- Sebelum menggunakan saringan serbuk, pastikan pra-saringan dan peredam selalu digunakan bersamaan. Dilarang memasang saringan serbuk tanpa memasang komponen lainnya.

Memasang saringan air (untuk model saringan kain) (aksesori pilihan)

⚠️ PERHATIAN:

- Dilarang mengisap air atau debu basah tanpa float dan saringan kain atau saringan air.
- Untuk mengisap debu basah, pastikan rangka float dan float terpasang pada pengisap.
- Saat memasang saringan air pada tangki, kencangkan bukaan tangki sehingga kait saringan air terpasang pada bukaan tangki dengan kuat dan tidak ada jarak antara saringan air dan tangki.

PEMBERITAHUAN:

- Disarankan menggunakan saringan air saat mengisap air dalam jumlah banyak secara berulang. Jika tidak, kemampuan isap dapat berkurang karena menggunakan saringan kain.

- **Gbr.15:** 1. Saringan air 2. Tangki 3. Tanda posisi pemasangan

Untuk mengisap air atau debu basah, saringan air lebih cocok daripada saringan kain.

Saat memasang saringan air, sejajarkan tanda posisi pemasangan pada saringan dan pada tangki.

Memasang saringan kertas (aksesori pilihan)

⚠️ PERINGATAN:

- Saat menggunakan saringan kertas, gunakan juga saringan kain atau pra-saringan bersamaan yang dipasang terlebih dahulu dalam mesin. Kelalaian untuk menggunakan saringan kain / pra-saringan bersamaan dapat menyebabkan suara dan panas tidak biasa, yang mengakibatkan terbakar.

⚠️ PERHATIAN:

(Untuk model saringan kain)

- Dilarang mengisap air atau cairan lain atau debu basah saat menggunakan saringan kertas. Mengisap benda-benda tersebut dapat menyebabkan kerusakan saringan kertas.
- Sebelum menggunakan saringan kertas, pastikan saringan serbuk (pilihan aksesoris), peredam (pilihan aksesoris) dan pra-saringan selalu digunakan bersamaan.

(Untuk model saringan serbuk)

- Sebelum menggunakan saringan kertas, pastikan saringan serbuk, peredam, dan pra-saringan selalu digunakan bersamaan.

1. Lepaskan penahan karet.

- **Gbr.16:** 1. Penahan karet

2. Rentangkan saringan kertas.

3. Sejajarkan bukaan saringan kertas dengan bukaan isapan debu pada pengisap.

4. Masukkan papan saringan kertas ke dalam penahan sehingga terpasang pada bagian ujung melebihi tonjolan penahan.

► **Gbr.17:** 1. Saringan kertas 2. Penahan

Memasang kantong polietilen

Pengisap juga dapat digunakan tanpa kantong polietilen. Namun, dengan menggunakan kantong polietilen mengosongkan tangki menjadi lebih mudah tanpa membuat tangan Anda kotor.

► **Gbr.18:** 1. Pelat penahan 2. Kantong polietilen

Rentangkan kantong polietilen dalam tangki. Masukkan kantong di antara pelat penahan dan tangki, dan tarik ke arah tempat masuk selang.

Rentangkan kantong di sekitar bagian atas tangki sehingga tepi pra-saringan dapat menjepit dan menahan kantong dengan aman.

CATATAN:

- Anda dapat menggunakan kantong polietilen yang tersedia di toko. Disarankan menggunakan ukuran 0,04 mm atau lebih tebal.
- Debu yang terlalu banyak dapat merobek kantong dengan mudah, jadi jangan mengisap debu lebih dari setengah kapasitas kantong.

Mengosongkan kantong polietilen

⚠PERINGATAN:

- Selalu pastikan bahwa pengisap telah dimatikan dan steker dicabut sebelum mengosongkan kantong polietilen. Kelalaian dalam melakukannya dapat mengakibatkan sengatan listrik atau cedera.

⚠PERHATIAN:

- Jangan sampai terjadi benturan keras pada rangka float dan tangki. Terjadinya benturan keras dapat menyebabkan perubahan bentuk dan kerusakan komponen.
- Kosongkan tangki setidaknya satu kali sehari tetapi hal ini tergantung dari volume debu yang terisap di dalam tangki. Jika tidak, daya isapan akan melemah dan motor dapat rusak.
- Dilarang memegang kait saat mengosongkan tangki. Memegang kait dapat menyebabkan kait patah.

Lepaskan kait dan angkat tutup tangki.

► **Gbr.19**

Bersihkan debu dari saringan kain / saringan serbuk kemudian keluarkan kantong polietilen dari tangki.

CATATAN:

- Keluarkan kantong polietilen dari tangki dengan hati-hati sehingga kantong polietilen tidak tersangkut dan robek oleh tonjolan di dalam tangki saat mengosongkannya.
- Kosongkan kantong polietilen sebelum penuh. Debu yang terlalu banyak di dalam tangki dapat menyebabkan kantong polietilen robek.

Memasang kotak alat

► **Gbr.20**

1. Lepaskan kunci dari tutup baterai, dan buka tutup baterai.
2. Atur rel pada kotak alat mengikuti alur pada rumah.
3. Pasang tutup baterai dan kunci.

► **Gbr.21**

Kotak alat cocok digunakan untuk membawa baterai, kabel ekstensi, pipa, dan manset.

Menyambungkan selang

⚠PERHATIAN:

- Dilarang menekuk atau menyentak selang secara paksa. Dilarang menarik selang saat menggerakkan pengisap. Menekuk, menyentak, dan menarik selang dapat menyebabkan kebocoran atau perubahan bentuk selang.
- Saat mengisap limbah besar seperti sampah mesin serut, debu beton atau sejenisnya kecuali limbah kecil, gunakan selang dengan diameter bagian dalam sebesar 38 mm (aksesori pilihan). Menggunakan selang dengan diameter dalam 28 mm (pilihan aksesori) dapat menyebabkan tersumbat dan rusaknya selang.

► **Gbr.22**

Masukkan selang ke dalam port pemasangan tangki dan putar searah jarum jam sampai terkunci.

PERAWATAN

⚠PERHATIAN:

- Selalu pastikan bahwa mesin dimatikan, dicabut stekernya, dan kartrid baterai dilepas sebelum melakukan pemeriksaan atau perawatan.

Penyimpanan kabel pasokan daya

► **Gbr.23**

Anda dapat menggulung kabel pasokan daya di sekitar kotak alat.

Penyimpanan aksesoris

► **Gbr.24**

► **Gbr.25**

Pipa dapat dimasukkan ke dalam penahan pipa saat tidak menggunakan pengisap dalam waktu lama.

► **Gbr.26**

Selang dapat disimpan melingkar pada alat dengan menghubungkan masing-masing ujungnya.

Pembersihan

⚠ PERHATIAN:

- Jangan sekali-kali menggunakan benzena, tiner, alkohol, atau bahan sejenisnya. Penggunaan bahan tersebut dapat menyebabkan perubahan warna, perubahan bentuk, atau timbulnya retakan.

Membersihkan saringan kain

Hanya untuk model saringan kain

► Gbr.27

Saringan kain yang tersumbat dapat menyebabkan kinerja isapan yang buruk.

Bersihkan saringan kain secara berkala.

Untuk membersihkan debu atau partikel yang melekat pada saringan kain, goyang bagian bawah rangka dengan cepat beberapa kali.

Membersihkan filter serbuk (HEPA) dan pra-saringan

Hanya untuk model saringan serbuk

Saringan serbuk, pra-saringan, dan peredam yang tersumbat menyebabkan kinerja isapan yang buruk.

Bersihkan saringan dan peredam secara berkala.

Untuk membersihkan debu atau partikel yang melekat pada saringan, goyang-goyang bagian bawah rangka dengan cepat beberapa kali.

► Gbr.28

Bersihkan saringan serbuk secara berkala, cuci dan keringkan di tempat yang teduh sebelum menggunakan. Dilarang mencuci saringan dengan mesin cuci.

CATATAN:

- Dilarang menggosok dan menggaruk saringan serbuk, pra-saringan atau peredam dengan benda keras seperti sikat dan pengeruk.
- Saringan akan aus seiring waktu. Disarankan untuk memiliki cadangannya.

Untuk menjaga KEAMANAN dan KEANDALAN produk, perbaikan, perawatan lain, atau penyetelan harus dilakukan oleh Pusat Layanan Resmi Makita dan selalu gunakan suku cadang pengganti buatan Makita.

AKSESORI PILIHAN

⚠ PERHATIAN:

- Dianjurkan untuk menggunakan aksesoris atau perangkat tambahan ini dengan mesin Makita Anda yang ditentukan dalam petunjuk ini. Penggunaan aksesoris atau perangkat tambahan lain bisa menyebabkan risiko cedera pada manusia. Hanya gunakan aksesoris atau perangkat tambahan sesuai dengan peruntukannya.

Jika Anda memerlukan bantuan lebih terperinci berkenaan dengan aksesoris ini, tanyakan pada Pusat Layanan Makita terdekat.

- Baterai dan pengisi daya asli buatan Makita
- Selang
- Manset depan (22, 24, 38)
- Pipa lurus
- Nosel sudut
- Sikat bulat
- Saringan serbuk, HEPA (untuk debu kering)
- Peredam
- Pra-saringan
- Rakitan nosel
- Pipa lengkung
- Kantong polietilen
- Saringan Air (pilihan untuk model saringan kain)
- Saringan kertas
- Set penahan

CATATAN:

- Beberapa item dalam daftar tersebut mungkin sudah termasuk dalam paket pengisap sebagai aksesoris standar. Hal tersebut dapat berbeda dari satu negara ke negara lainnya.

AMARAN

- Mesin ini tidak bertujuan untuk digunakan oleh individu termasuk kanak-kanak dengan kekurangan daya fizikal, deria atau mental, atau kekurangan pengetahuan dan pengalaman.
- Kanak-kanak harus diselia untuk memastikan mereka tidak bermain dengan pembersih ini.
- Jika kord bekalan rosak, ia mesti digantikan di kemudahan servis yang disahkan.
- Lihat bab "SPESIFIKASI" untuk rujukan jenis bateri.
- Lihat bahagian "Memasang atau mengeluarkan kartrij bateri" untuk cara mengeluarkan atau memasang bateri.
- Apabila melupuskan kartrij bateri, keluarkan ia daripada alat dan lupuskan ia di tempat selamat. Ikut peraturan tempatan anda mengenai pelupusan bateri.
- Jika alat tidak digunakan untuk tempoh masa yang lama, bateri mesti dikeluarkan daripada alat.
- Jangan pintaskan kartrij bateri.
- Lihat bab "PENYELENGGARAAN" untuk mendapatkan butiran langkah berjaga-jaga yang sesuai semasa penyelenggaraan pengguna.

SPESIFIKASI

Model		DVC860L	DVC861L
Jenis penapis standard		Penapis kain (untuk debu kering dan basah)	Penapis serbuk (untuk debu kering)
Aliran isi padu (udara)	Operasi DC (dengan hos BL1830, ø38 mm x 2.5 m)	2.1 m ³ /min	
	Operasi AC (dengan hos ø38 mm x 2.5 m)	3.6 m ³ /min	
Hampagas	Operasi DC (dengan hos BL1830, ø38 mm x 2.5 m)	90 hPa	
	Operasi AC (dengan hos ø38 mm x 2.5 m)	240 hPa	
Kapasiti boleh pulih	Debu	8 L	
	Air	6 L	-
Dimensi (P x L x T)		366 mm x 334 mm x 368 mm	
Perkadaran elektrik dengan operasi AC		Bergantung pada negara. Rujuk plat nama.	
Voltan terkadar (operasi dengan bateri)		D.C. 36 V	
Berat bersih		8.6 - 9.2 kg	9.3 - 9.9 kg
Tahap perlindungan		IPX4	
Kelas keselamatan		□/II	

- Disebabkan program penyelidikan dan pembangunan kami yang berterusan, spesifikasi yang terkandung di dalam ini adalah tertakluk kepada perubahan tanpa notis.
- Spesifikasi dan kartrij bateri mungkin berbeza mengikut negara.
- Berat tidak termasuk aksesori tetapi kartrij bateri. Berat kombinasi paling ringan dan paling berat perkakas dan kartrij bateri ditunjukkan di dalam jadual.
- Untuk debu basah, apungan dan penapis air atau penapis kain diperlukan.

Kartrij bateri dan pengecas yang boleh digunakan








Kartrij bateri	BL1815N / BL1820B / BL1830B / BL1840B / BL1850B / BL1860B
Pengecas	DC18RC / DC18RD / DC18RE / DC18SD / DC18SE / DC18SF / DC18SH

- Sesetengah kartrij bateri dan pengecas yang disenaraikan di atas mungkin tidak tersedia bergantung pada kawasan kediaman anda.

⚠️ AMARAN: Hanya menggunakan kartrij bateri dan pengecas yang disenaraikan di atas. Penggunaan mana-mana kartrij bateri dan pengecas lain boleh menyebabkan kecederaan dan/atau kebakaran.

Simbol

Berikut menunjukkan simbol-simbol yang boleh digunakan untuk alat ini. Pastikan anda memahami maksudnya sebelum menggunakan.

	Baca manual arahan.
	Sila gunakan dengan berhati-hati dan penuh perhatian.
	Amaran! Pembersih ini mungkin mengandungi debu yang berbahaya.
	Jangan sekali-kali berdiri di atas pembersih.
	Debu kelas L (ringan). Pembersih ini mampu menyedut debu kelas L. Ikut peraturan negara anda berkaitan dengan debu dan kesihatan dan keselamatan pekerjaan.
	PENEBATAN BERGANDA
	Hanya untuk negara-negara EU Disebabkan kehadiran komponen berbahaya dalam peralatan, sisa peralatan elektrik dan elektronik, akumulator dan bateri boleh memberi kesan negatif terhadap persekitaran dan kesihatan manusia. Jangan buang alat elektrik dan elektronik atau bateri bersama dengan bahan buangan isi rumah! Mengikut Arahan Eropah mengenai sisa peralatan elektrik dan elektronik dan mengenai akumulator dan bateri dan sisa akumulator dan bateri serta penyesuaian dengan undang-undang negara, sisa peralatan elektrik, bateri dan akumulator hendaklah disimpan secara berasingan dan dihantar ke tempat pengumpulan berasingan untuk sisa perbandaran, beroperasi mengikut peraturan perlindungan persekitaran. Ini ditunjukkan oleh simbol tong sampah beroda yang bersilang pada peralatan.

Tujuan penggunaan

Alat ini sesuai untuk kegunaan komersial, sebagai contoh di hotel, sekolah, hospital, kilang, kedai, pejabat dan perniagaan sewaan.

DVC860L

Alat ini bertujuan untuk mengumpul debu kering dan basah.

DVC861L

Tujuan penggunaan alat untuk mengumpul debu kering sahaja.

Bekalan kuasa

Alat ini perlu disambungkan hanya kepada bekalan kuasa dengan voltan yang sama seperti yang ditunjukkan pada papan nama, dan hanya boleh dikendalikan pada bekalan AC fasa tunggal. Ia mempunyai penempatan berganda dan oleh itu, ia juga boleh digunakan pada soket tanpa wayar bumi.

Amaran keselamatan pembersih hampagas berkord dan tanpa kord

AMARAN: PENTING! BACA DENGAN TELITI semua amaran keselamatan dan semua arahan SEBELUM GUNA. Kegagalan mematuhi amaran dan arahan boleh menyebabkan kejutan elektrik, kebakaran dan/atau kecederaan serius.

1. **Sebelum digunakan, pastikan yang pembersih ini mestilah digunakan oleh individu yang telah diberi arahan yang secukupnya tentang kegunaan pembersih ini.**
2. **Sebelum guna, pengendali hendaklah diberikan maklumat, arahan dan latihan untuk penggunaan mesin dan bahan yang akan digunakan, termasuk kaedah penyingkiran dan pelupusan bahan yang dikumpulkan.**
3. **Jika buih/cecair keluar, matikan dengan serta-merta.**
4. **Bersihkan peranti pengehad paras air secara kerap dan periksa ia bagi sebarang tanda kerosakan.**
5. **Jangan gunakan pembersih ini tanpa penapis. Gantikan penapis yang rosak dengan serta-merta.**
6. **PENGGUNAAN KORD SAMBUNGAN.** Semasa menggunakan kord sambungan kerana jarak yang agak jauh dari sumber kuasa, cuba gunakan kord yang cukup tebal tetapi tidak terlalu panjang, atau prestasi pembersih akan turut terjejas. Untuk kegunaan di luar, gunakan kord sambungan yang sesuai untuk kegunaan luar.
7. **AMARAN VOLTAN:** Sebelum menyambungkan pembersih ke sumber kuasa (soket elektrik, salur keluar dan sebagainya) pastikan voltan yang dibekalkan adalah sama seperti yang ditentukan pada plat nama pembersih. Sumber kuasa dengan voltan yang lebih besar daripada yang ditentukan bagi pembersih boleh mengakibatkan **KECEDERAAN SERIUS** kepada pengendali dan juga kerosakan pada pembersih. Jika ragu-ragu, **JANGAN PASANGKAN PALAM PEMBERSIH.** Menggunakan sumber kuasa dengan voltan yang rendah daripada kadar plat nama adalah berbahaya pada motor.
8. **ELAKKAN PERMULAAN YANG TIDAK DISENGAJAKAN.** Pastikan suis OFF memasukan palam.
9. **Jangan cuba untuk menyedut bahan mudah terbakar, bunga api, puntung rokok yang menyala, abu panas, serpihan logam panas, bahan tajam seperti pisau cukur, jarum, gelas yang pecah atau yang sama sepertinya.**
10. **JANGAN SEKALI-KALI GUNAKAN PEMBERSIH DI SEKITAR GASOLIN, GAS, CAT, PEREKAT ATAU LAIN-LAIN BAHAN YANG SANGAT MUDAH MELETUP.** Suis menghasilkan percikan semasa ON dan OFF. Penukar tertib motor juga begitu semasa operasi. Letupan yang berbahaya mungkin berlaku.

11. Jangan sekali-kali menyedut bahan toksik, karsinogenik, bahan mudah terbakar atau berbahaya yang lain seperti asbestos, arsenik, barium, berilium, plumbum, racun serangga, atau bahan lain yang memudaratkan kesihatan.
12. Sentiasa letakkan pembersih di permukaan rata yang mendatar untuk mengelakkan pembersih daripada terjatuh atau bergerak secara tidak sengaja.
13. Jangan sekali-kali menggunakan pembersih di luar dalam hujan.
14. Untuk Finland, mesin ini tidak boleh digunakan di luar pada suhu rendah.
15. Jangan gunakan berhampiran dengan sumber haba (dapur dan sebagainya).
16. Jika udara ekzos kembali ke bilik, kadar perubahan udara yang mencukupi perlu diberikan di dalam bilik. Rujukan kepada peraturan Kebangsaan diperlukan.
17. **HADANG DARIPADA KEJUTAN ELEKTRIK.** Elakkan sentuhan badan dengan permukaan terbumi. Sebagai contoh; paip, radiator, dapur, penutup peti sejuk.
18. Jangan halang injap penyejukan. Injap ini membenarkan penyejukan motor. Sumbatan harus dielakkan dengan berhati-hati jika tidak, motor akan terbakar disebabkan kurang pengudaraan.
19. Pastikan pijakan dan keseimbangan yang betul pada setiap masa.
20. **JANGAN SALAH GUNA KORD.** Jangan sekali-kali membawa pembersih pada kordnya atau menariknya untuk memutuskan sambungan daripada soket elektrik. Jauhkan kord daripada haba, minyak, dan bucu tajam. Periksa kord pembersih secara berkala dan jika ia rosak, baikinya di kemudahan servis yang disahkan. Periksa kord sambungan secara berkala dan gantikannya jika rosak.
21. Jangan lipat, tarik atau pijak hos.
22. Hentikan pembersih serta-merta jika anda mengesan prestasi yang lemah atau sesuatu yang tidak normal semasa operasi.
23. **PUTUSKAN SAMBUNGAN PEMBERSIH.** Apabila tidak digunakan, sebelum melakukan servis, dan semasa menukar aksesori.
24. Bersihkan dan servis pembersih serta-merta selepas setiap penggunaan untuk memastikan ia dalam keadaan operasi yang terbaik.
25. **SELENGGARA PEMBERSIH DENGAN BERHATI-HATI.** Pastikan pembersih sentiasa bersih untuk prestasi yang lebih baik dan selamat. Ikuti arahan untuk menukar aksesori. Pastikan pemegang sentiasa kering, bersih dan bebas daripada minyak dan gris.
26. **PERIKSA BAHAGIAN YANG ROSAK.** Sebelum menggunakan alat dengan lebih lanjut, pengadag atau bahagian lain yang rosak harus diperiksa dengan berhati-hati untuk menentukan yang ia akan beroperasi dengan betul dan berfungsi seperti yang dinyatakan. Periksa penjarangan bahagian yang bergerak, keterikatan bahagian yang bergerak, bahagian yang pecah, lekapan dan sebarang keadaan lain yang boleh menjejaskan operasinya. Pengadag atau bahagian lain yang rosak harus dibaiki dengan betul atau diganti oleh pusat servis sah melainkan sebaliknya dinyatakan di tempat lain dalam manual arahan ini. Gantikan suis yang rosak di pusat servis yang disahkan. Jangan gunakan pembersih jika suis tidak menghidupkan atau mematikannya.
27. Untuk servis pengguna, mesin hendaklah ditanggalkan, dibersihkan dan diservis, setakat yang boleh dilakukan secara munasabah, tanpa menimbulkan risiko kepada kakitangan penyelenggaraan dan orang lain.
28. Mesin harus diperiksa secara teknikal oleh pengeluar, atau orang yang diarahkan, sekurang-kurangnya setiap tahun, yang terdiri dari, contohnya, pemeriksaan penapis untuk kerosakan, ketegangan udara mesin dan fungsi mekanisme kawalan yang betul.
29. Apabila menjalankan perkhidmatan atau operasi pembaikan, semua barangan yang tercemar yang tidak dapat dibersihkan secara memuaskan akan dilupuskan; barang-barang tersebut hendaklah dilupuskan dalam beg yang tidak tahan lama mengikut peraturan semasa untuk pembuangan sisa tersebut.
30. **ALAT GANTIAN.** Semasa servis, gunakan hanya alat gantian yang serupa.
31. Apabila tidak digunakan, sentiasa simpan pembersih di dalam bangunan.
32. Penapis basah dan bahagian dalaman bekas cecair haruslah dikeringkan sebelum disimpan.
33. Jaga pembersih anda dengan baik. Pengendalian yang kasar boleh menyebabkan retakan walaupun pada pembersih yang dibina dengan sangat kukuh.
34. Jangan cuba untuk membersihkan bahagian luaran atau dalaman dengan benzin, pencair atau bahan pencuci kimia. Retakan dan perubahan warna boleh berlaku.
35. Jangan gunakan pembersih di ruang tertutup tempat wap mudah terbakar, meletup dan toksik dibebaskan oleh cat berasaskan minyak, pencair cat, gasolin, dan sesetengah bahan tahan rama-rama dan sebagainya atau di kawasan wujudnya debu mudah terbakar.
36. Jangan tinggalkan kord pembersih di atas lantai selepas anda selesai melakukan kerja pembersihan. Ia boleh menjadi bahaya tersadung atau boleh menyebabkan kerosakan pada pembersih.
37. Jangan mengendalikannya pembersih atau sebarang alat semasa di bawah pengaruh dadah atau alkohol.

38. Sebagai peraturan asas keselamatan, gunakan gogal keselamatan atau cermin mata keselamatan dengan pelindung sisi.
39. Gunakan topeng debu dalam keadaan kerja yang berdebu.
40. Mesin ini tidak bertujuan untuk digunakan oleh individu termasuk kanak-kanak dengan kekurangan daya fizikal, deria atau mental, atau kekurangan pengetahuan dan pengalaman.
41. Kanak-kanak harus diselia untuk memastikan mereka tidak bermain dengan pembersih ini.
42. Jangan sekali-kali mengendalikan kord palam atau pembersih dengan tangan yang basah.
43. Gunakan langkah yang lebih berhati-hati semasa membersihkan tangga.
44. Jangan gunakan pembersih sebagai bangku atau bangku kerja. Mesin mungkin terjatuh dan boleh mengakibatkan kecederaan diri.

Penggunaan dan penjagaan alat bateri

1. **Cas semula dengan pengecas yang ditentukan oleh pengeluar sahaja.** Pengecas yang sesuai untuk satu jenis pek bateri mungkin menimbulkan risiko kebakaran apabila digunakan dengan pek bateri lain.
2. **Gunakan alat kuasa dengan pek bateri yang ditentukan secara khusus sahaja.** Penggunaan mana-mana pek bateri lain mungkin menimbulkan risiko kecederaan dan kebakaran.
3. **Apabila pek bateri tidak digunakan, jauhkannya daripada objek logam lain, seperti klip kertas, duit syiling, kunci, paku, skru atau objek logam kecil lain, yang boleh membuat sambungan dari satu terminal ke terminal yang lain.** Memintas terminal bateri bersama-sama mungkin menyebabkan lecuran atau kebakaran.
4. **Di bawah keadaan kasar, cecair mungkin dikeluarkan daripada bateri; elakkan sentuhan. Jika tersentuh secara tidak sengaja, siram dengan air. Jika cecair terkena mata, dapatkan bantuan perubatan di samping siraman air.** Cecair yang dikeluarkan dari bateri mungkin menyebabkan kegatalan atau lecuran.
5. **Jangan gunakan pek bateri atau alat yang rosak atau diubah suai.** Bateri yang rosak atau diubah suai mungkin menunjukkan perilaku yang tidak dijangka menyebabkan kebakaran, letupan atau risiko kecederaan.
6. **Jangan dedahkan pek bateri atau alat kepada api atau suhu yang berlebihan.** Pendedahan kepada api atau suhu melebihi 130 °C mungkin menyebabkan letupan.
7. **Ikut semua arahan pengecasan dan jangan cas pek bateri atau alat di luar julat suhu yang ditetapkan dalam arahan.** Mengecas dengan tidak betul atau pada suhu di luar julat yang dinyatakan mungkin merosakkan bateri dan meningkatkan risiko kebakaran.

SIMPAN ARAHAN INI.

AMARAN: JANGAN biarkan keeselesaian atau kebiasaan dengan produk (diperoleh dari kegunaan berulang) menggantikan pematuhan ketat terhadap peraturan keselamatan untuk produk yang ditetapkan. SALAH GUNA atau kegagalan mematuhi peraturan-peraturan keselamatan yang dinyatakan dalam manual arahan ini boleh menyebabkan kecederaan diri yang serius.

Arahan keselamatan penting untuk kartrij bateri

1. **Sebelum menggunakan kartrij bateri, baca semua arahan dan tanda amaran pada (1) pengecas bateri, (2) bateri, dan (3) produk menggunakan bateri.**
2. **Jangan buka atau cabut kartrij bateri.** Ia boleh mengakibatkan kebakaran, haba berlebihan, atau letupan.
3. **Jika masa operasi menjadi sangat pendek, berhenti operasi serta merta.** Ia mungkin menyebabkan risiko pemanasan lampau, melecur bahkan letupan.
4. **Jika elektrolit masuk ke dalam mata anda, bilas mata dengan air jernih dan dapatkan rawatan perubatan serta merta.** Ia mungkin menyebabkan kehilangan penglihatan.
5. **Jangan pintaskan kartrij bateri:**
 - (1) **Jangan sentuh terminal dengan bahan berkonduksi.**
 - (2) **Elakkan menyimpan kartrij bateri dalam bekas bersama-sama objek besi lain seperti paku, duit syiling, dll.**
 - (3) **Jangan dedahkan kartrij bateri kepada air atau hujan.**

Pintasan bateri boleh menyebabkan aliran kuasa yang besar, pemanasan lampau, melecur dan juga kerosakan.
6. **Jangan simpan dan gunakan alat dan kartrij bateri di lokasi yang suhunya mungkin mencapai atau melebihi 50 °C (122 °F).**
7. **Jangan bakar kartrij bateri walaupun jika ia rosak teruk atau haus sepenuhnya.** Kartrij bateri boleh meletup dalam kebakaran.
8. **Jangan paku, potong, pecahkan, buang, jatuhkan kartrij bateri, atau tekan objek keras pada kartrij bateri.** Perbuatan sedemikian boleh mengakibatkan kebakaran, haba berlebihan, atau letupan.
9. **Jangan gunakan bateri yang rosak.**

10. **Bateri litium ion yang terkandung adalah tertakluk kepada keperluan Perundangan Barangan Berbahaya.**
Bagi pengangkutan komersil cth. oleh pihak ketiga, ejen penghantar, keperluan khas pada pembungkusan dan pelabelan mestilah diperhatikan.
Bagi persediaan item yang dihantar, berunding dengan pakar bahan berbahaya adalah diperlukan. Sila juga perhatikan sebolehnya peraturan kebangsaan yang lebih terperinci. Lekatkan atau balut bahagian terbuka dan pek bateri supaya ia tidak bergerak dalam pembungkusan.
11. **Apabila melupuskan kartrij bateri, keluarkan ia daripada alat dan lupuskan ia di tempat selamat. Ikut peraturan tempatan anda mengenai pelupusan bateri.**
12. **Gunakan bateri hanya dengan produk yang ditentukan oleh Makita.** Memasang bateri kepada produk yang tidak patuh mungkin menyebabkan kebakaran, pemanasan lampau, atau kebocoran elektrolit.
13. **Jika alat tidak digunakan untuk tempoh masa yang lama, bateri mesti dikeluarkan daripada alat.**
14. **Semasa dan selepas penggunaan, kartrij bateri mungkin ada haba yang boleh menyebabkan terbakar atau suhu rendah terbakar. Beri perhatian kepada pengendalian kartrij bateri yang panas.**
15. **Jangan sentuh terminal alat itu selepas digunakan kerana ia mungkin panas menyebabkan terbakar.**
16. **Jangan biarkan cip, habuk, atau tanah terperangkap ke dalam terminal, lubang, dan alur kartrij bateri.** Ia mungkin menyebabkan prestasi atau pecahan yang buruk dari alat atau kartrij bateri.
17. **Melainkan alat ini menyokong penggunaan yang hampir dari talian kuasa elektrik voltan tinggi, jangan gunakan kartrij bateri berhampiran talian kuasa elektrik voltan tinggi.** Ia mungkin menyebabkan kerosakan atau pecah pada alat atau kartrij bateri.
18. **Jauhkan bateri daripada kanak-kanak.**

SIMPAN ARAHAN INI.

⚠PERHATIAN: Hanya gunakan bateri asli Makita. Penggunaan bateri tidak asli Makita, atau bateri yang telah diubah suai, mungkin menyebabkan bateri meletup menyebabkan kebakaran, kecederaan diri dan kerosakan. Ia juga membatalkan jaminan Makita untuk alat Makita dan pengecas.

Tip untuk mengekalkan hayat bateri maksimum

1. **Cas kartrij bateri sebelum ternyahcas sepenuhnya. Sentiasa hentikan operasi alat dan cas kartrij bateri apabila anda menyedari kurang kuasa alat.**
2. **Jangan cas semula kartrij bateri yang dicas sepenuhnya. Terlebih cas memendekkan hayat servis bateri.**

3. **Cas kartrij bateri dengan suhu bilik pada 10 °C - 40 °C (50 °F - 104 °F). Biarkan kartrij bateri yang panas menyejuk sebelum mengecasnya.**
4. **Apabila tidak menggunakan kartrij bateri, tanggalkannya dari alat atau pengecas.**
5. **Cas kartrij bateri jika anda tidak gunakannya untuk tempoh yang lama (lebih daripada enam bulan).**

KETERANGAN FUNGSI

Gunakan dengan kuasa AU:

⚠AMARAN:

- **Sebelum memasang pembersih pada palam, sentiasa pastikan alat dimatikan.** Memasang pembersih pada palam dengan suis yang dihidupkan boleh menyebabkan permulaan tidak dijangkakan yang mengakibatkan kecederaan diri yang serius.

► **Rajah1:** 1. Palam (bentuk dan panjang kord mungkin berbeza mengikut negara)

Sambungkan palam ke bekalan kuasa.

► **Rajah2:** 1. Penunjuk kuasa AU

Penunjuk kuasa AU menyala semasa menetapkan suis tunggu sedia pada sisi "I".

NOTA:

- Walaupun mengendalikan dalam mod kuasa DC, alat akan secara automatik bertukar kepada mod kuasa AU apabila dipasang.
- Jika palam alat dicabut semasa operasi dengan bateri terpasang, pembersih akan berada dalam keadaan tunggu sedia.

Penggunaan dengan bateri:

Memasang atau mengeluarkan kartrij bateri

⚠PERHATIAN:

- Sentiasa pastikan pembersih dimatikan, palamnya dicabut dan kartrij bateri dikeluarkan sebelum menyelaras atau menyemak fungsi pada alat.
- **Pegang pembersih dan kartrij bateri dengan kukuh apabila memasang atau mengeluarkan kartrij bateri.** Kegagalan untuk memegang pembersih dan kartrij bateri dengan kukuh boleh menyebabkan ia terlepas daripada tangan anda dan mengakibatkan kerosakan kepada pembersih dan kartrij bateri serta kecederaan diri.
- **Berhati-hati supaya tidak terkepit jari anda semasa membuka atau menutup penutup bateri.** Gagal berbuat demikian boleh menyebabkan kecederaan peribadi.

► **Rajah3:** 1. Kunci 2. Penutup bateri

Untuk memasang kartrij bateri, lepaskan kunci dahulu, dan buka penutup bateri. Kemudian, masukkan kartrij bateri.

► **Rajah4:** 1. Kartrij bateri

Sejajarkan lidah pada kartrij bateri dengan alur pada perumahan dan selitkan ia ke tempatnya. Masukkan ia sepenuhnya sehingga ia terkunci di tempatnya dengan klik kecil. Kemudian, kunci penutup bateri.

Untuk mengeluarkan kartrij bateri, luruskan ia daripada alat apabila meluncurkan butang di hadapan kartrij.

NOTIS:

- Keluarkan palam pembersih daripada kord sambungan semasa menggunakan pembersih dengan bateri.

⚠ PERHATIAN:

- Sentiasa pasang kartrij bateri sepenuhnya pada tempatnya. Jika tidak, ia mungkin jatuh daripada alat, menyebabkan kecederaan kepada anda atau seseorang di sekeliling anda.
- Jangan pasang kartrij bateri secara paksa. Jika kartrij tidak meluncur dengan mudah, ia tidak dimasukkan dengan betul.

NOTA:

- Pembersih tidak berfungsi dengan hanya satu kartrij bateri.


Sistem perlindungan alat / bateri

Alat dilengkapi dengan sistem perlindungan alat/bateri. Sistem ini memotong kuasa kepada motor secara automatik untuk memanjangkan hayat alat dan bateri. Alat akan berhenti secara automatik ketika operasi jika alat atau bateri diletakkan di bawah salah satu keadaan berikut. Dalam keadaan tertentu, penunjuk menyala.

Perlindungan lebih beban

Jika alat terlebih beban, alat akan berhenti secara automatik. Dalam situasi ini, matikan alat dan hentikan penggunaan yang menyebabkan alat menjadi terlebih beban. Kemudian hidupkan alat untuk mula semula.

Perlindungan pemanasan lampau untuk alat

■:Hidup	▣:Berkelip
	

Apabila alat terlampau panas, alat berhenti secara automatik dan penunjuk bateri berkelip selama lebih kurang 60 saat. Dalam situasi ini, biarkan alat sejuk sebelum menghidupkan semula alat.

Perlindungan lebih nyahcas

Apabila kapasiti bateri menjadi rendah, alat akan berhenti secara automatik. Jika produk tidak beroperasi walaupun suis telah dioperasikan, keluarkan bateri daripada alat dan cas bateri.



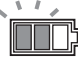


Penunjuk kapasiti bateri yang tinggal

► **Rajah5:** 1. Butang SEMAK

► **Rajah6**

Tekan butang semak untuk menjadikan penunjuk bateri menunjukkan kapasiti bateri yang tinggal. Penunjuk bateri sepadan dengan setiap bateri.

Penunjuk kapasiti bateri yang tinggal

Status penunjuk bateri	Kapasiti bateri yang tinggal
	
	50% - 100%
	20% - 50%
	0% - 20%
	Cas bateri

Menunjukkan kapasiti bateri yang tinggal

Hanya untuk kartrij bateri dengan penunjuk

► **Rajah7:** 1. Lampu penunjuk 2. Butang semak

Tekan butang semak pada kartrij bateri untuk menunjukkan kapasiti bateri yang tinggal. Lampu penunjuk menyala untuk beberapa saat.

Lampu penunjuk			Kapasiti yang tinggal
■ Dinyalakan	□ Mati	▣ Berkelip	
■ ■ ■ ■			75% hingga 100%
■ ■ ■ □			50% hingga 75%
■ □ □ □			25% hingga 50%
■ □ □ □			0% hingga 25%
▣ □ □ □			Cas bateri.
■ □ □ □			Bateri mungkin telah rosak.
□ □ ■ ■			



NOTA: Bergantung kepada keadaan penggunaan dan suhu persekitaran, penunjuk mungkin berbeza sedikit daripada kapasiti sebenar.

NOTA: Lampu penunjuk (kiri jauh) pertama akan berkedip apabila sistem perlindungan bateri berfungsi.

Tindakan suis

- **Rajah8:** 1. Suis tunggu sedia 2. Butang kuasa
3. Tombol pelaras daya sedutan

Untuk memulakan pembersih:

1. Tetapkan suis tunggu sedia pada sisi "I".
Pembersih berada dalam keadaan tunggu sedia.
2. Tekan butang kuasa.
Untuk menjadikan pembersih berada dalam mod tunggu sedia, tekan butang kuasa semula.
Untuk mematikan pembersih, tetapkan suis tunggu sedia pada sisi "O".
Kuasa sedutan boleh dilaraskan mengikut keperluan kerja anda.
Kuasa sedutan boleh ditingkatkan dengan memutar tombol pelaras daya sedutan daripada simbol  ke simbol .

NOTIS:

- Sentiasa tetapkan suis tunggu sedia pada sisi "O" apabila tidak menggunakan pembersih untuk jangka masa yang lama. Pembersih menggunakan kuasa semasa keadaan tunggu sedia.

Penyedutan automatik terhenti semasa operasi penyedutan basah (untuk model penapis kain)

⚠ AMARAN:

- **Jangan gunakan untuk jangka masa yang lama semasa apungan berfungsi.**
Menggunakan pembersih dengan apungan berfungsi untuk jangka masa yang lama boleh menyebabkan pemanasan lampau, mengakibatkan perubahan bentuk pembersih.
- **Jangan sedut buih atau cecair bersabun.**
Menyedut buih atau cecair bersabun boleh menyebabkan buih terkeluar dari bukaan udara sebelum apungan berfungsi. Penggunaan dalam keadaan ini secara berterusan boleh menyebabkan kejutan elektrik dan keretakan pada pembersih.

Penyedutan automatik memberhentikan kerja hanya apabila digunakan dengan apungan dan sangkar apungan.

Pembersih mempunyai mekanisme apungan yang mengelakkan air daripada terendam ke dalam motor semasa menyedut lebih daripada jumlah tertentu air. Apabila tangki penuh dan pembersih tidak lagi menyedut air, matikan pembersih dan kosongkan tangki.

Mengunci dan membuka kunci lereng-lereng

- **Rajah9:** 1. Lereng-lereng 2. Tuil penahan
3. Kedudukan BEBAS 4. Kedudukan KUNCI

Untuk mengunci lereng-lereng dengan penahan, rendahkan tuil penahan dan lereng-lereng tidak lagi akan berputar. Untuk melepaskan lereng-lereng daripada posisi terkunci, naikkan tuil penahan. Mengunci lereng-lereng memudahkan penyimpanan pembersih, memberhentikan kerja semasa ia berjalan dan mengekalkan pembersih dalam keadaan pegun. Untuk mengendalikan penahan, gerakkan ia dengan tangan.

NOTA:

- Semasa menggerakkan pembersih, pastikan bahawa lereng-lereng tidak dikunci. Menggerakkan pembersih dengan lereng-lereng pada kedudukan terkunci boleh menyebabkan kerosakan kepada lereng-lereng.

Pemegang pembawa

- **Rajah10**

Semasa membawa pembersih, bawa ia dengan memegang pada pemegang pada kepala. Pemegang boleh dilipat pada kepala apabila tidak digunakan.

KETERANGAN BAHAGIAN

Model DVC860L

(Model penapis kain (untuk debu kering dan basah))

- **Rajah11:** 1. Penutup tangki 2. Apungan 3. Sangkar apungan 4. Penapis kain 5. Tangki

Model DVC861L

(Model penapis serbuk (untuk debu kering))

- **Rajah12:** 1. Penutup tangki 2. Penapis serbuk (HEPA) 3. Peredam 4. Penapis awal 5. Tangki

PEMASANGAN

⚠️ **PERHATIAN:**

- Sentiasa pastikan pembersih dimatikan, palamnya dicabut, dan kartrij bateri dikeluarkan sebelum menjalankan sebarang kerja pada pembersih.
- Sentiasa pakai topeng debu semasa pemasangan atau penyelenggaraan.

Memasang penapis serbuk (HEPA) dan penapis awal (untuk debu kering)

Aksesori pilihan untuk model penapis kain

⚠️ **PERHATIAN:**

- Jangan sekali-kali menyedut air atau cecair lain atau debu basah semasa menggunakan penapis serbuk. Menyedut benda sedemikian boleh menyebabkan kebocoran penapis serbuk.

► **Rajah13:** 1. Penutup tangki 2. Penapis serbuk (HEPA) 3. Peredam 4. Penapis awal 5. Tangki 6. Penandaan kedudukan pelekap

► **Rajah14:** 1. Apungan 2. Sangkar apungan

Untuk menggunakan penapis serbuk, keluarkan sangkar apungan dan apungan dengan mengeluarkan bolt.

Letakkan penapis awal ke dalam tangki.

Seterusnya, lepaskan peredam pada penapis serbuk dan kemudian letakkan ia ke dalam penapis awal.

Semasa memasang penapis serbuk dan penapis awal, sejajarkan penandaan kedudukan pelekap pada setiap daripadanya dengan penandaan yang terdapat pada bahagian atas tangki.

Akhir sekali, lepaskan penutup tangki dan kuncikannya.

NOTA:

- Sebelum menggunakan penapis serbuk, pastikan penapis awal dan peredam sentiasa digunakan bersama. Tidak dibenarkan untuk memasang penapis serbuk semata-mata.

Memasang penapis air (untuk model penapis kain) (aksesori pilihan)

⚠️ **PERHATIAN:**

- Jangan sekali-kali menyedut air atau debu basah tanpa apungan dan penapis kain atau penapis air.
- Untuk menyedut debu basah, pastikan yang sangkar apungan dan apungan dipasang pada pembersih.
- Semasa memasang penapis air pada tangki, pasang ia dengan ketat pada bukaan tangki supaya cangkuk penapis air memegang bukaan tangki dengan kukuh dan tidak terdapat ruang di antara penapis air dengan tangki.

NOTIS:

- Disarankan untuk menggunakan penapis air apabila menyedut sejumlah air yang banyak berulang kali. Jika tidak, keupayaan hampangan mungkin berkurangan daripada segi penapis kain.
- **Rajah15:** 1. Penapis air 2. Tangki 3. Penandaan kedudukan pelekap

Untuk menyedut air atau debu basah sahaja, penapis air adalah lebih sesuai berbanding penapis kain.

Apabila memasang penapis air, sejajarkan tanda kedudukan pelekap dengan tanda yang terdapat pada tangki.

Memasang pek kertas (aksesori pilihan)

⚠️ **AMARAN:**

- Apabila menggunakan pek kertas, gunakan juga penapis kain atau penapis awal bersama-sama yang telah diprapasng pada alat. Kegagalan untuk menggunakan penapis kain / penapis awal bersama-sama boleh menyebabkan hingar dan haba luar biasa, yang boleh mengakibatkan kebakaran.

⚠️ **PERHATIAN:**

(Untuk model penapis kain)

- Jangan sekali-kali menyedut air atau cecair lain atau debu basah semasa menggunakan pek kertas. Menyedut benda sedemikian boleh menyebabkan kebocoran pek kertas.
- Sebelum menggunakan pek kertas, pastikan bahawa penapis serbuk (aksesori pilihan), peredam (aksesori pilihan) dan penapis awal sentiasa digunakan bersama-sama.

(Untuk model penapis serbuk)

- Sebelum menggunakan pek kertas, pastikan bahawa penapis serbuk, peredam dan penapis awal sentiasa digunakan bersama-sama.

1. Mengeluarkan pemegang getah.

► **Rajah16:** 1. Pemegang getah

2. Panjangkan pek kertas.

3. Sejajarkan bukaan pek kertas dengan bukaan penyedut habuk pembersih.

4. Masukkan kadbod pek kertas ke dalam pemegang supaya ia berada di hujung melepasi tonjolan penahan.

► **Rajah17:** 1. Pek kertas 2. Pemegang

Memasang beg polietilena

Pembersih juga boleh digunakan tanpa beg polietilena. Walau bagaimanapun, penggunaan beg polietilena memudahkan pengosongan tangki tanpa mengotorkan tangan anda.

► **Rajah18:** 1. Plat pemegang 2. Beg polietilena

Hamparkan beg polietilena ke dalam tangki. Sisipkan ia di antara plat pemegang dan tangki, dan tarikny ke salur masuk hos.

Hamparkan beg di sekeliling bahagian atas tangki supaya bucu penapis awal boleh memegang dan menahan beg dengan kukuh.

NOTA:

- Beg polietilena yang boleh didapati di pasaran boleh digunakan. Ketebalan 0.04 mm atau lebih adalah disarankan.
- Debu yang terlalu banyak boleh mengoyakkan beg dengan mudah, jadi, jangan kumpul debu lebih daripada separuh kapasiti beg.

Mengosongkan beg polietilena**⚠AMARAN:**

- Sentiasa pastikan pembersih dimatikan dan palamnya dicabut sebelum mengosongkan beg polietilena. Kegagalan berbuat demikian boleh menyebabkan kejutan elektrik dan kecederaan diri yang serius.

⚠PERHATIAN:

- Jangan kenakan impak yang besar pada sangkar apungan dan tangki. Impak yang kuat boleh menyebabkan perubahan bentuk dan merosakkan bahagian.
- Kosongkan tangki sekurang-kurangnya sehari sekali walaupun ini bergantung kepada isi padu debu yang disedut dalam tangki. Atau, daya sedutan akan lemah dan motor boleh rosak.
- Jangan sentap cangkuk semasa mengosongkan tangki. Menyentap cangkuk boleh menyebabkan cangkuk patah.

Cabut cangkuk dan angkat penutup tangki.

► **Rajah19**

Goncang debu daripada penapis kain / penapis serbuk dan kemudian keluarkan beg polietilena dari tangki.

NOTA:

- Keluarkan beg polietilena dengan berhati-hati dari tangki supaya beg polietilena tidak tersangkut dan terkoyak oleh tonjolan di dalam tangki semasa dikosongkan.
- Kosongkan beg polietilena sebelum ia penuh. Terlalu banyak debu di dalam tangki boleh menyebabkan beg polietilena terkoyak.

Memasang kotak alat► **Rajah20**

1. Lepaskan kunci penutup bateri dan buka penutup bateri.
2. Tetapkan rel pada kotak alat di sepanjang alur pada perumah.
3. Tutup penutup bateri dan pasangkan kunci.

► **Rajah21**

Kotak alat memudahkan untuk membawa bateri, kord sambungan, paip, atau kaf.

Menyambungkan hos**⚠PERHATIAN:**

- Jangan sekali-kali paksa hos dengan membengkok atau menghentaknya. Jangan sekali-kali menggerakkan pembersih dengan hos. Memaksa, menghentak dan menarik hos boleh menyebabkan hos pecah atau berubah bentuk.
- Semasa menyedut sisa yang besar seperti ukiran pengetam, debu konkrit atau yang serupa selain sisa kecil, gunakan hos berdiameter dalaman 38 mm (aksesori pilihan). Menggunakan hos berdiameter dalaman 28 mm (aksesori pilihan) boleh menyebabkan sumbatan dan kerosakan hos.

► **Rajah22**

Masukkan hos ke dalam port pelepas tangki dan pusingkan ia mengikut arah jam sehingga ia terkunci.

PENYELENGGARAAN**⚠PERHATIAN:**

- Sentiasa pastikan alat dimatikan, palamnya dicabut dan kartrij bateri dikeluarkan sebelum cuba menjalankan pemeriksaan atau penyelenggaraan.

Penyimpanan kord bekalan kuasa► **Rajah23**

Anda boleh menggulung kord bekalan kuasa di keliling kotak alat.

Penyimpanan aksesori► **Rajah24**► **Rajah25**

Paip boleh diletakkan ke dalam pemegang paip apabila pembersih tidak digunakan untuk masa yang singkat.

► **Rajah26**

Hos boleh disimpan di keliling alat dengan menyambungkan setiap hujung.

Membersih**⚠PERHATIAN:**

- Jangan gunakan gasolin, benzin, pencair, alkohol atau bahan yang serupa. Ia boleh menyebabkan perubahan warna, bentuk atau keretakan.

Membersihkan penapis kain

Hanya untuk model penapis kain

► **Rajah27**

Penapis kain yang tersumbat menyebabkan prestasi sedutan yang lemah.

Bersihkan penapis kain dari semasa ke semasa.

Untuk mengeluarkan debu atau zarah yang melekat pada penapis kain, goncangkan bahagian bawah rangka dengan cepat beberapa kali.

Membersihkan penapis serbuk (HEPA) dan penapis awal

Hanya untuk model penapis serbuk

Penapis serbuk, penapis awal dan peredam yang tersumbat menyebabkan prestasi sedutan yang lemah. Bersihkan penapis dan peredam dari semasa ke semasa.

Untuk mengeluarkan debu atau zarah yang melekat pada penapis, goncangkan bahagian bawah rangka dengan cepat beberapa kali.

► Rajah28

Basuh penapis serbuk sekali-sekala di dalam air, bilas dan keringkan sepenuhnya di bawah teduhan sebelum menggunakannya. Jangan sekali-kali basuh penapis di dalam mesin basuh.

NOTA:

- Jangan gosok atau calarkan penapis serbuk, penapis awal atau peredam dengan objek keras seperti berus dan sudip.
- Penapis akan haus lama-kelamaan. Disyorkan untuk mendapatkan alat ganti bagi penapis.

Untuk mengekalkan KESELAMATAN dan KEBOLEHPERCAYAAN produk, pembaikan, sebarang penyelenggaraan atau penyesuaian lain perlu dilakukan oleh Kilang atau Pusat Servis Makita yang Diiktiraf, sentiasa gunakan alat ganti Makita.

AKSESORI PILIHAN

PERHATIAN:

- Aksesori atau alat tambahan ini adalah disyorkan untuk digunakan dengan alat Makita anda yang dinyatakan dalam manual ini. Penggunaan mana-mana aksesori atau alat tambahan lain mungkin mengakibatkan risiko kecederaan kepada orang. Hanya gunakan aksesori atau alat tambahan untuk tujuan yang dinyatakannya.

Jika anda memerlukan bantuan untuk butiran lanjut berkenaan aksesori ini, tanya Pusat Servis Makita tempatan anda.

- Bateri dan pengecas asli Makita
- Hos
- Kaf hadapan (22, 24, 38)
- Paip lurus
- Muncung penjuru
- Berus bulat
- Penapis serbuk, HEPA (untuk debu kering)
- Peredam
- Penapis awal
- Pemasangan muncung
- Paip bengkok
- Beg polietilena
- Penapis Air (pilihan untuk model penapis kain)
- Pek kertas
- Set pemegang

NOTA:

- Beberapa item dalam senarai mungkin disertakan dalam pakej alat sebagai aksesori standard. Item mungkin berbeza mengikut negara.

CẢNH BÁO

- Máy này không dành cho những người suy giảm thể chất, giác quan hoặc khả năng trí óc, hoặc thiếu kinh nghiệm và kiến thức sử dụng bao gồm cả trẻ em.
- Trẻ em cần được giám sát để đảm bảo rằng chúng sẽ không nghịch máy hút bụi.
- Nếu dây nguồn bị hỏng, phải nhờ cơ sở bảo trì được ủy quyền thay thế.
- Xem chương "THÔNG SỐ KỸ THUẬT" để biết loại tham chiếu dành cho pin.
- Xem phần "Lắp hoặc tháo hộp pin" để biết cách tháo hoặc lắp pin.
- Khi vứt bỏ hộp pin, hãy tháo chúng khỏi dụng cụ và thải bỏ ở nơi an toàn. Phải tuân thủ theo các quy định của địa phương liên quan đến việc thải bỏ pin.
- Nếu dụng cụ không được sử dụng trong một thời gian dài, cần phải tháo pin ra khỏi dụng cụ.
- Không để hộp pin ở tình trạng đoản mạch.
- Xem chương "BẢO DƯỠNG" để biết các chi tiết thích hợp về các biện pháp phòng ngừa trong quá trình bảo dưỡng của người dùng.

THÔNG SỐ KỸ THUẬT

Kiểu		DVC860L	DVC861L
Loại bộ lọc tiêu chuẩn		Bộ lọc vải (cho bụi khô và ướt)	Bộ lọc bụi dạng bột (cho bụi khô)
Lưu lượng (khí)	Thao tác DC (với BL1830, ống ø38 mm x 2,5 m)	2,1 m ³ /min	
	Thao tác AC (với ống ø38 mm x 2,5 m)	3,6 m ³ /min	
Lưu lượng hút	Thao tác DC (với BL1830, ống ø38 mm x 2,5 m)	90 hPa	
	Thao tác AC (với ống ø38 mm x 2,5 m)	240 hPa	
Dung lượng hút	Bụi	8 L	
	Nước	6 L	-
Kích thước (D x R x C)		366 mm x 334 mm x 368 mm	
Thông số định mức điện khi vận hành bằng AC		Tùy theo quốc gia. Tham khảo biển tên.	
Điện áp định mức (vận hành bằng pin)		D.C. 36 V	
Khối lượng tịnh		8,6 - 9,2 kg	9,3 - 9,9 kg
Cấp bảo vệ		IPX4	
Cấp an toàn		□/II	

- Do chương trình nghiên cứu và phát triển liên tục của chúng tôi nên các thông số kỹ thuật trong đây có thể thay đổi mà không cần thông báo trước.
- Các thông số kỹ thuật và hộp pin có thể thay đổi tùy theo từng quốc gia.
- Khối lượng không bao gồm các phụ kiện, ngoại trừ (các) hộp pin. Khối lượng kết hợp nhẹ nhất, nặng nhất của thiết bị và (các) hộp pin được thể hiện như trong bảng.
- Với bụi ướt, cần phải có phao và bộ lọc nước hoặc bộ lọc vải.

Hộp pin và sạc pin có thể áp dụng

Hộp pin	BL1815N / BL1820B / BL1830B / BL1840B / BL1850B / BL1860B
Bộ sạc	DC18RC / DC18RD / DC18RE / DC18SD / DC18SE / DC18SF / DC18SH

- Một số hộp pin và sạc pin được nêu trong danh sách ở trên có thể không khả dụng tùy thuộc vào khu vực cư trú của bạn.

⚠ CẢNH BÁO: Chỉ sử dụng hộp pin và sạc pin được nêu trong danh sách ở trên. Việc sử dụng bất cứ hộp pin và sạc pin nào khác có thể gây ra thương tích và/hoặc hỏa hoạn.

Ký hiệu

Phần dưới đây cho biết các ký hiệu có thể được dùng cho thiết bị. Đảm bảo rằng bạn hiểu rõ ý nghĩa của các ký hiệu này trước khi sử dụng.



Đọc tài liệu hướng dẫn.



Hãy cẩn thận và đặc biệt chú ý.



Cảnh báo! Máy hút bụi có thể chứa bụi nguy hiểm.



Không bao giờ đứng lên máy hút bụi.



Bụi loại L (nhẹ). Máy hút bụi có khả năng hút bụi loại L. Tuân thủ theo các quy định của quốc gia của bạn liên quan đến bụi và sức khỏe và an toàn nghề nghiệp.



CÁCH ĐIỆN CẤP 2



Ni-MH
Li-ion

Chỉ dành cho các quốc gia EU
Do có các thành phần nguy hiểm bên trong thiết bị điện và điện tử, ắc quy và pin thải bỏ nên có thể có tác động không tốt đến môi trường và sức khỏe con người.
Không vứt bỏ các thiết bị điện và điện tử hoặc pin rời rác thải sinh hoạt!
Theo Chỉ thị của Châu Âu về thiết bị điện và điện tử thải bỏ và về pin và ắc quy và pin và ắc quy thải bỏ, cũng như sự thích ứng của chúng với luật pháp quốc gia, các thiết bị điện, pin và ắc quy thải phải được cất giữ riêng biệt và chuyển đến một điểm thu gom rác thải đô thị riêng, hoạt động theo các quy định về bảo vệ môi trường. Điều này được biểu thị bằng biểu tượng thùng rác có bánh xe gạch chéo được đặt trên thiết bị.

Mục đích sử dụng

Dụng cụ này thích hợp cho sử dụng thương mại, ví dụ như trong khách sạn, trường học, bệnh viện, nhà máy, cửa hàng, văn phòng và các cơ sở cho thuê.

DVC860L

Dụng cụ này được sử dụng để hút cả bụi khô và bụi ướt.

DVC861L

Dụng cụ này chỉ được dùng để gom bụi khô.

Nguồn cấp điện

Dụng cụ này chỉ được nối với nguồn cấp điện có điện áp giống như đã chỉ ra trên biển tên và chỉ có thể được vận hành trên nguồn điện AC đơn pha. Chúng được cách điện hai lớp và do đó cũng có thể được sử dụng từ các ổ cắm điện không có dây tiếp đất.

Cảnh báo an toàn cho máy hút bụi cầm tay hoạt động bằng điện và pin

⚠ CẢNH BÁO: LƯU Ý ĐỌC KỸ tất cả các cảnh báo an toàn và các hướng dẫn **TRƯỚC KHI SỬ DỤNG**. Việc không tuân theo các cảnh báo và hướng dẫn có thể dẫn đến điện giật, hỏa hoạn và/hoặc thương tích nghiêm trọng.

- 1. Trước khi sử dụng, đảm bảo rằng máy hút bụi này phải do người đã được hướng dẫn đầy đủ về cách dùng máy hút bụi này sử dụng.**
- 2. Trước khi sử dụng, nên cung cấp thông tin, hướng dẫn và đào tạo cho người vận hành để sử dụng máy và cho biết các chất tương tự mà máy sẽ sử dụng, bao gồm cả phương pháp an toàn để loại bỏ và xử lý vật liệu thu thập được.**
- 3. Nếu bọt/chất lỏng bị rò rỉ ra ngoài, tắt máy ngay lập tức.**
- 4. Làm sạch thiết bị giới hạn mực nước thường xuyên và kiểm tra xem có dấu hiệu hư hỏng không.**
- 5. Không vận hành máy hút bụi khi không có bộ lọc. Thay thế bộ lọc bị hỏng ngay lập tức.**
- 6. SỬ DỤNG DÂY ĐIỆN NỐI DÀI.** Khi sử dụng dây điện nối dài do khoảng cách đến nguồn điện đủ dài nhưng không quá dài, nếu không hiệu suất của máy hút bụi sẽ bị ảnh hưởng không tốt. Khi vận hành dụng cụ ngoài trời, hãy sử dụng dây nối dài phù hợp cho việc sử dụng ngoài trời.
- 7. CẢNH BÁO ĐIỆN ÁP:** Trước khi kết nối máy hút bụi vào một nguồn điện (đầu cắm điện, ổ cắm điện, v.v...) hãy đảm bảo điện áp được cấp giống như quy định trên bảng tên của máy hút bụi. Nguồn điện có điện áp lớn hơn quy định cho máy hút bụi có thể gây **CHẤN THƯƠNG NGHIÊM TRỌNG** cho người vận hành cũng gây hư hỏng cho máy hút bụi. Nếu có nghi ngờ, **KHÔNG CẮM MÁY HÚT BỤI VÀO Ổ ĐIỆN**. Sử dụng một nguồn điện có điện áp thấp hơn so quy định trên bảng tên sẽ gây hư hỏng cho động cơ.
- 8. TRÁNH VÔ TÌNH KHỞI ĐỘNG MÁY.** Đảm bảo đã **TẮT** công tắc khi cắm điện vào.
- 9. Không cố hút các vật liệu dễ cháy, pháo hoa, thuốc lá đang cháy, tro nóng, mặt kim loại nóng, các vật liệu sắc nhọn như dao cạo, kim, thủy tinh vỡ hoặc những vật tương tự.**
- 10. KHÔNG BAO GIỜ SỬ DỤNG MÁY HÚT BỤI TRONG KHU VỰC GẦN XĂNG DẦU, KHÍ GAS, SƠN, KEO DÁN HOẶC CÁC CHẤT CHẤY NÓ MẠNH.** Công tắc phát ra tia lửa khi **BẬT** và **TẮT**. Và vành góp điện động cơ cũng bị tương tự trong quá trình vận hành. Có thể gây ra cháy nổ nguy hiểm.
- 11. Không bao giờ hút các vật liệu độc hại, gây ung thư, dễ bắt lửa hoặc các vật liệu nguy hiểm khác như amiăng, thạch tín, bari, berili, chì, thuốc trừ sâu, hoặc các vật liệu nguy hại cho sức khỏe khác.**

12. Luôn đặt máy hút bụi trên một bề mặt phẳng nằm ngang để tránh rơi ngã hoặc xô dịch ngoài ý muốn.
13. Không sử dụng máy hút bụi ngoài trời khi đang mưa.
14. Máy này không được sử dụng ngoài trời với nhiệt độ thấp đối với nước Phần Lan.
15. Không sử dụng gần với nguồn nhiệt (bếp, v.v...).
16. Nếu khí xả trả ngược vào phòng, cần phải cung cấp tốc độ thay đổi không khí trong phòng thích hợp. Cần tham khảo các quy định của Quốc gia.
17. **BẢO VỆ CHỐNG ĐIỆN GIẬT.** Tránh không để cơ thể tiếp xúc với các bề mặt nối đất. Ví dụ; ống, lò sưởi, bếp nấu, vỏ tủ lạnh.
18. Không được chặn các lỗ thông hơi làm mát. Các lỗ thông hơi này cho phép làm mát động cơ. Cần thận trọng làm tắc nghẽn nếu không động cơ sẽ cháy hỏng do thiếu thông gió.
19. Luôn giữ thẳng bằng tốt và có chỗ để chân phù hợp.
20. **KHÔNG SỬ DỤNG DÂY CẮM ĐIỆN SAI MỤC ĐÍCH.** Không bao giờ cắm máy hút bụi bằng dây điện hoặc giắt mạnh dây để ngắt kết nối khỏi ổ cắm điện. Giữ dây điện cách xa nguồn nhiệt, dầu mỡ và các cạnh mép sắc nhọn. Kiểm tra dây điện của máy hút bụi thường xuyên và nếu bị hư hỏng chúng phải được cơ sở bảo trì được ủy quyền sửa chữa ngay. Kiểm tra dây điện nối dài định kỳ và thay thế nếu bị hư hỏng.
21. Không gấp, kéo hoặc dẫm lên ống hút.
22. Dừng máy hút bụi ngay lập tức nếu bạn nhận thấy hiệu suất hoạt động của máy kém hoặc bất cứ điều gì bất thường trong khi vận hành.
23. **NGẮT KẾT NỐI MÁY HÚT BỤI.** Khi không sử dụng, trước khi bảo trì, và khi thay đổi các phụ kiện.
24. Làm sạch và bảo trì máy hút bụi ngay sau mỗi lần sử dụng để giữ máy trong điều kiện vận hành tốt nhất.
25. **BẢO DƯỠNG MÁY HÚT BỤI CẦN THẬN.** Giữ máy hút bụi sạch sẽ để máy hoạt động tốt và an toàn hơn. Tuân theo các hướng dẫn dành cho việc thay phụ tùng. Giữ tay cầm khô, sạch, không dính dầu và mỡ.
26. **KIỂM TRA CÁC BỘ PHẬN BỊ HƯ HỎNG.** Trước khi sử dụng tiếp máy hút bụi, cần phải kiểm tra kỹ lưỡng bộ phận bảo vệ hoặc bộ phận khác bị hư hỏng để xác định rằng máy sẽ vận hành bình thường và thực hiện đúng chức năng như được thiết kế. Kiểm tra cân chỉnh các bộ phận chuyển động, bó kẹp của các bộ phận chuyển động, chỗ nứt vỡ các bộ phận, chỗ gắn và bất cứ tình trạng nào khác có thể ảnh hưởng đến việc vận hành. Bộ phận bảo vệ hoặc bộ phận nào khác bị hư hỏng cần phải được sửa chữa đúng cách hoặc thay thế bởi trung tâm bảo trì được ủy quyền trừ khi có chỉ dẫn khác trong hướng dẫn sử dụng này. Hãy để trung tâm dịch vụ được ủy quyền thay thế các công tắc bị hỏng. Không sử dụng máy hút bụi nếu công tắc không bật và tắt được máy.
27. Đối với bảo dưỡng dành cho người dùng, máy phải được tháo dỡ, làm sạch và bảo dưỡng trong chừng mực hợp lý có thể thực hiện được, mà không gây rủi ro cho nhân viên bảo trì và những người khác.
28. Máy phải được kiểm tra kỹ thuật bởi nhà sản xuất, hoặc người đã được hướng dẫn, ít nhất là hàng năm, bao gồm, ví dụ, kiểm tra hư hỏng của các bộ lọc, độ kín khí của máy và cơ chế điều khiển đúng chức năng.
29. Khi thực hiện các hoạt động bảo hành hoặc sửa chữa, cần phải tháo bỏ tất cả các vật bị nhiễm bẩn mà không thể tẩy sạch một cách ưng ý; các vật như vậy khi tháo bỏ phải đựng trong túi chống thấm theo môi quy định hiện hành về việc xử lý chất thải đó.
30. **CÁC BỘ PHẬN THAY THẾ.** Khi bảo trì, chỉ sử dụng các bộ phận thay thế giống nhau.
31. **CẮT MÁY HÚT BỤI KHI KHÔNG SỬ DỤNG.** Khi không sử dụng, phải cắt máy hút bụi trong nhà.
32. Bộ lọc ướt và bộ phận bên trong của bình chứa chất lỏng phải được làm khô trước khi cất giữ.
33. Cắt giữ cẩn thận máy hút bụi của bạn. Xử lý mạnh tay có thể làm nứt vỡ ngay cả đối với máy hút bụi được thiết kế cứng cáp nhất.
34. Không cố làm sạch bên ngoài hoặc bên trong bằng ét xăng, dung môi hoặc hóa chất làm sạch. Điều này có thể gây nứt và làm mất màu.
35. Không sử dụng máy hút bụi trong một không gian khép kín nơi có khí dễ cháy, nổ hoặc độc hại do sơn gốc dầu, dung môi pha sơn, xăng, một số chất chống sâu mọt, v.v... gây ra, hoặc ở những khu vực có bụi dễ cháy.
36. Không để dây điện của máy hút bụi nằm trên mặt sàn sau khi bạn làm sạch máy xong. Điều này có thể dẫn đến nguy cơ vấp gây nguy hiểm hoặc làm hư hỏng máy hút bụi.
37. Không vận hành máy hút bụi này hoặc bất kỳ máy nào khi đang chịu ảnh hưởng của ma túy hoặc rượu.
38. Theo nguyên tắc cơ bản về an toàn, phải sử dụng kính bảo hộ hoặc kính an toàn có tấm chắn.
39. Sử dụng mặt nạ chống bụi trong điều kiện làm việc nhiều bụi.
40. Máy này không dành cho những người suy giảm thể chất, giác quan hoặc khả năng trí óc, hoặc thiếu kinh nghiệm và kiến thức sử dụng bao gồm cả trẻ em.
41. Trẻ em cần được giám sát để đảm bảo rằng chúng sẽ không nghịch máy hút bụi.
42. Không bao giờ cầm dây điện và máy hút bụi bằng tay ướt.
43. Hết sức cẩn trọng khi làm sạch trên các bậc thang.
44. Không sử dụng máy hút bụi làm ghế ngồi hay ghế băng làm việc. Máy có thể đổ xuống và dẫn đến chấn thương cá nhân.

Sử dụng và bảo quản dụng cụ dùng pin

1. **Chỉ sạc pin lại với bộ sạc do nhà sản xuất quy định.** Bộ sạc phù hợp với một loại bộ pin này có thể gây ra nguy cơ hỏa hoạn khi được dùng cho một bộ pin khác.
2. **Chỉ sử dụng các dụng cụ máy với các bộ pin được quy định cụ thể.** Việc sử dụng bất cứ bộ pin nào khác có thể gây ra thương tích và hỏa hoạn.
3. **Khi không sử dụng bộ pin, hãy giữ tránh xa các đồ vật khác bằng kim loại, chẳng hạn như kẹp giấy, tiền xu, chìa khóa, đinh, ốc vít hoặc các vật nhỏ bằng kim loại mà có thể làm nối tắt các đầu cực pin.** Các đầu cực pin bị đoản mạch có thể gây cháy hoặc hỏa hoạn.
4. **Trong điều kiện sử dụng quá mức, pin có thể bị chập nước; hãy tránh tiếp xúc.** Nếu vô tình tiếp xúc với pin bị chập nước, hãy rửa sạch bằng nước. Nếu dung dịch từ pin tiếp xúc với mắt, cần đi khám bác sĩ thêm. Dung dịch chảy ra từ pin có thể gây rát da hoặc bỏng.
5. **Không sử dụng bộ pin hoặc dụng cụ bị hư hỏng hoặc đã bị sửa đổi.** Pin đã bị hư hỏng hoặc đã bị sửa đổi có thể hành động theo cách không thể đoán trước dẫn đến cháy, nổ hoặc nguy cơ chấn thương.
6. **Không để bộ pin hoặc dụng cụ tiếp xúc với lửa hoặc nhiệt độ quá cao.** Tiếp xúc với lửa hoặc nhiệt độ trên 130 °C có thể gây ra cháy nổ.
7. **Làm theo tất cả các hướng dẫn sạc pin và không được sạc bộ pin hoặc dụng cụ vượt giới hạn nhiệt độ quy định trong hướng dẫn.** Sạc pin không đúng hoặc ở nhiệt độ vượt giới hạn nhiệt độ có thể gây hư hỏng cho pin và làm tăng nguy cơ cháy.

LƯU GIỮ CÁC HƯỚNG DẪN NÀY.

⚠CẢNH BÁO: KHÔNG vì đã thoải mái hay quen thuộc với sản phẩm (có được do sử dụng nhiều lần) mà không tuân thủ nghiêm ngặt các quy định về an toàn dành cho sản phẩm này. **VIỆC DÙNG SAI** hoặc không tuân theo các quy định về an toàn được nêu trong tài liệu hướng dẫn này có thể dẫn đến thương tích cá nhân nghiêm trọng.

Hướng dẫn quan trọng về an toàn dành cho hộp pin

1. Trước khi sử dụng hộp pin, hãy đọc kỹ tất cả các hướng dẫn và dấu hiệu cảnh báo trên (1) bộ sạc pin, (2) pin và (3) sản phẩm sử dụng pin.
 2. Không tháo rời hoặc làm thay đổi hộp pin. Việc này có thể dẫn đến hỏa hoạn, quá nhiệt hoặc nổ.
 3. Nếu thời gian vận hành ngắn hơn quá mức, hãy ngừng vận hành ngay lập tức. Điều này có thể dẫn đến rủi ro quá nhiệt, có thể gây bỏng và thậm chí là nổ.
 4. Nếu chất điện phân rơi vào mắt, hãy rửa sạch bằng nước sạch và đến cơ sở y tế ngay lập tức. Chất này có thể khiến bạn giảm thị lực.
 5. **Không để hộp pin ở tình trạng đoản mạch:**
 - (1) Không chạm vào cực pin bằng vật liệu dẫn điện.
 - (2) Tránh cất giữ hộp pin trong hộp có các vật kim loại khác như đinh, tiền xu, v.v...
 - (3) Không được để hộp pin tiếp xúc với nước hoặc mưa.
- Đoản mạch pin có thể gây ra dòng điện lớn, quá nhiệt, có thể gây bỏng và thậm chí là hỏng hóc.
6. Không cất giữ cũng như sử dụng dụng cụ và hộp pin ở nơi nhiệt độ có thể lên tới hoặc vượt quá 50 °C (122 °F).
 7. Không đốt hộp pin ngay cả khi hộp pin đã bị hư hại nặng hoặc hư hỏng hoàn toàn. Hộp pin có thể nổ khi tiếp xúc với lửa.
 8. Không đóng đinh, cắt, nghiền nát, ném, làm rơi hộp pin hoặc va vật cứng vào hộp pin. Làm như thế có thể dẫn đến hỏa hoạn, quá nhiệt hoặc nổ.
 9. Không sử dụng pin đã hỏng.
 10. **Pin nén lithium-ion là đối tượng có yêu cầu bắt buộc theo Luật Hàng hoá Nguy hiểm.** Đối với vận tải thương mại, ví dụ như vận tải do bên thứ ba, đại lý giao nhận, thì yêu cầu đặc biệt về đóng gói và nhãn ghi phải được giám sát. Để chuẩn bị cho mặt hàng cần vận chuyển, cần phải tham khảo ý kiến chuyên gia về vật liệu nguy hiểm. Nếu được, vui lòng tuân thủ các quy định quốc gia chi tiết hơn. Buộc hoặc niêm phong các tiếp điểm mở và đóng gói pin theo cách đó để nó không thể di chuyển trong bao bì.
 11. **Khi vứt bỏ hộp pin, hãy tháo chúng khỏi dụng cụ và thải bỏ ở nơi an toàn.** Phải tuân thủ theo các quy định của địa phương liên quan đến việc thải bỏ pin.
 12. **Chỉ sử dụng pin cho các sản phẩm Makita chi định.** Lắp pin vào sản phẩm không thích hợp có thể gây ra hỏa hoạn, quá nhiệt, nổ, hoặc rò chất điện phân.
 13. **Nếu dụng cụ không được sử dụng trong một thời gian dài, cần phải tháo pin ra khỏi dụng cụ.**
 14. **Trong và sau khi sử dụng, hộp pin có thể bị nóng, có thể gây bỏng hoặc bỏng ở nhiệt độ thấp.** Chú ý xử lý hộp pin nóng.
 15. Không chạm vào điện cực của dụng cụ ngay sau khi sử dụng vì điện cực đủ nóng để gây bỏng.
 16. Không để vụn bào, bụi hoặc đất bám vào các điện cực, lỗ và rãnh của hộp pin. Việc này có thể dẫn đến hiệu suất kém hoặc hỏng hóc dụng cụ hay hộp pin.
 17. **Trừ khi dụng cụ hỗ trợ sử dụng gần đường dây điện cao thế, không sử dụng hộp pin gần đường dây điện cao thế.** Việc này có thể dẫn đến trực tiếp hoặc hỏng hóc dụng cụ hay hộp pin.
 18. **Giữ pin tránh xa trẻ em.**

LƯU GIỮ CÁC HƯỚNG DẪN NÀY.

⚠ THẬN TRỌNG: Chỉ sử dụng pin Makita chính hãng. Việc sử dụng pin không chính hãng Makita, hoặc pin đã được sửa đổi, có thể dẫn đến nổ pin gây ra cháy, thương tích và thiệt hại cá nhân. Nó cũng sẽ làm mất hiệu lực bảo hành của Makita dành cho dụng cụ của Makita và bộ sạc.

Mẹo duy trì tuổi thọ tối đa cho pin

1. **Sạc hộp pin trước khi pin bị xả điện hoàn toàn.** Luôn dừng việc vận hành dụng cụ và sạc pin khi bạn nhận thấy công suất dụng cụ bị giảm.
2. **Không được phép sạc lại một hộp pin đã được sạc đầy.** Sạc quá mức sẽ làm giảm tuổi thọ của pin.
3. **Sạc pin ở nhiệt độ phòng 10°C - 40°C.** Để cho hộp pin nóng nguội lại dần trước khi sạc pin.
4. **Khi không sử dụng hộp pin, hãy tháo hộp pin ra khỏi dụng cụ hoặc bộ sạc.**
5. **Sạc pin sáu tháng một lần nếu bạn không sử dụng dụng cụ trong một thời gian dài (hơn sáu tháng).**

MÔ TẢ CHỨC NĂNG

Sử dụng với nguồn cấp điện AC:

⚠ CẢNH BÁO:

- Trước khi cắm điện vào máy hút bụi, luôn đảm bảo rằng công tắc máy hút bụi đã được tắt. Cắm máy hút bụi mà công tắc đang bật có thể dẫn đến khởi động bất ngờ gây chấn thương cá nhân nghiêm trọng.

► **Hình1:** 1. Đầu cắm (hình dạng và chiều dài dây có thể khác nhau tùy theo từng quốc gia)

Nối đầu cắm vào nguồn điện.

► **Hình2:** 1. Đèn chỉ báo nguồn cấp điện AC

Đèn chỉ báo nguồn cấp điện AC sáng lên khi đặt công tắc chờ sang phía "I".

LƯU Ý:

- Ngay cả khi vận hành ở chế độ nguồn cấp điện DC, dụng cụ cũng sẽ tự động chuyển sang chế độ nguồn cấp điện AC khi được cắm vào.
- Nếu rút phích cắm dụng cụ trong quá trình vận hành khi đã lắp pin, máy hút bụi sẽ được chuyển sang trạng thái chờ.

Sử dụng bằng pin:

Lắp hoặc tháo hộp pin

⚠ THẬN TRỌNG:

- Luôn đảm bảo rằng đã tắt máy hút bụi, rút phích cắm và tháo hộp pin ra trước khi thực hiện việc điều chỉnh hoặc kiểm tra chức năng trên dụng cụ.
- Giữ máy hút bụi và hộp pin thật chắc khi lắp hoặc tháo hộp pin. Không giữ máy hút bụi và hộp pin thật chắc có thể làm trượt chúng khỏi tay và làm hư hỏng dụng cụ và hộp pin hoặc gây thương tích cá nhân.
- **Cẩn thận tránh kẹp ngón tay của bạn khi mở hoặc đóng nắp pin.** Nếu không, làm như vậy có thể gây ra thương tích cá nhân.

► **Hình3:** 1. Khóa 2. Nắp đẩy pin

Để lắp đặt hộp pin, trước tiên mở khóa, và mở nắp pin. Sau đó lắp hộp pin vào.

► **Hình4:** 1. Hộp pin

Đặt thẳng hàng phần chốt nhỏ ra của hộp pin vào phần rãnh nằm trên vỏ và trượt hộp pin vào vị trí. Đưa hộp pin vào cho đến khi chốt khóa vào đúng vị trí với một tiếng "cách" nhẹ. Sau đó đóng nắp đẩy pin.

Để tháo hộp pin, vừa trượt pin ra khỏi dụng cụ vừa trượt nút ở phía trước hộp pin.

CHÚ Ý:

- Tháo phích cắm của máy hút bụi ra khỏi dây điện nối dài khi sử dụng máy hút bụi bằng pin.

⚠ THẬN TRỌNG:

- Luôn lắp đặt hộp pin hết mức vào vị trí. Nếu không, hộp pin có thể vô tình rơi ra khỏi dụng cụ, gây thương tích cho bạn hoặc người khác xung quanh.
- Không được dùng sức lắp hộp pin. Nếu hộp pin không nhẹ nhàng trượt vào vị trí, có nghĩa là pin vẫn chưa được lắp đúng.

LƯU Ý:

- Máy hút bụi sẽ không hoạt động nếu chỉ có một hộp pin.

Hệ thống bảo vệ dụng cụ / pin

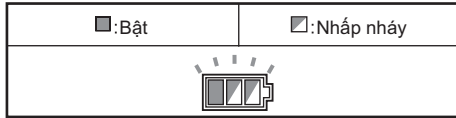
Dụng cụ này được trang bị hệ thống bảo vệ dụng cụ / pin. Hệ thống này sẽ tự động ngắt nguồn điện động cơ để kéo dài tuổi thọ dụng cụ và pin.

Dụng cụ sẽ tự động dừng vận hành khi dụng cụ hoặc pin ở một trong những trường hợp sau đây. Trong một số trường hợp, các đèn chỉ báo này sẽ sáng lên.

Bảo vệ quá tải

Nếu bị quá tải, dụng cụ sẽ tự động dừng. Trong trường hợp này, hãy tắt dụng cụ và ngừng ứng dụng làm cho dụng cụ trở nên quá tải. Sau đó bật dụng cụ lên để khởi động lại.

Bảo vệ quá nhiệt cho dụng cụ



Khi bị quá nhiệt, dụng cụ sẽ tự động dừng, và đèn chỉ báo pin sẽ nhấp nháy khoảng 60 giây. Trong tình huống này, hãy để dụng cụ nguội lại dần trước khi bật dụng cụ một lần nữa.

Bảo vệ xả điện quá mức

Khi dung lượng pin yếu, thì dụng cụ sẽ tự động dừng. Nếu sản phẩm không vận hành ngay cả khi vận hành công tắc, hãy tháo pin ra khỏi dụng cụ và sạc pin.

Chỉ báo dung lượng pin còn lại

► **Hình5:** 1. nút CHECK (KIỂM TRA)

► **Hình6**

Ấn nút check (kiểm tra) để đèn chỉ báo pin hiển thị dung lượng pin còn lại. Đèn chỉ báo pin tương ứng với từng loại pin.

Chỉ báo dung lượng pin còn lại

Trạng thái đèn chỉ báo pin	Dung lượng pin còn lại
■:Bật □:Tắt ▨:Nhấp nháy 	50% - 100%
	20% - 50%
	0% - 20%
	Sạc pin

Chỉ báo dung lượng pin còn lại

Chỉ dành cho hộp pin có đèn chỉ báo

► **Hình7:** 1. Các đèn chỉ báo 2. Nút Check (kiểm tra)

Ấn nút check (kiểm tra) trên hộp pin để chỉ báo dung lượng pin còn lại. Các đèn chỉ báo bật sáng lên trong vài giây.

Các đèn chỉ báo			Dung lượng còn lại
Bật sáng	Tắt	Nhấp nháy	
■ ■ ■ ■			75% đến 100%
■ ■ ■ □			50% đến 75%
■ ■ □ □			25% đến 50%
■ □ □ □			0% đến 25%
▨ □ □ □			Sạc pin.
■ ■ □ □		▨ □ □ □	Pin có thể đã bị hỏng.
□ □ ■ ■			

LƯU Ý: Tùy thuộc vào các điều kiện sử dụng và nhiệt độ xung quanh, việc chỉ báo có thể khác biệt một chút so với dung lượng thực sự.

LƯU Ý: Đèn chỉ báo (phía xa bên trái) đầu tiên sẽ nhấp nháy khi hệ thống bảo vệ pin hoạt động.

Hoạt động công tắc

► **Hình8:** 1. Công tắc chờ 2. Nút nguồn 3. Nút điều chỉnh lực hút

Để khởi động máy hút bụi:

1. Gạt công tắc chờ về phía "I". Máy hút bụi sẽ chuyển sang trạng thái chờ.
2. Nhấn nút nguồn.

Để chuyển máy hút bụi sang chế độ chờ, nhấn nút nguồn một lần nữa.

Để tắt máy hút bụi, đặt công tắc chờ về phía "O".

Lực hút có thể được điều chỉnh tùy theo yêu cầu công việc của bạn.

Có thể tăng lực hút bằng cách xoay núm điều chỉnh lực hút từ biểu tượng đến biểu tượng .

CHÚ Ý:

- Luôn đặt công tắc chờ ở phía "O" khi không sử dụng máy hút bụi trong thời gian dài. Máy hút bụi vẫn tiêu thụ điện năng trong trạng thái chờ.

Chế độ hút tự động ngừng hoạt động trong khi vận hành hút bụi ướt (cho kiểu máy dùng bộ lọc vải)

⚠ CẢNH BÁO:

- Không sử dụng trong thời gian dài trong khi phao đang hoạt động. Sử dụng máy hút bụi khi phao của máy đang hoạt động trong thời gian dài có thể gây ra quá nhiệt, dẫn đến việc máy hút bị biến dạng.
- Không hút bột hoặc xả phòng lồng. Hút bột hoặc xả phòng lồng có thể khiến bột thoát ra theo đường thoát khí trước khi phao hoạt động. Tiếp tục sử dụng trong điều kiện này có thể gây ra điện giật và vỡ máy hút bụi.

Chế độ hút tự động ngừng hoạt động chỉ khi sử dụng với phao và lồng phao.

Máy hút bụi có một cơ chế phao ngăn nước vào động cơ trong khi hút nhiều hơn một lượng nước nhất định. Khi thùng chứa đầy và máy hút bụi không còn hút nước, hãy tắt máy hút bụi và xả nước bình chứa.

Khóa hoặc mở khóa bánh xe

► **Hình9:** 1. Bánh xe 2. Cần chặn 3. Vị trí THẢ 4. Vị trí KHÓA

Để khóa bánh xe bằng cần chặn, gạt cần chặn xuống và bánh xe sẽ không quay nữa. Để mở bánh xe từ vị trí bị khóa, nâng cần chặn lên.

Việc khóa bánh xe sẽ tạo thuận tiện khi cất máy hút bụi, tạm ngừng công việc đang làm và giữ cho máy hút bụi đứng yên.

Để điều khiển cần chặn, di chuyển nó bằng tay.

LƯU Ý:

- Khi di chuyển máy hút bụi, hãy chắc chắn rằng bánh xe đã được mở khóa. Di chuyển máy hút bụi khi bánh xe ở vị trí bị khóa có thể gây hư hại bánh xe.

Tay xách

► **Hình10**

Khi xách máy hút bụi, xách máy bằng cách nắm tay cầm ở trên đầu. Tay cầm có thể kéo gọn vào trong đầu máy khi không sử dụng.

MÔ TẢ CÁC BỘ PHẬN

Kiểu DVC860L

(Kiểu máy sử dụng bộ lọc vải (cho bụi khô và ướt))

► **Hình11:** 1. Nắp thùng chứa 2. Phao nổi 3. Lồng phao 4. Bộ lọc vải 5. Thùng chứa

Kiểu DVC861L

(Kiểu máy sử dụng bộ lọc bụi dạng bột (cho bụi khô))

► **Hình12:** 1. Nắp thùng chứa 2. Bộ lọc dạng bột (HEPA) 3. Bộ điều tiết 4. Bộ lọc thô 5. Thùng chứa

LẮP RÁP

⚠ THẬN TRỌNG:

- Luôn bảo đảm rằng đã tắt máy hút bụi, rút phích cắm và tháo hộp pin trước khi tiến hành bất cứ công việc nào trên máy hút bụi.
- Luôn đeo mặt nạ chống bụi trong quá trình lắp ráp hoặc bảo trì.

Lắp bộ lọc dạng bột (HEPA) và bộ lọc thô (đối với bụi khô)

Phụ tùng tùy chọn cho kiểu máy sử dụng bộ lọc vải

⚠ THẬN TRỌNG:

- Không bao giờ được hút nước hay các chất lỏng khác hoặc bụi ướt khi đang sử dụng bộ lọc bụi dạng bột. Hút những thứ này có thể khiến bộ lọc bột bị vỡ.

► **Hình13:** 1. Nắp thùng chứa 2. Bộ lọc dạng bột (HEPA) 3. Bộ điều tiết 4. Bộ lọc thô 5. Thùng chứa 6. Dấu chỉ thị vị trí lắp đặt

► **Hình14:** 1. Phao nổi 2. Lồng phao

Để sử dụng bộ lọc bụi dạng bột, tháo lồng phao và phao bằng cách tháo các bu-lông.

Đặt bộ lọc thô vào thùng chứa.

Tiếp theo, gắn bộ điều tiết vào bộ lọc bụi dạng bột sau đó đặt chúng vào bộ lọc thô.

Khi lắp bộ lọc bụi dạng bột và bộ lọc thô, căn chỉnh vị trí gắn đánh dấu trên mỗi bộ lọc với vị trí gắn ở trên cùng của thùng chứa.

Cuối cùng, gắn nắp thùng chứa và khóa nó lại.

LƯU Ý:

- Trước khi sử dụng bộ lọc bụi dạng bột, hãy chắc chắn rằng bộ lọc thô và bộ điều tiết luôn được sử dụng cùng với nhau. Không được phép chỉ lắp đặt riêng bộ lọc bụi dạng bột.

Lắp đặt bộ lọc nước (cho kiểu máy sử dụng bộ lọc vải) (phụ kiện tùy chọn)

⚠ THẬN TRỌNG:

- Không bao giờ hút nước hoặc bụi ướt mà không có phao và bộ lọc vải hoặc bộ lọc nước.
- Để hút bụi ướt, hãy đảm bảo rằng lồng phao và phao đã được lắp đặt vào máy hút bụi.
- Khi lắp đặt bộ lọc nước lên thùng chứa, gắn nó chặt vào phần mở của thùng chứa sao cho móc của bộ lọc nước gắn chắc vào phần mở của thùng chứa và không có khoảng hở nào giữa bộ lọc nước và thùng chứa.

CHÚ Ý:

- Chúng tôi khuyến nghị sử dụng bộ lọc nước khi hút khối lượng nước lớn liên tục. Nếu không khả năng hút có thể bị giảm trong trường hợp sử dụng bộ lọc vải.

► **Hình15:** 1. Bộ lọc nước 2. Thùng chứa 3. Dấu chỉ thị vị trí lắp đặt

Nếu chỉ hút nước và bụi ướt, bộ lọc nước sẽ thích hợp hơn bộ lọc vải.

Khi lắp đặt bộ lọc nước, căn chỉnh đầu chỉ thị vị trí lắp đặt trên bộ lọc thẳng hàng với dấu trên thùng chứa.

Lắp đặt hộp bằng giấy (phụ kiện tùy chọn)

⚠ CẢNH BÁO:

- Khi sử dụng hộp bằng giấy, hãy sử dụng cùng cả bộ lọc vải hoặc bộ lọc thô đã được lắp đặt sẵn trên máy. Nếu không sử dụng cùng bộ lọc vải hoặc bộ lọc thô có thể gây ra tiếng ồn và nhiệt độ bất thường, dẫn đến cháy.

⚠ THẬN TRỌNG:

(Cho kiểu máy dùng bộ lọc vải)

- Không bao giờ hút nước hay các chất lỏng khác hoặc bụi ướt khi sử dụng hộp bằng giấy. Hút các vật thể này có thể khiến hộp bằng giấy bị rách.
- Trước khi sử dụng hộp bằng giấy, hãy chắc chắn rằng bộ lọc bụi dạng bột (phụ tùng tùy chọn), bộ điều tiết (phụ tùng tùy chọn) và bộ lọc thô luôn được sử dụng cùng nhau.

(Đối với kiểu máy dùng bộ lọc bụi dạng bột)

- Trước khi sử dụng hộp bằng giấy, hãy chắc chắn rằng bộ lọc bột, bộ điều tiết và bộ lọc thô luôn được sử dụng cùng nhau.

1. Tháo vòng kẹp cao su.

► **Hình16:** 1. Vòng kẹp cao su

2. Mở rộng hộp bằng giấy.

3. Xếp phần mở hộp bằng giấy khớp phần mở hút bụi của máy hút bụi.

4. Lắp bìa cứng của hộp bằng giấy vào vòng kẹp sao cho đúng với vị trí cuối cùng trên phần lõi ra của chốt.

► **Hình17:** 1. Hộp bằng giấy 2. Giá đỡ

Lắp túi polyethylene

Máy hút bụi cũng có thể được sử dụng mà không cần túi polyethylene. Tuy nhiên, sử dụng túi polyethylene sẽ giúp dễ dàng làm sạch thùng chứa mà không làm bẩn tay của bạn.

► **Hình18:** 1. Tấm đỡ 2. Túi polyethylene

Trải túi polyethylene trong thùng chứa. Lắp túi vào giữa tấm đỡ và thùng chứa, và kéo nó vào đầu vào của ống hút.

Trải túi quanh phần đầu của thùng chứa sao cho cạnh của bộ lọc thô có thể kẹp và giữ túi một cách an toàn.

LƯU Ý:

- Có thể sử dụng túi polyethylene sẵn có trên thị trường. Khuyến nghị sử dụng túi dày khoảng 0,04 mm hoặc dày hơn.
- Quá nhiều bụi sẽ dễ dàng làm rách túi, do đó, không hút nhiều bụi hơn một nửa dung tích túi.

Đổ túi polyethylene

⚠ CẢNH BÁO:

- Luôn đảm bảo rằng đã tắt máy hút bụi và rút phích cắm điện ra trước khi đổ túi polyethylene. Nếu không làm như vậy có thể gây ra giật điện và gây nguy hiểm cho người sử dụng.

⚠ THẬN TRỌNG:

- Không tác động lực lớn lên lồng phao và thùng chứa. Tác động lực lớn có thể gây ra biến dạng và hư hỏng các bộ phận.
- Mặc dù điều này phụ thuộc vào khối lượng bụi được hút trong bình chứa hãy làm sạch thùng chứa ít nhất một ngày một lần. Nếu không, lực hút sẽ bị yếu đi và động cơ có thể bị hỏng.
- Không nắm vào móc treo khi làm sạch thùng chứa. Nắm vào móc treo có thể gây vỡ móc.

Tháo móc và nâng nắp thùng chứa.

► **Hình19**

Lắc bụi từ bộ lọc vải / bộ lọc bụi dạng bột sau đó lấy túi polyethylene ra khỏi thùng chứa.

LƯU Ý:

- Lấy cẩn thận túi polyethylene ra khỏi thùng chứa để túi polyethylene không bị móc vào và rách bởi phần lõi ra trong thùng chứa khi làm sạch thùng.
- Đổ túi polyethylene trước khi nó đầy. Quá nhiều bụi trong thùng chứa có thể làm rách túi polyethylene.

Lắp hộp công cụ

► **Hình20**

1. Mở khóa nắp pin và mở nắp pin.

2. Đặt các thanh khớp trên hộp công cụ dọc theo đường rãnh trên vỏ máy.

3. Đóng nắp pin và khóa lại.

► **Hình21**

Hộp công cụ tiện lợi cho việc mang theo pin, ổ cắm kéo dài, ống hoặc vòng bít.

Nối ống dẫn

⚠ THẬN TRỌNG:

- Không bao giờ tác động lực lên ống dẫn để uốn cong hoặc làm bẹp nó. Không bao giờ di chuyển máy hút bụi bằng ống dẫn. Uốn cong, làm bẹp và kéo ống dẫn có thể làm vỡ hoặc gây biến dạng ống dẫn.
- Khi hút rác lớn như vụn máy bào bàn, bụi xi măng hay các rác tương tự ngoài các rác nhỏ, hãy sử dụng ống có đường kính trong 38 mm (phụ tùng tùy chọn). Sử dụng ống dẫn có đường kính trong 28 mm (phụ tùng tùy chọn) có thể dẫn đến việc làm tắc và hư hỏng ống.

► **Hình22**

Lắp ống vào cổng nối với thùng chứa và vặn theo chiều kim đồng hồ cho đến khi nó được khóa lại.

BẢO TRÌ

⚠ THẬN TRỌNG:

- Luôn đảm bảo rằng dụng cụ đã được tắt, rút phích cắm và hộp pin đã được tháo ra trước khi cố gắng thực hiện việc kiểm tra hay bảo dưỡng.

Cắt giữ dây cấp nguồn

► Hình23

Bạn có thể cuộn dây cung cấp điện xung quanh hộp dụng cụ.

Cắt giữ phụ tùng

► Hình24

► Hình25

Các ống có thể được đặt vào ngăn chứa ống khi không sử dụng máy hút bụi trong thời gian ngắn.

► Hình26

Ống dẫn có thể được lưu giữ quanh công cụ bằng cách nối các đầu lại.

Vệ sinh

⚠ THẬN TRỌNG:

- Không bao giờ dùng xăng, ét xăng, dung môi, cồn hoặc hóa chất tương tự. Có thể xảy ra hiện tượng mất màu, biến dạng hoặc nứt vỡ.

Làm sạch bộ lọc vải

Chỉ dành cho kiểu máy dùng bộ lọc vải

► Hình27

Bộ lọc vải bị tắc sẽ dẫn đến hiệu suất hút kém.

Làm sạch bộ lọc vải theo từng lần sử dụng.

Đề loại bỏ bụi hoặc các hạt mắc bên trong bộ lọc vải, lắc phía đáy khung nhanh và nhiều lần.

Làm sạch bộ lọc dạng bột (HEPA) và bộ lọc thô

Chỉ dành cho kiểu máy dùng bộ lọc bụi dạng bột

Bộ lọc bụi dạng bột, bộ lọc thô và bộ điều tiết bị tắc có thể làm giảm hiệu suất hút.

Làm sạch các bộ lọc và bộ điều tiết theo thời gian.

Đề loại bỏ bụi hoặc các hạt mắc bên trong bộ lọc, lắc phía đáy khung nhanh và nhiều lần.

► Hình28

Thỉnh thoảng rửa bộ lọc bụi dạng bột trong nước, giữ và làm khô hoàn toàn trong bóng râm trước khi sử dụng. Không bao giờ rửa bộ lọc bằng máy giặt.

LƯU Ý:

- Không chà và cào xước bộ lọc bụi dạng bột, bộ lọc thô, hoặc bộ điều tiết với các vật cứng như bàn chải nhỏ và bàn chải lớn.
- Các bộ lọc sẽ mòn dần theo thời gian. Khuyến nghị nên có phụ tùng thay thế cho chúng.

Để đảm bảo AN TOÀN và TIN CẬY của sản phẩm, việc sửa chữa hoặc bất cứ thao tác bảo dưỡng, điều chỉnh nào đều phải được thực hiện bởi các Trung tâm dịch vụ được ủy quyền của Makita, luôn sử dụng các phụ tùng thay thế của Makita.

PHỤ KIỆN TỰY CHỌN

⚠ THẬN TRỌNG:

- Các phụ kiện hoặc phụ tùng gắn thêm này được khuyến cáo sử dụng với dụng cụ Makita của bạn theo như quy định trong hướng dẫn này. Việc sử dụng bất cứ phụ kiện hoặc phụ tùng gắn thêm nào khác đều có thể gây ra rủi ro thương tích cho người. Chỉ sử dụng phụ kiện hoặc phụ tùng gắn thêm cho mục đích đã quy định sẵn của chúng.

Nếu bạn cần bất kỳ sự hỗ trợ nào để biết thêm chi tiết về các phụ tùng này, hãy hỏi Trung tâm Dịch vụ của Makita tại địa phương của bạn.

- Pin và bộ sạc chính hãng của Makita
- Ống dẫn
- Ống hơi trước (22, 24, 38)
- Ống thẳng
- Vòi hút góc
- Bàn chải tròn
- Bộ lọc dạng bột, HEPA (cho bụi khô)
- Bộ điều tiết
- Bộ lọc thô
- Phụ Kiện Đầu Hút
- Ống cong
- Túi polyethylene
- Bộ Lọc Nước (tùy chọn cho kiểu máy dùng bộ lọc)
- Hộp bằng giấy
- Bộ khung đỡ

LƯU Ý:

- Một số mục trong danh sách có thể được bao gồm trong gói dụng cụ làm phụ kiện tiêu chuẩn. Các mục này ở mỗi quốc gia có thể khác nhau.

คำเตือน

- เครื่องนี้ไม่ได้ออกแบบมาเพื่อให้ใช้งานโดยบุคคล (รวมถึงเด็ก) ที่มีความบกพร่องทางร่างกาย ประสาทสัมผัส หรือจิตใจ หรือขาดประสบการณ์และความรู้
- เด็กควรอยู่ในความดูแลเพื่อให้มั่นใจว่าจะไม่มาเล่นที่ตู้ฝุ่น
- หากสายไฟชำรุดเสียหาย ให้เปลี่ยนสายไฟที่ศูนย์บริการที่ได้รับบริการรับรอง
- โปรดอ้างอิงบท “ข้อมูลจำเพาะ” สำหรับอ้างอิงประเภทแบตเตอรี่
- โปรดอ้างอิงส่วน “การติดตั้งหรือการถอดกลับแบตเตอรี่” สำหรับวิธีถอดหรือติดตั้งแบตเตอรี่
- เมื่อกำจัดถั่วแบตเตอรี่ ให้ถอดถั่วแบตเตอรี่ออกจากเครื่องมือและกำจัดในสถานที่ที่ปลอดภัย ปฏิบัติตามข้อบังคับเกี่ยวกับการกำจัดแบตเตอรี่ที่บังคับใช้ในท้องถิ่น
- หากไม่ใช้เครื่องมือเป็นระยะเวลานาน จะต้องถอดแบตเตอรี่ออกจากเครื่องมือ
- อย่าลืมหักปลั๊กแบตเตอรี่
- โปรดอ้างอิงบท “การบำรุงรักษา” สำหรับรายละเอียดข้อควรระวังในระหว่างการซ่อมบำรุง

ข้อมูลจำเพาะ

รุ่น		DVC860L	DVC861L
ประเภทของตัวกรองมาตรฐาน		ตัวกรองผ้า (สำหรับฝุ่นชนิดแห้งและเปียก)	ตัวกรองผง (สำหรับฝุ่นชนิดแห้ง)
ปริมาตรการไหล (ลม)	การใช้งานกับไฟฟ้ากระแสตรง (ด้วย BL1830, ท่อ Ø38 mm x 2.5 m)	2.1 m ³ /min	
	การใช้งานกับไฟฟ้ากระแสสลับ (ด้วยท่อ Ø38 mm x 2.5 m)	3.6 m ³ /min	
สูญญากาศ	การใช้งานกับไฟฟ้ากระแสตรง (ด้วย BL1830, ท่อ Ø38 mm x 2.5 m)	90 hPa	
	การใช้งานกับไฟฟ้ากระแสสลับ (ด้วยท่อ Ø38 mm x 2.5 m)	240 hPa	
ความจุที่สามารถเก็บได้	ฝุ่น	8 L	
	น้ำ	6 L	-
ขนาด (ยาว x กว้าง x สูง)		366 mm x 334 mm x 368 mm	
แรงดันไฟฟ้าในการใช้ไฟฟ้ากระแสสลับ		ขึ้นอยู่กับแต่ละประเทศ โปรดดูรายละเอียดในแผ่นป้าย	
แรงดันไฟฟ้าที่กำหนด (การทำงานโดยใช้แบตเตอรี่)		กระแสตรง 36 V	
น้ำหนักสุทธิ		8.6 - 9.2 kg	9.3 - 9.9 kg
ระดับการป้องกัน		IPX4	
มาตรฐานความปลอดภัย		II/II	

- เนื่องจากการค้นคว้าวิจัยและพัฒนาอย่างต่อเนื่อง ข้อมูลจำเพาะในเอกสารฉบับนี้อาจเปลี่ยนแปลงได้โดยไม่ต้องแจ้งให้ทราบล่วงหน้า
- ข้อมูลจำเพาะและตลับแบตเตอรี่อาจแตกต่างกันไปในแต่ละประเทศ
- น้ำหนักไม่รวมอุปกรณ์เสริมยกเว้นตลับแบตเตอรี่ น้ำหนักของเครื่องและตลับแบตเตอรี่รวมกันที่น้อยที่สุดและมากที่สุดแสดงอยู่ในตาราง
- สำหรับฝุ่นชนิดเปียก ต้องใช้ลูกกลอยและตัวกรองน้ำ หรือตัวกรองผ้า

ตลับแบตเตอรี่และเครื่องชาร์จที่ใช้ได้







ตลับแบตเตอรี่	BL1815N / BL1820B / BL1830B / BL1840B / BL1850B / BL1860B
เครื่องชาร์จ	DC18RC / DC18RD / DC18RE / DC18SD / DC18SE / DC18SF / DC18SH

- ตลับแบตเตอรี่และเครื่องชาร์จบางรายการที่แสดงอยู่ด้านบนอาจไม่มีวางจำหน่ายขึ้นอยู่กับภูมิภาคที่คุณอาศัยอยู่

คำเตือน: ใช้ตลับแบตเตอรี่และเครื่องชาร์จที่ระบุไว้ข้างบนเท่านั้น การใช้ตลับแบตเตอรี่และเครื่องชาร์จประเภทอื่นอาจก่อให้เกิดความเสี่ยงที่จะได้รับบาดเจ็บและ/หรือเกิดไฟไหม้

สัญลักษณ์

ต่อไปนี้เป็นสัญลักษณ์ที่อาจใช้สำหรับอุปกรณ์ โปรดศึกษาความหมายของสัญลักษณ์ให้เข้าใจก่อนการใช้งาน

-  อ่านคู่มือการใช้งาน
-  ใช้ความระมัดระวังและความสนใจเป็นพิเศษ
-  คำเตือน: เครื่องดูดฝุ่นอาจมีฝุ่นชนิดอันตราย
-  อย่ายื่นบนเครื่องดูดฝุ่นโดยเด็ดขาด
-  ฝุ่นประเภท L (เบา) เครื่องดูดฝุ่นสามารถดูดฝุ่นประเภท L ได้ กรุณาปฏิบัติตามข้อบังคับเกี่ยวกับฝุ่นและอาชีวอนามัยและความปลอดภัยของประเทศคุณ
-  ฉนวนสองชั้น



สำหรับประเทศในสหภาพยุโรปเท่านั้น เนื่องจากในอุปกรณ์มีส่วนประกอบอันตราย ขยะจำพวกอุปกรณ์ไฟฟ้าและอิเล็กทรอนิกส์ แบตเตอรี่ และหม้อแบตเตอรี่จึงอาจส่งผลกระทบต่อสิ่งแวดล้อมและสุขภาพของมนุษย์ในเชิงลบ

อย่าทิ้งเครื่องใช้ไฟฟ้าและอิเล็กทรอนิกส์ หรือแบตเตอรี่ร่วมกับวัสดุเหลือทิ้งในครัวเรือน!

เพื่อให้เป็นไปตามกฎระเบียบของยุโรปว่าด้วยขยะจำพวกอุปกรณ์ไฟฟ้าและอิเล็กทรอนิกส์ และขยะสะสมไฟฟ้าและแบตเตอรี่ รวมถึงการบังคับใช้ตามกฎหมายภายในประเทศ ควรมีการจัดเก็บขยะจำพวกอุปกรณ์ไฟฟ้า แบตเตอรี่ และหม้อสะสมไฟฟ้าแยกต่างหากและส่งไปยังจุดรับขยะต่างหากในเขตเทศบาลซึ่งมีการดำเนินการตามระเบียบว่าด้วยการดูแลสิ่งแวดล้อม

โดยระบุด้วยสัญลักษณ์เส้นคาดขวางรูปถังขยะแบบมีล้อไว้บนอุปกรณ์

จุดประสงค์การใช้งาน

เครื่องมือนี้เหมาะสำหรับการใช้งานเพื่อการพาณิชย์ เช่น ในโรงแรม โรงเรียน โรงพยาบาล โรงงาน ร้านค้า สำนักงาน และธุรกิจให้เช่าต่างๆ

DVC860L

เครื่องมือนี้ใช้สำหรับตัดฝุ่นทั้งชนิดแห้งและเปียก

DVC861L

เครื่องมือนี้ใช้สำหรับตัดฝุ่นชนิดแห้งเท่านั้น

แหล่งจ่ายไฟ

ควรเชื่อมต่อเครื่องมือกับแหล่งจ่ายไฟที่มีแรงดันไฟฟ้าตามที่ระบุไว้ในป้ายข้อมูลของเครื่องมือ และจะต้องใช้ไฟฟ้ากระแสสลับแบบเฟสเดียวเท่านั้น อุปกรณ์นี้ได้รับการคุ้มครองสองชั้นและสามารถใช้กับปลั๊กไฟที่ไม่มีสายดินได้

คำเตือนด้านความปลอดภัยของเครื่องดูดฝุ่นมีสายและไร้สาย

คำเตือน: ข้อควรจำ โปรดอ่านคำเตือนด้านความปลอดภัยและคำแนะนำทั้งหมดอย่างละเอียดก่อนใช้งาน การไม่ปฏิบัติตามคำเตือนและคำแนะนำดังกล่าวอาจส่งผลให้ไฟฟ้าช็อต ไฟไหม้ และ/หรือได้รับบาดเจ็บร้ายแรง

- ก่อนใช้งาน ตรวจสอบให้แน่ใจว่าเครื่องดูดฝุ่นนี้จะถูกใช้งานโดยผู้ที่ได้รับการฝึกใช้เครื่องดูดฝุ่นนี้มาอย่างเพียงพอ
- ก่อนใช้ ผู้ปฏิบัติงานควรได้รับข้อมูล คำแนะนำ และการฝึกอบรมการใช้เครื่องและวัสดุที่สามารถใช้เครื่องนี้ได้ รวมถึงวิธีการถอดชิ้นส่วนและการทิ้งวัสดุที่ถูกดูดอย่างปลอดภัย
- หากมีไฟไหม้/ชงเพลิงไหลออกมา ให้ปิดสวิตช์ทันที
- ทำความเข้าใจอุปกรณ์จำกัดระดับน้ำเป็นประจำ และตรวจสอบสัญญาณความเป็นอันตราย
- อย่าใช้งานเครื่องดูดฝุ่นโดยไม่ติดตั้งกรอง เปลี่ยนตัวกรองที่ชำรุดทันที
- การใช้สายต่อพ่วง เมื่อใช้สายต่อพ่วงเนื่องจากแหล่งพลังงานอยู่ห่างจากเครื่องดูดฝุ่น ให้พยายามใช้สายไฟที่มีความหนาเพียงพอแต่ไม่ควรยาวจนเกินไป ไม่เช่นนั้นอาจส่งผลเสียต่อประสิทธิภาพการทำงานของเครื่องดูดฝุ่นได้ สำหรับการใช้งานนอกอาคารให้ใช้สายต่อพ่วงที่เหมาะสมสำหรับการใช้งานนอกอาคาร
- คำเตือนเกี่ยวกับแรงดันไฟฟ้า: ก่อนเชื่อมต่อเครื่องดูดฝุ่นกับแหล่งพลังงาน (ตัวรับ ช้องเสียบ ฯลฯ) ตรวจสอบให้แน่ใจว่าแรงดันไฟฟ้าที่ใช้เท่ากับแรงดันไฟฟ้าที่ระบุบนป้ายข้อมูลของเครื่องดูดฝุ่น แหล่งพลังงานที่มีแรงดันไฟฟ้าสูงกว่าที่ระบุไว้ใช้สำหรับเครื่องดูดฝุ่นนี้อาจส่งผลให้ผู้ใช้งานได้รับบาดเจ็บสาหัส รวมถึงทำให้เครื่องดูดฝุ่นเสียหายได้ หากไม่แน่ใจ อย่าเสียบปลั๊กเครื่องดูดฝุ่น การใช้แหล่งพลังงานที่มีแรงดันไฟฟ้าน้อยกว่าที่ระบุไว้ที่ป้ายข้อมูลของเครื่องมือนี้จะเพิ่มอันตรายต่อมอเตอร์
- หลีกเลี่ยงไม่ให้เปิดใช้งานโดยไม่ตั้งใจ ตรวจสอบให้แน่ใจว่าสวิตช์ปิดอยู่เมื่อเสียบปลั๊ก
- อย่าพยายามดูดวัสดุไวไฟ ดอกไม้ไฟ บุหรี่ที่จุดไฟอยู่ ชี้อ่างร้อน เศษโลหะร้อน วัสดุมีคม เช่น มีดโกน เข็ม แก้วแตก หรือสิ่งที่คล้ายกันนี้
- ห้ามใช้งานเครื่องดูดฝุ่นในบริเวณที่ใกล้กับแก๊สโซลีน แก๊ส สี ทาว หรือวัตถุอื่นที่มีความเสี่ยงจะระเบิดสูง เนื่องจากสวิตช์จะเกิดประกายไฟขณะเปิดและปิด เช่นเดียวกับกับคอมมิวเตเตอร์ของมอเตอร์ในระหว่างการใช้งาน ซึ่งอาจส่งผลให้เกิดการระเบิดที่เป็นอันตรายได้
- ห้ามดูดวัสดุเป็นพิษ วัสดุก่อมะเร็ง วัสดุติดไฟได้ หรือวัสดุอื่นๆ ที่เป็นอันตราย เช่น แร่ใยหิน สารหนู แบเรียม เบริลเลียม ตะกั่ว ยาฆ่าแมลง หรือวัสดุอื่นๆ ที่เป็นอันตรายต่อสุขภาพ
- วางเครื่องดูดฝุ่นบนพื้นผิวส่วนเรียบเสมอเพื่อป้องกันไม่ให้ตกหรือเคลื่อนที่โดยไม่ตั้งใจ
- ห้ามใช้งานเครื่องดูดฝุ่นนอกอาคารในขณะที่ฝนตก
- สำหรับฟินแลนด์ เครื่องนี้ไม่สามารถใช้งานนอกบ้านในอุณหภูมิต่ำได้
- อย่าใช้งานใกล้กับแหล่งความร้อน (เตาไฟ ฯลฯ)
- หากไอเสียบกลับเข้ามาในห้อง จำเป็นต้องใช้อัตราการเปลี่ยนแปลงลมที่เหมาะสมในห้อง โปรดอ้างอิงระเบียบที่บังคับใช้ในประเทศ
- ป้องกันการเกิดไฟฟ้าช็อต โดยป้องกันร่างกายไม่ให้สัมผัสกับพื้นผิวที่มีการเชื่อมต่อสายดิน ตัวอย่างเช่น ท่อ เครื่องนำความร้อน หมอน้ำ ผงนึ่งกันตู้เย็น
- อย่าปิดกั้นช่องระบายความร้อน ช่องระบายเหล่านี้ช่วยทำให้มอเตอร์เย็นลง จึงควรระมัดระวังเพื่อหลีกเลี่ยงการปิดกั้นช่องดังกล่าว ไม่เช่นนั้นมอเตอร์อาจไหม้เนื่องจากการระบายอากาศไม่เพียงพอ
- รักษาทำยีนและความสมดุลที่เหมาะสมตลอดเวลา

20. อย่าใช้สายไฟผิดวัตถุประสงค์ ห้ามถือเครื่องดูดฝุ่นด้วยสายไฟหรือถอดสายไฟจากเต้ารับโดยการกระชาก ระวังสายไฟให้ห่างจากความร้อน น้ำมัน และขอบที่มีความแหลมคม ตรวจสอบสายไฟของเครื่องดูดฝุ่นเป็นระยะ และหากชำรุด ให้ส่งซ่อมที่ศูนย์บริการที่ได้รับบริการรับรอง ตรวจสอบสายต่อพ่วงเป็นระยะ และเปลี่ยนใหม่หากชำรุด
21. อย่าพับ ดึง หรือเหยียบบนท่อ
22. หยุดเครื่องดูดฝุ่นทันที หากคุณสังเกตเห็นสภาพการทำงานของเครื่องลดลงหรือมีความผิดปกติใดๆ ระหว่างการปฏิบัติงาน
23. ถอดปลั๊กเครื่องดูดฝุ่น เมื่อไม่ได้ใช้งาน ก่อนการบำรุงรักษา และเมื่อเปลี่ยนอุปกรณ์เสริมต่างๆ
24. ทำความสะอาดและบำรุงรักษาเครื่องดูดฝุ่นทันทีหลังการใช้แต่ละครั้งเพื่อรักษาสภาพการทำงานของเครื่องที่ดีที่สุด
25. ดูแลรักษาเครื่องดูดฝุ่นด้วยความใส่ใจ โดยดูแลให้เครื่องดูดฝุ่นสะอาดอยู่เสมอเพื่อประสิทธิภาพการทำงานที่ดีและปลอดภัยยิ่งขึ้น ปฏิบัติตามคำแนะนำสำหรับการเปลี่ยนอุปกรณ์เสริม ดูแลเมื่อจับให้ห่างสะอาด และไม่มีน้ำมันและจาระบีเปื้อน
26. ตรวจสอบส่วนที่เสียหาย ก่อนใช้งานเครื่องดูดฝุ่นในครั้งต่อไป ควรตรวจสอบที่ป้องกันหรือชิ้นส่วนอื่นๆ ที่ชำรุดอย่างละเอียดเพื่อให้แน่ใจว่าส่วนต่างๆ จะทำงานได้อย่างเหมาะสมและทำงานได้ตามฟังก์ชันที่ระบุไว้ ตรวจสอบการวางแนวของชิ้นส่วนเคลื่อนที่ การติดขัดของชิ้นส่วนเคลื่อนที่ ความเสียหายของชิ้นส่วน การติดตั้ง และสภาพอื่นๆ ที่อาจส่งผลกระทบต่อการทำงานของเครื่อง ควรนำที่ป้องกันหรือชิ้นส่วนอื่นที่ชำรุดเข้ารับการซ่อมแซมหรือเปลี่ยนใหม่อย่างเหมาะสมโดยศูนย์บริการที่ได้รับการรับรองหรือที่อื่นๆ ที่ระบุไว้ในคู่มือการใช้งานนี้ ให้ศูนย์บริการที่ได้รับการรับรองเป็นผู้เปลี่ยนสวิตช์ที่ชำรุด อย่าใช้งานเครื่องดูดฝุ่นหากสวิตช์ไม่ปิดหรือเปิดอย่างเหมาะสม
27. หากผู้ใช้ต้องการทำการบำรุงรักษา ต้องถอดแยกทำความสะอาด และทำการบำรุงรักษาเครื่องเท่าที่สามารถทำได้อย่างเหมาะสม โดยไม่ก่อให้เกิดความเสี่ยงต่อพนักงานบำรุงรักษาและผู้อื่น
28. เครื่องนี้ควรได้รับการตรวจสอบทางเทคนิคอย่างน้อยปีละครั้ง โดยผู้ผลิตหรือบุคคลที่ผ่านการอบรมมาแล้ว รายการที่ตรวจสอบ เช่น การตรวจสอบความเสียหายของตัวกรอง การรั่วไหลของอากาศของเครื่อง และฟังก์ชันการทำงานของกลไกควบคุมที่เหมาะสม เป็นต้น
29. เมื่อทำการบำรุงรักษาหรือซ่อมแซม สิ่งปนเปื้อนที่ไม่สามารถทำความสะอาดได้ตามที่ต้องการทั้งหมดจะต้องถูกกำจัดทิ้ง โดยจะต้องทิ้งในถุงที่น้ำหรือก๊าซผ่านเข้าไม่ได้ตามข้อบังคับปัจจุบันว่าด้วยการกำจัดของเสียดังกล่าว
30. อะไหล่ทดแทน เมื่อบำรุงรักษา ให้ใช้อะไหล่ทดแทนที่เหมือนกันกับของเดิมเท่านั้น
31. การเก็บรักษาเครื่องดูดฝุ่นที่ไม่ได้ใช้งาน เมื่อไม่ได้ใช้งาน ควรเก็บเครื่องดูดฝุ่นไว้ในที่ร่ม
32. จะต้องทำให้ตัวกรองเปียกและชื้นส่วนด้านในของภาชนะใส่ของเหลวแห่งสนิทก่อนการเก็บรักษา
33. ใช้เครื่องดูดฝุ่นด้วยความระมัดระวัง การใช้เครื่องดูดฝุ่นอย่างรุนแรงอาจทำให้เครื่องดูดฝุ่นที่แม้จะผลิตขึ้นอย่างแข็งแรงที่สุดแล้วเกิดความเสียหายได้
34. อย่าพยายามทำความสะอาดพื้นผิวภายนอกและภายในของเครื่องด้วยเบนซิน ทินเนอร์ หรือสารเคมีสำหรับทำความสะอาด เนื่องจากอาจทำให้เกิดการรั่วหรือเปลี่ยนสีได้
35. อย่าใช้เครื่องดูดฝุ่นในพื้นที่ที่ปิดที่มีอะไรอยู่ที่ไวไฟ เกิดการระเบิดได้ หรือเป็นพิษซึ่งถูกปล่อยออกจากสีที่มีส่วนผสมหลักเป็นน้ำมัน ทินเนอร์ผสมสี แก๊สโซลีน หรือสารป้องกันแมลงบางชนิด ชลข หรือในบริเวณที่มีฝุ่นที่ติดไฟได้
36. อย่าวางสายไฟของเครื่องดูดฝุ่นไว้บนพื้นหลังจากเสร็จสิ้นการทำความสะอาดแล้ว เนื่องจากอาจเกิดอันตรายจากการสะดุดหรืออาจทำให้เครื่องดูดฝุ่นเสียหายได้
37. อย่าใช้งานเครื่องดูดฝุ่นหรือเครื่องมืออื่นๆ ขณะมีนเมา ยาเสพติดหรือสุรา
38. ตามกฎหมายฐานความปลอดภัย ให้ใช้แนวตักกันลมนิรภัยหรือแนวตาดานิรภัยที่มีเกราะป้องกันด้านข้าง
39. และใช้หน้ากากป้องกันฝุ่นในสภาวะการทำงานที่เต็มไปด้วยฝุ่น
40. เครื่องนี้ไม่ได้ออกแบบมาเพื่อให้ใช้งานโดยบุคคล (รวมถึงเด็ก) ที่มีความบกพร่องทางร่างกาย ประสาทสัมผัส หรือจิตใจ หรือขาดประสบการณ์และความรู้
41. เด็กควรอยู่ในความดูแลเพื่อให้มั่นใจว่าจะไม่มาเล่นที่ดูดฝุ่น
42. ห้ามใช้มือที่เปียกถือสายไฟหรือเครื่องดูดฝุ่น
43. ใช้ความระมัดระวังให้มากเมื่อทำความสะอาดบันได
44. อย่าใช้เครื่องดูดฝุ่นเป็นม้านั่งหรือม้านั่งทำงาน เนื่องจากเครื่องอาจล้มลงมาและทำให้ได้รับบาดเจ็บได้

การใช้งานและดูแลเครื่องมือที่ใช้แบตเตอรี่

1. ชาร์จไฟใหม่ด้วยเครื่องชาร์จที่ระบุโดยผู้ผลิตเท่านั้น เครื่องชาร์จที่เหมาะสมสำหรับชุดแบตเตอรี่ประเภทหนึ่ง อาจเสี่ยงที่จะเกิดไฟไหม้หากนำไปใช้กับชุดแบตเตอรี่อีกประเภทหนึ่ง
2. ใช้เครื่องมือไฟฟ้ากับชุดแบตเตอรี่ที่กำหนดมาโดยเฉพาะเท่านั้น การใช้ชุดแบตเตอรี่ประเภทอื่นอาจทำให้เสี่ยงที่จะได้รับบาดเจ็บและเกิดไฟไหม้
3. เมื่อไม่ใช้งานชุดแบตเตอรี่ ให้เก็บห่างจากวัตถุที่เป็นโลหะอื่นๆ เช่น คลิปหนีบกระดาษ เหรียญ กุญแจ กรรไกรตัดเล็บ สกรู หรือวัตถุที่เป็นโลหะขนาดเล็กอื่นๆ ที่สามารถเชื่อมต่อชั่วคราวกับอีกขั้วหนึ่งได้ การลัดวงจรขั้วแบตเตอรี่อาจทำให้ร้อนจัดหรือเกิดไฟไหม้
4. ในกรณีที่ใช้งานไม่ถูกต้อง อาจมีของเหลวไหลออกจากแบตเตอรี่ ให้หลีกเลี่ยงการสัมผัส หากสัมผัสโดนของเหลวโดยไม่ตั้งใจ ให้ล้างออกด้วยน้ำ หากของเหลวกระเด็นเข้าตา ให้รีบไปพบแพทย์ ของเหลวที่ไหลออกจากแบตเตอรี่อาจทำให้ผิวหนังระคายเคืองหรือไหม้
5. ห้ามใช้ชุดแบตเตอรี่หรือเครื่องมือที่ชำรุดหรือมีการแก้ไข แบตเตอรี่ที่เสียหายหรือมีการแก้ไขอาจทำให้เกิดสิ่งที่คาดไม่ถึงได้ เช่น ไฟไหม้ ระเบิด หรือเสียงต่อการบาดเจ็บ
6. ห้ามให้ชุดแบตเตอรี่อยู่ใกล้ไฟ หรือบริเวณที่มีอุณหภูมิสูงเกิน หากโดนไฟ หรืออุณหภูมิสูงเกิน 130 °C อาจก่อให้เกิดการระเบิดได้
7. กรุณาปฏิบัติตามคำแนะนำสำหรับการชาร์จไฟ และห้ามชาร์จแบตเตอรี่หรือเครื่องมือในบริเวณที่มีอุณหภูมินอกเหนือไปจากที่ระบุในคำแนะนำ การชาร์จไฟที่ไม่เหมาะสม หรืออุณหภูมินอกเหนือไปจากช่วงอุณหภูมิที่ระบุในคำแนะนำอาจทำให้แบตเตอรี่เสียหายและเป็นการเพิ่มความเสี่ยงในการเกิดไฟไหม้

ปฏิบัติตามคำแนะนำเหล่านี้

⚠ คำเตือน: อย่าให้ความไม่ระมัดระวังหรือความคุ้นเคยกับผลิตภัณฑ์ (จากการใช้งานซ้ำหลายครั้ง) อยู่เหนือการปฏิบัติตามกฎเกณฑ์ด้านความปลอดภัยในการใช้งานผลิตภัณฑ์อย่างเคร่งครัด การใช้งานอย่างไม่เหมาะสมหรือการไม่ปฏิบัติตามกฎเกณฑ์ด้านความปลอดภัยในคู่มือการใช้งานนี้อาจทำให้ได้รับบาดเจ็บร้ายแรง

คำแนะนำเพื่อความปลอดภัยที่สำคัญสำหรับดัลลิบแบตเตอรี่

1. ก่อนใช้งานดัลลิบแบตเตอรี่ ให้อ่านคำแนะนำและเครื่องหมายเตือนทั้งหมดบน (1) เครื่องชาร์จแบตเตอรี่ (2) แบตเตอรี่ และ (3) ตัวผลิตภัณฑ์ที่ใช้แบตเตอรี่
2. อย่าถอดแยกชิ้นส่วนหรือทำการดัดแปลงดัลลิบแบตเตอรี่ เนื่องจากอาจทำให้เกิดไฟไหม้ ความร้อนที่สูงเกินไป หรือระเบิดได้
3. หากระยะเวลาที่เครื่องทำงานสั้นเกินไป ให้หยุดใช้งานทันที เนื่องจากอาจมีความเสี่ยงที่จะร้อนจัด ไหม้หรือระเบิดได้
4. หากสารละลายอิเล็กโทรไลต์กระเด็นเข้าตา ให้ล้างออกด้วยน้ำเปล่าและรีบไปพบแพทย์ทันที เนื่องจากอาจทำให้ตาบอด
5. ห้ามลัดวงจรดัลลิบแบตเตอรี่:
 - (1) ห้ามแตะขั้วกับวัตถุที่เป็นสื่อนำไฟฟ้าใดๆ
 - (2) หลีกเลี่ยงการเก็บดัลลิบแบตเตอรี่ไว้ในภาชนะร่วมกับวัตถุที่เป็นโลหะ เช่น กรรไกรตัดเล็บ เหรียญ ฯลฯ
 - (3) อย่าให้ดัลลิบแบตเตอรี่ถูกน้ำหรือฝน แบตเตอรี่ลัดวงจรอาจทำให้เกิดการไหลของกระแสไฟฟ้า ร้อนจัด ไหม้หรือเสียหายได้
6. ห้ามเก็บและใช้เครื่องมือและดัลลิบแบตเตอรี่ไว้ในสถานที่ที่มีอุณหภูมิสูงถึงหรือเกิน 50 °C (122 °F)
7. ห้ามเผาติดแบตเตอรี่ทิ้ง แม้ว่าแบตเตอรี่จะเสียหายจนใช้การไม่ได้หรือเสื่อมสภาพแล้ว ดัลลิบแบตเตอรี่อาจจะระเบิดในกองไฟ
8. อย่าถอดตะปู ตัด บด ขว้าง หรือทำดัลลิบแบตเตอรี่หล่นพื้น หรือกระแทกดัลลิบแบตเตอรี่กับวัตถุของแข็ง การกระทำดังกล่าวอาจส่งผลให้เกิดไฟไหม้ ความร้อนที่สูงเกินไป หรือระเบิดได้
9. ห้ามใช้แบตเตอรี่ที่เสียหาย
10. แบตเตอรี่ลิเทียมไอออนที่มีมาให้ห็นั้นเป็นไปตามข้อกำหนดของ Dangerous Goods Legislation สำหรับการขนส่งเพื่อการพาณิชย์ เช่น โดยบุคคลที่สาม ตัวแทนขนส่งสินค้า จะต้องตรวจสอบข้อกำหนดพิเศษในด้านการบรรจุหีบห่อหรือการติดป้ายสินค้าในการเตรียมสินค้าที่จะขนส่ง ให้ปรึกษาผู้เชี่ยวชาญด้านวัตถุอันตราย โปรดตรวจสอบข้อกำหนดในประเทศที่อาจมีรายละเอียดอื่นๆ เพิ่มเติม ให้ติดเทปหรือปิดหน้าสัมผัสและห่อแบตเตอรี่ในลักษณะที่แบตเตอรี่จะไม่เคลื่อนที่ไปมาในหีบห่อ

- เมื่อกำจัดดัลบแบตเตอรี่ ให้ถอดดัลบแบตเตอรี่ออกจากเครื่องมือและกำจัดในสถานที่ที่ปลอดภัย ปฏิบัติตามข้อบังคับในท้องถิ่นที่เกี่ยวกับการกำจัดแบตเตอรี่
- ใช้แบตเตอรี่กับผลิตภัณฑ์ที่ระบุโดย Makita เท่านั้น การติดตั้งแบตเตอรี่ในผลิตภัณฑ์ที่ไม่ใช่ตามที่ระบุอาจทำให้เกิดไฟไหม้ ความร้อนสูง ระเบิด หรืออิเล็กทรอนิกส์รั่วไหลได้
- หากไม่ใช้เครื่องมือเป็นระยะเวลานาน จะต้องถอดแบตเตอรี่ออกจากเครื่องมือ
- ในระหว่างและหลังการใช้งาน ดัลบแบตเตอรี่อาจร้อน ซึ่งอาจลวกผิวหรือทำให้ผิวหนังไหม้ที่อุณหภูมิต่ำได้ โปรดระมัดระวังในการจัดการกับแบตเตอรี่ที่ร้อน
- อย่าสัมผัสขั้วของเครื่องมือทันทีหลังจากการใช้งาน เนื่องจากอาจมีความร้อนพอที่จะทำให้ผิวหนังไหม้ได้
- อย่าปล่อยให้เศษวัสดุ ฝุ่นผง หรือดินเข้าไปติดอยู่ในขั้ว รู และร่องของดัลบแบตเตอรี่ เนื่องจากอาจทำให้เครื่องมือหรือดัลบแบตเตอรี่มีประสิทธิภาพลดลงหรือเสียหายได้
- หากเครื่องมือไม่รองรับสายไฟแรงดันสูง อย่าใช้ดัลบแบตเตอรี่ใกล้กับสายไฟแรงดันสูง เนื่องจากเครื่องมือหรือดัลบแบตเตอรี่อาจทำงานผิดปกติหรือเสียหายได้
- เก็บแบตเตอรี่ให้ห่างจากเด็ก

ปฏิบัติตามคำแนะนำเหล่านี้

⚠ ข้อควรระวัง: ใช้แบตเตอรี่ของแท้จาก Makita เท่านั้น การใช้แบตเตอรี่ Makita ที่ไม่แท้ หรือแบตเตอรี่ที่ถูกเปลี่ยน อาจทำให้แบตเตอรี่ระเบิด ก่อให้เกิดเพลิงลุกไหม้ การบาดเจ็บ และความเสียหายได้ และจะทำให้การรับประกันของ Makita สำหรับเครื่องมือและแท่นชาร์จของ Makita เป็นโมฆะด้วย

เคล็ดลับในการรักษาอายุการใช้งานของแบตเตอรี่ให้ยาวนานที่สุด

- ชาร์จดัลบแบตเตอรี่ก่อนที่ไฟจะหมด หยุดการใช้งานแล้วชาร์จประจุไฟฟ้าใหม่ทุกครั้งเมื่อคุณรู้สึกว่าคุณปรารถนากำลังลดลง
- อย่าชาร์จดัลบแบตเตอรี่ที่ไฟเต็มแล้ว การชาร์จประจุไฟฟ้ามากเกินไปอาจจะทำให้อายุการใช้งานของดัลบแบตเตอรี่สั้นลง
- ชาร์จประจุไฟฟ้าดัลบแบตเตอรี่ในห้องที่มีอุณหภูมิระหว่าง 10 °C - 40 °C ปล่อยให้ดัลบแบตเตอรี่เย็นลงก่อนที่จะชาร์จไฟ
- เมื่อไม่ใช้ดัลบแบตเตอรี่ ให้ถอดออกจากเครื่องมือหรือเครื่องชาร์จ

- ชาร์จไฟดัลบแบตเตอรี่หากคุณไม่ต้องการใช้เป็นเวลานาน (เกินกว่าหกเดือน)

คำอธิบายการทำงาน

ใช้กับไฟฟ้ากระแสสลับ:

⚠ คำเตือน:

- ก่อนเสียบปลั๊กเครื่องดูดฝุ่น ตรวจสอบให้แน่ใจเสมอว่าสวิตช์ของเครื่องดูดฝุ่นปิดอยู่ การเสียบปลั๊กเครื่องดูดฝุ่นโดยที่สวิตช์เปิดอยู่อาจทำให้เครื่องเริ่มทำงานโดยไม่ได้ตั้งใจซึ่งส่งผลให้ได้รับบาดเจ็บสาหัสได้

► **หมายเลข 1:** 1. ปลั๊ก (รูปทรงและความยาวของสายไฟอาจแตกต่างกันไปในแต่ละประเทศ)

เชื่อมต่อกับปลั๊กเข้ากับแหล่งจ่ายไฟ

► **หมายเลข 2:** 1. ไฟบ่งชี้ไฟฟ้ากระแสสลับ

ไฟบ่งชี้ไฟฟ้ากระแสสลับจะสว่างขึ้นเมื่อตั้งคำสั่งสวิตช์เตรียมพร้อมไปทางด้าน "I"

หมายเหตุ:

- เมื่อใช้งานในโหมดไฟฟ้ากระแสตรง เครื่องมือจะเปลี่ยนเป็นโหมดไฟฟ้ากระแสสลับโดยอัตโนมัติเมื่อเสียบปลั๊ก
- หากถอดปลั๊กเครื่องมือในระหว่างที่ใช้งานอยู่โดยที่ใส่แบตเตอรี่เอาไว้ เครื่องดูดฝุ่นจะเข้าสู่สถานะเตรียมพร้อม

การใช้งานด้วยแบตเตอรี่:

การใส่หรือการถอดดัลบแบตเตอรี่

⚠ ข้อควรระวัง:

- ตรวจสอบให้แน่ใจว่าปิดสวิตช์ ถอดปลั๊ก และนำดัลบแบตเตอรี่ออกเรียบร้อยแล้วก่อนทำการปรับหรือตรวจสอบฟังก์ชันบนเครื่องมือ
- จับเครื่องดูดฝุ่นและดัลบแบตเตอรี่ให้แน่นเมื่อทำการติดตั้งหรือถอดดัลบแบตเตอรี่ หากไม่จับเครื่องดูดฝุ่นและดัลบแบตเตอรี่ให้แน่นอาจทำให้เครื่องหรือดัลบแบตเตอรี่ลื่นหลุดออกจากมือ และส่งผลให้เกิดความเสียหายกับเครื่องดูดฝุ่นและดัลบแบตเตอรี่ รวมถึงทำให้ได้รับบาดเจ็บได้
- ระวังอย่าให้หมีบนิ้วขณะเปิดหรือปิดฝาครอบแบตเตอรี่ มิฉะนั้น อาจก่อให้เกิดการบาดเจ็บได้

► **หมายเลข 3:** 1. ล็อค 2. ฝาครอบแบตเตอรี่

ปลดล๊อคและเปิดฝาครอบแบตเตอรี่เพื่อติดตั้งถลับแบตเตอรี่ จากนั้นใส่ถลับแบตเตอรี่เข้าไป

► **หมายเลข 4:** 1. ถลับแบตเตอรี่

จัดให้ลิ้นบนถลับแบตเตอรี่ตรงกับร่องในช่องใส่ แล้วเลื่อนถลับแบตเตอรี่เข้าไป ติดตั้งถลับแบตเตอรี่เข้าจนสุดจนกระทั่งได้ยินเสียงคลิกล็อกเข้าที่ จากนั้นล็อกฝาครอบแบตเตอรี่

เมื่อต้องการถอดถลับแบตเตอรี่ ให้เลื่อนปุ่มที่ด้านหน้าของถลับในขณะที่เลื่อนถลับแบตเตอรี่ออกจากเครื่องมือไปพร้อมกัน

ข้อสังเกต:

- ถอดปลั๊กของเครื่องดูดฝุ่นออกจากสายต่อฟ่วงเมื่อใช้งานเครื่องดูดฝุ่นด้วยแบตเตอรี่

⚠ ข้อควรระวัง:

- ติดตั้งถลับแบตเตอรี่เข้ากับที่จนสุดเสมอ ไม่เช่นนั้นถลับแบตเตอรี่อาจร่วงหล่นออกจากเครื่องมือ ซึ่งส่งผลให้คุณหรือคนที่อยู่ใกล้คุณได้รับบาดเจ็บได้
- อย่าฝืนติดตั้งถลับแบตเตอรี่โดยใช้แรงมากเกินไป หากถลับแบตเตอรี่ไม่เลื่อนเข้าไปโดยง่าย แสดงว่าใส่ไม่ถูกต้อง

หมายเหตุ:

- เครื่องดูดฝุ่นจะไม่ทำงานเมื่อใช้ถลับแบตเตอรี่เพียงก้อนเดียว

ระบบป้องกันเครื่องมือ / แบตเตอรี่

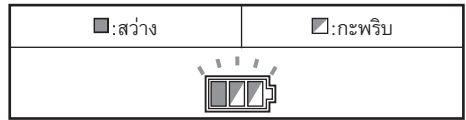
เครื่องมือนี้มระบบป้องกันเครื่องมือ/แบตเตอรี่ ระบบนี้จะตัดไฟที่ส่งไปยังมอเตอร์โดยอัตโนมัติเพื่อยืดอายุการใช้งานเครื่องมือและแบตเตอรี่

เครื่องมือจะหยุดทำงานระหว่างการใช้งานโดยอัตโนมัติ หากเครื่องมือหรือแบตเตอรี่อยู่ภายใต้สถานการณ์ต่อไปนี้ในบางกรณี ไฟแสดงสถานะจะติดขึ้น

การป้องกันการทำงานหนักเกินไป

หากเครื่องมือทำงานหนักเกินไป เครื่องมือจะหยุดโดยอัตโนมัติ ในสถานการณ์เช่นนี้ ให้ปิดเครื่องมือและหยุดการใช้ที่ทำให้เครื่องมือทำงานหนักเกินไป จากนั้นเปิดเครื่องมือเพื่อเริ่มการทำงานอีกครั้ง

การป้องกันความร้อนสูงเกินไปสำหรับเครื่องมือ



เมื่อเครื่องมือมีความร้อนสูงเกินไป เครื่องมือจะหยุดทำงานโดยอัตโนมัติและไฟแสดงสถานะแบตเตอรี่จะกะพริบประมาณ 60 วินาที ในกรณีนี้ ให้ปล่อยเครื่องมือให้เย็นลงก่อนแล้วเปิดเครื่องมืออีกครั้ง

ระบบป้องกันแบตเตอรี่หมด

เมื่อความจุแบตเตอรี่ที่เหลืออยู่ เครื่องมือจะหยุดโดยอัตโนมัติ หากผลิตภัณฑ์ไม่ทำงานแม้ว่าจะเปิดสวิตช์แล้วให้ถอดแบตเตอรี่ออกจากเครื่องมือและชาร์จแบตเตอรี่

ไฟแสดงความจุแบตเตอรี่ที่เหลืออยู่

► **หมายเลข 5:** 1. ปุ่มตรวจสอบ

► **หมายเลข 6**

กดปุ่มตรวจสอบเพื่อให้ไฟแสดงแบตเตอรี่แสดงความจุแบตเตอรี่ที่เหลืออยู่ ไฟแสดงสถานะแบตเตอรี่จะตรงตามแบตเตอรี่แต่ละลูก

ไฟแสดงความจุแบตเตอรี่ที่เหลืออยู่








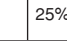

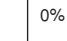



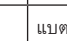



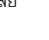
สถานะของไฟแสดงสถานะแบตเตอรี่ ☐: สว่าง ☐: ดับ ☐: กะพริบ	ความจุแบตเตอรี่ที่เหลืออยู่
	50% - 100%
	20% - 50%
	0% - 20%
	กำลังชาร์จแบตเตอรี่

การระบุระดับพลังงานแบตเตอรี่ที่เหลืออยู่

สำหรับถลับแบตเตอรี่ที่มีตัวแสดงสถานะเท่านั้น

► **หมายเลข 7:** 1. ไฟแสดงสถานะ 2. ปุ่มตรวจสอบ

กดปุ่ม ตรวจสอบ บนถลับแบตเตอรี่เพื่อดูปริมาณแบตเตอรี่ที่เหลือ ไฟแสดงสถานะจะสว่างขึ้นเป็นเวลาสองสามวินาที

ไฟแสดงสถานะ			แบตเตอรี่ที่ เหลือ
			
ไฟสว่าง	ดับ	กะพริบ	
			75% ถึง 100%
			50% ถึง 75%
			25% ถึง 50%
			0% ถึง 25%
			ชาร์จไฟ แบตเตอรี่
			แบตเตอรี่อาจ จะเสีย
			

หมายเหตุ: ขึ้นอยู่กับสภาพการใช้งานและอุณหภูมิ โดยรอบ การแสดงสถานะอาจแตกต่างจากปริมาณแบตเตอรี่จริงเล็กน้อย

หมายเหตุ: ไฟแสดงสถานะดวงแรก (ซ้ายสุด) จะกะพริบเมื่อระบบป้องกันแบตเตอรี่ทำงาน

การทำงานของสวิตช์

- ▶ **หมายเลข 8:** 1. สวิตช์เตรียมพร้อม 2. ปุ่มพาวเวอร์ 3. ปุ่มหมุนปรับแรงดูด

วิธีเปิดเครื่องดูดฝุ่น:



1. ตั้งสวิตช์เตรียมพร้อมไปที่ด้าน "I" เครื่องดูดฝุ่นจะอยู่ในสถานะเตรียมพร้อม

2. กดปุ่มไฟหลัก

เมื่อต้องการทำให้เครื่องดูดฝุ่นกลับไปอยู่ในโหมดเตรียมพร้อม ให้กดปุ่มไฟหลักอีกครั้ง

เมื่อต้องการปิดเครื่องดูดฝุ่น ให้ตั้งสวิตช์เตรียมพร้อมไปที่ด้าน "O"

สามารถปรับแรงดูดได้ตามงานที่คุณต้องการ สามารถเพิ่มแรงดูดโดยปรับปุ่มหมุนปรับแรงดูดจาก

หมายเลข  ไปหมายเลข 

ข้อสังเกต:

- ตั้งสวิตช์เตรียมพร้อมไปที่ด้าน "O" เสมอ เมื่อไม่ใช้เครื่องดูดฝุ่นเป็นเวลานาน เครื่องดูดฝุ่นยังคงใช้ไฟอยู่ระหว่างสถานะเตรียมพร้อม

การหยุดดูดอัตโนมัติระหว่างการดูดฝุ่นชนิดเปียก (สำหรับรุ่นตัวกรองผ้าเท่านั้น)

⚠ คำเตือน:

- อย่าใช้ที่ดูดฝุ่นเป็นเวลานานในขณะที่ลูกลอยกำลังทำงาน การใช้ที่ดูดฝุ่นเป็นเวลานานในขณะที่ลูกลอยกำลังทำงานอาจทำให้เกิดความร้อนเกินไป ส่งผลให้ที่ดูดฝุ่นผิดรูปไปได้
- อย่าดูดโคมหรือของเหลวที่มีฟอง การดูดโคมหรือของเหลวที่มีฟองอาจทำให้โคมไหลออกทางช่องระบายอากาศก่อนที่ลูกลอยจะทำงาน หากทำการดูดต่อในสภาพดังกล่าวอาจทำให้เกิดไฟฟ้าช็อตและทำให้เครื่องดูดฝุ่นเสียหายได้

การหยุดดูดอัตโนมัติจะทำงานต่อเมื่อใช้ลูกลอยและกรงลูกลอยเท่านั้น

เครื่องดูดฝุ่นมีกลไกลูกลอยที่จะป้องกันน้ำเข้าไปในมอเตอร์ เมื่อตุน้ำมากกว่าปริมาณน้ำที่กำหนด

เมื่อถึงเต็ม และเครื่องดูดฝุ่นไม่สามารถตุน้ำได้อีก ให้ปิดเครื่องและนำน้ำในถังออกให้หมด

การล็อกและปลดล็อกล้อเลื่อน

- ▶ **หมายเลข 9:** 1. ล้อเลื่อน 2. ก้านสต๊อปเปอร์ 3. ตำแหน่งฟรี 4. ตำแหน่งล็อก

เมื่อต้องการล็อกล้อเลื่อนด้วยสต๊อปเปอร์ ให้โยกก้านสต๊อปเปอร์ลงมาด้านล่างแล้วล้อเลื่อนจะไม่สามารถหมุนได้อีก การปลดล็อกล้อเลื่อน ให้ยกก้านสต๊อปเปอร์ขึ้น

การล็อกล้อเลื่อนทำให้สะดวกในการเก็บเครื่องดูดฝุ่น การหยุดการทำงานระหว่างทาง และการทำให้เครื่องดูดฝุ่นหยุดนิ่งอยู่กับที่

เมื่อต้องการใช้งานสต๊อปเปอร์ให้ปรับก้านด้วยมือ

หมายเหตุ:

- เมื่อต้องการเคลื่อนย้ายเครื่องดูดฝุ่น ตรวจสอบให้แน่ใจว่าล้อเลื่อนไม่ได้ถูกล็อกอยู่ การเคลื่อนย้ายเครื่องดูดฝุ่นในขณะที่ล้อเลื่อนยังอยู่ในตำแหน่งล็อกอาจทำให้ล้อเลื่อนชำรุดได้

เมื่อจับสำหรับการยก

- ▶ **หมายเลข 10**

เมื่อยกเครื่องดูดฝุ่น ให้ยกโดยจับที่มือจับที่อยู่ด้านบนของเครื่อง สามารถถอดมือจับที่อยู่ด้านบนเครื่องออกได้เมื่อไม่ต้องการใช้งาน

คำอธิบายชิ้นส่วนต่างๆ

รุ่น DVC860L

(รุ่นตัวกรองผ้า (สำหรับฝุ่นชนิดแห้งและเปียก))

- ▶ **หมายเลข 11:** 1. ฝาครอบถัง 2. ลูกกลอย 3. กรง
ลูกกลอย 4. ตัวกรองผ้า 5. ถัง

รุ่น DVC861L

(รุ่นตัวกรองผง (สำหรับฝุ่นชนิดแห้ง))

- ▶ **หมายเลข 12:** 1. ฝาครอบถัง 2. ตัวกรองผง (HEPA)
3. ตัวห่อการสะเทือน 4. ตัวกรองชั้น
ต้น 5. ถัง

การประกอบ

⚠ ข้อควรระวัง:

- ตรวจสอบให้แน่ใจเสมอว่าได้ปิดสวิทช์ ถอดปลั๊ก และถอดตัลบบัดเตอร์ออกแล้วก่อนดำเนินการใดๆ กับเครื่องดูดฝุ่น
- สวมใส่หน้ากากกันฝุ่นระหว่างการประกอบหรือการบำรุงรักษา

ติดตั้งตัวกรองผง (HEPA) และแผ่นกรองชั้นต้น (สำหรับฝุ่นชนิดแห้ง)

อุปกรณ์เสริมสำหรับรุ่นตัวกรองผ้า

⚠ ข้อควรระวัง:

- อย่าดูดน้ำ หรือของเหลวอื่นๆ หรือฝุ่นชนิดเปียก เมื่อใช้ตัวกรองผง เพราะอาจทำให้ตัวกรองผงเสียหายได้

- ▶ **หมายเลข 13:** 1. ฝาครอบถัง 2. ตัวกรองผง (HEPA)
3. ตัวห่อการสะเทือน 4. ตัวกรอง
ชั้นต้น 5. ถัง 6. เครื่องหมายตำแหน่ง
ติดตั้ง

- ▶ **หมายเลข 14:** 1. ลูกกลอย 2. กรงลูกกลอย

วิธีใช้งานตัวกรองผง ถอดสติกเกอร์เพื่อถอดกรงลูกกลอย และลูกกลอยออก วางตัวกรองชั้นต้นลงในถัง ติดตั้งตัวห่อการสะเทือนบนที่กรองผง จากนั้นวางลงในตัวกรองชั้นต้น

ขณะติดตั้งตัวกรองผงและตัวกรองชั้นต้น จัดให้เครื่องหมายตำแหน่งติดตั้งบนตัวกรองแต่ละตัวตรงกับเครื่องหมายที่ส่วนบนของถัง สูดท้าย ใส่ฝาครอบและล็อก

หมายเหตุ:

- ก่อนใช้ตัวกรองผง ตรวจสอบให้แน่ใจว่ามีการใช้แผ่นกรองชั้นต้นและตัวห่อการสะเทือนร่วมกันเสมอ ห้ามติดตั้งตัวกรองผงเพียงอย่างเดียว

การติดตั้งตัวกรองน้ำ (สำหรับรุ่นตัวกรองผ้าเท่านั้น) (อุปกรณ์เสริม)

⚠ ข้อควรระวัง:

- อย่าดูดน้ำหรือฝุ่นชนิดเปียกโดยไม่มีการติดตั้งลูกกลอยและตัวกรองผ้าหรือตัวกรองน้ำ
- สำหรับการดูดฝุ่นชนิดเปียก ตรวจสอบให้แน่ใจว่าติดตั้งกรงลูกกลอยและลูกกลอยบนเครื่องดูดฝุ่นแล้ว
- เมื่อต้องการติดตั้งตัวกรองน้ำลงบนถัง ให้วางให้ตรงกับฝาถังเพื่อให้ออกตัวของตัวกรองน้ำเกี่ยวเข้ากับฝาถังได้แนบสนิทและไม่มีช่องว่างระหว่างตัวกรองน้ำกับถัง

ข้อสังเกต:

- เมื่อต้องการดูดน้ำปริมาณมากต่อเนื่องควรใช้ตัวกรองน้ำ มิฉะนั้น ประสิทธิภาพของเครื่องดูดฝุ่นอาจลดลงได้ในกรณีที่ใช้ตัวกรองผ้า

- ▶ **หมายเลข 15:** 1. ตัวกรองน้ำ 2. ถัง 3. เครื่องหมายตำแหน่งติดตั้ง

หากต้องการดูดน้ำหรือฝุ่นเปียกเท่านั้น ใช้ตัวกรองน้ำจะเหมาะสมกว่าใช้ตัวกรองผ้า

เมื่อติดตั้งตัวกรองน้ำ ให้จัดให้ตรงกับเครื่องหมายตำแหน่งติดตั้งบนถัง

การติดตั้งถุงกระดาษ (อุปกรณ์เสริม)

คำเตือน:

- เมื่อต้องการใช้ถุงกระดาษ ให้ใช้ตัวกรองผ้า หรือแผ่นกรองชั้นต้นร่วมด้วยซึ่งติดตั้งบนเครื่องมืออยู่ก่อนแล้ว มิฉะนั้น หากไม่ใช้ตัวกรองผ้า/แผ่นกรองชั้นต้นร่วมด้วยอาจทำให้เกิดเสียงและความร้อนผิดปกติ และอาจส่งผลให้เกิดไฟไหม้ได้

ข้อควรระวัง:

(สำหรับรุ่นตัวกรองผ้าเท่านั้น)

- อย่าดูดน้ำ หรือของเหลวอื่นๆ หรือฝุ่นชนิดเปียกเมื่อใช้ถุงกระดาษ มิฉะนั้น อาจทำให้ถุงกระดาษเสียหายได้
- ก่อนการใช้งานถุงกระดาษ ตรวจสอบให้แน่ใจว่ามีการใช้ตัวกรองผง (อุปกรณ์เสริม), ตัวหน่วงการสะเทือน (อุปกรณ์เสริม) และแผ่นกรองชั้นต้นร่วมด้วยเสมอ

(สำหรับรุ่นตัวกรองผง)

- ก่อนใช้ถุงกระดาษ ตรวจสอบให้แน่ใจว่ามีการใช้ตัวกรองผง ตัวหน่วงการสะเทือน และแผ่นกรองชั้นต้นร่วมด้วยเสมอ

1. ถอดที่ยึดยางออก

▶ **หมายเลข 16:** 1. ที่ยึดยาง

2. คลี่ถุงกระดาษออก

3. จัดปากถุงกระดาษให้อยู่ในตำแหน่งปากดูดฝุ่นของเครื่องดูดฝุ่น

4. สอดส่วนที่เป็นกระดาษแข็งของถุงกระดาษลงบนที่ยึดและจัดให้อยู่ในตำแหน่งปลายสุด เลยส่วนที่ยื่นออกมาสำหรับลิ้น

▶ **หมายเลข 17:** 1. ถุงกระดาษ 2. ที่ยึด

การติดตั้งถุงโพลีเอทิลีน

สามารถใช้งานเครื่องดูดฝุ่นได้โดยไม่มีถุงโพลีเอทิลีน อย่างไรก็ตาม การใช้ถุงโพลีเอทิลีนจะทำให้การนำฝุ่นในถังออกได้ง่ายโดยที่มือของคุณไม่เปื้อน

▶ **หมายเลข 18:** 1. แผ่นยึด 2. ถุงโพลีเอทิลีน

วางถุงโพลีเอทิลีนให้แผ่ออกในถัง สอดถุงระหว่างแผ่นยึดกับถัง และดึงมาทางช่องท่อดูด

แผ่นถุงออกรอบส่วนบนของถังเพื่อให้ขอบของตัวกรองชั้นต้นสามารถจับและยึดกับถุงได้แน่นสนิท

หมายเหตุ:

- สามารถใช้ถุงโพลีเอทิลีนที่มีขายในท้องตลาดได้ ควรใช้ถุงที่มีความหนา 0.04 mm ขึ้นไป
- หากมีปริมาณฝุ่นมากเกินไปจะทำให้ถุงฉีกขาดได้ง่าย เพราะฉะนั้นอย่าให้มีฝุ่นสะสมมากกว่าครึ่งหนึ่งของความจุ

การนำฝุ่นออกจากถุงโพลีเอทิลีน

คำเตือน:

- ตรวจสอบให้แน่ใจเสมอว่าเครื่องดูดฝุ่นปิดสวิตช์และไม่ได้เสียบปลั๊กอยู่ก่อนนำฝุ่นในถุงโพลีเอทิลีนไปทิ้ง ไม่เช่นนั้นอาจทำให้เกิดไฟฟ้าช็อตและได้รับบาดเจ็บสาหัสได้

ข้อควรระวัง:

- อย่ากระแทกกรงลูกและถังด้วยความรุนแรง การกระแทกอย่างรุนแรงอาจทำให้ชิ้นส่วนดังกล่าวผิดรูปและเสียหายได้
- นำฝุ่นออกจากถังให้หมดอย่างน้อยวันละครั้ง โดยขึ้นอยู่กับปริมาณของฝุ่นในถัง ไม่เช่นนั้นจะทำให้แรงดูดลดกำลังลงและอาจทำให้มอเตอร์เสียหายได้
- อย่าจับที่ขอเกี่ยวขณะนำฝุ่นออกจากถัง การจับขอเกี่ยวอาจทำให้ขอเกี่ยวหักได้

ปลดขอเกี่ยวออกและยกถังขึ้น

▶ **หมายเลข 19**

เขย่าฝุ่นออกจากตัวกรองผ้า / ตัวกรองผง จากนั้นนำถุงโพลีเอทิลีนออกจากถัง

หมายเหตุ:

- นำถุงโพลีเอทิลีนออกจากถังด้วยความระมัดระวังเพื่อไม่ให้ถุงติดและฉีกขาดจากส่วนที่ยื่นในถังเมื่อนำฝุ่นออก
- นำฝุ่นออกจากถุงโพลีเอทิลีนก่อนที่ถุงจะเต็ม หากมีปริมาณฝุ่นสะสมในถังมากเกินไปอาจทำให้ถุงโพลีเอทิลีนฉีกขาด

การติดตั้งกล่องเครื่องมือ

▶ **หมายเลข 20**

- ปลดลิ้นฝาครอบแบตเตอรี่และเปิดฝาครอบแบตเตอรี่
- ติดตั้งราวจับบนกล่องเครื่องมือตามร่องของกล่อง
- ปิดฝาครอบแบตเตอรี่และลิ้น

▶ **หมายเลข 21**

กล่องเครื่องมือทำให้สะดวกในการขนแบตเตอรี่ สายต่อพ่วงท่อ หรือข้อต่อ

การเชื่อมต่อเครื่องมือ

⚠ ข้อควรระวัง:

- อย่าฝืนงอหรือเหยียบท่อดูด อย่าเคลื่อนย้ายเครื่องดูดฝุ่นโดยการดึงท่อดูด การฝืนงอ การเหยียบ และการดึงท่อดูดอาจทำให้ท่อเสียหาย หรือผิดรูปได้
- เมื่อดูดเศษวัสดุขนาดใหญ่ เช่น เศษจากบปไฟฟ้า ผุ่นคอนกรีต หรือเศษวัสดุอื่นๆ ที่ไม่ใช่เศษขนาดเล็ก ให้ใช้ท่อดูดที่มีเส้นผ่านศูนย์กลางภายในขนาด 38 mm (อุปกรณ์เสริม) การใช้ท่อดูดที่มีเส้นผ่านศูนย์กลางภายในขนาด 28 mm (อุปกรณ์เสริม) อาจทำให้ท่ออุดตันและเสียหายได้

▶ หมายเลข 22

สอดท่อดูดเข้าไปที่ช่องต่อของถังและหมุนตามเข็มนาฬิกาจนกระทั่งเข้าล็อก

การบำรุงรักษา

⚠ ข้อควรระวัง:

- ตรวจสอบให้แน่ใจเสมอว่าปิดสวิตช์เครื่องมือ ถอดปลั๊กไฟ และดับแบตเตอรี่ออกแล้วก่อนดำเนินการตรวจสอบหรือบำรุงรักษา

การเก็บรักษาสายไฟ

▶ หมายเลข 23

คุณสามารถม้วนสายไฟไว้รอบกล่องเครื่องมือได้

การเก็บรักษาอุปกรณ์เสริม

▶ หมายเลข 24

▶ หมายเลข 25

วางท่อไว้ในที่ยี่ต้อ เมื่อไม่ใช้งานเครื่องดูดฝุ่นเป็นระยะเวลาสั้นๆ

▶ หมายเลข 26

เก็บท่อดูดโดยพันไว้รอบๆ เครื่องมือ

การทำความสะอาด

⚠ ข้อควรระวัง:

- ห้ามใช้แก๊สโซลีน เบนซิน ทินเนอร์ แอลกอฮอล์ หรือสิ่งอื่นที่คล้ายกันนี้ เนื่องจากอาจทำให้สีซีดจาง เสียวรูป หรือแตกร้าวได้

การทำความสะอาดตัวกรองผ้า

สำหรับรุ่นตัวกรองผ้าเท่านั้น

▶ หมายเลข 27

ตัวกรองผ้าที่อุดตันจะทำให้ประสิทธิภาพการดูดแย่งลง ทำความสะอาดตัวกรองผ้าเป็นระยะๆ

นำฝุ่นหรือเศษผงอื่นๆ ออกจากตัวกรองผ้าโดยเขย่าส่วนกันของตัวกรองเร็วๆ หลายๆ ครั้ง

การทำความสะอาดตัวกรองผง (HEPA) และแผ่นกรองชั้นต้น

สำหรับรุ่นตัวกรองผงเท่านั้น

ตัวกรองผง ตัวกรองชั้นต้น และตัวห่่วงการสะเทือนที่อุดตันจะทำให้ประสิทธิภาพการดูดแย่งลง

ทำความสะอาดตัวกรองและตัวห่่วงการสะเทือนเป็นระยะๆ นำฝุ่นหรือเศษผงอื่นๆ ออกจากตัวกรองโดยเขย่าส่วนกันของตัวกรองเร็วๆ หลายๆ ครั้ง

▶ หมายเลข 28

ล้างตัวกรองผงบ้างเป็นครั้งคราวในน้ำ ล้างให้สะอาดและตากให้แห้งสนิทในที่ร่มก่อนใช้งาน อย่าล้างตัวกรองในเครื่องซักผ้าเด็ดขาด

หมายเหตุ:

- อย่าถูและขูดตัวกรองผง ตัวกรองชั้นต้น หรือตัวห่่วงการสะเทือนด้วยวัตถุที่มีความแข็ง เช่น แปรง และใบพัด
- ตัวกรองอาจเสื่อมสภาพได้ตามระยะเวลา ควรสำรองตัวกรองเมื่อไว้ด้วย

เพื่อความปลอดภัยและความน่าเชื่อถือของผลิตภัณฑ์ ควรให้ศูนย์บริการที่ได้รับการรับรองของ Makita เป็นผู้ดำเนินการซ่อมแซม บำรุงรักษา หรือทำการปรับตั้งอื่นๆ นอกจากนี้ให้ใช้อะไหล่ของแท้ของ Makita เสมอ

อุปกรณ์เสริม

ข้อควรระวัง:

- ขอแนะนำให้ใช้อุปกรณ์เสริมหรืออุปกรณ์ต่อพ่วงเหล่านี้กับเครื่องมือของ Makita ที่ระบุไว้ในคู่มือนี้ การใช้อุปกรณ์เสริมหรืออุปกรณ์ต่อพ่วงอื่นๆ อาจมีความเสี่ยงที่จะได้รับบาดเจ็บ ใช้อุปกรณ์เสริมหรืออุปกรณ์ต่อพ่วงตามวัตถุประสงค์ที่ระบุไว้เท่านั้น

หากต้องการทราบรายละเอียดเพิ่มเติมเกี่ยวกับอุปกรณ์เสริมเหล่านี้ โปรดสอบถามศูนย์บริการ Makita ใกล้บ้านคุณ

- แบตเตอรี่และเครื่องชาร์จ Makita ของแท้
- ท่ออ่อน
- ข้อต่อด้านหน้า (22, 24, 38)
- ท่อตรง
- หัวดูดฝุ่นสำหรับมุมอับ
- แปรงกลม
- ตัวกรองผง HEPA (สำหรับฝุ่นชนิดแห้ง)
- ตัวหน่วงการสะท้อน
- ตัวกรองชั้นต้น
- การประกอบท่อ
- ท่อโค้ง
- ถุงโพลีเอทิลีน
- ตัวกรองน้ำ (อุปกรณ์เสริมสำหรับรุ่นตัวกรองผ้า)
- ถุงกระดาษ
- ชุดที่ยึด

หมายเหตุ:

- อุปกรณ์บางอย่างในรายการเป็นอุปกรณ์เสริมมาตรฐานที่มีมาให้พร้อมกับชุดเครื่องมือ ซึ่งอาจแตกต่างกันไปในแต่ละประเทศ

Makita Corporation
3-11-8, Sumiyoshi-cho,
Anjo, Aichi 446-8502 Japan
www.makita.com

885411F375
EN, ZHCN, ID, MS,
VI, TH
20210203