

**GB**

Circular Saw

Instruction manual

ID

Gergaji Lingkaran

Petunjuk penggunaan

VI

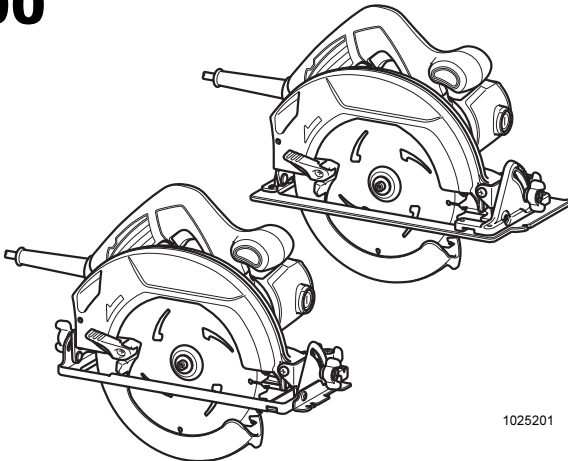
Máy Cưa Đĩa Cầm Tay Hoạt Động Bằng Động Cơ Điện

Tài liệu hướng dẫn

TH

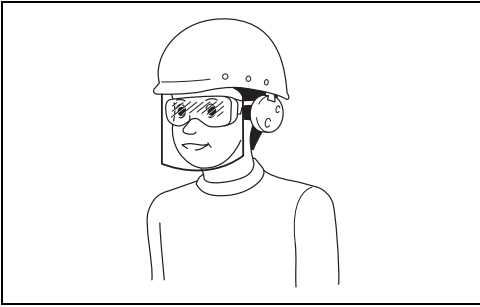
เลื่อยวงเดือน

คู่มือการใช้งาน

HS7000
HS7600

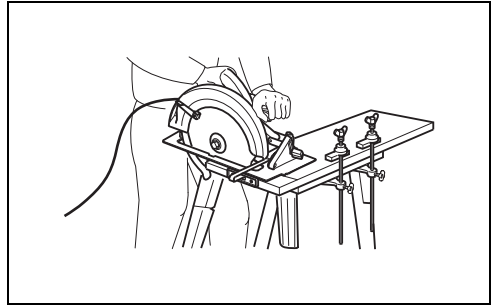
1025201





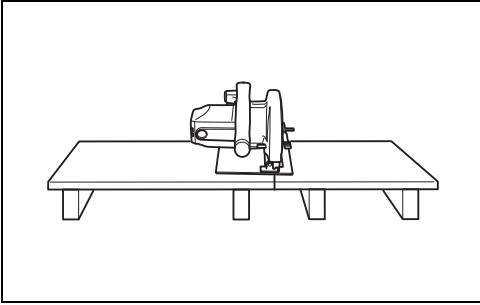
1

000114



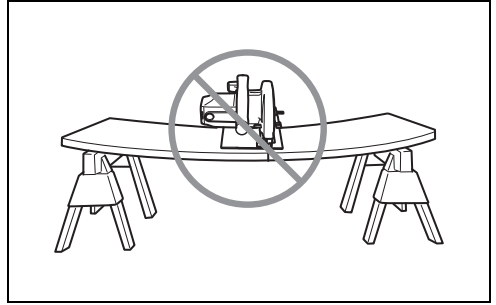
2

000157



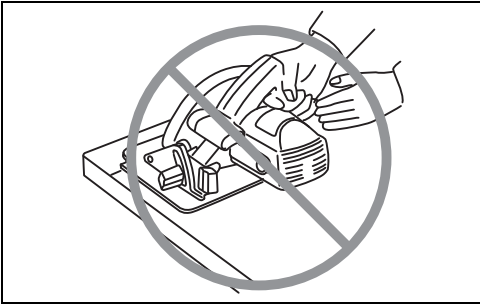
3

000154



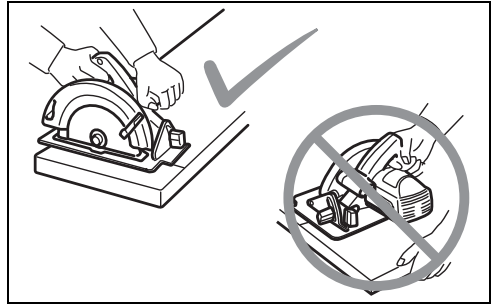
4

000156



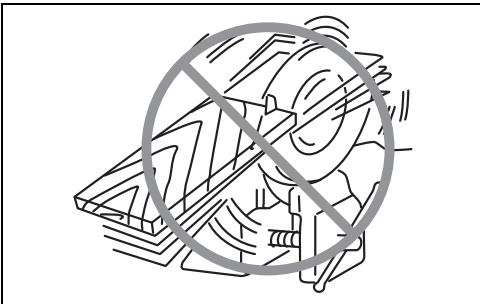
5

000194



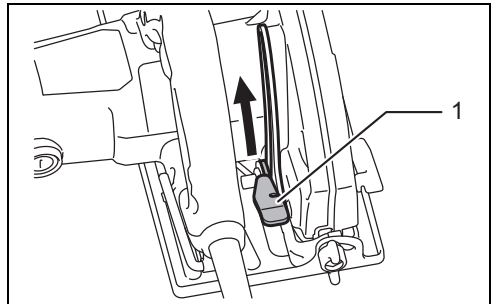
6

000147



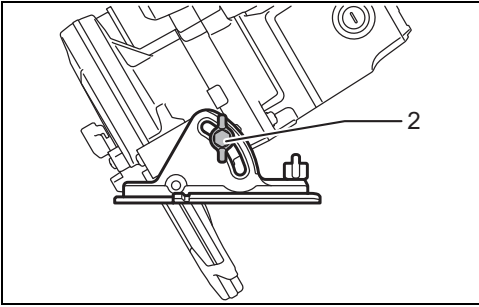
7

000029



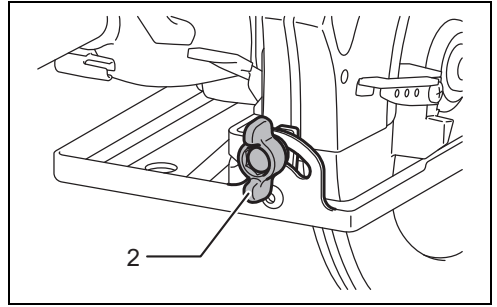
8

015208



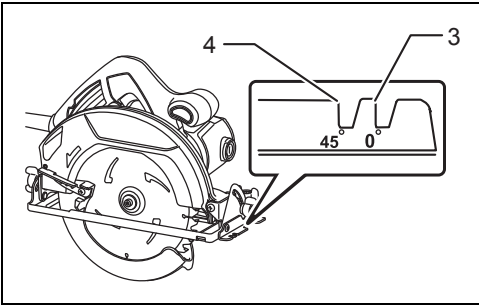
9

015209



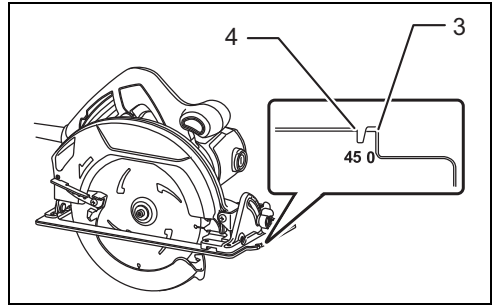
10

015210



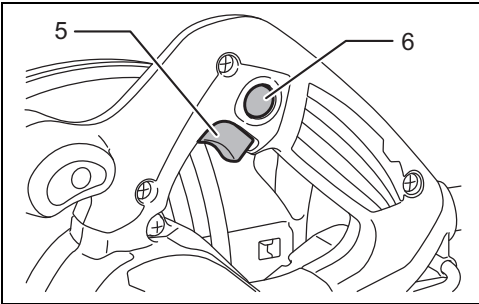
11

015223



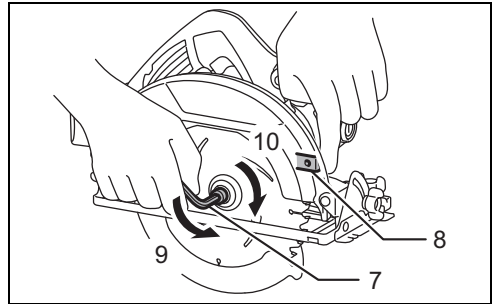
12

015282



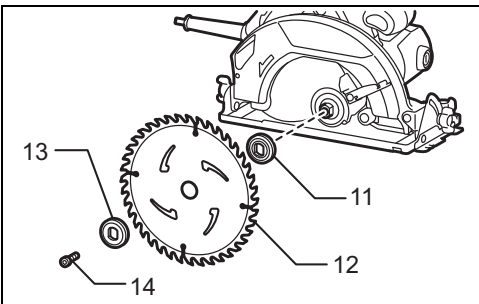
13

015364



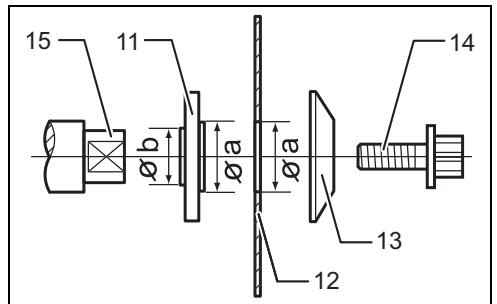
14

015212



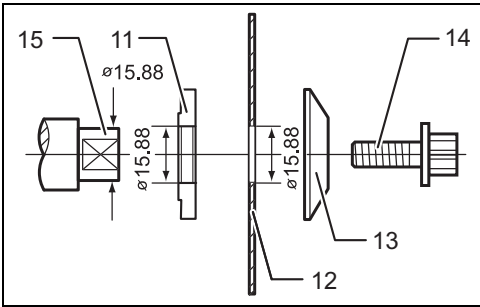
15

015216



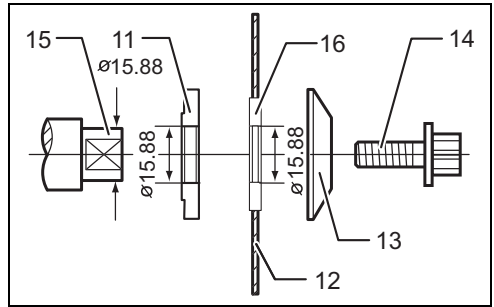
16

011230



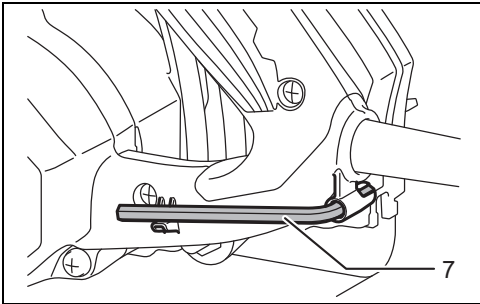
17

011231



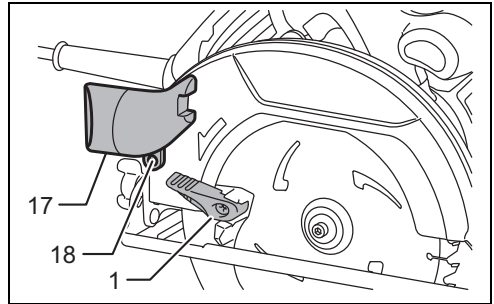
18

014598



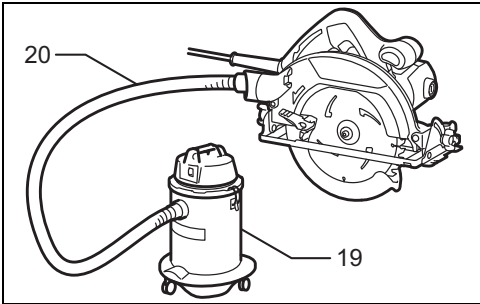
19

015213



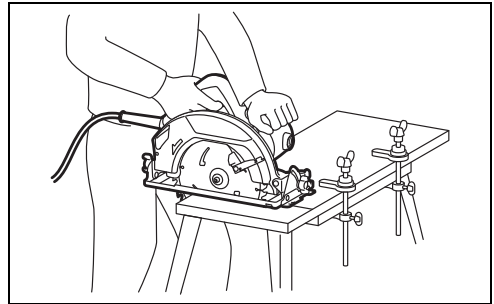
20

015214



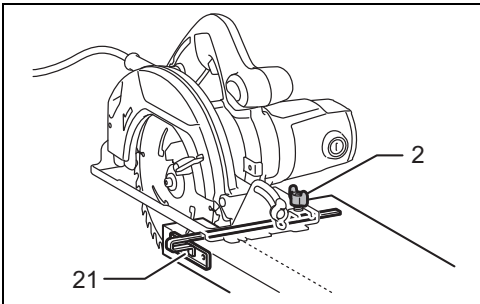
21

015215



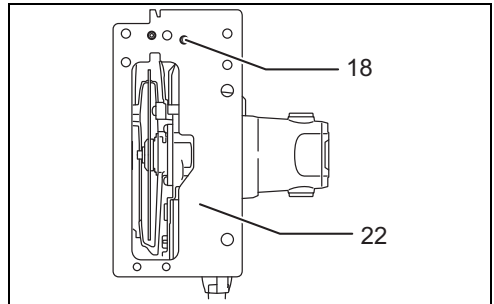
22

015217



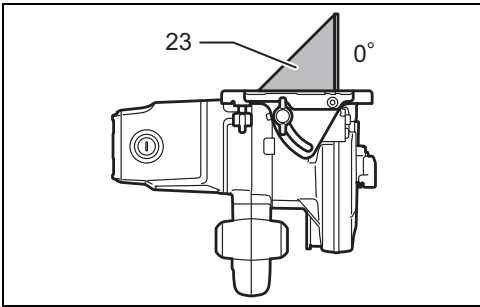
23

015218



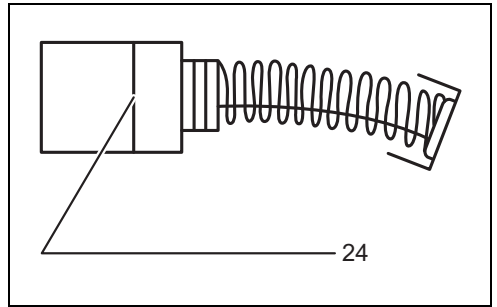
24

015219



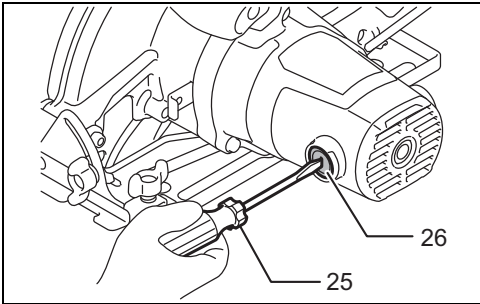
25

015220



26

001145



27

015221

ENGLISH (Original instructions)

Explanation of general view

- | | | |
|--------------------------------|--------------------|----------------------------|
| 1. Lever | 10. Tighten | 19. Vacuum cleaner |
| 2. Clamping screw | 11. Inner flange | 20. Hose |
| 3. Cutting line (0° position) | 12. Saw blade | 21. Rip fence (Guide rule) |
| 4. Cutting line (45° position) | 13. Outer flange | 22. Base |
| 5. Switch trigger | 14. Hex bolt | 23. Triangular rule |
| 6. Lock-off button/Lock button | 15. Mounting shaft | 24. Limit mark |
| 7. Hex wrench | 16. Ring | 25. Screwdriver |
| 8. Shaft lock | 17. Dust nozzle | 26. Brush holder cap |
| 9. Loosen | 18. Screw | |

SPECIFICATIONS

Model	HS7000	HS7600	
Blade diameter	185 mm		
Max. cutting depth	at 0°	65 mm	64 mm
	at 45°	43 mm	42 mm
No load speed	5,200 min ⁻¹		
Overall length	298 mm	309 mm	
Net weight	3.8 kg	3.6 kg	
Safety class	□/II		

- Due to our continuing program of research and development, the specifications herein are subject to change without notice.
- Specifications may differ from country to country.
- Weight according to EPTA-Procedure 01/2014

Symbols

END201-7

The following show the symbols used for the equipment.
Be sure that you understand their meaning before use.



..... Read instruction manual.



..... DOUBLE INSULATION

Intended use

ENE078-2

The tool is intended for performing lengthways and crossways straight cuts and mitre cuts with angles in wood while in firm contact with the workpiece. With appropriate Makita genuine saw blades, other materials can also be sawed.

Power supply

ENF002-2

The tool should be connected only to a power supply of the same voltage as indicated on the nameplate, and can only be operated on single-phase AC supply. They are double-insulated and can, therefore, also be used from sockets without earth wire.

General power tool safety warnings

GEA012-2

⚠ WARNING: Read all safety warnings, instructions, illustrations and specifications provided with this power tool. Failure to follow all instructions listed below may result in electric shock, fire and/or serious injury.

Save all warnings and instructions for future reference.

The term "power tool" in the warnings refers to your mains-operated (corded) power tool or battery-operated (cordless) power tool.

Work area safety

1. **Keep work area clean and well lit.** Cluttered or dark areas invite accidents.
2. **Do not operate power tools in explosive atmospheres, such as in the presence of flammable liquids, gases or dust.** Power tools create sparks which may ignite the dust or fumes.
3. **Keep children and bystanders away while operating a power tool.** Distractions can cause you to lose control.

Electrical Safety

1. **Power tool plugs must match the outlet. Never modify the plug in any way. Do not use any adapter plugs with earthed (grounded) power tools.** Unmodified plugs and matching outlets will reduce risk of electric shock.
2. **Avoid body contact with earthed or grounded surfaces, such as pipes, radiators, ranges and refrigerators.** There is an increased risk of electric shock if your body is earthed or grounded.
3. **Do not expose power tools to rain or wet conditions.** Water entering a power tool will increase the risk of electric shock.
4. **Do not abuse the cord. Never use the cord for carrying, pulling or unplugging the power tool. Keep cord away from heat, oil, sharp edges or**

moving parts. Damaged or entangled cords increase the risk of electric shock.

5. **When operating a power tool outdoors, use an extension cord suitable for outdoor use.** Use of a cord suitable for outdoor use reduces the risk of electric shock.
6. **If operating a power tool in a damp location is unavoidable, use a residual current device (RCD) protected supply.** Use of an RCD reduces the risk of electric shock.
7. **Use of power supply via an RCD with a rated residual current of 30 mA or less is always recommended.**
8. **Power tools can produce electromagnetic fields (EMF) that are not harmful to the user.** However, users of pacemakers and other similar medical devices should contact the maker of their device and/or doctor for advice before operating this power tool.
9. **Do not touch the power plug with wet hands.**
10. **If the cord is damaged, have it replaced by the manufacturer or his agent in order to avoid a safety hazard.**

Personal Safety

1. **Stay alert, watch what you are doing and use common sense when operating a power tool. Do not use a power tool while you are tired or under the influence of drugs, alcohol or medication.** A moment of inattention while operating power tools may result in serious personal injury.
2. **Use personal protective equipment. Always wear eye protection.** Protective equipment such as a dust mask, non-skid safety shoes, hard hat or hearing protection used for appropriate conditions will reduce personal injuries.
3. **Prevent unintentional starting. Ensure the switch is in the off-position before connecting to power source and/or battery pack, picking up or carrying the tool.** Carrying power tools with your finger on the switch or energising power tools that have the switch on invites accidents.
4. **Remove any adjusting key or wrench before turning the power tool on.** A wrench or a key left attached to a rotating part of the power tool may result in personal injury.
5. **Do not overreach. Keep proper footing and balance at all times.** This enables better control of the power tool in unexpected situations.
6. **Dress properly. Do not wear loose clothing or jewellery. Keep your hair and clothing away from moving parts.** Loose clothes, jewellery or long hair can be caught in moving parts.
7. **If devices are provided for the connection of dust extraction and collection facilities, ensure these are connected and properly used.** Use of dust collection can reduce dust-related hazards.
8. **Do not let familiarity gained from frequent use of tools allow you to become complacent and ignore tool safety principles.** A careless action can cause severe injury within a fraction of a second.
9. **Always wear protective goggles to protect your eyes from injury when using power tools. The goggles must comply with ANSI Z87.1 in the USA, EN 166 in Europe, or AS/NZS 1336 in Australia/ New Zealand. In Australia/New Zealand, it is**

legally required to wear a face shield to protect your face, too. (Fig. 1)

It is an employer's responsibility to enforce the use of appropriate safety protective equipments by the tool operators and by other persons in the immediate working area.

Power tool use and care

1. **Do not force the power tool. Use the correct power tool for your application.** The correct power tool will do the job better and safer at the rate for which it was designed.
2. **Do not use the power tool if the switch does not turn it on and off.** Any power tool that cannot be controlled with the switch is dangerous and must be repaired.
3. **Disconnect the plug from the power source and/or remove the battery pack, if detachable, from the power tool before making any adjustments, changing accessories, or storing power tools.** Such preventive safety measures reduce the risk of starting the power tool accidentally.
4. **Store idle power tools out of the reach of children and do not allow persons unfamiliar with the power tool or these instructions to operate the power tool.** Power tools are dangerous in the hands of untrained users.
5. **Maintain power tools and accessories. Check for misalignment or binding of moving parts, breakage of parts and any other condition that may affect the power tool's operation. If damaged, have the power tool repaired before use.** Many accidents are caused by poorly maintained power tools.
6. **Keep cutting tools sharp and clean.** Properly maintained cutting tools with sharp cutting edges are less likely to bind and are easier to control.
7. **Use the power tool, accessories and tool bits etc. in accordance with these instructions, taking into account the working conditions and the work to be performed.** Use of the power tool for operations different from those intended could result in a hazardous situation.
8. **Keep handles and grasping surfaces dry, clean and free from oil and grease.** Slippery handles and grasping surfaces do not allow for safe handling and control of the tool in unexpected situations.
9. **When using the tool, do not wear cloth work gloves which may be entangled.** The entanglement of cloth work gloves in the moving parts may result in personal injury.

Service

1. **Have your power tool serviced by a qualified repair person using only identical replacement parts.** This will ensure that the safety of the power tool is maintained.
2. **Follow instruction for lubricating and changing accessories.**

CIRCULAR SAW SAFETY WARNINGS

GEB133-2

Cutting procedures

1. **⚠ DANGER: Keep hands away from cutting area and the blade. Keep your second hand on auxiliary handle, or motor housing.** If both hands are holding the saw, they cannot be cut by the blade.
2. **Do not reach underneath the workpiece.** The guard cannot protect you from the blade below the workpiece.
3. **Adjust the cutting depth to the thickness of the workpiece.** Less than a full tooth of the blade teeth should be visible below the workpiece.
4. **Never hold the workpiece in your hands or across your leg while cutting. Secure the workpiece to a stable platform.** It is important to support the work properly to minimise body exposure, blade binding, or loss of control. (Fig. 2)
5. **Hold the power tool by insulated gripping surfaces, when performing an operation where the cutting tool may contact hidden wiring or its own cord.** Contact with a "live" wire will also make exposed metal parts of the power tool "live" and could give the operator an electric shock.
6. **When ripping, always use a rip fence or straight edge guide.** This improves the accuracy of cut and reduces the chance of blade binding.
7. **Always use blades with correct size and shape (diamond versus round) of arbour holes.** Blades that do not match the mounting hardware of the saw will run off-centre, causing loss of control.
8. **Never use damaged or incorrect blade washers or bolt.** The blade washers and bolt were specially designed for your saw, for optimum performance and safety of operation.

Kickback causes and related warnings

- kickback is a sudden reaction to a pinched, jammed or misaligned saw blade, causing an uncontrolled saw to lift up and out of the workpiece toward the operator;
- when the blade is pinched or jammed tightly by the kerf closing down, the blade stalls and the motor reaction drives the unit rapidly back toward the operator;
- if the blade becomes twisted or misaligned in the cut, the teeth at the back edge of the blade can dig into the top surface of the wood causing the blade to climb out of the kerf and jump back toward the operator.

Kickback is the result of saw misuse and/or incorrect operating procedures or conditions and can be avoided by taking proper precautions as given below.

1. **Maintain a firm grip with both hands on the saw and position your arms to resist kickback forces. Position your body to either side of the blade, but not in line with the blade.** Kickback could cause the saw to jump backwards, but kickback forces can be controlled by the operator, if proper precautions are taken.
2. **When blade is binding, or when interrupting a cut for any reason, release the trigger and hold the saw motionless in the material until the blade comes to a complete stop. Never attempt to remove the saw from the work or pull the saw backward while the blade is in motion or kickback**

may occur. Investigate and take corrective actions to eliminate the cause of blade binding.

3. **When restarting a saw in the workpiece, centre the saw blade in the kerf so that the saw teeth are not engaged into the material.** If a saw blade binds, it may walk up or kickback from the workpiece as the saw is restarted.
4. **Support large panels to minimise the risk of blade pinching and kickback.** Large panels tend to sag under their own weight. Supports must be placed under the panel on both sides, near the line of cut and near the edge of the panel. (Fig. 3 & 4)
5. **Do not use dull or damaged blades.** Unsharpened or improperly set blades produce narrow kerf causing excessive friction, blade binding and kickback.
6. **Blade depth and bevel adjusting locking levers must be tight and secure before making the cut.** If blade adjustment shifts while cutting, it may cause binding and kickback.
7. **Use extra caution when sawing into existing walls or other blind areas.** The protruding blade may cut objects that can cause kickback.
8. **ALWAYS hold the tool firmly with both hands. NEVER place your hand, leg or any part of your body under the tool base or behind the saw, especially when making cross-cuts.** If kickback occurs, the saw could easily jump backwards over your hand, leading to serious personal injury. (Fig. 5)
9. **Never force the saw. Push the saw forward at a speed so that the blade cuts without slowing.** Forcing the saw can cause uneven cuts, loss of accuracy, and possible kickback.

Lower guard function

1. **Check the lower guard for proper closing before each use. Do not operate the saw if the lower guard does not move freely and close instantly. Never clamp or tie the lower guard into the open position.** If the saw is accidentally dropped, the lower guard may be bent. Raise the lower guard with the retracting handle and make sure it moves freely and does not touch the blade or any other part, in all angles and depths of cut.
2. **Check the operation of the lower guard spring. If the guard and the spring are not operating properly, they must be serviced before use.** Lower guard may operate sluggishly due to damaged parts, gummy deposits, or a build-up of debris.
3. **The lower guard may be retracted manually only for special cuts such as "plunge cuts" and "compound cuts". Raise the lower guard by the retracting handle and as soon as the blade enters the material, the lower guard must be released.** For all other sawing, the lower guard should operate automatically.
4. **Always observe that the lower guard is covering the blade before placing the saw down on bench or floor.** An unprotected, coasting blade will cause the saw to walk backwards, cutting whatever is in its path. Be aware of the time it takes for the blade to stop after switch is released.
5. **To check lower guard, open lower guard by hand, then release and watch guard closure. Also check to see that retracting handle does not touch tool**

housing. Leaving blade exposed is VERY DANGEROUS and can lead to serious personal injury.

FUNCTIONAL DESCRIPTION

CAUTION:

- Always be sure that the tool is switched off and unplugged before adjusting or checking function on the tool.

Adjusting depth of cut

CAUTION:

- After adjusting the depth of cut, always tighten the lever securely. (Fig. 8)

Loosen the lever on the depth guide and move the base up or down. At the desired depth of cut, secure the base by tightening the lever.

For cleaner, safer cuts, set cut depth so that no more than one blade tooth projects below workpiece. Using proper cut depth helps to reduce potential for dangerous KICKBACKS which can cause personal injury.

Bevel cutting (Fig. 9 & 10)

For HS7000

Loosen the front and rear clamping screws. Set for the desired angle (0° - 45°) by tilting accordingly, then tighten the front and rear clamping screws securely.

For HS7600

Loosen the clamping screw. Set for the desired angle (0° - 45°) by tilting accordingly, then tighten the clamping screw securely.

Sighting

For HS7000 (Fig. 11)

For HS7600 (Fig. 12)

For straight cuts, align the 0° position on the front of the base with your cutting line. For 45° bevel cuts, align the 45° position with it.

Switch action

CAUTION:

- Before plugging in the tool, always check to see that the switch trigger actuates properly and returns to the "OFF" position when released. (Fig. 13)

For tool with lock-off button

CAUTION:

- Do not pull the switch trigger hard without pressing in the lock-off button. This can cause switch breakage. To prevent the switch trigger from being accidentally pulled, a lock-off button is provided. To start the tool, depress the lock-off button and pull the switch trigger. Release the switch trigger to stop.

WARNING:

- For your safety, this tool is equipped with a lock-off button which prevents the tool from unintended starting. NEVER use the tool if it runs when you simply pull the switch trigger without pressing the lock-off button. Return tool to a Makita service center for proper repairs BEFORE further usage.
- NEVER tape down or defeat purpose and function of lock-off button.

Additional safety warnings

1. **Use extra caution when cutting damp wood, pressure treated lumber, or wood containing knots.** Maintain smooth advancement of tool without decrease in blade speed to avoid overheating the blade tips.
2. **Do not attempt to remove cut material when blade is moving. Wait until blade stops before grasping cut material.** Blades coast after turn off.
3. **Avoid cutting nails. Inspect for and remove all nails from lumber before cutting.**
4. **Place the wider portion of the saw base on that part of the workpiece which is solidly supported, not on the section that will fall off when the cut is made. If the workpiece is short or small, clamp it down. DO NOT TRY TO HOLD SHORT PIECES BY HAND! (Fig. 6)**
5. **Before setting the tool down after completing a cut, be sure that the guard has closed and the blade has come to a complete stop.**
6. **Never attempt to saw with the circular saw held upside down in a vise. This is extremely dangerous and can lead to serious accidents. (Fig. 7)**
7. **Some material contains chemicals which may be toxic. Take caution to prevent dust inhalation and skin contact. Follow material supplier safety data.**
8. **Do not stop the blades by lateral pressure on the saw blade.**
9. **Do not use any abrasive wheels.**
10. **Only use the saw blade with the diameter that is marked on the tool or specified in the manual.** Use of an incorrectly sized blade may affect the proper guarding of the blade or guard operation which could result in serious personal injury.
11. **Keep blade sharp and clean.** Gum and wood pitch hardened on blades slows saw and increases potential for kickback. Keep blade clean by first removing it from tool, then cleaning it with gum and pitch remover, hot water or kerosene. Never use gasoline.
12. **Wear a dust mask and hearing protection when use the tool.**
13. **Always use the saw blade intended for cutting the material that you are going to cut.**
14. **Only use the saw blades that are marked with a speed equal or higher than the speed marked on the tool.**
15. **(For European countries only)**
Always use the blade which conforms to EN847-1.

SAVE THESE INSTRUCTIONS.

WARNING:

DO NOT let comfort or familiarity with product (gained from repeated use) replace strict adherence to safety rules for the subject product. MISUSE or failure to follow the safety rules stated in this instruction manual may cause serious personal injury.

For tool with lock button

CAUTION:

- Switch can be locked in "ON" position for ease of operator comfort during extended use. Apply caution when locking tool in "ON" position and maintain firm grasp on tool.

To start the tool, simply pull the switch trigger. Release the switch trigger to stop.

For continuous operation, pull the switch trigger, push in the lock button and then release the switch trigger.

To stop the tool from the locked position, pull the switch trigger fully, then release it.

ASSEMBLY

CAUTION:

- Always be sure that the tool is switched off and unplugged before adjusting or checking function on the tool.

Removing or installing saw blade

CAUTION:

- Be sure the blade is installed with teeth pointing up at the front of the tool.
- Use only the Makita wrench to install or remove the blade.

To remove the blade, press the shaft lock so that the blade cannot revolve and use the wrench to loosen the hex bolt counterclockwise. Then remove the hex bolt, outer flange and blade. (Fig. 14)

When changing blade, make sure to also clean upper and lower blade guards of accumulated sawdust. Such efforts do not, however, replace the need to check lower guard operation before each use. (Fig. 15)

For tool with the inner flange for other than 15.88 mm hole-diameter saw blade (Fig. 16)

The inner flange has a certain diameter protrusion on one side of it and a different diameter protrusion on the other side. Choose a correct side on which protrusion fits into the saw blade hole perfectly.

Next, mount the inner flange onto the mounting shaft so that the correct side of protrusion on the inner flange faces outward and then place saw blade and outer flange. **BE SURE TO TIGHTEN THE HEX BOLT CLOCKWISE SECURELY.**

CAUTION:

- **Make sure that the protrusion "a" on the inner flange that is positioned outside fits into the saw blade hole "a" perfectly.** Mounting the blade on the wrong side can result in the dangerous vibration.

For tool with the inner flange for a 15.88 mm hole-diameter saw blade (country specific) (Fig. 17 & 18)

Mount the inner flange with its recessed side facing outward onto the mounting shaft and then place saw blade (with the ring attached if needed), outer flange and hex bolt.

BE SURE TO TIGHTEN THE HEX BOLT CLOCKWISE SECURELY.

WARNING:

- **Before mounting the blade onto the spindle, always be sure that the correct ring for the blade's arbor**

hole you intend to use is installed between the inner and the outer flanges. Use of the incorrect arbor hole ring may result in the improper mounting of the blade causing blade movement and severe vibration resulting in possible loss of control during operation and in serious personal injury.

Hex wrench storage (Fig. 19)

When not in use, store the hex wrench as shown in the figure to keep it from being lost.

Connecting a vacuum cleaner (Optional accessory in some countries) (Fig. 20 & 21)

When you wish to perform clean cutting operation, connect a Makita vacuum cleaner to your tool.

Install the dust nozzle on the tool using the screw. Then connect a hose of the vacuum cleaner to the dust nozzle as shown in the figure.

For tool without dust nozzle provided as a standard equipment, replace the lever fixed on the lower guard to the one supplied with the dust nozzle (optional accessory) at the same time when installing the dust nozzle.

Otherwise you will not be able to make a cut because the lower guard movement is hindered by the dust nozzle.

OPERATION

CAUTION:

- Be sure to move the tool forward in a straight line gently. Forcing or twisting the tool will result in overheating the motor and dangerous kickback, possibly causing severe injury.
- Always use a front grip and rear handle and firmly hold the tool by both front grip and rear handle during operations. (Fig. 22)

Hold the tool firmly. The tool is provided with both a front grip and rear handle. Use both to best grasp the tool. If both hands are holding saw, they cannot be cut by the blade. Set the base on the workpiece to be cut without the blade making any contact. Then turn the tool on and wait until the blade attains full speed. Now simply move the tool forward over the workpiece surface, keeping it flat and advancing smoothly until the sawing is completed. To get clean cuts, keep your sawing line straight and your speed of advance uniform. If the cut fails to properly follow your intended cut line, do not attempt to turn or force the tool back to the cut line. Doing so may bind the blade and lead to dangerous kickback and possible serious injury. Release switch, wait for blade to stop and then withdraw tool. Realign tool on new cut line, and start cut again. Attempt to avoid positioning which exposes operator to chips and wood dust being ejected from saw. Use eye protection to help avoid injury.

Rip fence (Guide rule) (optional accessory) (Fig. 23)

The handy rip fence allows you to do extra-accurate straight cuts. Simply slide the rip fence up snugly against the side of the workpiece and secure it in position with the clamping screw on the front of the base. It also makes repeated cuts of uniform width possible.

MAINTENANCE

CAUTION:

- Always be sure that the tool is switched off and unplugged before attempting to perform inspection or maintenance.
- **Clean out the upper and lower guards to ensure there is no accumulated sawdust which may impede the operation of the lower guarding system.** A dirty guarding system may limit the proper operation which could result in serious personal injury. The most effective way to accomplish this cleaning is with compressed air. **If the dust is being blown out of the guards be sure the proper eye and breathing protection is used.**
- Never use gasoline, benzine, thinner, alcohol or the like. Discoloration, deformation or cracks may result.

Adjusting for accuracy of 0° cut

For HS7600 only (Fig. 24 & 25)

This adjustment has been made at the factory. But if it is off, adjust the adjusting screws with a hex wrench while inspecting 0° the blade with the base using a triangular rule or square rule, etc.

Replacing carbon brushes (Fig. 26)

Remove and check the carbon brushes regularly. Replace when they wear down to the limit mark. Keep the carbon brushes clean and free to slip in the holders. Both carbon brushes should be replaced at the same time. Use only identical carbon brushes.

Use a screwdriver to remove the brush holder caps. Take out the worn carbon brushes, insert the new ones and secure the brush holder caps. (Fig. 27)

To maintain product SAFETY and RELIABILITY, repairs, any other maintenance or adjustment should be performed by Makita Authorized Service Centers, always using Makita replacement parts.

OPTIONAL ACCESSORIES

CAUTION:

- These accessories or attachments are recommended for use with your Makita tool specified in this manual. The use of any other accessories or attachments might present a risk of injury to persons. Only use accessory or attachment for its stated purpose.

If you need any assistance for more details regarding these accessories, ask your local Makita Service Center.

- Saw blades
- Rip fence (Guide rule)
- Dust nozzle
- Hex wrench

NOTE:

- Some items in the list may be included in the tool package as standard accessories. They may differ from country to country.

BAHASA INDONESIA (Petunjuk Asli)

Penjelasan tampilan keseluruhan

- | | | |
|-----------------------------------|----------------------|-----------------------------------|
| 1. Tuas | 10. Kencangkan | 19. Mesin pembersih vakum |
| 2. Sekrup klem | 11. Flensa dalam | 20. Slang |
| 3. Garis pemotongan (posisi 0°) | 12. Roda gergaji | 21. Rip fence (Penggaris pemandu) |
| 4. Garis pemotongan (posisi 45°) | 13. Flensa luar | 22. Alas |
| 5. Picu sakelar | 14. Baut hex | 23. Penggaris segitiga |
| 6. Tombol kunci-mati/Tombol kunci | 15. Poros pemasangan | 24. Garis batas |
| 7. Kunci hex | 16. Cincin | 25. Obeng |
| 8. Kunci as | 17. Nozel debu | 26. Tutup borstel arang |
| 9. Kendurkan | 18. Sekrup | |

SPESIFIKASI

Model	HS7000	HS7600	
Diameter roda gergaji	185 mm		
Kedalaman pemotongan maks.	pada sudut 0°	65 mm	64 mm
	pada sudut 45°	43 mm	42 mm
Kecepatan tanpa beban	5.200 men ⁻¹		
Panjang keseluruhan	298 mm	309 mm	
Berat bersih	3,8 kg	3,6 kg	
Kelas keamanan	□/II		

- Karena kesinambungan program penelitian dan pengembangan kami, spesifikasi yang disebutkan di sini dapat berubah tanpa pemberitahuan.
- Spesifikasi dapat berbeda dari satu negara ke negara lainnya.
- Berat menurut Prosedur EPTA 01/2014

Simbol-simbol

END201-7

Berikut ini adalah simbol-simbol yang digunakan pada alat ini. Pastikan Anda mengerti makna masing-masing simbol sebelum menggunakan alat ini.



..... Baca petunjuk penggunaan.



..... ISOLASI GANDA

Maksud penggunaan

ENE078-2

Mesin ini dimaksudkan untuk melakukan pemotongan lurus dan adu manis secara memanjang dan melintang dengan sudut tertentu pada kayu sambil menempelkannya dengan kuat pada benda kerja. Dengan roda gergaji asli Makita yang sesuai, bahan lain juga bisa digergaji.

Pasokan daya

ENF002-2

Alat harus terhubung dengan pasokan daya listrik yang bervoltase sama dengan yang tertera pada pelat nama, dan hanya dapat dijalankan dengan listrik AC fase tunggal. Alat ini diisolasi ganda dan oleh sebab itu dapat dihubungkan dengan soket tanpa arde.

Peringatan keselamatan umum mesin listrik

GEA012-2

⚠ PERINGATAN: Bacalah semua peringatan keselamatan, petunjuk, ilustrasi dan spesifikasi yang disertakan bersama mesin listrik ini. Kelalaian untuk mematuhi semua petunjuk yang tercantum di bawah ini

dapat menyebabkan sengatan listrik, kebakaran dan/atau cedera serius.

Simpanlah semua peringatan dan petunjuk untuk acuan di masa depan.

Istilah "mesin listrik" dalam semua peringatan mengacu pada mesin listrik yang dijalankan dengan sumber listrik jala-jala (berkabel) atau baterai (tanpa kabel).

Keselamatan tempat kerja

1. **Jaga tempat kerja selalu bersih dan berpenerangan cukup.** Tempat kerja yang berantakan dan gelap mengundang kecelakaan.
2. **Jangan gunakan mesin listrik dalam lingkungan yang mudah meledak, misalnya jika ada cairan, gas, atau debu yang mudah menyala.** Mesin listrik menimbulkan bunga api yang dapat menyalakan debu atau uap tersebut.
3. **Jauhkan anak-anak dan orang lain saat menggunakan mesin listrik.** Bila perhatian terpecah, anda dapat kehilangan kendali.

Keamanan Kelistrikan

1. **Steker mesin listrik harus cocok dengan stopkontak.** Jangan sekali-kali mengubah steker dengan cara apa pun. Jangan menggunakan steker adaptor dengan mesin listrik terbumi (dibumikan). Steker yang tidak diubah dan stopkontak yang cocok akan mengurangi risiko sengatan listrik.
2. **Hindari sentuhan tubuh dengan permukaan terbumi atau yang dibumikan seperti pipa, radiator, kompor, dan kulkas.** Risiko sengatan listrik

- bertambah jika tubuh Anda terbumikan atau dibumikan.
- Jangan membiarkan mesin listrik kehujaan atau kebasahan.** Air yang masuk ke dalam mesin listrik akan meningkatkan risiko sengatan listrik.
 - Jangan menyalahgunakan kabel. Jangan sekali-kali menggunakan kabel untuk membawa, menarik, atau mencabut mesin listrik dari stopkontak.** Jauhkan kabel dari panas, minyak, tepian tajam, atau bagian yang bergerak. Kabel yang rusak atau kusut memperbesar risiko sengatan listrik.
 - Bila menggunakan mesin listrik di luar ruangan, gunakan kabel ekstensi yang sesuai untuk penggunaan di luar ruangan.** Penggunaan kabel yang sesuai untuk penggunaan luar ruangan mengurangi risiko sengatan listrik.
 - Jika mengoperasikan mesin listrik di lokasi lembap tidak terhindarkan, gunakan pasokan daya yang dilindungi peranti imbasan arus (residual current device - RCD).** Penggunaan RCD mengurangi risiko sengatan listrik.
 - Penggunaan pasokan daya melalui RCD dengan kapasitas arus sisa 30 mA atau kurang selalu dianjurkan.**
 - Mesin listrik dapat menghasilkan medan magnet (EMF) yang tidak berbahaya bagi pengguna.** Namun, pengguna alat pacu jantung atau peralatan medis sejenisnya harus berkonsultasi dengan produsen peralatan tersebut dan/atau dokter mereka sebelum mengoperasikan mesin listrik ini.
 - Jangan menyentuh colokan daya dengan tangan basah.**
 - Jika kabel rusak, penggantian harus dilakukan oleh produsen atau agennya untuk menghindari bahaya keselamatan.**

Keselamatan Diri

- Jaga kewaspadaan, perhatikan pekerjaan Anda dan gunakan akal sehat bila menggunakan mesin listrik.** Jangan menggunakan mesin listrik saat Anda lelah atau di bawah pengaruh obat bius, alkohol, atau obat. Sekejap saja lalai saat menggunakan mesin listrik dapat menyebabkan cedera badan serius.
- Gunakan alat pelindung diri. Selalu gunakan pelindung mata.** Peralatan pelindung seperti masker debu, sepatu pengaman anti-selip, helm pengaman, atau pelindung telinga yang digunakan untuk kondisi yang sesuai akan mengurangi risiko cedera badan.
- Cegah penyalan yang tidak disengaja.** Pastikan bahwa sakelar berada dalam posisi mati (off) sebelum menghubungkan mesin ke sumber daya dan/atau paket baterai, atau mengangkat atau membawanya. Membawa mesin listrik dengan jari Anda pada sakelarnya atau mengalirkan listrik pada mesin listrik yang sakelarnya hidup (on) akan mengundang kecelakaan.
- Lepaskan kunci-kunci penyetel sebelum menghidupkan mesin listrik.** Kunci-kunci yang masih terpasang pada bagian mesin listrik yang berputar dapat menyebabkan cedera.
- Jangan meraih terlalu jauh. Jagalah pijakan dan keseimbangan sepanjang waktu.** Hal ini memungkinkan kendali yang lebih baik atas mesin listrik dalam situasi yang tidak diharapkan.

- Kenakan pakaian yang memadai. Jangan memakai pakaian yang longgar atau perhiasan.** Jaga jarak antara rambut dan pakaian Anda dengan komponen mesin yang bergerak. Pakaian yang longgar, perhiasan, atau rambut yang panjang dapat tersangkut pada komponen yang bergerak.
- Jika tersedia fasilitas untuk menghisap dan mengumpulkan debu, pastikan fasilitas tersebut terhubung listrik dan digunakan dengan baik.** Penggunaan pembersih debu dapat mengurangi bahaya yang terkait dengan debu.
- Jangan sampai Anda lelah dan mengabaikan prinsip keselamatan mesin ini hanya karena sudah sering mengoperasikannya dan sudah merasa terbiasa.** Tindakan yang lalai dapat menyebabkan cedera berat dalam sepersekian detik saja.
- Selalu kenakanacamata pelindung untuk melindungi mata dari cedera saat menggunakan mesin listrik.** Kacamata harus sesuai dengan ANSI Z87.1 di Amerika Serikat, EN 166 di Eropa, atau AS/NZS 1336 di Australia/Selandia Baru. Di Australia/Selandia Baru, secara hukum Anda juga diwajibkan mengenakan pelindung wajah untuk melindungi wajah Anda.(Gb. 1) Menjadi tanggung jawab atasan untuk menerapkan penggunaan alat pelindung keselamatan yang tepat bagi operator mesin dan orang lain yang berada di area kerja saat itu.

Penggunaan dan pemeliharaan mesin listrik

- Jangan memaksa mesin listrik.** Gunakan mesin listrik yang tepat untuk keperluan Anda. Mesin listrik yang tepat akan menuntaskan pekerjaan dengan lebih baik dan aman pada kecepatan sesuai rancangannya.
- Jangan gunakan mesin listrik jika sakelar tidak dapat menyalakan dan mematikannya.** Mesin listrik yang tidak dapat dikendalikan dengan sakelarnya adalah berbahaya dan harus diperbaiki.
- Cabut steker dari sumber listrik dan/atau lepas paket baterai, jika dapat dilepas, dari mesin listrik sebelum melakukan penyetelan apa pun, mengganti aksesoris, atau menyimpan mesin listrik.** Langkah keselamatan preventif tersebut mengurangi risiko hidupnya mesin secara tak sengaja.
- Simpan mesin listrik jauh dari jangkauan anak-anak dan jangan biarkan orang yang tidak paham mengenai mesin listrik tersebut atau petunjuk ini menggunakan mesin listrik.** Mesin listrik sangat berbahaya di tangan pengguna yang tak terlatih.
- Rawatlah mesin listrik dan aksesoris. Periksa apakah ada komponen bergerak yang tidak lurus atau macet, komponen yang pecah, dan kondisi-kondisi lain yang dapat memengaruhi pengoperasian mesin listrik.** Jika rusak, perbaiki dahulu mesin listrik sebelum digunakan. Banyak kecelakaan disebabkan oleh kurangnya pemeliharaan mesin listrik.
- Jaga agar mesin pemotong tetap tajam dan bersih.** Mesin pemotong yang terawat baik dengan mata pemotong yang tajam tidak mudah macet dan lebih mudah dikendalikan.

7. **Gunakan mesin listrik, aksesoris, dan mata mesin, dll. sesuai dengan petunjuk ini, dengan memperhitungkan kondisi kerja dan jenis pekerjaan yang dilakukan.** Penggunaan mesin listrik untuk penggunaan yang lain dari peruntukan dapat menimbulkan situasi berbahaya.
8. **Jagalah agar gagang dan permukaan pegangan tetap kering, bersih, dan bebas dari minyak dan pelumas.** Gagang dan permukaan pegangan yang licin tidak mendukung keamanan penanganan dan pengendalian mesin dalam situasi-situasi tak terduga.
9. **Ketika menggunakan mesin, jangan menggunakan sarung tangan kain yang dapat tersangkut.** Sarung tangan kain yang tersangkut pada komponen bergerak dapat mengakibatkan cedera pada pengguna.

Servis

1. **Berikan mesin listrik untuk diperbaiki hanya kepada oleh teknisi yang berkualifikasi dengan menggunakan hanya suku cadang pengganti yang serupa.** Hal ini akan menjamin terjaganya keamanan mesin listrik.
2. **Patuhi petunjuk pelumasan dan penggantian aksesoris.**

PERINGATAN KESELAMATAN GERGAJI BUNDAR

GEB133-2

Prosedur pemotongan

1. **⚠ BAHAYA: Jauhkan tangan dari area pemotongan dan mata pisau. Jaga tangan kedua Anda pada pegangan tambahan, atau tempat motor mesin berada.** Kedua tangan tidak akan terpotong mata pisau jika keduanya memegang gergaji.
2. **Jangan meraih bagian bawah benda kerja.** Pelindung tidak dapat melindungi Anda dari mata pisau yang ada di bawah benda kerja.
3. **Setel kedalaman pemotongan terhadap ketebalan benda kerja.** Sebagian gigi mata pisau harus terlihat di bawah benda kerja.
4. **Jangan pernah memegang benda kerja dengan meletakkannya dalam genggaman tangan atau jepitan kaki Anda.** Pastikan benda kerja berada pada platform yang stabil. Sangat penting untuk menunjang pekerjaan dengan benar untuk meminimalkan tubuh terpapar, mata pisau terikat, atau kehilangan kontrol. **(Gb. 2)**
5. **Pegang mesin pada permukaan genggaman yang terinsulasi saat melakukan pekerjaan yang memiliki kemungkinan alat pemotong bersentuhan dengan kabel yang tersembunyi atau kabel mesin tersebut.** Sentuhan kawat "hidup" dapat menyebabkan bagian logam pada mesin teraliri arus listrik dan menyengat pengguna.
6. **Saat membelah, selalu gunakan pagar pembelah atau petunjuk tepi lurus.** Hal ini meningkatkan akurasi potongan dan mengurangi kemungkinan terikatnya mata pisau.
7. **Selalu gunakan mata pisau dengan ukuran dan bentuk yang tepat (bentuk berlian atau lingkaran) dari lubang lengkung.** Mata pisau yang tidak sesuai untuk dipasang pada perangkat keras gergaji jika

digunakan akan melenceng dari pusatnya sehingga mengakibatkan kehilangan kontrol.

8. **Jangan pernah gunakan cincin mata pisau atau baut yang salah.** Cincin mata pisau dan baut dirancang secara khusus untuk gergaji Anda, untuk kinerja yang optimal dan keselamatan pengoperasian.

Penyebab hentakan balik dan peringatan terkait

- sentakan balik adalah reaksi mendadak dari mata gergaji yang terjepit, tersangkut atau tidak sejajar, menyebabkan gergaji yang tidak terkontrol mungkin terangkat dan keluar dari benda kerja ke arah operator;
- saat mata pisau terjepit atau tersangkut kuat oleh goresan tertutup, mata pisau berhenti bergerak dan reaksi motor menggerakkan unit dengan cepat ke arah operator;
- jika mata pisau terikat atau tidak sejajar pada potongan, gigi pada tepi belakang mata pisau dapat menggali ke permukaan atas kayu menyebabkan mata pisau keluar naik dari goresan dan melompat kembali ke arah operator.

Hentikan balik merupakan akibat dari salah cara menggunakan gergaji dan/atau prosedur atau kondisi pengoperasian yang salah dan dapat dihindari dengan melakukan tindakan kewaspadaan yang tepat sebagaimana diuraikan di bawah ini.

1. **Pertahankan pegangan yang kuat pada gergaji dengan kedua tangan dan posisikan lengan Anda untuk menahan kekuatan balik.** Posisikan tubuh Anda di sisi mata pisau, bukan sejajar dengan mata pisau. Hentikan balik dapat menyebabkan gergaji melompat ke belakang, namun kekuatan hentakan balik dapat dikontrol oleh operator, jika dilakukan tindakan pencegahan yang tepat.
2. **Saat mata pisau terikat, atau saat menyela pemotongan, lepaskan picu dan pegang gergaji tidak bergerak dalam bahan kerja sampai mata pisau benar-benar berhenti. Jangan pernah mencoba melepas gergaji dari pekerjaan atau menarik gergaji ke belakang saat mata pisau bergerak, jika tidak, akan terjadi hentakan balik.** Periksa dan ambil tindakan yang tepat untuk menyingkirkan penyebab terikatnya mata pisau.
3. **Saat memulai ulang gergaji pada benda kerja, pusatkan mata gergaji di goresan sehingga gigi gergaji tidak tersangkut pada benda kerja.** Jika mata gergaji tersangkut, maka mata gergaji mungkin keluar atau menyentak balik dari benda kerja saat gergaji dimulai ulang.
4. **Tunjang panel besar untuk meminimalkan risiko mata pisau terjepit dan terhentak balik.** Panel besar cenderung melengkung karena beratnya. Penunjang harus ditempatkan di bawah panel pada kedua sisi, dekat garis pemotongan dan tepi panel. **(Gb. 3 & 4)**
5. **Jangan gunakan mata pisau yang tumpul atau rusak.** Set mata pisau yang tidak diasah atau tidak tepat dapat menghasilkan goresan yang tipis yang dapat menyebabkan gesekan berlebih, terikatnya mata pisau dan hentakan balik.
6. **Ketajaman mata pisau dan tuas pengunci penyatel sudut harus kencang dan aman sebelum pemotongan.** Apabila penyatel mata pisau bergeser saat memotong, hal ini dapat menyebabkan mata pisau terikat dan terhentak balik.

7. **Berhati-hatilah saat menggergaji dinding atau area buta lain.** Mata pisau yang mencuat dapat memotong objek yang dapat menyebabkan hentakan balik.
8. **SELALU pegang mesin kuat-kuat dengan kedua tangan. JANGAN PERNAH letakkan tangan, kaki atau bagian tubuh Anda di bawah dudukan mesin atau di belakang gergaji, terutama saat membuat potongan menyilang.** Apabila terjadi hentakan balik, gergaji dapat dengan mudah melompat ke belakang tangan, dan mengakibatkan cedera serius. (Gb. 5)
9. **Jangan sekali-kali menekan gergaji. Dorong gergaji ke depan dengan satu kecepatan sehingga mata pisau memotong tanpa melambat.** Menekan gergaji dapat menyebabkan potongan yang tidak merata, tidak adanya akurasi, dan kemungkinan terjadinya hentakan balik.

Fungsi pelindung

1. **Periksa apakah pelindung bagian bawah tertutup dengan baik setiap kali akan digunakan. Jangan mengoperasikan gergaji jika pelindung bagian bawah tidak bergerak bebas dan menutup dengan cepat. Jangan pernah menjepit atau mengikat pelindung bagian bawah ke posisi terbuka.** Jika gergaji terjatuh dengan tidak sengaja, pelindung bagian bawah dapat bengkok. Naikkan pelindung bagian bawah menggunakan pegangan penarik dan pastikan pelindung bergerak bebas dan tidak menyentuh mata pisau atau bagian lain, dalam semua sudut dan kedalaman potongan.
2. **Periksa pengoperasian pegas pelindung bagian bawah. Jika pelindung dan pegas tidak beroperasi dengan benar, maka pelindung dan pegas harus diservis sebelum digunakan.** Pelindung bagian bawah dapat beroperasi dengan lambat karena ada bagian yang rusak, lapisan yang lengket, atau serpihan.
3. **Pelindung bagian bawah dapat ditarik secara manual hanya untuk pemotongan khusus seperti “potongan plunge” dan “potongan campuran”.** Naikkan pelindung bagian bawah menggunakan pegangan penarik, dan pelindung bagian bawah harus dilepas segera setelah mata pisau memasuki material. Untuk semua penggergajian lainnya, pelindung bagian bawah harus beroperasi secara otomatis.
4. **Selalu perhatikan apakah pelindung bagian bawah menutupi mata pisau sebelum menempatkan gergaji pada bangku atau lantai.** Mata pisau yang tidak terlindung dan meluncur akan menyebabkan gergaji berjalan mundur, memotong apa saja yang ada di jalurnya. Perhatikanlah waktu yang diperlukan mata pisau untuk berhenti setelah sakelar dilepas.
5. **Untuk memeriksa pelindung bagian bawah, buka pelindung bawah dengan tangan lalu lepas dan perhatikan penutupan pelindung.** Periksa juga untuk melihat apakah pegangan penarik tidak menyentuh rumah mesin. Membiarkan mata pisau terbuka adalah hal yang SANGAT BERBAHAYA dan dapat menyebabkan cedera serius.

Peringatan keselamatan tambahan

1. **Berhati-hatilah saat memotong kayu yang basah, kayu balok, atau kayu yang mengandung mata kayu.** Pertahankan laju mesin yang halus tanpa

- mengurangi kecepatan mata pisau untuk menghindari panas berlebih pada ujung mata pisau.
2. **Jangan mencoba menghilangkan material pemotongan saat mata pisau bergerak. Tunggu sampai mata pisau berhenti sebelum memegang material pemotongan.** Mata pisau meluncur setelah dimatikan.
3. **Hindari memotong paku. Periksa dan buang semua paku dari kayu sebelum pengoperasian.**
4. **Tempatkan bagian yang lebih besar dari dudukan gergaji pada bagian benda kerja yang disokong dengan kuat, bukan pada bagian yang akan jatuh saat pemotongan. Jepit benda kerja jika berukuran kecil atau pendek. JANGAN MENCoba MEMEGANG BAGIAN YANG PENDEK DENGAN TANGAN! (Gb. 6)**
5. **Sebelum menyatel mesin setelah menyelesaikan satu potongan, pastikan pelindung telah tertutup dan mata pisau telah benar-benar berhenti.**
6. **Jangan pernah mencoba menggergaji dengan gergaji bundar yang dipasang terbalik pada ragum. Hal ini sangat berbahaya dan dapat mengakibatkan kecelakaan serius. (Gb. 7)**
7. **Bahan tertentu mengandung zat kimia yang mungkin beracun. Hindari menghirup debu dan persentuhan dengan kulit. Ikuti data keselamatan bahan dari pemasok.**
8. **Jangan menghentikan mata pisau dengan tekanan lateral pada mata gergaji.**
9. **Jangan gunakan roda ampelas apa pun.**
10. **Gunakan hanya mata gergaji dengan diameter yang ditandai pada mesin atau ditentukan dalam petunjuk. Menggunakan mata pisau dengan ukuran yang salah akan memengaruhi perlindungan mata pisau atau pengoperasian pelindung yang dapat mengakibatkan cedera serius.**
11. **Jaga mata pisau tetap tajam dan bersih.** Getah dan ter kayu yang mengeras pada mata pisau memperlambat gergaji dan meningkatkan risiko terjadinya hentakan balik. Jaga agar mata pisau tetap bersih dengan melepasnya terlebih dahulu dari mesin, lalu membersihkannya dengan penghilang getah dan ter, air panas atau kerosin. Jangan pernah gunakan bensin.
12. **Gunakan masker debu dan pelindung telinga saat menggunakan mesin.**
13. **Selalu gunakan mata gergaji yang khusus digunakan untuk memotong material yang Anda inginkan.**
14. **Hanya gunakan mata gergaji dengan kecepatan yang sama atau lebih tinggi dari kecepatan yang tertera pada mesin.**
15. **(Hanya untuk negara-negara Eropa)** Gunakan hanya mata pisau yang sesuai dengan EN847-1.

SIMPAN PETUNJUK INI.

⚠ PERINGATAN:

JANGAN biarkan kenyamanan atau terbiasanya Anda dengan produk (karena penggunaan berulang) mengurangi kepatuhan yang ketat terhadap aturan keselamatan untuk produk yang terkait.
PENYALAHGUNAAN atau kelalaian mematuhi kaidah

keselamatan yang tertera dalam petunjuk ini dapat menyebabkan cedera badan serius.

DESKRIPSI FUNGSI

⚠ PERHATIAN:

- Selalu pastikan mesin sudah dimatikan dan stekernya dicabut sebelum menyetel atau memeriksa fungsi mesin.

Menyetel kedalaman pemotongan

⚠ PERHATIAN:

- Setelah menyetel kedalaman pemotongan, selalu kencangkan tuasnya dengan kuat. (Gb. 8)
- Kendurkan tuas pada pemandu kedalaman dan gerakkan alas naik atau turun. Pada kedalaman pemotongan yang diinginkan, kencangkan alas dengan mengencangkan tuas tersebut.

Untuk pemotongan yang lebih bersih dan lebih aman, setel kedalaman pemotongan hingga tidak lebih dari satu gigi roda gergaji menonjol di bawah benda kerja. Menggunakan kedalaman pemotongan yang benar mengurangi potensi TENDANG-BALIK berbahaya yang dapat menimbulkan cedera.

Pemotongan miring (Gb. 9 & 10)

Untuk HS7000

Kendurkan sekrup klem depan dan belakang. Setel ke sudut yang diinginkan (0°-45°) dengan memiringkannya ke sudut tersebut, kemudian kencangkan sekrup klem depan dan belakang kuat-kuat.

Untuk HS7600

Kendurkan sekrup klem. Setel ke sudut yang diinginkan (0°-45°) dengan memiringkannya ke sudut tersebut, kemudian kencangkan sekrup klem kuat-kuat.

Pelurusan (pembidikan)

Untuk HS7000 (Gb. 11)

Untuk HS7600 (Gb. 12)

Untuk pemotongan lurus, luruskan posisi 0° pada bagian depan alas dengan garis pemotongan Anda. Untuk pemotongan miring 45°, luruskan posisi 45° dengan garis pemotongan.

Gerakan sakelar

⚠ PERHATIAN:

- Sebelum menancapkan steker mesin, selalu pastikan bahwa picu sakelar bekerja dengan baik dan kembali ke posisi "OFF" (MATI) saat dilepaskan. (Gb. 13)

Untuk mesin dengan tombol kunci-mati

⚠ PERHATIAN:

- Jangan menarik picu sakelar dengan kuat tanpa menekan tombol kunci-mati. Ini dapat menyebabkan sakelar rusak.

Untuk mencegah picu sakelar tertarik secara tidak disengaja, telah disediakan tombol kunci-mati.

Untuk menjalankan mesin, tekan tombol kunci-mati, lalu tarik picu sakelar. Lepaskan picu sakelar untuk menghentikannya.

⚠ PERINGATAN:

- Demi keselamatan Anda, mesin ini dilengkapi dengan tombol kunci-mati yang mencegah mesin terhidupkan secara tidak disengaja. JANGAN SEKALI-KALI menggunakan mesin jika mesin hidup saat Anda hanya menarik picu sakelarnya tanpa menekan tombol kunci-matinya. Kembalikan mesin ke pusat servis Makita untuk diperbaiki dengan benar SEBELUM digunakan lebih jauh.
- JANGAN SEKALI-KALI memplester atau menonaktifkan tujuan dan fungsi tombol kunci-mati.

Untuk mesin dengan tombol kunci

⚠ PERHATIAN:

- Sakelar dapat dikunci pada posisi "ON" (HIDUP) untuk memudahkan pengguna saat menggunakan mesin dalam waktu lama. Hati-hatilah saat mengunci mesin dalam posisi "ON" (HIDUP) dan genggam mesin kuat-kuat setiap saat.

Untuk menyalakan mesin, cukup tarik picu sakelarnya.

Lepaskan picu sakelar untuk menghentikannya.

Untuk pengoperasian terus-menerus, tarik picu sakelar, tekan masuk tombol kunci, lalu lepaskan picu sakelar.

Untuk menghentikan mesin dari posisi terkunci, tarik picu sakelar sepenuhnya, kemudian lepaskan.

PERAKITAN

⚠ PERHATIAN:

- Selalu pastikan mesin sudah dimatikan dan stekernya dicabut sebelum menyetel atau memeriksa fungsi mesin.

Melepas atau memasang roda gergaji

⚠ PERHATIAN:

- Pastikan roda gergaji terpasang dengan gigi menghadap ke atas di depan mesin.
- Gunakan hanya kunci Makita untuk memasang atau melepas roda gergaji.

Untuk melepas roda gergaji, tekan kunci as sehingga roda tidak dapat berputar dan gunakan kunci pas itu untuk mengendurkan baut hex dengan memutarinya berlawanan arah jarum jam. Lalu lepas baut hex, flensa luar, dan roda gergaji. (Gb. 14)

Saat mengganti roda gergaji, pastikan untuk membersihkan pula pelindung atas dan bawah roda gergaji dari serbuk gergaji yang terakumulasi. Namun, tindakan ini tidak menggantikan perlunya memeriksa kerja pelindung bawah setiap kali sebelum menggunakan mesin. (Gb. 15)

Untuk mesin dengan flensa-dalam untuk roda gergaji selain yang berdiameter-lubang 15,88 mm (Gb. 16)

Flensa dalam memiliki tonjolan berdiameter tertentu pada salah satu sisinya dan tonjolan dengan diameter berbeda pada sisi lainnya. Pilihlah sisi yang benar, yaitu yang tonjolannya terpasang pas sempurna ke dalam lubang roda gergaji.

Selanjutnya, pasang flensa-dalam pada poros pemasangan sehingga sisi tonjolan yang benar pada flensa-dalam menghadap ke luar dan kemudian pasang roda gergaji dan flensa luar.

PASTIKAN ANDA MENGENCANGKAN BAUT HEX SEARAH JARUM JAM DENGAN KUAT.

⚠ PERHATIAN:

- **Pastikan bahwa tonjolan “a” pada flensa dalam yang berada di sisi luar terpasang pas ke dalam lubang roda gergaji “a” dengan sempurna.**

Memasang roda gergaji pada sisi yang salah dapat mengakibatkan getaran yang berbahaya.

Untuk mesin dengan flensa-dalam untuk roda gergaji berdiameter-lubang 15,88 mm (spesifik per negara) (Gb. 17 & 18)

Pasang flensa-dalam dengan sisi berceruk (cekung) menghadap keluar pada poros pemasangan dan kemudian pasang roda gergaji (dengan cincin terpasang jika perlu), flensa luar, dan baut hex.

PASTIKAN ANDA MENGENCANGKAN BAUT HEX SEARAH JARUM JAM DENGAN KUAT.

⚠ PERINGATAN:

- **Sebelum memasang roda gergaji pada spindel, selalu pastikan bahwa cincin yang tepat untuk lubang paksi roda gergaji yang ingin Anda gunakan telah terpasang di antara flensa dalam dan luar.** Penggunaan cincin lubang paksi yang tidak tepat dapat mengakibatkan pemasangan roda gergaji yang kurang baik sehingga menyebabkan timbulnya gerakan roda gergaji dan getaran keras yang dapat mengakibatkan kehilangan kendali selama pengoperasian dan cedera serius.

Penyimpanan kunci hex (Gb. 19)

Bila tidak sedang digunakan, simpanlah kunci hex seperti terlihat dalam gambar agar tidak hilang.

Menghubungkan mesin pembersih vakum (Aksesori tambahan di beberapa negara) (Gb. 20 & 21)

Bila Anda ingin melakukan pekerjaan pemotongan yang bersih, hubungkan mesin pembersih vakum Makita ke mesin Anda.

Pasang nozel debu pada mesin menggunakan sekrapnya. Kemudian hubungkan slang mesin pembersih vakum ke nozel debu seperti terlihat dalam gambar. Untuk mesin yang tidak disertai dengan nozel debu sebagai perlengkapan standar, pindahkan tuas yang terpasang pada pelindung bawah ke pelindung yang dilengkapi dengan nozel debu (aksesori tambahan) pada saat yang sama dengan ketika memasang nozel debu. Jika tidak, Anda tidak akan bisa melakukan pemotongan karena gerakan pelindung bawah akan terhambat oleh nozel debu.

PENGOPERASIAN

⚠ PERHATIAN:

- Pastikan Anda menggerakkan mesin lurus ke depan dan dengan perlahan. Memaksa atau memuntir mesin akan menyebabkan motor kepanasan dan tendang-balik yang berbahaya dan dapat menyebabkan cedera parah.
- Selalu gunakan pegangan depan dan gagang belakang dan pegang mesin kuat-kuat pada pegangan depan dan sekaligus gagang belakang selama mengoperasikannya. **(Gb. 22)**

Pegang mesin dengan kuat. Mesin ini dilengkapi dengan pegangan depan dan sekaligus gagang belakang. Gunakan keduanya untuk mendapat pegangan terbaik atas mesin. Jika tangan Anda keduanya memegang gergaji, roda gergaji tidak akan mungkin dapat mengenainya. Letakkan alas gergaji pada benda kerja yang akan dipotong tanpa membuat roda gergaji menyentuh benda kerja. Lalu nyalakan mesin dan tunggu hingga roda mencapai kecepatan penuh. Sekarang, cukup gerakkan mesin maju di atas permukaan benda kerja, dengan menjaganya tetap mendarat dan maju dengan lancar sampai penggergajian selesai.

Agar pemotongan bersih, jaga agar penggergajian tetap lurus dan kecepatan potong seragam. Jika pemotongan gagal mengikuti garis pemotongan yang diinginkan, jangan mencoba membelokkan atau memaksa mesin kembali ke garis pemotongan. Melakukan hal itu dapat membuat roda gergaji macet dan mengakibatkan tendang-balik yang berbahaya dan kemungkinan cedera serius. Lepaskan sakelar, tunggu roda berhenti, dan kemudian tarik mesin mundur. Luruskan kembali mesin pada garis pemotongan baru, dan mulailah pemotongan kembali. Usahakan untuk menghindari pemosisian yang membuat operator bisa terkena serpihan dan debu kayu yang terlontar dari gergaji. Gunakan pelindung mata untuk membantu menghindari cedera.

Rip fence (Penggaris pemandu) (aksesori tambahan) (Gb. 23)

Rip fence (penggaris pemandu) memungkinkan Anda membuat potongan lurus yang sangat akurat. Cukup geser rip fence (penggaris pemandu) hingga menempel pas pada sisi benda kerja dan amankan pada posisinya dengan sekrap klem di depan alas. Anda juga dapat melakukan pemotongan berulang yang lebarnya seragam.

PERAWATAN

⚠ PERHATIAN:

- Selalu pastikan bahwa sakelar mesin sudah dimatikan dan stekernya dicabut dari stopkontak sebelum mencoba melakukan pemeriksaan atau perawatan.
- **Bersihkan pelindung atas dan bawah untuk memastikan tidak ada akumulasi serbuk gergajian yang dapat menghambat kerja sistem pelindung bawah.** Sistem pelindung yang kotor dapat membatasi pengoperasian yang benar, yang bisa mengakibatkan cedera serius. Cara paling efektif untuk melakukan pembersihan ini adalah dengan udara bertekanan. **Ketika debu sedang ditipu keluar dari pelindung, pastikan bahwa pelindung mata dan pernapasan yang sesuai digunakan.**
- Jangan sekali-kali menggunakan bensin, tiner, alkohol, atau bahan sejenisnya. Penggunaan bahan demikian dapat menyebabkan perubahan warna dan bentuk serta timbulnya retakan.

Menyetel untuk mendapat akurasi pemotongan 0°

Hanya untuk HS7600 (Gb. 24 & 25)

Penyetelan ini telah dilakukan di pabrik. Tetapi jika setelah ini sudah tidak tepat lagi, setel sekrap penyetel dengan

kunci hex sambil memeriksa sudut 0° roda gergaji dengan alas menggunakan penggaris segitiga atau penggaris siku, dll.

Mengganti borstel arang (Gb. 26)

Lepaskan dan periksa borstel arang secara teratur. Ganti bila borstel arang sudah aus mencapai garis batas. Jaga agar borstel arang tetap bersih dan masuk lancar ke tempatnya. Kedua borstel arang harus diganti secara bersamaan. Gunakan hanya borstel arang yang identik. Gunakan obeng untuk melepas tutup borstel arang. Lepaskan borstel arang yang sudah aus, masukkan borstel arang baru, dan kencangkan tutup borstel arang.

(Gb. 27)

Untuk menjaga KEAMANAN dan KEHANDALAN, perbaikan, perawatan atau penyetulan lain harus dilakukan oleh Pusat Servis Resmi Makita dan gunakan selalu suku cadang Makita.

AKSESORI TAMBAHAN

⚠ PERHATIAN:

- Aksesori atau alat tambahan ini dianjurkan untuk digunakan dengan alat Makita milik Anda yang disebutkan dalam buku petunjuk ini. Penggunaan aksesori atau alat tambahan lain dapat menimbulkan risiko cedera pada orang. Gunakan aksesori atau alat tambahan sesuai kegunaannya.

Jika Anda membutuhkan bantuan perihal informasi lebih terperinci mengenai aksesori-aksesori ini, tanyakan kepada Pusat Servis Makita setempat.

- Roda gergaji
- Rip fence (Penggaris pemandu)
- Nozel debu
- Kunci hex

CATATAN:

- Beberapa artikel dalam daftar dapat disertakan dalam kemasan mesin sebagai aksesori standar. Kelengkapan ini dapat berbeda dari satu negara ke negara lainnya.

TIẾNG VIỆT (Hướng dẫn gốc)

Giải thích về hình vẽ tổng thể

- | | | |
|---------------------------|----------------------|--------------------------|
| 1. Lẫy | 10. Siết chặt | 19. Máy hút bụi |
| 2. Vít kẹp | 11. Vành trong | 20. Ống hút bụi |
| 3. Đường cửa (vị trí 0°) | 12. Lưỡi cửa | 21. Thanh cũ (Thanh dẫn) |
| 4. Đường cửa (vị trí 45°) | 13. Vành ngoài | 22. Bệ |
| 5. Bộ khởi động công tắc | 14. Bu lông lục giác | 23. Quy tắc tam giác |
| 6. Núm mở khoá/Nút khoá | 15. Trục lắp | 24. Vạch giới hạn |
| 7. Cờ lê sáu cạnh | 16. Vòng | 25. Tua vít |
| 8. Khoá trục | 17. Ống phun mặt cửa | 26. Nắp giá đỡ chổi than |
| 9. Nối lỏng | 18. Vít | |

THÔNG SỐ KỸ THUẬT

Kiểu máy	HS7000	HS7600	
Đường kính lưỡi cửa	185 mm		
Độ sâu cắt tối đa	ở góc 0°	65 mm	64 mm
	ở góc 45°	43 mm	42 mm
Tốc độ không tải	5.200 min ⁻¹		
Tổng chiều dài	298 mm	309 mm	
Trọng lượng tịnh	3,8 kg	3,6 kg	
Cấp an toàn	□/II		

- Do chương trình nghiên cứu và phát triển liên tục của chúng tôi nên các thông số kỹ thuật dưới đây có thể thay đổi mà không cần thông báo.
- Các thông số kỹ thuật ở mỗi quốc gia có thể khác nhau.
- Trọng lượng theo quy định EPTA-Procedure 01/2014

Ký hiệu END201-7

Phần dưới đây cho biết các ký hiệu được dùng cho thiết bị. Đảm bảo rằng bạn hiểu ý nghĩa của các ký hiệu này trước khi sử dụng.



..... Đọc tài liệu hướng dẫn.



..... CÁCH ĐIỆN KÉP

Mục đích sử dụng ENF078-2

Dụng cụ được dùng để cửa gỗ với các đường cửa thẳng theo chiều dọc và theo đường chéo góc cũng như các đường cửa vát có góc khi vẫn gắn chặt vào phôi gia công. Với lưỡi cửa chính hãng phù hợp của Makita, cũng có thể cửa các vật liệu khác.

Nguồn cấp điện ENF002-2

Dụng cụ này chỉ được nối với nguồn cấp điện có điện áp giống như đã chỉ ra trên biển tên và chỉ có thể được vận hành trên nguồn cung cấp AC một pha. Thiết bị được cách điện kép và do đó cũng có thể được sử dụng từ các ổ cắm mà không cần dây tiếp đất.

Cảnh báo an toàn chung dành cho dụng cụ máy GEA012-2

⚠ CẢNH BÁO: Xin đọc tất cả các cảnh báo an toàn, hướng dẫn, minh họa và thông số kỹ thuật đi kèm với dụng cụ máy này. Việc không tuân theo các hướng dẫn được liệt kê dưới đây có thể dẫn đến điện giật, hỏa hoạn và/hoặc thương tích nghiêm trọng.

Lưu giữ tất cả cảnh báo và hướng dẫn để tham khảo sau này.

Thuật ngữ “dụng cụ máy” trong các cảnh báo để cập đến dụng cụ máy (có dây) được vận hành bằng nguồn điện chính hoặc dụng cụ máy (không dây) được vận hành bằng pin của bạn.

An toàn tại nơi làm việc

1. **Giữ nơi làm việc sạch sẽ và rõ ràng.** Nơi làm việc bừa bộn hoặc tối tăm dễ gây ra tai nạn.
2. **Không vận hành dụng cụ máy trong môi trường cháy nổ, ví dụ như môi trường có sự hiện diện của các chất lỏng, khí hoặc bụi dễ cháy.** Các dụng cụ máy tạo tia lửa điện có thể làm bụi hoặc khí bốc cháy.
3. **Giữ trẻ em và người ngoài tránh xa nơi làm việc khi đang vận hành dụng cụ máy.** Sự xao lãng có thể khiến bạn mất khả năng kiểm soát.

An toàn về Điện

1. **Phích cắm của dụng cụ máy phải khớp với ổ cắm.** Không được sửa đổi phích cắm theo bất kỳ cách nào. Không sử dụng bất kỳ phích chuyển đổi nào với các dụng cụ máy được nối đất (tiếp đất). Các phích cắm còn nguyên vẹn và ổ cắm phù hợp sẽ giảm nguy cơ điện giật.
2. **Tránh để cơ thể tiếp xúc với các bề mặt nối đất hoặc tiếp đất như đường ống, bộ tản nhiệt, bể**

- ga và tủ lạnh.** Nguy cơ bị điện giật sẽ tăng lên nếu cơ thể bạn được nối đất hoặc tiếp đất.
- Không để dụng cụ máy tiếp xúc với mưa hoặc trong điều kiện ẩm ướt.** Nước lọt vào dụng cụ máy sẽ làm tăng nguy cơ điện giật.
 - Không làm dụng cụ dây điện. Không được phép sử dụng dây để mang, kéo hoặc tháo phích cắm dụng cụ máy.** Giữ dây tránh xa nguồn nhiệt, dầu, các mép sắc hoặc các bộ phận động chuyển động. Dây bị hỏng hoặc bị rơi sẽ làm tăng nguy cơ điện giật.
 - Khi vận hành dụng cụ máy ngoài trời, hãy sử dụng dây kéo dài phù hợp cho việc sử dụng ngoài trời.** Việc dùng dây phù hợp cho việc sử dụng ngoài trời sẽ giảm nguy cơ điện giật.
 - Nếu bất ngờ phải vận hành dụng cụ máy ở nơi ẩm ướt, hãy sử dụng nguồn cấp điện được bảo vệ bằng thiết bị ngắt dòng điện rò (RCD).** Việc sử dụng RCD sẽ làm giảm nguy cơ điện giật.
 - Chúng tôi luôn khuyến bạn sử dụng nguồn cấp điện qua thiết bị RCD có thể ngắt dòng điện rò định mức 30 mA hoặc thấp hơn.**
 - Các dụng cụ máy có thể tạo ra từ trường điện (EMF) có hại cho người dùng.** Tuy nhiên, người dùng máy trợ tim và những thiết bị y tế tương tự khác nên liên hệ với nhà sản xuất thiết bị và/hoặc bác sỹ để được tư vấn trước khi vận hành dụng cụ máy.
 - Không chạm vào đầu cắm điện bằng tay ướt.**
 - Nếu dây bị hỏng, hãy nhờ nhà sản xuất hoặc đại lý thay dây mới để tránh nguy hiểm về an toàn.**

An toàn Cá nhân

- Luôn tỉnh táo, quan sát những việc bạn đang làm và sử dụng những phán đoán theo kinh nghiệm khi vận hành dụng cụ máy.** Không sử dụng dụng cụ máy khi bạn đang mệt mỏi hoặc chịu ảnh hưởng của ma túy, rượu hay thuốc. Chỉ một khoảnh khắc không tập trung khi đang vận hành dụng cụ máy cũng có thể dẫn đến thương tích cá nhân nghiêm trọng.
- Sử dụng thiết bị bảo hộ cá nhân.** Luôn đeo thiết bị bảo vệ mắt. Các thiết bị bảo hộ như mặt nạ chống bụi, giày an toàn chống trượt, mũ bảo hộ hay thiết bị bảo vệ thính giác được sử dụng trong các điều kiện thích hợp sẽ giúp giảm thương tích cá nhân.
- Tránh khởi động vô tình dụng cụ máy.** Đảm bảo công tắc ở vị trí off (tắt) trước khi nối nguồn điện và/hoặc bộ pin, cắm hoặc di chuyển dụng cụ máy. Việc di chuyển dụng cụ máy khi đang đặt ngón tay ở vị trí công tắc hoặc cấp điện cho dụng cụ máy đang bật thường dễ gây ra tai nạn.
- Tháo tất cả các khóa hoặc cờ lê điều chỉnh trước khi bật dụng cụ máy.** Việc cờ lê hoặc khóa vẫn còn gắn vào bộ phận quay của dụng cụ máy có thể dẫn đến thương tích cá nhân.
- Không với quá cao.** Luôn giữ thăng bằng tốt và có chỗ để chân phù hợp. Điều này cho phép điều khiển dụng cụ máy tốt hơn trong những tình huống bất ngờ.
- Ăn mặc phù hợp.** Không mặc quần áo rộng hay đeo đồ trang sức. Giữ tóc và quần áo tránh xa các bộ phận chuyển động. Quần áo rộng, đồ

trang sức hay tóc dài có thể mắc vào các bộ phận chuyển động.

- Nếu các thiết bị được cung cấp để kết nối các thiết bị thu gom và hút bụi, hãy đảm bảo chúng được kết nối và sử dụng hợp lý.** Việc sử dụng thiết bị thu gom bụi có thể làm giảm những mối nguy hiểm liên quan đến bụi.
 - Không vì quen thuộc do thường xuyên sử dụng các dụng cụ mà cho phép bạn trở nên tự mãn và bỏ qua các nguyên tắc an toàn dụng cụ.** Một hành động bất cẩn có thể gây ra thương tích nghiêm trọng trong một phần của một giây.
 - Luôn luôn mang kính bảo hộ để bảo vệ mắt khỏi bị thương khi đang sử dụng các dụng cụ máy.** Kính bảo hộ phải tuân thủ ANSI Z87.1 ở Mỹ, EN 166 ở Châu Âu, hoặc AS/NZS 1336 ở Úc/New Zealand. Tại Úc/New Zealand, theo luật pháp, bạn cũng phải mang mặt nạ che mặt để bảo vệ mặt. (Hình 1)
- Trách nhiệm của chủ lao động là bắt buộc người vận hành dụng cụ và những người khác trong khu vực làm việc cạnh đó phải sử dụng các thiết bị bảo hộ an toàn thích hợp.

Sử dụng và bảo quản dụng cụ máy

- Không dùng lực đối với dụng cụ máy.** Sử dụng đúng dụng cụ máy cho công việc của bạn. Sử dụng đúng dụng cụ máy sẽ giúp thực hiện công việc tốt hơn và an toàn hơn theo giá trị định mức được thiết kế của dụng cụ máy đó.
- Không sử dụng dụng cụ máy nếu công tắc không bật và tắt được dụng cụ máy đó.** Mọi dụng cụ máy không thể điều khiển được bằng công tắc đều rất nguy hiểm và phải được sửa chữa.
- Rút phích cắm ra khỏi nguồn điện và/hoặc tháo kết nối bộ pin khỏi dụng cụ máy, nếu có thể tháo rời trước khi thực hiện bất kỳ công việc điều chỉnh, thay đổi phụ tùng hay cắt giữ dụng cụ máy nào.** Những biện pháp an toàn phòng ngừa này sẽ giảm nguy cơ vô tình khởi động dụng cụ máy.
- Cắt giữ các dụng cụ máy không sử dụng ngoài tầm với của trẻ em và không cho bất kỳ người nào không có hiểu biết về dụng cụ máy hoặc các hướng dẫn này vận hành dụng cụ máy.** Dụng cụ máy sẽ rất nguy hiểm nếu được sử dụng bởi những người dùng chưa qua đào tạo.
- Bảo dưỡng dụng cụ máy và các phụ kiện.** Kiểm tra tình trạng lịch thực hoặc bộ kẹp của các bộ phận chuyển động, hiện tượng nứt vỡ của các bộ phận và mọi tình trạng khác mà có thể ảnh hưởng đến hoạt động của dụng cụ máy. Nếu có hỏng hóc, hãy sửa chữa dụng cụ máy trước khi sử dụng. Nhiều tai nạn xảy ra là do không bảo quản tốt dụng cụ máy.
- Luôn giữ cho dụng cụ cắt được sắc bén và sạch sẽ.** Những dụng cụ cắt được bảo quản tốt có mép cắt sắc sẽ ít bị kẹt hơn và dễ điều khiển hơn.
- Sử dụng dụng cụ máy, phụ tùng và đầu dụng cụ cắt, v.v... theo các hướng dẫn này, có tính đến điều kiện làm việc và công việc được thực hiện.** Việc sử dụng dụng cụ máy cho các công việc khác với công việc dự định có thể gây nguy hiểm.
- Giữ tay cầm và bề mặt tay cầm khô, sạch, không dính dầu và mỡ.** Tay cầm trơn trượt và bề

mặt tay cầm không cho phép xử lý an toàn và kiểm soát dụng cụ trong các tình huống bất ngờ.

9. **Khi sử dụng dụng cụ, không được đi giày tay lao động bằng vải, có thể bị vướng.** Việc căng tay lao động bằng vải vướng vào các bộ phận chuyển động có thể gây ra thương tích cá nhân.

Bảo dưỡng

1. **Để nhân viên sửa chữa đủ trình độ bảo dưỡng dụng cụ máy của bạn và chỉ sử dụng các bộ phận thay thế đồng nhất.** Việc này sẽ đảm bảo duy trì được độ an toàn của dụng cụ máy.
2. **Tuân theo hướng dẫn dành cho việc bôi trơn và thay phụ tùng.**

CẢNH BÁO AN TOÀN DÀNH CHO MÁY CỬA ĐĨA

GEB133-2

Quy trình cắt

1. **⚠ NGUY HIỂM: Để tay tránh xa khu vực cắt và lưỡi cắt. Để tay thứ hai của bạn lên tay cầm phụ hoặc vỏ động cơ.** Nếu cầm cửa bằng cả hai tay thì lưỡi cắt sẽ không thể cắt vào tay.
2. **Không đưa tay xuống bên dưới phôi gia công.** Phân bảo vệ không thể bảo vệ bạn khỏi lưỡi cắt ở bên dưới phôi gia công.
3. **Điều chỉnh độ sâu cắt theo độ dày của phôi gia công.** Phải thấy được một phần răng của phía dưới phôi gia công.
4. **Không được cầm phôi gia công trong tay hoặc để chéo qua chân bạn khi cắt. Cố định phôi gia công vào một bề vững chắc.** Điều quan trọng là phải đỡ phôi gia công đúng cách để giảm thiểu khả năng tiếp xúc với cơ thể, hiện tượng bó kẹt lưỡi cắt hoặc mất kiểm soát. **(Hình 2)**
5. **Chỉ cầm dụng cụ máy bằng bề mặt kẹp cách điện khi thực hiện thao tác, trong đó dụng cụ cắt có thể tiếp xúc với dây dẫn kín hoặc dây của chính nó.** Tiếp xúc với dây dẫn "có điện" có thể khiến các bộ phận kim loại bị hở của dụng cụ máy "có điện" và có thể làm cho người vận hành bị điện giật.
6. **Khi cắt dọc, luôn sử dụng thanh cữ hoặc thước dẫn hướng thẳng.** Điều này giúp cải thiện độ chính xác của đường cắt và giảm nguy cơ bó kẹt lưỡi cắt.
7. **Luôn sử dụng lưỡi cắt có kích thước và hình dạng (hình thoi và hình tròn) của lỗ tâm chính xác.** Những lưỡi cắt không khớp với phần cứng lắp ráp của cửa sẽ chạy lệch tâm, gây mất kiểm soát.
8. **Không được sử dụng các vòng đệm bu-lông lưỡi cắt bị hỏng hoặc không đúng.** Bu-lông và các vòng đệm lưỡi cắt được thiết kế dành riêng cho máy cắt của bạn, để tối đa hóa hiệu năng và độ an toàn hoạt động.

Nguyên nhân bật ngược và các cảnh báo liên quan

- bật ngược trở lại là hiện tượng phản lực đột ngột khi lưỡi của bị bó, bật lên hoặc bị lệch khiến cho máy cắt bị mất kiểm soát, bật lên và rời khỏi phôi gia công, hướng về phía người vận hành;
- khi lưỡi cắt bị bó hoặc bật lên do rãnh của bị đóng lại, lưỡi cắt sẽ ngừng chạy và phần lực của động cơ sẽ khiến cho thiết bị bật nhanh ngược trở lại người vận hành;

- nếu lưỡi cắt bị xoắn hoặc bị lệch khi cắt, răng ở mặt sau lưỡi cắt có thể cắm sâu vào mặt trên của gỗ khiến cho lưỡi cắt chệch ra ngoài vết cắt và bật ngược trở lại người vận hành.

Hiện tượng bật ngược lại là do sử dụng sai cửa và/hoặc quy trình hoặc tình trạng vận hành không chính xác và có thể tránh được bằng cách thực hiện các biện pháp phòng ngừa thích hợp dưới đây.

1. **Luôn cầm chặt cửa bằng cả hai tay và đặt cánh tay của bạn ở vị trí có thể chịu đựng được các lực bật ngược lại. Để thân của bạn ở vị trí một trong hai phía của lưỡi cắt nhưng không được thẳng hàng với lưỡi cắt.** Hiện tượng bật ngược lại có thể khiến cửa bật ngược về phía sau nhưng người vận hành có thể kiểm soát được lực bật ngược lại nếu thực hiện các biện pháp phòng ngừa thích hợp.
2. **Khi lưỡi cắt bị bó kẹt hoặc khi đường cắt bị gián đoạn vì bất kỳ lý do nào, hãy nhả bộ khởi động và giữ của đúng im trong trạng thái chờ đến khi lưỡi cắt hoàn toàn dừng lại. Không được cố gỡ cửa ra khỏi sản phẩm hoặc kéo của về phía sau khi lưỡi cắt vẫn đang chuyển động nếu không có thể xảy ra hiện tượng bật ngược lại.** Kiểm tra và tiến hành khắc phục để loại bỏ nguyên nhân gây bó kẹt lưỡi cắt.
3. **Khi khởi động lại cửa trong phôi gia công, đặt lưỡi của vào giữa rãnh của sao cho các răng của không được mắc vào vật liệu.** Nếu lưỡi của bị kẹt, nó có thể bật lên hoặc bật ngược lại khỏi phôi gia công khi cửa được khởi động lại.
4. **Đỡ tấm ván lớn để giảm thiểu nguy cơ bó lưỡi cắt và bật ngược lại.** Tấm ván lớn thường có xu hướng võng xuống do trọng lượng của nó. Phải đặt các giá đỡ dưới tấm ván ở cả hai phía, gần đường cắt và gần cạnh của tấm ván. **(Hình 3 & 4)**
5. **Không sử dụng lưỡi cắt bị cùn hoặc bị hư hỏng.** Lưỡi cắt không được mài sắc hoặc được điều chỉnh không đúng cách sẽ tạo ra vết cắt hẹp, gây ra ma sát quá lớn, bó kẹt lưỡi cắt cũng như hiện tượng bật ngược lại.
6. **Phải vận chặt và cố định các lẫy khóa điều chỉnh góc và độ sâu lưỡi cắt trước khi cắt.** Nếu điều chỉnh lưỡi cắt thay đổi khi đang cắt thì có thể gây ra bó kẹt và bật ngược lại.
7. **Đặc biệt cẩn trọng khi cửa vào các tường có sắt hoặc các vũng khó nhìn khác.** Lưỡi cắt nhỏ ra có thể cắt phải các vật có khả năng gây nên hiện tượng bật lại.
8. **LUÔN cầm chắc dụng cụ bằng cả hai tay. KHÔNG đặt tay, chân hoặc bất kỳ bộ phận nào của cơ thể bạn ở bên dưới để dụng cụ hoặc phía sau cửa, đặc biệt là khi cắt ngang.** Nếu xảy ra hiện tượng bật ngược lại, cửa có thể dễ dàng bật lại phía sau qua tay của bạn, dẫn đến thương tích cá nhân nghiêm trọng. **(Hình 5)**
9. **Không được ấn mạnh cửa. Đẩy của về phía trước ở tốc độ sao cho lưỡi cắt không bị chậm.** Ấn mạnh cửa có thể khiến cho đường cắt gỗ ghé, mất độ chính xác và có thể xảy ra hiện tượng bật ngược lại.

Chức năng của phần bảo vệ

1. **Kiểm tra phần bảo vệ dưới xem đã đóng đúng chưa trước mỗi lần sử dụng. Không vận hành**

- máy của nếu phần bảo vệ dưới không di chuyển tự do và đóng ngay tức khắc. Không kẹp hoặc buộc phần bảo vệ dưới ở vị trí mở. Nếu vô tình đánh rơi cửa thì phần bảo vệ dưới có thể bị cong. Nâng phần bảo vệ dưới có tay cầm co rút được lên và đảm bảo phần bảo vệ di chuyển tự do và không chạm vào lưỡi của hay bất kỳ bộ phận nào khác, ở tất cả các góc và chiều sâu cắt.
- Kiểm tra hoạt động của lò xo phần bảo vệ dưới. Nếu phần bảo vệ và lò xo không hoạt động đúng, chúng phải được bảo trì trước khi sử dụng.** Phần bảo vệ dưới có thể hoạt động chậm do các bộ phận bị hư hỏng, cần bám dính hoặc các mảnh vụn tích tụ.
 - Phần bảo vệ dưới chỉ có thể tự chỉnh co rút bằng tay đối với các vết cắt đặc biệt như “cắt chìm” và “cắt hỗn hợp”.** Nâng phần bảo vệ dưới bằng tay cầm co rút được và ngay khi lưỡi của đi vào vật liệu, phần bảo vệ dưới phải được nhả ra. Đối với tất cả thao tác của khác, phần bảo vệ dưới nên vận hành tự động.
 - Luôn chú ý xem phần bảo vệ dưới đã che lưỡi cắt hay chưa trước khi đặt cửa lên ghế hoặc sàn nhà.** Lưỡi cắt không được bảo vệ, theo đà quán tính sẽ khiến cửa chuyển động ngược về phía sau, cắt bất kể thứ gì trên đường đi của nó. Chú ý thời gian cần thiết để lưỡi cắt dừng sau khi nhả công tắc.
 - Để kiểm tra phần bảo vệ dưới, dùng tay mở phần bảo vệ dưới ra, sau đó thả ra và theo dõi phần bảo vệ đóng lại. Đồng thời kiểm tra để thấy rằng tay cầm co rút được không chạm vào vỏ dụng cụ.** Để lưỡi cắt hở là RẤT NGUY HIỂM và có thể dẫn đến thương tích cá nhân nghiêm trọng.

Cảnh báo an toàn bổ sung

- Đặc biệt cẩn trọng khi cắt gỗ ẩm, gỗ ép hoặc gỗ có mấu.** Duy trì bước tiến của dụng cụ nhẹ nhàng mà không làm giảm tốc độ lưỡi cắt để tránh làm quá nhiệt các đầu lưỡi cắt.
- Không cố gờ vật liệu bị cắt khi lưỡi cắt đang chuyển động.** Chờ cho tới khi lưỡi cắt dừng lại trước khi nắm lấy vật liệu bị cắt. Lưỡi cắt chạy theo đà quán tính sau khi tắt.
- Tránh cắt dính.** Kiểm tra và tháo toàn bộ dính khỏi gỗ trước khi cắt.
- Đặt phần rộng hơn của bệ cửa lên phần phi gia công được đỡ chắc chắn, không đặt lên phần sẽ rơi xuống sau khi thực hiện cắt.** Nếu phi gia công ngắn hoặc nhỏ, hãy kẹp chặt nó xuống. **KHÔNG CỐ GIỮ CÁC MẤU GỖ NGẮN BẰNG TAY!** (Hình 6)
- Trước khi đặt dụng cụ xuống sau khi cắt xong, hãy đảm bảo rằng phần bảo vệ dưới đã đóng và lưỡi cắt đã dừng hẳn.**
- Không được cố cửa bằng máy của đĩa được kẹp lộn ngược trong dụng cụ kẹp.** Điều này cực kỳ nguy hiểm và có thể dẫn tới những tai nạn nghiêm trọng. (Hình 7)
- Một số vật liệu có thể chứa hóa chất độc hại. Phải cẩn trọng tránh hít phải bụi và để tiếp xúc với da.** Tuân theo dữ liệu an toàn của nhà cung cấp vật liệu.
- Không dùng lưỡi cắt bằng áp lực bên lên lưỡi của.**

- Không sử dụng bất kỳ đĩa mài nào.**
- Chỉ sử dụng lưỡi của có đường kính được đánh dấu trên dụng cụ hoặc được chỉ định trong hướng dẫn.** Sử dụng lưỡi của có kích thước không đúng có thể ảnh hưởng đến phần bảo vệ và tăng khả năng của lưỡi của hoặc hoạt động của phần bảo vệ, có thể dẫn đến thương tích nghiêm trọng.
- Giữ lưỡi cắt sắc và sạch.** Chất dính và nhựa gỗ bám chặt trên lưỡi cắt làm chậm cửa và tăng khả năng xảy ra hiện tượng bật ngược lại. Giữ lưỡi cắt sạch bằng cách trước tiên tháo lưỡi cắt ra khỏi dụng cụ sau đó lau sạch lưỡi cắt bằng chất tẩy chất dính và nhựa, nước nóng hoặc dầu hỏa. Không được sử dụng xăng.
- Đeo mặt nạ chống bụi và thiết bị bảo vệ thính giác khi sử dụng dụng cụ.**
- Luôn sử dụng lưỡi của được thiết kế để cắt các vật liệu mà bạn sẽ cắt.**
- Chỉ sử dụng lưỡi của có ghi tốc độ bằng hoặc cao hơn tốc độ ghi trên dụng cụ.**
- (Chỉ đối với các quốc gia Châu Âu)**
Luôn sử dụng lưỡi của tuân thủ theo EN847-1.

LƯU GIỮ CÁC HƯỚNG DẪN NÀY.

⚠ CẢNH BÁO:

KHÔNG vì đã thoải mái hay quen thuộc với sản phẩm (có được do sử dụng nhiều lần) mà không tuân thủ nghiêm ngặt các quy định về an toàn dành cho sản phẩm này. **VIỆC DÙNG SAI** hoặc không tuân theo các quy định về an toàn được nêu trong tài liệu hướng dẫn này có thể dẫn đến thương tích cá nhân nghiêm trọng.

MÔ TẢ CHỨC NĂNG

⚠ THẬN TRỌNG:

- Luôn đảm bảo rằng dụng cụ đã được tắt và rút phích cắm trước khi điều chỉnh hoặc kiểm tra chức năng trên dụng cụ.

Điều chỉnh độ sâu cắt

⚠ THẬN TRỌNG:

- Sau khi điều chỉnh độ sâu cắt, luôn vận chặt lấy. (Hình 8)

Nới lỏng lấy trên thanh dẫn độ sâu và di chuyển bệ lên hoặc xuống. Ở độ sâu cắt mong muốn, cố định bệ bằng cách vận chặt lấy.

Để đường cửa bên thẳng và an toàn hơn, điều chỉnh độ sâu cắt sao cho không quá một răng cửa nhô ra bên dưới phi gia công. Sử dụng độ sâu cắt chính xác giúp giảm khả năng xảy ra các HIỆN TƯỢNG BẬT NGƯỢC LẠI nguy hiểm có thể gây thương tích cá nhân.

Cửa vát (Hình 9 & 10)

Đối với HS7000

Nới lỏng vít kẹp trước và sau. Điều chỉnh góc mong muốn (0° - 45°) bằng cách nghiêng đĩa tương ứng, sau đó vận chặt các vít kẹp trước và sau.

Đối với HS7600

Nới lỏng vít kẹp. Điều chỉnh góc mong muốn ($0^\circ - 45^\circ$) bằng cách nghiêng đĩa tương ứng, sau đó vặn chặt các vít kẹp.

Ngắm

Đối với HS7000 (Hình 11)

Đối với HS7600 (Hình 12)

Đề cua thẳng, gióng vị trí 0° ở phía trước bệ thẳng hàng với đường cua. Đề cua vát 45° , gióng vị trí 45° thẳng hàng với đường cua.

Thao tác với công tắc

⚠ THẬN TRỌNG:

- Trước khi cắm điện cho dụng cụ, luôn kiểm tra để thấy rằng bộ khởi động công tắc khởi động đúng và trở về vị trí "TẮT" khi nhả ra. (Hình 13)

Đối với dụng cụ có nút mở khoá

⚠ THẬN TRỌNG:

- Không kéo bộ khởi động công tắc mạnh mà không ấn vào nút mở khoá. Điều này có thể gây hỏng công tắc.

Để ngăn bộ khởi động công tắc bị kéo vô tình, nút mở khoá được trang bị.

Để khởi động dụng cụ, ấn vào nút mở khoá và kéo bộ khởi động công tắc. Nhả bộ khởi động công tắc để dừng.

⚠ CẢNH BÁO:

- Để an toàn cho bạn, dụng cụ này được trang bị nút mở khoá giúp ngăn dụng cụ bị khởi động vô tình. KHÔNG BAO GIỜ sử dụng dụng cụ này nếu nó chạy khi bạn chỉ kéo bộ khởi động công tắc mà không ấn nút mở khoá. Trả lại dụng cụ đến trung tâm dịch vụ Makita để sửa chữa TRƯỚC KHI tiếp tục sử dụng.
- KHÔNG BAO GIỜ cuộn xuống hay làm sai mục đích và chức năng của nút mở khoá.

Đối với dụng cụ có nút mở khoá

⚠ THẬN TRỌNG:

- Có thể khoá công tắc ở vị trí "BẬT" để thuận tiện cho người vận hành khi sử dụng trong thời gian dài. Hãy thận trọng khi khoá dụng cụ ở vị trí "BẬT" và luôn cầm chắc dụng cụ.

Để khởi động dụng cụ, chỉ cần kéo bộ khởi động công tắc. Nhả bộ khởi động công tắc để dừng.

Để hoạt động liên tục, hãy kéo bộ khởi động công tắc và đẩy nút khoá vào rồi nhả bộ khởi động công tắc. Để dừng dụng cụ ở vị trí khoá, hãy kéo bộ khởi động công tắc hết cỡ rồi nhả ra.

QUÁ TRÌNH LẮP RÁP

⚠ THẬN TRỌNG:

- Luôn chắc chắn đã tắt và tháo phích cắm dụng cụ trước khi điều chỉnh hoặc kiểm tra chức năng trên dụng cụ.

Tháo hoặc lắp lưỡi cưa

⚠ THẬN TRỌNG:

- Đảm bảo lắp lưỡi cưa có răng cưa hướng lên trên ở phía trước của dụng cụ.
- Chỉ sử dụng cờ lê Makita để lắp hoặc tháo lưỡi cưa. Để tháo lưỡi cưa, ấn khoá trục sao cho lưỡi cưa không thể quay và sử dụng cờ lê để nới lỏng bu lông lục giác ngược chiều kim đồng hồ. Sau đó tháo bu lông lục giác, vành ngoài và lưỡi cưa. (Hình 14) Khi thay lưỡi cưa, cũng hãy nhớ lau sạch mùn cưa tích tụ ở phần bảo vệ trên và dưới lưỡi cưa. Tuy nhiên, làm như vậy cũng không thay thế được việc cần phải kiểm tra hoạt động của phần bảo vệ dưới trước mỗi lần sử dụng. (Hình 15)

Đối với dụng cụ có vành trong dành cho lưỡi cưa có đường kính lỗ khác 15,88 mm (Hình 16)

Vành trong có một phần nhô ra có đường kính cố định trên một mặt và phần nhô ra có đường kính khác trên mặt còn lại. Chọn đúng mặt có phần nhô ra vừa khít với lỗ trên lưỡi cưa.

Sau đó, lắp vành trong vào trục lắp sao cho mặt đúng của phần nhô ra trên các mặt của vành trong hướng ra ngoài, sau đó lắp lưỡi cưa và vành ngoài.

ĐẢM BẢO VẶN CHẶT BU LÔNG LỤC GIÁC THEO CHIỀU KIM ĐỒNG HỒ.

⚠ THẬN TRỌNG:

- **Đảm bảo rằng phần nhô ra "a" trên vành trong có vị trí ở ngoài vừa khít với lỗ trên lưỡi cưa "a".** Lắp lưỡi cưa sai mặt có thể dẫn đến chuyển động nguy hiểm.

Đối với dụng cụ có vành trong dành cho lưỡi cưa có đường kính lỗ 15,88 mm (cụ thể theo quốc gia) (Hình 17 & 18)

Lắp vành trong có mặt lõm hướng ra ngoài vào trục lắp, sau đó lắp lưỡi cưa (với vòng được gắn nếu cần), vành ngoài và bu lông lục giác.

ĐẢM BẢO VẶN CHẶT BU LÔNG LỤC GIÁC THEO CHIỀU KIM ĐỒNG HỒ.

⚠ CẢNH BÁO:

- **Trước khi lắp lưỡi cưa vào trục quay, luôn đảm bảo rằng bạn lắp đúng vòng dành cho lỗ tâm của lưỡi cưa định sử dụng giữa vành trong và vành ngoài.** Sử dụng không đúng vòng dành cho lỗ tâm có thể dẫn đến việc lắp sai lưỡi cưa, khiến lưỡi cưa chuyển động và rung mạnh dẫn đến khả năng mất kiểm soát trong quá trình vận hành cũng như thương tích cá nhân nghiêm trọng.

Cắt giữ cờ lê sáu cạnh (Hình 19)

Khi không sử dụng, cắt giữ cờ lê sáu cạnh như được minh họa trong hình để tránh làm mất.

Kết nối máy hút bụi (Phụ kiện tùy chọn ở một số quốc gia) (Hình 20 & 21)

Khi bạn muốn thực hiện thao tác cắt đẹp, hãy kết nối máy hút bụi Makita với dụng cụ của bạn. Lắp ống phun mặt của trên dụng cụ bằng cách sử dụng đinh vít. Sau đó, kết nối ống hút bụi của máy hút bụi với ống phun mặt của như minh họa trong hình vẽ. Đối với dụng cụ không có ống phun mặt của được cung cấp như thiết bị tiêu chuẩn, hãy thay thế cần

được cố định trên tấm bảo vệ phía dưới với cần được cung cấp cùng với ống phun mặt của (phụ kiện tùy chọn) cùng lúc khi lắp ống phun mặt của. Nếu không, bạn sẽ không thể cắt vi di chuyển của tấm bảo vệ phía dưới bị ống phun mặt của cản trở.

VẬN HÀNH

THẬN TRỌNG:

- Đảm bảo di chuyển dụng cụ nhẹ nhàng về phía trước theo một đường thẳng. Ấn mạnh hoặc làm xoắn dụng cụ sẽ dẫn đến động cơ quá nhiệt và hiện tượng bật ngược lại nguy hiểm, có thể gây thương tích nghiêm trọng.
- Luôn sử dụng tay nắm trước và tay cầm sau và cầm dụng cụ chắc chắn bằng cả tay nắm trước và tay cầm sau trong khi vận hành. **(Hình 22)**

Cắm chắc dụng cụ. Dụng cụ được cung cấp cùng với cả tay nắm trước và tay cầm sau. Sử dụng cả hai để nắm chặt dụng cụ. Nếu cầm của bằng cả hai tay thì lưỡi của sẽ không thể cắt vào tay. Đặt bệ lên phôi gia công chuẩn bị của mà không để lưỡi của có bất kỳ tiếp xúc nào. Sau đó bật dụng cụ và chờ cho tới khi lưỡi của đạt đến tốc độ tối đa. Giữ chỉ cần di chuyển dụng cụ về phía trước qua bệ mặt phôi gia công, giữ dụng cụ ngang bằng và chuyển động nhẹ nhàng về phía trước cho tới khi cưa xong.

Để có đường cưa bẻn thẳng, giữ cho đường cưa thẳng và tốc độ chuyển động tiến không thay đổi. Nếu đường cắt không theo đúng đường cắt mà bạn đã định, dừng cố đổi hướng hoặc bắt dụng cụ trở lại đường cắt đó. Làm như vậy có thể bỏ kẹt lưỡi của và dẫn tới hiện tượng bật ngược lại nguy hiểm và có thể xảy ra thương tích nghiêm trọng. Nhả công tắc, chờ cho lưỡi của dừng, sau đó rút dụng cụ ra. Đặt thẳng lại dụng cụ trên đường cắt mới và bắt đầu cắt lại. Cố tránh đứng ở vị trí mà các mẩu gỗ nhỏ và mặt của từ của có thể bắn vào người vận hành. Sử dụng thiết bị bảo vệ mặt để tránh thương tích.

Thanh cũ (Thước dẫn) (phụ tùng tùy chọn) (Hình 23)

Thanh cũ dễ sử dụng cho phép bạn thực hiện những đường cưa thẳng chính xác hơn. Chỉ cần trượt thanh cũ một cách thoải mái áp với cạnh của phôi gia công và cố định nó bằng vít kẹp ở phía trước bệ. Ngoài ra, thanh cũ có thể giúp tạo ra các đường cưa lặp lại với độ rộng đồng đều.

BẢO DƯỠNG

THẬN TRỌNG:

- Luôn đảm bảo rằng đã tắt dụng cụ và rút phích cắm trước khi cố gắng thực hiện kiểm tra hoặc bảo dưỡng.
- Lau sạch phần bảo vệ trên và dưới để đảm bảo không có mùn của tích tụ có thể cản trở hoạt động của hệ thống bảo vệ dưới. Phần bảo vệ bẩn có thể hạn chế vận hành đúng cách, dẫn đến thương tích cá nhân nghiêm trọng. Cách hiệu quả nhất để thực hiện việc làm sạch này là sử dụng khí nén. **Nếu bụi bay ra khỏi phần bảo vệ, hãy sử dụng thiết bị bảo vệ mắt và tai phù hợp.**

- Không bao giờ dùng xăng, ét xăng, dung môi, cồn hoặc hóa chất tương tự. Có thể xảy ra hiện tượng mất màu, biến dạng hoặc nứt vỡ.

Điều chỉnh độ chính xác của đường cưa 0°

Đối với HS7600 (Hình 24 & 25)

Việc điều chỉnh này đã được thực hiện tại nhà máy. Nhưng nếu bị tắt, hãy điều chỉnh vít điều chỉnh bằng cờ lê sáu cạnh trong khi kiểm tra góc 0° mà lưỡi của tạo với bề bằng quy tắc tam giác hoặc quy tắc hình vuông, v.v.

Thay chổi than (Hình 26)

Tháo và kiểm tra chổi than thường xuyên. Thay chổi than khi chúng bị mòn dưới vạch giới hạn. Giữ chổi than sạch và tự do trượt vào các giá đỡ. Cả hai chổi than nên được thay cùng một lúc. Chỉ sử dụng các chổi than giống nhau.

Sử dụng tua vít để tháo nắp giữ chổi than. Tháo chổi than đã mòn ra, lắp chổi than mới và cố định nắp giữ chổi than. **(Hình 27)**

Để duy trì ĐỘ AN TOÀN và ĐỘ TIN CẬY của sản phẩm, việc sửa chữa, bảo dưỡng hoặc bất kỳ điều chỉnh nào khác đều phải do Trung tâm Bảo trì Được ủy quyền của Makita thực hiện, luôn sử dụng các bộ phận thay thế của Makita.

PHỤ KIỆN TỰY CHỌN

THẬN TRỌNG:

- Các phụ tùng hoặc phụ kiện này được khuyến nghị sử dụng với dụng cụ Makita của bạn được chỉ định trong tài liệu này. Việc sử dụng bất kỳ phụ tùng hoặc phụ kiện nào khác có thể dẫn đến rủi ro thương tích cho con người. Chỉ sử dụng phụ tùng hoặc phụ kiện với mục đích được nêu.

Nếu bạn cần bất kỳ sự hỗ trợ nào để biết thêm chi tiết về các phụ tùng này, hãy hỏi Trung tâm Bảo trì Makita tại địa phương của bạn.

- Lưỡi của
- Thanh cũ (Thước dẫn)
- Ống phun mặt của
- Cờ lê sáu cạnh

CHÚ Ý:

- Một số mục trong danh sách có thể được bao gồm trong gói dụng cụ làm các phụ kiện chuẩn. Các mục này ở mỗi quốc gia có thể khác nhau.

คำอธิบายเกี่ยวกับมุมมองทั่วไป

- | | | |
|----------------------------|----------------------|-----------------------------|
| 1. คันโยก | 10. ชันให้แน่น | 19. เครื่องดูดฝุ่น |
| 2. สกรูยึด | 11. หน้าแปลนด้านใน | 20. ท่อดูด |
| 3. แนวการตัด (ตำแหน่ง 0°) | 12. โบเลื่อย | 21. แผ่นนำตัด (ไม่มีบรรทัด) |
| 4. แนวการตัด (ตำแหน่ง 45°) | 13. หน้าแปลนด้านนอก | 22. ฐาน |
| 5. ไกสวิตช์ | 14. โบลต์หกเหลี่ยม | 23. ไม้จากรูปสามเหลี่ยม |
| 6. ปุ่มปลดล็อก/ปุ่มล๊อค | 15. เพลายึด | 24. เครื่องหมายขีดจำกัด |
| 7. ประแจหกเหลี่ยม | 16. แหวน | 25. ไชควาง |
| 8. ล็อคเพลา | 17. หัวยึดก้ำจัดฝุ่น | 26. ฝาปิดช่องใส่แปรง |
| 9. คลายออก | 18. สกรู | |


ข้อมูลทางเทคนิค


รุ่น	HS7000	HS7600
เส้นผ่านศูนย์กลางของโบเลื่อย	185 มม.	
ความลึกสูงสุดในการตัด	ที่ 0°	65 มม.
	ที่ 45°	43 มม.
ความเร็วขณะเดินเครื่องเปล่า	5,200 นาที ⁻¹	
ความยาวทั้งหมด	298 มม.	309 มม.
น้ำหนักสุทธิ	3.8 กก.	3.6 กก.
ระดับความปลอดภัย	□/II	

- เนื่องจากจากวิจัยและการพัฒนาของเราเป็นแผนงานต่อเนื่อง ดังนั้นข้อมูลเทคนิคที่ระบุในเอกสารนี้อาจมีการเปลี่ยนแปลงโดยไม่ต้องแจ้งให้ทราบล่วงหน้า
- ข้อมูลเทคนิคอาจแตกต่างกันในแต่ละประเทศ
- น้ำหนักตามข้อบังคับของ EPTA 01/2014

สัญลักษณ์ END201-7

ต่อไปนี้เป็นสัญลักษณ์ที่ใช้สำหรับอุปกรณ์ โปรดศึกษาความหมายของสัญลักษณ์ให้เข้าใจก่อนการใช้งาน

 อ่านคู่มือการใช้งาน

 จนวนหุ้มสองชั้น

วัตถุประสงค์การใช้งาน ENE078-2

เครื่องมือนี้ใช้สำหรับทำการตัดแนวตรงตามแนวยาวและแนวขวาง และการตัดแบบมีองศาในไม้ ขณะสัมผัสกับชิ้นงานอย่างแนบสนิท ถ้าใช้โบเลื่อยของแท้ที่เหมาะสมจาก Makita จะสามารถตัดวัสดุอื่นๆ ได้อีกด้วย

การจ่ายไฟ ENF002-2

ต้องเชื่อมต่อเครื่องมือกับเครื่องจ่ายไฟที่มีแรงเคลื่อนไฟฟ้าตามที่ระบุไว้ในป้ายข้อมูลเครื่องจักร และจะต้องใช้ไฟฟ้ากระแสสลับ

แบบเฟสเดียวเท่านั้น เครื่องนี้มีจนวนหุ้มสองชั้นดังนั้นจึงสามารถใช้เสียบเข้ากับไฟฟ้าที่ไม่มีสายดินได้

คำเตือนเพื่อความปลอดภัยสำหรับเครื่องมือไฟฟ้าทั่วไป

GEA012-2

⚠ คำเตือน: อ่านคำเตือนด้านความปลอดภัย คำแนะนำภาพประกอบ และข้อมูลทางเทคนิคทั้งหมดที่มีมาพร้อมกับ **เครื่องมือไฟฟ้า**นี้ การไม่ปฏิบัติตามคำแนะนำดังกล่าวทั้งหมดที่แสดงอยู่ด้านล่างอาจส่งผลให้เกิดไฟฟ้าช็อต ไฟไหม้ และ/หรือได้รับบาดเจ็บอย่างร้ายแรง

เก็บรักษาคำเตือนและคำแนะนำทั้งหมดไว้เป็นข้อมูลอ้างอิงในอนาคต

คำว่า "เครื่องมือไฟฟ้า" ในคำเตือนนี้ หมายถึง เครื่องมือไฟฟ้า (มีสาย) ที่ทำงานโดยใช้กระแสไฟฟ้า หรือเครื่องมือไฟฟ้า (ไร้สาย) ที่ทำงานโดยใช้แบตเตอรี่

ความปลอดภัยของพื้นที่ทำงาน

1. ดูแลพื้นที่ทำงานให้มีความสะอาดและมีแสงไฟสว่าง พื้นที่รกกระเถอะหรือมืดที่อาจนำไปสู่การเกิดอุบัติเหตุได้
2. อย่าใช้งานเครื่องมือไฟฟ้าในสภาพที่อาจเกิดการกระเบิด เช่น ในสถานที่ที่มีของเหลว ก๊าซ หรือฝุ่นผงที่มีคุณสมบัติไวไฟ เครื่องมือไฟฟ้าจะสร้างประกายไฟซึ่งอาจจุดชนวนฝุ่นผงหรือก๊าซดังกล่าว
3. ดูแลไม่ให้มีเด็ก ๆ หรือบุคคลอื่นอยู่ในบริเวณที่กำลังใช้เครื่องมือไฟฟ้า การมีสิ่งรบกวนสมาธิอาจทำให้คุณสูญเสียการควบคุม

ความปลอดภัยด้านไฟฟ้า

1. ปลั๊กของเครื่องมือไฟฟ้าต้องพอดีกับเต้ารับ อย่าตัดแปลงปลั๊กไม่ว่ากรณีใด ๆ อย่าใช้ปลั๊กแอดปเตอรกับเครื่องมือไฟฟ้าที่ต่อสายดิน (กราวด์) ปลั๊กที่ไม่ถูกดัดแปลงและเต้ารับไฟที่เข้ากันพอดีจะช่วยลดความเสี่ยงของการเกิดไฟฟ้ช็อต
2. ระวังอย่าให้ร่างกายสัมผัสกับพื้นผิวที่ต่อสายดิน เช่น ท่อ เครื่องนำความร้อน เครื่องใช้ไฟฟ้าในครัว และตู้เย็น มีความเสี่ยงที่จะเกิดไฟฟ้ช็อตสูงขึ้น หากร่างกายของคุณสัมผัสกับพื้น
3. อย่าให้เครื่องมือไฟฟ้าถูกน้ำหรืออยู่ในสภาพเปียกชื้น น้ำที่ไหลเข้าไปในเครื่องมือไฟฟ้าจะเพิ่มความเสี่ยงของการเกิดไฟฟ้ช็อต
4. อย่าใช้สายไฟอย่างที่ไม่เหมาะสม อย่าใช้สายไฟเพื่อยก ดึง หรือ ถอดปลั๊กเครื่องมือไฟฟ้า เก็บสายไฟให้ห่างจากความร้อน น้ำมัน ของมีคม หรือชิ้นส่วนที่เคลื่อนที่ สายที่ชำรุดหรือพันกันจะเพิ่มความเสี่ยงของการเกิดไฟฟ้ช็อต
5. ขณะที่ใช้งานเครื่องมือไฟฟ้านอกอาคาร ควรใช้สายต่อพ่วงที่เหมาะสมกับงานภายนอกอาคาร การใช้สายที่เหมาะสมกับงานภายนอกอาคารจะลดความเสี่ยงของการเกิดไฟฟ้ช็อต
6. หากต้องใช้งานเครื่องมือไฟฟ้าในสถานที่เปียกชื้น ให้ใช้อุปกรณ์ป้องกันกระแสไฟรั่ว (RCD) การใช้ RCD จะลดความเสี่ยงของการเกิดไฟฟ้ช็อต
7. แนะนำให้ใช้งานแหล่งจ่ายไฟผ่าน RCD ที่มีกระแสรั่วพิกัด 30 mA หรือน้อยกว่า
8. เครื่องมือไฟฟ้าสามารถสร้างสนามแม่เหล็กไฟฟ้า (EMF) ที่ไม่เป็นอันตรายต่อผู้ใช้งาน อย่างไรก็ตาม ผู้ใช้งานที่มีเครื่องกระตุ้นหัวใจหรืออุปกรณ์ทางการแพทย์ที่คล้ายกัน ควรติดต่อรับคำแนะนำจากผู้ผลิตอุปกรณ์ และ/หรือแพทย์ ก่อนการใช้งานเครื่องมือไฟฟ้านี้
9. อย่าสัมผัสปลั๊กไฟด้วยมือที่เปียก
10. หากสายไฟเสียหาย ให้เปลี่ยนโดยผู้ผลิตหรือตัวแทนเพื่อหลีกเลี่ยงอันตราย

ความปลอดภัยส่วนบุคคล

1. ให้ระมัดระวัง และสังเกตเสมอว่าคุณกำลังทำอะไรอยู่ และใช้สามัญสำนึกในขณะที่ใช้งานเครื่องมือไฟฟ้า อย่าใช้งานเครื่องมือไฟฟ้าในขณะที่คุณกำลังเหนื่อย หรือในสภาพที่มันมาจากยาเสพติด เครื่องดื่มแอลกอฮอล์ หรือการใซ้ยา ช่วงเวลาที่ขาดความระมัดระวังเมื่อกำลังใช้งานเครื่องมือไฟฟ้าอาจทำให้คุณได้รับบาดเจ็บอย่างรุนแรง
2. ใช้อุปกรณ์ป้องกันส่วนบุคคล สวมแว่นตาป้องกันเสมอ อุปกรณ์ป้องกัน เช่น หน้ากากกันฝุ่น รองเท้านิรภัยกันลื่น หมวกนิรภัย หรือเครื่องป้องกันการได้ยินที่ใช้ในสภาพที่เหมาะสมจะช่วยลดการบาดเจ็บ
3. ป้องกันไม่ให้เปิดใช้งานอย่างไม่ตั้งใจ ตรวจสอบว่าสวิตช์อยู่ในตำแหน่งปิดก่อนเชื่อมต่อกับแหล่งจ่ายไฟ และ/หรือชุดแบตเตอรี่ หรือก่อนการยกหรือถือเครื่องมือ การถอดนิวมือบริเวณสวิตช์เพื่อถือเครื่องมือไฟฟ้า หรือการจ่ายไฟให้กับเครื่องมือไฟฟ้าในขณะที่เปิดสวิตช์อยู่อาจนำไปสู่การเกิดอุบัติเหตุ
4. นำกฎแฉปรับแต่งหรือประแจออกก่อนที่จะเปิดเครื่องมือไฟฟ้า ประแจหรือกฎแฉที่เสียบค้างอยู่ในชิ้นส่วนที่หมุนได้ของเครื่องมือไฟฟ้าอาจทำให้คุณได้รับบาดเจ็บ
5. อย่าทำงานในระยะที่ สุดเอื้อม จัดทำการยื่นและการทรงตัวให้เหมาะสมตลอดเวลา เพราะจะทำให้ควบคุมเครื่องมือไฟฟ้าได้ดีขึ้นในสถานการณ์ที่ไม่คาดคิด
6. แต่งกายให้เหมาะสม อย่าสวมเครื่องแต่งกายที่หลวมเกินไป หรือสวมเครื่องประดับ รวบผมและเสียดผ้าให้อยู่ห่างจากส่วนที่เคลื่อนที่ เสื้อผ้ารุ่มร่าม เครื่องประดับ หรือผมที่มีความยาวอาจเข้าไปปิดในชิ้นส่วนที่เคลื่อนที่
7. หากมีการจัดอุปกรณ์สำหรับดูดและจับฝุ่นไว้ในสถานที่ ให้ตรวจสอบว่าได้เชื่อมต่อและใช้งานอุปกรณ์นั้นอย่างเหมาะสม การใช้เครื่องดูดและจัดเก็บฝุ่นจะช่วยลดอันตรายที่เกิดจากฝุ่นผงได้
8. อย่าให้ความคุ้นเคยที่ได้จากการใช้งานเครื่องมือบ่อยครั้งทำให้คุณนิ่งนอนใจและหลีกเลี่ยงหลักการความปลอดภัยของเครื่องมือ การกระทำที่ไม่ระมัดระวังสามารถทำให้ได้รับบาดเจ็บได้ในเสี้ยววินาที
9. สวมใส่แว่นตาป้องกันเพื่อป้องกันดวงตาของคุณจากการบาดเจ็บเมื่อใช้งานเครื่องมือไฟฟ้า ที่ป้องกันตาต้องได้รับรองมาตรฐาน ANSI Z87.1 ใน USA, EN 166 ในยุโรป, หรือ AS/NZS 1336 ในออสเตรเลีย/นิวซีแลนด์ ในออสเตรเลีย/นิวซีแลนด์ ตามกฎหมายต้องสวมใส่แผ่นป้องกันใบหน้าเพื่อป้องกันใบหน้าอีกด้วย (ภาพที่ 1) ผู้ว่าจ้างมีหน้าที่กำหนดให้ผู้ใช้งานเครื่องมือนี้และบุคคลอื่นที่อยู่ในพื้นที่การทำงานต้องสวมใส่อุปกรณ์ป้องกัน

การใช้และดูแลเครื่องมือไฟฟ้า

1. อย่ามิฉะนั้นใช้เครื่องมือไฟฟ้า ใช้เครื่องมือไฟฟ้าที่เหมาะสมกับการใช้งานของคุณ เครื่องมือไฟฟ้าที่เหมาะสมจะทำให้ได้งานที่มีประสิทธิภาพและปลอดภัยกว่าตามขีดความสามารถของเครื่องที่ได้รับการออกแบบมา
2. อย่าใช้เครื่องมือไฟฟ้า หากสวิตช์ไม่สามารถเปิดปิดได้ เครื่องมือไฟฟ้าที่ใช้สวิตช์ควบคุมไม่ได้จัดเป็นอันตรายและต้องได้รับการซ่อมแซม
3. ถอดปลั๊กจากแหล่งจ่ายไฟ และ/หรือชุดแบตเตอรี่ออกจากเครื่องมือไฟฟ้าหากถอดได้ ก่อนทำการปรับแต่ง เปลี่ยนอุปกรณ์เสริม หรือจัดเก็บเครื่องมือไฟฟ้า วิธีการป้องกันด้านความปลอดภัยดังกล่าวจะช่วยลดความเสี่ยงของการเปิดใช้งานเครื่องมือไฟฟ้าอย่างไม่ตั้งใจ
4. จัดเก็บเครื่องมือไฟฟ้าที่ไม่ได้ใช้งานให้ห่างจากมือเด็ก และอย่าอนุญาตให้บุคคลที่ไม่คุ้นเคยกับเครื่องมือไฟฟ้าหรือคำแนะนำเหล่านี้นี้ใช้งานเครื่องมือไฟฟ้า เครื่องมือไฟฟ้าจะเป็นอันตรายเมื่ออยู่ในมือของผู้ที่ไม่ได้รับการฝึกอบรม
5. การบำรุงรักษาเครื่องมือไฟฟ้าและอุปกรณ์เสริม ตรวจสอบการประกอบที่ไม่ถูกต้องหรือการเชื่อมต่อของชิ้นส่วนที่เคลื่อนที่ การแตกหักของชิ้นส่วน หรือสภาพอื่นๆ ที่อาจส่งผลกระทบต่อการทำงานของเครื่องมือไฟฟ้า หากมีความเสียหาย ให้นำเครื่องมือไฟฟ้าไปซ่อมแซมก่อนการใช้งาน อุบัติเหตุจำนวนมากเกิดจากการดูแลรักษาเครื่องมือไฟฟ้าอย่างไม่ถูกต้อง
6. ลับความคมและทำความสะอาดเครื่องมือการตัดอยู่เสมอ เครื่องมือการตัดที่มีการดูแลอย่างถูกต้องและมีขอบการตัดคมมักจะมีความปลอดภัยน้อยและควบคุมได้ง่ายกว่า
7. ใช้เครื่องมือไฟฟ้า อุปกรณ์เสริม และวัสดุสิ้นเปลือง ฯลฯ ตามคำแนะนำดังกล่าว พิจารณาสภาพการทำงานและงานที่จะลงมือทำ การใช้เครื่องมือไฟฟ้าเพื่อทำงานอื่นนอกเหนือจากที่กำหนดไว้อาจทำให้เกิดอันตราย
8. รักษามือจับและพื้นผิวจับให้แห้ง, สะอาด และไม่มีน้ำมันหรือจารบีจับมือจับและพื้นผิวจับที่ลื่นจะทำให้การจับและการควบคุมเครื่องมือที่ปลอดภัยไม่เกิดขึ้น ในบางสถานการณ์ที่ไม่คาดคิด
9. เมื่อใช้งานเครื่องมือ, อย่าสวมใส่ถุงมือผ้า ซึ่งอาจจะติดพันกับเครื่องมือได้ การติดพันของถุงมือผ้าในสถานที่เคลื่อนที่อาจจะทำให้เกิดการบาดเจ็บได้

การบริการ


1. นำเครื่องมือไฟฟ้าเข้ารับบริการจากช่างซ่อมที่ผ่านการรับรองโดยโซอะไหลแบบเดียวกันเท่านั้น เพราะจะทำให้การใช้เครื่องมือไฟฟ้ามีความปลอดภัย
2. ปฏิบัติตามคำแนะนำในการหล่อลื่นและการเปลี่ยนอุปกรณ์เสริม

คำเตือนด้านความปลอดภัยของ

เลื่อยวงกลม

GEB133-2

ขั้นตอนการตัด

1.  อันตราย : ระวังอย่าให้มือสัมผัสกับพื้นที่การตัดและใบเลื่อย วางมืออีกข้างของคุณไว้บนมือจับเสริมหรือตัวมอเตอร์ ถ้าคุณจับเลื่อยไว้ทั้งสองมือ มือของคุณจะไม่ถูกเลื่อยบาด
2. อย่าเอื้อมไปได้ซึ่งงาน อุปกรณ์ป้องกันไม่สามารถป้องกันคุณจากใบเลื่อยได้ซึ่งงานได้
3. ปรับความลึกในการตัดให้เข้ากับความหนาของชิ้นงาน คุณควรมองเห็นพื้นของใบเลื่อยได้ซึ่งงานแบบไม่เต็มซี่
4. ห้ามถือชิ้นงานด้วยมือหรือวางพาดขาขณะตัด ยึดชิ้นงานไว้กับแท่นที่มั่นคง การยึดชิ้นงานอย่างถูกต้องจะลดความเสี่ยงที่อวัยวะของร่างกายจะได้รับอันตรายจากเครื่องมือ ใบเลื่อยติดในชิ้นงาน หรือการสูญเสียการควบคุม (ภาพที่ 2)
5. ถือเครื่องมือไฟฟ้าโดยจับส่วนที่มีขนาดหุ้ม ขณะปฏิบัติงาน เครื่องมือตัดอาจไปสัมผัสกับสายไฟที่ซ่อนอยู่ หรือสายไฟของเครื่องมือเอง การสัมผัสกับสายไฟที่ "มีกระแสไฟไหลผ่าน" จะทำให้ส่วนที่เป็นโลหะของเครื่องมือไฟฟ้าที่ไม่มีฉนวนหุ้ม "มีกระแสไฟไหลผ่าน" และทำให้ผู้ปฏิบัติงานถูกไฟฟ้าช็อตได้
6. ขณะที่กำลังการตัด ให้ใช้จากตัด หรือตัวนำขอบตรงเสมอ จะช่วยเพิ่มความแม่นยำในการตัด และลดโอกาสที่ใบเลื่อยจะติดขัดได้
7. ใช้ใบเลื่อยที่มีขนาดและรูปทรง (ทรงขว้างหลามตัดหรือทรงกลม) ของรูปเลื่อยที่ถูกต้องเสมอ ใบเลื่อยที่ไม่เข้ากับฮาร์ดแวร์ของเลื่อยนี้จะหลุดออกจากศูนย์กลางเป็นเหตุให้สูญเสียการควบคุมได้
8. ห้ามใช้แหวนหรือสลักเกลียวใบเลื่อยที่เสียหายหรือไม่ถูกต้อง แหวนและสลักเกลียวใบเลื่อยได้รับการออกแบบมาเป็นพิเศษสำหรับเลื่อยของคุณเพื่อให้เกิดประสิทธิภาพสูงสุดและความปลอดภัยในการทำงาน

สาเหตุของการติดกลับ และคำเตือนที่เกี่ยวข้อง

- การติดกลับ คือปฏิกิริยาสะท้อนกลับจับพยนต์เนื่องจากใบเลื่อยถูกบีบแน่นจนเกินไป ใบเลื่อยติด หรือไม่ได้ถูกจัดให้อยู่ในตำแหน่งที่ถูกต้อง เป็นเหตุให้เลื่อยที่สูญเสียการควบคุมตั้งขึ้นและหลุดจากชิ้นงาน ติดกลับมายังตัวผู้ปฏิบัติงาน
 - เมื่อใบเลื่อยถูกบีบ หรือติดแน่นกับร่องตัด ใบเลื่อยจะหยุดกลางคัน และปฏิกิริยาของมอเตอร์จะส่งให้เครื่องติดกลับมายังผู้ปฏิบัติงานอย่างรวดเร็ว
 - ถ้าใบเลื่อยบิดงอหรือประกอบไม่ถูกต้องคาอยู่ในรอบตัดแล้ว พื้นเลื่อยตรงส่วนหลังของใบเลื่อยอาจกินเข้าไปในพื้นที่ผิวด้านบนสุดของไม้ ทำให้ใบเลื่อยหลุดออกจากร่องตัดและดึงกลับเข้าหาผู้ปฏิบัติงานได้ การติดกลับเป็นผลมาจากการใช้เลื่อยผิดจุดประสงค์ และ/หรือการใช้ผิดวิธี และสามารถป้องกันได้ด้วยวิธีการป้องกันดังต่อไปนี้
1. จับเลื่อยให้แน่นโดยใช้ทั้งสองมือ และวางตำแหน่งแขนของคุณ เพื่อให้สามารถทนแรงติดกลับได้ วางตำแหน่งร่างกายของคุณไว้ด้านใดด้านหนึ่งของใบเลื่อย แต่อย่าอยู่ในแนวเดียวกันกับ

ใบเลื่อย การติดกลับอาจทำให้เลื่อยแตงกลับ แต่แรงติดกลับนี้สามารถควบคุมได้โดยผู้ปฏิบัติงานหากมีกระแอมัระวังไว้ล่วงหน้าอย่างเหมาะสม

- เมื่อใบเลื่อยติดขัด หรือเมื่อต้องหยุดการตัดด้วยเหตุใดก็ตาม ให้ปล่อยสวิตช์สั่งงานและถือเลื่อยค้างไว้ในวัสดุเฉยๆ จนกว่าใบเลื่อยจะหยุดสนิท ห้ามพยายามถอดเลื่อยออกจากชิ้นงานหรือดึงเลื่อยถอยหลังขณะที่ใบเลื่อยยังเคลื่อนไหว มิฉะนั้นอาจเกิดการติดกลับได้ ตรวจสอบและแก้ไข เพื่อกำจัดสาเหตุที่ทำให้ใบเลื่อยติดขัด
- เมื่อเริ่มเดินเครื่องในชิ้นงานอีกครั้ง ให้วางใบเลื่อยตรงกลางร่องตัดเพื่อไม่ให้พื้นเลื่อยติดกับวัสดุ หากใบเลื่อยติด อาจส่งผลให้เครื่องเดินขึ้นหรือติดกลับจากชิ้นงานในขณะที่เริ่มเดินเครื่องใหม่
- รองรับแผ่นที่มีขนาดใหญ่เพื่อลดความเสี่ยงที่ใบเลื่อยจะถูกบีบและติดกลับ แผ่นที่มีขนาดใหญ่มีแนวโน้มที่จะแอ่นลงเนื่องจากน้ำหนักของแผ่นเอง ตรวจสอบที่รองรับไว้ได้แผ่นทั้งสองด้านให้ใกล้กับเส้นรอยตัดและใกล้ขอบของแผ่น (ภาพที่ 3 & 4)
- อย่าใช้ใบเลื่อยที่ทื่อหรือเสียหาย ใบเลื่อยที่ไม่คมหรือติดตั้งไม่เหมาะสมจะทำให้ร่องตัดแคบ ทำให้เกิดการเสียดสีมากเกินไปจน ใบเลื่อยอาจติดขัด หรือติดกลับได้
- ก้านถือควรปรับความลึกของใบเลื่อยและมุมเอียงจะต้องแน่นและมั่นคงก่อนทำการตัด ถ้าตัวปรับใบเลื่อยเคลื่อนที่ระหว่างการตัด อาจทำให้เกิดการติดขัดและติดกลับ
- ใช้ความระมัดระวังเป็นพิเศษขณะทำการเลื่อยกำแพงที่มีอยู่แล้วหรือพื้นที่มุมอับอื่นๆ ใบเลื่อย ที่ยื่นออกไปอาจตัดโดนสิ่งต่างๆ ที่ทำให้เกิดการติดกลับ
- จับเครื่องมือให้แน่นด้วยมือทั้งสองข้างเสมอ ห้ามวางมือขาหรือส่วนใดของร่างกายไว้ใต้ฐานเครื่องมือหรือด้านหลังเลื่อย โดยเฉพาะในขณะที่ทำการตัดเป็นรูปกากบาท หากเกิดการติดกลับใบเลื่อยจะสามารถแตงกลับเข้าหามือของคุณ ทำให้ได้รับบาดเจ็บรุนแรง (ภาพที่ 5)
- ห้ามใช้แรงกดบนเลื่อยดันเลื่อยไปข้างหน้าด้วยความเร็วที่ใบเลื่อยจะตัดได้โดยไม่หมุนช้าลง การใช้แรงกดบนเลื่อยอาจทำให้รอยตัดไม่เท่ากัน สูญเสียความแม่นยำ และอาจเกิดการติดกลับ

การทำงานของอุปกรณ์ป้องกัน

- ตรวจสอบให้ที่ป้องกันด้านล่าง ปิดอยู่ในตำแหน่งที่เหมาะสมก่อนการใช้งานทุกครั้ง อย่าใช้งานเลื่อยหากที่ป้องกันด้านล่างไม่สามารถเคลื่อนที่ได้อย่างอิสระและปิดสนิท ถ้าหยาหนีบหรือผูกที่ป้องกันด้านล่างไว้ในตำแหน่งเปิดค้างไว้ ถ้าทำเลื่อยตกอย่างไม่ได้ตั้งใจ ที่ป้องกันด้านล่างอาจงอได้ ยกที่ป้องกันด้านล่างขึ้นด้วยมือจับรั้งและตรวจสอบว่าอุปกรณ์เคลื่อนที่ได้ อย่างอิสระและไม่สัมผัสกับใบเลื่อยหรือส่วนอื่นใดในทุกลม และทุกระดับความลึกในการตัด

- ตรวจสอบการทำงานของสปริงที่ป้องกันด้านล่าง ถ้าอุปกรณ์ป้องกันและสปริงทำงานไม่ถูกต้อง ก็ควรต้องซ่อมแซมก่อนใช้งาน ที่ป้องกันด้านล่างอาจทำงานผิดปกติ เนื่องจากมีชิ้นส่วนที่เสียหาย เขามาเหนียว หรือ ผุ่นงที่สะสม
- คุณอาจพบเก็บที่ป้องกันด้านล่างด้วยตนเองสำหรับการตัดแบบพิเศษเช่น "จ้วงตัด" และ "ตัดแบบผสม" ยกที่ป้องกันด้านล่างด้วยมือจับรั้ง และเมื่อใบเลื่อยตัดเข้าเนื้อวัสดุให้ปล่อยที่ป้องกันด้านล่าง สำหรับการเลื่อยอื่นๆ ที่ป้องกันด้านล่างควรทำงานโดยอัตโนมัติ
- สังเกตเสมอว่าที่ป้องกันด้านล่างครอบใบเลื่อยอยู่ก่อนที่จ้วงเลื่อยลงบนที่นั่งหรือพื้น ใบเลื่อยที่ยังหมุนอยู่และไม่มีการป้องกันจะทำให้เลื่อยขยับถอยหลังและตัดทุกสิ่งที่อยู่ในรัศมีคุณต้อง ตระหนักถึงระยะเวลาที่ใบเลื่อยจะหยุดหลังจากปล่อยสวิตช์แล้ว
- เมื่อต้องการตรวจสอบที่ป้องกันด้านล่าง ให้เปิดที่ป้องกันด้านล่างด้วยมือ จากนั้นให้ปล่อยและดูการกดของที่ป้องกันและตรวจสอบว่ามีมือจับรั้งไม่สัมผัสกับรอยเครื่องมือ การเปิดใบเลื่อยเปลี่ยน เป็นอันตรายอย่างมากและอาจทำให้เกิดการบาดเจ็บร้ายแรง

คำเตือนด้านความปลอดภัยเพิ่มเติม

- ใช้ความระมัดระวังเป็นพิเศษในการตัดไม้ที่เปียกชื้น ไม้ที่ผ่านการใช้แรงอัด หรือไม้ที่มีเนื้อติดติดอยู่ ค่อยๆ ดันเครื่องมือไปอย่างราบรื่นโดยไม่ลดความเร็วของใบเลื่อยเพื่อไม่ให้ปลายใบเลื่อยร้อนเกินไป
- อย่าพยายามถอดวัสดุตัดออก ขณะที่ใบเลื่อยยังเคลื่อนไหวอยู่ รอจนกว่าใบเลื่อยจะหยุดแล้วจึงค่อยจับวัสดุตัด ใบเลื่อยยังหมุนหลังจากปิดเครื่องแล้ว
- หลีกเลี่ยงการตัดตะปู ตรวจสอบ และถอนตะปูทั้งหมดออกจากไม้ ก่อนทำการตัด
- วางส่วนฐานเลื่อยด้านที่กว้างกว่าไว้บนส่วนของชิ้นงานที่มีการรองรับอย่างมั่นคงแล้ว ไม่วางบนส่วนที่จะตกลงไปเมื่อทำการตัดเสร็จ ถ้าชิ้นงานสั้น หรือมีขนาดเล็กให้หนีบไว้ อย่าพยายามจับชิ้นส่วนสั้นๆ ด้วยมือ (ภาพที่ 6)
- ก่อนวางเครื่องมือลงหลังจากทำการตัดเสร็จแล้ว ให้ตรวจสอบว่าที่ป้องกันเปิดแล้วและใบเลื่อยหยุดสนิท
- อย่าพยายามเลื่อยโดยใช้ที่จับ หรือสิ่งอื่นๆ จับเลื่อยวงกลม หนีงขึ้น การกระทำนี้อันตราย เป็นอย่างมากและอาจนำไปสู่อุบัติเหตุร้ายแรงได้ (ภาพที่ 7)
- วัสดุบางอย่างอาจมีสารเคมีที่เป็นพิษ ระวังอย่าสูดดมฝุ่นหรือสัมผัสกับผิวหนัง ปฏิบัติตามข้อมูลด้านความปลอดภัยของผู้ผลิตวัสดุ
- อย่าหยุดใบเลื่อยด้วยการกดด้านข้างของใบเลื่อย
- อย่าใช้ล๊อคตัดๆ
- ใช้ใบเลื่อยที่มีเส้นผ่านศูนย์กลาง ตามที่ทำเครื่องหมายไว้บนเครื่องมือหรือระบุไว้ในคู่มือเท่านั้น การใช้ใบเลื่อยที่มีขนาด

ไม่ถูกต้อง อาจส่งผลต่อการป้องกันใบเลื่อยอย่างเหมาะสม หรือการทำงานของอุปกรณ์ป้องกันซึ่งอาจส่งผลให้เกิดการบาดเจ็บร้ายแรง

11. ทำความสะอาดใบเลื่อยและลับให้คมอยู่เสมอ อย่างไม่เห็นिय และยาที่แข็งตัวอยู่บนใบเลื่อย จะทำให้เลื่อยหมุนช้าลงและเพิ่มโอกาสในการติดกลับ รักษาความสะอาดของใบเลื่อยโดยเริ่มจากถอดใบเลื่อยออกจากเครื่องมือ แล้วทำความสะอาดด้วยน้ำยากัดยางไม้ น้ำร้อน หรือน้ำมันก๊าด ห้ามใช้น้ำมันเชื้อเพลิงเด็ดขาด
12. สวมหมวกกันน็อกและเครื่องป้องกันการได้ยินขณะใช้งานเครื่องมือ
13. ใช้ใบเลื่อยที่เหมาะสมกับวัสดุที่ต้องการจะตัดเสมอ
14. ใช้ใบเลื่อยที่มีความเร็วที่กำหนดบนใบเลื่อยเท่ากับหรือมากกว่าความเร็วที่กำหนดบนเครื่องมือเท่านั้น
15. (สำหรับประเทศในทวีปยุโรปเท่านั้น) ใช้ใบเลื่อยที่สอดคล้องตามมาตรฐาน EN847-1 เสมอ

ปฏิบัติตามคำแนะนำเหล่านี้

⚠ คำเตือน:

อย่าให้ความไม่ระมัดระวังหรือความคุ้นเคยกับผลิตภัณฑ์ (จากการใช้งานซ้ำหลายครั้ง) อยู่เหนือการปฏิบัติตามกฎเกณฑ์ด้านความปลอดภัย ในการใช้งานผลิตภัณฑ์อย่างเคร่งครัด การใช้งานอย่างไม่เหมาะสมหรือการไม่ปฏิบัติตามกฎเกณฑ์ด้านความปลอดภัยในคู่มือการใช้งานนี้อาจทำให้ได้รับบาดเจ็บร้ายแรง

คำอธิบายการใช้งาน

⚠ ข้อควรระวัง:

- ตรวจสอบว่าปิดสวิตช์และถอดปลั๊กเครื่องแล้วก่อนทำการปรับเปลี่ยนหรือตรวจสอบการทำงานของเครื่อง

การปรับความลึกของการตัด

⚠ ข้อควรระวัง:

- หลังปรับความลึกในการตัด ขึ้นคันทันโยกให้แน่นเสมอ (ภาพที่ 8) คลายคันทันโยกบนแผ่นนำความลึก และเลื่อนฐานไปทางด้านบนหรือด้านล่าง เมื่อได้ความลึกที่ต้องการ ยึดฐานเครื่องมือโดยบิดคันทันโยกให้แน่น

เพื่อการตัดที่สะอาดและปลอดภัยยิ่งขึ้น ให้ตั้งความลึกในการตัดไม่ให้ใบเลื่อยไหลไปทางด้านล่างมากเกินไป การปรับความลึกในการตัดอย่างเหมาะสม จะช่วยลดโอกาสในการเกิดการติดกลับที่เป็นอันตราย ซึ่งอาจทำให้เกิดการบาดเจ็บได้

การตัดมุมเอียง (ภาพที่ 9 และ 10)

สำหรับ HS7000

คลายสลักยึดด้านหน้าและด้านหลัง ปรับตั้งมุมที่ต้องการ (0° - 45°) โดยการเอียง จากนั้นจึงขันสลักยึดด้านหน้าและด้านหลังให้แน่น

สำหรับ HS7600

คลายสลักยึด ปรับตั้งมุมที่ต้องการ (0° - 45°) โดยการเอียง จากนั้นขันสลักยึดให้แน่น

การมอม

สำหรับ HS7000 (ภาพที่ 11)

สำหรับ HS7600 (ภาพที่ 12)

ในการตัดแนวตรง ให้จัดด้านหน้าของฐานและแนวการตัดอยู่ในตำแหน่ง 0° ในการตัดเอียง 45° ให้จัดแนวการตัดในตำแหน่ง 45°

การทำงานของสวิตช์

⚠ ข้อควรระวัง:

- ก่อนเสียบปลั๊กเครื่องมือ ให้ตรวจสอบว่าโกสวิตช์สามารถทำงานได้อย่างถูกต้อง และกลับไปยังตำแหน่ง "OFF" เมื่อปล่อย (ภาพที่ 13)

สำหรับเครื่องมือที่มีปุ่มปลดล๊อค

⚠ ข้อควรระวัง:

- อย่าตีโกสวิตช์อย่างรุนแรงโดยไม่ได้กดปุ่มปลดล๊อค เพราะอาจทำให้สวิตช์แตกหักได้

เพื่อป้องกันไม่ให้โกสวิตช์ถูกดึงอย่างไม่ตั้งใจ จึงมีการติดตั้งปุ่มปลดล๊อคเอาไว้

ในการเริ่มต้นใช้งานเครื่องมือ ให้กดปุ่มปลดล๊อคและดึงโกสวิตช์ ปล่อยโกสวิตช์เพื่อหยุดการทำงาน

⚠ คำเตือน:

- เพื่อความปลอดภัยของคุณ เครื่องมือนี้จะมีปุ่มปลดล๊อคที่จะช่วยป้องกันเครื่องมือไม่ให้เปิดทำงานอย่างไม่ตั้งใจ อย่าใช้เครื่องมือ หากเครื่องมือเปิดทำงานเมื่อคุณแค่ดึงโกสวิตช์โดยไม่ได้กดปุ่มปลดล๊อค นำเครื่องมือส่งศูนย์บริการของ Makita เพื่อทำการซ่อมแซมอย่างถูกต้องก่อนการใช้งานต่อไป
- อย่าตีเบตหรือทำให้วัตถุประสงค์และการทำงานของปุ่มปลดล๊อคผิดเพี้ยนไป

สำหรับเครื่องมือที่มีปุ่มล๊อค

⚠ ข้อควรระวัง:

- สามารถล๊อคสวิตช์ไว้ที่ตำแหน่ง "ON" เพื่อให้ผู้ปฏิบัติงานทำงานที่ต้องใช้ระยะเวลาเพิ่มขึ้นได้อย่างสะดวก ใช้ความระมัดระวังในขณะที่ล๊อคเครื่องมือไว้ที่ตำแหน่ง "ON" และถือที่จับของเครื่องมือไว้ให้แน่นคง

ในการเริ่มต้นใช้งานเครื่องมือ ให้ดึงโกสวิตช์ ปล่อยโกสวิตช์เพื่อหยุดการทำงาน

หากต้องการทำงานต่อเนื่อง ให้ดึงไกสวิตช์ แล้วกดปุ่มล๊อค จากนั้นจึงปล่อยไกสวิตช์ ถ้าต้องการเลิกใช้งานเครื่องมือในตำแหน่งล๊อค ให้ดึงไกสวิตช์จนสุด จากนั้นจึงปล่อยไกสวิตช์

การประกอบ

⚠️ ข้อควรระวัง:

- ก่อนปรับเปลี่ยนหรือตรวจสอบการทำงานของเครื่อง ต้องตรวจสอบให้แน่ใจว่าได้ปิดสวิตช์และถอดปลั๊กเครื่องแล้วทุกครั้ง

การถอดหรือการประกอบใบเลื่อย

⚠️ ข้อควรระวัง:

- ตรวจสอบให้แน่ใจว่าได้ติดตั้งใบเลื่อยโดยให้ซี่ใบเลื่อยชี้ไปทางด้านหน้าของเครื่องมือ
- ใช้ประแจของ Makita เพื่อถอดหรือติดตั้งใบเลื่อยเท่านั้น ถอดใบเลื่อยโดยกดคล็อคเพลลาเพื่อไม่ให้ใบเลื่อยหมุน และใช้ประแจเพื่อคลายโบลต์หกเหลี่ยมโดยหมุนทวนเข็มนาฬิกา จากนั้นให้ถอดโบลต์หกเหลี่ยม หน้าแปลนด้านนอก และใบเลื่อยออก (ภาพที่ 14) เมื่อทำการเปลี่ยนใบเลื่อย ให้ตรวจสอบว่าได้ทำความสะอาดโดยการนำซี่เลื่อยที่สะสมอครจากเครื่องป้องกันใบเลื่อยด้านบนและด้านล่าง อย่างไรก็ตาม การกระทำดังกล่าวไม่สามารถใช้แทนการตรวจสอบการทำงานของเครื่องป้องกันด้านล่างก่อนใช้งานทุกครั้ง (ภาพที่ 15)

สำหรับเครื่องมือที่มีหน้าแปลนด้านในซึ่งมีใบเลื่อยที่มีเส้นผ่านศูนย์กลางของรูที่ไม่ใช่ขนาด 15.88 มม. (ภาพที่ 16)

หน้าแปลนด้านในมีเส้นผ่านศูนย์กลางของส่วนที่ยื่นออกมาด้านหนึ่งไม่เท่ากับส่วนที่ยื่นออกมาอีกด้านหนึ่ง โปรดเลือกด้านที่ถูกต้องซึ่งเป็นส่วนที่ยื่นออกมาพอดีกับรูของใบเลื่อย จากนั้นให้สวมหน้าแปลนด้านในลงบนเพลายึดโดยให้ด้านที่ถูกต้องของส่วนที่ยื่นออกมาบนหน้าแปลนด้านในหันออก จากนั้นใส่ใบเลื่อยและหน้าแปลนด้านนอก อย่าลืมขันโบลต์หกเหลี่ยมให้แน่นโดยหมุนตามเข็มนาฬิกา

⚠️ ข้อควรระวัง:

- ตรวจสอบว่าส่วนที่ยื่นออกมา "a" ของหน้าแปลนด้านในซึ่งหันออกเข้ากันได้พอดีกับ รูของใบเลื่อย "a" ถ้าประกอบใบเลื่อยผิดด้านจะทำให้เกิดการสั่นที่เป็นอันตรายได้

สำหรับเครื่องมือที่มีหน้าแปลนด้านในสำหรับใบเลื่อยที่มีเส้นผ่านศูนย์กลางของรูขนาด 15.88 มม. (ตามที่ระบุในใบประเทศที่จำหน่าย) (ภาพที่ 17 และ 18)

ติดตั้งหน้าแปลนด้านในโดยให้ด้านที่เว้าหันหน้าออกไปทางเพลายึดที่ติดตั้งแล้วจึงประกอบใบเลื่อย (หากจำเป็น ให้ยึดแหวนให้เข้าที่) หน้าแปลนด้านนอก และโบลต์หกเหลี่ยมตามลำดับ อย่าลืมขันโบลต์หกเหลี่ยมให้แน่นโดยหมุนตามเข็มนาฬิกา

⚠️ คำเตือน:

- ก่อนประกอบใบเลื่อยเข้ากับเพลาหมุน ให้ตรวจสอบทุกครั้งว่ามีการติดตั้งแหวนที่ถูกต้องสำหรับรูของแกนค้ำที่ คุณต้องการใช้งานระหว่างหน้าแปลนด้านในและหน้าแปลนด้านนอก การใช้แหวนสำหรับรูของแกนค้ำที่ไม่ถูกต้องอาจทำให้การประกอบใบเลื่อยผิดพลาดซึ่งจะทำให้เกิดการเคลื่อนไหวของใบเลื่อยและการสั่นสะเทือนอย่างรุนแรงและอาจทำให้สูญเสียการควบคุมระหว่างการทำงาน รวมถึงการได้รับบาดเจ็บสาหัส

ที่จัดเก็บประแจหกเหลี่ยม (ภาพที่ 19)

เมื่อไม่ได้ใช้งาน ให้จัดเก็บประแจหกเหลี่ยมดังแสดงในภาพเพื่อป้องกันการสูญหาย

การเชื่อมต่อเครื่องดูดฝุ่น

(อุปกรณ์เสริมในบางประเทศ) (ภาพที่ 20 และ 21)

เมื่อคุณต้องการทำความสะอาดการตัด ให้เชื่อมต่อเครื่องดูดฝุ่น Makita กับเครื่องมือของคุณติดตั้งหัวฉีดกำจัดฝุ่นเข้ากับเครื่องมือโดยใช้สกรูยึด จากนั้นให้เชื่อมต่อท่อดูดของเครื่องดูดฝุ่นเข้ากับหัวฉีดกำจัดฝุ่นตามที่แสดงในภาพ สำหรับเครื่องมือที่ไม่มีหัวฉีดกำจัดฝุ่นให้มาด้วยเป็นอุปกรณ์มาตรฐาน ให้เปลี่ยนคนยกที่ยึดเข้ากับที่ป้องกันด้านล่างเป็นอุปกรณ์ที่ให้มาพร้อมกับหัวฉีดกำจัดฝุ่น (อุปกรณ์เสริม) ตอนที่ติดตั้งหัวฉีดกำจัดฝุ่นมีดังนี้ คุณจะไม่สามารถทำการตัดได้เนื่องจากหัวฉีดกำจัดฝุ่นจะกีดขวางการเคลื่อนที่ของซี่ที่ป้องกันด้านล่าง

การทำงาน

⚠️ ข้อควรระวัง:

- เลื่อนเครื่องมือไปข้างหน้าเบาๆ ในแนวเส้นตรง การออกแรงบีบกดเครื่องมือจะทำให้หม้อเตอร์มีความร้อนสูงเกินไป และเกิดการติดกลับที่อันตราย ทำให้บาดเจ็บสาหัสได้
- ใช้ด้ามจับด้านหน้าและมือจับด้านหลังทุกครั้ง ถือเครื่องมือให้แน่นด้วยด้ามจับด้านหน้าและมือจับด้านหลังในระหว่างการปฏิบัติงาน (ภาพที่ 22)

ถือเครื่องมืออย่างมั่นคง เครื่องมือนี้ไม่มีด้ามจับด้านหน้าและด้ามจับด้านหลัง ใช้ด้ามจับทั้งสองเพื่อที่สามารถจับเครื่องมือได้อย่างมั่นคงที่สุด การใช้มือสองข้างจับที่เครื่องมือจะทำให้ไม่ถูกใบเลื่อยบาด ตั้งแผ่นฐานบนชิ้นงานที่จะตัดโดยไม่ให้ใบเลื่อยสัมผัสกับชิ้นงาน จากนั้น เปิดเครื่องและรอจนกว่าใบเลื่อยทำงานที่ความเร็วสูงสุด จากนั้นเพียงเลื่อนเครื่องมือไปข้างหน้าบนผิวชิ้นงานให้ฐานเครื่องมือแนบสนิท และเลื่อนเครื่องมืออย่างช้าๆ จนกว่าการตัดจะเสร็จสิ้นเพื่อให้รอยตัดเรียบสม่ำเสมอ ให้รักษาแนวการตัดให้ตรงและใช้ความเร็วที่สม่ำเสมอ หากการตัดไม่เป็นไปตามแนวการตัดที่คุณตั้งใจไว้ อย่าพยายามหมุนหรือฝืนใช้เครื่องมือให้กลับ

ไปยังแนวการตัดดังกล่าว การกระทำดังกล่าวอาจทำให้ใบเลื่อยติดขัดซึ่งนำไปสู่การติดกลับที่เป็นอันตราย และอาจทำให้ผู้ใช้ได้รับบาดเจ็บรุนแรง ปลดอยสวิตช์ รอจนกว่าใบเลื่อยจะหยุดหมุน และถอนเครื่องมือออก จัดตำแหน่งเครื่องมือตามแนวการตัดใหม่ และเริ่มตัดอีกครั้งหนึ่ง พยายามหลีกเลี่ยงการอยู่ในตำแหน่งที่ผู้ปฏิบัติจะสัมผัสจุดเศษวัสดุและซี่เลื่อยที่ออกมาจากเครื่องเลื่อย ใช้เครื่องป้องกันดวงตาเพื่อหลีกเลี่ยงการได้รับบาดเจ็บ

แผ่นนำตัด (ไม้บรรทัด) (อุปกรณ์เสริม) (ภาพที่ 23)

แผ่นนำตัดที่ใช้งานสะดวกนี้ ช่วยให้ท่านทำการตัดแนวตรงได้อย่างแม่นยำเป็นพิเศษ เพียงเลื่อนแผ่นนำตัดให้ชิดกับด้านข้างของชิ้นงานและยึดไว้เข้าที่ด้วยสลักยึดบนด้านหน้าของฐาน นอกจากนี้ยังสามารถตัดซ้ำโดยมีความกว้างสม่ำเสมอกันได้อีกด้วย

การดูแลรักษา

⚠️ ข้อควรระวัง:

- ตรวจสอบให้แน่ใจว่าสวิตช์เครื่องมืออยู่ในตำแหน่งปิดเครื่อง และถอดปลั๊กเครื่องมือออกก่อนดำเนินการตรวจสอบสภาพหรือบำรุงรักษา
- **ทำความสะอาดอุปกรณ์ป้องกันด้านบนและด้านล่าง เพื่อให้แน่ใจว่าไม่มีซี่เลื่อยสะสมอยู่ ซึ่งอาจส่งผลกระทบต่อการทำงานของระบบป้องกันด้านล่างได้** ระบบป้องกันที่สกปรกอาจทำให้ประสิทธิภาพในการทำงานลดลง ซึ่งอาจทำให้เกิดการบาดเจ็บร้ายแรงได้ วิธีทำความสะอาดที่มีประสิทธิภาพมากที่สุดคือการใช้ลมอัดเป่าทำความสะอาด **เมื่อเป่าฝุ่นผงออกจากอุปกรณ์ป้องกัน ต้องตรวจสอบให้แน่ใจว่าได้ใช้เครื่องป้องกันดวงตาและหน้ากากที่เหมาะสม**
- อย่าใช้น้ำมันเชื้อเพลิง เบนซิน ทินเนอร์ แอลกอฮอล์ หรือวัสดุประเภทเดียวกัน เพราะอาจทำให้เครื่องมือลื่นหรือเกิดคราบหรือแตกหักได้

การปรับเพื่อให้สามารถตัดเป็นมุม 0° ได้อย่าง

แม่นยำ

สำหรับ HS7600 เท่านั้น (ภาพที่ 24 และ 25)

ได้มีการปรับการตั้งค่านี้ออกจากโรงงานแล้ว หากไม่มีการตั้งค่า ให้ปรับสกรูปรับแต่งโดยใช้ประแจหกเหลี่ยม ในขณะที่ทำการตรวจสอบใบเลื่อยที่ทำมุม 0° กับฐานโดยใช้ไม้ฉากรูปสามเหลี่ยม หรือไม้ฉากรูปสี่เหลี่ยม เป็นต้น

การเปลี่ยนแปรงถ่าน (ภาพที่ 26)

ถอดและตรวจสอบแปรงถ่านเป็นประจำ หากแปรงสึกถึงกึ่งกลางไปถึงครึ่งหนึ่งหรือขีดจำกัด ให้เปลี่ยนแปรงใหม่ รักษาความสะอาดของแปรงถ่าน และตรวจสอบว่าสามารถใส่ลงในช่องใส่แปรงได้ ควรเปลี่ยนแปรงถ่านใหม่พร้อมกันเป็นคู่ ใช้แปรงถ่านลักษณะเหมือนกันเท่านั้น

ใช้ไขควงถอดฝาปิดช่องใส่แปรงออก นำแปรงถ่านที่สึกหรอแล้วออกมา ใส่แปรงถ่านใหม่เข้าไป และปิดฝาปิดช่องใส่แปรงให้เข้าที่ (ภาพที่ 27)

เพื่อดูแลให้ผลิตภัณฑ์มีความปลอดภัยและไว้วางใจได้ ควรนำส่งผลิตภัณฑ์ให้แก่ศูนย์บริการที่ได้รับอนุญาตของ Makita ดำเนินการซ่อมแซม ดูแลรักษา หรือเปลี่ยนอะไหล่ และใช้อะไหล่แท้ของ Makita เท่านั้น

อุปกรณ์เสริม

⚠️ ข้อควรระวัง:

- ขอแนะนำให้ใช้อุปกรณ์เสริมหรือส่วนประกอบเหล่านี้กับเครื่องมือ Makita ของคุณตามที่ระบุในคู่มือนี้ การใช้อุปกรณ์เสริมหรือส่วนประกอบอื่นอาจทำให้ผู้ใช้ได้รับบาดเจ็บ ใช้อุปกรณ์เสริมหรือส่วนประกอบตามที่ระบุไว้เท่านั้น

หากคุณต้องการทราบรายละเอียดเพิ่มเติมเกี่ยวกับอุปกรณ์เสริมดังกล่าว โปรดสอบถามศูนย์บริการของ Makita ในพื้นที่ของคุณ

- ใบเลื่อย
- แผ่นนำตัด (ไม้บรรทัด)
- หัวฉีดกำจัดฝุ่น
- ประแจหกเหลี่ยม

หมายเหตุ:

- อุปกรณ์เสริมบางรายการอาจเป็นอุปกรณ์เสริมมาตรฐานที่รวมอยู่ในชุดเครื่องมือแล้ว ทั้งนี้ อาจมีความแตกต่างกันในแต่ละประเทศ

Makita Corporation
3-11-8, Sumiyoshi-cho,
Anjo, Aichi 446-8502 Japan

885371B371

www.makita.com

ALA