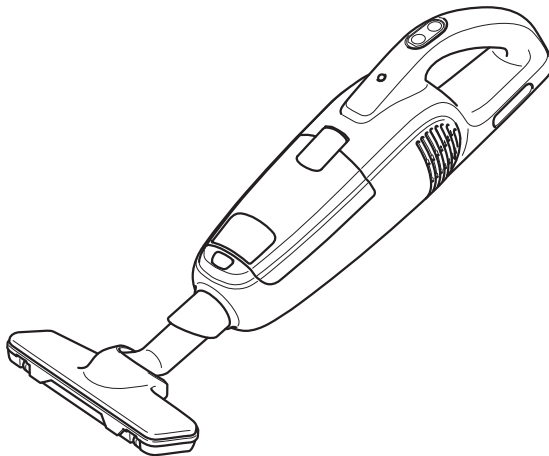




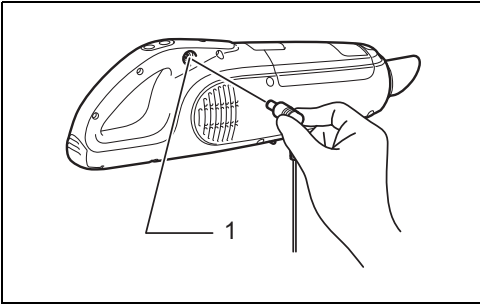
GB	Cordless Cleaner	Instruction manual
ID	Pembersih Nirkabel	Petunjuk penggunaan
VI	Máy Hút Bụi Cầm Tay Hoạt Động Bằng Pin	Tài liệu hướng dẫn
TH	เครื่องดูดฝุ่นไร้สาย	คู่มือการใช้งาน

CL104D



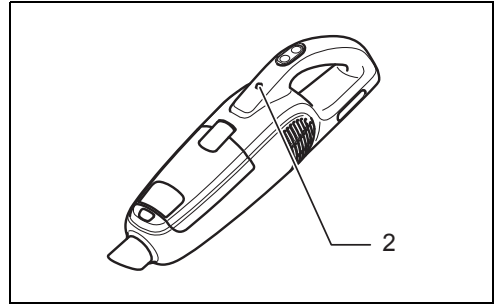
014722





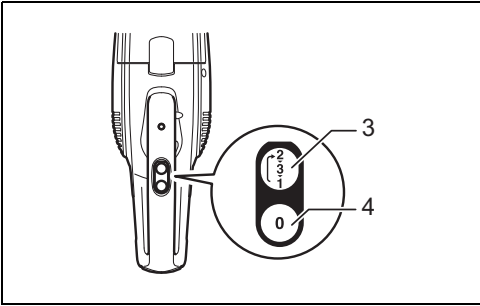
1

014724



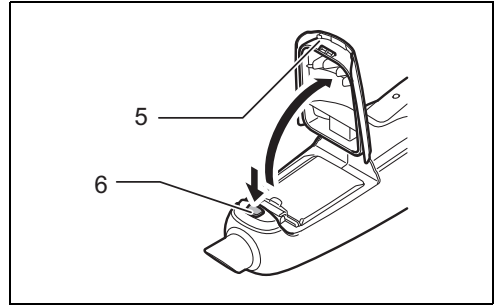
2

014723



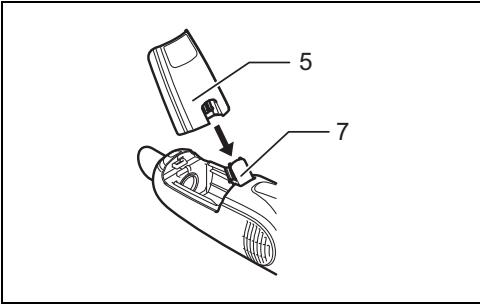
3

1008401



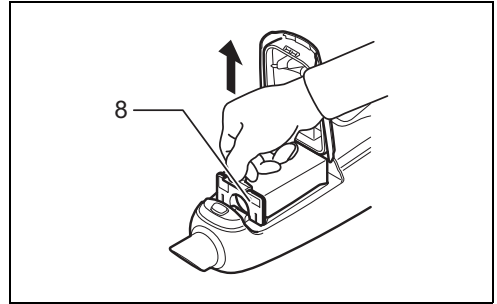
4

014730



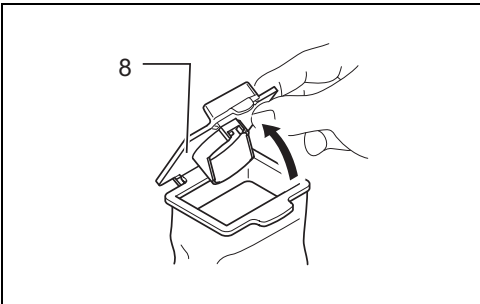
5

014731



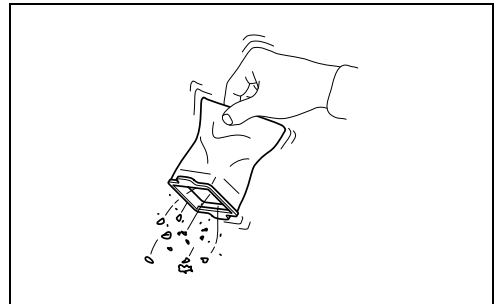
6

014732



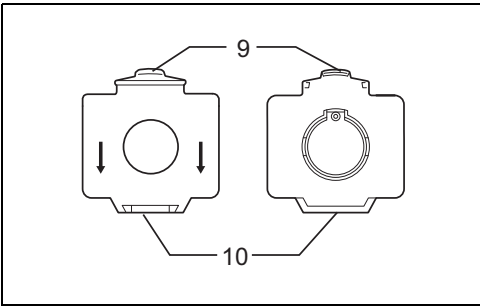
7

008920



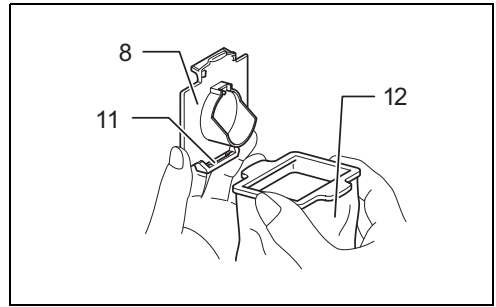
8

008921



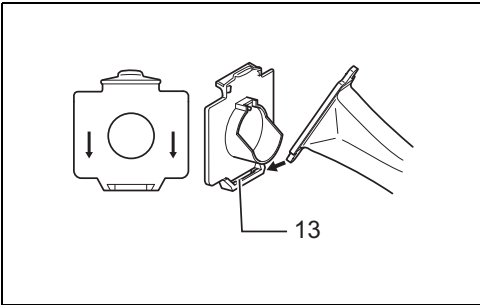
9

008930



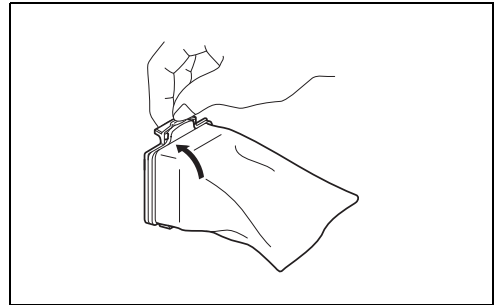
10

008935



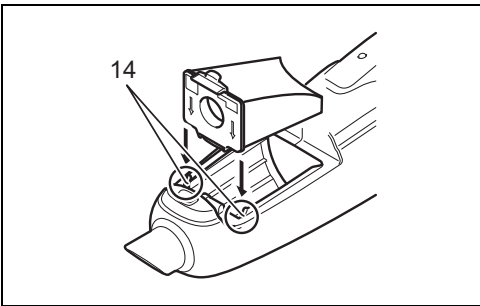
11

008932



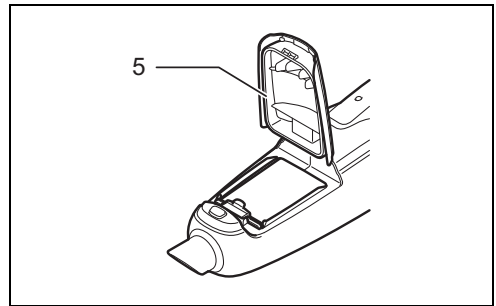
12

014733



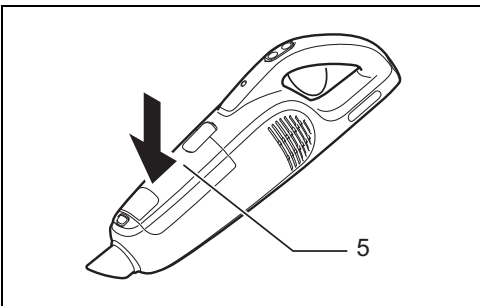
13

014734



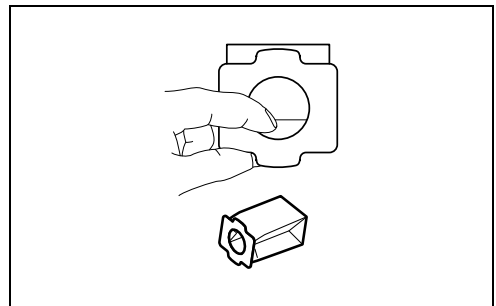
14

014737



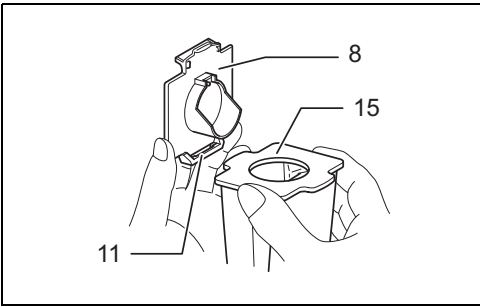
15

014735



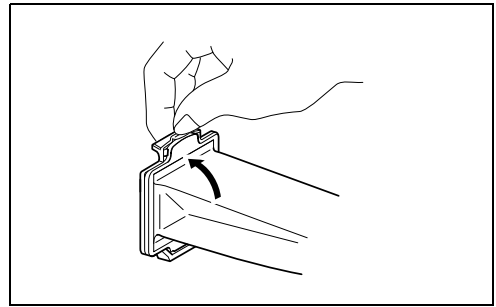
16

008928



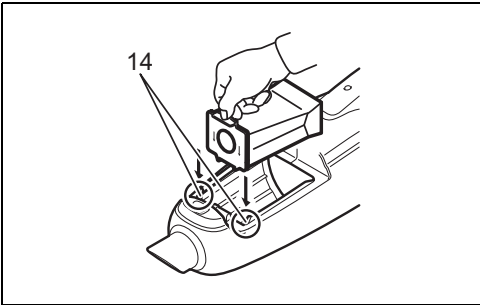
17

008931



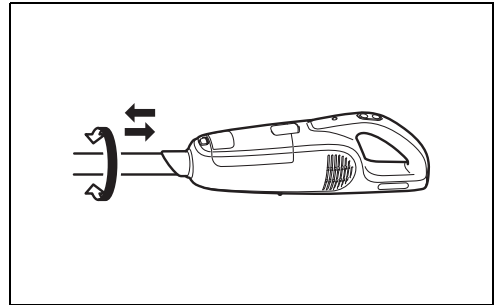
18

008933



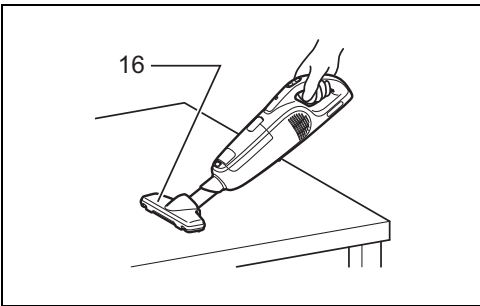
19

014736



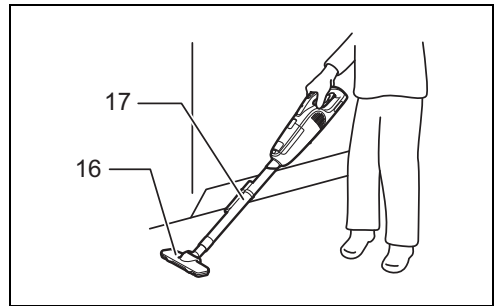
20

014743



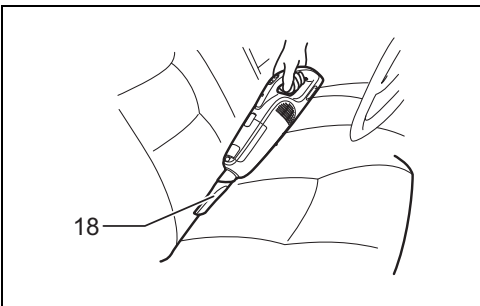
21

014726



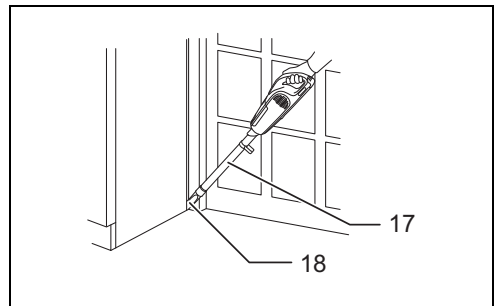
22

014727



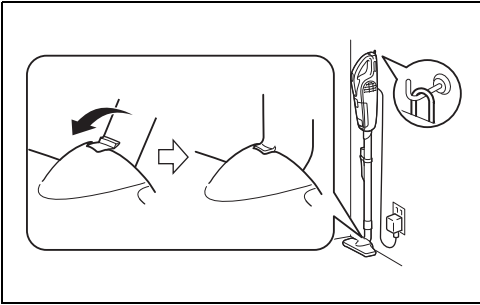
23

014728



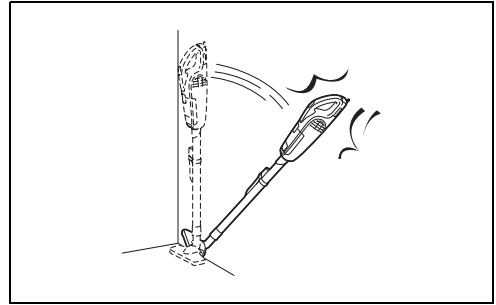
24

014729



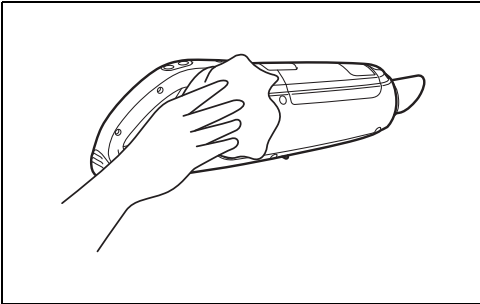
25

015596



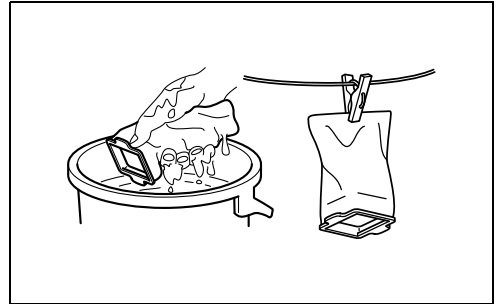
26

015597



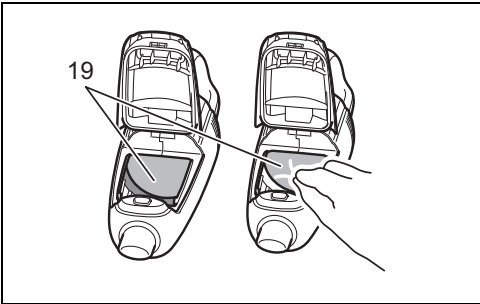
27

014739



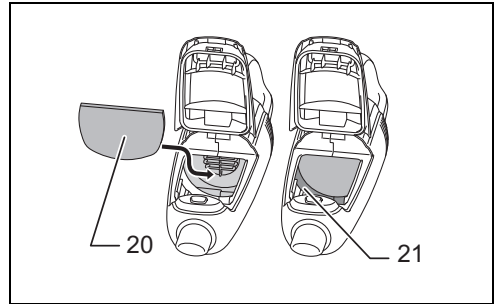
28

008934



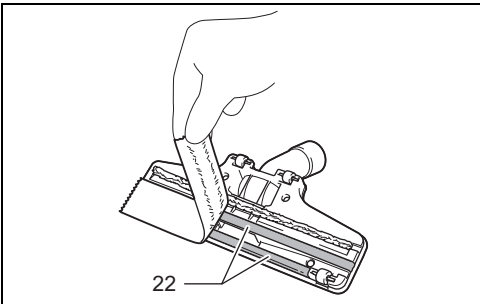
29

014741



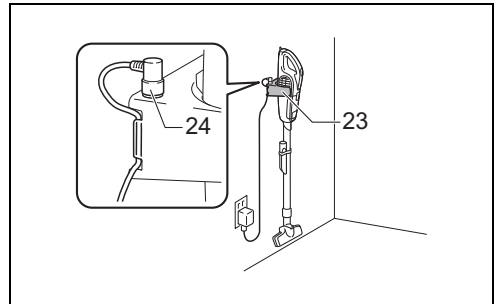
30

014742



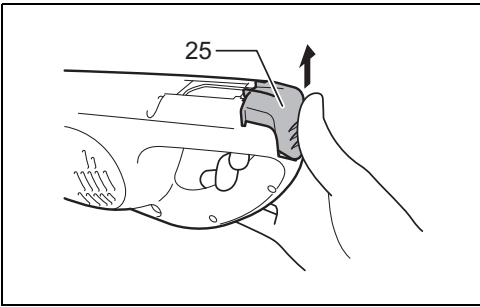
31

1008402



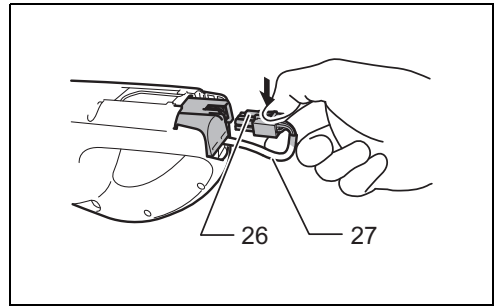
32

1050602



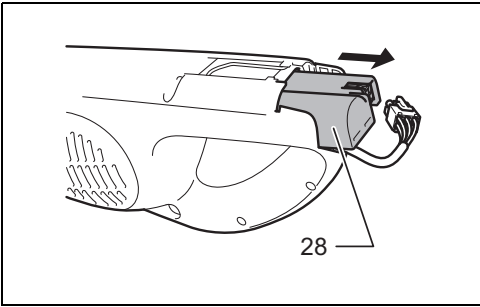
33

014815



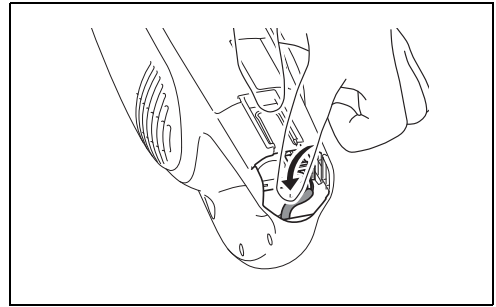
34

014816



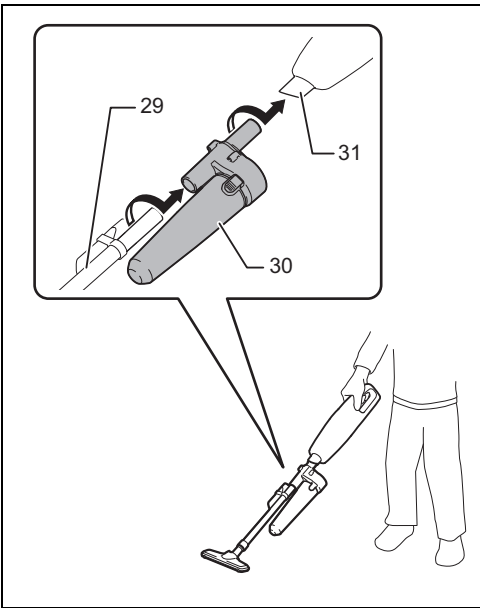
35

014817



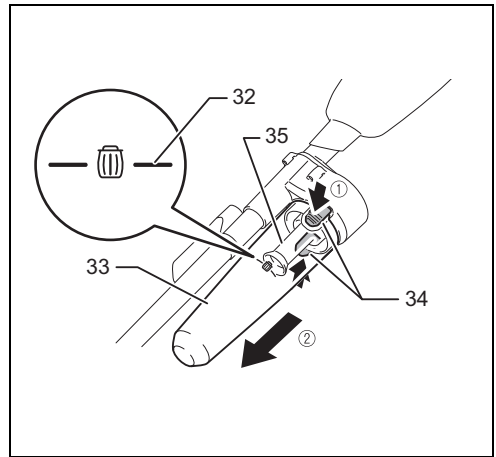
36

CL104D_1_160808



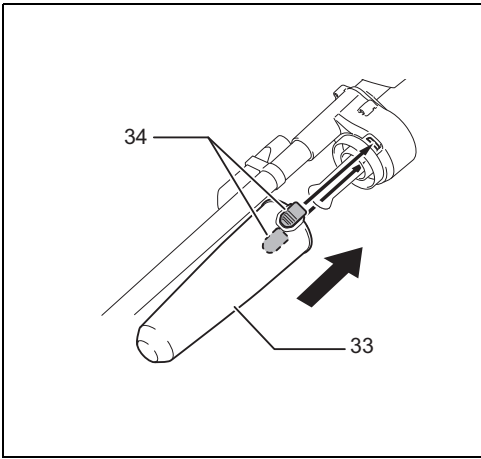
37

1206201



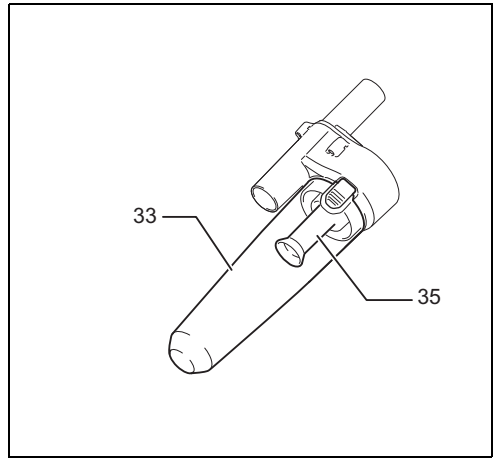
38

1206608



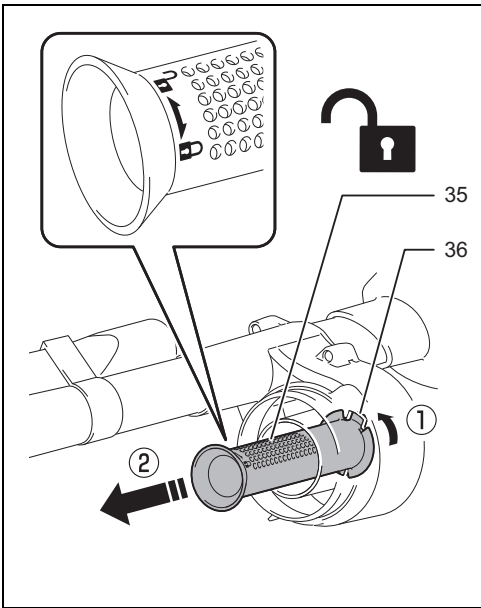
39

1206609



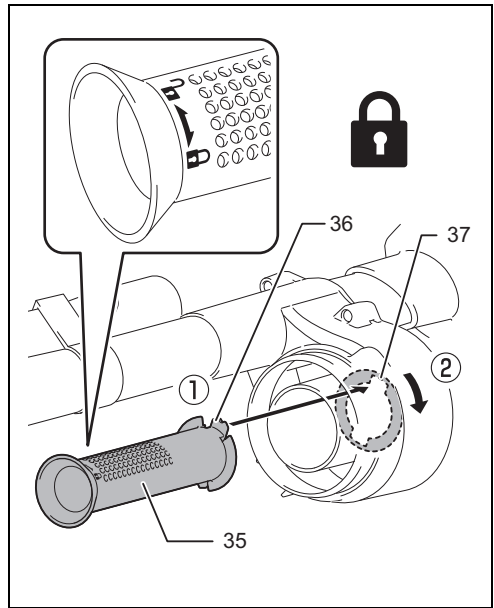
40

1206610



41

1206611



42

1206612

ENGLISH (Original instructions)

WARNING

- This appliance can be used by children aged from 8 years and above and persons with reduced physical, sensory or mental capabilities or lack of experience and knowledge if they have been given supervision or instruction concerning use of the appliance in a safe way and understand the hazards involved.
- Children shall not play with the appliance. Cleaning and user maintenance shall not be made by children without supervision.
- See the chapter "SPECIFICATIONS" for the type reference of the battery.
- See the sections "Removing built-in battery" and "Installing replacement battery" for how to replace the battery.
- The contained lithium-ion batteries are subject to the Dangerous Goods Legislation requirements. When disposing the battery, remove it from the tool and dispose of it in a safe place. Follow your local regulations relating to disposal of battery.
- Under abusive conditions, liquid may be ejected from the battery; avoid contact. If contact accidentally occurs, flush with water.
- If electrolyte gets into your eyes, rinse them out with clear water and seek medical attention right away. It may result in loss of your eyesight.
- See the chapter "SPECIFICATIONS" for the type reference of the charger. For the purposes of recharging the battery, only use the charger provided with the tool.
- See the section "Symbols" for the meaning of the symbols used for the tool.
- See the chapter "MAINTENANCE" for the appropriate details of precautions during user maintenance.

Explanation of general view

- | | | |
|--------------------------------|-------------------------------------|----------------------------|
| 1. Charging connector | 14. Cleaner cavity | 27. Lead wires |
| 2. Battery power lamp | 15. Paper pack | 28. Battery unit |
| 3. ON/speed change button | 16. Nozzle | 29. Straight pipe |
| 4. OFF button | 17. Extension wand | 30. Cyclone attachment |
| 5. Front cover | 18. Corner nozzle | 31. Suction inlet |
| 6. Button | 19. Sponge filter | 32. Full line |
| 7. Front cover joint | 20. Sponge | 33. Dust case |
| 8. Dust stopper | 21. Recessed wall | 34. Button (two locations) |
| 9. Upper side of dust stopper | 22. Brush | 35. Mesh filter |
| 10. Lower side of dust stopper | 23. Wall mount for cordless cleaner | 36. Hook |
| 11. Groove | 24. Plug | 37. Port |
| 12. Dust bag | 25. Rear cover | |
| 13. Lower groove | 26. Connector | |

SPECIFICATIONS

Model		CL104D
Capacity		500 ml (for dust bag)
		330 ml (for paper pack)
Continuous use	3 (Turbo)	Approx. 10 min
	2 (High)	Approx. 15 min
	1 (Low)	Approx. 30 min
Overall length	Without nozzle	446 mm
	With nozzle	983 mm
Net weight		1.1 kg
Rated voltage		D.C. 10.8 V
Replacement battery cartridge (part number varies depending on country)		632C23*4, 632C25*0, 632C26*8
Charger		DC1001

- Due to our continuing program of research and development, the specifications herein are subject to change without notice.
- Specifications and battery cartridge may differ from country to country.
- The weight does not include accessories.
- For the purposes of recharging the battery, only use the charger provided with the tool.

Symbols

END331-1

The followings show the symbols which may be used for the equipment. Be sure that you understand their meaning before use.



..... Read instruction manual.



..... Detachable supply unit

Intended use

ENE017-1

The tool is intended for collecting dry dust.

Cordless cleaner safety warnings

ENA007-2

WARNING: IMPORTANT! READ CAREFULLY all safety warnings and all instructions BEFORE USE .

Failure to follow the warnings and instructions

may result in electric shock, fire and/or serious injury.

1. Do not expose to rain. Store indoors.
2. Do not allow to be used as a toy. Close attention is necessary when used by or near children.
3. Use only as described in this manual. Use only manufacturer's recommended attachments.
4. Do not use with damaged battery. If appliance is not working as it should, has been dropped, damaged, left outdoors, or dropped into water, return it to a service center.
5. Do not handle appliance with wet hands.
6. Do not put any object into openings. Do not use with any opening blocked; keep free of dust, lint, hair, and anything that may reduce air flow.
7. Keep hair, loose clothing, fingers, and all parts of body away from openings and moving parts.
8. Turn off all controls before removing the battery.
9. Use extra care when cleaning on stairs.
10. Do not use to pick up flammable or combustible liquids, such as gasoline, or use in areas where they may be present.
11. Use only the charger supplied by the manufacturer to recharge.
12. Do not pick up anything that is burning or smoking, such as cigarettes, matches, or hot ashes.
13. Do not use without dust bag and/or filters in place.
14. Do not charge the battery outdoors.
15. Recharge only with the charger specified by the manufacturer. A charger that is suitable for one type of battery pack may create a risk of fire when used with another battery pack.
16. Use power tools only with specifically designated battery packs. Use of any other battery packs may create a risk of injury and fire.
17. When (the) battery pack is not in use, keep it away from other metal objects, like paper clips, coins, keys, nails, screws or other small metal objects, that can make a connection from one terminal to another.
18. Under abusive conditions, liquid may be ejected from the battery; avoid contact. If contact accidentally occurs, flush with water.
19. Do not use a battery pack or tool that is damaged or modified. Damaged or modified batteries may

exhibit unpredictable behaviour resulting in fire, explosion or risk of injury.

20. Do not expose a battery pack or tool to fire or excessive temperature. Exposure to fire or temperature above 130 °C may cause explosion.
21. Follow all charging instructions and do not charge the battery pack or tool outside the temperature range specified in the instructions. Charging improperly or at temperatures outside the specified range may damage the battery and increase the risk of fire.

SAVE THESE INSTRUCTIONS.

ADDITIONAL SAFETY RULES

ENB106-3

1. Read this instruction manual and the charger instruction manual carefully before use.
2. Do not pick up the following materials:
 - Hot materials such as lit cigarettes or spark/metal dust generated by grinding/cutting metal
 - Flammable materials such as gasoline, thinner, benzene, kerosene or paint
 - Explosive materials like nitroglycerin
 - Ignitable materials such as Aluminum, zinc, magnesium, titanium, phosphorus or celluloid
 - Wet dirt, water, oil or the like
 - Hard pieces with sharp edges, such as wood chips, metals, stones, glasses, nails, pins or razors
 - Powder to clot such as cement or toner
 - Conductive dust such as metal or carbon
 - Fine particle like concrete dustSuch action may cause fire, injury and/or property damage.
3. Stop operation immediately if you notice anything abnormal.
4. If you drop or strike the cleaner, check it carefully for cracks or damage before operation.
5. Do not charge the cleaner close to dangerous flammable materials such as gasoline, gas, paint or adhesives.
6. Do not charge the cleaner on papers, cloth, carpet, vinyl, etc. This may cause a fire.
7. Do not charge the cleaner in a dusty place.
8. Be sure no one is below when using the cleaner in high locations.
9. Do not bring close to stoves or other heat sources.
10. Do not block the intake hole or vent holes.

SAVE THESE INSTRUCTIONS.

IMPORTANT SAFETY INSTRUCTIONS

ENC010-3

FOR BUILT-IN BATTERY

1. Before using built-in battery, read all instructions and cautionary markings on (1) battery charger, (2) battery, and (3) product using battery.
2. Do not disassemble built-in battery.

3. **If operating time has become excessively shorter, stop operating immediately. It may result in a risk of overheating, possible burns and even an explosion.**
4. **If electrolyte gets into your eyes, rinse them out with clear water and seek medical attention right away. It may result in loss of your eyesight.**
5. **Do not short the built-in battery:**
 - (1) **Do not touch the terminals with any conductive material.**
 - (2) **Avoid storing built-in battery in a container with other metal objects such as nails, coins, etc.**
 - (3) **Do not expose built-in battery to water or rain.**
A battery short can cause a large current flow, overheating, possible burns and even a breakdown.
6. **Do not store and use the tool and built-in battery in locations where the temperature may reach or exceed 50 °C (122 °F).**
7. **Do not incinerate the built-in battery even if it is severely damaged or is completely worn out. The built-in battery can explode in a fire.**
8. **Be careful not to drop or strike battery.**
9. **Do not use a damaged built-in battery.**
10. **The contained lithium-ion batteries are subject to the Dangerous Goods Legislation requirements. When disposing the battery, remove it from the tool and dispose of it in a safe place. Follow your local regulations relating to disposal of battery.**
11. **Use the batteries only with the products specified by Makita.**

SAVE THESE INSTRUCTIONS.

Tips for maintaining maximum battery life

1. **Charge the built-in battery before completely discharged.**
Always stop tool operation and charge the built-in battery when you notice less tool power.
2. **Never recharge a fully charged built-in battery. Overcharging shortens the battery service life.**
3. **Charge the built-in battery with room temperature at 10°C - 40°C (50°F - 104°F). Let a hot built-in battery cool down before charging it.**
4. **Charge the built-in battery once in every six months if you do not use the tool for a long period of time.**

FUNCTIONAL DESCRIPTION

CAUTION:

- Always be sure that the tool is switched off before adjusting or checking function on the tool.

Charging the built-in battery

CAUTION:

- Do not operate the cleaner during charging. It may be damaged.
- Always disconnect the charging plug from the cleaner after charging.

- When you charge a new cleaner or a cleaner which has been left uncharged for a long time, it may not accept a full charge. This is a normal condition and does not indicate a problem. You can recharge the cleaner fully after discharging it completely a couple of times.

Use only the Makita charger DC1001 to charge this cleaner. Use of the other type chargers may cause the battery to burst, result in personal injury and damage. Charge the cleaner when using it for the first time or uncharged for a long time. Connect the charging plug to the charging connector, then plug in the charger to the power receptacle. The battery power lamp lights up and start charging. Charging takes approximately 3 hours. The light goes out after the charging is complete. For more details, refer to the instruction manual of battery charger. (Fig. 1 & 2)

Switch action

CAUTION:

- Always be sure that the dust bag or paper pack is installed properly in the cleaner before use. Improper installation may allow dust to enter the motor, resulting in malfunction of the cleaner.
- Always switch off the cleaner after each use to prevent damage to the cleaner and to extend the service life of the batteries.

To start the cleaner, simply push the ON/speed change button. To switch off, push the OFF button.

You can change the cleaner speed in three steps by pushing the ON/speed change button.

The first push on this button is for high speed mode, the second push for max speed mode and the third push for normal speed. Each push on this button repeats the high/max/normal speed cycle alternatively. (Fig. 3)

Battery power lamp (Fig. 2)

When the remaining battery capacity gets low, the battery power lamp blinks.

When the remaining battery capacity gets much lower, the tool stops and the battery power lamp lights up about 10 seconds. At this time, charge the cleaner.

NOTE:

- The time at which the battery power lamp start blinking or lighting up depends on the temperature at work place and the battery cartridge conditions.

ASSEMBLY

Disposing of Dust

CAUTION:

- Empty the cleaner before it becomes too full, or the suction force weakens.
 - Be sure to empty out the dust inside the cleaner itself. Failure to do so may cause the sponge filter to be clogged or the motor to be damaged.
 - Never throw away the dust stopper because it should be used whenever either the dust bag or the paper pack is used.
1. Push the button to open the front cover. Opening it until a click is heard allows a positive stop at that position. (Fig. 4)

CAUTION:

- When closing the front cover, be careful not to pinch your fingers.

NOTE:

- The front cover comes off when trying to open the front cover more than 90°. If the front cover comes off, install it into the front cover joint in place. (Fig. 5)
2. Pull out both the orange-colored dust stopper and dust bag together at the same time. (Fig. 6)
 3. Remove the dust stopper and empty the cleaner. (Fig. 7 & 8)

Dust bag and paper pack

Install either dust bag or paper pack before using cleaner. Use the dust stopper when installing either dust bag or paper pack.

Dust bag are usable many times repeatedly by cleaning it out.

Paper pack is a throw-away type. Throw away the entire paper pack without emptying when it has become full.

Installing dust bag (Fig. 9)

Use the dust stopper when installing dust bag. Be careful not to take the upper side for the lower side by mistake because they are different each other.

1. Insert the protrusion of the dust bag into the groove in the dust stopper as shown in the figure. (Fig. 10)
2. There is no distinction between the upper and lower sides of the dust bag. You may insert its protrusion of any side into the lower groove of the dust stopper. (Fig. 11)
3. Overlap the frame of dust stopper with that of the dust bag. (Fig. 12)
4. Place the dust stopper and the dust bag together into the cleaner cavity in the same direction of arrow on the dust stopper. Insert them all the way into the slots in the cleaner cavity. (Fig. 13)
5. Place the entire cloth part of the dust bag inside the tool itself. (Fig. 14)
6. Close the front cover completely. (Fig. 15)

Installing the paper pack

1. Unfold the entrance of the paper pack before setting it on the dust stopper. (Fig. 16)

Use the dust stopper also when installing paper pack. Be careful not to take the upper side for the lower side by mistake because they are different each other. (Fig. 9)

2. Insert the protrusion of the paper pack into the groove in the dust stopper as shown in the figure. (Fig. 17)
3. There is no distinction between the upper and lower sides of the paper pack. You may insert its protrusion of any side into the lower groove of the dust stopper. (Fig. 11)
4. Overlap the frame of dust stopper with that of the paper pack. (Fig. 18)
5. Place the dust stopper and the paper pack together into the cleaner cavity in the same direction of arrow on the dust stopper. Insert them all the way into the slots in the cleaner cavity. (Fig. 19)
6. Place the entire container part of the paper pack inside the tool itself. (Fig. 14)
7. Close the front cover completely.

CAUTION:

- Install the dust stopper with the dust bag or paper pack properly. Tool operation without proper installation of them, or using broken or ripped one, it may allow dust to get into the motor. This may result in motor failure.
- Do not fold the cardboard at its opening when installing the paper pack.
- Never throw away the dust stopper because it needs to be used repeatedly whenever either the dust bag or the paper pack is used.
- The paper pack for the cleaner is an important component for maintaining the tool performance. If you use the other genuine paper pack, it may cause smokes or ignition.

OPERATION (Fig. 20)

To connect attachments, such as nozzle, twist and insert them to ensure secure connection during use. To disconnect attachments, twist and remove them.

Cleaning (Suction)

Nozzle (Fig. 21)

Attach the nozzle to clean off tables, desks, furniture, etc. Nozzle slips on easily.

Nozzle + Extension wand (Straight pipe) (Fig. 22)

The extension wand fits in between the nozzle and the cleaner itself. This arrangement is convenient for cleaning a floor while standing erect.

Corner nozzle (Fig. 23)

Fit on the corner nozzle for cleaning corners and crevices of a car or furniture.

Corner nozzle + Extension wand (Straight pipe) (Fig. 24)

In tight quarters where the cleaner itself cannot squeeze in, or in high places hard to reach, use this arrangement.

MAINTENANCE

CAUTION:

- Always be sure that the tool is switched off before attempting to perform inspection or maintenance.

After use

When storing or charging the cleaner, lock the nozzle head, and hang it from a hook available in the market. (Fig. 25)

CAUTION:

- Putting the cleaner against the wall without a hook may cause the cleaner to fall down and be damaged. (Fig. 26)

Cleaning (Fig. 27)

From time to time wipe off the outside (cleaner body) of the cleaner using a cloth dampened in soapy water. Clean out also the suction opening, dust bag/paper pack mounting area and the dust stopper.

CAUTION:

- Never use gasoline, benzene, thinner, alcohol or the like. Discoloration, deformation or cracks may result.

Wash the dust bag in soapy water when it is clogged with dust and the cleaner power becomes small. Dry it out thoroughly before use. An insufficiently dried bag may cause poor suction and shorten the service life of the motor. (Fig. 28)

NOTE:

- Paper pack is a throw-away type.

When the sponge filter is clogged with dust, remove it from the cleaner and then wipe it off or wash in water.

Removing and installing the sponge filter

To remove the sponge filter, remove the dust bag or paper pack and then pinch and take it out. (Fig. 29)

Press in the whole edge of the sponge filter against the recessed wall inside the dust bag/paper pack mounting area. (Fig. 30)

 **CAUTION:**

- After cleaning sponge filter, be sure to install it on the cleaner. If washed in water, dry it up before installing. An insufficiently dried sponge filter may shorten the service life of the motor.

The nozzle cleaning

When the nozzle brush gets dusty, clean up the dust with sticky. (Fig. 31)

Wall mount for cordless cleaner

Optional accessory

NOTE:

- The screw to mount the holder is not included. Prepare a screw which fits with the material to screw into.

Attach the wall mount for cordless cleaner to a hard wooden wall, beam or column, where the wall mount for cordless cleaner can be firmly secured. Always be sure that the wall mount for cordless cleaner is securely attached before hanging the cleaner. (Fig. 32)

 **CAUTION:**

- **Do not hang the cleaner to the wall mount violently or hang other appliances than the cleaner.**

NOTE:

- When you don't charge the cleaner, the plug can be stored on the wall mount for cordless cleaner as illustrated.

TROUBLE SHOOTING

Before asking for repairs, conduct your own inspection first. If you find a problem that is not explained in the manual, do not attempt to dismantle the tool. Instead, ask Makita Authorized Service Centers, always using Makita replacement parts for repairs.

Symptom	Area to be investigated	Fixing method
Weak suction power	Is dust bag or paper pack full of dust?	Empty dust bag or paper pack.
	Is dust bag clogged?	Dust down or wash the dust bag.
	Is paper pack clogged?	Replace paper pack.
	Is the battery cartridge discharged?	Charge the battery.
Not working	Is the battery cartridge discharged?	Charge the battery.

014744

NOTE:

- Do not attempt to repair cleaner by yourself.

Disposing cleaner

A Li-ion battery is built into this cleaner. Always remove it before disposing of the cleaner.

Removing built-in battery

⚠ CAUTION:

- Do not touch the terminals with any conductive material.
 - Avoid storing battery unit in a container with other metal objects such as nails, coins, etc.
 - Do not expose battery unit to water or rain.
 - Do not disassemble or alter battery unit.
 - The cleaner must be disconnected from the supply mains when removing the battery.
1. To remove the rear cover, push it in the direction of the arrow. (Fig. 33)
 2. Slide the built-in battery halfway. Disconnect the lead wires from the battery by slightly moving back the battery while pressing the connector in the direction of arrow shown in the figure. (Fig. 34)
 3. Then slide the battery unit completely. (Fig. 35)
 4. Put the removed battery unit in a carton box so that it is not circuit-shortened.

Installing replacement battery

To install the replacement battery, follow the removal procedure in reverse.

⚠ **CAUTION: Route the lead so that it is completely stored inside the cleaner before putting the rear cover back in the original position.** Failure to do this may damage the lead. (Fig. 36)

After installing the battery (see "SPECIFICATIONS"), charge the battery before use.

To maintain product SAFETY and RELIABILITY, repairs, any other maintenance or adjustment should be performed by Makita Authorized Service Centers, always using Makita replacement parts.

OPTIONAL ACCESSORIES

⚠ CAUTION:

- These accessories or attachments are recommended for use with your Makita cleaner specified in this manual. The use of any other accessories or attachments might present a risk of injury to persons. Only use accessory or attachment for its stated purpose.

If you need any assistance for more details regarding these accessories, ask your local Makita Service Center.

- Extension wand (Straight pipe)
- Nozzle
- Nozzle for carpet
- Shelf brush
- Corner nozzle
- Round brush
- Flexible hose
- Paper pack
- Wall mount for cordless cleaner
- Cyclone attachment
- Replacement battery

NOTE:

- Some items in the list may be included in the tool package as standard accessories. They may differ from country to country.

Cyclone attachment (Fig. 37)

About the cyclone attachment

Using the cleaner with the cyclone attachment installed reduces the amount of dust that enters the dust bag, which helps to prevent the suction force from weakening. In addition, cleaning after use is also simple.

⚠ CAUTION:

- **Always be sure that the tool is switched off and the battery cartridge is removed before carrying out any work on the tool.** If the battery cartridge is left inserted, the cleaner may start unexpectedly and result in injury.
- **Clean the mesh filter of the cyclone attachment and the dust bag of the cleaner unit when they become clogged.** Continued use in the clogged condition may result in heating or smoke.

NOTICE:

- **When the cyclone attachment is attached, do not use the cleaner in the horizontal or upward facing condition.** Doing so may cause the mesh filter to become clogged.
- **Always use the cleaner with the dust bag installed, even when using the cyclone attachment.** Using the cleaner without the dust bag installed may result in a motor malfunction.

NOTE:

- Check that the cyclone attachment, cleaner, and straight pipe are locked properly before use.
- Empty the dust case of the cyclone attachment and the dust bag of the cleaner when dust has accumulated. Continued use will result in weakened suction force.

Disposing of dust

When dust has accumulated up to the full line of the dust case, follow the procedure below and dispose of the dust.

1. Hold the dust case firmly, press and hold the two buttons, and remove the dust case. **(Fig. 38)**
2. Dispose of the dust inside the dust case and remove any dust and powder adhered to the surface of the mesh filter.
3. Insert the dust case all the way until the two buttons lock with a click. **(Fig. 39)**

NOTE:

- Check that the cyclone attachment, cleaner, and straight pipe are all firmly connected before restarting operation.
- If the suction force does not recover even after disposing of the dust and cleaning the mesh filter, check whether dust has accumulated in the dust bag of the cleaner or clogging has occurred.

Cleaning

When the dust case becomes dirty or the mesh filter is clogged, remove and wash them with water. (Refer to "Disposing of dust" for the removal procedure.)

Dry the parts thoroughly before reinstallation and use.

(Fig. 40)

When the mesh filter gets dirty badly, clean it in the following procedures.

1. Turn the mesh filter counterclockwise and remove it while the hooks are unlocked. **(Fig. 41)**
2. Remove the dust on the mesh filter and then wash it with water. After that, dry it thoroughly.
3. Insert the mesh filter into the base while the hooks are aligned with the port. Turn the mesh filter clockwise until the hooks are locked with a click. Make sure that the mesh filter is installed securely. **(Fig. 42)**

BAHASA INDONESIA (Petunjuk Asli)

PERINGATAN

- Peralatan ini dapat digunakan oleh anak-anak berumur 8 tahun ke atas dan orang dengan kekurangan kemampuan fisik, indra, atau jiwa atau kurangnya pengalaman dan pengetahuan jika mereka diawasi atau panduan yang berkaitan dengan penggunaan peralatan secara aman dan pemahaman bahaya yang dapat terjadi.
- Jangan membiarkan anak-anak bermain dengan peralatan ini. Pembersihan dan perawatan pengguna tidak boleh dilakukan oleh anak-anak tanpa pengawasan.
- Lihat bagian "SPESIFIKASI" untuk mengetahui referensi tipe baterai.
- Lihat bagian "Melepas baterai built-in" dan "Memasang baterai pengganti" untuk mengetahui cara mengganti baterai.
- Baterai litium-ion yang ada di dalamnya sesuai dengan persyaratan Undang-Undang Barang Berbahaya. Ketika membuang baterai, lepaskan dari mesin dan buang ke tempat yang aman. Patuhi peraturan setempat yang berkaitan dengan pembuangan baterai.
- Jika digunakan secara tidak benar, dapat menyebabkan keluarnya cairan dari baterai; hindari kontak. Jika terjadi kontak secara tidak sengaja, bilas dengan air.
- Jika elektrolit mengenai mata Anda, basuh dengan air bersih dan segera cari pertolongan medis. Hal tersebut dapat mengakibatkan hilangnya kemampuan penglihatan Anda.
- Lihat bagian "SPESIFIKASI" untuk mengetahui referensi tipe pengisi daya. Untuk mengisi ulang baterai, gunakan hanya pengisi daya yang disediakan dengan mesin.
- Lihat bagian "Simbol" untuk mengetahui arti dari berbagai simbol yang digunakan pada mesin.
- Lihat bagian "PEMELIHARAAN" untuk mengetahui detail tindakan pencegahan yang sesuai selama perawatan oleh pengguna.

Penjelasan tampilan keseluruhan

- | | | |
|---------------------------------|---------------------------------------------------|-------------------------------|
| 1. Konektor pengisian | 14. Rongga pembersih | 26. Konektor |
| 2. Lampu daya baterai | 15. Pak kertas | 27. Kabel daya |
| 3. Tombol pengubah kecepatan/ON | 16. Nozel | 28. Unit baterai |
| 4. Tombol OFF (Mati) | 17. Pipa perpanjangan | 29. Pipa lurus |
| 5. Penutup depan | 18. Nozel sudut | 30. Perangkat tambahan siklon |
| 6. Tombol | 19. Filter spons | 31. Tempat masuk pengisap |
| 7. Engsel penutup depan | 20. Spons | 32. Garis batas |
| 8. Penghenti debu | 21. Dinding berceruk | 33. Wadah debu |
| 9. Sisi atas penghenti debu | 22. Sikat | 34. Tombol (dua lokasi) |
| 10. Sisi bawah penghenti debu | 23. Gantungan dinding untuk pembersih tanpa kabel | 35. Saringan jala |
| 11. Alur | 24. Steker | 36. Kait |
| 12. Kantung debu | 25. Tutup belakang | 37. Port |

SPESIFIKASI

Model	CL104D	
Kapasitas	500 ml (untuk kantung debu)	
	330 ml (untuk pak kertas)	
Penggunaan terus-menerus	3 (Turbo)	Sekitar 10 men
	2 (Tinggi)	Sekitar 15 men
	1 (Rendah)	Sekitar 30 men
Panjang keseluruhan	Tanpa nozel	446 mm
	Dengan nozel	983 mm
Berat bersih	1,1 kg	
Tegangan yang sesuai	D.C. 10,8 V	
Kartrid baterai pengganti (nomor suku cadang berbeda-beda tergantung negara)	632C23*4, 632C25*0, 632C26*8	
Pengisi baterai	DC1001	

- Karena kesinambungan program penelitian dan pengembangan kami, spesifikasi yang disebutkan di sini dapat berubah tanpa pemberitahuan.
- Spesifikasi dan kartrid baterai dapat berbeda dari satu negara ke negara lainnya.
- Berat ini tidak termasuk aksesoris.
- Untuk mengisi ulang baterai, gunakan hanya pengisi daya yang disediakan dengan mesin.

Simbol-simbol

END331-1

Berikut ini adalah simbol-simbol yang dapat digunakan pada peralatan ini. Pastikan Anda memahami arti masing-masing simbol sebelum menggunakan peralatan.



..... Baca petunjuk penggunaan.



..... Unit suplai yang dapat dilepaskan

Maksud penggunaan

ENE017-1

Alat ini dimaksudkan untuk mengumpulkan debu kering.

Peringatan keselamatan pembersih tanpa kabel

ENA007-2

⚠ PERINGATAN: PENTING BACALAH semua peringatan keselamatan dan semua petunjuk SEBELUM MENGGUNAKAN DENGAN SAKSAMA.

Kelalaian mematuhi peringatan dan petunjuk dapat menyebabkan sengatan listrik, kebakaran, dan/atau cedera serius.

1. Jangan biarkan terkena hujan. Simpanlah di dalam ruangan.
2. Jangan biarkan alat digunakan sebagai mainan. Beri perhatian penuh bila alat ini digunakan oleh atau di dekat anak-anak.
3. Gunakan hanya sebagaimana diuraikan dalam buku petunjuk ini. Gunakan hanya alat tambahan yang disarankan oleh pabrik pembuat.
4. Jangan gunakan alat dengan baterai yang rusak. Jika perkakas tidak bekerja sebagaimana seharusnya, pernah jatuh, rusak, dibiarkan di luar ruangan, atau jatuh ke dalam air, kembalikanlah ke pusat servis.
5. Jangan tangani perkakas dengan tangan basah.
6. Jangan memasukkan benda apa pun ke lubang-lubang perkakas. Jangan gunakan bila ada lubang alat yang tersumbat/tertutup; jaga alat bebas dari debu, serat, rambut, dan apa pun yang dapat menghambat aliran udara.
7. Jauhkan rambut, pakaian kedodoran, jari, dan semua anggota badan dari lubang dan bagian alat yang bergerak.
8. Matikan semua alat pengendali sebelum melepaskan baterai.
9. Ekstra hati-hatilah saat membersihkan undak-undakan tangga.
10. Jangan gunakan alat untuk menyedot cairan mudah menyala atau mudah terbakar, seperti bensin, atau menggunakannya di tempat di mana bahan demikian ada.
11. Gunakan hanya pengisi baterai (charger) yang dipasok oleh pabrik pembuat untuk mengisi ulang baterai.
12. Jangan menyedot benda apa pun yang terbakar atau berasap, seperti rokok, korek, atau abu panas.
13. Jangan menggunakan tanpa kantong debu dan/atau saringan pada tempatnya.
14. Jangan mengisi baterainya di luar ruangan.
15. Isi ulang baterai hanya dengan pengisi baterai (charger) yang ditentukan oleh pabrik pembuat alat. Pengisi baterai yang cocok untuk suatu jenis

baterai dapat menimbulkan risiko kebakaran bila digunakan dengan baterai lain.

16. **Gunakan alat listrik hanya dengan baterai yang khusus ditentukan untuknya.** Penggunaan baterai yang lain dapat menimbulkan risiko cedera dan kebakaran.
17. **Bila baterai tidak sedang digunakan, jauhkanlah dari benda logam lain, seperti klip kertas, koin, kunci, paku, sekrup, atau benda logam kecil lainnya, yang dapat menjadi penghubung antara terminal-terminalnya.**
18. **Bila disalahgunakan, baterai dapat mengeluarkan cairan; hindari terkena cairan ini. Jika terkena cairan ini secara tidak sengaja, bilaslah dengan air.**
19. **Jangan menggunakan baterai atau alat yang rusak atau sudah dimodifikasi.** Baterai yang rusak atau sudah dimodifikasi dapat menunjukkan perilaku tidak terduga yang mengakibatkan kebakaran, ledakan, atau risiko cedera.
20. **Jangan memaparkan baterai atau alat pada api atau suhu yang berlebihan.** Keterpaparan pada api atau suhu di atas 130°C dapat menyebabkan ledakan.
21. **Ikuti semua petunjuk pengisian baterai dan jangan mengisi baterai atau alat di luar kisaran suhu yang disebutkan dalam petunjuk.** Mengisikan daya dengan tidak benar atau pada suhu di luar kisaran yang ditentukan dapat merusak baterai dan meningkatkan risiko kebakaran.

SIMPAN PETUNJUK INI.

Kaidah Keselamatan Tambahan

ENB106-3

1. Bacalah petunjuk penggunaan ini dan petunjuk penggunaan pengisi baterai dengan teliti sebelum menggunakan.
2. Jangan menyedot bahan-bahan berikut:
 - Bahan panas seperti rokok yang menyala atau sisa-sisa bunga api/logam yang berasal dari pekerjaan pengerindaan/pemotongan logam
 - Bahan mudah menyala seperti bensin, tiner, minyak tanah, atau cat
 - Bahan mudah meledak seperti nitroglicerine
 - Bahan mudah tersulut seperti Aluminium, seng, magnesium, titanium, fosfor, atau seluloid
 - Kotoran basah, air, minyak, atau bahan serupa
 - Potongan benda keras dengan tepian tajam, seperti tatal kayu, logam, batu, kaca, kuku, pin, atau pisau cukur
 - Bubuk yang bisa menyumbat seperti semen atau zat warna (toner)
 - Debu konduktif seperti logam atau karbon
 - Partikel halus seperti debu betonTindakan demikian dapat menyebabkan kebakaran, cedera, dan/atau kerusakan harta benda.
3. Hentikan penggunaan segera jika Anda melihat sesuatu yang tidak normal.
4. Jika pembersih ini sampai terjatuh atau terpukul, periksalah dengan teliti dari keretakan atau kerusakan sebelum menggunakannya.

- Jangan mengisi daya pembersih di dekat bahan mudah menyala berbahaya seperti bensin, gas, cat, atau lem.
- Jangan mengisi daya pembersih di atas kertas, kain, karpet, vinil, dll. Tindakan ini dapat menyebabkan kebakaran.
- Jangan mengisi daya pembersih di tempat yang berdebu.
- Pastikan tidak ada orang di bawahnya bila Anda menggunakan pembersih ini di tempat tinggi.
- Jangan membawanya ke dekat kompor atau sumber panas lainnya.
- Jangan memblokir/menutupi lubang masuk atau lubang keluar udara.

SIMPAN PETUNJUK INI.

PETUNJUK KESELAMATAN PENTING

ENC010-3

UNTUK BATERAI BUILT-IN

- Sebelum menggunakan baterai built-in, bacalah semua petunjuk dan tanda pada (1) pengisi daya baterai, (2) baterai, dan (3) produk yang menggunakan baterai.
- Jangan membongkar baterai built-in.
- Jika waktu beroperasinya menjadi sangat singkat, segera hentikan penggunaan. Hal tersebut dapat menimbulkan risiko panas berlebih, kemungkinan mengalami luka bakar atau bahkan terjadi ledakan.
- Jika elektrolit mengenai mata Anda, basuh dengan air bersih dan segera cari pertolongan medis. Hal tersebut dapat mengakibatkan hilangnya kemampuan penglihatan Anda.
- Hindari terjadinya arus pendek pada baterai built-in:
 - Jangan menyentuh terminal dengan bahan penghantar listrik apa pun.
 - Hindari menyimpan baterai built-in pada wadah yang berisi benda logam lain seperti paku, uang logam, dsb.
 - Jangan membiarkan baterai built-in terkena air atau kehujanan. Hubungan singkat baterai dapat menyebabkan aliran arus listrik yang besar, panas berlebih, kemungkinan mengalami luka bakar dan bahkan kerusakan pada baterai.
- Jangan menyimpan dan menggunakan mesin dan baterai built-in di tempat dengan suhu yang dapat mencapai 50 °C (122 °F) atau lebih.
- Jangan membuang baterai built-in di tempat pembakaran sampah walaupun benar-benar rusak atau tidak bisa digunakan sama sekali. Baterai built-in bisa meledak jika terbakar.
- Berhati-hatilah jangan sampai baterai jatuh atau terbentur.
- Jangan menggunakan baterai built-in yang rusak.
- Baterai litium-ion yang ada di dalamnya sesuai dengan persyaratan Undang-Undang Barang Berbahaya. Ketika membuang baterai, lepaskan dari mesin dan buang ke tempat yang aman.

- Patuhi peraturan setempat yang berkaitan dengan pembuangan baterai.
- Gunakan baterai hanya dengan produk yang ditentukan oleh Makita.

SIMPAN PETUNJUK INI.

Tip untuk menjaga agar umur pemakaian baterai maksimum

- Isi daya baterai built-in sebelum habis sama sekali. Selalu hentikan penggunaan mesin dan isi daya baterai built-in jika Anda melihat bahwa mesin kurang tenaga.
- Jangan pernah mengisi ulang daya baterai built-in yang sudah terisi penuh. Pengisian ulang yang berlebih memperpendek umur pemakaian baterai.
- Isi daya kartrid baterai pada suhu ruangan 10 °C - 40 °C (50 °F - 104 °F). Biarkan baterai built-in yang panas menjadi dingin terlebih dahulu sebelum diisi daya.
- Isi ulang baterai built-in sekali dalam enam bulan jika Anda tidak menggunakannya dalam jangka waktu yang lama.

DESKRIPSI FUNGSI

⚠ PERHATIAN:

- Selalu pastikan alat sudah dimatikan sebelum menyetel atau memeriksa fungsi alat.

Mengisi baterai tertanam

⚠ PERHATIAN:

- Jangan mengoperasikan pembersih selama mengisi baterainya. Tindakan ini dapat menyebabkan kerusakan pada alat.
- Selalu cabut steker pengisian dari pembersih setelah pengisian selesai.
- Ketika Anda mengisi daya pembersih baru atau pembersih yang sudah lama dibiarkan tidak diisi daya, baterainya mungkin tidak bisa terisi hingga penuh. Ini adalah kondisi normal dan tidak menunjukkan masalah. Anda dapat mengisi ulang baterai pembersih sampai penuh setelah mengosongkan dayanya sampai habis beberapa kali.

Gunakan hanya pengisi baterai (charger) Makita DC1001 untuk mengisi baterai pembersih ini. Penggunaan pengisi baterai jenis lain dapat menyebabkan baterai meledak, yang mengakibatkan cedera dan kerusakan. Isilah baterai pembersih ketika akan menggunakannya untuk pertama kalinya atau setelah lama tidak diisi. Hubungkan steker pengisian ke konektor pengisian, kemudian tancapkan pengisi baterai ke stopkontak daya. Lampu daya baterai menyala dan mulai mengisi. Pengisian daya membutuhkan waktu sekitar 3 jam. Lampu akan mati setelah pengisian selesai. Untuk informasi lebih terperinci, rujuklah petunjuk penggunaan pengisi baterai. (Gb. 1 & 2)

Gerakan sakelar

PERHATIAN:

- Selalu pastikan bahwa kantong debu atau pak kertas terpasang dengan benar di dalam pembersih sebelum menggunakannya. Pemasangan yang tidak benar akan membuat debu bisa masuk ke dalam motor, sehingga mengakibatkan malfungsi pembersih.
- Selalu matikan pembersih setiap kali setelah digunakan untuk mencegah kerusakan pada pembersih dan memperpanjang usia pakai baterainya.

Untuk memulai pengoperasian, cukup tekan tombol pengubah kecepatan/ON. Untuk mematikan, tekan tombol OFF.

Anda dapat mengubah kecepatan pengoperasian melalui tiga langkah dengan menekan tombol pengubah kecepatan/ON. Menekan pertama pada tombol ini adalah untuk mode kecepatan tinggi, tekanan kedua untuk mode kecepatan maksimal dan tekanan ketiga untuk kecepatan normal. Setiap menekan pada tombol ini akan mengulangi siklus tekanan tinggi/maksimal/normal secara bergantian. (Gb. 3)

Lampu daya baterai (Gb. 2)

Bila kapasitas baterai yang tersisa tinggal sedikit, lampu daya baterai berkedip.

Bila kapasitas baterai yang tersisa tinggal sangat sedikit, alat akan berhenti dan lampu daya baterainya menyala selama sekitar 10 detik. Pada saat ini, isi baterai pembersih.

CATATAN:

- Kapan lampu daya baterai mulai berkedip atau menyala tergantung pada suhu di tempat kerja dan kondisi kartrid baterai.

PERAKITAN

Membuang Debu

PERHATIAN:

- Kosongkan pembersih sebelum menjadi terlalu penuh, atau daya sedot akan melemah.
 - Pastikan untuk mengosongkan debu di dalam pembersih itu sendiri. Jika tidak, filter spons dapat tersumbat atau motornya rusak.
 - Jangan sekali-kali membuang penghenti debu karena komponen ini harus digunakan setiap kali kantong debu atau pak kertas digunakan.
1. Tekan tombol untuk membuka penutup depan. Membuka penutup ini sampai terdengar bunyi klik akan memungkinkan penghentian positif pada posisi itu. (Gb. 4)

PERHATIAN:

- Bila menutup penutup depan, berhati-hatilah agar jari Anda tidak terjepit.

CATATAN:

- Penutup depan akan terlepas bila coba dibuka lebih dari 90°. Jika penutup depan terlepas, pasanglah ke dalam engsel penutup depan di tempatnya. (Gb. 5)
- 2. Tarik keluar penghenti debu berwarna jingga dan sekaligus kantong debu secara bersamaan. (Gb. 6)

3. Lepaskan penghenti debu dan kosongkan pembersih. (Gb. 7 & 8)

Kantong debu dan kantong/pak kertas

Pasanglah kantong debu atau pak kertas sebelum menggunakan pembersih.

Gunakan penghenti debu saat memasang kantong debu atau pak kertas.

Kantong debu dapat digunakan berkali-kali dengan membersihkannya.

Pak kertas merupakan jenis sekali pakai. Buanglah keseluruhan pak kertas tanpa mengosongkannya bila sudah penuh.

Memasang kantong debu (Gb. 9)

Gunakan penghenti debu saat memasang kantong debu. Berhati-hatilah untuk tidak mempertukarkan sisi atas dan sisi bawah secara tak sengaja karena kedua sisi itu berbeda.

1. Masukkan tonjolan kantong debu ke dalam alur di dalam penghenti debu seperti diperlihatkan dalam gambar. (Gb. 10)
2. Tidak ada perbedaan antara sisi atas dan bawah kantong debu. Anda dapat memasukkan tonjolan sisi mana pun ke dalam alur bawah penghenti debu. (Gb. 11)
3. Tumpang-tindihkan bingkai penghenti debu dengan bingkai kantong debu. (Gb. 12)
4. Tempatkan penghenti debu dan kantong debu bersama ke dalam rongga pembersih pada arah yang sama seperti tanda panah pada penghenti debu. Masukkan sepenuhnya ke dalam slot dalam rongga pembersih. (Gb. 13)
5. Tempatkan seluruh bagian kain dari kantong debu di dalam alat itu sendiri. (Gb. 14)
6. Tutup penutup depan sepenuhnya. (Gb. 15)

Memasang kantong pak kertas

1. Buka lipatan lubang masuk pak kertas sebelum memasangnya pada penghenti debu. (Gb. 16)
- Gunakanlah juga penghenti debu saat memasang pak kertas. Berhati-hatilah untuk tidak mempertukarkan sisi atas dan sisi bawah secara tak sengaja karena kedua sisi itu berbeda. (Gb. 9)
2. Masukkan tonjolan pak kertas ke dalam alur di dalam penghenti debu seperti diperlihatkan dalam gambar. (Gb. 17)
 3. Tidak ada perbedaan antara sisi atas dan bawah pak kertas. Anda dapat memasukkan tonjolan sisi mana pun ke dalam alur bawah penghenti debu. (Gb. 11)
 4. Tumpang-tindihkan bingkai penghenti debu dengan bingkai pak kertas. (Gb. 18)
 5. Tempatkan penghenti debu dan pak kertas bersama ke dalam rongga pembersih pada arah yang sama seperti tanda panah pada penghenti debu. Masukkan sepenuhnya ke dalam slot di dalam rongga pembersih. (Gb. 19)
 6. Tempatkan seluruh bagian wadah dari pak kertas di dalam alat itu sendiri. (Gb. 14)
 7. Tutup penutup depan sepenuhnya.

PERHATIAN:

- Pasang penghenti debu dengan kantong debu atau pak kertas dengan benar. Pengoperasian alat tanpa

dipasang komponen ini secara benar, atau menggunakan yang sudah rusak atau sobek akan membuat debu bisa masuk ke dalam motor. Ini dapat mengakibatkan kegagalan motor.

- Jangan melipat kardus pada lubang bukaannya saat memasang pak kertas.
- Jangan sekali-kali membuang penghenti debu karena komponen ini perlu digunakan berulang-kali kapan pun kantong debu atau pak kertas digunakan.
- Pak kertas untuk pembersih ini merupakan komponen penting untuk mempertahankan kinerja alat. Jika Anda menggunakan pak kertas selain yang asli, asap atau nyala api dapat timbul.

PENGOPERASIAN (Gb. 20)

Untuk menghubungkan alat tambahan, seperti nozel, puntir dan masukkan alat tambahan itu guna memastikan bahwa sambungannya senantiasa kencang selama alat digunakan. Untuk melepaskan alat tambahan, puntir dan lepaskan alat tambahan.

Pembersihan (Penyedotan)

Nozel (Gb. 21)

Pasang nozel untuk membersihkan meja, bangku, perabotan, dll. Nozel terpasang dengan mudah.

Nozel + Pipa perpanjangan (Pipa lurus) (Gb. 22)

Pipa perpanjangan terpasang di antara nozel dan pembersih itu sendiri. Pengaturan ini sangat memudahkan pembersihan lantai sambil berdiri tegak.

Nozel sudut (Gb. 23)

Pasang nozel sudut untuk membersihkan sudut-sudut dan cerukan pada mobil atau perabotan.

Nozel sudut + Pipa perpanjangan (Pipa lurus) (Gb. 24)

Pada sudut-sudut sempit di mana alat pembersih itu sendiri tidak dapat masuk, atau di tempat tinggi yang sulit dijangkau, gunakan pengaturan ini.

PERAWATAN

⚠ PERHATIAN:

- Selalu pastikan alat sudah dimatikan sebelum mencoba melakukan pemeriksaan atau perawatan.

Setelah menggunakan

Ketika menyimpan atau mengisi baterai pembersih, kunci head nozel, dan gantungkanlah pada kait yang dijual bebas di pasaran. (Gb. 25)

⚠ PERHATIAN:

- Meletakkan pembersih bersandar pada dinding tanpa kait dapat menyebabkan pembersih roboh dan rusak. (Gb. 26)

Pembersihan (Gb. 27)

Dari waktu ke waktu, lap bagian luar (bodi) alat pembersih menggunakan kain yang dilembapkan dengan air sabun. Bersihkanlah juga lubang penyedotan, area pemasangan kantong debu/pak kertas, dan penghenti debu.

⚠ PERHATIAN:

- Jangan sekali-kali menggunakan bensin, tiner, alkohol, atau bahan sejenisnya. Penggunaan bahan demikian

dapat menyebabkan perubahan warna dan bentuk serta timbulnya retakan.

Cuci kantong debu dalam air sabun bila kantong sudah tersumbat oleh debu dan tenaga alat pembersih menjadi lemah. Keringkan sepenuhnya sebelum digunakan. Kantong yang dikeringkan dengan kurang memadai dapat mengakibatkan penyedotan kurang baik dan memperpendek usia pakai motor. (Gb. 28)

CATATAN:

- Pak kertas merupakan jenis sekali pakai. Bila filter spons tersumbat oleh debu, lepaskanlah dari pembersih dan lap bersih atau cuci dalam air.

Melepas dan memasang filter spons

Untuk melepas filter spons, lepaskan kantong debu atau pak kertas lalu jepit dan keluarkan. (Gb. 29)

Tekan masuk seluruh tepi filter spons menempel pada dinding berkeruk di dalam area pemasangan kantong debu/pak kertas. (Gb. 30)

⚠ PERHATIAN:

- Setelah membersihkan filter spons, pastikan untuk memasangnya pada pembersih. Jika dicuci dalam air, keringkan sebelum memasangnya. Filter spons yang dikeringkan dengan kurang memadai dapat memperpendek usia pakai motor.

Membersihkan nosel

Ketika sikat nosel berdebu, bersihkan debu dengan selotip. (Gb. 31)

Gantungan dinding untuk pembersih tanpa kabel

Pilihan Aksesori

CATATAN:

- Sekrup untuk memasang penahan tidak disertakan. Siapkan sekrup yang cocok dengan bahan dinding. Sambung gantungan dinding untuk pembersih tanpa kabel ke dinding, tiang, atau pilar kayu keras, di mana gantungan dinding untuk pembersih tanpa kabel dapat dipasang dengan kuat. Selalu pastikan bahwa gantungan dinding untuk pembersih tanpa kabel terpasang dengan kuat sebelum menggantung pembersih. (Gb. 32)

⚠ PERHATIAN:

- Jangan gantung pembersih pada gantungan dinding dengan paksa atau menggantung peralatan lain selain pembersih.

CATATAN:

- Ketika Anda tidak mengisi daya pembersih, steker dapat disimpan pada gantungan dinding untuk pembersih tanpa kabel seperti gambar.

PEMECAHAN MASALAH

Sebelum meminta perbaikan, lakukan pemeriksaan sendiri lebih dahulu. Jika Anda menemukan masalah yang tidak dijelaskan di dalam buku petunjuk, jangan mencoba untuk membongkar alat. Sebaliknya, mintalah bantuan Pusat Servis Resmi Makita, dengan selalu menggunakan suku cadang Makita untuk memperbaikinya.

Gejala	Bagian yang perlu diperiksa	Cara memperbaiki
Tenaga sedotan lemah	Apakah kantong debu atau pak kertas penuh dengan debu?	Kosongkan kantong debu atau pak kertas.
	Apakah kantong debu tersumbat?	Bersihkan debunya atau cuci kantong debu.
	Apakah pak kertas tersumbat?	Ganti pak kertas.
	Apakah daya kartrid baterai habis?	Isilah baterai.
Tidak bekerja	Apakah daya kartrid baterai habis?	Isilah baterai.

014744

CATATAN:

- Jangan mencoba memperbaiki sendiri alat pembersih ini.

Membuang pembersih

Sebuah baterai Li-ion tertanam dalam pembersih ini. Selalu lepaskan baterai ini sebelum membuang pembersih.

Melepas baterai tertanam

⚠ PERHATIAN:

- Jangan menyentuh terminal-terminalnya dengan bahan konduktif.
 - Hindari menyimpan unit baterai dalam wadah bersama dengan benda logam lain seperti paku, koin, dll.
 - Jangan biarkan unit baterai terkena air atau hujan.
 - Jangan membongkar atau mengubah unit baterai.
 - Pembersih harus dicabut dari pasokan listrik saat melepaskan baterainya.
- Untuk melepas penutup belakang, tekan penutup sesuai arah tanda panah. (Gb. 33)
 - Geser baterai tertanam setengah jalan. Lepaskan kabel daya dari baterai dengan sedikit memundurkan baterai sambil menekan konektor sesuai arah tanda panah seperti dalam gambar. (Gb. 34)
 - Kemudian geser unit baterai sepenuhnya. (Gb. 35)
 - Masukkan unit baterai yang sudah dilepas ke dalam kotak kardus sehingga tidak akan terhubung singkat.

Memasang baterai pengganti

Untuk memasang baterai pengganti, ikuti prosedur pelepasan secara terbalik.

⚠ PERHATIAN: Atur kabel sehingga sepenuhnya tersimpan di dalam pembersih sebelum memasang kembali tutup belakang di posisi aslinya. Tidak melakukan hal ini dapat menyebabkan kabel rusak. (Gb. 36)

Setelah memasang baterai (lihat "SPESIFIKASI"), isilah kartrid baterai sebelum digunakan. Untuk menjaga KEAMANAN dan KEHANDALAN, perbaikan, perawatan atau penyetulan lain harus dilakukan oleh Pusat Servis Resmi Makita dan gunakan selalu suku cadang Makita.

AKSESORI TAMBAHAN

⚠ PERHATIAN:

- Aksesori atau alat tambahan ini dianjurkan untuk digunakan dengan pembersih Makita milik Anda yang disebutkan dalam buku petunjuk ini. Penggunaan

aksesori atau alat tambahan lain dapat menimbulkan risiko cedera pada orang. Gunakan aksesori atau alat tambahan sesuai kegunaannya.

Jika Anda membutuhkan bantuan perihal informasi lebih terperinci mengenai aksesori-aksesori ini, tanyakan kepada Pusat Servis Makita setempat.

- Pipa sambungan (Pipa lurus)
- Nosel
- Nosel untuk karpet
- Sikat rak
- Nosel sudut
- Sikat bulat
- Slang fleksibel
- Pak kertas
- Gantungan dinding unit pembersih tanpa kabel
- Perangkat tambahan siklon
- Baterai pengganti

CATATAN:

- Beberapa artikel dalam daftar dapat disertakan dalam kemasan mesin sebagai aksesori standar. Kelengkapan ini dapat berbeda dari satu negara ke negara lainnya.

Perangkat tambahan siklon (Gb. 37)

Tentang perangkat tambahan siklon

Menggunakan pembersih dengan perangkat tambahan siklon yang terpasang dapat mengurangi jumlah debu yang masuk ke kantong debu, sehingga membantu mencegah melemahnya daya pengisapan. Selain itu, langkah pembersihan setelah penggunaan juga sederhana.

⚠ PERHATIAN:

- Selalu pastikan bahwa mesin dimatikan dan kartrid baterai dilepas sebelum melakukan pekerjaan apa pun pada mesin. Jika kartrid baterai dibiarkan terpasang, pembersih dapat menyala secara tak terduga dan mengakibatkan cedera.
- Bersihkan saringan jala dari perangkat tambahan siklon dan kantong debu dari unit pembersih apabila tersumbat. Penggunaan yang terus menerus dalam kondisi tersumbat dapat menyebabkan panas berlebih atau asap.

PEMBERITAHUAN:

- Ketika perangkat tambahan siklon terpasang, jangan gunakan pembersih dalam posisi horizontal atau menghadap ke atas. Tindakan tersebut dapat menyebabkan tersumbatnya saringan jala.
- Selalu gunakan pembersih dengan kantong debu yang terpasang, meskipun ketika menggunakan

perangkat tambahan siklon. Menggunakan pembersih tanpa memasang kantong debu dapat mengakibatkan kegagalan fungsi motor.

CATATAN:

- Pastikan perangkat tambahan siklon, pembersih, dan pipa lurus telah terkunci dengan benar sebelum digunakan.
- Kosongkan wadah debu pada perangkat tambahan siklon dan kantong debu pada pembersih apabila tersumbat. Penggunaan yang terus menerus dapat mengakibatkan melemahnya daya pengisapan.

Membuang debu

Ketika debu yang terkumpul melebihi garis batas pada wadah debu, ikuti prosedur di bawah ini dan buang debu.

1. Tahan wadah debu kuat-kuat, tekan dan tahan dua tombol, lalu lepaskan wadah debu. **(Gb. 38)**
2. Buang debu di dalam wadah debu dan hilangkan debu atau serbuk yang menempel pada permukaan saringan jala.
3. Masukkan wadah debu sepenuhnya hingga dua tombol terkunci dan berbunyi klik. **(Gb. 39)**

 **CATATAN:**

- Pastikan perangkat tambahan siklon, pembersih, dan pipa lurus telah tersambung dengan kuat sebelum memulai ulang pengoperasian.
- Jika daya pengisapan tidak kembali normal meskipun Anda sudah membuang debu dan membersihkan saringan jala, periksa apakah ada debu yang terkumpul dalam kantong debu pembersih atau terjadi penyumbatan.

Pembersihan

Ketika wadah debu kotor atau saringan jala tersumbat, lepaskan dan cuci dengan air. (Baca "Membuang debu" untuk mengetahui prosedur pelepasan.)

Keringkan komponen seluruhnya sebelum memasang dan menggunakannya kembali. **(Gb. 40)**

Ketika saringan jala sangat kotor, bersihkan dengan mengikuti prosedur berikut.

1. Putar saringan jala berlawanan arah jarum jam, lalu lepaskan saat kaitnya terbuka pengunciannya. **(Gb. 41)**
2. Hilangkan debu pada saringan jala, lalu cuci dengan air. Setelah itu, keringkan seluruhnya.
3. Masukkan saringan jala ke dalam dudukan saat kaitnya sejajar dengan port. Putar saringan jala searah jarum jam hingga kaitnya terkunci dan berbunyi klik. Pastikan mata saringan jala mesin terpasang dengan kencang. **(Gb. 42)**

TIẾNG VIỆT (Hướng dẫn Gốc)

CAÙNH BAÙO

- Trẻ em trong độ tuổi từ 8 tuổi trở lên và người suy giảm thể chất, giác quan hoặc khả năng trí óc hoặc thiếu kinh nghiệm và kiến thức có thể sử dụng thiết bị này nếu họ được giám sát hoặc hướng dẫn sử dụng thiết bị an toàn và hiểu được những tác hại nguy hiểm khi sử dụng.
- Trẻ em không được nghịch thiết bị. Không nên để trẻ em thực hiện vệ sinh và bảo dưỡng mà không có sự giám sát.
- Xem chương “THÔNG SỐ KỸ THUẬT” để biết loại tham chiếu dành cho pin.
- Xem các phần “Tháo rời pin lắp sẵn” và “Lắp đặt pin thay thế” để biết cách thay pin.
- Pin nén lithium-ion là đối tượng phải tuân thủ các yêu cầu của Luật Hàng hoá Nguy hiểm. Khi rút bỏ pin, hãy tháo chúng khỏi dụng cụ và thải bỏ ở nơi an toàn. Phải tuân thủ theo các quy định của địa phương liên quan đến việc thải bỏ pin.
- Trong điều kiện sử dụng quá mức, pin có thể bị chảy nước; hãy tránh tiếp xúc. Nếu vô tình tiếp xúc với pin bị chảy nước, hãy rửa sạch bằng nước.
- Nếu chất điện phân rơi vào mắt, hãy rửa sạch bằng nước sạch và đến cơ sở y tế ngay lập tức. Chất này có thể khiến bạn giảm thị lực.
- Xem chương “THÔNG SỐ KỸ THUẬT” để biết loại tham chiếu dành cho bộ sạc. Chỉ sử dụng bộ sạc được cung cấp kèm theo công cụ với mục đích sạc lại pin.
- Xem phần “Ký hiệu” để biết ý nghĩa của các ký hiệu được sử dụng cho dụng cụ.
- Xem chương “BẢO DƯỠNG” để biết các chi tiết thích hợp về các biện pháp phòng ngừa trong quá trình bảo dưỡng của người dùng.

Giải thích về hình vẽ tổng thể

- | | | |
|---------------------------------|--------------------------------------------------------------------|---------------------------------|
| 1. Đầu nối sạc | 14. Khoang hút bụi | 25. Vỏ sau |
| 2. Đèn báo năng lượng pin | 15. Túi chứa bằng giấy | 26. Đầu nối |
| 3. Nút ON (BẬT)/thay đổi tốc độ | 16. Vòi hút | 27. Dây dẫn |
| 4. Nút OFF (TẮT) | 17. Ống nối kéo dài | 28. Bộ pin |
| 5. Nắp trước | 18. Vòi hút góc | 29. Ống thẳng |
| 6. Nút | 19. Lọc nút | 30. Phụ kiện ly tâm máy hút bụi |
| 7. Khớp nối nắp trước | 20. Miếng xốp | 31. Ngõ vào đầu hút |
| 8. Nắp chắn bụi | 21. Tấm chắn gắn chìm | 32. Vạch đẩy |
| 9. Mặt trên của nắp chắn bụi | 22. Bàn chải | 33. Hộp chứa bụi |
| 10. Mặt dưới của nắp chắn bụi | 23. Giá treo tương dành cho máy hút bụi cầm tay hoạt động bằng pin | 34. Nút (hai vị trí) |
| 11. Đường rãnh | 24. Chốt | 35. Bộ lọc dạng lưới |
| 12. Túi chứa bụi | | 36. Móc |
| 13. Rãnh bên dưới | | 37. Cổng |

THÔNG SỐ KỸ THUẬT

Kiểu máy		CL104D
Công suất		500 ml (cho túi chứa bụi)
		330 ml (cho túi chứa bằng giấy)
Sử dụng liên tục	3 (Tuabin)	Khoảng 10 min
	2 (Cao)	Khoảng 15 min
	1 (Thấp)	Khoảng 30 min
Tổng chiều dài	Không có vòi hút	446 mm
	Có vòi hút	983 mm
Trọng lượng tịnh		1,1 kg
Điện áp định mức		Dòng một chiều: 10,8 V
Hộp pin thay thế (số bộ phận khác nhau tùy theo quốc gia)		632C23*4, 632C25*0, 632C26*8
Bộ sạc pin		DC1001

- Do chương trình nghiên cứu và phát triển liên tục của chúng tôi nên các thông số kỹ thuật trong đây có thể thay đổi mà không cần thông báo trước.
- Các thông số kỹ thuật và hộp pin có thể thay đổi tùy theo từng quốc gia.
- Trọng lượng không bao gồm phụ kiện.
- Chỉ sử dụng bộ sạc được cung cấp kèm theo công cụ với mục đích sạc lại pin.

Ký hiệu

END331-1

Phân dưới đây cho biết các ký hiệu có thể được dùng cho thiết bị. Đảm bảo rằng bạn hiểu rõ ý nghĩa của các ký hiệu này trước khi sử dụng.



..... Đọc tài liệu hướng dẫn.



..... Bộ cấp điện có thể tháo rời

Mục đích sử dụng

ENE017-1

Dùng cụ được dùng để hút bụi khô.

Cảnh báo an toàn cho máy hút bụi chạy pin

ENA007-2

⚠ CẢNH BÁO: LƯU Ý ĐỌC KỸ tất cả các cảnh báo an toàn và các hướng dẫn TRƯỚC KHI SỬ DỤNG.

Việc không tuân theo các cảnh báo và hướng dẫn có thể dẫn đến điện giật, hỏa hoạn và/hoặc thương tích nghiêm trọng

1. Không để thiết bị ngoài trời mưa. cất giữ dụng cụ ở trong nhà.
2. Không cho phép sử dụng máy hút bụi làm đồ chơi. Cần thật chú ý khi trẻ em dùng máy hút bụi hoặc máy hút bụi để gắn trẻ em.
3. Chỉ sử dụng như được miêu tả trong tài liệu này. Chỉ sử dụng các phụ kiện được nhà sản xuất khuyến dùng.
4. Không sử dụng pin hỏng. Nếu thiết bị hoạt động không như mong đợi, bị rơi, bị hỏng, để ngoài trời hoặc bị rơi vào nước, hãy trả lại thiết bị cho trung tâm bảo dưỡng.
5. Không cầm thiết bị bằng tay ướt.
6. Không đặt bất kỳ vật gì vào các lỗ mở. Không sử dụng khi bất kỳ lỗ mở nào bị bịt, hãy giữ lỗ mở sạch bụi, xơ vải, tóc cũng như bất kỳ thứ gì có thể hạn chế dòng khí.
7. Giữ tóc, quần áo rộng, ngón tay và tất cả các bộ phận của cơ thể tránh xa các lỗ mở và bộ phận chuyển động.
8. Tắt tất cả các thiết bị điều khiển trước khi tháo pin.
9. Cần cẩn trọng hơn khi hút bụi cầu thang.
10. Không sử dụng thiết bị để hút các chất lỏng dễ cháy như xăng hoặc sử dụng thiết bị trong các khu vực có thể có chất lỏng.
11. Chỉ sử dụng bộ sạc được nhà sản xuất cung cấp để sạc lại.
12. Không hút các vật liệu đang cháy hoặc bốc khói như thuốc lá, diêm hoặc tro nóng.
13. Không sử dụng khi không có túi chứa bụi và/hoặc các bộ lọc đúng vị trí.
14. Không sạc pin ngoài trời.
15. Chỉ sạc lại bằng bộ sạc được nhà sản xuất chỉ định. Bộ sạc thích hợp cho một loại bộ pin có thể gây rủi ro cháy khi được sử dụng với bộ pin khác.
16. Chỉ sử dụng dụng cụ máy với các bộ pin được chỉ định cụ thể. Sử dụng bất kỳ bộ pin nào khác cũng có nguy cơ gây ra chấn thương hoặc cháy.
17. Khi không sử dụng bộ pin, hãy cất giữ bộ pin cách xa các vật kim loại khác, như ghim kẹp giấy, tiền xu, chìa khoá, đinh, đai ốc hoặc các

vật kim loại nhỏ khác, là những vật có thể trở thành vật kết nối một cực với cực kia.

18. Trong các trường hợp sử dụng sai mục đích, pin có thể tiết ra chất lỏng; hãy tránh tiếp xúc. Nếu bạn vô tình tiếp xúc với chất lỏng này, hãy rửa sạch bằng nước.
19. Không sử dụng bộ pin hoặc dụng cụ bị hỏng hoặc đã được sửa đổi. Pin hỏng hoặc đã được sửa đổi có thể gặp phải hành vi bất ngờ gây ra cháy, nổ hoặc nguy cơ thương tích.
20. Không để bộ pin hoặc dụng cụ tiếp xúc với lửa hoặc nhiệt độ cao. Việc tiếp xúc với lửa hoặc nhiệt độ cao hơn 130 °C có thể gây ra nổ.
21. Làm theo tất cả hướng dẫn sạc và không sạc bộ pin hoặc dụng cụ ngoài phạm vi nhiệt độ được chỉ định trong hướng dẫn. Việc sạc không đúng cách hoặc ở nhiệt độ ngoài phạm vi được chỉ định có thể làm hỏng pin và làm tăng nguy cơ cháy.

LƯU GIỮ CÁC HƯỚNG DẪN NÀY.

QUY TẮC AN TOÀN BỔ SUNG

ENB106-3

1. Đọc kỹ tài liệu hướng dẫn này và tài liệu hướng dẫn dành cho bộ sạc trước khi sử dụng.
2. Không hút những vật liệu sau:
 - Vật liệu nóng như thuốc lá đang cháy hoặc tia lửa/bụi kim loại do mài/cắt kim loại tạo ra
 - Vật liệu dễ cháy như xăng dầu, dung môi, ét xăng, dầu lửa hoặc sơn
 - Vật liệu dễ nổ như nitro glycerin
 - Vật liệu dễ cháy như nhôm, kẽm, magiê, titan, photpho hoặc xenluloit
 - Đất ướt, nước, dầu hoặc những chất tương tự
 - Vật cứng có cạnh sắc như vỏ bào, kim loại, đá, thủy tinh, đinh, chốt hoặc dao cạo
 - Bột đóng cục như xi măng hoặc bột màu
 - Mạt dẫn điện như kim loại hoặc cacbon
 - Hạt nhỏ như bụi bê tôngNhững tác động này có thể gây cháy, thương tích và/hoặc hư hại tài sản.
3. Dùng vận hành ngay lập tức nếu bạn thấy điều gì không bình thường.
4. Nếu bạn làm rơi hoặc làm méo máy hút bụi, hãy kiểm tra cẩn thận xem máy có bị nứt vỡ hay hư hại nào không trước khi vận hành.
5. Không sạc máy hút bụi ở nơi gần các vật liệu dễ cháy nguy hiểm như xăng dầu, khí đốt, sơn hoặc chất dính.
6. Không sạc máy hút bụi trên giấy, vải, thảm, nhựa vinyl, v.v. Làm như vậy có thể gây cháy.
7. Không sạc máy hút bụi ở nơi nhiều bụi.
8. Đảm bảo rằng không có ai ở bên dưới khi sử dụng máy hút bụi ở trên cao.
9. Không mang máy lại gần lò sưởi hoặc các nguồn nhiệt khác.
10. Không bịt lỗ hút bụi hoặc các lỗ thông bụi.

LƯU GIỮ CÁC HƯỚNG DẪN NÀY.

CÁC HƯỚNG DẪN AN TOÀN QUAN TRỌNG

ENC010-3

DÀNH CHO PIN LẮP SẴN

1. Trước khi sử dụng pin gắn liền, hãy đọc kỹ tất cả các hướng dẫn và dấu hiệu cảnh báo trên (1) cực sạc pin, (2) pin và (3) sản phẩm sử dụng pin.
2. Không tháo rời pin lắp sẵn.
3. Nếu thời gian vận hành ngắn hơn quá mức, hãy ngừng vận hành ngay lập tức. Điều này có thể dẫn đến rủi ro quá nhiệt, có thể gây bỏng và thậm chí là nổ.
4. Nếu chất điện phân rơi vào mắt, hãy rửa sạch bằng nước sạch và đến cơ sở y tế ngay lập tức. Chất này có thể khiến bạn giảm thị lực.
5. Không để pin gắn liền ở tình trạng đoản mạch:
 - (1) Không được chạm vào các đầu cực bằng vật liệu dẫn điện.
 - (2) Tránh cất giữ pin gắn liền trong hộp có các vật kim loại khác như đinh, tiền xu, v.v...
 - (3) Không để pin lắp sẵn tiếp xúc với nước hoặc mưa.
Pin bị đoản mạch có thể gây ra dòng điện lớn, gây quá nhiệt, cháy và thậm chí gây phóng điện.
6. Không cất giữ và dùng dụng cụ và pin gắn liền ở nơi nhiệt độ có thể lên tới hoặc vượt quá 50°C (122 °F).
7. Không đốt pin gắn liền ngay cả khi pin gắn liền đã bị hư hại nặng hoặc hư hỏng hoàn toàn. Pin gắn liền có thể nổ khi tiếp xúc với lửa.
8. Hãy cẩn trọng không làm rơi hoặc làm méo pin.
9. Không sử dụng pin gắn liền đã hỏng.
10. Pin nén lithium-ion là đối tượng phải tuân thủ các yêu cầu của Luật Hàng hoá Nguy hiểm. Khi vứt bỏ pin, hãy tháo chúng khỏi dụng cụ và thải bỏ ở nơi an toàn. Phải tuân thủ theo các quy định của địa phương liên quan đến việc thải bỏ pin.
11. Chỉ sử dụng pin cho các sản phẩm Makita chỉ định.

LƯU GIỮ CÁC HƯỚNG DẪN NÀY.

Mẹo duy trì tuổi thọ tối đa cho pin hoàn toàn.

1. Luôn dừng việc vận hành dụng cụ và sạc pin khi bạn nhận thấy công suất dụng cụ bị giảm.
2. Không bao giờ sạc lại pin lắp sẵn đã được sạc đầy.
Việc sạc điện thêm nữa sẽ làm giảm tuổi thọ pin.
3. Sạc pin gắn liền ở nhiệt độ phòng 10°C - 40°C (50°F - 104°F). Để cho pin gắn liền đang nóng nguội lại dần trước khi sạc pin.
4. Sạc pin gắn liền sáu tháng một lần nếu bạn không sử dụng nó trong một thời gian dài.

MÔ TẢ CHỨC NĂNG

⚠ THẬN TRỌNG:

- Luôn đảm bảo đã tắt dụng cụ trước khi điều chỉnh hoặc kiểm tra chức năng trên dụng cụ.

Khi sạc pin có sẵn

⚠ THẬN TRỌNG:

- Không vận hành máy hút bụi khi đang sạc. Máy hút bụi có thể bị hỏng.
- Luôn rút phích cắm sạc ra khỏi máy hút bụi sau khi sạc.
- Khi bạn sạc pin máy hút bụi mới hoặc máy hút bụi lâu không sạc pin, máy có thể không thể sạc đầy pin. Đây là điều bình thường và không có nghĩa là có vấn đề. Bạn có thể sạc đầy lại cho máy hút bụi sau khi máy hết sạch pin vài lần.

Chỉ sử dụng bộ sạc DC1001 của Makita để sạc máy hút bụi này. Việc sử dụng các bộ sạc loại khác có thể làm nổ pin và dẫn tới tương tích và thiệt hại cá nhân. Sạc máy hút bụi khi sử dụng lần đầu hoặc lâu không sạc. Kết nối phích cắm sạc với đầu nối sạc rồi cắm phích điện bộ sạc vào ổ cắm. Đèn báo năng lượng pin sáng và bắt đầu sạc. Việc sạc mất khoảng 3 tiếng. Đèn báo tắt sau khi sạc xong. Để biết thêm chi tiết, hãy tham khảo tài liệu hướng dẫn về bộ sạc pin.

(Hình 1 & 2)

Thao tác với công tắc

⚠ THẬN TRỌNG:

- Luôn đảm bảo túi chứa bụi hay túi chứa bằng giấy được lắp đúng cách trong máy hút bụi trước khi sử dụng. Lắp sai cách có thể làm cho bụi xâm nhập vào động cơ, gây trục trặc máy hút bụi.
- Luôn tắt máy hút bụi sau mỗi lần sử dụng để tránh hỏng máy hút bụi và tăng tuổi thọ vận hành của pin. Để khởi động máy hút bụi, chỉ cần nhấn nút ON (BẬT)/thay đổi tốc độ. Để tắt, nhấn nút OFF (TẮT). Bạn có thể thay đổi tốc độ máy hút bụi trong ba bước bằng cách nhấn nút ON (BẬT)/thay đổi tốc độ. Nhấn nút này lần đầu sẽ là chế độ tốc độ cao, nhấn lần thứ hai sẽ là chế độ tốc độ tối đa và lần thứ ba là chế độ tốc độ bình thường. Mỗi lần nhấn nút này máy sẽ lặp lại chu kỳ tốc độ cao/tối đa/bình thường.

(Hình 3)

Đèn báo năng lượng pin (Hình 2)

Khi lượng pin còn lại thấp, đèn báo năng lượng pin nhấp nháy.

Khi lượng pin còn lại thấp hơn nữa, dụng cụ sẽ ngừng và đèn báo năng lượng pin sẽ sáng lên khoảng 10 giây. Lúc này, hãy sạc máy hút bụi.

CHÚ Ý:

- Thời gian mà đèn báo năng lượng pin bắt đầu nhấp nháy hoặc sáng lên phụ thuộc vào nhiệt độ tại nơi làm việc và tình trạng hộp pin.

QUÁ TRÌNH LẮP RÁP

Thả bỏ bụi

⚠ THẬN TRỌNG:

- Đổ hết bụi trong máy hút bụi trước khi quá đầy, nếu không lực hút sẽ yếu đi.
 - Đảm bảo đổ hết bụi bên trong máy hút bụi. Không đổ hết bụi có thể khiến lọc nút bị tắc hoặc động cơ bị hỏng.
 - Không được vút bỏ nắp chắn bụi vì cần phải sử dụng nắp này bất kỳ khi nào sử dụng túi chứa bụi hoặc túi chứa bằng giấy.
1. Bấm nút để mở nắp trước. Mở nắp cho đến khi nghe thấy tiếng tách cho phép cũ chặn cố định tại vị trí đó. **(Hình 4)**

⚠ THẬN TRỌNG:

- Khi đóng nắp trước, cần thận để không bị kẹt các ngón tay.

CHÚ Ý:

1. Nắp trước sẽ rời ra khi bạn cố mở nắp trước với góc hơn 90°. Nếu nắp trước rời ra, hãy lắp nắp vào đúng khớp nối nắp trước. **(Hình 5)**
2. Kéo cả nắp chắn bụi màu cam và túi chứa bụi cùng lúc. **(Hình 6)**
3. Tháo nắp chắn bụi và đổ hết bụi trong máy hút bụi. **(Hình 7 & 8)**

Túi chứa bụi và túi chứa bằng giấy

Lắp túi chứa bụi hoặc túi chứa bằng giấy trước khi sử dụng máy hút bụi.

Sử dụng nắp chắn bụi khi lắp đặt túi chứa bụi hoặc túi chứa bằng giấy.

Có thể sử dụng túi chứa bụi nhiều lần bằng cách vệ sinh túi chứa bụi.

Túi chứa bằng giấy là loại dùng một lần. Vút hết túi chứa bằng giấy mà không cần làm sạch khi hộp đầy.

Lắp túi chứa bụi (Hình 9)

Sử dụng nắp chắn bụi khi lắp túi chứa bụi. Cần thận để không nhầm lẫn mặt trước với mặt sau vì chúng khác nhau.

1. Lắp phần lõm ra của túi chứa bụi vào rãnh trong nắp chắn bụi như minh họa trong hình. **(Hình 10)**
2. Không có khác biệt giữa phần trên và phần dưới của túi chứa bụi. Bạn có thể lắp phần nhô ra của bất kỳ phần nào vào rãnh bên dưới của nắp chắn bụi. **(Hình 11)**
3. Lồng khung của nắp chắn bụi đè lên khung của túi chứa bụi. **(Hình 12)**
4. Đặt cả nắp chắn bụi và túi chứa bụi vào khoang hút bụi theo chiều mũi tên trên nắp chắn bụi. Lắp hoàn toàn cả nắp chắn bụi và túi chứa bụi vào các khe trong khoang hút bụi. **(Hình 13)**
5. Đặt toàn bộ phần vải của túi chứa bụi vào trong dụng cụ. **(Hình 14)**
6. Đóng kín nắp trước. **(Hình 15)**

Lắp túi chứa bằng giấy

1. Mở cửa của túi chứa bằng giấy trước khi đặt trên nắp chắn bụi. **(Hình 16)**

Cũng sử dụng nắp chắn bụi khi lắp đặt túi chứa bằng giấy. Cần thận để không nhầm lẫn mặt trước với mặt sau vì chúng khác nhau. **(Hình 9)**

2. Lắp phần lõm ra của túi chứa bằng giấy vào rãnh trong nắp chắn bụi như minh họa trong hình. **(Hình 17)**
3. Không có khác biệt giữa phần trên và phần dưới của túi chứa bằng giấy. Bạn có thể lắp phần nhô ra của bất kỳ phần nào vào rãnh bên dưới của nắp chắn bụi. **(Hình 11)**
4. Lồng khung của nắp chắn bụi đè lên khung của túi chứa bằng giấy. **(Hình 18)**
5. Đặt cả nắp chắn bụi và túi chứa bằng giấy vào khoang hút bụi theo chiều mũi tên trên nắp chắn bụi. Lắp hoàn toàn cả nắp chắn bụi và túi chứa bụi vào các khe trong khoang hút bụi. **(Hình 19)**
6. Đặt toàn bộ phần chứa của túi chứa bằng giấy vào trong dụng cụ. **(Hình 14)**
7. Đóng kín nắp trước.

⚠ THẬN TRỌNG:

- Lắp nắp chắn bụi với túi chứa bụi hoặc túi chứa bằng giấy đúng cách. Vận hành dụng cụ khi không lắp đúng cách hoặc sử dụng bộ phận bị vỡ hoặc nứt có thể làm cho bụi xâm nhập vào động cơ. Điều này có thể làm cho động cơ bị hỏng.
- Không gấp bìa cứng ở phần đầu bìa khi lắp túi chứa bằng giấy.
- Không được vút bỏ nắp chắn bụi vì cần phải sử dụng nắp này nhiều lần bất kỳ khi nào sử dụng túi chứa bụi hoặc túi chứa bằng giấy.
- Túi chứa bằng giấy của máy hút bụi là một bộ phận quan trọng để duy trì hiệu suất của máy. Sử dụng túi chứa bằng giấy chính hãng khác có thể gây khó hoặc bốc cháy.

VẬN HÀNH (Hình 20)

Để lắp các phụ kiện, như vòi hút, hãy vận và chèn vào để đảm bảo chắc chắn khi sử dụng. Để tháo các phụ kiện, hãy vận và tháo.

Vệ sinh (Hút)

Vòi hút (Hình 21)

Gắn vòi hút để vệ sinh bằng, bàn, đồ nội thất v.v...Vòi hút dễ dàng gắn vào.

Vòi hút + Ống nối kéo dài (Ống trụ) (Hình 22)

Ống nối kéo dài vừa khít giữa vòi hút và máy hút bụi. Thiết bị này rất thuận tiện để vệ sinh sàn nhà khi đứng thẳng.

Vòi hút góc (Hình 23)

Lắp vòi hút góc để vệ sinh các góc và kẽ hở của ô tô hoặc đồ nội thất.

Vòi hút góc + Ống nối kéo dài (Ống trụ) (Hình 24)

Trong các góc hẹp mà máy hút bụi không thể luồn vào hoặc ở những nơi cao khó với tới, hãy sử dụng thiết bị này.

BẢO DƯỠNG

⚠ THẬN TRỌNG:

- Luôn đảm bảo rằng đã tắt dụng cụ trước khi cố gắng thực hiện kiểm tra hoặc bảo dưỡng.

Sau khi sử dụng

Khi cất giữ hoặc sạc máy hút bụi, khóa đầu vòi hút và treo máy bằng móc có bán trên thị trường. **(Hình 25)**

⚠ THẬN TRỌNG:

- Treo máy hút bụi vào tường mà không có móc có thể khiến máy hút bụi rơi xuống và bị hỏng. **(Hình 26)**

Vệ sinh (Hình 27)

Thỉnh thoảng, lau sạch bên ngoài (thân) máy hút bụi bằng vải ẩm nhúng trong nước xà phòng.

Vệ sinh phần hút, khu vực lắp túi chứa bụi/túi chứa bằng giấy và nắp chắn bụi.

⚠ THẬN TRỌNG:

- Không bao giờ dùng xăng, ết xăng, dung môi, cồn hoặc hóa chất tương tự. Có thể xảy ra hiện tượng mất màu, biến dạng hoặc nứt vỡ.

Rửa túi chứa bụi trong nước xà phòng khi túi bị tắc bụi và lực hút của máy hút bụi yếu đi. Sấy khô hoàn toàn trước khi sử dụng. Túi không được sấy đủ khô có thể khiến lực hút yếu và làm giảm tuổi thọ của động cơ. **(Hình 28)**

CHÚ Ý:

- Túi chứa bằng giấy là loại dùng một lần.

Khi lọc nút bị tắc bụi, hãy tháo lọc nút khỏi máy hút bụi, sau đó lau sạch hoặc rửa bằng nước.

Tháo và lắp lọc nút

Để tháo lọc nút, hãy tháo túi chứa bụi hoặc túi chứa bằng giấy, sau đó giữ và tháo lọc nút ra. **(Hình 29)**

Nhấn toàn bộ cạnh của lọc nút vào tấm chắn gắn chìm bên trong khu vực lắp túi chứa bụi/túi chứa bằng giấy. **(Hình 30)**

⚠ THẬN TRỌNG:

- Sau khi vệ sinh lọc nút, đảm bảo lắp lọc nút vào máy hút bụi. Nếu rửa bằng nước, hãy sấy khô lọc nút trước khi lắp đặt. Lọc nút không được sấy đủ khô có thể làm giảm tuổi thọ của động cơ.

Làm sạch vòi

Khi bàn chải vòi bị bẩn, hãy làm sạch bụi bẩn bằng băng dính. **(Hình 31)**

Giá treo tường dành cho máy hút bụi cầm tay hoạt động bằng pin

Phụ kiện tùy chọn

CHÚ Ý:

- Vít gắn vào giá đỡ không được đi kèm. Chuẩn bị vít phù hợp với vật liệu để gắn chặt vào.

Gắn giá treo tường dành cho máy hút bụi cầm tay hoạt động bằng pin vào tường bằng gỗ, dầm hoặc trụ chống, sao cho giá treo tường dành cho máy hút bụi cầm tay hoạt động bằng pin có thể gắn chặt được.

Luôn đảm bảo rằng giá treo tường dành cho máy hút bụi cầm tay hoạt động bằng pin được gắn chặt trước khi treo máy hút bụi. **(Hình 32)**

⚠ THẬN TRỌNG:

- Không treo máy hút bụi lên tường bằng cách gắn một cách bạo lực hoặc treo các thiết bị khác không phải máy hút bụi.

CHÚ Ý:

- Khi bạn không sạc máy hút bụi, bạn có thể gắn chốt vào giá treo tường dành cho máy hút bụi cầm tay hoạt động bằng pin như minh họa.

GỠ RỐI

Trước khi yêu cầu sửa chữa, hãy tự mình thực hiện kiểm tra trước. Nếu bạn phát hiện thấy có sự cố không được giải thích trong tài liệu hướng dẫn, không thử tháo dụng cụ đó. Thay vào đó, hãy hỏi Trung tâm Bảo trì Được ủy quyền của Makita, luôn sử dụng các bộ phận thay thế của Makita để sửa chữa.

Hiện tượng	Khu vực cần kiểm tra	Phương pháp khắc phục
Lọc hút yếu	Túi chứa bụi hoặc túi chứa bằng giấy có đầy bụi không?	Đổ hết bụi trong túi chứa bụi hoặc đổ hết túi chứa bằng giấy.
	Túi chứa bụi có bị tắc không?	Đổ hết bụi ra hoặc rửa túi chứa bụi.
	Túi chứa bằng giấy có bị tắc không?	Thay túi chứa bằng giấy.
	Có phải hộp pin đã được tháo không?	Sạc pin.
Không hoạt động	Có phải hộp pin đã được tháo không?	Sạc pin.

014744

CHÚ Ý:

- Không cố tự sửa máy hút bụi.

Vứt bỏ máy hút bụi

Một pin Li-ion được lắp sẵn vào máy hút bụi này. Luôn tháo pin trước khi vứt bỏ máy hút bụi.

Tháo pin có sẵn

⚠ THẬN TRỌNG:

- Không chạm vào cực pin bằng vật liệu dẫn điện.
 - Tránh cất giữ bộ pin trong hộp có các vật kim loại khác như đinh, tiền xu, v.v.
 - Không để bộ pin dính nước hoặc ngoài trời mưa.
 - Không tháo hoặc thay đổi bộ pin.
 - Phải rút máy hút bụi khỏi nguồn điện chính khi tháo pin.
1. Để tháo vỏ sau, đẩy theo hướng mũi tên. **(Hình 33)**
 2. Trượt pin có sẵn nửa chừng. Tháo dây dẫn khỏi pin bằng cách đẩy lùi nhẹ pin trong khi ấn đầu nối theo hướng mũi tên hiển thị trong hình. **(Hình 34)**
 3. Rời trượt bộ pin hoàn toàn. **(Hình 35)**
 4. Đặt bộ pin đã tháo ra vào một hộp bìa cứng để pin không bị đoản mạch.

Lắp pin thay thế

Để lắp pin thay thế, hãy thực hiện ngược lại với quy trình tháo.

⚠ THẬN TRỌNG: Đi dây dẫn sao cho dây được giấu hoàn toàn bên trong máy hút bụi trước khi lắp lại nắp sau vào vị trí ban đầu. Không làm như vậy có thể làm hư hại dây dẫn. **(Hình 36)**

Sau khi lắp pin (hãy xem “THÔNG SỐ KỸ THUẬT”), hãy sạc pin trước khi sử dụng. Để duy trì ĐỘ AN TOÀN và ĐỘ TIN CẬY của sản phẩm, việc sửa chữa, bảo dưỡng hoặc bất kỳ điều chỉnh nào khác đều phải do Trung tâm Bảo trì Được ủy quyền của Makita thực hiện, luôn sử dụng các bộ phận thay thế của Makita.

PHỤ KIỆN TỰY CHỌN

⚠ THẬN TRỌNG:

- Các phụ tùng hoặc phụ kiện này được khuyến nghị sử dụng với máy hút bụi Makita của bạn được chỉ định trong tài liệu này. Việc sử dụng bất kỳ phụ tùng hoặc phụ kiện nào khác có thể dẫn đến rủi ro thương tích cho con người. Chỉ sử dụng phụ tùng hoặc phụ kiện với mục đích được nêu.

Nếu bạn cần bất kỳ sự hỗ trợ nào để biết thêm chi tiết về các phụ tùng này, hãy hỏi Trung tâm Bảo trì Makita tại địa phương của bạn.

- Ống nối nối dài (Ống thẳng)

- Vòi xả
- Vòi hút dành cho thảm
- Bàn chải
- Vòi hút góc
- Bàn chải tròn
- Ống mềm
- Túi chứa bằng giấy
- Giá treo tường dành cho máy hút bụi cầm tay hoạt động bằng pin
- Phụ kiện ly tâm máy hút bụi
- Pin thay thế

CHÚ Ý:

- Một số mục trong danh sách có thể được bao gồm trong gói dụng cụ làm các phụ kiện chuẩn. Các mục này ở mỗi quốc gia có thể khác nhau.

Phụ kiện ly tâm máy hút bụi (Hình 37)

Về phụ kiện ly tâm máy hút bụi

Sử dụng máy hút bụi có lắp phụ kiện ly tâm máy hút bụi sẽ làm giảm lượng bụi đi vào túi chứa bụi, giúp ngăn lọc hút bụi hiệu quả. Ngoài ra, việc vệ sinh sau khi sử dụng cũng đơn giản.

⚠ THẬN TRỌNG:

- Luôn đảm bảo rằng đã tắt dụng cụ và tháo hộp pin ra trước khi thực hiện bất cứ thao tác nào trên dụng cụ. Nếu vẫn lắp hộp pin, máy hút bụi có thể khởi động bất ngờ và gây thương tích.
- Vệ sinh bộ lọc dạng lưới của phụ kiện ly tâm máy hút bụi và túi chứa bụi của thiết bị máy hút bụi khi các bộ phận này bị tắc. Sử dụng liên tục trong điều kiện bị tắc có thể dẫn đến nóng lên hoặc bốc khói.

CHÚ Ý:

- Khi gắn kèm phụ kiện ly tâm máy hút bụi, không sử dụng máy hút bụi trong điều kiện nằm ngang hoặc hướng lên trên. Làm như vậy có thể khiến bộ lọc dạng lưới bị tắc.
- Luôn sử dụng máy hút bụi có lắp túi chứa bụi, ngay cả khi sử dụng phụ kiện ly tâm máy hút bụi. Sử dụng máy hút bụi không lắp túi chứa bụi có thể gây trực tiếp động cơ.

CHÚ Ý:

- Kiểm tra để đảm bảo phụ kiện ly tâm máy hút bụi, máy hút bụi và ống thẳng được khóa đúng cách trước khi sử dụng.
- Đổ hết bụi trong hộp chứa bụi của phụ kiện ly tâm máy hút bụi và túi chứa bụi của máy hút bụi khi bụi đã tích tụ. Sử dụng liên tục sẽ khiến lực hút bụi yếu đi.

Thải bụi

Khi bụi đã tích tụ đến vạch đầy của hộp chứa bụi, hãy làm theo quy trình bên dưới và thải bỏ bụi.

1. Giữ chắc hộp chứa bụi, nhấn giữ hai nút này và tháo hộp chứa bụi ra. **(Hình 38)**
2. Thải bỏ bụi bên trong hộp chứa bụi đồng thời làm sạch bất kỳ bụi và bột nào dính vào bề mặt của bộ lọc dạng lưới.
3. Lắp hộp chứa bụi vào hết mức cho đến khi hai nút khóa với một tiếng cách. **(Hình 39)**

CHÚ Ý:

- Kiểm tra để đảm bảo phụ kiện ly tâm máy hút bụi, máy hút bụi và ống thẳng đều được kết nối thật chặt trước khi khởi động lại thao tác.
- Nếu lực hút không phục hồi cả sau khi thải bỏ bụi và vệ sinh bộ lọc dạng lưới, hãy kiểm tra xem bụi có tích tụ trong túi chứa bụi của máy hút bụi hoặc có xảy ra tắc nghẽn hay không.

Vệ sinh

Khi hộp chứa bụi bị bẩn hoặc bộ lọc dạng lưới bị tắc, hãy tháo và rửa các bộ phận này bằng nước. (Tham khảo “Thải bụi” để biết về quy trình tháo ra.)

Làm khô các bộ phận kỹ lưỡng trước khi lắp đặt lại và sử dụng. **(Hình 40)**

Khi bộ lọc dạng lưới bị bẩn nặng, hãy vệ sinh bộ lọc theo các quy trình sau đây.

1. Xoay bộ lọc dạng lưới ngược chiều kim đồng hồ và tháo ra khi các móc được mở khóa. **(Hình 41)**
2. Làm sạch bụi trên bộ lọc dạng lưới rồi rửa sạch bằng nước. Sau đó, làm khô bộ lọc hoàn toàn.
3. Lắp bộ lọc dạng lưới vào để trong khi các móc được căn chỉnh với cổng. Xoay bộ lọc dạng lưới theo chiều kim đồng hồ cho đến khi các móc được khóa lại với một tiếng cách. Đảm bảo rằng bộ lọc dạng lưới được lắp chắc chắn. **(Hình 42)**

คำเตือน

- เด็กที่มีอายุ 8 ปีขึ้นไปและผู้ที่มีความบกพร่องทางร่างกาย ประสาทสัมผัส หรือจิตใจ หรือผู้ที่ไม่มีความรู้และประสบการณ์จะสามารถใช้งานเครื่องใช้ไฟฟ้านี้ได้ก็ต่อเมื่อมีผู้ควบคุมดูแล หรือได้รับคำแนะนำเกี่ยวกับการใช้งานเครื่องใช้ไฟฟ้านี้อย่างปลอดภัยและเข้าใจถึงอันตรายที่อาจเกิดขึ้น
- ไม่ควรให้เด็กเล่นเครื่องใช้ไฟฟ้า ไม่ควรให้เด็กทำความสะอาดหรือบำรุงรักษาเครื่องใช้ไฟฟ้านี้โดยไม่มีผู้ควบคุมดูแล
- ดูข้อมูลอ้างอิงเกี่ยวกับประเภทของแบตเตอรี่ในบท “ข้อมูลทางเทคนิค”
- คู่มือการเปลี่ยนแบตเตอรี่ในหัวข้อ “การถอดแบตเตอรี่ติดตั้งภายใน” และ “การติดตั้งแบตเตอรี่สำหรับเปลี่ยน”
- แบตเตอรี่ที่มีลิเธียมไอออนอยู่ภายใต้ข้อบังคับว่าด้วยสินค้าอันตรายตามกฎหมาย เมื่อกำจัดแบตเตอรี่ ให้ถอดแบตเตอรี่ออกจากเครื่องมือและกำจัดในสถานที่ที่ปลอดภัย ปฏิบัติตามข้อกำหนดในท้องถิ่นเกี่ยวกับการทิ้งแบตเตอรี่ของท่าน
- ในสภาพที่เป็นอันตราย อาจมีของเหลวไหลออกมาจากแบตเตอรี่ อย่าสัมผัสของเหลวดังกล่าว หากสัมผัสโดยไม่ตั้งใจ ให้ใช้น้ำล้างเพื่อทำความสะอาด
- หากอิเล็กทรอนิกส์เข้าสู่ดวงตา ให้ล้างน้ำออก แล้วรีบไปพบแพทย์ทันที เนื่องจากอาจทำให้ตาบอดได้
- ดูข้อมูลอ้างอิงเกี่ยวกับประเภทของเครื่องชาร์จในบท “ข้อมูลทางเทคนิค” หากต้องการชาร์จแบตเตอรี่ใหม่ ให้ใช้เครื่องชาร์จที่ให้มาพร้อมกับเครื่องมือเท่านั้น
- หมายความว่าของสัญลักษณ์ที่ใช้กับเครื่องมือในสวน “สัญลักษณ์”
- ดูรายละเอียดข้อควรระวังที่เหมาะสมในระหว่างการดูแลรักษาโดยผู้ใช้ในบท “การดูแลรักษา”

คำอธิบายเกี่ยวกับมุมมองทั่วไป

1. ขั้วต่อสำหรับชาร์จ	14. รูของช่องดูดฝุ่น	26. ขั้วต่อ
2. ไฟแสดงสถานะแบตเตอรี่	15. กระดาษกรอง	27. สายตัวนำ
3. ปุ่มเปิด/เปลี่ยนความเร็ว	16. หัวดูด	28. แบตเตอรี่
4. ปุ่มปิด	17. ท่อดูดส่วนต่อขยาย	29. ท่อตรง
5. ฝาครอบด้านหน้า	18. หัวดูดมุม	30. อุปกรณ์ต่อพ่วงไซโคลน
6. ปุ่ม	19. ไม้กรองฟองน้ำ	31. ช่องดูดลมเข้า
7. ตัวเชื่อมต่อฝาครอบด้านหน้า	20. ฟองน้ำ	32. ซีตระดับสูงสุด
8. ที่กันฝุ่น	21. ผนังพัก	33. กาลังดักฝุ่น
9. ที่กันฝุ่นด้านบน	22. แปร่ง	34. ปุ่ม (สองตำแหน่ง)
10. ที่กันฝุ่นด้านล่าง	23. ที่แขวนติดผนังสำหรับเครื่องดูดฝุ่น	35. ตัวกรอง
11. ร่อง	ไส้สาย	36. ขอบเกี่ยว
12. ดុងเก็บฝุ่น	24. ปลั๊ก	37. พอร์ต
13. ร่องด้านล่าง	25. ฝาปิดด้านหลัง	

ข้อมูลทางเทคนิค

รุ่น		CL104D
ความจุ		500 มล. (สำหรับถุงเก็บฝุ่น) 330 มล. (สำหรับกระดาษกรอง)
การใช้งานอย่างต่อเนื่อง	3 (เทอร์โบ)	ประมาณ 10 นาที
	2 (แรง)	ประมาณ 15 นาที
	1 (เบา)	ประมาณ 30 นาที
ความยาวทั้งหมด	ไม่มีหัวดูด	446 มม.
	มีหัวดูด	983 มม.
น้ำหนักสุทธิ		1.1 กก.
อัตราแรงดันไฟฟ้า		10.8 โวลต์กระแสตรง
ดัดแปลงแบตเตอรี่สำหรับเปลี่ยน (หมายเลขชิ้นส่วนจะแตกต่างกันไปตามแต่ละประเทศ)		632C23*4, 632C25*0, 632C26*8
เครื่องชาร์จ		DC1001

- เนื่องจากการวิจัยและการพัฒนาของเราเป็นแผนงานต่อเนื่อง ดังนั้น ข้อมูลทางเทคนิคที่ระบุในเอกสารนี้อาจมีการเปลี่ยนแปลงโดยไม่ต้องแจ้งให้ทราบ
- ข้อมูลเทคนิคและดัดแปลงแบตเตอรี่อาจแตกต่างกันในแต่ละประเทศ
- น้ำหนักไม่รวมอุปกรณ์เสริม
- หากต้องการชาร์จแบตเตอรี่ใหม่ ให้ใช้เครื่องชาร์จที่ใหม่พร้อมกับเครื่องมือเท่านั้น

สัญลักษณ์

END331-1

เนื้อหาในส่วนต่อไปนี้จะแสดงสัญลักษณ์ที่อาจใช้กับอุปกรณ์โปรดศึกษาความหมายของสัญลักษณ์ให้เข้าใจก่อนการใช้งาน



..... อ่านคู่มือการใช้งาน



..... ชุดจ่ายไฟแบบถอดออกได้

วัตถุประสงค์การใช้งาน

ENE017-1

เครื่องมือนี้ผลิตขึ้นเพื่อใช้ในการจัดเก็บฝุ่นผงแบบแห้ง

คำเตือนด้านความปลอดภัยของ

เครื่องดูดฝุ่นไร้สาย

ENA007-2

⚠ คำเตือน: ข้อสำคัญ! โปรดอ่านคำเตือนด้านความปลอดภัยและคำแนะนำทั้งหมดอย่างละเอียดก่อนใช้งาน การไม่ปฏิบัติตามคำเตือน และคำแนะนำดังกล่าว อาจส่งผลให้เกิดไฟฟ้าช็อต ไฟไหม้ และ/หรือได้รับบาดเจ็บร้ายแรง

1. อย่าให้ถูกฝน จัดเก็บไว้ในอาคาร
2. ไม่ควรอนุญาตให้นำไปใช้เป็นของเล่น ดูแลอย่างใกล้ชิดเมื่อเด็ก ๆ เป็นผู้ใช้งานหรือใช้งานใกล้กับเด็ก ๆ
3. ใช้งานตามที่ระบุไว้ในคู่มือนี้เท่านั้น ใช้อุปกรณ์เสริมที่ได้รับคำแนะนำจากผู้ผลิตเท่านั้น
4. อย่าใช้งานแบตเตอรี่ที่ชำรุดเสียหาย หากอุปกรณ์ไม่ทำงานตามปกติ ร่วงหล่นลงพื้น ได้รับความเสียหาย ถูกทิ้งไว้กลางแจ้ง หรือตกน้ำ ให้นำส่งศูนย์บริการ
5. อย่าใช้งานอุปกรณ์ด้วยมือที่เปียกชื้น
6. อย่านำวัตถุใดๆ ใส่ลงในช่องลม อย่าใช้เครื่องมือที่มีวัตถุอุดตันช่องลม ให้นำฝุ่นผง เส้นใย เส้นผม หรือสิ่งต่างๆ ที่อาจทำให้การไหลเวียนของอากาศลดลงออก
7. ระงับอย่าให้เส้นผม เสื้อผ้าที่หลวมรุ่มร่าม นิ้วมือ และส่วนต่างๆ ของร่างกายอยู่ใกล้กับช่องลมและชิ้นส่วนที่เคลื่อนที่ได้
8. ก่อนถอดแบตเตอรี่ ต้องปิดการทำงานของตัวควบคุมทั้งหมดก่อน
9. ใช้ความระมัดระวังเป็นพิเศษในขณะที่ทำความสะอาดชั้นบันได
10. อย่าใช้ดูดของเหลวไวไฟหรือที่ติดไฟได้ง่าย เช่น น้ำมัน เชื้อเพลิง หรือใช้ในสถานที่ที่อาจมีของเหลวดังกล่าวอยู่
11. ใช้แทนชาร์จในการชาร์จไฟที่ผู้ผลิตให้มาเท่านั้น
12. อย่าใช้ดูดสิ่งที่ยืดหยุ่นหรือมีเปลวไฟ เช่น บุหรี่ ไม่ขีดไฟ หรือเก้าอี้ยังร้อนอยู่
13. ห้ามใช้งานหากไม่ได้ใส่ถุงเก็บฝุ่น และ/หรือตัวกรองไว้
14. อย่าชาร์จแบตเตอรี่กลางแจ้ง
15. ชาร์จไฟด้วยแท่นชาร์จที่ระบุโดยผู้ผลิตเท่านั้น แท่นชาร์จที่ใช้งานได้กับชุดแบตเตอรี่ประเภทหนึ่งอาจมีความเสี่ยงในการเกิดไฟไหม้ขึ้นเมื่อใช้กับชุดแบตเตอรี่ประเภทอื่น

16. ใช้เครื่องมือไฟฟ้ากับชุดแบตเตอรี่ที่ได้รับการออกแบบมาโดยเฉพาะ การใช้ชุดแบตเตอรี่ประเภทอื่นอาจทำให้ได้รับบาดเจ็บและเกิดไฟไหม้ได้
17. เมื่อไม่ได้ใช้งานชุดแบตเตอรี่ ให้เก็บไว้ให้ห่างจากวัตถุโลหะอื่น ๆ เช่น คลิปหนีบกระดาษ เหรียญ กุญแจ ตะปู สกรู หรือวัตถุโลหะขนาดเล็กอื่น ๆ ที่อาจทำการเชื่อมต่อกันจากขั้วหนึ่งไปยังอีกขั้วหนึ่ง
18. ในสภาพที่เป็นอันตราย อาจมีของเหลวไหลออกมาจากแบตเตอรี่ อย่าสัมผัสของเหลวดังกล่าว หากสัมผัสโดยไม่ตั้งใจ ให้ใช้น้ำล้างเพื่อทำความสะอาด
19. อย่าใช้งานชุดแบตเตอรี่หรือเครื่องมือที่เสียหายหรือผ่านการปรับแต่ง แบตเตอรี่ที่เสียหายหรือผ่านการปรับแต่งอาจมีรูปแบบการทำงานที่ไม่สามารถคาดเดาได้ ซึ่งอาจทำให้เกิดไฟไหม้, ระเบิด หรือเสี่ยงต่อการบาดเจ็บ
20. อย่าให้ชุดแบตเตอรี่หรือเครื่องมือสัมผัสเปลวไฟหรืออุณหภูมิที่สูงเกินไป การสัมผัสเปลวไฟหรืออุณหภูมิที่สูงเกินไป 130°C อาจทำให้เกิดการระเบิดได้
21. ปฏิบัติตามคำแนะนำในการชาร์จ และอย่าชาร์จชุดแบตเตอรี่หรือเครื่องมือเมื่ออยู่ในบริเวณที่มีอุณหภูมิอยู่นอกช่วงที่ระบุไว้ในคำแนะนำ การชาร์จที่ไม่เหมาะสมหรือการชาร์จเมื่ออยู่ในบริเวณที่มีอุณหภูมิอยู่นอกช่วงที่ระบุอาจทำให้แบตเตอรี่เสียหาย และเพิ่มความเสี่ยงต่อการเกิดไฟไหม้

- เนื่องจากกรรกระทำได้กล่าวอาจก่อให้เกิดไฟไหม้ การบาดเจ็บ และ/หรือความเสียหายต่อทรัพย์สิน
3. หากคุณสังเกตเห็นสิ่งผิดปกติ ต้องหยุดใช้งานทันที
4. หากคุณทำเครื่องดูดฝุ่นร่วงหล่นหรือได้รับแรงกระแทก ให้ตรวจสอบรอยแตกร้าวหรือความเสียหายของเครื่องอย่างละเอียดก่อนการใช้งาน
5. อย่าชาร์จเครื่องดูดฝุ่นใกล้กับวัสดุติดไฟได้ที่อันตราย เช่น น้ำมันเชื้อเพลิง แก๊ส สีทาบ้าน หรือกาวยา
6. อย่าชาร์จเครื่องดูดฝุ่นบนกระดาษ, ผ้า, พรม, โวนิล ฯลฯ เนื่องจากอาจเกิดไฟไหม้ได้
7. อย่าชาร์จเครื่องดูดฝุ่นในที่ที่มีฝุ่นมาก
8. หากใช้งานเครื่องดูดฝุ่นในที่สูง ต้องตรวจสอบให้แน่ใจว่าไม่มีคนอยู่ด้านล่าง
9. อย่านำเครื่องเข้าใกล้เตาไฟหรือแหล่งความร้อนอื่น ๆ
10. อย่าให้มีสิ่งกีดขวางช่องดูดฝุ่นหรือช่องลม

เก็บรักษาคำแนะนำเหล่านี้ไว้

คำแนะนำด้านความปลอดภัยที่สำคัญ

ENC010-3

สำหรับแบตเตอรี่ติดตั้งภายใน

1. ก่อนใช้งานแบตเตอรี่ติดตั้งภายใน โปรดอ่านคำแนะนำและข้อควรระวังทั้งหมดที่ระบุอยู่ใน (1) เครื่องชาร์จแบตเตอรี่ (2) แบตเตอรี่ และ (3) ผลิตภัณฑ์ที่ใช้แบตเตอรี่
2. อย่าถอดชิ้นส่วนแบตเตอรี่ติดตั้งภายใน
3. หากระยะเวลาที่สามารถใช้งานเครื่องได้สั้นเกินไป ให้หยุดใช้งานทันที เนื่องจากอาจทำให้มีความร้อนสูงเกินไป ซึ่งอาจลวกผิวหนัง และอาจร้ายแรงจนถึงขั้นเกิดการระเบิดได้
4. หากอิเล็กทรอนิกส์เข้าสู่ดวงตา ให้ล้างน้ำออก แล้วรีบไปพบแพทย์ทันที เนื่องจากอาจทำให้ตาบอดได้
5. อย่าลัดวงจรแบตเตอรี่ติดตั้งภายใน:
 - (1) อย่าให้วัสดุนำไฟฟ้าสัมผัสกับขั้วแบตเตอรี่
 - (2) อย่าจัดเก็บแบตเตอรี่ติดตั้งภายในภาชนะที่มีวัสดุโลหะอื่น ๆ เช่น ตะปู เหรียญ ฯลฯ
 - (3) อย่าให้แบตเตอรี่ติดตั้งภายในเปียกน้ำหรือฝน แบตเตอรี่ที่ลัดวงจรสามารถให้เกิดการไหลเวียนไฟฟ้าในปริมาณมาก มีความร้อนสูงเกินไป อาจลวกผิวหนัง และอาจร้ายแรงจนถึงขั้นที่ทำให้เกิดความชำรุดเสียหายได้
6. อย่าจัดเก็บและใช้เครื่องมือและแบตเตอรี่ติดตั้งภายในสถานที่ที่มีอุณหภูมิสูงกว่า 50 °C (122 °F)

เก็บรักษาคำแนะนำเหล่านี้ไว้

กฎเกณฑ์ด้านความปลอดภัยเพิ่มเติม

ENB106-3

1. อ่านคู่มือการใช้งานนี้และคู่มือการใช้งานเครื่องชาร์จอย่างละเอียดก่อนใช้งาน
2. อย่าใช้เครื่องดูดฝุ่นดังต่อไปนี้:
 - วัตถุที่มีความร้อน เช่น ก้นบุหรี่ที่ติดไฟอยู่ หรือประกายไฟ/ผงโลหะที่เกิดจากการเจีย/การตัดโลหะ
 - วัตถุไวไฟ เช่น น้ำมันเชื้อเพลิง ทินเนอร์ เบนซิน น้ำมันก๊าด หรือสีทาบ้าน
 - วัตถุระเบิด เช่น ไนโตรกลีเซอริน
 - วัตถุที่ก่อให้เกิดประกายไฟได้ เช่น อลูมิเนียม สังกะสี แมกนีเซียม ไททาเนียม ฟอสฟอรัส หรือเซลลูโลสอัด
 - สิ่งสกปรกที่มีความเปียกชื้น น้ำ น้ำมัน หรือวัตถุในลักษณะเดียวกัน
 - วัตถุแข็งที่มีขอบคม เช่น เศษไม้ โลหะ ก้อนหิน แก้ว ตะปู หมุด หรือโบมิตโกน
 - ผงที่สามารถจับตัวเป็นลิ่มได้ เช่น ซีเมนต์หรือผงหมึก
 - ฝุ่นผงที่เป็นสื่อไฟฟ้า เช่น โลหะหรือคาร์บอน
 - อนุภาคขนาดเล็ก เช่น ผงคอนกรีต

7. อย่านำแบตเตอรี่ติดตั้งภายในไปเผา แม้ว่าตัวแบตเตอรี่จะเสียหายมาก หรือเสื่อมสภาพอย่างสิ้นเชิง แบตเตอรี่ติดตั้งภายในสามารถระเบิดในกองไฟได้
8. ระวังอย่าให้แบตเตอรี่ร่วงหล่นหรือถูกกระแทก
9. อย่าใช้งานแบตเตอรี่ติดตั้งภายในที่ชำรุดเสียหาย
10. แบตเตอรี่ที่มีลิเทียมไอออนอยู่ภายใต้ข้อบังคับว่าด้วยสินค้าอันตรายตามกฎหมาย เมื่อกำจัดแบตเตอรี่ให้ถอดแบตเตอรี่ออกจากเครื่องมือและกำจัดในสถานที่ที่ปลอดภัย ปฏิบัติตามข้อกำหนดในท้องถิ่นเกี่ยวกับการทิ้งแบตเตอรี่ของท่าน
11. ใช้งานแบตเตอรี่กับผลิตภัณฑ์ที่ Makita ระบุไว้เท่านั้น

เก็บรักษาคำแนะนำเหล่านี้ไว้

เคล็ดลับในการดูแลรักษาแบตเตอรี่ให้มีอายุการใช้งานสูงสุด

1. ชาร์จแบตเตอรี่ติดตั้งภายในก่อนที่พลังงานจะหมด เมื่อคุณสังเกตเห็นว่ากำลังดูดของเครื่องมือลดลง ให้หยุดใช้งานเครื่องมือและชาร์จแบตเตอรี่ติดตั้งภายในก่อนเสมอ
2. อย่าชาร์จแบตเตอรี่ติดตั้งภายในที่ชาร์จจนเต็มแล้ว การชาร์จแบตเตอรี่มากเกินไปจะทำอายุการใช้งานของแบตเตอรี่สั้นลง
3. ชาร์จแบตเตอรี่ติดตั้งภายในในอุณหภูมิห้องระหว่าง 10°C - 40°C (50°F - 104°F) ปล่อยให้แบตเตอรี่ติดตั้งภายในเย็นตัวลงก่อนชาร์จ
4. หากไม่ได้ใช้งานเครื่องเป็นเวลานาน ควรชาร์จแบตเตอรี่ติดตั้งภายในทุกหกเดือน

คำอธิบายการใช้งาน

⚠️ ข้อควรระวัง:

- ก่อนปรับเปลี่ยนหรือตรวจสอบการทำงานของเครื่องมือ ต้องตรวจสอบให้แน่ใจว่าได้ปิดสวิตช์เครื่องมือก่อนแล้วทุกครั้ง

การชาร์จแบตเตอรี่ติดตั้งภายใน

⚠️ ข้อควรระวัง:

- อย่าใช้งานเครื่องดูดฝุ่นขณะชาร์จ เนื่องจากอาจเสียหายได้
- ถอดปลั๊กชาร์จ์ออกจากเครื่องดูดฝุ่นทุกครั้งหลังจากชาร์จเสร็จ
- เมื่อคุณชาร์จเครื่องดูดฝุ่นเครื่องใหม่หรือเครื่องดูดฝุ่นที่ปล่อยทิ้งไว้โดยไม่ได้ชาร์จเป็นเวลานาน อาจจะไม่เต็ม ซึ่งเป็นสภาพปกติและไม่ได้แสดงว่ามีปัญหาเกิดขึ้น คุณสามารถชาร์จเครื่องดูดฝุ่นจนเต็มได้ใหม่หลังจากคายประจุจนหมดแล้วสองสามครั้ง

ใช้เครื่องชาร์จ Makita DC1001 เพื่อชาร์จเครื่องดูดฝุ่น การใช้เครื่องชาร์จประเภทอื่นอาจทำให้แบตเตอรี่ระเบิด และส่งผลให้เกิดการบาดเจ็บและเครื่องมือเสียหาย

ชาร์จเครื่องดูดฝุ่นเมื่อใช้งานเป็นครั้งแรกหรือหากไม่ได้ชาร์จมาเป็นเวลานาน เชื่อมต่อปลั๊กชาร์จ์เข้ากับขั้วต่อชาร์จ์ แล้วเสียบปลั๊กเครื่องชาร์จ์เข้ากับเต้าเสียบ ไฟแสดงพลังงานแบตเตอรี่จะสว่างขึ้นและเริ่มการชาร์จ การชาร์จจะใช้เวลาประมาณ 3 ชั่วโมง ไฟจะดับลงหลังจากการชาร์จเสร็จสมบูรณ์ หากต้องการทราบรายละเอียดเพิ่มเติม โปรดดูคู่มือการใช้งานเครื่องชาร์จแบตเตอรี่ (ภาพที่ 1 และ 2)

การทำงานของสวิตช์

⚠️ ข้อควรระวัง:

- ก่อนใช้งาน ต้องตรวจสอบให้แน่ใจว่าติดตั้งถุงเก็บฝุ่นหรือกระดาด مخروطในเครื่องดูดฝุ่นอย่างถูกต้อง การติดตั้งอย่างไม่ถูกต้องจะทำให้ฝุ่นเข้าไปในมอเตอร์ ซึ่งจะทำให้เครื่องดูดฝุ่นทำงานผิดปกติ
- ปิดเครื่องดูดฝุ่นทุกครั้งหลังจากใช้งานในแต่ละครั้ง เพื่อป้องกันความเสียหายกับเครื่องดูดฝุ่นและยืดอายุการใช้งานของแบตเตอรี่

หากต้องการเริ่มต้นใช้งานเครื่องดูดฝุ่น เพียงกดปุ่มเปิด/เปลี่ยนความเร็วเท่านั้น หากต้องการปิดสวิตช์ ให้กดปุ่มปิด คุณสามารถเปลี่ยนความเร็วของเครื่องดูดฝุ่นได้ในสามขั้นตอน โดยกดปุ่มเปิด/เปลี่ยนความเร็ว

การกดปุ่มนี้ครั้งแรกจะเป็นการเปิดใช้งานโหมดความเร็วสูง, การกดครั้งที่สองเป็นการเปิดใช้งานโหมดความเร็วสูงสุด และการกดครั้งที่สามเป็นการเปิดใช้งานความเร็วปกติ การกดปุ่มนี้ซ้ำๆ ในแต่ละครั้ง จะเปลี่ยนเป็นโหมดความเร็วสูง/ความเร็วสูงสุด/ความเร็วต่ำสลับกันไป (ภาพที่ 3)

ไฟแสดงสถานะแบตเตอรี่ (ภาพที่ 2)

เมื่อความจุแบตเตอรี่ครึ่งเหลือเริ่มน้อยลง ไฟแสดงสถานะแบตเตอรี่จะกะพริบ

เมื่อแบตเตอรี่อ่อนมาก เครื่องมือจะหยุดทำงาน และไฟแสดงสถานะแบตเตอรี่จะสว่างขึ้นประมาณ 10 วินาที ในตอนนี้ให้ชาร์จเครื่องดูดฝุ่น

หมายเหตุ:

- เวลาที่ไฟแสดงสถานะแบตเตอรี่เริ่มกะพริบหรือสว่างจะขึ้นอยู่กับอุณหภูมิในที่ทำงาน และสภาพของดัลบ์แบตเตอรี่

การประกอบ

การทิ้งฝุ่นผง

⚠️ ข้อควรระวัง:

- ฝุ่นผงออกจากเครื่องดูดฝุ่นก่อนที่จะมีปริมาณมากเกินไป มิฉะนั้น แรงดูดจะอ่อนลง

- ตรวจสอบว่าฝุ่นผงภายในเครื่องดูดฝุ่นได้ถูกเททิ้งออกไปจนหมด การไม่ปฏิบัติตามนั้นอาจทำให้ไส้กรองฟองน้ำอุดตันหรือทำให้มอเตอร์ชำรุดเสียหาย
 - อย่าทิ้งที่กั้นฝุ่น เพราะส่วนประกอบชิ้นนี้ควรนำไปใช้งานในกรณีที่ใช้ถุงเก็บฝุ่นหรือกระดาษกรอง
1. กดปุ่มเพื่อเปิดฝาครอบด้านหน้า เปิดไว้จนกว่าจะได้ยินเสียงคลิกเพื่อให้หยุดอยู่ในตำแหน่งนี้ (ภาพที่ 4)

⚠ ข้อควรระวัง:

- ในขณะที่ปิดฝาครอบด้านหน้า ระวังอย่าให้หนีบนิ้วมือของคุณ

หมายเหตุ:

- เมื่อเปิดฝาครอบด้านหน้ามากกว่า 90° ฝาครอบด้านหน้าจะหลุดออกมา หากฝาครอบด้านหน้าหลุดออกมา ใส่เล็บเข้าไปในตัวเชื่อมต่อฝาครอบด้านหน้าจนลึกลงลิตร (ภาพที่ 5)
- 2. ดึงที่กั้นฝุ่นสี่เหลี่ยมและถุงเก็บฝุ่นออกมาพร้อมๆ กัน (ภาพที่ 6)
- 3. ถอดที่กั้นฝุ่นออกและเทขยะในเครื่องดูดฝุ่นทิ้งไปให้หมด (ภาพที่ 7 และ 8)

ถุงเก็บฝุ่นและกระดาษกรอง

ติดตั้งถุงเก็บฝุ่นหรือกระดาษกรองก่อนใช้งานเครื่องดูดฝุ่นใช้ที่กั้นฝุ่นเมื่อติดตั้งถุงเก็บฝุ่นหรือกระดาษกรอง ถุงเก็บฝุ่นสามารถใส่ซ้ำได้หลายครั้งหลังจากนำไปทำความสะอาด ส่วนกระดาษกรองเป็นประเภทที่ใช้แล้วทิ้ง ทั้งชุดกระดาษกรองทั้งหมดโดยไม่ต้องเทออกเมื่อฝุ่นผงในเครื่องเต็ม

การติดตั้งถุงเก็บฝุ่น (ภาพที่ 9)

ใช้ที่กั้นฝุ่นเมื่อติดตั้งทั้งถุงเก็บฝุ่น ระยะเวลาวิ่งไม่นานที่กั้นฝุ่นด้านบนและด้านล่างไปใช้สลับกันอย่างไม่ตั้งใจ เนื่องจากที่กั้นฝุ่นทั้งสองด้านมีความแตกต่างกัน

1. เสียบส่วนที่ยื่นออกมาของถุงเก็บฝุ่นเข้าไปในร่องของที่กั้นฝุ่นตามที่แสดงในภาพ (ภาพที่ 10)
2. ถุงเก็บฝุ่นทั้งด้านบนและด้านล่างไม่มีความแตกต่างกัน ดังนั้นคุณสามารถเสียบส่วนที่ยื่นออกมาด้านใดก็ได้เข้าไปในร่องด้านล่างของที่กั้นฝุ่น (ภาพที่ 11)
3. ซ้อนขอบของที่กั้นฝุ่นทับกับขอบของถุงเก็บฝุ่น (ภาพที่ 12)
4. ประกอบที่กั้นฝุ่นและถุงเก็บฝุ่นเข้าด้วยกันโดยให้เข้าไปอยู่ในรูของช่องดูดฝุ่นในทิศทางเดียวกับลูกศรที่อยู่บนที่กั้นฝุ่น เสียบส่วนประกอบทั้งสองเข้าไปในช่องที่อยู่ในรูของช่องดูดฝุ่นจนสุด (ภาพที่ 13)
5. ใส่ส่วนที่เป็นผ้าทั้งหมดของถุงเก็บฝุ่นเข้าไปข้างในตัวเครื่อง (ภาพที่ 14)
6. ปิดฝาครอบด้านหน้าให้แน่นสนิท (ภาพที่ 15)

การติดตั้งกระดาษกรอง

1. คลี่ปากของกระดาษกรองออกก่อนจะประกอบเข้าไปบนที่กั้นฝุ่น (ภาพที่ 16)

ใช้ที่กั้นฝุ่นด้วยเมื่อติดตั้งกระดาษกรอง ระยะเวลาวิ่งไม่นานที่กั้นฝุ่นด้านบนและด้านล่างไปใช้สลับกันอย่างไม่ตั้งใจ เนื่องจากที่กั้นฝุ่นทั้งสองด้านมีความแตกต่างกัน (ภาพที่ 9)

2. เสียบส่วนที่ยื่นออกมาของกระดาษกรองเข้าไปในร่องของที่กั้นฝุ่นตามที่แสดงในภาพ (ภาพที่ 17)
3. กระดาษกรองทั้งด้านบนและด้านล่างไม่มีความแตกต่างกัน ดังนั้นคุณสามารถเสียบส่วนที่ยื่นออกมาด้านใดก็ได้เข้าไปในร่องด้านล่างของที่กั้นฝุ่น (ภาพที่ 11)
4. วางขอบของกระดาษกรองซ้อนทับขอบของที่กั้นฝุ่น (ภาพที่ 18)
5. ประกอบที่กั้นฝุ่นและกระดาษกรองเข้าด้วยกันโดยให้เข้าไปอยู่ในรูของช่องดูดฝุ่นในทิศทางเดียวกับลูกศรที่อยู่บนที่กั้นฝุ่น เสียบส่วนประกอบทั้งสองเข้าไปในช่องที่อยู่ในรูของช่องดูดฝุ่นจนสุด (ภาพที่ 19)
6. ใส่ส่วนที่เป็นผ้าทั้งหมดของกระดาษกรองไปข้างในตัวเครื่อง (ภาพที่ 14)
7. ปิดฝาครอบด้านหน้าให้แน่นสนิท

⚠ ข้อควรระวัง:

- ติดตั้งที่กั้นฝุ่นที่มีถุงเก็บฝุ่นหรือกระดาษกรองให้ถูกต้อง การใช้งานเครื่องมือโดยที่ติดตั้งไม่ถูกต้อง หรือใช้งานถุงที่แตกหรือเปียก จะทำให้ฝุ่นเข้าไปในมอเตอร์ ซึ่งอาจทำให้มอเตอร์เสียหายได้
- อย่าพับกระดาษแข็งที่กำลังเปิดอยู่เมื่อติดตั้งกระดาษกรอง
- อย่าเอาที่กั้นฝุ่นไปทิ้ง เพราะส่วนประกอบชิ้นนี้สามารถนำไปใช้ซ้ำได้ทั้งในกรณีที่ใช้ถุงเก็บฝุ่นหรือกระดาษกรอง
- กระดาษกรองสำหรับเครื่องดูดฝุ่นเป็นส่วนประกอบสำคัญในการดูแลรักษาให้เครื่องทำงานได้ตามปกติ หากคุณใช้กระดาษกรองของแถมอื่นๆ อาจจะทำให้เกิดควันหรือประกายไฟได้

การใช้งาน (ภาพที่ 20)

หากต้องการเชื่อมต่อส่วนประกอบต่างๆ เช่น หัวดูด ให้บิดแล้วสอดเข้าไปให้แน่นเพื่อให้เชื่อมต่ออย่างแน่นหนาขณะใช้งาน หากต้องการถอดส่วนประกอบต่างๆ ให้บิดและถอดออก

การทำความสะอาด (การดูด)

หัวดูด (ภาพที่ 21)

ประกอบหัวดูดเพื่อทำความสะอาดโต๊ะ โต๊ะทำงาน เฟอร์นิเจอร์ ฯลฯ หัวดูดสามารถสวมเข้าไปได้ง่าย

หัวดูด + ท่อดูดส่วนต่อขยาย (ท่อตรง) (ภาพที่ 22)

ท่อดูดส่วนต่อขยายจะเชื่อมต่อระหว่างหัวดูดและตัวเครื่องดูดฝุ่น การติดตั้งส่วนประกอบนี้จะสะดวกในการทำความสะอาดพื้นในขณะที่ยืนตัวตรง

หัวดูดมูม (ภาพที่ 23)

ประกอบหัวดูดมูมเพื่อทำความสะอาดตามมูมและรอยแยกต่างๆ ของรถยนต์หรือเฟอร์นิเจอร์

หัวดูดมูม + ท่อดูดสั้นต่อขยาย (ท่อตรง) (ภาพที่ 24)

ขอแนะนำให้ใช้ส่วนประกอบนี้ในบริเวณที่คับแคบซึ่งเครื่องดูดฝุ่นไม่สามารถเข้าไปได้ หรือในที่สูงที่เอื้อมถึงยาก

การดูแลรักษา

⚠ ข้อควรระวัง:

- ตรวจสอบว่าปิดสวิตช์และถอดปลั๊กเครื่องแล้วทุกครั้งก่อนทำการตรวจสอบหรือดูแลรักษาเครื่อง

หลังจากการใช้งาน

การเก็บเครื่องดูดฝุ่นหรือการชาร์จ ให้ถือคหัวดูด และแขนไว้ด้วยตะขอที่หาซื้อได้ตามท้องตลาด (ภาพที่ 25)

⚠ ข้อควรระวัง:

- การวางเครื่องดูดฝุ่นพิงผนังโดยไม่มีตะขอ อาจทำให้เครื่องดูดฝุ่นร่วงหล่นและชำรุดเสียหายได้ (ภาพที่ 26)

การทำความสะอาด (ภาพที่ 27)

ให้ใช้ผ้าหมาดชุบน้ำสบูเช็ดภายนอก (ตัวเครื่องดูดฝุ่น) ของเครื่องดูดฝุ่นอย่างสม่ำเสมอ

ทำความสะอาดช่องดูด บริเวณที่ประกอบถุงเก็บฝุ่น/กระดาดษกรอง และที่กั้นฝุ่น

⚠ ข้อควรระวัง:

- อย่าใช้น้ำมันเชื้อเพลิง, เบนซิน, ทินเนอร์, แอลกอฮอล์ หรือวัสดุที่คล้ายคลึงกัน เนื่องจากอาจทำให้เครื่องมือสีซีดจาง ผิดรูปทรง หรือแตกหักได้

ล้างถุงเก็บฝุ่นในน้ำสบูเมื่อมีฝุ่นฝังอุดตัน และเมื่อกำลังของเครื่องดูดฝุ่นน้อยลง ปลดข้อให้แห้งสนิทก่อนใช้งาน ถุงที่แห้งไม่สนิท อาจทำให้การดูดไม่มีประสิทธิภาพและทำให้มอเตอร์มีอายุการใช้งานสั้นลง (ภาพที่ 28)

หมายเหตุ:

- ส่วนกระดาดษกรองเป็นประเภทที่ใช้แล้วทิ้ง เมื่อได้กรองฟองน้ำมีฝุ่นฝังอุดตัน ให้ถอดได้กรองออกจากเครื่องดูดฝุ่น แล้วเช็ดทำความสะอาดหรือล้างในน้ำ

การถอดและการติดตั้งได้กรองฟองน้ำ

ในการถอดได้กรองฟองน้ำออก ให้ถอดถุงเก็บฝุ่นหรือกระดาดษกรองออก แล้วบีบเพื่อนำได้กรองออก (ภาพที่ 29)

กดขอบของได้กรองฟองน้ำทั้งอันไปในด้านตรงกันข้ามกับผนังพักที่อยู่ด้านในของส่วนที่ประกอบถุงเก็บฝุ่น/กระดาดษกรอง (ภาพที่ 30)

⚠ ข้อควรระวัง:

- หลังจากทำความสะอาดได้กรองฟองน้ำ อย่าลืมติดตั้งได้กรองฟองน้ำเข้าในเครื่องดูดฝุ่น หากนำมาล้างในน้ำ ให้ทิ้งไว้จนแห้งก่อนนำมาติดตั้ง ได้กรองฟองน้ำที่แห้งไม่สนิท อาจทำให้มอเตอร์มีอายุการใช้งานสั้นลง

การทำความสะอาดหัวดูด

เมื่อแปร่งที่หัวดูดสกปรก ให้ทำความสะอาดสิ่งสกปรกออกโดยใช้แผ่นกว (ภาพที่ 31)

ที่แขวนติดผนังสำหรับเครื่องดูดฝุ่นไร้สาย

อุปกรณ์เสริม

หมายเหตุ:

- ไม่รวมสกรูสำหรับยึดที่ยึด เตรียมสกรูที่เหมาะสมกับวัสดุเพื่อขึงยึด

ติดที่แขวนติดผนังสำหรับเครื่องดูดฝุ่นไร้สายเข้ากับผนัง คานหรือเสาไม้ที่แข็งแรง ซึ่งสามารถยึดที่แขวนติดผนังสำหรับเครื่องดูดฝุ่นไร้สายได้อย่างแน่นอน ตรวจสอบให้แน่ใจว่าที่แขวนติดผนังสำหรับเครื่องดูดฝุ่นไร้สายถูกยึดอย่างแน่นหนาดีแล้วก่อนจะแขวนเครื่องดูดฝุ่น (ภาพที่ 32)

⚠ ข้อควรระวัง:

- อย่าแขวนเครื่องดูดฝุ่นกับที่แขวนติดผนังอย่างรุนแรงหรือแขวนเครื่องใช้อื่นที่นอกเหนือจากเครื่องดูดฝุ่น

หมายเหตุ:

- เมื่อคุณไม่ได้ชาร์จเครื่องดูดฝุ่น คุณสามารถเก็บปลั๊กไว้กับที่แขวนติดผนังสำหรับเครื่องดูดฝุ่นไร้สายตามที่แสดงในภาพประกอบ

การแก้ไขปัญหา

ก่อนที่จะส่งอุปกรณ์ไปซ่อมแซม ให้ตรวจสอบด้วยตัวคุณเองก่อน หากพบปัญหาที่ไม่มีรายละเอียดในคู่มือ อย่าพยายามแยกชิ้นส่วนของอุปกรณ์ คุณควรขอให้ศูนย์บริการที่ได้รับอนุญาตของ Makita ทำการซ่อมแซมโดยใช้ชิ้นส่วนของแท้ของ Makita เสมอ

อาการ	บริเวณที่ต้องตรวจสอบ	วิธีการซ่อมแซม
แรงดูดอ่อน	ถุงเก็บฝุ่นหรือกระดาดทรงเต็มหรือไม่?	เทฝุ่นออกจากถุงเก็บฝุ่นหรือกระดาดทรง
	ถุงเก็บฝุ่นอุดตันหรือไม่?	เทฝุ่นออกหรือล้างถุงเก็บฝุ่น
	กระดาดทรงอุดตันหรือไม่?	เปลี่ยนกระดาดทรง
	กำลังไฟในด้ามแบตเตอรี่หมดหรือไม่?	ชาร์จแบตเตอรี่
ไม่ทำงาน	กำลังไฟในด้ามแบตเตอรี่หมดหรือไม่?	ชาร์จแบตเตอรี่

014744

หมายเหตุ:

- อย่าพยายามซ่อมแซมเครื่องดูดฝุ่นด้วยตัวเอง

การทิ้งเครื่องดูดฝุ่น

ในเครื่องดูดฝุ่นจะมีแบตเตอรี่ลิเธียมไอออนติดตั้งไว้ ต้องถอดออกก่อนทิ้งเครื่องดูดฝุ่น

การถอดแบตเตอรี่ติดตั้งภายใน

⚠️ ข้อควรระวัง:

- อย่าให้วัสดุนำไฟฟ้าสัมผัสกับขั้วแบตเตอรี่
 - อย่าจับเก็บแบตเตอรี่ในภาชนะที่มีวัสดุโลหะอื่นๆ เช่น ตะปู เหรียญ ฯลฯ
 - อย่าปล่อยให้แบตเตอรี่สัมผัสน้ำหรือฝน
 - อย่าถอดชิ้นส่วนหรือเปลี่ยนแบตเตอรี่
 - เมื่อจะถอดแบตเตอรี่ จะต้องถอดแหล่งจ่ายไฟหลักของเครื่องดูดฝุ่นออกก่อน
- หากต้องการถอดฝาปิดด้านหลัง ให้กดในทิศทางตามลูกศร (ภาพที่ 33)
 - เลื่อนแบตเตอรี่ติดตั้งภายในไปครึ่งทาง ปลดสายตัวนำออกจากแบตเตอรี่โดยการเลื่อนแบตเตอรี่ไปทางด้านหลังเล็กน้อย ในระหว่างที่กดที่ขั้วต่อในทิศทางตามลูกศรที่แสดงในภาพ (ภาพที่ 34)
 - จากนั้นจึงเลื่อนแบตเตอรี่ไปจนสุด (ภาพที่ 35)
 - นำแบตเตอรี่ที่ถอดออกมาเก็บไว้ในกล่องบรรจุเพื่อไม่ให้เกิดการลัดวงจร

การติดตั้งแบตเตอรี่สำหรับเปลี่ยน

ในการติดตั้งแบตเตอรี่สำหรับเปลี่ยน ให้ปฏิบัติตามขั้นตอนการถอดตามลำดับย้อนกลับ

⚠️ ข้อควรระวัง:

- จัดตำแหน่งสายเพื่อเก็บสายไว้ในช่องดูดฝุ่นก่อนที่จะปิดฝาปิดด้านหลังกลับเข้าที่ หากไม่ปฏิบัติตามอาจทำให้สายชำรุดเสียหายได้ (ภาพที่ 36)
- หลังจากติดตั้งแบตเตอรี่ (ดูที่ "ข้อมูลทางเทคนิค") ให้ชาร์จแบตเตอรี่ก่อนใช้งาน
- เพื่อดูแลให้ผลิตภัณฑ์มีความปลอดภัยและไว้วางใจได้ ควรส่งผลิตภัณฑ์ไปยังศูนย์บริการที่ได้รับอนุญาตของ Makita เพื่อ

ดำเนินการซ่อมแซม ดูแลรักษา หรือปรับ และใช้อะไหล่แท้ของ Makita เท่านั้น

อุปกรณ์เสริม

⚠️ ข้อควรระวัง:

- ขอแนะนำให้อุปกรณ์เสริมหรือส่วนประกอบเหล่านี้กับเครื่องมือ Makita ของคุณตามที่ระบุในคู่มือนี้ การใช้อุปกรณ์เสริมหรือส่วนประกอบอื่นอาจทำให้ผู้ใช้ได้รับบาดเจ็บ ใช้ อุปกรณ์เสริมหรือส่วนประกอบตามที่ระบุไว้เท่านั้น
- หากต้องการทราบรายละเอียดเพิ่มเติมเกี่ยวกับอุปกรณ์เสริมดังกล่าว โปรดสอบถามศูนย์บริการของ Makita ในพื้นที่ของคุณ
- ท่อดูดสวนต่อขยาย (ท่อตรง)
- หัวดูด
- หัวดูดพรม
- แปรงปัดขนานวงของ
- หัวดูดมุม
- แปรงกลม
- ท่อดูดแบบอ่อน
- กระดาดทรง
- ที่แขวนติดผนังสำหรับเครื่องดูดฝุ่นไร้สาย
- อุปกรณ์ต่อพ่วงไซโคลน
- แบตเตอรี่สำหรับเปลี่ยน

หมายเหตุ:

- อุปกรณ์เสริมบางรายการอาจเป็นอุปกรณ์เสริมมาตรฐานที่รวมอยู่ในชุดเครื่องมือแล้วทั้งนี้ อาจมีความแตกต่างกันในแต่ละประเทศ

อุปกรณ์ต่อพ่วงไซโคลน (ภาพที่ 37)

เกี่ยวกับอุปกรณ์ต่อพ่วงไซโคลน

การใช้เครื่องดูดฝุ่นโดยติดตั้งอุปกรณ์ต่อพ่วงไซโคลนจะช่วยลดปริมาณฝุ่นที่เข้าไปในถุงเก็บฝุ่น ซึ่งจะช่วยป้องกันไม่ให้แรงดูดอ่อนลง นอกจากนี้ การทำความสะอาดหลังการใช้งานก็ง่ายด้วย

⚠️ ข้อควรระวัง:

- ก่อนที่จะทำงานใดๆ กับเครื่อง ให้ตรวจสอบว่าปิดสวิตช์เครื่องและถอดด้ามแบตเตอรี่ออกแล้วทุกครั้ง หากใส่

ดัดแปลงแต่เครื่องตัดไม้ เครื่องตัดหญ้าหรือเครื่องตัดหญ้าโดยอัตโนมัติ และอาจส่งผลให้เกิดการบาดเจ็บได้

- **ทำความสะอาดตัวกรองของอุปกรณ์ต่อพ่วงไซโคลน และถุงเก็บฝุ่นของเครื่องดูดฝุ่นเมื่อฝุ่นอุดตัน** การใช้งานต่อในขณะที่ฝุ่นอุดตันอาจทำให้เกิดความร้อนหรือควันได้

ข้อสังเกต:

- **เมื่อติดตั้งอุปกรณ์ต่อพ่วงไซโคลน อย่าใช้เครื่องดูดฝุ่นในแนวนอนหรือหงายขึ้น** มิฉะนั้น อาจทำให้ตัวกรองเกิดการอุดตัน
- **ใช้เครื่องดูดฝุ่นที่ติดตั้งถุงเก็บฝุ่นไว้เสมอ ถึงแม้จะใช้งานอุปกรณ์ต่อพ่วงไซโคลนด้วย** การใช้เครื่องดูดฝุ่นโดยไม่ติดตั้งถุงเก็บฝุ่นอาจทำให้มอเตอร์ทำงานผิดปกติ

หมายเหตุ:

- ตรวจสอบว่าลือคอุปกรณ์ต่อพ่วงไซโคลน เครื่องดูดฝุ่น และท่อตรงให้เหมาะสมก่อนการใช้งาน
- ทำความสะอาดกล่องดักฝุ่นของอุปกรณ์ต่อพ่วงไซโคลน และถุงเก็บฝุ่นของเครื่องดูดฝุ่นเมื่อมีฝุ่นสะสม การใช้งานต่อจะทำให้แรงดูดอ่อนลง

การทิ้งฝุ่นผง

เมื่อมีฝุ่นสะสมถึงขีดระดับสูงสุดของกล่องดักฝุ่น ให้ปฏิบัติตามกระบวนการด้านล่างและนำถุงฝุ่นออกไปทิ้ง

1. จับกล่องดักฝุ่นให้แน่น กดปุ่มทั้งสองข้างไว้ และถอดกล่องดักฝุ่นออก (ภาพที่ 38)
2. นำถุงฝุ่นภายในกล่องดักฝุ่นออกไปทิ้ง จากนั้นจึงทำความสะอาดฝุ่นและผงที่ติดบนพื้นผิวตัวกรอง
3. ใส่กล่องดักฝุ่นจนสุดจนกว่าจะได้ยินเสียงคลิกจากลือคของปุ่มทั้งสอง (ภาพที่ 39)

หมายเหตุ:

- ตรวจสอบว่าเชื่อมต่อกับอุปกรณ์ต่อพ่วงไซโคลน เครื่องดูดฝุ่น และท่อตรงให้แน่นก่อนการใช้งานอีกครั้ง
- หากแรงดูดไม่ดีขึ้นหลังจากนำถุงฝุ่นออกไปทิ้งและทำความสะอาดตัวกรองแล้ว ให้ตรวจสอบว่ามีฝุ่นสะสมในถุงเก็บฝุ่นของเครื่องดูดฝุ่นหรือมีฝุ่นอุดตันหรือไม่

การทำความสะอาด

เมื่อกล่องดักฝุ่นมีคราบสกปรกหรือตัวกรองมีฝุ่นอุดตัน ให้เปิดออกและนำไปล้างน้ำ (โปรดดูขั้นตอนการกำจัดฝุ่นใน “การทิ้งฝุ่นผง”)

ตากชิ้นส่วนให้แห้งก่อนนำมาติดตั้งและใช้งานอีกครั้ง (ภาพที่ 40) เมื่อตัวกรองมีคราบสกปรกมาก ให้ล้างตามขั้นตอนดังต่อไปนี้

1. หมุนตัวกรองทวนเข็มนาฬิกาและถอดออกหลังจากปลดลือคขอเกี่ยว (ภาพที่ 41)
2. บัดฝุ่นบนตัวกรองแล้วนำไปล้างน้ำ หลังจากนั้น ให้ตากจนแห้ง
3. ใส่ตัวกรองที่ฐานโดยให้ขอเกี่ยวตรงกับข้อต่อ หมุนตัวกรองตามเข็มนาฬิกาจนกว่าขอเกี่ยวจะส่งเสียงคลิก ตรวจสอบให้แน่ใจว่าติดตั้งตัวกรองแน่นหนาดีแล้ว (ภาพที่ 42)

Makita Corporation

3-11-8, Sumiyoshi-cho,
Anjo, Aichi 446-8502 Japan