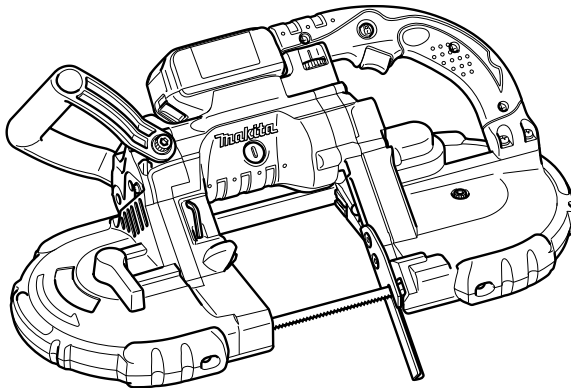




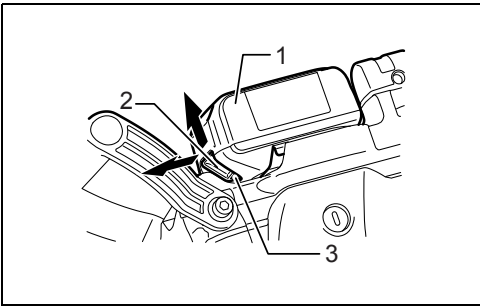
EN	Cordless Portable Band Saw	Instruction manual
ZHCN	充电式轻便带锯	使用说明书
ID	Gergaji Pita Jinjing Nirkabel	Petunjuk penggunaan
VI	Máy Cưa Vòng Cầm Tay Hoạt Động Bằng Pin	Tài liệu hướng dẫn
TH	เลื่อยสายพานแบบพกพาไร้สาย	คู่มือการใช้งาน

DPB180



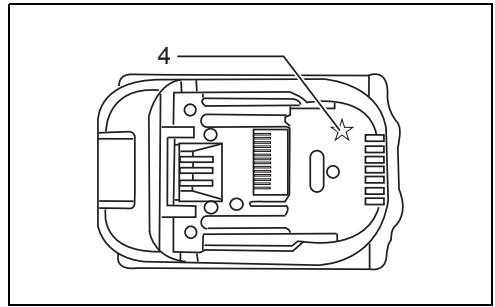
007297





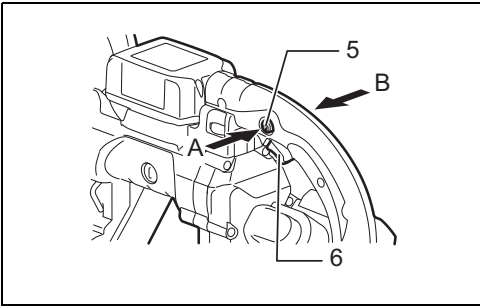
1

014183



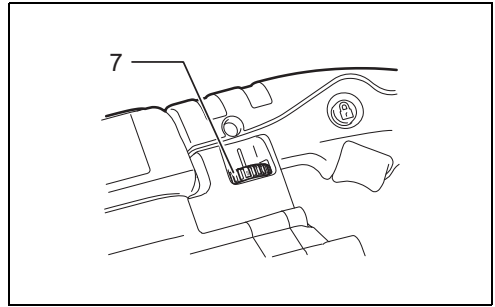
2

012128



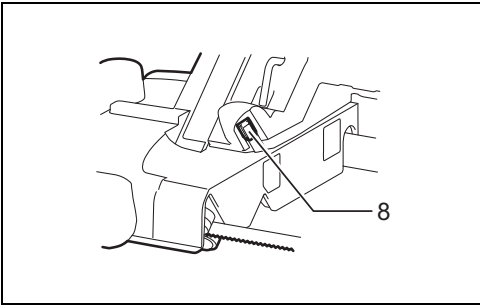
3

007147



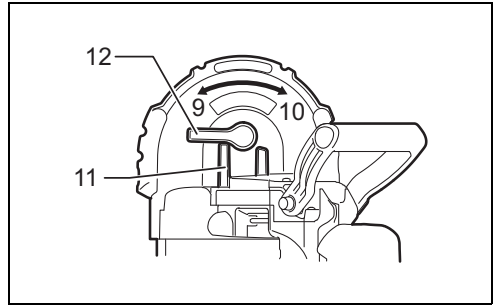
4

007148



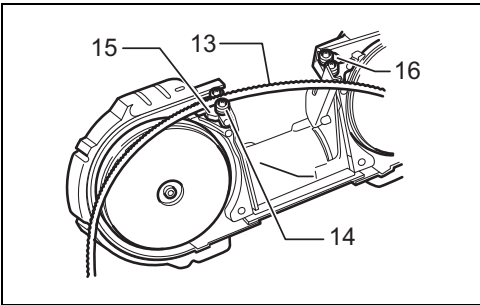
5

007149



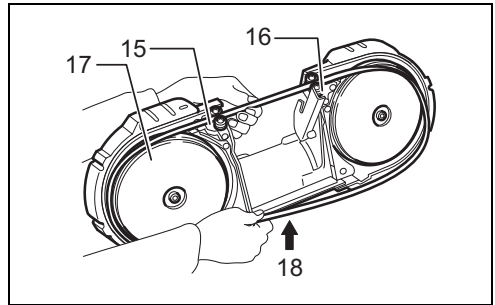
6

007299



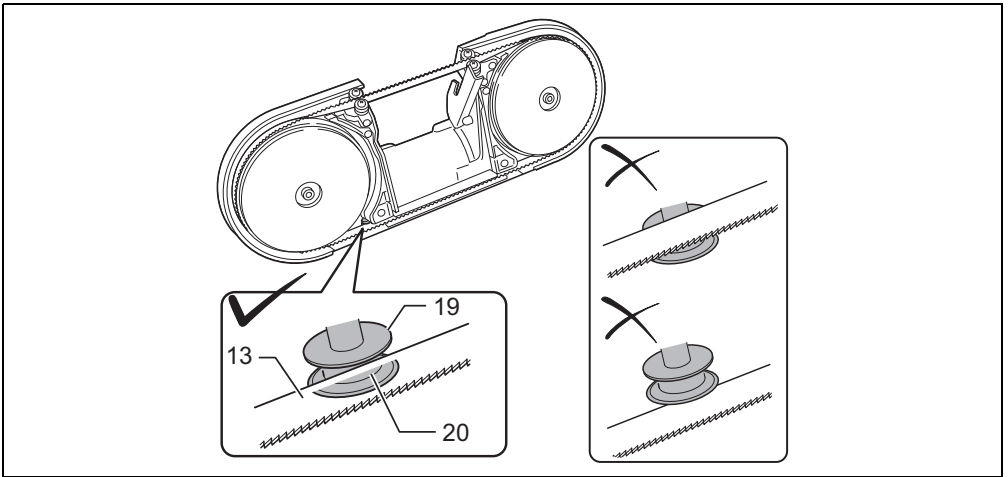
7

006192



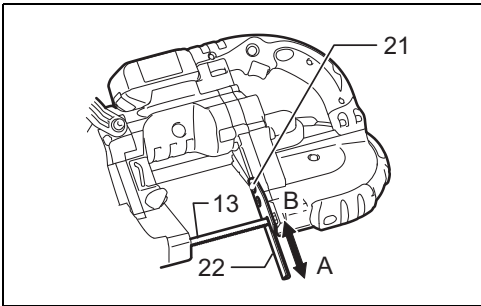
8

006193



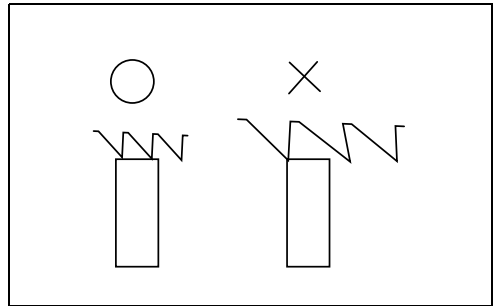
9

015673



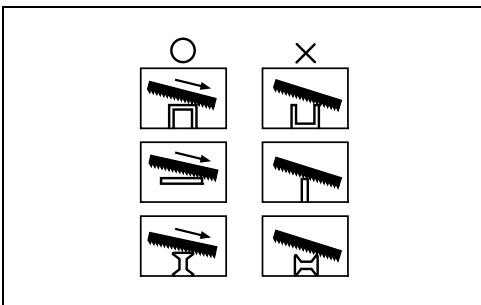
10

007151



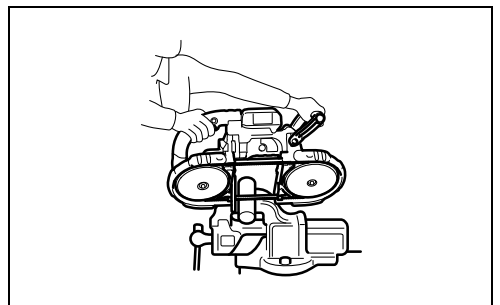
11

007316



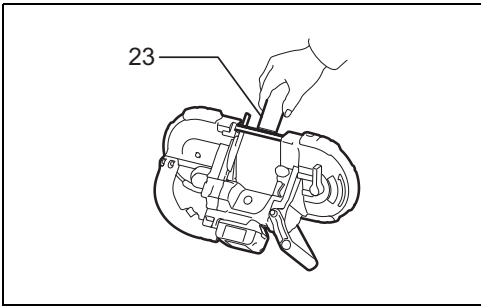
12

004747



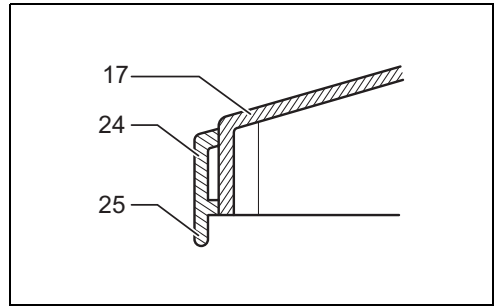
13

007301



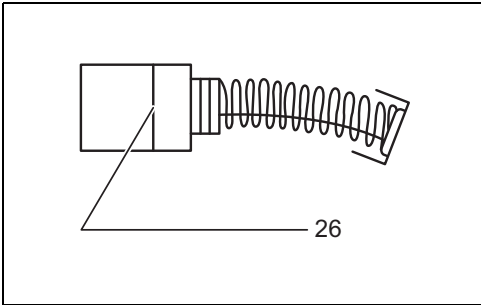
14

007298



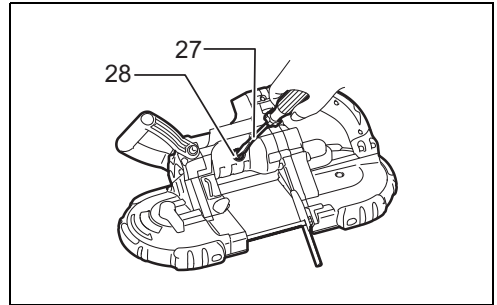
15

004750



16

001145



17

007302

ENGLISH (Original instructions)

Explanation of general view

1. Battery cartridge	11. Protrusion	21. Screw
2. Button	12. Lever	22. Stopper plate
3. Red indicator	13. Blade	23. Cutting wax
4. Star marking	14. Bearing	24. Tire
5. Lock-off button	15. Upper holder	25. Lip
6. Switch trigger	16. Lower holder	26. Limit mark
7. Speed adjusting dial	17. Wheel	27. Screwdriver
8. Lamp	18. Press	28. Brush holder cap
9. Tighten	19. Blade guide	
10. Loosen	20. Groove	

SPECIFICATIONS

Model		DPB180
Max. cutting capacity	Round workpiece	120 mm dia.
	Rectangular workpiece	120 mm x 120 mm
Blade speed		1.4 - 2.7 m/s
Blade size	Length	1,140 mm
	Width	13 mm
	Thickness	0.5 mm
Overall dimensions (L x W x H)		523 mm x 231 mm x 313 mm
Net weight		6.5 kg
Rated voltage		D.C. 18 V

- Due to our continuing program of research and development, the specifications herein are subject to change without notice.
- Specifications and battery cartridge may differ from country to country.
- Weight, with battery cartridge, according to EPTA-Procedure 01/2003

Symbols

END004-6

The following show the symbols used for the equipment.
Be sure that you understand their meaning before use.



..... Read instruction manual.

Intended use

ENE009-1

The tool is intended for cutting in wood, plastic and ferrous materials.

General Power Tool Safety Warnings

GEA006-2

⚠ WARNING Read all safety warnings and all instructions. Failure to follow the warnings and instructions may result in electric shock, fire and/or serious injury.

Save all warnings and instructions for future reference.

The term "power tool" in the warnings refers to your mains-operated (corded) power tool or battery-operated (cordless) power tool.

Work area safety

1. **Keep work area clean and well lit.** Cluttered or dark areas invite accidents.

2. **Do not operate power tools in explosive atmospheres, such as in the presence of flammable liquids, gases or dust.** Power tools create sparks which may ignite the dust or fumes.
3. **Keep children and bystanders away while operating a power tool.** Distractions can cause you to lose control.

Electrical safety

4. **Power tool plugs must match the outlet. Never modify the plug in any way. Do not use any adapter plugs with earthed (grounded) power tools.** Unmodified plugs and matching outlets will reduce risk of electric shock.
5. **Avoid body contact with earthed or grounded surfaces such as pipes, radiators, ranges and refrigerators.** There is an increased risk of electric shock if your body is earthed or grounded.
6. **Do not expose power tools to rain or wet conditions.** Water entering a power tool will increase the risk of electric shock.
7. **Do not abuse the cord. Never use the cord for carrying, pulling or unplugging the power tool. Keep cord away from heat, oil, sharp edges or moving parts.** Damaged or entangled cords increase the risk of electric shock.
8. **When operating a power tool outdoors, use an extension cord suitable for outdoor use.** Use of a

cord suitable for outdoor use reduces the risk of electric shock.

9. **If operating a power tool in a damp location is unavoidable, use a ground fault circuit interrupter (GFCI) protected supply.** Use of an GFCI reduces the risk of electric shock.

Personal safety

10. **Stay alert, watch what you are doing and use common sense when operating a power tool. Do not use a power tool while you are tired or under the influence of drugs, alcohol or medication.** A moment of inattention while operating power tools may result in serious personal injury.
11. **Use personal protective equipment. Always wear eye protection.** Protective equipment such as dust mask, non-skid safety shoes, hard hat, or hearing protection used for appropriate conditions will reduce personal injuries.
12. **Prevent unintentional starting. Ensure the switch is in the off-position before connecting to power source and/or battery pack, picking up or carrying the tool.** Carrying power tools with your finger on the switch or energising power tools that have the switch on invites accidents.
13. **Remove any adjusting key or wrench before turning the power tool on.** A wrench or a key left attached to a rotating part of the power tool may result in personal injury.
14. **Do not overreach. Keep proper footing and balance at all times.** This enables better control of the power tool in unexpected situations.
15. **Dress properly. Do not wear loose clothing or jewellery. Keep your hair, clothing, and gloves away from moving parts.** Loose clothes, jewellery or long hair can be caught in moving parts.
16. **If devices are provided for the connection of dust extraction and collection facilities, ensure these are connected and properly used.** Use of dust collection can reduce dust-related hazards.

Power tool use and care

17. **Do not force the power tool. Use the correct power tool for your application.** The correct power tool will do the job better and safer at the rate for which it was designed.
18. **Do not use the power tool if the switch does not turn it on and off.** Any power tool that cannot be controlled with the switch is dangerous and must be repaired.
19. **Disconnect the plug from the power source and/or the battery pack from the power tool before making any adjustments, changing accessories, or storing power tools.** Such preventive safety measures reduce the risk of starting the power tool accidentally.
20. **Store idle power tools out of the reach of children and do not allow persons unfamiliar with the power tool or these instructions to operate the power tool.** Power tools are dangerous in the hands of untrained users.

21. **Maintain power tools. Check for misalignment or binding of moving parts, breakage of parts and any other condition that may affect the power tool's operation. If damaged, have the power tool repaired before use.** Many accidents are caused by poorly maintained power tools.
22. **Keep cutting tools sharp and clean.** Properly maintained cutting tools with sharp cutting edges are less likely to bind and are easier to control.
23. **Use the power tool, accessories and tool bits etc. in accordance with these instructions, taking into account the working conditions and the work to be performed.** Use of the power tool for operations different from those intended could result in a hazardous situation.

Battery tool use and care

24. **Recharge only with the charger specified by the manufacturer.** A charger that is suitable for one type of battery pack may create a risk of fire when used with another battery pack.
25. **Use power tools only with specifically designated battery packs.** Use of any other battery packs may create a risk of injury and fire.
26. **When battery pack is not in use, keep it away from other metal objects, like paper clips, coins, keys, nails, screws or other small metal objects, that can make a connection from one terminal to another.** Shorting the battery terminals together may cause burns or a fire.
27. **Under abusive conditions, liquid may be ejected from the battery; avoid contact. If contact accidentally occurs, flush with water. If liquid contacts eyes, additionally seek medical help.** Liquid ejected from the battery may cause irritation or burns.

Service

28. **Have your power tool serviced by a qualified repair person using only identical replacement parts.** This will ensure that the safety of the power tool is maintained.
29. **Follow instruction for lubricating and changing accessories.**
30. **Keep handles dry, clean and free from oil and grease.**

CORDLESS PORTABLE BAND SAW SAFETY WARNINGS

GEB065-2

1. **Hold power tool by insulated gripping surfaces, when performing an operation where the cutting accessory may contact hidden wiring.** Cutting accessories contacting a "live" wire may make exposed metal parts of the power tool "live" and could give the operator an electric shock.
2. **Use only blades which are listed in "SPECIFICATIONS".**
3. **Check the blade carefully for cracks or damage before operation. Replace cracked or damaged blade immediately.**

4. Secure the workpiece firmly. When cutting a bundle of workpieces, be sure that all workpieces are secured together firmly before cutting.
5. Cutting workpieces covered with oil can cause the blade to come off unexpectedly. Wipe off all excess oil from workpieces before cutting.
6. Never use the cutting oil as a cutting lubricant. Use only Makita cutting wax.
7. Do not wear gloves during operation.
8. Hold the tool firmly with both hands.
9. Keep hands away from rotating parts.
10. When cutting metal, be cautious of hot flying chips.
11. Do not leave the tool running unattended.
12. Do not touch the blade or the workpiece immediately after operation; they may be extremely hot and could burn your skin.

SAVE THESE INSTRUCTIONS.

WARNING:

DO NOT let comfort or familiarity with product (gained from repeated use) replace strict adherence to safety rules for the subject product. MISUSE or failure to follow the safety rules stated in this instruction manual may cause serious personal injury.

IMPORTANT SAFETY INSTRUCTIONS

ENC007-9

FOR BATTERY CARTRIDGE

1. Before using battery cartridge, read all instructions and cautionary markings on (1) battery charger, (2) battery, and (3) product using battery.
2. Do not disassemble battery cartridge.
3. If operating time has become excessively shorter, stop operating immediately. It may result in a risk of overheating, possible burns and even an explosion.
4. If electrolyte gets into your eyes, rinse them out with clear water and seek medical attention right away. It may result in loss of your eyesight.
5. Do not short the battery cartridge:
 - (1) Do not touch the terminals with any conductive material.
 - (2) Avoid storing battery cartridge in a container with other metal objects such as nails, coins, etc.
 - (3) Do not expose battery cartridge to water or rain.

A battery short can cause a large current flow, overheating, possible burns and even a breakdown.

6. Do not store the tool and battery cartridge in locations where the temperature may reach or exceed 50°C (122°F).
7. Do not incinerate the battery cartridge even if it is severely damaged or is completely worn out. The battery cartridge can explode in a fire.
8. Be careful not to drop or strike battery.
9. Do not use a damaged battery.

10. Follow your local regulations relating to disposal of battery.

SAVE THESE INSTRUCTIONS.

Tips for maintaining maximum battery life

1. Charge the battery cartridge before completely discharged.
Always stop tool operation and charge the battery cartridge when you notice less tool power.
2. Never recharge a fully charged battery cartridge. Overcharging shortens the battery service life.
3. Charge the battery cartridge with room temperature at 10°C - 40°C (50°F - 104°F). Let a hot battery cartridge cool down before charging it.
4. Charge the battery cartridge if you do not use it for a long period (more than six months).

FUNCTIONAL DESCRIPTION

CAUTION:

- Always be sure that the tool is switched off and the battery cartridge is removed before adjusting or checking function on the tool.

Installing or removing battery cartridge (Fig. 1)

CAUTION:

- Always switch off the tool before installing or removing of the battery cartridge.
- Hold the tool and the battery cartridge firmly when installing or removing battery cartridge. Failure to hold the tool and the battery cartridge firmly may cause them to slip off your hands and result in damage to the tool and battery cartridge and a personal injury.

To remove the battery cartridge, slide it from the tool while sliding the button on the front of the cartridge.

To install the battery cartridge, align the tongue on the battery cartridge with the groove in the housing and slip it into place. Insert it all the way until it locks in place with a little click. If you can see the red indicator on the upper side of the button, it is not locked completely.

CAUTION:

- Always install the battery cartridge fully until the red indicator cannot be seen. If not, it may accidentally fall out of the tool, causing injury to you or someone around you.
- Do not install the battery cartridge forcibly. If the cartridge does not slide in easily, it is not being inserted correctly.

Battery protection system (Lithium-ion battery with star marking) (Fig. 2)

Lithium-ion batteries with a star marking are equipped with a protection system. This system automatically cuts off power to the tool to extend battery life.

The tool will automatically stop during operation if the tool and/or battery are placed under one of the following conditions:

- Overloaded:

The tool is operated in a manner that causes it to draw an abnormally high current.

In this situation, release the switch trigger on the tool and stop the application that caused the tool to become overloaded. Then pull the switch trigger again to restart.

If the tool does not start, the battery is overheated. In this situation, let the battery cool before pulling the switch trigger again.

- Low battery voltage:
The remaining battery capacity is too low and the tool will not operate. In this situation, remove and recharge the battery.

Switch action (Fig. 3)

CAUTION:

- Before inserting the battery cartridge into the tool, always check to see that the switch trigger actuates properly and returns to the "OFF" position when released.

To prevent the switch trigger from accidentally pulled, the lock-off button is provided.

To start the tool, depress the lock-off button from B side and pull the switch trigger.

Release the switch trigger to stop. After use, always press in the lock-off button from A side.

Speed adjusting dial (Fig. 4)

The tool speed can be infinitely adjusted between 1.4 m/s and 2.7 m/s by turning the adjusting dial. Higher speed is obtained when the dial is turned in the direction of number 6; lower speed is obtained when it is turned in the direction of number 1.

Select the proper speed for the workpiece to be cut.

CAUTION:

- The speed adjusting dial can be turned only as far as 6 and back to 1. Do not force it past 6 or 1, or the speed adjusting function may no longer work.

Lighting up the lamp (Fig. 5)

CAUTION:

- Do not apply impact to the lamp, which may cause damage or shorted service time to it.

Pull the switch trigger to light up the lamp. The lamp keeps on lighting while the switch trigger is being pulled. The lamp goes out 10 - 15 seconds after releasing the trigger.

NOTE:

- Use a dry cloth to wipe the dirt off the lens of lamp. Be careful not to scratch the lens of lamp, or it may lower the illumination.
- Do not use thinner or gasoline to clean the lamp. Such solvents may damage it.
- When the tool is overloaded during operation, the lamp flickers.
- When the remaining battery capacity becomes small, the lamp flickers.

ASSEMBLY

CAUTION:

- Always be sure that the tool is switched off and the battery cartridge is removed before carrying out any work on the tool.

Installing or removing the blade

CAUTION:

- Oil on the blade can cause the blade to slip or come off unexpectedly. Wipe off all excess oil with a cloth before installing the blade.
- Use caution when handling the blade so that you are not cut by the sharp edge of the blade teeth.

Turn the blade tightening lever clockwise until it hits against the protrusion on the frame. (Fig. 6)

Match the direction of the arrow on the blade to that of the arrow on the wheels. (Fig. 7)

Insert the blade between the bearings of the upper holder first and then into the lower holder. The blade back should contact the bearings in the lower portion of the upper holder and lower holder.

Position the blade around the wheels and insert the other side of the blade within the upper holder and lower holder until the blade back contacts the bottom of the upper holder and lower holder. (Fig. 8 & 9)

Put the blade into the groove in the blade guide.

Hold the blade in place and turn the blade-tightening lever counterclockwise until it hits against the protrusion on the frame. This places proper tension on the blade. Make sure that the blade is correctly positioned within the blade guard and around the wheels.

Start and stop the tool two or three times to make sure that the blade runs properly on the wheels.

CAUTION:

- While making sure that the blade runs on the wheels properly, keep your body away from the blade area.

To remove the blade, follow the installation procedure in reverse.

CAUTION:

- When turning the blade tightening lever clockwise to release the tension on the blade, point the tool downward because the blade may come off unexpectedly.

Adjusting the protrusion of stopper plate (Fig. 10)

In the ordinary operation, protrude the stopper plate to the A side fully. When the stopper plate strikes against the obstacles like a wall or the like at the finishing of a cut, loosen two screws and slide it to the B side in the figure. After sliding the stopper plate, secure it by tightening two screws firmly.

OPERATION

It is important to keep at least two teeth in the cut.

(Fig. 11)

Select the proper cutting position for your workpiece by referring to the figure. (Fig. 12)

Hold the tool by both hands as shown in the figure with the stopper plate contacting the workpiece and the blade clear of the workpiece. (Fig. 13)

Turn the tool on and wait until the blade attains full speed. Gently lower the blade into the cut. The weight of the tool or slightly pressing the tool will supply adequate pressure for the cutting. Do not force the tool.

As you reach the end of a cut, release pressure and, without actually raising the tool, lift it slightly so that it will not fall against the workpiece.

⚠ CAUTION:

- Applying excessive pressure to the tool or twisting of the blade may cause bevel cutting or damage to the blade.
- When not using the tool for a long period of time, remove the blade from the tool.
- If the tool is operated continuously until the battery cartridge has discharged, allow the tool to rest for 15 minutes before proceeding with a fresh battery.

Cutting lubricant

When cutting metals, use Makita cutting wax as a cutting lubricant. To apply the cutting wax to the blade teeth, start the tool and cut in to the cutting wax as shown in the figure after removing a cap of the cutting wax. (Fig. 14)

⚠ CAUTION:

- Never use cutting oil or apply excessive amount of wax to the blade. It may cause the blade to slip or come off unexpectedly.
- When cutting cast iron, do not use any cutting wax.

MAINTENANCE

⚠ CAUTION:

- Always be sure that the tool is switched off and the battery cartridge is removed before attempting to perform inspection or maintenance.
- Never use gasoline, benzine, thinner, alcohol or the like. Discoloration, deformation or cracks may result.

Cleaning

After use, remove wax, chips and dust from the tool, wheel tires and blade.

⚠ CAUTION:

- Never use solvents such as turpentine, gasoline, lacquer, etc. to clean plastic parts.
- Wax and chips on the tires may cause the blade to slip and come off unexpectedly. Use a dry cloth to remove wax and chips from the tires.

Replacing tires on wheels (Fig. 15)

When the blade slips or does not track properly because of badly worn tires, or the lip of the tire on motor side gets damaged, the tires should be replaced.

Replacing carbon brushes (Fig. 16)

Remove and check the carbon brushes regularly. Replace when they wear down to the limit mark. Keep the carbon brushes clean and free to slip in the holders.

Both carbon brushes should be replaced at the same time. Use only identical carbon brushes.

Use a screwdriver to remove the brush holder caps. Take out the worn carbon brushes, insert the new ones and secure the brush holder caps. (Fig. 17)

To maintain product SAFETY and RELIABILITY, repairs, any other maintenance or adjustment should be performed by Makita Authorized Service Centers, always using Makita replacement parts.

OPTIONAL ACCESSORIES

⚠ CAUTION:

- These accessories or attachments are recommended for use with your Makita tool specified in this manual. The use of any other accessories or attachments might present a risk of injury to persons. Only use accessory or attachment for its stated purpose.

If you need any assistance for more details regarding these accessories, ask your local Makita Service Center.

- Band saw blades
- Hex wrench 4
- Cutting wax
- Makita genuine battery and charger

NOTE:

- Some items in the list may be included in the tool package as standard accessories. They may differ from country to country.

总图说明

- | | | |
|-----------|-----------|------------|
| 1. 电池套管 | 11. 凸起 | 21. 螺钉 |
| 2. 按钮 | 12. 杆 | 22. 止动板 |
| 3. 红色指示灯 | 13. 刀片 | 23. 切割蜡 |
| 4. 启动标记 | 14. 轴承 | 24. 轮胎 |
| 5. 锁定关按钮 | 15. 上部固定器 | 25. 唇口 |
| 6. 开关扳机 | 16. 下部固定器 | 26. 限位标记 |
| 7. 速度调节转盘 | 17. 切割轮 | 27. 螺丝刀 |
| 8. 灯 | 18. 按 | 28. 碳刷固定器盖 |
| 9. 拧紧 | 19. 刀轨 | |
| 10. 拧松 | 20. 凹槽 | |


规格

型号		DPB180
最大切割能力	圆形工件	120 mm 直径
	矩形工件	120 mm x 120 mm
带锯速度		1.4 - 2.7 m/s
刀片大小	长度	1,140 mm
	宽度	13 mm
	厚度	0.5 mm
总尺寸（长 x 宽 x 高）		523 mm x 231 mm x 313 mm
净重		6.5 kg
额定电压		D.C. 18 V

- 鉴于我司将持续实施研发计划，此处规格如有变更，恕不另行通知。
- 本产品在各个国家的规格和电池套管可能有所不同。
- 本产品（带电池套管）的重量符合 EPTA-01/2003 规程的标准

符号 END004-6

下列所示为用于设备的符号。请确保在使用前理解各个符号的含义。

 请阅读操作手册。

设计用途 ENE009-1

该工具设计用于锯切木材、塑料和黑色金属材料。

电动工具一般安全警告 GEA006-2

警告 请仔细阅读所有的安全警告和操作指示。违反这些警告和指示可能导致触电、火灾和 / 或严重的人身伤害事故。

请妥善保存所有的警告和操作指示以备日后参考。

在该警告中的“电动工具”是指电网电源供电（接电源线）的电动工具或电池驱动（充电式）电动工具。

工作区域安全

1. 保持工作区域干净，照明良好。杂乱或黑暗的工作场所容易引发事故。
2. 不得在有爆炸性危险的环境（如存在易燃液体、气体和粉尘）中使用电动工具。操作电动工具时会产生火花，而这可能引燃粉尘或烟雾。

3. 操作电动工具时，请让儿童和旁观者远离工作区域。注意力分散可能导致操作失控。

电气安全

4. 电动工具的插头必须与插座相匹配。切勿以任何方式对插头进行改装。转接插头不得和接了地线的电动工具一起使用。未经改动的插头和相匹配的插座有利于减少电击危险。
5. 避免身体与接地的物体接触，如水管、散热器、电炉和电冰箱等。如果您的身体接地了，会增加电击的危险。
6. 不得将电动工具暴露在雨中或湿的环境中。如果有水进入电动工具将增加电击的危险。
7. 请勿不当使用电线。切勿用导线拖携工具或拔下电动工具的插头。将电线保存在远离高温、油垢、锐边或移动部件之处。损坏或缠绕的电线会增加电击危险。
8. 当在户外操作电动工具时，只能使用合适的户外专用延长电线。使用合适的户外专用电线将减少电击危险。
9. 如果不能避免在潮湿的环境中使用电动工具，请使用随供的漏电保护器（GFCI）。使用 GFCI 可减少电击危险。

人身安全

10. 操作电动工具时请保持警惕，注意您的操作并运用常识。疲惫、喝酒或服用毒品、药物之后，切勿操作电动工具。使用电动工具时只要稍微分心便可能导致严重的人身伤害事故。
11. 请使用个人劳防用品。总是佩戴护目镜。根据使用情况穿戴合适的防护装备，例如防尘面罩、止滑工作鞋、安全帽或耳罩，可降低人身伤害事故发生的几率。
12. 防止意外启动。在连接电源和 / 或电池组、拿起或搬运工具之前，请确保开关处于关闭位置。如果在提携电动工具时，您的手指触碰了开关，或连接电源时，开关仍然处于启动位置，都可能引发意外事故。

13. 电动工具开机前，除去任何调节工具或扳手。电动工具的旋转部件上如果还插有扳手或调节工具可能会导致人身伤害。
14. 避免错误的持机姿势。务必站稳并始终保持平衡。正确的操作姿势能够帮助您在突发状况下及时控制住电动工具。
15. 合理着装。请勿穿戴宽松的衣服或佩戴首饰。保持头发、衣服、手套等远离移动机件。宽松的衣服、首饰或长头发可能会被卡入移动机件中。
16. 如果能够在设备上安装除尘或集尘装置，确保这些装置已经安装并被正确使用。使用集尘装置可减少尘屑相关的危害。

电动工具使用和保养

17. 不要滥用电动工具。根据应用情况选择适合的电动工具。正确地选用电动工具可以在规定的功率范围中，更有效率更安全的操作机器。
18. 不要使用开关故障的电动工具。如果无法正常操控起停开关，极易在操作机器时产生意外，必须进行修理。
19. 在调整机器设置、更换配件或存放电动工具前，必须先断开插头与电源的连接和 / 从电动工具中取出电池组。这些预防性的安全措施能减少意外启动电动工具的危险。
20. 将不用的电动工具保存在儿童接触不到的地方。禁止不熟悉电动工具或这些操作说明的人员使用电动工具。未经训练的人员操作电动工具是危险的行为。
21. 保养电动工具。检查运动部件是否有偏差或粘连，部件是否破损，以及其它可能会影响工具运行的情况。如有损坏，使用前需修理完毕。很多事故都是由于没有对电动工具进行很好维护造成的。
22. 切割工具必须保持锋利和清洁。经过细心保养且刀刃锋利的切割工具不易被夹住，并较容易操作。
23. 使用电动工具、配件和刀头等时应考虑工作条件和要进行工作的性质，遵循相应的操作指示。将电动工具用于既定用途以外的目的时，可能会导致危险。

电池工具使用和保养

24. 仅使用制造商指定的充电器进行充电。
适用于一种类型电池组的充电器如果用于其他电池组可能会引起火灾危险。
25. 使用电动工具时仅使用指定的电池组。
使用任何其他电池组可能会引起人身伤害或火灾危险。
26. 当电池组未用时，请将其保存在远离金属物品之处，如回形针、硬币、钥匙、钉子、螺丝或其他小金属物体等。这些物体可能会将电池的两个端子连在一起。短接电池端子可能会引起爆炸或火灾。
27. 如果使用不当可能从电池渗出液体。避免接触此类流动物体。如果意外接触到电池漏液，请用水冲洗。如果上述液体侵入眼睛必须即刻就医。从电池流出的液体会刺激或灼伤皮肤。

维修

28. 电动工具只能由有相关资质的维修人员进行修理，修理时只能使用原厂零配件。唯有如此才能确保电动工具的安全性。
29. 按照要求对配件进行润滑和更换。
30. 保持手柄干燥、清洁，避免油、脂污染。

充电式轻便带锯安全警告

GEB065-2

1. 在切割配件可能接触隐藏线路的地方进行操作时，仅通过绝缘的夹持表面固定电动工具。切割配件接触“带电”的电线可能使电动工具暴露的金属部件“带电”，并且可能给操作者造成电击。
2. 仅使用“规格”中列出的刀片。
3. 操作前仔细检查刀片有无裂纹或损坏。应立即更换有裂纹或损坏的刀片。
4. 牢牢固定工件。切割一捆工件时，请确保在切割前将所有工件牢固地固定在一起。
5. 切割有油的工件可能导致刀片意外脱落。切割前擦去工件上的所有多余油脂。
6. 切勿使用切削油作为切削润滑剂。仅使用牧田切割蜡。
7. 操作时请勿戴手套。

8. 要用双手握紧工具。
9. 请让双手远离旋转部件。
10. 切割金属时，小心飞溅的高温碎屑。
11. 不可让工具在无人时运行。
12. 在操作结束之后不要马上触摸刀片或工件；因为它们可能温度极高，从而会灼伤皮肤。

请保留此说明书。

⚠ 警告：

不要因为舒适或对产品熟悉（因重复使用而获得）而不严格遵守产品的安全准则。工具使用不当或未遵守本说明书所列的安全规则可能导致严重的人身伤害。

重要安全指导

ENC007-9

电池套管

1. 使用电池套管前，请阅读（1）电池充电器、（2）电池和（3）使用电池之产品上的所有指导说明和警戒标记。
2. 请勿拆开电池套管。
3. 如果操作时间变得过短，立即停止操作。其可能导致过热、造成灼伤，甚至爆炸的危险。
4. 如果电解液进入您的双眼，用清水冲洗，并立即就医。其可能导致您的视力下降。
5. 请勿短接电池套管。
 - （1）请勿使用任何导电材料接触端子。
 - （2）避免在装有其它金属物体的容器内存放电池套管，例如钉子、硬币等。
 - （3）不要将电池套管暴露在水或雨中。电池短路可能导致过大的电流、过热，可能造成灼伤，甚至发生故障。
6. 请勿将工具和电池套管存放于温度可能达到或超过 50°C (122°F) 的位置。
7. 即使电池套管严重损坏或完全磨损，也不要烧弃之。电池套管在火中可能爆炸。
8. 请小心，不要掉落或撞击电池。
9. 不要使用损坏的电池。
10. 请遵守当地关于电池处置的规定。

请保留此说明书。

保持电池最大寿命的提示

1. 在电池套管完全放电前，进行充电。
在您注意到工具功率下降时，务必停止操作工具，并给电池套管充电。
2. 切勿重新给完全充电的电池套管再次充电。
过度充电会缩短电池使用寿命。
3. 在 10°C - 40°C (50°F - 104°F) 的室温给电池套管充电。充电前，让灼热的电池套管冷却下来。
4. 如果长期不使用（超过六个月），请充放电电池套管。

功能说明

⚠ 注意：

- 在工具上调整和检查功能前，务必关闭工具开关和电池套管。

安装或拆卸电池套管（图 1）

⚠ 注意：

- 安装或拆卸电池套管前，务必关闭工具的开关。
- 安装或拆卸电池套管时牢牢握住工具和电池套管。未能牢牢握住工具和电池套管可能导致它们从手中滑出，损坏工具和电池套管及造成人员受伤。

取出电池套管时，滑动电池套管前面的按钮，将其从工具中滑出。

安装电池套管时，将电池套管上的凸榫对准外壳上的沟槽，并将其滑入到位。一直插入，直到其锁定在位，这时候会听到微弱的“咔哒”声。如果能看到按钮上侧的红色指示灯，则表示没有完全锁紧。

⚠ 注意：

- 务必装好电池套管，直到不能看到红色指示灯。否则，其可能意外从工具中掉出，导致您或您周围的人员受到伤害。
- 请勿用力安装电池套管。如果电池套管没有轻松地滑入，表明其可能没有正确插入。

电池保护系统（带星号标记的锂离子电子）（图 2）

带星号标记的锂离子电池配有保护系统。该系统自动切断到工具的电源，延长电池寿命。如果工具和 / 或电池处于以下状况之一，工具将在运行期间自动停止：

• 过载：

该工具的操作方式使其产生异常高的电流。

在这种情况下，释放工具上的开关扳机并停止导致工具过载的应用。然后再次拉起开关扳机以重新启动。

如果工具未启动，则电池过热。在这种情况下，在再次拉动开关扳机之前让电池冷却。

• 电池电压低：

剩余电池容量太低，工具无法运行。在这种情况下，请取出电池并重新充电。

开关操作（图 3）

⚠ 注意：

- 将电池套管插入工具前，务必检查确定开关触发器正常开动，并在释放时，返回到“OFF”（关）位置。

为防止意外拉开关扳机，提供锁定关按钮。

如要启动工具，从 B 侧松开锁定关按钮，拉开关扳机。

释放开关扳机以停止。使用后，务必从 A 侧按下锁定关按钮。

速度调节转盘（图 4）

通过转动调节转盘，可以在 1.4 m/s 和 2.7 m/s 之间无级调节刀具速度。当转盘朝数字 6 的方向转动时，获得更高的速度；当朝数字 1 的方向转动时，获得较低的速度。选择适合切割工件的速度。

⚠ 注意：

- 速度调节转盘只能转到 6 并返回 1。请勿强行超过 6 或 1，否则速度调节功能可能不再起作用。

点亮灯泡（图 5）

⚠ 注意：

- 请勿撞击灯泡，否则可能会造成损坏或缩短维修时间。

拉起开关扳机以点亮灯泡。拉起开关扳机时，灯会一直亮着。松开扳机 10-15 秒后，灯泡熄灭。

注：

- 用干布擦去灯泡上的污垢。小心不要划伤灯泡，否则可能会降低照明。
- 不要使用稀释剂或汽油来清洁灯泡。这些溶剂可能会损坏它。
- 当工具在操作过程中过载时，指示灯会闪烁。
- 当剩余电池容量变小时，灯泡闪烁。

组装

⚠ 注意：

- 在工具上执行任何工作前，务必关闭工具开关并取下电池套管。

安装或拆除刀片

⚠ 注意：

- 刀片上的机油可能导致刀片意外滑动或脱落。在安装刀片之前，用布擦去所有多余的机油。
- 处理刀片时要小心，这样刀片齿的锋利边缘就不会切割。

顺时针转动刀片拧紧杆，直至其碰到框架上的突出部分。（图 6）

使刀片上的箭头方向与轮子上的箭头方向相匹配。（图 7）

首先将刀片插入上部固定器的轴承之间，然后插入下部固定器。刀背应与上部固定器的下部 and 下部固定器的轴承接触。

将刀片放在轮子周围，将刀片的另一侧插入上部固定器和下部固定器，直到刀背接触上部固定器和下部固定器的底部。（图 8 和 9）

将刀片放入刀片导向器的凹槽中。

将刀片固定到位并逆时针转动刀片拧紧杆，直至其碰到框架上的突出部分。这会在刀片上施加适当的张力。确保刀片正确定位在刀片防护罩内和轮子周围。

启动和停止工具两到三次，以确保刀片在轮子上正常运行。

⚠ 注意：

- 确保刀片在轮子上正确运行时，请保持身体远离刀片区域。
- 如要拆下刀片，请按安装的相反顺序执行。

⚠ 注意：

- 顺时针转动刀片拧紧杆以释放刀片上的张力时，请将工具向下指，因为刀片可能意外脱落。

调整止动板的突出部分（图 10）

在通常的操作中，将止动板完全伸出到 A 侧。止动板在切割完成时如果撞击到障碍物（如墙壁等），松开两个螺钉并将其滑动到图中的 B 侧。滑动止动板后，拧紧两个螺钉将其固定。

操作

保持至少有两个齿在切面上是非常重要的。

（图 11）

选择工件的正确切割位置，参考图片。

（图 12）

如图所示，双手握住工具，止动板接触工件，刀片离开工件。（图 13）

打开工具电源，等待直到锯片达到全速。

稍稍降低锯片到切面上。通过工具的重量或轻轻按下工具将提供足够的切割压力。不要强行使用该工具。

当您到达切口的末端时，释放压力，并且在实际抬起工具的情况下，稍微抬起它，使其不会落在工件上。

⚠ 注意：

- 在工具上施加过大的压力或扭曲锯片可能引起斜切或损坏锯片。
- 长期不使用工具时，将锯片从工具上拆下。
- 如果连续操作工具，直到电池套管放电，使用新的电池继续操作前，让工具休息 15 分钟。

切削润滑剂

切割金属时，请使用牧田切割蜡作为切削润滑剂。为了将切割蜡涂在刀片齿上，请在取下切割蜡盖后，启动工具并切入切割蜡，如图所示。（图 14）

⚠ 注意:

- 切勿使用切削油或在刀片上涂抹过量的蜡。它可能导致刀片意外滑动或脱落。
- 切割铸铁时，请勿使用任何切割蜡。

维护

⚠ 注意:

- 尝试进行检查或维护前，务必关闭工具开关，并拆下电池套管。
- 不得使用汽油、苯、稀释剂、酒精或其它类似产品。否则可能出现退色、变形或裂缝。

清理

使用后，清除工具、轮胎和刀片上的蜡、碎屑和灰尘。

⚠ 注意:

- 切勿使用松节油、汽油、清漆等溶剂清洁塑料部件。
- 轮胎上的蜡和碎屑可能导致刀片滑动并意外脱落。用干布擦去轮胎上的蜡和碎屑。

更换轮子上的轮胎（图 15）

当刀片因轮胎严重磨损而滑动或不能正确跟踪，或者电机侧轮胎的唇部受损时，应更换轮胎。

更换碳刷（图 16）

定期拆下并检查碳刷。当碳刷磨损至限位标记时更换。保持碳刷清洁，能在固定器中自由滑动。

两个碳刷应同时更换。仅使用相同的碳刷。使用螺丝刀拆下碳刷固定器盖。取出磨损的碳刷，插入新碳刷，拧紧碳刷固定器盖。

（图 17）

为了保持产品的安全和可靠性，维修或其它任何维护和调整工作应当由牧田授权维修中心进行，且务必使用牧田的替换零件。

选配附件

⚠ 注意:

- 这些配件或附件建议用于本手册指定的牧田工具。使用任何其它配件或附件可能有

造成人身伤害的危险。配件或附件仅可用于指明的目的。

如果您需要有关这些配件的更多详细信息或需要帮助，请与当地的牧田维修中心联系。

- 带锯刀片
- 六角扳手 4
- 切割蜡
- 牧田正品电池或充电器

注:

- 列表中的某些物品可能已经作为标准附件包括在了工具包装中。它们可能在不同国家各异。

BAHASA INDONESIA (Petunjuk asli)

Penjelasan tampilan keseluruhan

1. Kartrid baterai	11. Tonjolan	21. Sekrup
2. Tombol	12. Tuas	22. Pelat penghenti
3. Indikator merah	13. Bilah gergaji	23. Lilin pelumas pemotongan
4. Tanda gambar bintang	14. Bantalan	24. Ban
5. Tombol kunci-mati	15. Penahan atas	25. Bibir
6. Picu sakelar	16. Penahan bawah	26. Garis batas
7. Tombol-putar penyetel kecepatan	17. Roda	27. Obeng
8. Lampu	18. Tekan	28. Tutup borstel arang
9. Kencangkan	19. Pemandu bilah	
10. Kendurkan	20. Alur	

SPESIFIKASI

Model		DPB180
Kemampuan pemotongan maks.	Benda kerja bundar	120 mm dia.
	Benda kerja persegi	120 mm x 120 mm
Kecepatan bilah		1,4 - 2,7 m/det
Ukuran bilah	Panjang	1.140 mm
	Lebar	13 mm
	Ketebalan	0,5 mm
Dimensi keseluruhan (P x L x T)		523 mm x 231 mm x 313 mm
Berat bersih		6,5 kg
Tegangan yang sesuai		D.C. 18 V

- Karena kesinambungan program penelitian dan pengembangan kami, spesifikasi yang disebutkan di sini dapat berubah tanpa pemberitahuan.
- Spesifikasi dan kartrid baterai dapat berbeda dari satu negara ke negara lainnya.
- Berat, dengan kartrid baterai, menurut Prosedur EPTA 01/2003

Simbol-simbol

END004-6

Berikut ini adalah simbol-simbol yang digunakan pada alat ini. Pastikan Anda mengerti makna masing-masing simbol sebelum menggunakan mesin ini.



..... Baca petunjuk penggunaan.

Maksud penggunaan

ENE009-1

Mesin ini dimaksudkan untuk memotong kayu, plastik, dan bahan mengandung besi.

Peringatan Keselamatan Umum Mesin Listrik

GEA006-2

⚠ PERINGATAN Bacalah semua peringatan keselamatan dan semua petunjuk. Kelalaian mematuhi peringatan dan petunjuk dapat menyebabkan sengatan listrik, kebakaran, dan/atau cedera serius.

Simpanlah semua peringatan dan petunjuk untuk acuan di masa mendatang.

Istilah "mesin listrik" dalam semua peringatan mengacu pada mesin listrik yang dijalankan dengan sumber listrik jala-jala (berkabel) atau baterai (nirkabel).

Keselamatan tempat kerja

1. **Jagalah tempat kerja selalu bersih dan berpenerangan cukup.** Tempat yang berantakan atau gelap mengundang kecelakaan.
2. **Jangan mengoperasikan mesin listrik dalam atmosfer yang mudah meledak, seperti bila ada cairan, gas, atau debu mudah menyala.** Mesin listrik menimbulkan percikan api yang dapat menyalakan debu atau uap tersebut.
3. **Jauhkan anak-anak dan mereka yang tidak berkepentingan saat mengoperasikan mesin listrik.** Bila perhatian terpecah, Anda dapat kehilangan kendali.

Keamanan kelistrikan

4. **Steker mesin listrik harus cocok dengan stopkontak. Jangan sekali-kali mengubah steker dengan cara apa pun. Jangan menggunakan steker adaptor dengan mesin listrik berarde (dibumikan).** Steker yang tidak diubah dan stopkontak yang cocok akan mengurangi risiko sengatan listrik.
5. **Hindari sentuhan tubuh dengan permukaan berarde atau yang dibumikan seperti pipa, radiator, kompor, dan kulkas.** Risiko sengatan listrik bertambah jika tubuh Anda terbumikan atau terarde.

6. **Jangan membiarkan mesin listrik kehujaan atau kebasahan.** Air yang masuk ke dalam mesin listrik akan meningkatkan risiko sengatan listrik.
7. **Jangan menyalahgunakan kabel. Jangan sekali-kali menggunakan kabel untuk membawa, menarik, atau mencabut mesin listrik dari stopkontak. Jauhkan kabel dari panas, minyak, tepian tajam, atau komponen yang bergerak.** Kabel yang rusak atau kusut memperbesar risiko sengatan listrik.
8. **Bila menggunakan mesin listrik di luar ruangan, gunakan kabel ekstensi yang sesuai untuk penggunaan di luar ruangan.** Penggunaan kabel yang sesuai untuk penggunaan luar ruangan mengurangi risiko sengatan listrik.
9. **Jika mengoperasikan mesin listrik di lokasi lembap tidak dapat dihindari, gunakan pasokan daya yang dilindungi piranti pemutus arus kegagalan arde (ground fault circuit interrupter - GFCI).** Penggunaan GFCI mengurangi risiko sengatan listrik.

Keselamatan diri

10. **Jaga kewaspadaan, perhatikan pekerjaan Anda dan gunakan akal sehat bila menggunakan mesin listrik. Jangan menggunakan mesin listrik saat Anda lelah atau di bawah pengaruh obat bius, alkohol, atau obat.** Sekejap saja lalai saat menggunakan mesin listrik dapat menyebabkan cedera diri yang serius.
11. **Gunakan alat pelindung diri. Selalu kenakan pelindung mata.** Peralatan pelindung seperti masker debu, sepatu pengaman anti-selip, helm pengaman, atau pelindung telinga yang digunakan untuk kondisi yang sesuai akan mengurangi risiko cedera.
12. **Cegah penyalan yang tidak disengaja. Pastikan bahwa sakelar berada dalam posisi mati (off) sebelum menghubungkan mesin ke sumber daya dan/atau baterai, atau mengangkat atau membawa mesin.** Membawa mesin listrik dengan jari Anda pada sakelarnya atau mengalirkan listrik pada mesin listrik yang sakelarnya hidup (on) akan mengundang kecelakaan.
13. **Lepaskan kunci-kunci penyetel sebelum menghidupkan mesin listrik.** Kunci-kunci yang masih terpasang pada bagian mesin listrik yang berputar dapat menyebabkan cedera.
14. **Jangan meraih terlalu jauh. Pertahankan pijakan dan keseimbangan yang baik setiap saat.** Hal ini memungkinkan kendali yang lebih baik atas mesin listrik dalam situasi yang tidak diharapkan.
15. **Kenakan pakaian yang sesuai. Jangan memakai pakaian yang kedodoran atau perhiasan. Jaga jarak antara rambut, pakaian, dan sarung tangan Anda dengan bagian mesin yang bergerak.** Pakaian kedodoran, perhiasan, atau rambut panjang dapat tersangkut pada bagian yang bergerak.
16. **Jika tersedia fasilitas untuk menghisap dan mengumpulkan debu, pastikan fasilitas tersebut terhubung listrik dan digunakan dengan baik.**

Penggunaan pembersih debu dapat mengurangi bahaya yang terkait dengan debu.

Penggunaan dan pemeliharaan mesin listrik

17. **Jangan memaksa mesin listrik. Gunakan mesin listrik yang tepat untuk keperluan Anda.** Mesin listrik yang tepat akan menuntaskan pekerjaan dengan lebih baik dan lebih aman pada kecepatan sesuai rancangannya.
 18. **Jangan gunakan mesin listrik jika sakelar tidak dapat menghidupkan atau mematikannya.** Mesin listrik yang tidak dapat dikendalikan dengan sakelarnya adalah berbahaya dan harus diperbaiki.
 19. **Cabut steker dari sumber listrik dan/atau baterai dari mesin listrik sebelum melakukan penyetelan, penggantian aksesoris, atau menyimpkan mesin listrik.** Langkah keselamatan preventif tersebut mengurangi risiko hidupnya mesin secara tak sengaja.
 20. **Simpan mesin listrik jauh dari jangkauan anak-anak dan jangan biarkan orang yang tidak paham akan mesin listrik tersebut atau petunjuk ini menggunakan mesin listrik.** Mesin listrik sangat berbahaya di tangan pengguna yang tak terlatih.
 21. **Rawatlah mesin listrik. Periksa apakah ada bagian bergerak yang tidak lurus atau macet, bagian yang pecah dan kondisi lain yang dapat mempengaruhi penggunaan mesin listrik. Jika rusak, perbaiki dahulu mesin listrik sebelum digunakan.** Banyak kecelakaan disebabkan oleh kurangnya pemeliharaan mesin listrik.
 22. **Jaga agar mesin pemotong tetap tajam dan bersih.** Mesin pemotong yang terawat baik dengan mata pemotong yang tajam tidak akan mudah macet dan lebih mudah dikendalikan.
 23. **Gunakan mesin listrik, aksesoris, dan mata mesin, dll. sesuai dengan petunjuk ini, dengan memperhitungkan kondisi kerja dan jenis pekerjaan yang dilakukan.** Penggunaan mesin listrik untuk tujuan yang lain dari peruntukan dapat menimbulkan situasi berbahaya.
- #### Penggunaan dan pemeliharaan mesin listrik baterai
24. **Isi ulang baterai hanya dengan pengisi baterai (charger) yang ditentukan oleh pabrik pembuat mesin.** Pengisi baterai yang cocok untuk suatu jenis baterai dapat menimbulkan risiko kebakaran bila digunakan dengan baterai yang lain.
 25. **Gunakan mesin listrik hanya dengan baterai yang khusus ditentukan untuknya.** Penggunaan baterai yang lain dapat menimbulkan risiko cedera dan kebakaran.
 26. **Bila baterai tidak sedang digunakan, jauhkanlah dari benda logam lain, seperti klip kertas, koin, kunci, paku, sekrup, atau benda logam kecil lainnya, yang dapat menjadi penghubung antara terminal-terminalnya.** Menghubsungkan terminal-terminal baterai dapat menyebabkan luka bakar atau kebakaran.
 27. **Bila disalahkan, baterai dapat mengeluarkan cairan; hindari terkena cairan ini. Jika terkena cairan ini secara tidak sengaja, bilaslah dengan**

air. Jika cairan mengenai mata, setelah dibilas, mintalah bantuan medis. Cairan yang keluar dari baterai dapat menyebabkan iritasi atau luka bakar.

Service

28. Berikan mesin listrik untuk diperbaiki/diservis hanya kepada teknisi yang berkualifikasi dengan menggunakan hanya suku cadang pengganti yang serupa. Hal ini akan menjamin terjaganya keamanan mesin listrik.
29. Patuhi petunjuk pelumasan dan penggantian aksesoris.
30. Jagalah agar gagang kering, bersih, dan bebas dari minyak dan gemuk.

PERINGATAN KESELAMATAN GERGAJI PITA JINJING NIRKABEL

GEB065-2

1. Pegang mesin listrik pada permukaan genggaman yang terisolasi bila dalam melakukan pekerjaan aksesoris pemotong dapat menyentuh kawat tersembunyi. Aksesoris pemotong yang menyentuh kawat "hidup" (teraliri arus listrik) dapat menyebabkan bagian logam yang terbuka pada mesin ikut teraliri arus listrik dan menyengat pengguna.
2. Gunakan hanya bilah gergaji yang tercantum dalam "SPESIFIKASI".
3. Periksa bilah gergaji dengan teliti dari retakan atau kerusakan sebelum digunakan. Segera ganti bilah gergaji yang retak atau rusak.
4. Kencangkan benda kerja kuat-kuat. Bila memotong beberapa benda kerja dalam satu bundelan, pastikan bahwa semua benda kerja telah disatukan dengan kuat sebelum memotong.
5. Memotong benda kerja yang berlumuran oli dapat menyebabkan bilah gergaji terlepas secara tidak terduga. Lap bersih semua kelebihan oli dari benda kerja sebelum memotong.
6. Jangan sekali-kali menggunakan oli pemotongan sebagai pelumas pemotongan. Gunakan hanya lilin pelumas pemotongan Makita.
7. Jangan mengenakan sarung tangan saat mengoperasikan mesin ini.
8. Pegang mesin kuat-kuat dengan kedua tangan.
9. Jauhkan tangan dari bagian yang berputar.
10. Saat memotong logam, hati-hatilah terhadap serpihan panas yang beterbangan.
11. Jangan tinggalkan mesin dalam keadaan hidup tanpa ditunggu.
12. Jangan menyentuh bilah gergaji atau benda kerja segera setelah pengoperasian selesai; suhunya mungkin masih sangat panas dan dapat membakar kulit Anda.

SIMPAN PETUNJUK INI.

⚠ PERINGATAN:
JANGAN biarkan kenyamanan atau terbiasanya Anda dengan produk (karena penggunaan berulang) menggantikan kepatuhan yang ketat terhadap aturan keselamatan untuk produk yang terkait.
PENYALAHGUNAAN atau kelalaian mematuhi kaidah keselamatan yang tertera dalam petunjuk

penggunaan ini dapat menyebabkan cedera badan serius.

PETUNJUK KESELAMATAN PENTING

ENC007-9

UNTUK KARTRID BATERAI

1. Sebelum menggunakan kartrid baterai, bacalah semua petunjuk dan tanda peringatan pada (1) pengisi baterai, (2) baterai, dan (3) produk yang menggunakan baterai.
2. Jangan membongkar kartrid baterai.
3. Jika waktu pengoperasian telah menjadi terlalu singkat, segera hentikan pengoperasian. Keadaan tersebut dapat mengakibatkan risiko timbulnya panas berlebihan, kemungkinan luka bakar, dan bahkan ledakan.
4. Jika ada elektrolit yang masuk ke mata, bilaslah bersih-bersih dengan air bersih dan segera cari bantuan medis. Hal itu dapat mengakibatkan hilangnya penglihatan.
5. Jangan menghubungsingkatkan kartrid baterai:
 - (1) Jangan menyentuh terminal-terminalnya dengan bahan konduktif.
 - (2) Hindari menyimpan kartrid baterai dalam wadah bersama dengan benda logam lainnya seperti paku, koin, dll.
 - (3) Jangan biarkan kartrid baterai terkena air atau hujan.

Hubungan singkat baterai dapat menyebabkan aliran arus yang besar, panas berlebihan, kemungkinan luka bakar, dan bahkan kerusakan permanen.

6. Jangan menyimpan alat ini dan kartrid baterai di tempat yang suhunya dapat mencapai atau melebihi 50°C (122°F).
7. Jangan membakar kartrid baterai bahkan meskipun kartrid sudah rusak parah atau benar-benar rusak. Kartrid baterai dapat meledak di dalam api.
8. Berhati-hatilah agar baterai tidak sampai terjatuh atau terpukul.
9. Jangan menggunakan baterai yang rusak.
10. Ikutilah peraturan setempat terkait pembuangan baterai.

SIMPAN PETUNJUK INI.

Kiat untuk mempertahankan usia pakai baterai maksimum

1. Isilah kembali kartrid baterai sebelum baterai sepenuhnya habis. Selalu hentikan pengoperasian alat dan isi kartrid baterai saat Anda merasakan bahwa tenaga alat telah berkurang.
2. Jangan sekali-kali mengisi ulang kartrid baterai yang telah terisi penuh. Mengisi baterai terlalu banyak akan memperpendek usia pakai baterai.
3. Isilah kartrid baterai dalam ruangan bersuhu antara 10°C - 40°C (50°F - 104°F). Biarkan kartrid

baterai yang panas mendingin lebih dahulu sebelum mengisinya.

4. **Ganti kartrid baterai jika Anda akan tidak menggunakannya untuk waktu yang lama (lebih dari enam bulan).**

DESKRIPSI FUNGSI

⚠ PERHATIAN:

- Selalu pastikan bahwa mesin dalam keadaan mati dan kartrid baterainya telah dilepas sebelum menyatel atau memeriksa fungsi mesin.

Memasang atau melepas kartrid baterai (Gb. 1)

⚠ PERHATIAN:

- Selalu matikan mesin sebelum memasang atau melepas kartrid baterainya.
- **Pegang mesin dan kartrid baterai kuat-kuat saat memasang atau melepaskan kartrid baterai.** Bila tidak dipegang dengan kuat, mesin dan kartrid baterai dapat terlepas dari tangan Anda dan menyebabkan kerusakan pada mesin dan kartrid baterai serta cedera.

Untuk mengeluarkan kartrid baterai, geser kartrid dari mesin sambil menggeser tombol pada bagian depan kartrid.

Untuk memasang kartrid baterai, luruskan lidah pada kartrid baterai dengan alur pada rumah mesin dan dorong masuk kartrid ke tempatnya. Masukkan kartrid sepenuhnya sampai terkunci di tempatnya yang ditandai dengan suara klik pelan. Jika Anda dapat melihat indikator merah di sisi atas tombol, berarti baterai belum terkunci sepenuhnya.

⚠ PERHATIAN:

- Selalu pasang kartrid baterai sepenuhnya sampai indikator merah tidak terlihat. Jika tidak, komponen ini dapat terlepas dan jatuh dari mesin, sehingga menyebabkan cedera pada Anda atau orang lain di sekitar Anda.
- Jangan memasang kartrid baterai secara paksa. Jika kartrid tidak dapat meluncur masuk dengan mudah, berarti posisi memasukkannya belum tepat.

Sistem perlindungan baterai (Baterai litium-ion dengan tanda gambar bintang) (Gb. 2)

Baterai litium-ion dengan tanda gambar bintang dilengkapi dengan sistem perlindungan. Sistem ini secara otomatis memutus aliran daya ke mesin untuk memperpanjang usia pakai baterai.

Mesin akan secara otomatis berhenti beroperasi jika mesin dan/atau baterainya berada dalam salah satu keadaan berikut ini:

- Kelebihan beban:
Mesin dioperasikan dengan cara yang membuatnya menyedot arus yang luar biasa besar. Dalam keadaan ini, lepaskan picu sakelar mesin dan hentikan pemakaian yang menyebabkan mesin kelebihan beban. Kemudian tarik picu sakelar lagi untuk menjalankan mesin kembali.
Jika mesin tidak berjalan, berarti baterainya mengalami panas berlebihan. Dalam keadaan ini,

biarkan baterai menjadi dingin dulu sebelum menarik picu sakelarnya lagi.

- Tegangan baterai rendah:
Kapasitas baterai yang tersisa terlalu sedikit dan mesin tidak mau beroperasi. Dalam keadaan ini, lepaskan dan isi kembali (cas) baterainya.

Gerakan sakelar (Gb. 3)

⚠ PERHATIAN:

- Sebelum memasukkan kartrid baterai ke dalam mesin, selalu pastikan bahwa picu sakelar bekerja dengan baik dan kembali ke posisi "OFF" (MATI) saat dilepaskan.

Untuk mencegah picu sakelar tertarik secara tidak disengaja, disediakan tombol kunci-mati.

Untuk menjalankan mesin, tekan tombol kunci-mati dari sisi B dan tarik picu sakelar.

Lepaskan picu sakelar untuk menghentikannya. Setelah menggunakan, selalu tekan masuk tombol kunci-mati dari sisi A.

Tombol-putar penyatel kecepatan (Gb. 4)

Kecepatan mesin dapat disatel secara tak terbatas antara 1,4 m/det dan 2,7 m/det dengan memutar tombol-putar penyatel kecepatan. Kecepatan yang lebih tinggi diperoleh bila tombol-putar diputar ke arah angka 6; kecepatan yang lebih rendah diperoleh bila tombol-putar ini diputar ke arah angka 1.

Pilihlah kecepatan yang tepat untuk benda kerja yang akan dipotong.

⚠ PERHATIAN:

- Tombol-putar penyatel kecepatan dapat diputar hanya sejauh 6 dan kembali ke 1. Jangan memaksanya melewati 6 atau 1, atau fungsi pengaturan kecepatan tidak akan bekerja lagi.

Menyalakan lampu (Gb. 5)

⚠ PERHATIAN:

- Jangan biarkan lampu terkena benturan, yang dapat menyebabkan kerusakan atau memperpendek usia pakainya.

Tarik picu sakelar untuk menyalakan lampu. Lampu akan terus menyala selama picu sakelar ditarik. Lampu akan mati 10 - 15 detik setelah picu dilepas.

CATATAN:

- Gunakan kain kering untuk mengelap bersih kotoran dari lensa lampu. Berhati-hatilah agar tidak menggosok lensa lampu, atau kekuatan sinarnya dapat berkurang.
- Jangan gunakan tiner atau bensin untuk membersihkan lampu. Pelarut seperti itu dapat merusak lampu.
- Bila mesin mengalami kelebihan beban saat digunakan, lampu akan berkedip-kedip.
- Bila kapasitas baterai yang tersisa tinggal sedikit, lampu akan berkedip-kedip.

PERAKITAN

⚠ PERHATIAN:

- Selalu pastikan bahwa mesin dalam keadaan mati dan kartrid baterainya dilepas sebelum melakukan pekerjaan apa pun pada mesin.

Memasang atau melepas bilah gergaji

⚠️ PERHATIAN:

- Oli pada bilah gergaji dapat menyebabkan bilah selip atau terlepas secara tak terduga. Lap bersih seluruh kelebihan oli dengan kain sebelum memasang bilah gergaji.
- Hati-hatilah saat menangani bilah sehingga Anda tidak terluka oleh mata gigi gergaji yang tajam.

Putar tuas pengencang bilah searah jarum jam sampai menempel dengan tonjolan pada rangka. **(Gb. 6)**

Samakan arah tanda panah pada bilah dengan arah tanda panah pada roda. **(Gb. 7)**

Masukkan bilah gergaji ke antara bantalan-bantalan

penahan atas lebih dahulu, lalu ke penahan bawah.

Punggang bilah harus menyentuh bantalan di dalam bagian bawah penahan atas dan penahan bawah.

Posisikan bilah gergaji melingkari roda dan masukkan sisi lain bilah di dalam penahan atas dan penahan bawah sampai punggung bilah menyentuh dasar penahan atas dan penahan bawah. **(Gb. 8 & 9)**

Masukkan bilah gergaji ke dalam alur pada pemandu bilah.

Tahan bilah gergaji di tempatnya dan putar tuas

pengencang bilah berlawanan arah jarum jam sampai

menempel tonjolan pada rangka. Ini memberikan

ketegangan yang tepat pada bilah. Pastikan bahwa bilah terposisikan dengan benar di dalam pelindung bilah dan pada roda.

Jalankan dan hentikan mesin dua atau tiga kali untuk memastikan bahwa bilah berjalan dengan baik pada roda.

⚠️ PERHATIAN:

- Sambil memastikan bahwa bilah gergaji berjalan dengan baik pada roda, jauhkanlah tubuh Anda dari area bilah gergaji.

Untuk melepas bilah, ikuti prosedur pemasangan secara terbalik.

⚠️ PERHATIAN:

- Saat memutar tuas pengencang bilah searah jarum jam untuk melepaskan ketegangan pada bilah, arahkan mesin ke bawah karena bilah dapat terlepas secara tak terduga.

Menyetel tonjolan pelat penghenti

(Gb. 10)

Dalam penggunaan biasa, tonjolan pelat penghenti ke sisi A sepenuhnya. Bila pelat penghenti membentuk penghalang seperti dinding atau benda serupa pada akhir pemotongan, kendurkan dua sekrup dan geser pelat ke sisi B dalam gambar. Setelah digeser, kencangkan pelat penghenti dengan mengencangkan dua sekrup kuat-kuat.

PENGGUNAAN

Penting untuk mempertahankan paling sedikit dua gigi di dalam potongan. **(Gb. 11)**

Pilih posisi pemotongan yang tepat bagi benda kerja Anda dengan mengacu pada gambar. **(Gb. 12)**

Tahan mesin dengan kedua tangan seperti diperlihatkan dalam gambar dengan pelat penghenti menyentuh benda kerja dan bilah tidak menyentuh benda kerja. **(Gb. 13)**

Hidupkan mesin dan tunggu hingga bilah mencapai kecepatan penuh.

Dengan pelan turunkan bilah gergaji ke benda yang akan dipotong. Berat mesin atau sedikit tekanan pada mesin akan memberikan tekanan yang cukup untuk pemotongan. Jangan memaksa mesin.

Saat Anda mencapai akhir pemotongan, lepaskan tekanan dan, tanpa membuat mesin terangkat, angkatlah mesin sedikit sehingga mesin tidak akan jatuh ke atas benda kerja.

⚠️ PERHATIAN:

- Memberikan tekanan berlebihan pada mesin atau memuntir bilah gergaji dapat menyebabkan pemotongan miring atau kerusakan pada bilah gergaji.
- Bila mesin tidak digunakan untuk waktu lama, lepaskan bilah dari mesin.
- Jika mesin digunakan secara terus-menerus sampai kartrid baterainya habis, istirahatkan mesin selama 15 menit sebelum melanjutkan dengan baterai baru.

Pelumas pemotongan

Saat memotong logam, gunakan lilin pelumas pemotongan Makita sebagai pelumas pemotongan. Untuk mengaplikasikan lilin pelumas pada gigi gergaji, jalankan mesin dan iriskan pada lilin pelumas seperti dalam gambar, setelah tutup lilin pelumas dibuka. **(Gb. 14)**

⚠️ PERHATIAN:

- Jangan sekali-kali menggunakan oli pemotongan atau mengaplikasikan terlalu banyak lilin pada bilah gergaji. Hal itu dapat menyebabkan bilah selip atau terlepas secara tak terduga.
- Bila memotong besi tuang, jangan gunakan lilin pelumas.

PERAWATAN

⚠️ PERHATIAN:

- Selalu pastikan bahwa mesin dalam keadaan mati dan kartrid baterainya dilepas sebelum mencoba melakukan pemeriksaan atau perawatan.
- Jangan sekali-kali menggunakan bensin, tiner, alkohol, atau bahan sejenisnya. Penggunaan bahan demikian dapat menyebabkan perubahan warna dan bentuk serta timbulnya retakan.

Pembersihan

Setelah digunakan, bersihkan lilin, serpihan, dan debu dari mesin, ban roda, dan bilah gergaji.

⚠️ PERHATIAN:

- Jangan sekali-kali menggunakan pelarut seperti terpentin, bensin, pembersih, dll. untuk membersihkan komponen plastik.
- Lilin dan serpihan pada ban dapat menyebabkan bilah selip atau terlepas secara tak terduga. Gunakan kain kering untuk membersihkan lilin dan serpihan dari ban.

Mengganti ban pada roda (Gb. 15)

Apabila bilah selip atau tidak berada di jalur yang benar karena ban sudah sangat aus, atau bibir ban pada sisi motor rusak, ban harus diganti.

Mengganti borstel arang (Gb. 16)

Lepaskan dan periksa borstel arang secara teratur. Ganti bila borstel sudah aus mencapai garis batas. Jaga agar borstel tetap bersih dan masuk lancar ke tempatnya. Kedua borstel arang harus diganti secara bersamaan. Gunakan hanya borstel arang yang identik. Gunakan obeng untuk melepas tutup borstel arang. Lepaskan borstel arang yang sudah aus, masukkan borstel baru, dan kencangkan tutup borstel. **(Gb. 17)** Untuk menjaga KEAMANAN dan KEHANDALAN, perbaikan, perawatan lain, atau penyetelan harus dilakukan oleh Pusat Servis Resmi Makita dan gunakan selalu suku cadang Makita.

AKSESORI TAMBAHAN

PERHATIAN:

- Aksesori atau alat tambahan ini dianjurkan untuk digunakan dengan alat Makita milik Anda yang disebutkan dalam buku petunjuk ini. Penggunaan aksesori atau alat tambahan lain dapat menimbulkan risiko cedera pada orang. Gunakan aksesori atau alat tambahan sesuai kegunaannya.

Jika Anda membutuhkan bantuan perihal informasi lebih terperinci mengenai aksesori-aksesori ini, tanyakan kepada Pusat Servis Resmi Makita setempat.

- Bilah gergaji pita
- Kunci hex 4
- Lilin pelumas pemotongan
- Baterai dan pengisi baterai asli Makita

CATATAN:

- Beberapa artikel dalam daftar dapat disertakan dalam kemasan mesin sebagai aksesori standar. Kelengkapan ini dapat berbeda dari satu negara ke negara lainnya.

TIẾNG VIỆT (Hướng dẫn gốc)

Giải thích về hình vẽ tổng thể

- | | | |
|--------------------------|--------------------------------|--------------------------|
| 1. Hộp pin | 11. Phần nhô ra | 21. Vít |
| 2. Nút | 12. Lẫy | 22. Đĩa hãm |
| 3. Chỉ báo màu đỏ | 13. Lưỡi của | 23. Sáp bôi trơn khi của |
| 4. Dấu sao | 14. Ổ trục | 24. Lớp |
| 5. Nút khoá | 15. Giá đỡ trên | 25. Mép vành |
| 6. Bộ khởi động công tắc | 16. Giá đỡ dưới | 26. Vạch giới hạn |
| 7. Núm điều chỉnh tốc độ | 17. Bánh xe | 27. Tua vít |
| 8. Đèn | 18. Ấn | 28. Nắp giá đỡ chổi than |
| 9. Vận chạt | 19. Bộ phận dẫn hướng lưỡi của | |
| 10. Vận lỏng | 20. Rãnh | |

THÔNG SỐ KỸ THUẬT

Kiểu máy		DPB180
Công suất cắt tối đa	Phôi tròn	120 mm đường kính
	Phôi hình chữ nhật	120 mm x 120 mm
Vận tốc lưỡi của		1,4 - 2,7 m/s
Kích thước lưỡi của	Chiều dài	1.140 mm
	Chiều rộng	13 mm
	Độ dày	0,5 mm
Kích thước toàn bộ (D x R x C)		523 mm x 231 mm x 313 mm
Trọng lượng tịnh		6,5 kg
Điện áp định mức		Dòng một chiều: 18 V

- Do chương trình nghiên cứu và phát triển liên tục của chúng tôi nên các thông số kỹ thuật dưới đây có thể thay đổi mà không cần thông báo.
- Các thông số kỹ thuật và hộp pin ở mỗi quốc gia có thể khác nhau.
- Trọng lượng, có hộp pin, theo quy định EPTA-Procedure 01/2003

Ký hiệu

END004-6

Phần dưới đây cho biết các ký hiệu được dùng cho thiết bị. Đảm bảo rằng bạn hiểu ý nghĩa của các ký hiệu này trước khi sử dụng.



..... Đọc tài liệu hướng dẫn.

Mục đích sử dụng

ENE009-1

Dụng cụ được sử dụng để cưa gỗ, nhựa và vật liệu chứa sắt.

Cảnh báo An toàn Chung dành cho Dụng cụ Máy

GEA006-2

⚠ CẢNH BÁO Đọc tất cả cảnh báo an toàn cũng như tất cả hướng dẫn. Việc không tuân theo các cảnh báo và hướng dẫn có thể dẫn đến điện giật, hỏa hoạn và/hoặc thương tích nghiêm trọng.

Lưu giữ tất cả cảnh báo và hướng dẫn để tham khảo sau này.

Thuật ngữ “dụng cụ máy” trong các cảnh báo đề cập đến dụng cụ máy (có dây) được vận hành bằng điện hoặc dụng cụ máy (không dây) được vận hành bằng pin.

An toàn tại nơi làm việc

- Giữ nơi làm việc sạch sẽ và có đủ ánh sáng.** Nơi làm việc bừa bộn hoặc tối có thể dẫn đến tai nạn.
- Không vận hành dụng cụ máy trong môi trường cháy nổ, ví dụ như môi trường có sự hiện diện của các chất lỏng, khí hoặc bụi dễ cháy.** Các dụng cụ máy tạo ra tia lửa điện có thể làm bùng hoặc khí bốc cháy.
- Giữ trẻ em và người ngoài tránh xa nơi làm việc khi đang vận hành dụng cụ máy.** Sự sao lãng có thể khiến bạn mất khả năng kiểm soát.

An toàn về điện

- Phích cắm của dụng cụ máy phải khớp với ổ cắm. Không bao giờ được sửa đổi phích cắm theo bất kỳ cách nào. Không sử dụng bất kỳ phích cắm hợp nào với các dụng cụ máy được nối đất (tiếp đất).** Các phích cắm còn nguyên vẹn và ổ cắm phù hợp sẽ giảm nguy cơ điện giật.
- Tránh để cơ thể tiếp xúc với các bề mặt nối đất hoặc tiếp đất như đường ống, bộ tản nhiệt, bếp ga và tủ lạnh.** Nguy cơ bị điện giật sẽ tăng lên nếu cơ thể bạn được nối đất hoặc tiếp đất.
- Không để dụng cụ máy tiếp xúc với mưa hoặc trong điều kiện ẩm ướt.** Nước chảy vào dụng cụ máy sẽ làm tăng nguy cơ điện giật.
- Không sử dụng dây sai cách. Không bao giờ sử dụng dây để mang, kéo hoặc tháo phích cắm**

dụng cụ máy. Giữ dây tránh xa nguồn nhiệt, dầu, các mép sắc hoặc các bộ phận chuyển động. Dây bị hỏng hoặc bị rối sẽ làm tăng nguy cơ điện giật.

8. **Khi vận hành dụng cụ máy ngoài trời, hãy sử dụng dây kéo dài phù hợp cho việc sử dụng ngoài trời.** Việc dùng dây phù hợp cho việc sử dụng ngoài trời sẽ giảm nguy cơ điện giật.
9. **Nếu bắt buộc phải vận hành dụng cụ máy ở nơi ẩm ướt, hãy sử dụng nguồn cấp điện được bảo vệ bằng thiết bị ngắt mạch rò điện (GFCI).** Sử dụng GFCI sẽ giảm nguy cơ điện giật.

An toàn cá nhân

10. **Luôn tỉnh táo, quan sát những việc bạn đang làm và sử dụng những phán đoán theo kinh nghiệm khi vận hành dụng cụ máy.** Không sử dụng dụng cụ máy khi bạn đang mệt mỏi hoặc chịu ảnh hưởng của ma túy, chất cồn hay thuốc. Chỉ một khoảnh khắc không tập trung khi đang vận hành dụng cụ máy cũng có thể dẫn đến thương tích cá nhân nghiêm trọng.
11. **Sử dụng thiết bị bảo hộ cá nhân. Luôn đeo thiết bị bảo vệ mắt.** Các thiết bị bảo hộ như mặt nạ chống bụi, giày an toàn không trượt, mũ bảo hộ hay thiết bị bảo vệ thính giác được sử dụng trong các điều kiện thích hợp sẽ giúp giảm thương tích cá nhân.
12. **Tránh khởi động vô tình dụng cụ máy. Đảm bảo công tắc ở vị trí off (tắt) trước khi nối nguồn điện và/hoặc bộ pin, cắm hoặc mang dụng cụ máy.** Việc mang dụng cụ máy khi đang đặt ngón tay ở vị trí công tắc hoặc cấp điện cho dụng cụ máy khi công tắc đang ở vị trí bật có thể dẫn đến tai nạn.
13. **Tháo mọi khoá hoặc cờ lê điều chỉnh trước khi bật dụng cụ máy.** Việc cờ lê hoặc khoá vẫn còn gắn vào bộ phận quay của dụng cụ máy có thể dẫn đến thương tích cá nhân.
14. **Không vói quá cao. Luôn giữ thăng bằng tốt và có chỗ để chân phù hợp.** Điều này cho phép điều khiển dụng cụ máy tốt hơn trong những tình huống bất ngờ.
15. **Ăn mặc phù hợp. Không mặc quần áo rộng hay đeo đồ trang sức. Giữ tóc, quần áo và găng tay tránh xa các bộ phận chuyển động.** Quần áo rộng, đồ trang sức hay tóc dài có thể mắc vào các bộ phận chuyển động.
16. **Nếu thiết bị được cung cấp kèm theo các bộ phận để nối thiết bị hút và gom bụi, hãy đảm bảo chúng được kết nối và sử dụng đúng cách.** Sử dụng thiết bị gom bụi có thể làm giảm những mối nguy hiểm liên quan đến bụi.

Sử dụng và bảo quản dụng cụ máy

17. **Không ép buộc dụng cụ máy. Sử dụng đúng dụng cụ máy cho công việc của bạn.** Sử dụng đúng dụng cụ máy sẽ giúp thực hiện công việc tốt hơn và an toàn hơn theo giá trị định mức được thiết kế của dụng cụ máy đó.
18. **Không sử dụng dụng cụ máy nếu công tắc không bật và tắt được dụng cụ máy đó.** Mọi

dụng cụ máy không thể điều khiển được bằng công tắc đều rất nguy hiểm và cần được sửa chữa.

19. **Rút phích cắm ra khỏi nguồn điện và/hoặc tháo bộ pin khỏi dụng cụ máy trước khi thực hiện bất kỳ công việc điều chỉnh, thay đổi phụ tùng hay cất giữ dụng cụ máy nào.** Những biện pháp an toàn phòng ngừa này sẽ giảm nguy cơ khởi động vô tình dụng cụ máy.
20. **Cất giữ các dụng cụ máy không sử dụng ngoài tầm với của trẻ em và không cho bất kỳ người nào không có hiểu biết về dụng cụ máy hoặc các hướng dẫn này vận hành dụng cụ máy.** Dụng cụ máy sẽ rất nguy hiểm nếu được sử dụng bởi những người dùng chưa qua đào tạo.
21. **Bảo dưỡng dụng cụ máy. Kiểm tra tình trạng lệch trục hoặc bó kẹt của các bộ phận động, hiện tượng nứt vỡ của các bộ phận và mọi tình trạng khác mà có thể ảnh hưởng đến hoạt động của dụng cụ máy.** Nếu có hỏng hóc, hãy sửa chữa dụng cụ máy trước khi sử dụng. Nhiều tai nạn xảy ra là do không bảo quản tốt dụng cụ máy.
22. **Luôn giữ cho dụng cụ cất được sắc và sạch.** Những dụng cụ cất được bảo dưỡng đúng cách có lưỡi cắt sắc sẽ ít bị kẹt hơn và dễ điều khiển hơn.
23. **Sử dụng dụng cụ máy, phụ tùng và đầu dụng cụ cất, v.v... theo các hướng dẫn này, có tính đến điều kiện làm việc và công việc được thực hiện.** Việc sử dụng dụng cụ máy cho các công việc khác với công việc dự định có thể gây nguy hiểm.

Sử dụng và bảo quản dụng cụ dùng pin

24. **Chỉ sạc lại bằng bộ sạc được nhà sản xuất chỉ định.** Bộ sạc thích hợp cho một loại bộ pin có thể gây rủi ro cháy khi được sử dụng với bộ pin khác.
25. **Chỉ sử dụng dụng cụ máy với các bộ pin được chỉ định cụ thể.** Sử dụng bất kỳ bộ pin nào khác cũng có nguy cơ gây ra chấn thương hoặc cháy.
26. **Khi không sử dụng bộ pin, hãy cất giữ bộ pin cách xa các vật kim loại khác, như ghim kẹp giấy, tiền xu, chìa khoá, đinh, đai ốc hoặc các vật kim loại nhỏ khác, là những vật có thể trở thành vật kết nối một cực với cực kia.** Chập các cực pin vào nhau có thể gây bỏng hoặc cháy.
27. **Trong các trường hợp sử dụng sai mục đích, pin có thể tiết ra chất lỏng; hãy tránh tiếp xúc. Nếu bạn vô tình tiếp xúc với chất lỏng này, hãy rửa sạch bằng nước.** Nếu chất lỏng này tiếp xúc với mắt, bạn phải tìm thêm sự trợ giúp y tế. Chất lỏng tiết ra từ pin có thể gây rát hoặc bỏng.

Bảo dưỡng

28. **Đề nghị viên sửa chữa đủ trình độ bảo dưỡng dụng cụ máy của bạn và chỉ sử dụng các bộ phận thay thế đồng nhất.** Việc này sẽ đảm bảo duy trì được độ an toàn của dụng cụ máy.
29. **Trước những hướng dẫn dành cho việc bôi trơn và thay phụ tùng.**
30. **Giữ tay cầm khô, sạch, không dính dầu và mỡ.**

CẢNH BÁO AN TOÀN DÀNH CHO MÁY CỬA VÒNG CHẠY PIN

GEB065-2

1. **Cắm máy cửa bằng bề mặt kẹp cách điện khi thực hiện một thao tác trong đó phụ tùng cắt có thể tiếp xúc với dây dẫn kín.** Phụ tùng cắt tiếp xúc với dây dẫn "có điện" có thể khiến các bộ phận kim loại trần của dụng cụ bị "tiếp điện" và làm cho người vận hành bị điện giật.
2. **Chỉ sử dụng lưỡi cửa được liệt kê trong "THÔNG SỐ KỸ THUẬT".**
3. **Kiểm tra cẩn thận lưỡi cửa xem có vết nứt hay hư hỏng nào không trước khi vận hành.** Thay thế lưỡi cửa bị nứt hay hư hỏng ngay lập tức.
4. **Giữ chặt phôi.** Khi của một bó phôi, đảm bảo rằng tất cả các phôi đã được bó chặt với nhau trước khi của.
5. **Cửa những phôi có phủ một lớp dầu bên trên có thể khiến lưỡi cửa bất ngờ bị văng ra.** Lau thật sạch dầu thừa khỏi phôi trước khi của.
6. **Không được sử dụng dầu cắt làm chất bôi trơn khi của.** Chỉ được sử dụng sáp bôi trơn khi của của Makita.
7. **Không được đeo găng tay trong suốt quá trình vận hành.**
8. **Cắm chắc dụng cụ bằng cả hai tay.**
9. **Giữ tay tránh xa các bộ phận quay.**
10. **Khi của kim loại, hãy cẩn thận với mặt nóng bay ra.**
11. **Không được để dụng cụ hoạt động mà không có sự giám sát.**
12. **Không chạm ngay vào lưỡi cửa hoặc phôi sau khi vận hành; chúng có thể cực nóng và có thể làm bỏng da.**

LƯU GIỮ CÁC HƯỚNG DẪN NÀY.

⚠ CẢNH BÁO:

KHÔNG được để sự thoải mái hay quen thuộc với sản phẩm (có được do sử dụng nhiều lần) thay thế việc tuân thủ nghiêm ngặt các quy định về an toàn dành cho sản phẩm này. **VIỆC DÙNG SAI** hoặc không tuân theo các quy định về an toàn được nêu trong tài liệu hướng dẫn này có thể dẫn đến thương tích cá nhân nghiêm trọng.

HƯỚNG DẪN QUAN TRỌNG VỀ AN TOÀN

ENC007-9

DÀNH CHO HỘP PIN

1. **Trước khi sử dụng hộp pin, hãy đọc tất cả hướng dẫn và ký hiệu cảnh báo trên (1) bộ sạc pin, (2) pin và (3) sản phẩm dùng pin.**
2. **Không tháo rời hộp pin.**
3. **Nếu thời gian vận hành ngắn hơn quá mức, hãy ngừng vận hành ngay lập tức.** Điều này có thể dẫn đến rùi ro quá nhiệt, có thể gây bỏng và thậm chí là nổ.
4. **Nếu chất điện phân rơi vào mắt, hãy rửa sạch bằng nước sạch và đến cơ sở y tế ngay lập tức.** Chất này có thể khiến bạn giảm thị lực.
5. **Không để hộp pin ở tình trạng đoản mạch:**

- (1) **Không chạm vào cực pin bằng vật liệu dẫn điện.**
- (2) **Tránh cất giữ hộp pin trong hộp có các vật kim loại khác như đinh, tiền xu, v.v...**
- (3) **Không để hộp pin dính nước hoặc ngoài trời mưa.**

Đoản mạch pin có thể gây ra dòng điện lớn, quá nhiệt, có thể gây bỏng và thậm chí là hỏng hóc.

6. **Không cất giữ dụng cụ và hộp pin ở nơi nhiệt độ có thể lên tới hoặc vượt quá 50°C (122°F).**
7. **Không đốt hộp pin ngay cả khi hộp pin đã bị hư hại nặng hoặc hư hỏng hoàn toàn.** Hộp pin có thể nổ khi tiếp xúc với lửa.
8. **Hãy cẩn trọng không làm rơi hoặc làm méo pin.**
9. **Không sử dụng pin đã hỏng.**
10. **Thực hiện theo các quy định địa phương bạn về việc thải bỏ pin.**

LƯU GIỮ CÁC HƯỚNG DẪN NÀY.

Mẹo duy trì tuổi thọ tối đa cho pin

1. **Sạc pin trước khi hết pin.**
Luôn ngừng vận hành dụng cụ và sạc pin khi bạn thấy dụng cụ bị yếu pin.
2. **Không bao giờ sạc lại pin khi hộp pin đã được sạc đầy.**
Sạc quá mức sẽ làm giảm tuổi thọ của pin.
3. **Sạc pin ở nhiệt độ phòng 10°C - 40°C (50°F - 104°F).** Để cho hộp pin nóng nguội trước khi sạc.
4. **Sạc hộp pin nếu bạn không sử dụng hộp pin đó trong khoảng thời gian dài (hơn 6 tháng).**

MÔ TẢ CHỨC NĂNG

⚠ THẬN TRỌNG:

- Luôn đảm bảo rằng dụng cụ đã được tắt và hộp pin đã được tháo trước khi điều chỉnh hoặc kiểm tra chức năng trên dụng cụ.

Lắp hoặc tháo hộp pin (Hình 1)

⚠ THẬN TRỌNG:

- Luôn tắt công tắc dụng cụ trước khi lắp hoặc tháo hộp pin.
- **Cắm chắc dụng cụ và hộp pin khi lắp hoặc tháo hộp pin.** Không cầm chắc dụng cụ và hộp pin có thể khiến chúng bị trượt khỏi tay bạn, dẫn đến hư hỏng dụng cụ và hộp pin cũng như gây thương tích cá nhân.

Để tháo hộp pin, trượt hộp pin ra khỏi dụng cụ đồng thời đẩy nhẹ nút ở phía trước hộp pin.

Để lắp hộp pin, đặt thẳng hàng chốt nhỏ ra của hộp pin với rãnh ở vỏ và đẩy hộp pin vào vị trí. Đưa toàn bộ pin vào cho đến khi hộp pin khớp vào vị trí với một tiếng cách nhỏ. Nếu bạn có thể thấy chỉ báo màu đỏ ở mặt trên của nút thì hộp pin chưa hoàn toàn khớp vào vị trí.

⚠ THẬN TRỌNG:

- Luôn lắp hộp pin vào hoàn toàn cho đến khi không thể thấy được chỉ báo màu đỏ. Nếu không, pin có thể bắt đầu văng ra khỏi dụng cụ, gây thương tích cho bạn hoặc người xung quanh.

- Không dùng sức mạnh để lắp hộp pin. Nếu hộp pin không trượt vào dễ dàng thì có nghĩa là pin đang được lắp không đúng cách.

Hệ thống bảo vệ pin (Pin lithi có dấu sao) (Hình 2)

Pin lithi có dấu sao được trang bị một hệ thống bảo vệ. Hệ thống này sẽ tự động ngắt nguồn cho dụng cụ để tăng tuổi thọ pin.

Dụng cụ sẽ tự động ngừng hoạt động nếu dụng cụ và/hoặc pin ở một trong các điều kiện sau.

- Quá tải:
 - Dụng cụ được vận hành theo cách tạo ra dòng điện cao bất thường.
 - Trong trường hợp này, hãy nhả bộ khởi động công tắc trên dụng cụ và ngừng hoạt động khiến dụng cụ bị quá tải. Sau đó kéo lại bộ khởi động công tắc để khởi động lại.
 - Nếu dụng cụ không khởi động, nghĩa là pin bị quá nhiệt. Trong tình huống này, hãy để pin nguội trước khi kéo lại bộ khởi động công tắc.
- Điện áp pin thấp:
 - Điện dung còn lại của pin quá thấp và dụng cụ sẽ không hoạt động. Trong trường hợp này, hãy tháo và sạc lại pin.

Hoạt động của công tắc (Hình 3)

⚠ THẬN TRỌNG:

- Trước khi lắp hộp pin vào dụng cụ, luôn kiểm tra xem bộ khởi động công tắc có khởi động đúng và trở về vị trí “TẮT” khi được nhả ra hay không. Nút khoá được trang bị để tránh bộ khởi động công tắc bị vò tình kéo.
- Để khởi động dụng cụ, ấn vào mặt B của nút khoá và kéo bộ khởi động công tắc.
- Nhả bộ khởi động công tắc để dừng. Sau khi sử dụng, luôn nhớ ấn mặt A của nút khoá.

Núm điều chỉnh tốc độ (Hình 4)

Bạn có thể điều chỉnh tốc độ dụng cụ trong khoảng từ 1,4 m/s tới 2,7 m/s bằng cách xoay núm điều chỉnh. Dụng cụ đạt được tốc độ lớn hơn khi xoay núm theo hướng số 6; tốc độ nhỏ hơn khi xoay núm theo hướng số 1.

Chọn tốc độ thích hợp cho phù hợp cần của.

⚠ THẬN TRỌNG:

- Chỉ có thể xoay núm điều chỉnh tốc độ tối đa tới 6 và trở lại 1. Không được cố xoay núm điều chỉnh tốc độ quá 6 hoặc 1, nếu không chức năng điều chỉnh tốc độ có thể không hoạt động nữa.

Bật đèn (Hình 5)

⚠ THẬN TRỌNG:

- Không tác động mạnh vào đèn, có thể gây hỏng hóc hoặc rút ngắn tuổi thọ của đèn.
- Kéo bộ khởi động công tắc để bật đèn. Đèn sáng khi bộ khởi động công tắc được kéo. Đèn sẽ tắt trong vòng 10 - 15 giây sau khi nhả bộ khởi động.

CHÚ Ý:

- Sử dụng vải khô để lau sạch bụi bẩn khỏi bóng đèn. Cần thận không làm xước bóng đèn vì điều đó có thể làm giảm độ sáng.
- Không được sử dụng chất tẩy rửa hoặc xăng để vệ sinh đèn. Nên dùng môi như vậy có thể làm hỏng đèn.
- Khi dụng cụ bị quá tải trong quá trình vận hành, đèn sẽ nhấp nháy.
- Khi lượng pin còn lại ít, đèn sẽ nhấp nháy.

QUÁ TRÌNH LẮP RÁP

⚠ THẬN TRỌNG:

- Luôn chắc chắn rằng dụng cụ đã được tắt nguồn và hộp pin đã được tháo ra trước khi thực hiện bất kỳ công việc nào trên dụng cụ.

Lắp hoặc tháo lưỡi cưa

⚠ THẬN TRỌNG:

- Đầu trên lưỡi cưa có thể khiến lưỡi cưa bị trượt hoặc bất ngờ bật mạnh ra. Sử dụng vải để lau sạch dầu thừa trước khi lắp lưỡi cưa.
- Thận trọng khi xử lý lưỡi cưa để không bị cạnh sắc của răng cưa cắt phải.

Xoay cần căng lưỡi cưa theo chiều kim đồng hồ cho đến khi tiếp xúc với phần nhô ra trên khung. (Hình 6) So hướng mũi tên trên lưỡi cưa với hướng mũi tên trên bánh xe. (Hình 7)

Lắp lưỡi cưa vào ổ trục của giá đỡ trên trước, rồi lắp vào giá đỡ dưới. Phần lưng của lưỡi cưa phải tiếp xúc với ổ trục ở vị trí dưới của giá đỡ trên và giá đỡ dưới. Đặt lưỡi cưa cong theo bánh xe và lắp đầu kia của lưỡi cưa vào giá đỡ trên và giá đỡ dưới cho đến khi mặt dưới lưỡi cưa tiếp xúc với đáy của giá đỡ trên và giá đỡ dưới. (Hình 8 & 9)

Đặt lưỡi cưa vào rãnh trong bộ phận dẫn hướng lưỡi cưa.

Giữ lưỡi cưa đúng vị trí và xoay cần căng lưỡi cưa theo hướng ngược chiều kim đồng hồ cho đến khi lưỡi cưa chạm vào phần nhô ra trên khung. Thao tác này giúp chỉnh độ căng phù hợp cho lưỡi cưa. Đảm bảo rằng lưỡi cưa nằm chính xác trong vành bảo vệ lưỡi cưa và bao quanh bánh xe.

Khởi động và ngừng dụng cụ hai hoặc ba lần để đảm bảo rằng lưỡi cưa hoạt động đúng cách trên bánh xe.

⚠ THẬN TRỌNG:

- Hãy nhớ giữ cho cơ thể tránh xa khỏi lưỡi cưa khi thực hiện kiểm tra để đảm bảo rằng lưỡi cưa chạy đúng cách trên bánh xe.

Để tháo lưỡi cưa, thực hiện ngược lại quy trình lắp.

⚠ THẬN TRỌNG:

- Khi xoay cần căng lưỡi cưa theo chiều kim đồng hồ để giảm độ căng của lưỡi cưa, hãy chĩa dụng cụ xuống phía dưới do lưỡi cưa có thể đột ngột văng ra.

Điều chỉnh phần nhô ra của đĩa hãm (Hình 10)

Khi vận hành thông thường, kéo hết đĩa hãm về phía A. Khi đĩa hãm chạm vào các vật cản như tường hoặc những thứ tương tự tại thời điểm đã cưa xong, hãy nới lỏng hai vít và trượt đĩa hãm về phía B như trong hình.

Sau khi trượt đĩa hãm, cố định đĩa hãm bằng cách vặn chặt hai vít.

VẬN HÀNH

Cần phải giữ tối thiểu hai răng ngập trong vết cưa.

(Hình 11)

Chọn vị trí của phù hợp cho phôi của bạn bằng cách tham khảo hình vẽ. **(Hình 12)**

Cầm dụng cụ bằng cả hai tay như trong hình với đĩa hãm tiếp xúc với phôi và lưỡi của cách xa phôi.

(Hình 13)

Bật dụng cụ và chờ cho tới khi lưỡi của đạt đến tốc độ tối đa.

Nhẹ nhàng hạ thấp lưỡi của xuống đường cưa. Trọng lượng của dụng cụ hoặc việc hơi ấn nhẹ dụng cụ xuống sẽ cung cấp đủ áp lực cưa. Không dùng lực đối với dụng cụ này.

Khi cưa gần xong, giảm áp lực, không cần nâng hẳn, chỉ hơi nâng dụng cụ để dụng cụ không chạm vào phôi.

⚠ THẬN TRỌNG:

- Ấn quá mạnh dụng cụ hoặc lưỡi của bị xoắn có thể làm cho vết cưa bị xiên xẹo hoặc làm hỏng lưỡi của.
- Khi không sử dụng dụng cụ trong một thời gian dài, tháo lưỡi của khỏi dụng cụ.
- Nếu vận hành dụng cụ liên tục cho đến khi hết pin, hãy dừng dụng cụ khoảng 15 phút trước khi tiếp tục bằng pin mới.

DẦU CẮT

Khi cưa kim loại, hãy sử dụng sáp bôi trơn khi cưa của Makita làm dầu cắt. Để bôi sáp vào răng cưa, hãy khời động dụng cụ và cưa vào sáp như trong hình minh họa sau khi tháo nắp của sáp bôi trơn. **(Hình 14)**

⚠ THẬN TRỌNG:

- Không được sử dụng dầu cắt hoặc bôi quá nhiều sáp vào lưỡi của. Làm như vậy có thể khiến lưỡi của bị trượt hoặc đột ngột văng ra.
- Khi cưa gang, không sử dụng sáp bôi trơn khi cưa.

BẢO DƯỠNG

⚠ THẬN TRỌNG:

- Luôn chắc chắn rằng bạn đã tắt nguồn và tháo pin của dụng cụ ra trước khi thực hiện kiểm tra hoặc bảo trì.
- Không bao giờ dùng xăng, ét xăng, dung môi, cồn hoặc hóa chất tương tự. Có thể xảy ra hiện tượng mất màu, biến dạng hoặc nứt vỡ.

Vệ sinh

Sau khi sử dụng, lau sạch sáp, mặt và bụi bẩn khỏi dụng cụ, vành bánh xe và lưỡi của.

⚠ THẬN TRỌNG:

- Không được sử dụng các dung môi như dầu thông, xăng, sơn v.v... để vệ sinh các bộ phận bằng nhựa.
- Sáp và mặt trên vành bánh xe có thể khiến lưỡi của bị trượt hoặc đột ngột văng ra. Sử dụng vải khô để lau sáp và mặt khỏi vành bánh xe.

Thay vành bánh xe (Hình 15)

Khi lưỡi của bị trượt hoặc không chạy đúng cách do vành bánh xe bị quá mòn hoặc mép của vành bánh xe ở mặt động cơ bị hỏng thì cần phải thay vành mới.

Thay chổi than (Hình 16)

Tháo và kiểm tra chổi than thường xuyên. Thay chổi than khi chúng bị mòn dưới vạch giới hạn. Giữ chổi than sạch và tự do trượt vào các giá đỡ.

Cả hai chổi than nên được thay cùng một lúc. Chỉ sử dụng các chổi than giống nhau.

Sử dụng tua vít để tháo nắp chổi than. Lấy chổi than bị mòn ra, lắp các chổi than mới và cố định nắp chổi than. **(Hình 17)**

Để duy trì ĐỘ AN TOÀN và ĐỘ TIN CẬY của sản phẩm, việc sửa chữa, bảo dưỡng hoặc bất kỳ điều chỉnh nào khác đều phải do Trung tâm Bảo trì Được ủy quyền của Makita thực hiện, luôn sử dụng các bộ phận thay thế của Makita.

PHỤ KIỆN TỰY CHỌN

⚠ THẬN TRỌNG:

- Các phụ tùng hoặc phụ kiện này được khuyến nghị sử dụng với dụng cụ Makita của bạn được chỉ định trong tài liệu này. Việc sử dụng bất kỳ phụ tùng hoặc phụ kiện nào khác có thể dẫn đến rủi ro thương tích cho con người. Chỉ sử dụng phụ tùng hoặc phụ kiện với mục đích được nêu.

Nếu bạn cần bất kỳ sự hỗ trợ nào để biết thêm chi tiết về các phụ tùng này, hãy hỏi Trung tâm Bảo trì Makita tại địa phương của bạn.

- Lưỡi của bàn
- Cờ lê sáu cạnh số 4
- Sáp bôi trơn khi cưa
- Pin và bộ sạc chính hãng Makita

CHÚ Ý:

- Một số mục trong danh sách có thể được bao gồm trong gói dụng cụ làm các phụ kiện chuẩn. Các mục này ở mỗi quốc gia có thể khác nhau.

คำอธิบายของมุมมองทั่วไป

- | | | |
|-----------------------------|----------------------|-------------------------|
| 1. ดับเบตเตอร์ | 11. ส่วนที่ยื่นออกมา | 21. สกรู |
| 2. ปุ่ม | 12. คันโยก | 22. แผ่นจับระยะการหยุด |
| 3. ส่วนสีแดง | 13. ไบเลื่อย | 23. แวกซ์หล่อลื่น |
| 4. เครื่องหมายรูปดาว | 14. ดับลูกปืน | 24. ล้อยาง |
| 5. ปุ่มล็อคคอป | 15. มือจับด้านบน | 25. ขอบ |
| 6. สวิตช์สั่งงาน | 16. มือจับด้านล่าง | 26. เครื่องหมายขีดจำกัด |
| 7. ตัวหมุนปรับระดับความเร็ว | 17. จานหมุน | 27. ไชควง |
| 8. ไฟสัญญาณ | 18. กัด | 28. ฝาปิดช่องใส่แปรง |
| 9. ขึ้นให้แน่น | 19. ตัวนำไบเลื่อย | |
| 10. คลายออก | 20. ร่อง | |

ข้อมูลทางเทคนิค

รุ่น		DPB180
ความสามารถในการตัดสูงสุด	ชิ้นงานทรงกลม	120 มม. (เส้นผ่าศูนย์กลาง)
	ชิ้นงานรูปสี่เหลี่ยมผืนผ้า	120 มม. x 120 มม.
ความเร็วของไบเลื่อย		1.4 - 2.7 m/s
ขนาดไบเลื่อย	ความยาว	1,140 มม.
	ความกว้าง	13 มม.
	ความหนา	0.5 มม.
ขนาดทั้งหมด (ย x ก x ส)		523 มม. x 231 มม. x 313 มม.
น้ำหนักสุทธิ		6.5 กก.
อัตราแรงดันไฟฟ้า		D.C. 18 V

- เนื่องจากการวิจัยและการพัฒนาของเราเป็นแผนงานต่อเนื่อง ดังนั้นข้อมูลเทคนิคที่ระบุในเอกสารนี้อาจมีการเปลี่ยนแปลงโดยไม่ต้องแจ้งให้ทราบล่วงหน้า
- ข้อมูลเทคนิคและดัดแปลงอาจแตกต่างกันในแต่ละประเทศ
- น้ำหนักพร้อมแบตเตอรี่ตามข้อบังคับของ EPTA 01/2003

สัญลักษณ์

END004-6

ต่อไปนี้เป็นสัญลักษณ์ที่ใช้สำหรับอุปกรณ์ โปรดศึกษาความหมายของสัญลักษณ์ให้เข้าใจก่อนการใช้งาน



...อ่านคู่มือการใช้งาน

วัตถุประสงค์การใช้งาน

ENE009-1

เครื่องมือนี้ผลิตขึ้นเพื่อใช้ในการตัดวัสดุที่ทำจากไม้ พลาสติก และเหล็ก

คำเตือนด้านความปลอดภัยสำหรับเครื่องมือไฟฟ้าทั่วไป

GEA006-2

⚠ คำเตือน อ่านคำเตือนด้านความปลอดภัยและคำแนะนำทั้งหมด การไม่ปฏิบัติตามคำเตือนและคำแนะนำดังกล่าวอาจส่งผลให้เกิดไฟฟ้าช็อต ไฟไหม้ และ/หรือได้รับบาดเจ็บอย่างร้ายแรง

เก็บรักษาคำเตือนและคำแนะนำทั้งหมดไว้เป็นข้อมูลอ้างอิงในอนาคต

คำว่า "เครื่องมือไฟฟ้า" ในคำเตือนนี้ หมายถึง เครื่องมือไฟฟ้า (มีสาย) ที่ทำงานโดยใช้กระแสไฟฟ้า หรือเครื่องมือไฟฟ้า (ไร้สาย) ที่ทำงานโดยใช้แบตเตอรี่

ความปลอดภัยของพื้นที่ทำงาน

1. ดูแลพื้นที่ทำงานให้มีความสะอาดและมีแสงไฟสว่าง พื้นที่กระจกกระจกหรือมีดที่อาจนำไปสู่การเกิดอุบัติเหตุได้
2. อย่าใช้งานเครื่องมือไฟฟ้าในสภาพที่อาจเกิดการระเบิด เช่น ในสถานที่ที่มีของเหลว ก๊าซ หรือฝุ่นที่มีคุณสมบัติไวไฟ เครื่องมือไฟฟ้าจะสร้างประกายไฟเพื่อจุดชนวนฝุ่นผงหรือก๊าซดังกล่าว
3. ดูแลไม้ให้มีเล็ก ๆ หรือบุคคลอื่นอยู่ในบริเวณที่กำลังใช้เครื่องมือไฟฟ้า การมีสิ่งรบกวนสมาธิอาจทำให้คุณสูญเสียการควบคุม

ความปลอดภัยด้านไฟฟ้า

4. ปลั๊กของเครื่องมือไฟฟ้าต้องพอดีกับตัวรับ อย่าดัดแปลงปลั๊กไม่ว่ากรณีใดๆ อย่าใช้ปลั๊กอะแดปเตอร์กับเครื่องมือไฟฟ้าที่ต่อสายดิน (กราวด์) ปลั๊กที่ไม่ถูกดัดแปลงและตัวรับไฟที่เข้ากันพอดีจะช่วยลดความเสี่ยงของการเกิดไฟฟ้าช็อต
5. ระมัดระวังให้ร่างกายสัมผัสกับพื้นผิวที่ต่อสายดิน เช่น ท่อเครื่องทำความร้อน เครื่องใช้ไฟฟ้าในครัว และตู้เย็น มีความเสี่ยงที่จะเกิดไฟฟ้าช็อตสูงขึ้น หากร่างกายของคุณสัมผัสกับพื้น
6. อย่าให้เครื่องมือไฟฟ้าถูกน้ำหรืออยู่ในสภาพเปียกชื้น น้ำที่ไหลเข้าไปในเครื่องมือไฟฟ้าจะเพิ่มความเสี่ยงของการเกิดไฟฟ้าช็อต
7. อย่าใช้สายไฟอย่างไม่เหมาะสม อย่าใช้สายไฟเพื่อยก ดึง หรือ ถอดปลั๊กเครื่องมือไฟฟ้า เก็บสายไฟให้ห่างจากความร้อน น้ำมัน ของมีคม หรือชิ้นส่วนที่เคลื่อนที่ สายที่ชำรุดหรือพันกันจะเพิ่มความเสี่ยงของการเกิดไฟฟ้าช็อต
8. ขณะที่ใช้งานเครื่องมือไฟฟ้านอกอาคาร ควรใช้สายต่อพ่วงที่เหมาะสมกับงานภายนอกอาคาร การใช้สายที่เหมาะสมกับงานภายนอกอาคารจะลดความเสี่ยงของการเกิดไฟฟ้าช็อต
9. หากต้องใช้งานเครื่องมือไฟฟ้าในสถานที่เปียกชื้น ให้ใช้เครื่องตัดไฟฟ้าวิ่ง (GFCI) สำหรับป้องกันไฟดูด การใช้ GFCI จะลดความเสี่ยงของการเกิดไฟฟ้าช็อต

ความปลอดภัยส่วนบุคคล

10. ให้ระมัดระวัง และสังเกตเสมอว่าคุณกำลังทำอะไรอยู่ และใช้สามัญสำนึกในขณะที่ใช้งานเครื่องมือไฟฟ้า อย่าใช้งานเครื่องมือไฟฟ้าในขณะที่คุณกำลังเหนื่อยหรือในสภาพที่มีเมฆาจากยาเสพติด เครื่องดื่มแอลกอฮอล์ หรือการไต่ยา ชั่วขณะที่ขาดความระมัดระวังเมื่อกำลังใช้งานเครื่องมือไฟฟ้าอาจทำให้คุณได้รับบาดเจ็บอย่างรุนแรง
11. ใช้อุปกรณ์ป้องกันส่วนบุคคล สวมแว่นตาป้องกันเสมอ อุปกรณ์ป้องกัน เช่น หน้ากากกันฝุ่น รองเท้ากันภัยกันสั่น

หมวกนิรภัย หรือเครื่องป้องกันการได้ยินที่ใช้ในสภาพที่เหมาะสมจะช่วยลดการบาดเจ็บ

12. ป้องกันไม่ให้เปิดใช้งานอย่างไม่ตั้งใจ ตรวจสอบว่าสวิตช์อยู่ในตำแหน่งปิดก่อนเชื่อมต่อกับแหล่งจ่ายไฟ และ/หรือชุดแบตเตอรี่ หรือก่อนการยกหรือถือเครื่องมือ การถอดน๊อตบริเวณสวิตช์เพื่อถือเครื่องมือไฟฟ้า หรือการชาร์จไฟเครื่องมือไฟฟ้าในขณะที่เปิดสวิตช์อยู่อาจนำไปสู่การเกิดอุบัติเหตุ
13. นำกฎแจบรับแต่งหรือประแจออกก่อนที่จะเปิดเครื่องมือไฟฟ้า ประแจหรือกฎแจบที่เสียบค้างอยู่ในชิ้นส่วนที่หมุนได้ของเครื่องมือไฟฟ้าอาจทำให้คุณได้รับบาดเจ็บ
14. อย่าทำงานในระยะที่ใกล้อิมมู จักรกการขึ้นและการทรงตัวให้เหมาะสมตลอดเวลา เพราะจะทำให้ควบคุมเครื่องมือไฟฟ้าได้ดีขึ้นในสถานการณ์ที่ไม่คาดคิด
15. แต่งกายให้เหมาะสม อย่าสวมเครื่องแต่งกายที่หลวมเกินไป หรือสวมเครื่องประดับ ดูแลไม่ให้เส้นผม เสื้อผ้า และถุงมืออยู่ใกล้ชิ้นส่วนที่เคลื่อนที่ เสื้อผ้า ร่ม ร่ม เครื่องประดับ หรือผมที่มีความยาวอาจเข้าไปติดในชิ้นส่วนที่เคลื่อนที่
16. หากมีการจัดอุปกรณ์สำหรับคุณและจัดเก็บฝุ่นไว้ในสถานที่ ให้ตรวจสอบว่าได้เชื่อมต่อและใช้งานอุปกรณ์นั้นอย่างเหมาะสม การใช้เครื่องดูดและจัดเก็บฝุ่นจะช่วยลดอันตรายที่เกิดจากฝุ่นผงได้

การใช้และดูแลเครื่องมือไฟฟ้า

17. อย่าฝืนใช้เครื่องมือไฟฟ้า ใช้เครื่องมือไฟฟ้าที่เหมาะสมกับการใช้งานของคุณ เครื่องมือไฟฟ้าที่เหมาะสมจะทำให้ได้งานที่มีประสิทธิภาพและปลอดภัยกว่าตามขีดความสามารถของเครื่องที่ได้รับการออกแบบมา
18. อย่าใช้เครื่องมือไฟฟ้า หากสวิตช์ไม่สามารถเปิดปิดได้ เครื่องมือไฟฟ้าที่ใช้สวิตช์ควบคุมไม่ได้จัดเป็นอันตรายและต้องได้รับการซ่อมแซม
19. ถอดปลั๊กจากแหล่งจ่ายไฟ และ/หรือชุดแบตเตอรี่ ออกจากเครื่องมือไฟฟ้าก่อนทำการปรับแต่ง เปลี่ยนอุปกรณ์เสริม หรือจัดเก็บเครื่องมือไฟฟ้า วิธีการป้องกันด้านความปลอดภัยดังกล่าวจะช่วยลดความเสี่ยงของการเปิดใช้งานเครื่องมือไฟฟ้าอย่างไม่ตั้งใจ
20. จัดเก็บเครื่องมือไฟฟ้าที่ไม่ได้ใช้งานให้ห่างจากมือเด็ก และอย่าอนุญาตให้บุคคลที่ไม่คุ้นเคยกับเครื่องมือไฟฟ้า หรือคำแนะนำเหล่านี้ใช้งานเครื่องมือไฟฟ้า เครื่องมือไฟฟ้าจะเป็นอันตรายเมื่ออยู่ในมือของผู้ที่ไม่ได้รับการฝึกอบรม
21. การดูแลเครื่องมือไฟฟ้า ตรวจสอบการประกอบหรือการเชื่อมต่อของชิ้นส่วนที่เคลื่อนที่ที่ไม่ถูกต้อง การแตกหักของชิ้นส่วน หรือสภาพอื่นๆ ที่อาจส่งผลกระทบต่อการทำงานของเครื่องมือไฟฟ้า หากมีความเสียหายให้นำเครื่องมือไฟฟ้าไปซ่อมแซมก่อนการใช้งาน

- อุบัติเหตุจำนวนมากเกิดจากการดูแลรักษาเครื่องมือไฟฟ้าอย่างไม่ถูกต้อง
22. **ลดความคมและทำความสะอาดเครื่องมือการตัดอยู่เสมอ** เครื่องมือการตัดที่มีการดูแลอย่างถูกต้องและมีขอบการตัดคมมักจะมีความปลอดภัยน้อยและควบคุมได้ง่ายกว่า
 23. **ใช้เครื่องมือไฟฟ้า อุปกรณ์เสริม และวัสดุสิ้นเปลือง** ฯลฯ ตามคำแนะนำดังกล่าว พิจารณาสภาพการทำงานและงานที่จะลงมือทำ การใช้เครื่องมือไฟฟ้าเพื่อทำงานอื่นนอกเหนือจากที่กำหนดไว้อาจทำให้เกิดอันตราย

การใช้และการดูแลเครื่องมือที่ใช้แบตเตอรี่

24. **ชาร์จไฟด้วยแท่นชาร์จที่ระบุโดยผู้ผลิตเท่านั้น** แท่นชาร์จที่ใช้งานได้กับชุดแบตเตอรี่ประเภทหนึ่งอาจมีความเสี่ยงในการเกิดไฟไหม้ขึ้นเมื่อใช้กับชุดแบตเตอรี่ประเภทอื่น
25. **ใช้เครื่องมือไฟฟ้ากับชุดแบตเตอรี่ที่ได้รับการออกแบบมาโดยเฉพาะ** การใช้ชุดแบตเตอรี่ประเภทอื่นอาจทำให้ได้รับบาดเจ็บและเกิดไฟไหม้ได้
26. **เมื่อไม่ได้ใช้งานชุดแบตเตอรี่ ให้เก็บไว้ในห่างจากวัตถุโลหะอื่น ๆ เช่น คลิปหนีบกระดาษ เหยือก ญาญแจ ตะปู สกรู หรือวัตถุโลหะขนาดเล็กอื่นๆ** ที่อาจทำการเชื่อมตอจากขั้วหนึ่งไปยังอีกขั้วหนึ่ง การลัดวงจรขั้วแบตเตอรี่ทั้งสองด้านอาจทำให้ผิวหนังถูกลวกหรือไฟไหม้ได้
27. **ในสภาพที่เป็นอันตราย อาจมีของเหลวไหลออกมาจากแบตเตอรี่** อย่าสัมผัสของเหลวดังกล่าว หากสัมผัสโดยไม่ตั้งใจ ให้ไปล้างน้ำออก หากของเหลวนั้นสัมผัสกับดวงตา โปรดไปพบแพทย์เพื่อทำการรักษา ของเหลวที่ไหลออกมาจากแบตเตอรี่อาจทำให้เกิดการระคายเคืองหรือลวกผิวหนังได้

การบริการ

28. **นำเครื่องมือไฟฟ้าเข้ารับบริการจากช่างซ่อมที่ผ่านการรับรองโดยใช้อะไหล่แบบเดียวกันเท่านั้น** เพราะจะทำให้การใช้เครื่องมือไฟฟ้ามีความปลอดภัย
29. **ปฏิบัติตามคำแนะนำในการหล่อลื่นและการเปลี่ยนอุปกรณ์เสริม**
30. **ดูแลมือจับให้แห้ง สะอาด และไม่มันเยิ้มและจาระบีเปื้อน**

คำเตือนด้านความปลอดภัยของเลื่อยสายพานแบบพกพาไร้สาย

GEBO65-2

1. **ถือเครื่องมือบริเวณมือจับที่เป็นจนวนขณะทำงานที่เครื่องมือตัดอาจสัมผัสกับสายไฟที่ซ่อนอยู่** ชิ้นส่วนของเครื่องมือตัดที่สัมผัสกับสายไฟที่ "มีกระแสไฟฟ้าไหลผ่าน" อาจทำให้ส่วนที่เป็นโลหะของเครื่องมือไฟฟ้าที่ไม่มีฉนวนหุ้ม "มีกระแสไฟฟ้าไหลผ่าน" และทำให้ผู้ปฏิบัติงานถูกไฟฟ้าช็อตได้

2. **ใช้งานใบเลื่อยเฉพาะที่มีอยู่ใน "ข้อมูลทางเทคนิค" เท่านั้น**
3. **ตรวจสอบใบเลื่อยอย่างละเอียดว่ามีการกระแทกหรือชำรุดเสียหายหรือไม่ก่อนการใช้งาน** เปลี่ยนใบเลื่อยที่มอรอยร้าวหรือชำรุดเสียหายทันที
4. **ยึดชิ้นงานให้แน่นหนา** ในขณะที่ทำการตัดชิ้นงานจำนวนมากพร้อมกัน ให้ตรวจสอบว่าได้ยึดชิ้นงานทั้งหมดเข้าด้วยกันอย่างแน่นหนาแล้วก่อนทำการตัด
5. **การตัดชิ้นงานที่มีน้ำมันเคลือบอยู่อาจทำให้ใบเลื่อยหลุดออกมาอย่างไม่คาดคิด** เช็ดคราบน้ำมันที่ไหลล้นออกมาจากชิ้นงานให้หมดก่อนทำการตัด
6. **อย่าใช้น้ำมันสำหรับการตัดเป็นน้ำมันหล่อลื่น** ในขณะที่ทำการตัด ใช้แก๊ซหรือหล่อลื่นของ Makita เท่านั้น
7. **อย่าสวมถุงมือระหว่างการทำงาน**
8. **ถือเครื่องมืออย่างมั่นคงด้วยมือทั้งสองข้าง**
9. **ระวังอย่าให้มือสัมผัสกับชิ้นส่วนที่หมุนได้**
10. **เมื่อทำการตัดโลหะ ให้ระมัดระวังเศษโลหะร้อน ๆ ที่ปลิวออกมา**
11. **อย่าปล่อยให้เครื่องมือทำงานค้างไว้โดยไม่มีผู้ดูแล**
12. **ห้ามสัมผัสกับใบเลื่อยหรือชิ้นงานทันทีที่ทำงานเสร็จ** เนื่องจากใบเลื่อยหรือชิ้นงานอาจมีความร้อนสูงและลวกผิวหนังของคุณได้

เก็บรักษาคำแนะนำเหล่านี้ไว้

⚠ คำเตือน:

อย่าให้ความไม่ระมัดระวังหรือความคุ้นเคยกับผลิตภัณฑ์ (จากการใช้งานซ้ำหลายครั้ง) อยู่เหนือการปฏิบัติตามกฎเกณฑ์ด้านความปลอดภัยในการใช้งานผลิตภัณฑ์อย่างเคร่งครัด การปฏิบัติอย่างไม่เหมาะสมหรือการไม่ปฏิบัติตามกฎเกณฑ์ด้านความปลอดภัยในคู่มือการใช้งานนี้อาจก่อให้เกิดการบาดเจ็บอย่างรุนแรง

คำแนะนำด้านความปลอดภัยที่สำคัญ

ENC007-9

สำหรับดัลล์แบตเตอรี่

1. **ก่อนใช้งานดัลล์แบตเตอรี่ โปรดอ่านคำแนะนำและข้อควรระวังทั้งหมดที่ระบุอยู่ใน (1) แท่นชาร์จแบตเตอรี่ (2) แบตเตอรี่ และ (3) ผลิตภัณฑ์ที่ใช้แบตเตอรี่**
2. **อย่าใช้ดัลล์แบตเตอรี่ที่ถูกแยกชิ้นส่วน**
3. **หากอายุการใช้งานสั้นเกินไป ให้หยุดการทำงานทันที** เพราะอาจทำให้แบตเตอรี่มีความร้อนมากเกินไป อาจเป็นอันตรายจากการลวกผิวหนัง จนถึงเกิดการระเบิดขึ้นได้

4. หากอิเล็กทรอนิกส์เข้าสู่ดวงตา ให้ล้างน้ำออก แล้วไปพบแพทย์ทันที เพราะอาจทำให้ดวงตาของคุณสูญเสียการมองเห็นได้
5. อย่าลืมห่วงจรคัลด์แบดเตอร์:
 - (1) อย่าสัมผัสขั้วแบดเตอร์ที่มีวัสดุนำไฟฟ้า
 - (2) อย่าจัดเก็บคัลด์แบดเตอร์ในภาชนะที่มีวัสดุโลหะอื่นๆ เช่น ตะปู เหนียว ฯลฯ
 - (3) อย่าให้คัลด์แบดเตอร์ถูกน้ำหรือฝน
 แบดเตอร์ที่ลัดวงจรสามารถให้เกิดการไหลเวียนไฟฟ้าในปริมาณมาก มีความร้อนสูงเกินไป มีอันตรายจากการลวกผิวหนัง จนกระทั่งถึงการทำร้ายเสียหายได้
6. อย่าจัดเก็บเครื่องมือและคัลด์แบดเตอร์ในสถานที่ที่มีอุณหภูมิสูงเกินกว่า 50°C (122°F)
7. อย่านำคัลด์แบดเตอร์ไปเผา แม้ว่าตัวแบดเตอร์จะเสียหายมาก หรือเสื่อมสภาพอย่างสิ้นเชิง เพราะคัลด์แบดเตอร์อาจจะเปิดในกองไฟ
8. รมีครวงจรอย่างทำให้แบดเตอร์ร่วงหล่นหรือได้รับการกระทบ
9. อย่าใช้งานอุปกรณ์เสริมที่ชำรุดเสียหาย
10. ปฏิบัติตามข้อกำหนดในท้องถิ่นเกี่ยวกับการทิ้งแบดเตอร์ของท่าน

เก็บรักษาคำแนะนำเหล่านี้ไว้

เคล็ดลดับในการดูแลรักษาแบดเตอร์ให้มีอายุการใช้งานสูงสุด

1. ชาร์จคัลด์แบดเตอร์ก่อนที่จะคายประจุออกจนหมด ให้หยุดการทำงานของเครื่องและชาร์จคัลด์แบดเตอร์ก่อนเสมอเมื่อคุณสังเกตเห็นพลังงานของเครื่องมีน้อยลง
2. อย่าชาร์จคัลด์แบดเตอร์ที่มีพลังงานเต็มแล้ว การชาร์จคัลด์แบดเตอร์มากเกินไปจะทำอายุการใช้งานของแบดเตอร์สั้นลง
3. ชาร์จคัลด์แบดเตอร์ในอุณหภูมิห้องระหว่าง 10°C - 40°C (50°F - 104°F) ปล่อยให้คัลด์แบดเตอร์ที่มีความร้อนเย็นลงก่อนที่จะชาร์จ
4. ชาร์จคัลด์แบดเตอร์ถ้าท่านไม่ได้ใช้เป็นเวลานาน (มากกว่า 6 เดือน)

คำอธิบายการใช้งาน

⚠ ข้อควรระวัง:

- ตรวจสอบว่าปิดสวิตช์เครื่องและถอดคัลด์แบดเตอร์ออกก่อนทำการปรับเปลี่ยนหรือตรวจสอบการทำงานของเครื่อง

การประกอบหรือการถอดคัลด์แบดเตอร์ (ภาพที่ 1)

⚠ ข้อควรระวัง:

- ปิดสวิตช์เครื่องทุกครั้งก่อนใส่หรือถอดคัลด์แบดเตอร์
- ถือเครื่องมือและคัลด์แบดเตอร์ให้แน่นในขณะที่ประกอบหรือถอดคัลด์แบดเตอร์ ภาชนะที่ถือเครื่องมือและคัลด์แบดเตอร์ให้แน่นอาจทำให้อุปกรณ์ดังกล่าวลื่นหลุดจากมือของคุณ ซึ่งจะให้เครื่องมือและคัลด์แบดเตอร์ที่ชำรุดเสียหายและเกิดการบาดเจ็บได้

ในการถอดคัลด์แบดเตอร์ ให้ถอดคัลด์แบดเตอร์ออกจากเครื่องโดยการเลื่อนปุ่มที่ด้านหน้าของคัลด์แบดเตอร์

ในการใส่คัลด์แบดเตอร์ ให้จัดแนวลิ้นของคัลด์แบดเตอร์ให้ตรงกับร่องในฝาครอบเครื่องและเลื่อนให้เข้าที่ ใส่แบดเตอร์เข้าไปจนสุด จนกว่าจะล็อกเข้าที่สนิทโดยจะได้ยินเสียงดังคลิกเบาๆ หากคุณยังมองเห็นส่วนสีแดงที่อยู่ด้านบนของปุ่ม แสดงว่ายังไม่ล็อกไม่เข้าที่

⚠ ข้อควรระวัง:

- ใส่คัลด์แบดเตอร์เข้าไปจนสุดจนกว่าจะมองเห็นส่วนสีแดงเสมอ มิฉะนั้น แบดเตอร์อาจร่วงหล่นออกจากเครื่องอย่างไม่ตั้งใจและทำให้คุณหรือบุคคลอื่นที่อยู่รอบๆ ได้รับบาดเจ็บได้
- อย่าฝืนใส่คัลด์แบดเตอร์ หากคัลด์แบดเตอร์เลื่อนเข้าไปได้ลำบาก อาจเป็นเพราะใส่แบดเตอร์ไม่ถูกต้อง

ระบบการป้องกันแบดเตอร์ (แบดเตอร์ลิเทียมไอออนที่มีเครื่องหมายรูปดาว) (ภาพที่ 2)

แบดเตอร์ลิเทียมไอออนที่มีเครื่องหมายรูปดาวจะมีระบบการป้องกันติดตั้งอยู่ ระบบนี้จะตัดกระแสไฟฟ้าไปยังเครื่องมือไอออนต์ในมิติเพื่อยืดอายุการใช้งานแบดเตอร์

เครื่องมืออาจหยุดลงระหว่างการทำงาน เมื่อเครื่องมือและ/หรือแบดเตอร์อยู่ภายใต้สถานการณ์ต่อไปนี้:

- ทำงานหนักเกินกำลัง: เครื่องมือถูกใช้งานในลักษณะที่ก่อให้เกิดการดึงกระแสไฟฟ้าสูงผิดปกติ ในสถานการณ์นี้ ปลั๊กไฟสวิตช์บนเครื่องมือจะหยุดการใช้งานที่ทำให้เครื่องมือต้องทำงานหนักเกินกำลัง จากนั้นดีสวิตซ์อีกครั้งเพื่อเริ่มการทำงานใหม่ หากเครื่องมือไม่เริ่มต้นทำงาน แสดงว่าแบดเตอร์มีความร้อนสูงเกินไป หากเกิดเหตุการณ์ดังกล่าว ควรทิ้งแบดเตอร์ให้เย็นลงก่อนดีสวิตซ์สั่งงานอีกครั้ง
- แรงดันแบดเตอร์ต่ำ: ความจุแบดเตอร์เหลือน้อยเกินไป และเครื่องมือจะไม่ทำงานในสถานการณ์นี้ ให้ถอดและเปลี่ยนแบดเตอร์

การทำงานของสวิตช์ (ภาพที่ 3)

⚠️ ข้อควรระวัง:

- ก่อนใส่ดัลบแบบเตอร์เข้าไปในเครื่อง ให้ตรวจสอบทุกครั้งว่า สวิตช์สั่งงานทำงานปกติและกลับมาสูดตำแหน่ง "ปิด" เมื่อปล่อยไกหรือไม่

เพื่อป้องกันไม่ให้สวิตช์สั่งงานถูกดึงอย่างไม่ตั้งใจ จึงมีการติดตั้งปุ่มล็อคคอปเอาไว้

ในการเริ่มต้นใช้งานเครื่องมือ ให้กดปุ่มล็อคคอปจากด้าน B และดึงสวิตช์สั่งงาน

ปล่อยสวิตช์สั่งงานเพื่อหยุดการทำงาน หลังจากการใช้งาน ให้กดปุ่มล็อคคอปจากด้าน A ทุกครั้ง

ตัวหมุนปรับระดับความเร็ว (ภาพที่ 4)

สามารถปรับระดับความเร็วของเครื่องได้ตั้งแต่ 1.4 m/s จนถึง

2.7 m/s โดยการหมุนตัวหมุนปรับระดับความเร็ว ความเร็วจะสูงขึ้น

เมื่อหมุนตัวหมุนปรับระดับไปทางหมายเลข 6 และความเร็วจะ

ต่ำลงเมื่อหมุนตัวหมุนปรับระดับไปทางหมายเลข 1

เลือกความเร็วที่เหมาะสมกับชิ้นงานที่จะตัด

⚠️ ข้อควรระวัง:

- ตัวหมุนปรับระดับความเร็วสามารถหมุนได้มากที่สุดที่เลข 6 และต่ำสุดที่เลข 1 เท่านั้น อย่าฝืนหมุนจนเกินเลข 6 หรือ 1 มิฉะนั้นฟังก์ชันการปรับระดับความเร็วอาจไม่สามารถใช้งานได้อีกต่อไป

การเปิดสวิตช์ไฟสัญญาณ (ภาพที่ 5)

⚠️ ข้อควรระวัง:

- อย่าให้ไฟสัญญาณได้รับแรงกระแทกซึ่งอาจทำให้เกิดการชำรุดเสียหายหรืออายุการใช้งานสั้นลง

ดึงสวิตช์สั่งงานเพื่อเปิดไฟสัญญาณ ไฟสัญญาณจะยังคงติดอยู่ใน

ขณะที่ดึงสวิตช์สั่งงาน ไฟสัญญาณจะดับลงหลังจากปล่อยไกประมาณ 10 - 15 วินาที

หมายเหตุ:

- ใช้ผ้าแห้งเช็ดคราบสกปรกที่เลนส์ของไฟสัญญาณออก ระวังอย่าให้เลนส์ของไฟสัญญาณมีรอยขีดข่วน มิฉะนั้นอาจทำให้แสงมีวอลงได้
- อย่าใช้ทินเนอร์หรือน้ำมันเชื้อเพลิงทำความสะอาดไฟสัญญาณ ตัวทำละลายดังกล่าวอาจทำให้ไฟสัญญาณชำรุดเสียหาย
- เมื่อเครื่องมือทำงานหนักเกินไปในขณะที่ใช้งาน ไฟสัญญาณจะกะพริบ
- หากความจุแบตเตอรี่คงเหลือเริ่มน้อยลง ไฟสัญญาณจะกะพริบ

การประกอบชิ้นส่วน

⚠️ ข้อควรระวัง:

- ตรวจสอบว่าปิดสวิตช์เครื่องและถอดดัลบแบบเตอร์ออกเสมอ ก่อนที่จะใช้งานใดๆ กับเครื่อง

การประกอบหรือการนำไปเสียบออก

⚠️ ข้อควรระวัง:

- นำมันบนใบเลื่อยอาจเป็นสาเหตุให้ใบเลื่อยลื่นไถลหรือหลุดออกมาอย่างไม่คาดคิด ใช้ผ้าเช็ดครบน้ำมันที่ไหลล้นออกมา ก่อนการประกอบใบเลื่อย

ใช้ความระมัดระวังในขณะที่ทำงานกับใบเลื่อยเพื่อไม่ให้คุณถูกขอบที่มีคมของฟันเลื่อยบาด

หมุนคันโยกขึ้นใบเลื่อยตามเข็มนาฬิกาจนกว่าคันโยกจะชนเข้ากับส่วนที่ยื่นออกมาบนโครงเลื่อย (ภาพที่ 6)

จัดทิศทางของลูกศรบนใบเลื่อยให้ตรงกับตำแหน่งของลูกศรบนจานหมุน (ภาพที่ 7)

สอดใบเลื่อยระหว่างดัลบกับปืนของมือจับด้านบนก่อน จากนั้นจึงสอดเข้าไปในมือจับด้านล่าง ด้านหลังของใบเลื่อยควรสัมผัสกับ

ดัลบลูกปืนในส่วนกลางของมือจับด้านบนและมือจับด้านล่าง จัดตำแหน่งใบเลื่อยรอบๆ จานหมุน และเสียบใบเลื่อยอีกด้านหนึ่ง

เข้าไปข้างในมือจับด้านบนและมือจับด้านล่างจนกว่าส่วนหลังของใบเลื่อยจะสัมผัสกับของส่วนท้ายของมือจับด้านบนและมือจับ

ด้านล่าง (ภาพที่ 8 และ 9)

ใส่ใบเลื่อยเข้าในร่องในตัวนำใบเลื่อย

จับใบเลื่อยให้เข้าที่และหมุนคันโยกขึ้นใบเลื่อยทวนเข็มนาฬิกา จนกว่าคันโยกจะชนเข้ากับส่วนที่ยื่นออกมาบนโครงเลื่อย วิธีนี้จะ

ทำให้ใบเลื่อยมีความตึงที่เหมาะสม ตรวจสอบว่าใบเลื่อยอยู่ในตำแหน่งที่ถูกต้องภายในเครื่องป้องกันใบเลื่อยและรอบๆ จานหมุน

เริ่มต้นและหยุดการทำงานของเครื่องมือสองหรือสามครั้งเพื่อให้มันแน่ใจว่าใบเลื่อยทำงานบนจานหมุนอย่างเหมาะสม

⚠️ ข้อควรระวัง:

- ขณะที่ตรวจสอบว่าใบเลื่อยทำงานบนจานหมุนอย่างเหมาะสม ระวังให้ร่างกายของคุณอยู่ห่างจากพื้นที่การทำงานของใบเลื่อย ในการถอดใบเลื่อยออก ให้ปฏิบัติตามขั้นตอนการประกอบในด้านที่ตรงกันข้าม

⚠️ ข้อควรระวัง:

- เมื่อหมุนคันโยกขึ้นใบเลื่อยตามเข็มนาฬิกาเพื่อคลายความตึงของใบเลื่อย ให้หันหัวของเครื่องมือลงด้านล่างเพราะใบเลื่อยอาจหลุดออกมาอย่างไม่คาดคิด

การปรับส่วนที่ยื่นออกมาของแผ่นจับระยะ

การหยุด (ภาพที่ 10)

ในการทำงานปกติ ให้ดันแผ่นจับระยะการหยุดให้ยื่นออกมาทางด้าน A จนสุด เมื่อแผ่นจับระยะการหยุดชนเข้ากับสิ่งกีดขวาง

เช่น ผนังหรือสิ่งที่มีลักษณะใกล้เคียงกันเมื่อทำการตัดเสร็จสิ้น ให้คลายเกลียวสกรูทั้งสองตัวและเลื่อนแผ่นจับระยะการหยุดไป

ทางด้าน B ตามภาพ หลังจากเลื่อนแผ่นจับระยะการหยุดแล้ว ให้ขันสกรูสองตัวเพื่อยึดแผ่นให้แน่นหนา

การทำงาน

ควรให้พื้นเลื่อยอย่างน้อยสองซี่อยู่ในรอยตัด (ภาพที่ 11)
เลือกตำแหน่งการตัดที่เหมาะสมกับชิ้นงานของคุณโดยดูตามภาพ (ภาพที่ 12)

ใช้มือทั้งสองข้างถือเครื่องมือได้ตามที่แสดงในภาพโดยให้แผ่นจับ
ระยะการหยุดสัมผัสกับชิ้นงานและใบมีดไม่สัมผัสกับชิ้นงาน (ภาพที่ 13)

เปิดเครื่องมือและรอกจนกว่าใบเลื่อยทำงานที่ความเร็วสูงสุด
ค่อยๆ กดใบเลื่อยเข้าไปในรอยตัด ด้วยน้ำหนักของเครื่องมือหรือ
การกดเครื่องมือลงเล็กน้อยก็เพียงพอที่จะให้แรงดันที่เหมาะสม
ต่อการตัด อย่าฝืนใช้งานเครื่องมือ

เมื่อคุณได้ตัดงานเสร็จเรียบร้อยแล้ว ให้ผ่อนแรงดันโดยไม่ต้องยก
เครื่องมือขึ้นจริงๆ แต่ให้ยกเครื่องขึ้นเล็กน้อยเพื่อให้เครื่องตก
ไปกระทบกับชิ้นงาน

⚠ ข้อควรระวัง:

- การใช้แรงกดเครื่องมือมากเกินไป หรือการบิดงอของใบเลื่อย
อาจทำให้การตัดเป็นมุมเอียงหรือทำให้ใบเลื่อยชำรุดเสียหาย
- เมื่อไม่ได้งานเครื่องมือเป็นระยะเวลานาน ให้ถอดใบเลื่อยออก
จากเครื่องมือ
- หากมีการใช้งานเครื่องมือต่อเนื่องจนกระทั่งกลับแบตเตอรี่คาย
ประจุออกจนหมด ให้พักเครื่องมือทิ้งไว้ประมาณ 15 นาทีก่อนที่
จะใช้งานเครื่องมือด้วยแบตเตอรี่ใหม่

น้ำมันในการหล่อลื่น

เมื่อทำการตัดโลหะ ให้ใช้แวกซ์หล่อลื่นของ Makita เป็นน้ำมัน
ในการหล่อลื่น ในการใช้แวกซ์หล่อลื่นกับพื้นเลื่อย ให้เปิดใช้งาน
เครื่องมือและตัดเข้าไปในแวกซ์หล่อลื่นตามที่แสดงในภาพ
หลังจากเปิดฝาของแวกซ์หล่อลื่นออกแล้ว (ภาพที่ 14)

⚠ ข้อควรระวัง:

- อย่าใช้น้ำมันสำหรับการตัดหรือใช้แวกซ์หล่อลื่นกับใบเลื่อยใน
ปริมาณมากเกินไป เพราะอาจทำให้ใบเลื่อยสั่นไถลหรือหลุด
ออกมาอย่างไม่คาดคิด
- เมื่อทำการตัดเหล็กหล่อ อย่านำแวกซ์หล่อลื่น

การดูแลรักษา

⚠ ข้อควรระวัง:

- ตรวจสอบว่าปิดสวิตช์เครื่องและถอดกลับแบตเตอรี่ออกแล้ว
ก่อนทำการตรวจสอบหรือดูแลรักษาเครื่อง
- อย่าใช้น้ำมันเชื้อเพลิง เบนซิน ทินเนอร์ แอลกอฮอล์ หรือวัสดุ
ประเภทเดียวกัน เพราะอาจทำให้เครื่องมือสัติช็อคจน ฝิดรูปทรง
หรือแตกหักได้

การทำความสะอาด

หลังจากใช้งาน ให้เช็ดแวกซ์ เศษชิ้นงาน และฝุ่นผงออกจาก
เครื่องมือ ล้างอย่างสะอาดจนหมูนและใบเลื่อย

⚠ ข้อควรระวัง:

- อย่าใช้สารทำลายลาย เช่น น้ำมันสน น้ำมันเชื้อเพลิง
แล็คเกอร์ ฯลฯ เพื่อทำความสะอาดชิ้นส่วนที่เป็นพลาสติก
- แวกซ์และเศษชิ้นงานบนล้อย่างอาจทำให้ใบเลื่อยสั่นไถลและ
หลุดออกมาอย่างไม่คาดคิด ใช้ผ้าแห้งเช็ดแวกซ์และเศษชิ้นงาน
ออกจากล้อย่าง

การเปลี่ยนล้อย่างของจานหมุน (ภาพที่ 15)

เมื่อใบเลื่อยสั่นหลุดหรือไม่อยู่ในตำแหน่งที่เหมาะสมเนื่องจาก
ล้อย่างสึกหรอมาก หรือขอบของล้อย่างทางด้านข้างมอเตอร์
ชำรุดเสียหาย ควรเปลี่ยนล้อย่างใหม่

การเปลี่ยนแปรงถ่าน (ภาพที่ 16)

ถอดและตรวจสอบแปรงถ่านเป็นประจำ เปลี่ยนแปรงใหม่
หากแปรงสึกถึงลงไปถึงเครื่องหมายขีดจำกัด รักษาความสะอาด
ของแปรงถ่าน และตรวจสอบว่าสามารถใส่ลงในช่องใส่แปรงได้
ควรเปลี่ยนแปรงถ่านใหม่พร้อมกันเป็นคู่ๆ ใช้แปรงถ่านลักษณะ
เหมือนกันเท่านั้น

ใช้ไขควงถอดฝาปิดช่องใส่แปรงออก นำแปรงถ่านที่สึกหรอแล้ว
ออกมา ใส่แปรงถ่านใหม่เข้าไป และปิดฝาปิดช่องใส่แปรงให้เข้าที่
(ภาพที่ 17)

เพื่อลดให้ผลิตภัณฑ์มีความปลอดภัยและไว้วางใจได้ ควรนำส่ง
ผลิตภัณฑ์ให้แก่ศูนย์บริการที่ได้รับอนุญาตของ Makita ดำเนินการ
ซ่อมแซม ดูแลรักษา หรือเปลี่ยนอะไหล่ และใช้อะไหล่แท้ของ
Makita เท่านั้น

อุปกรณ์เสริม

⚠ ข้อควรระวัง:

- ขอแนะนำให้อุปกรณ์เสริมหรือส่วนประกอบเหล่านี้กับเครื่องมือ
Makita ของคุณตามที่ระบุในคู่มือนี้ การใช้อุปกรณ์เสริมหรือ
ส่วนประกอบอื่นอาจทำให้ผู้ใช้ได้รับบาดเจ็บ ใช้อุปกรณ์เสริม
หรือส่วนประกอบตามที่ระบุไว้เท่านั้น

หากคุณต้องการทราบรายละเอียดเกี่ยวกับอุปกรณ์เสริม
ดังกล่าว โปรดสอบถามศูนย์บริการของ Makita ในพื้นที่ของคุณ

- ใบเลื่อยสายพาน
- ประแจหกเหลี่ยม 4
- แวกซ์หล่อลื่น
- แบตเตอรี่และแท่นชาร์จของแท้ของ Makita

หมายเหตุ:

- อุปกรณ์เสริมบางรายการอาจเป็นอุปกรณ์เสริมมาตรฐานที่
รวมอยู่ในชุดเครื่องมือแล้ว ทั้งนี้ อาจมีความแตกต่างกันในแต่ละ
ประเทศ

Makita Corporation
3-11-8, Sumiyoshi-cho,
Anjo, Aichi 446-8502 Japan

885296C379

www.makita.com

ALA