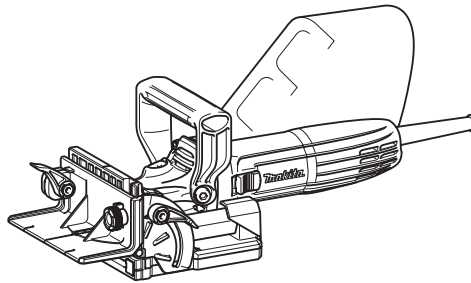




<b>EN</b>	Plate Joiner	INSTRUCTION MANUAL	6
<b>ZHCN</b>	木工接合机	使用说明书	11
<b>ID</b>	Penyambung Pelat	PETUNJUK PENGGUNAAN	17
<b>MS</b>	Penanggam Plat	MANUAL ARAHAN	23
<b>VI</b>	Máy Ghép Mộng Cầm Tay Hoạt Động Bằng Bằng Động Cơ Điện	TÀI LIỆU HƯỚNG DẪN	29
<b>TH</b>	เครื่องเซาะร่อง	คู่มือการใช้งาน	34

## PJ7000



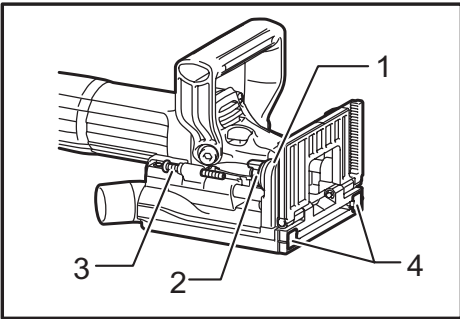


Fig.1

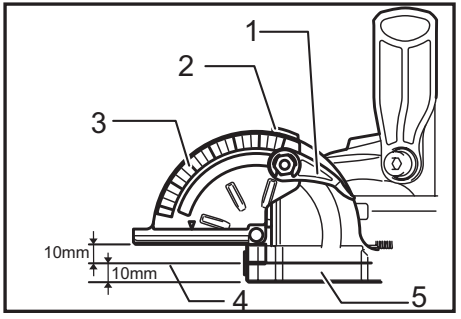


Fig.5

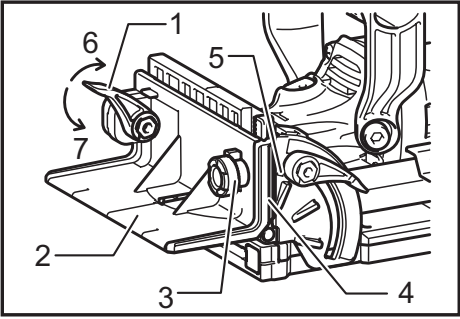


Fig.2

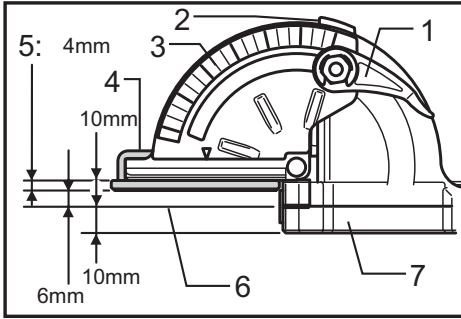


Fig.6

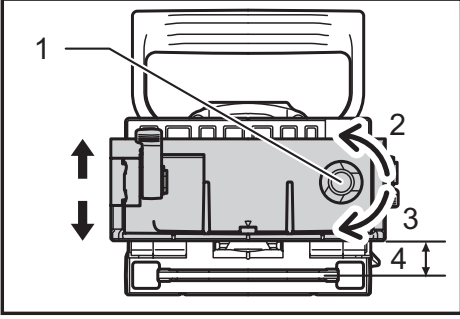


Fig.3

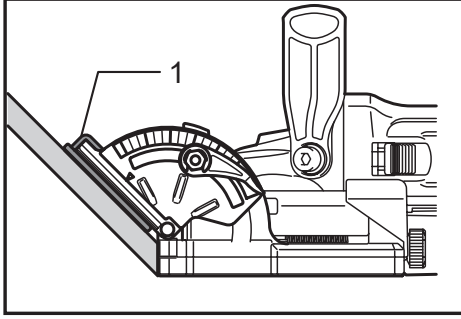


Fig.7

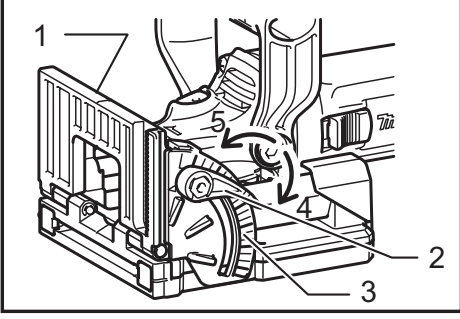


Fig.4

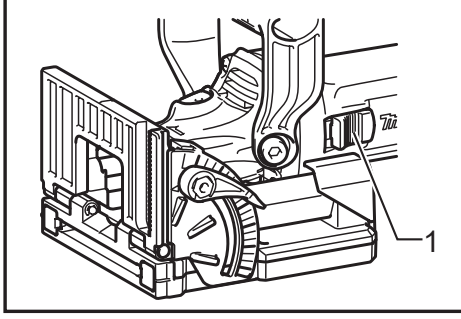


Fig.8

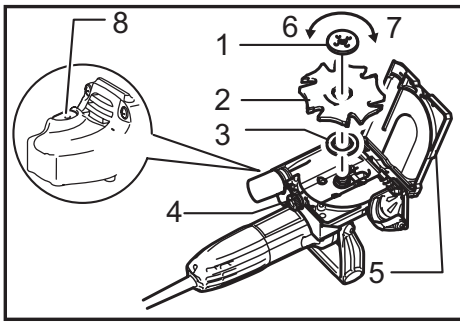


Fig.9

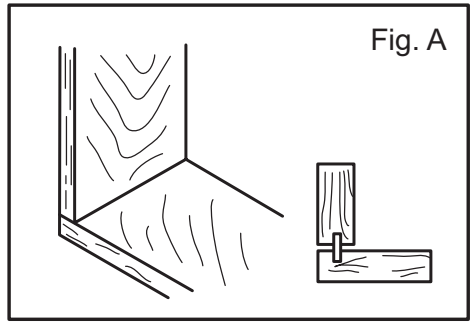


Fig.13

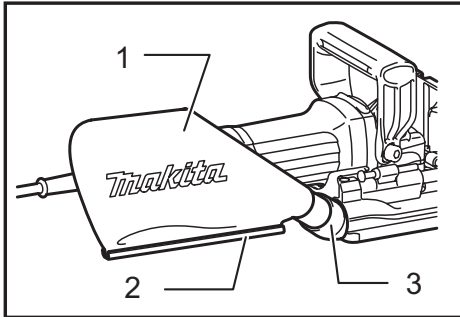


Fig.10

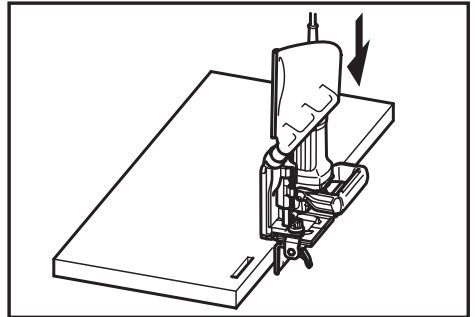


Fig.14

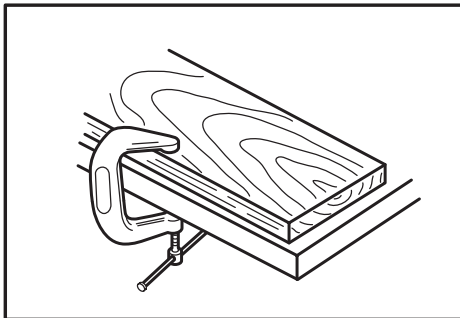


Fig.11

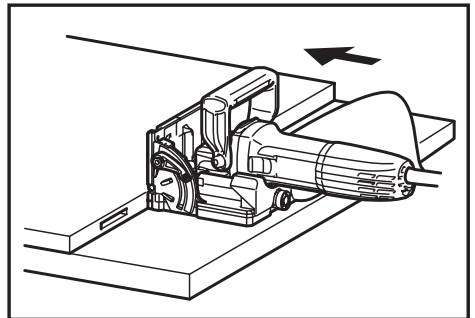


Fig.15

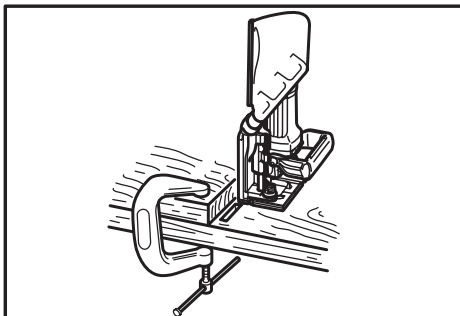


Fig.12

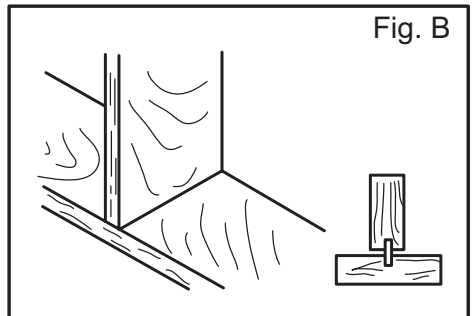


Fig.16

Fig. A

Fig. B

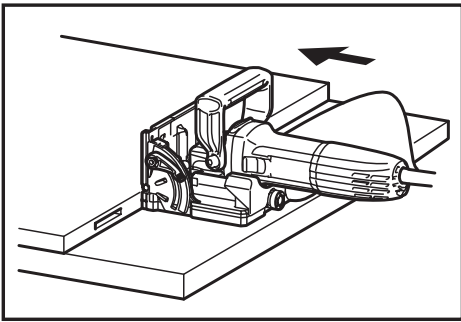


Fig.17

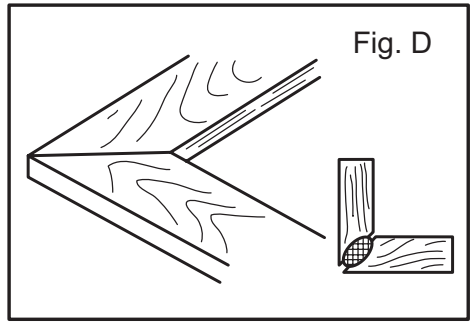


Fig.21

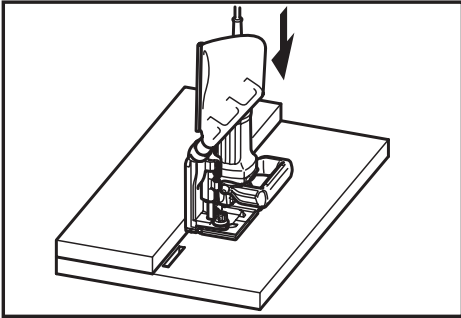


Fig.18

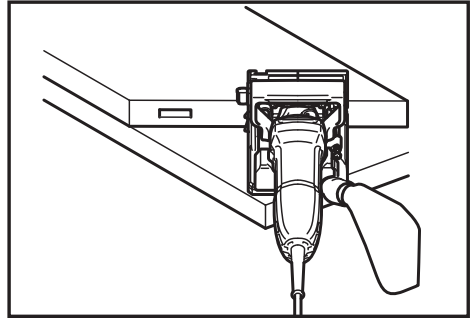


Fig.22

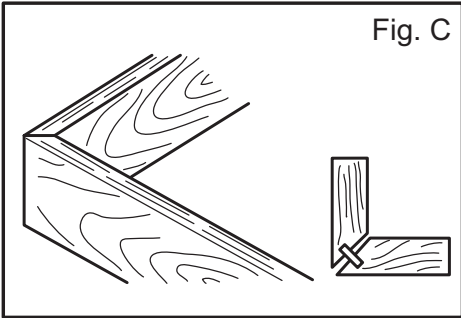


Fig.19

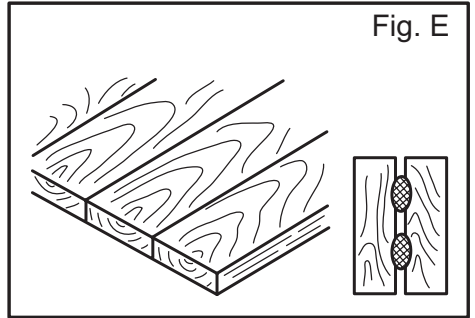


Fig.23

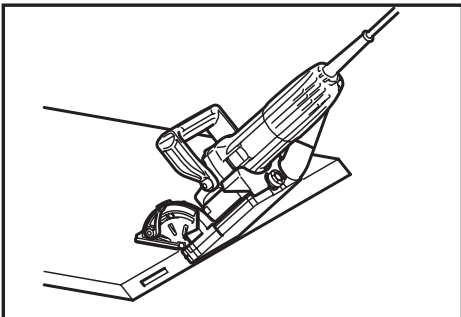


Fig.20

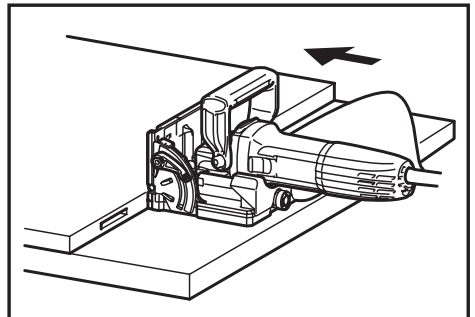


Fig.24

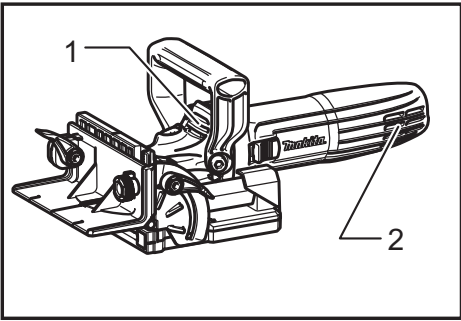


Fig.25

# SPECIFICATIONS

Model		PJ7000
Type of blade		Plate joiner
Max. grooving depth	Plate joiner blade	20 mm
No load speed (min <sup>-1</sup> )		11,000
Overall length		302 mm
Net weight		2.5 kg
Safety class		□/II

- Due to our continuing programme of research and development, the specifications herein are subject to change without notice.
- Specifications may differ from country to country.
- Weight according to EPTA-Procedure 01/2003

## Symbols

The following show the symbols used for the equipment. Be sure that you understand their meaning before use.



Read instruction manual.



DOUBLE INSULATION



Only for EU countries  
Do not dispose of electric equipment together with household waste material! In observance of the European Directive, on Waste Electric and Electronic Equipment and its implementation in accordance with national law, electric equipment that have reached the end of their life must be collected separately and returned to an environmentally compatible recycling facility.

### Intended use

The tool is intended for cutting crescent shaped slots for the placement of flat wooden dowels or biscuit by a plunging action.

### Power supply

The tool should be connected only to a power supply of the same voltage as indicated on the nameplate, and can only be operated on single-phase AC supply. They are double-insulated and can, therefore, also be used from sockets without earth wire.

## General Power Tool Safety Warnings

**⚠WARNING** Read all safety warnings and all instructions. Failure to follow the warnings and instructions may result in electric shock, fire and/or serious injury.

**Save all warnings and instructions for future reference.**

The term "power tool" in the warnings refers to your mains-operated (corded) power tool or battery-operated (cordless) power tool.

### Work area safety

1. **Keep work area clean and well lit.** Cluttered or dark areas invite accidents.
2. **Do not operate power tools in explosive atmospheres, such as in the presence of flammable liquids, gases or dust.** Power tools create sparks which may ignite the dust or fumes.
3. **Keep children and bystanders away while operating a power tool.** Distractions can cause you to lose control.

### Electrical safety

4. **Power tool plugs must match the outlet. Never modify the plug in any way. Do not use any adapter plugs with earthed (grounded) power tools.** Unmodified plugs and matching outlets will reduce risk of electric shock.
5. **Avoid body contact with earthed or grounded surfaces such as pipes, radiators, ranges and refrigerators.** There is an increased risk of electric shock if your body is earthed or grounded.
6. **Do not expose power tools to rain or wet conditions.** Water entering a power tool will increase the risk of electric shock.
7. **Do not abuse the cord. Never use the cord for carrying, pulling or unplugging the power tool. Keep cord away from heat, oil, sharp edges or moving parts.** Damaged or entangled cords increase the risk of electric shock.
8. **When operating a power tool outdoors, use an extension cord suitable for outdoor use.** Use of a cord suitable for outdoor use reduces the risk of electric shock.
9. **If operating a power tool in a damp location is unavoidable, use a residual current device (RCD) protected supply.** Use of an RCD reduces the risk of electric shock.
10. **Use of power supply via a RCD with a rated residual current of 30 mA or less is always recommended.**

## Personal safety

11. **Stay alert, watch what you are doing and use common sense when operating a power tool. Do not use a power tool while you are tired or under the influence of drugs, alcohol or medication.** A moment of inattention while operating power tools may result in serious personal injury.
12. **Use personal protective equipment. Always wear eye protection.** Protective equipment such as dust mask, non-skid safety shoes, hard hat, or hearing protection used for appropriate conditions will reduce personal injuries.
13. **Prevent unintentional starting. Ensure the switch is in the off-position before connecting to power source and/or battery pack, picking up or carrying the tool.** Carrying power tools with your finger on the switch or energising power tools that have the switch on invites accidents.
14. **Remove any adjusting key or wrench before turning the power tool on.** A wrench or a key left attached to a rotating part of the power tool may result in personal injury.
15. **Do not overreach. Keep proper footing and balance at all times.** This enables better control of the power tool in unexpected situations.
16. **Dress properly. Do not wear loose clothing or jewellery. Keep your hair, clothing, and gloves away from moving parts.** Loose clothes, jewellery or long hair can be caught in moving parts.
17. **If devices are provided for the connection of dust extraction and collection facilities, ensure these are connected and properly used.** Use of dust collection can reduce dust-related hazards.

## Power tool use and care

18. **Do not force the power tool. Use the correct power tool for your application.** The correct power tool will do the job better and safer at the rate for which it was designed.
19. **Do not use the power tool if the switch does not turn it on and off.** Any power tool that cannot be controlled with the switch is dangerous and must be repaired.
20. **Disconnect the plug from the power source and/or the battery pack from the power tool before making any adjustments, changing accessories, or storing power tools.** Such preventive safety measures reduce the risk of starting the power tool accidentally.
21. **Store idle power tools out of the reach of children and do not allow persons unfamiliar with the power tool or these instructions to operate the power tool.** Power tools are dangerous in the hands of untrained users.
22. **Maintain power tools. Check for misalignment or binding of moving parts, breakage of parts and any other condition that may affect the power tool's operation. If damaged, have the power tool repaired before use.** Many accidents are caused by poorly maintained power tools.
23. **Keep cutting tools sharp and clean.** Properly maintained cutting tools with sharp cutting edges are less likely to bind and are easier to control.

24. **Use the power tool, accessories and tool bits etc. in accordance with these instructions, taking into account the working conditions and the work to be performed.** Use of the power tool for operations different from those intended could result in a hazardous situation.

## Service

25. **Have your power tool serviced by a qualified repair person using only identical replacement parts.** This will ensure that the safety of the power tool is maintained.
26. **Follow instruction for lubricating and changing accessories.**
27. **Keep handles dry, clean and free from oil and grease.**

## PLATE JOINER SAFETY WARNINGS

1. **Blades must be rated for at least the speed marked on the tool.** Blades running over rated speed can fly apart and cause injury.
2. **Always use the guard.** The guard protects the operator from broken blade fragments and unintentional contact with the blade.
3. **Hold power tool by insulated gripping surfaces, because the blade may contact its own cord.** Cutting a "live" wire may make exposed metal parts of the power tool "live" and could give the operator an electric shock.
4. **Use only the blades specified for this tool.**
5. **Never operate the tool with the blade locked in exposed position or without the blade cover secured properly in place.**
6. **Make sure that the blade slides smoothly before operation.**
7. **Check the blades carefully for cracks or damage before operation. Replace cracked or damaged blades immediately.**
8. **Make sure that the flange fits in the arbor hole when installing the blade.**
9. **Inspect for and remove all nails or foreign matter from the workpieces before operation.**
10. **Always place the workpieces on a stable workbench.**
11. **Secure the workpieces firmly with clamp or vise.**
12. **NEVER wear gloves during operation.**
13. **Hold the tool firmly with both hands.**
14. **Keep your hands and body away from the grooving area.**
15. **Run the tool for a while without the blade pointing toward anybody. Watch for vibration or wobbling that could indicate poor installation or a poorly balanced blade.**
16. **Never reach your hands underneath the workpieces while the blade is rotating.**
17. **Do not leave the tool running unattended.**
18. **Always be sure that the tool is switched off and unplugged before making any adjustments or replacing the blade.**
19. **Some material contains chemicals which may be toxic. Take caution to prevent dust inhalation and skin contact. Follow material supplier safety data.**

20. Do not use blunt or damaged blades.
21. Do not use the tool with damaged guards.

## SAVE THESE INSTRUCTIONS.

**⚠WARNING: DO NOT let comfort or familiarity with product (gained from repeated use) replace strict adherence to safety rules for the subject product. MISUSE or failure to follow the safety rules stated in this instruction manual may cause serious personal injury.**

## FUNCTIONAL DESCRIPTION

### ⚠CAUTION:

- Always be sure that the tool is switched off and unplugged before adjusting or checking function on the tool.

### Adjusting the depth of groove

- **Fig.1:** 1. Pointer 2. Stopper 3. Adjusting screw 4. Rubber spike

6 grooving depths can be preset according to the size of biscuit to be used.

Refer to the table below for the correspondence between the sizes marked on the stopper and the biscuit size. Fine adjustments to the grooving depth can be made by turning the adjusting screw after loosening the hex nut. This may become necessary after the blade has been resharpened a few times.

Size on stopper	0	10	20	S	D	MAX
Biscuit size	0	10	20	—	—	—
Depth of groove	8 mm	10 mm	12.3mm	13 mm	14.7mm	20 mm*

\* With the rubber spikes removed.

### Angle guide

The angle guide height can be moved up and down to adjust the position of the blade in relation to the top of the workpiece.

- **Fig.2:** 1. Lock lever 2. Angle guide 3. Knob 4. Scale 5. Pointer 6. Tighten 7. Loosen

To adjust the angle guide height, loosen the lock lever down and rotate the knob until the pointer points to the desired scale graduation marked on the angle guide.

- **Fig.3:** 1. Knob 2. Down 3. Up 4. Center of blade thickness

Then tighten the lock lever up to secure the angle guide. The scale on the angle guide indicates the distance from the top of the workpiece to the center of the blade thickness.

The angle guide is removable from the fence according to the need of your work. To remove the angle guide, loosen the lock lever and turn the knob clockwise until it comes out of the upper end of the fence.

## Fence

### NOTE:

- Remove the angle guide according to the need of your work when using the tool with the angle of the fence adjusted to other than 0°. When you need to use the angle guide under the above condition, be sure to adjust the depth of groove to get a proper depth.

- **Fig.4:** 1. Fence 2. Lock lever 3. Angle scale 4. Tighten 5. Loosen

- **Fig.5:** 1. Lock lever 2. Pointer 3. Angle scale 4. Center of blade thickness 5. Blade cover

The angle of the fence can be adjusted between 0° and 90° (positive stops at 0°, 45° and 90°). To adjust the angle, loosen the lock lever and tilt the fence until the pointer points to the desired graduation on the angle scale. Then tighten the lock lever to secure the fence. When the fence is set at 90°, both the distance from the center of the blade thickness to the fence and the distance from the center of the blade thickness to the bottom of the blade cover are 10 mm.

### Set plate

- **Fig.6:** 1. Lock lever 2. Pointer 3. Angle scale 4. Set plate 5. Thickness of set plate 6. Center of blade thickness 7. Blade cover

- **Fig.7:** 1. Set plate

Use the set plate as shown in the figures when cutting slots in thin workpieces.

### Switch action

- **Fig.8:** 1. Slide switch

### ⚠CAUTION:

- Before plugging in the tool, always check to see that the slide switch actuates properly and returns to the "OFF" position when the rear of the slide switch is depressed.
- Switch can be locked in "ON" position for ease of operator comfort during extended use. Apply caution when locking tool in "ON" position and maintain firm grasp on tool.

To start the tool, slide the slide switch toward the "I (ON)" position. For continuous operation, press the front of the slide switch to lock it.

To stop the tool, press the rear of the slide switch, then slide it toward the "O (OFF)" position.



# ASSEMBLY

## ⚠ CAUTION:

- Always be sure that the tool is switched off and unplugged before carrying out any work on the tool.

## Removing or installing the blade

- **Fig.9:** 1. Lock nut 2. Plate joiner blade 3. Inner flange 4. Clamp screw 5. Blade cover 6. Loosen 7. Tighten 8. Shaft lock

## ⚠ CAUTION:

- When installing the plate joiner blade, mount the inner flange with the side marked "22" facing toward you.

To remove the blade, loosen the clamp screw and open the blade cover. Push the shaft lock and loosen the lock nut using the lock nut wrench. To install the blade, first mount the inner flange.

Then mount the blade and the lock nut. Securely tighten the lock nut using the lock nut wrench. Close the blade cover and tighten the clamp screw to secure the blade cover.

## ⚠ CAUTION:

- Use only Makita lock nut wrench provided to remove or install the blade.
- Always check the depth of groove after replacing the blade. Readjust it if necessary.

## Dust bag

- **Fig.10:** 1. Dust bag 2. Fastener 3. Dust nozzle

To attach the dust bag, fit it onto the dust nozzle. If the dust bag becomes an obstacle to your work, turn the dust nozzle to change the dust bag position.

When the dust bag is about half full, switch off and unplug the tool. Remove the dust bag from the tool and pull the bag's fastener out. Empty the dust bag by tapping it lightly to remove as much of the dust as possible.

## NOTE:

- If you connect a Makita vacuum cleaner to your plate joiner, more efficient and cleaner operations can be performed.

# OPERATION

## How to make joints

## ⚠ WARNING:

- Always clamp the workpiece to the workbench before each operation.

► Fig.11

► Fig.12

## Corner Joint (Fig. A)

► Fig.13

► Fig.14

► Fig.15

## T-Butt Joint (Fig. B)

► Fig.16

► Fig.17

► Fig.18

## Miter Joint (Fig. C)

► Fig.19

► Fig.20

## Frame Joint (Fig. D)

► Fig.21

► Fig.22

## Edge-To-Edge Joint (Fig. E)

► Fig.23

► Fig.24

To make joints, proceed as follows:

1. Fit the two workpieces together as they will appear in the finished joint position.
2. Mark the center of the intended biscuit grooves on the workpiece using a pencil.

## NOTE:

- The center of grooves should be at least 50 mm from the outer edge of the workpieces.
  - Allow 100 mm - 150 mm between grooves in multiple biscuit application.
3. **For Corner Joint and T-Butt Joint only**  
Clamp the vertical workpiece to the workbench.  
**For Miter Joint only**  
Clamp one workpiece to the workbench with the mitered edge facing up.  
**For Frame Joint and Edge-To-Edge Joint only**  
Clamp one workpiece to the workbench.
  4. Set the depth of groove according to the size of biscuit to be used. Refer to the table in the "Adjusting the depth of groove" section.
  5. Adjust the angle guide height so that the blade is centered in the board thickness.
  6. Align the center mark on the base with the pencil line on the workpiece.

7. Switch on the tool and gently push it forward to extend the blade into the workpiece.
8. Gently return the tool to the original position after the adjusting screw reaches the stopper.
9. **For Corner Joint and T-Butt Joint only**  
Clamp the horizontal workpiece to the workbench.  
**For Miter Joint only**  
Clamp the other workpiece to the workbench with the mitered edge facing up.  
**For Frame Joint and Edge-To-Edge Joint only**  
Clamp the other workpiece to the workbench.
10. **For Corner Joint only**  
Place the tool on the workpiece so that the blade is facing down.  
**For T-Butt Joint only**  
Remove the angle guide from the tool. Place the tool on the workpiece so that the blade is facing down.
11. Repeat the steps 6 - 8 to groove in the horizontal or the other workpiece.

If you do not need to center the blade in the board thickness, proceed as follows:

**For Corner Joint, Miter Joint, Frame Joint and Edge-To-Edge Joint only**

- Remove the angle guide from the tool. Set the fence at 90° for Corner Joint, Frame Joint and Edge-To-Edge Joint or at 45° for Miter Joint.
  - Follow steps 1 - 11 excluding steps 5 and 10 described above.
- For T-Butt Joint only**
- Fit the two workpieces together as they will appear in the finished joint position.
  - Lay the vertical workpiece on the horizontal one. Clamp both workpieces to the workbench.
  - Remove the angle guide from the tool.
  - Follow the steps 2, 4, 6, 7, 8 and 11 described above.

## MAINTENANCE

### CAUTION:

- Always be sure that the tool is switched off and unplugged before attempting to perform inspection or maintenance.
- Never use gasoline, benzine, thinner, alcohol or the like. Discoloration, deformation or cracks may result.

► **Fig.25:** 1. Exhaust vent 2. Inhalation vent

The tool and its air vents have to be kept clean.

Regularly clean the tool's air vents or whenever the vents start to become obstructed.

To maintain product SAFETY and RELIABILITY, repairs, carbon brush inspection and replacement, any other maintenance or adjustment should be performed by Makita Authorized Service Centers, always using Makita replacement parts.

## OPTIONAL ACCESSORIES

### CAUTION:

- These accessories or attachments are recommended for use with your Makita tool specified in this manual. The use of any other accessories or attachments might present a risk of injury to persons. Only use accessory or attachment for its stated purpose.

If you need any assistance for more details regarding these accessories, ask your local Makita Service Center.

- Angle guide
- Dust bag
- Set plate 4
- Lock nut wrench 20
- Plate joiner blades

### NOTE:

- Some items in the list may be included in the tool package as standard accessories. They may differ from country to country.

## 规格

型号		PJ7000
刀片类型		木工接合机
最大切割深度	木工接合机刀片	20 mm
空载速度 (/min)		11,000
总长度		302 mm
净重		2.5 kg
安全等级		回/川

- 由于持续的研发计划，生产者保留变更规格不另行通知之权利。
- 规格可能因销往国家之不同而异。
- 重量符合EPTA-Procedure 01/2003

## 符号

以下显示本工具使用的符号。在使用工具之前请务必理解其含义。



阅读使用说明书。



II类工具



仅限于欧盟国家  
请勿将电气设备与家庭普通废弃物一同丢弃！请务必遵守欧洲关于废弃电子电气设备的指令，根据各国法律法规执行。达到使用寿命的电气设备必须分类回收至符合环境保护规定的再循环机构。

## 用途

本工具设计用于通过切入式切割以切割出月牙形凹槽，从而使用卡榫或饼干榫进行木板接合。

## 电源

本工具只可连接电压与铭牌所示电压相同的电源，且仅可使用单相交流电源。本工具双重绝缘，因此也可用于不带接地线的插座。

## 电动工具通用安全警告

**⚠警告！阅读所有警告和所有说明。**不遵照以下警告和说明会导致电击、着火和/或严重伤害。

## 保存所有警告和说明书以备查阅。

在所有下列的警告中术语“电动工具”指市电驱动（有线）电动工具或电池驱动（无线）电动工具。

## 工作场地的安全

1. 保持工作场地清洁和明亮。混乱和黑暗的场地会引发事故。
2. 不要在易爆环境，如有易燃液体、气体或粉尘的环境下操作电动工具。电动工具产生的火花会点燃粉尘或气体。
3. 让儿童和旁观者离开后操作电动工具。注意力不集中会使操作者失去对工具的控制。

## 电气安全

4. 电动工具插头必须与插座相配。绝不能以任何方式改装插头。需接地的电动工具不能使用任何转换插头。未经改装的插头和相配的插座将减少电击危险。
5. 避免人体接触接地表面，如管道、散热片和冰箱。如果你身体接地会增加电击危险。
6. 不得将电动工具暴露在雨中或潮湿环境中。水进入电动工具将增加电击危险。
7. 不得滥用电线。绝不能用电线搬运、拉动电动工具或拔出其插头。使电线远离热源、油、锐边或运动部件。受损或缠绕的软线会增加电击危险。
8. 当在户外使用电动工具时，使用适合户外使用的外接软线。适合户外使用的软线将减少电击危险。

- 如果在潮湿环境下操作电动工具是不可避免的，应使用剩余电流动作保护器（RCD）。使用RCD可减小电击危险。
- 始终建议通过额定剩余电流为30mA或以下的RCD来使用电源。

#### 人身安全

- 保持警觉，当操作电动工具时关注所从事的操作并保持清醒。当你感到疲倦，或在有药物、酒精或治疗反应时，不要操作电动工具。在操作电动工具时瞬间的疏忽会导致严重人身伤害。
- 使用个人防护装置。始终佩戴护目镜。安全装置，诸如适当条件下使用防尘面具、防滑安全鞋、安全帽、听力防护等装置能减少人身伤害。
- 防止意外起动。确保开关在连接电源和/或电池盒、拿起或搬运工具时处于关断位置。手指放在已接通电源的开关上或开关处于接通时插入插头可能会导致危险。
- 在电动工具接通之前，拿掉所有调节钥匙或扳手。遗留在电动工具旋转零件上的扳手或钥匙会导致人身伤害。
- 手不要伸展得太长。时刻注意立足点和身体平衡。这样在意外情况下能很好地控制电动工具。
- 着装适当。不要穿宽松衣服或佩戴饰品。让衣服、手套和头发远离运动部件。宽松衣服、佩饰或长发可能会卷入运动部件中。
- 如果提供了与排屑、集尘设备连接用的装置，要确保他们连接完好且使用得当。使用这些装置可减少尘屑引起的危险。

#### 电动工具使用和注意事项

- 不要滥用电动工具，根据用途使用适当的电动工具。选用适当设计的电动工具会使你工作更有效、更安全。
- 如果开关不能接通或关断工具电源，则不能使用该电动工具。不能用开关来控制的电动工具是危险的且必须进行修理。
- 在进行任何调节、更换附件或贮存电动工具之前，必须从电源上拔掉插头和/或使电池盒与工具脱开。这种防护性措施将减少工具意外起动的危险。
- 将闲置不用的电动工具贮存在儿童所及范围之外，并且不要让不熟悉电动工具或对这些说明不了解的人操作电动工具。电动工具在未经培训的用户手中是危险的。

- 保养电动工具。检查运动件是否调整到位或卡住，检查零件破损情况和影响电动工具运行的其他状况。如有损坏，电动工具应在使用前修理好。许多事故由维护不良的电动工具引发。
- 保持切削刀具锋利和清洁。保养良好的有锋利切削刃的刀具不易卡住而且容易控制。
- 按照使用说明书，考虑作业条件和进行的作业来使用电动工具、附件和工具的刀头等。将电动工具用于那些与其用途不符的操作可能会导致危险。

#### 维修

- 将你的电动工具送交专业维修人员，使用同样的备件进行修理。这样将确保所维修的电动工具的安全性。
- 上润滑油及更换附件时请遵循本说明书指示。
- 手柄务必保持干燥、清洁、无油（脂）。

### 木工接合机安全警告

- 刀片的额定转速至少应达到工具的标示速度。刀片超过额定速度运转会造成刀片破裂飞出并造成严重的伤害。
- 请务必使用保护罩。保护罩可防止操作人员遭受刀片碎片伤害以及意外接触刀片而造成的伤害。
- 因为刀片可能会接触到自身的电线，操作工具时请抓握其绝缘表面。切割到“带电”的电线时，电动工具上曝露的金属部分可能也会“带电”，并使操作人员触电。
- 请仅使用本工具指定的刀片。
- 切勿在刀片锁定在外露位置或未正确固定刀片罩的情况下操作工具。
- 操作之前，请确保刀片可顺畅滑动。
- 操作之前，请仔细检查刀片上是否有裂缝或损坏。若刀片有裂缝或损坏，应立即更换。
- 安装刀片时，应确保将法兰卡入轴孔。
- 操作之前，请检查并清除工件上的所有钉子或异物。
- 始终确保将工件放置在稳固的工作台上。
- 请使用夹钳或虎钳来固定工件。
- 作业期间，切勿佩戴手套。
- 需用双手握紧工具。
- 请勿让手和身体靠近切割区域。

15. 使工具运转片刻，请勿让刀片指向任何人。请注意，振动或摇摆可能表示安装不当或刀片不平衡。
16. 切勿在刀片旋转时将手伸至工件之下。
17. 请勿在无人看管的情况下运行工具。
18. 在调节或更换刀片之前，请务必确认工具已关闭并且已拔下电源插头。
19. 某些材料含有有毒化学物质。小心不要吸入粉尘，并避免皮肤接触。遵循材料供应商的安全提示。
20. 请勿使用钝的或损坏的刀片。
21. 请勿使用保护罩破损的工具。

## 请保留此说明书。

**警告：** 请勿为图方便或因对产品足够熟悉（由于重复使用而获得的经验）而不严格遵循相关产品安全规则。使用不当或不遵循使用说明书中的安全规则可能会导致严重的人身伤害。

## 功能描述

**小心：**

- 在调节或检查工具功能之前，请务必关闭工具电源开关并拔下电源插头。

## 调节切割深度

► **图片1：** 1. 指针 2. 止动器 3. 调节螺丝 4. 橡胶钉

根据要使用的饼干棒尺寸可预设6级切割深度。

有关止动器上标示尺寸和和饼干棒尺寸的对应关系，请参阅下表。旋松六角螺母后，通过旋拧调节螺丝可精细调节切割深度。在多次打磨刀片后，有必要进行该调节。

止动器上的尺寸	0	10	20	S	D	最大
饼干棒尺寸	0	10	20	—	—	—
切割深度	8 mm	10 mm	12.3 mm	13 mm	14.7 mm	20 mm*

\* 拆下橡胶钉时。

## 角度规

可根据工件顶端通过上下调节角度规的高度来调节刀片位置。

► **图片2：** 1. 锁定杆 2. 角度规 3. 旋钮 4. 刻度 5. 指针 6. 拧紧 7. 拧松

调节角度规的高度时，请向下旋松锁定杆并旋拧旋钮直至指针指向角度规上所需的刻度。

► **图片3：** 1. 旋钮 2. 下 3. 上 4. 刀片厚度的中央

然后拧紧锁定杆以固定角度规。角度规上的刻度表示工件顶端与刀片厚度中央之间的距离。

根据作业需要，可从挡板上拆下角度规。要拆下角度规时，请旋松锁定杆并顺时针旋拧旋钮直至其脱离挡板的上端。

## 挡板

**注：**

- 在将挡板角度调节至非0°位置的情况下使用工具时，请根据作业需要拆下角度规。当在上述情况下需要使用角度规时，请务必调节切割深度以获得合适的切割深度。

► **图片4：** 1. 挡板 2. 锁定杆 3. 角度刻度盘 4. 拧紧 5. 拧松

► **图片5：** 1. 锁定杆 2. 指针 3. 角度刻度盘 4. 刀片厚度的中央 5. 刀片罩

可在0°和90°之间调节挡板的角（前挡块位于0°、45°和90°位置）。调节角度时，请旋松锁定杆并倾斜挡板直至指针指向角度刻度盘上所需的刻度。然后拧紧锁定杆以固定挡板。

将挡板设为90°时，刀片厚度中央与挡板之间的距离以及刀片厚度中央与刀片罩底部之间的距离均应为10 mm。

## 固定板

► **图片6：** 1. 锁定杆 2. 指针 3. 角度刻度盘 4. 固定板 5. 固定板厚度 6. 刀片厚度的中央 7. 刀片罩

► **图片7：** 1. 固定板

在较薄的工作上切割凹槽时，请如图所示使用固定板。

## 开关操作

### ► 图片8: 1. 滑动开关

#### ⚠小心:

- 插上工具电源插头之前, 请务必确认滑动开关启动正常, 并且在按下滑动开关的后部时能回到“OFF”(关闭)位置。
- 长时间使用时, 可将开关锁定在“ON”(开启)位置, 使操作更加舒适。将工具锁定在“ON”(开启)位置时, 请小心并务必抓牢工具。

要启动工具时, 将滑动开关滑到“1 (ON)”(开启)位置。要连续运转时, 按滑动开关的前部将其锁定。

若要停止工具时, 按下滑动开关的后部, 然后将开关滑到“0 (OFF)”(关闭)位置。

## 装配

#### ⚠小心:

- 对工具进行任何操作前, 请务必确认工具已关闭且已拔下电源插头。

## 拆卸或安装刀片

### ► 图片9: 1. 锁紧螺母 2. 木工接合机刀片 3. 内法兰盘 4. 夹紧螺丝 5. 刀片罩 6. 拧松 7. 拧紧 8. 轴锁

#### ⚠小心:

- 安装木工接合机刀片时, 请安装内法兰盘, 使得其上标有“22”的一侧朝向您自身。

拆卸刀片时, 请旋松夹紧螺丝并打开刀片罩。按轴锁并使用锁紧螺母扳手旋松锁紧螺母。安装刀片时, 请先安装内法兰盘。然后安装刀片和锁紧螺母。请使用锁紧螺母扳手牢固拧紧锁紧螺母。闭合刀片罩并拧紧夹紧螺丝以固定刀片罩。

#### ⚠小心:

- 请仅使用随附的Makita(牧田)锁紧螺母扳手来拆卸或安装刀片。
- 更换刀片后, 请务必检查切割深度。必要时, 请重新调节。

## 集尘袋

► 图片10: 1. 集尘袋 2. 紧固装置 3. 集尘口  
安装集尘袋时, 将其安装在集尘口上。如果集尘袋妨碍您的工作, 请转动集尘口改变集尘袋的位置。  
集尘袋约半满时, 请关闭工具并拔下插头。将集尘袋从工具上取下并拉出集尘袋的紧固装置。清空集尘袋并轻轻拍打, 尽量除净集尘袋上的灰尘。

#### 注:

- 如果将木工接合机与Makita(牧田)集尘器连接, 则可进行更有效和更清洁的操作。

## 操作

### 如何接合

#### ⚠警告:

- 每次操作前, 请将工件紧固在工作台上。

### ► 图片11

### ► 图片12

### 边角接合 (图片A)

### ► 图片13

### ► 图片14

### ► 图片15

### T型接合 (图片B)

### ► 图片16

### ► 图片17

### ► 图片18

### 斜面接合 (图片C)

### ► 图片19

### ► 图片20

### 框架接合 (图片D)

### ► 图片21

### ► 图片22

### 边对边接合 (图片E)

### ► 图片23

### ► 图片24

进行接合时，请执行以下步骤：

1. 拼接两个工件，使其呈完成接合后的位置。
2. 使用铅笔在工件上画出所要切割的饼干榫槽的中心。

注：

- 凹槽的中心应至少距工件外缘50 mm。
- 在多个饼干榫接应用中，请在凹槽之间留出100 mm至150 mm的距离。

3. **仅适用于边角接合及T型接合**  
将竖直工件紧固在工作台上。  
**仅适用于斜面接合**  
将一个工件紧固在工作台上，使斜边朝上。  
**仅适用于框架接合及边对边接合**  
将一个工件紧固在工作台上。
4. 根据要使用的饼干榫尺寸设定切割深度。请参阅“调节切割深度”部分的表格。
5. 调节角度规的高度使刀片对准木板厚度的中央。
6. 使底座上的中央标记对齐工件上的铅笔线。
7. 打开工具开关并轻轻向前推以切割工件。
8. 在调节螺丝抵达止动器后，将工具轻轻放回初始位置。
9. **仅适用于边角接合及T型接合**  
将水平工件紧固在工作台上。  
**仅适用于斜面接合**  
将另一个工件紧固在工作台上，使斜边朝上。  
**仅适用于框架接合及边对边接合**  
将另一个工件紧固在工作台上。
10. **仅适用于边角接合**  
将工具放置在工件上，使刀片朝下。  
**仅适用于T型接合**  
从工具上拆下角度规。将工具放置在工件上，使刀片朝下。
11. 重复执行步骤6至8以对水平工件或其他工件进行切割操作。

如果您无需使刀片对齐木板厚度的中央，请执行以下步骤：

**仅适用于边角接合、斜面接合、框架接合以及边对边接合**

- 从工具上拆下角度规。对于边角接合、框架接合及边对边接合，请将挡板设定为90°，或在进行斜面接合时将其设为45°。
  - 执行上述除步骤5和10以外的步骤1至11。
- 仅适用于T型接合**
- 拼接两个工件，使其呈完成接合后的位置。
  - 将竖直工件放置在水平工件上。将这两个工件紧固在工作台上。
  - 从工具上拆下角度规。
  - 执行上述的步骤2、4、6、7、8和11。

## 保养

 **小心：**

- 检查或保养工具之前，请务必关闭工具电源开关并拔下插头。
- 切勿使用汽油、苯、稀释剂、酒精或类似物品清洁工具。否则，可能会导致工具变色、变形或出现裂缝。

► **图片25： 1. 排气孔 2. 进气孔**

工具及其通风口应保持清洁。定期清洁通风口或在通风口开始被堵塞时进行清洁。

为了保证产品的安全性与可靠性，任何维修、碳刷检查和更换、其它维修保养或调节工作须由Makita（牧田）授权服务中心完成。务必使用Makita（牧田）的替换部件。

## 选购附件

### 小心:

- 这些附件或装置专用于本说明书所列的Makita（牧田）电动工具。其他附件或装置的使用可能会有人身伤害风险。仅可将附件或装置用于规定目的。

如您需要了解更多关于这些选购附件的信息，请咨询当地的Makita（牧田）维修服务中心。

- 角度规
- 集尘袋
- 固定板4
- 锁紧螺母扳手20
- 木工接合机刀片

### 注:

- 本列表中的一些部件可能作为标准配件包含于工具包装内。它们可能因销往国家之不同而异。



## SPEKIFIKASI

Model		PJ7000
Jenis mata gergaji		Penyambung pelat
Kedalaman alur maks.	Mata gergaji penyambung pelat	20 mm
Kecepatan tanpa beban (min <sup>-1</sup> )		11.000
Panjang keseluruhan		302 mm
Berat bersih		2,5 kg
Kelas keamanan		□/II

- Karena kami terus melakukan program penelitian dan pengembangan, spesifikasi yang disebutkan di sini dapat berubah tanpa pemberitahuan.
- Spesifikasi dapat berbeda di setiap negara.
- Berat menurut Prosedur EPTA 01/2003

### Simbol

Berikut ini adalah simbol-simbol yang digunakan pada peralatan ini. Pastikan Anda memahami arti masing-masing simbol sebelum menggunakan alat.



Baca petunjuk penggunaan.



ISOLASI GANDA



Hanya untuk negara-negara Uni Eropa  
Jangan membuang peralatan listrik atau baterai bersama-sama dengan bahan limbah rumah tangga! Dengan memerhatikan Petunjuk Eropa, tentang Limbah Peralatan Listrik dan Elektronik serta pelaksanaannya sesuai dengan ketentuan hukum nasional, peralatan listrik yang telah habis umur pakainya harus dikumpulkan secara terpisah dan dikembalikan ke fasilitas daur ulang yang kompatibel secara lingkungan.

### Tujuan penggunaan

Alat ini dirancang untuk memotong slot berbentuk bulan sabit untuk penempatan batang penetap kayu datar atau biskuit dengan pencelupan.

### Pasokan daya

Mesin harus terhubung dengan pasokan daya listrik yang bervoltase sama dengan yang tertera pada pelat nama, dan hanya dapat dijalankan dengan listrik AC fase tunggal. Mesin diisolasi ganda sehingga dapat juga dihubungkan dengan soket tanpa kabel arde.

## Peringatan Keselamatan Umum Mesin Listrik

**⚠ PERINGATAN** Bacalah semua peringatan keselamatan dan semua petunjuk. Kelalaian mematuhi peringatan dan petunjuk dapat menyebabkan sengatan listrik, kebakaran dan/atau cedera serius.

## Simpanlah semua peringatan dan petunjuk untuk acuan di masa depan.

Istilah “mesin listrik” dalam semua peringatan mengacu pada mesin listrik yang dijalankan dengan sumber listrik jala-jala (berkabel) atau baterai (tanpa kabel).

### Keselamatan tempat kerja

1. **Jaga tempat kerja selalu bersih dan berpenerangan cukup.** Tempat kerja yang berantakan dan gelap mengundang kecelakaan.
2. **Jangan gunakan mesin listrik dalam lingkungan yang mudah meledak, misalnya terdapat cairan, gas, atau debu yang mudah terbakar.** Mesin listrik menimbulkan bunga api yang dapat membakar debu atau uap tersebut.
3. **Jauhkan anak-anak dan orang lain saat menggunakan mesin listrik.** Jika perhatian terpecah, Anda mungkin saja kehilangan kendali.

### Keamanan Kelistrikan

4. **Steker mesin listrik harus cocok dengan stopkontak. Jangan sekali-kali mengubah steker dengan cara apa pun. Jangan menggunakan steker adaptor dengan mesin listrik yang terbumi (dibumikan).** Steker yang tidak diubah dan stopkontak yang cocok akan mengurangi risiko sengatan listrik.
5. **Hindari sentuhan tubuh dengan permukaan yang terbumi atau dibumikan seperti pipa, radiator, kompor, dan kulkas.** Risiko sengatan listrik bertambah jika ada bagian tubuh Anda yang menyentuh bumi atau tanah.
6. **Jangan membiarkan mesin listrik kehujanan atau basah.** Air yang masuk ke dalam mesin listrik akan meningkatkan risiko sengatan listrik.
7. **Jangan menyalahgunakan kabel. Jangan sekali-kali menggunakan kabel untuk membawa, menarik, atau mencabut mesin listrik dari stopkontak. Jauhkan kabel dari panas, minyak, tepian tajam, atau bagian yang bergerak.** Kabel yang rusak atau kusut memperbesar risiko sengatan listrik.

8. **Jika menggunakan mesin listrik di luar ruangan, gunakan kabel ekstensi yang sesuai dengan penggunaan di luar ruangan.** Menggunakan kabel yang sesuai dengan penggunaan luar ruangan akan mengurangi risiko sengatan listrik.
9. **Jika mengoperasikan mesin listrik di lokasi lembap tidak terhindarkan, gunakan pasokan daya yang dilindungi peranti imbasan arus (residual current device - RCD).** Penggunaan RCD mengurangi risiko sengatan listrik.
10. **Disarankan untuk menggunakan pasokan daya melalui RCD dengan kapasitas arus sisa 30mA atau kurang.**

#### **Keselamatan Diri**

11. **Jaga kewaspadaan, perhatikan pekerjaan Anda dan gunakan akal sehat saat menggunakan mesin listrik.** Jangan menggunakan mesin listrik saat Anda lelah atau di bawah pengaruh obat-obatan, alkohol, atau dalam masa pengobatan. Sesaat saja Anda lalai saat menggunakan mesin listrik dapat menyebabkan cedera badan serius.
12. **Gunakan alat pelindung diri. Selalu gunakan pelindung mata.** Penggunaan peralatan pelindung seperti masker debu, sepatu pengaman anti-selip, helm pengaman, atau pelindung telinga untuk kondisi yang sesuai akan mengurangi risiko cedera badan.
13. **Cegah penyalaaan yang tidak disengaja. Pastikan bahwa sakelar berada dalam posisi mati (off) sebelum menghubungkan mesin ke sumber daya dan/atau paket baterai, mengangkat, atau membawanya.** Membawa mesin listrik dengan jari berada di sakelar atau mengalirkan listrik pada mesin listrik dengan sakelar hidup (on) akan mengundang kecelakaan.
14. **Lepaskan kunci-kunci penyetel sebelum menghidupkan mesin listrik.** Kunci-kunci yang masih terpasang pada bagian mesin listrik yang berputar dapat menyebabkan cedera.
15. **Jangan meraih terlalu jauh. Selalu jagalah pijakan dan keseimbangan.** Hal ini memungkinkan pengendalian mesin listrik yang lebih baik dalam situasi yang tidak diharapkan.
16. **Kenakan pakaian dengan baik. Jangan memakai pakaian yang kedodoran atau perhiasan. Jaga jarak antara rambut, pakaian, dan sarung tangan Anda dengan bagian mesin yang bergerak.** Pakaian kedodoran, perhiasan, atau rambut panjang dapat tersangkut pada bagian yang bergerak.
17. **Jika pada peranti tersedia fasilitas untuk menghisap dan mengumpulkan debu, pastikan fasilitas tersebut terhubung listrik dan digunakan dengan baik.** Penggunaan pembersih debu dapat mengurangi bahaya yang terkait dengan debu.

#### **Penggunaan dan pemeliharaan mesin listrik**

18. **Jangan memaksa mesin listrik. Gunakan mesin listrik yang tepat untuk keperluan Anda.** Mesin listrik yang tepat akan menuntaskan pekerjaan dengan lebih baik dan aman jika pada kecepatan sesuai rancangannya.
19. **Jangan menggunakan mesin listrik jika sakelar tidak dapat menyalakan dan mematikannya.** Mesin listrik yang tidak dapat dikendalikan dengan sakelarnya akan berbahaya dan harus diperbaiki.
20. **Cabut steker dari sumber listrik dan/atau paket baterai dari mesin listrik sebelum melakukan penyetelan, penggantian aksesoris, atau menyimpan mesin listrik.** Langkah keselamatan preventif tersebut mengurangi risiko hidupnya mesin secara tak sengaja.
21. **Simpan mesin listrik jauh dari jangkauan anak-anak dan jangan biarkan orang yang tidak paham mengenai mesin listrik tersebut atau petunjuk ini untuk menggunakan mesin listrik.** Mesin listrik sangat berbahaya di tangan pengguna yang tidak terlatih.
22. **Rawatlah mesin listrik. Periksa apakah ada bagian bergerak yang tidak sejajar atau macet, bagian yang pecah, dan kondisi lain yang dapat memengaruhi penggunaan mesin listrik.** Jika rusak, perbaiki mesin listrik terlebih dahulu sebelum digunakan. Banyak kecelakaan disebabkan oleh kurangnya pemeliharaan mesin listrik.
23. **Jaga agar mesin pemotong tetap tajam dan bersih.** Mesin pemotong yang terawat baik dengan mata pemotong yang tajam tidak mudah macet dan lebih mudah dikendalikan.
24. **Gunakan mesin listrik, aksesoris, dan mata mesin, dll. berdasarkan petunjuk ini, dengan memperhitungkan kondisi kerja dan jenis pekerjaan yang dilakukan.** Pemakaian mesin listrik untuk penggunaan selain yang diperuntukkan dapat menimbulkan situasi berbahaya.

#### **Servis**

25. **Bawa mesin listrik untuk diperbaiki hanya kepada oleh teknisi yang berkualifikasi menggunakan hanya suku cadang pengganti yang serupa.** Hal ini akan menjamin terjaganya keamanan mesin listrik.
26. **Patuhi petunjuk pelumasan dan penggantian aksesoris.**
27. **Jagalah agar gagang kering, bersih, serta bebas dari minyak dan gemuk.**

### **PERINGATAN KESELAMATAN PENYAMBUNG PELAT**

1. **Mata gergaji harus memiliki kecepatan terukur yang setidaknya sama dengan kecepatan yang tercantum pada mesin.** Mata gergaji yang bekerja melebihi kecepatan terukurnya bisa saja terlempar dan menyebabkan cedera.
2. **Selalu gunakan pelindung.** Pelindung melindungi operator dari pecahan mata gergaji yang rusak dan kontak yang tidak disengaja dengan mata gergaji.
3. **Pegang mesin listrik pada permukaan genggam yang terinsulasi, karena mata gergaji mungkin bersentuhan dengan kawat tersembunyi.** Memotong kawat "hidup" dapat menyebabkan bagian logam pada mesin teraliri arus listrik dan menyengat pengguna.

4. Gunakan hanya mata gergaji yang ditentukan untuk mesin ini.
5. Jangan pernah mengoperasikan mesin dengan mata gergaji terkunci di posisi terbuka atau tanpa penutup mata gergaji yang terpasang dengan benar.
6. Pastikan mata gergaji dapat bergeser dengan lancar sebelum digunakan.
7. Sebelum dioperasikan, periksa mata gergaji dengan saksama untuk memastikan tidak ada bagian yang retak atau rusak. Segera ganti mata pisau yang retak atau rusak.
8. Pastikan flensa dapat masuk ke lubang arbor saat memasang mata gergaji.
9. Periksa dan buang semua paku, atau benda asing lainnya dari benda kerja sebelum pengoperasian.
10. Selalu letakkan benda kerja di atas meja kerja yang stabil.
11. Tahan benda kerja dengan kuat menggunakan penjepit atau ragum.
12. **JANGAN** sekali-kali menggunakan sarung tangan saat pengoperasian.
13. Pegang mesin kuat-kuat dengan kedua tangan.
14. Jauhkan tangan dan tubuh Anda dari area alur.
15. Nyalakan mesin sebentar tanpa mengarahkan mata gergaji ke siapa pun. Perhatikan akan adanya getaran atau goyangan yang dapat menunjukkan lemahnya pemasangan atau mata pisau yang kurang seimbang.
16. Jangan pernah mengulurkan tangan Anda di bawah benda kerja saat mata gergaji berputar.
17. Jangan meninggalkan mesin dalam keadaan menyala tanpa pengawasan.
18. Pastikan mesin dalam keadaan mati dan steker telah dicabut, sebelum menyesuaikan atau mengganti mata gergaji.
19. Bahan tertentu mengandung zat kimia yang mungkin beracun. Hindari menghirup debu dan kontak dengan kulit. Ikuti data keselamatan bahan dari pemasok.
20. Jangan gunakan mata gergaji yang tumpul atau rusak.
21. Jangan menggunakan mesin dengan pelindung yang rusak.

## SIMPAN PETUNJUK INI.

**⚠️PERINGATAN:** JANGAN biarkan kenyamanan atau terbiasanya Anda dengan produk (karena penggunaan berulang) mengurangi kepatuhan yang ketat terhadap aturan keselamatan untuk produk yang terkait. **PENYALAHGUNAAN** atau kelalaian dalam mematuhi aturan keselamatan yang tertera pada petunjuk ini dapat menyebabkan cedera badan serius.

## DESKRIPSI FUNGSI

### ⚠️PERHATIAN:

- Selalu pastikan bahwa mesin dalam keadaan mati dan steker tercabut sebelum menyetel atau memeriksa kerja mesin.

## Menyetel kedalaman alur

- **Gbr.1:** 1. Penunjuk 2. Penahan 3. Sekrup penyetel 4. Paku karet

6 kedalaman alur dapat diatur sesuai dengan ukuran biskuit yang akan digunakan.

Lihat tabel di bawah untuk melihat hubungan antara ukuran yang ditandai pada penahan dan ukuran biskuit. Penyesuaian halus pada kedalaman alur dapat dilakukan dengan memutar sekrup penyetel setelah melonggarkan mur segi-enam. Hal ini nantinya mungkin diperlukan setelah mata gergaji dibentuk ulang beberapa kali.

Ukuran pada penahan	0	10	20	S	D	MAX
Ukuran biskuit	0	10	20	—	—	—
Kedalaman alur	8 mm	10 mm	12,3mm	13 mm	14,7mm	20 mm*

\* Dengan kondisi paku karet dilepaskan.

## Pemandu sudut

Ketinggian pemandu sudut dapat digerakkan ke atas dan ke bawah untuk menyesuaikan posisi mata gergaji dengan acuan bagian atas benda kerja.

- **Gbr.2:** 1. Tuas kunci 2. Pemandu sudut 3. Kenop 4. Skala 5. Penunjuk 6. Kencangkan 7. Kendurkan

Untuk menyesuaikan ketinggian pemandu sudut, longgarkan tuas kunci ke bawah dan putar kenop hingga penunjuk mengarah ke angka skala yang diinginkan yang ditandai pada pemandu sudut.

- **Gbr.3:** 1. Kenop 2. Bawah 3. Atas 4. Pusat ketebalan mata pisau

Kemudian, kencangkan tuas kunci ke atas untuk mengikat pemandu sudut.

Skala pada pemandu sudut menunjukkan jarak dari atas benda kerja ke pusat ketebalan mata gergaji.

Pemandu sudut dapat dilepas dari pagar sesuai dengan kebutuhan pekerjaan Anda. Untuk melepaskan pemandu sudut, longgarkan tuas kunci dan putar kenop searah jarum jam hingga keluar dari ujung atas pagar.

## Pagar

### CATATAN:

- Lepaskan pemandu sudut sesuai dengan kebutuhan pekerjaan Anda saat menggunakan mesin dengan sudut pagar yang disetel ke angka selain 0°. Saat Anda perlu menggunakan pemandu sudut dengan kondisi di atas, pastikan untuk menyesuaikan kedalaman alur untuk mendapatkan kedalaman yang tepat.

- **Gbr.4:** 1. Pagar 2. Tuas kunci 3. Skala Sudut 4. Kencangkan 5. Kendurkan
- **Gbr.5:** 1. Tuas kunci 2. Penunjuk 3. Skala Sudut 4. Pusat ketebalan mata pisau 5. Penutup mata pisau

Sudut pagar dapat disetel antara 0° dan 90° (perhentian positif pada 0°, 45° dan 90°). Untuk menyesuaikan sudut, longgarkan tuas kunci dan miringkan pagar sampai penunjuk mengarah ke angka yang diinginkan pada skala sudut. Kemudian kencangkan tuas kunci untuk menamakan pagar.

Jika pagar diatur ke sudut 90°, jarak dari pusat ketebalan mata gergaji ke pagar dan jarak dari pusat ketebalan mata gergaji ke bagian bawah penutup mata gergaji adalah 10 mm.

## Pelat pengatur

- **Gbr.6:** 1. Tuas kunci 2. Penunjuk 3. Skala Sudut 4. Pelat pengatur 5. Ketebalan pelat pengatur 6. Pusat ketebalan mata pisau 7. Penutup mata pisau
- **Gbr.7:** 1. Pelat pengatur

Gunakan pelat pengatur seperti yang ditunjukkan pada gambar ketika memotong slot pada benda kerja yang tipis.

## Kerja sakelar

- **Gbr.8:** 1. Sakelar geser

### ⚠ PERHATIAN:

- Sebelum memasukkan steker, selalu periksa apakah tuas sakelar geser berfungsi dengan baik dan kembali ke posisi "OFF" saat bagian belakang tuas sakelar ditekan.
- Sakelar dapat dikunci dalam posisi "ON" untuk memberikan kenyamanan bagi operator selama penggunaan dalam jangka waktu lama. Selalu berhati-hatilah saat mengunci mesin dalam posisi "ON", dan pegang mesin kuat-kuat.

Untuk menjalankan mesin, gerakan saklar geser ke posisi "I (ON)". Untuk penggunaan terus menerus, tekan bagian depan sakelar geser untuk menguncinya. Untuk menghentikan mesin, tekan bagian belakang sakelar geser, kemudian menggesernya ke posisi "O (OFF)".

## PERAKITAN

### ⚠ PERHATIAN:

- Pastikan bahwa mesin dalam keadaan mati dan steker tercabut sebelum melakukan pekerjaan apa pun pada mesin.

## Melepas atau memasang mata pisau

- **Gbr.9:** 1. Mur kunci 2. Mata gergaji penyambung pelat 3. Flensa dalam 4. Sekrup penjepit 5. Penutup mata pisau 6. Kendurkan 7. Kencangkan 8. Kunci poros

### ⚠ PERHATIAN:

- Saat memasang mata gergaji penyambung pelat, pasang flensa bagian dalam dengan sisi bertanda "22" menghadap ke arah Anda.

Untuk melepaskan mata gergaji, longgarkan sekrup penjepit dan buka penutup mata gergaji. Dorong kunci poros dan longgarkan mur pengunci menggunakan kunci pas mur kunci. Untuk memasang mata gergaji, pasang dahulu flensa bagian dalam. Kemudian pasang mata gergaji dan mur kunci. Kencangkan mur pengunci kuat-kuat menggunakan kunci pas mur kunci. Tutup penutup mata gergaji dan kencangkan sekrup penjepit untuk mengamankan penutup mata gergaji.

### ⚠ PERHATIAN:

- Gunakan hanya kunci pas mur kunci Makita yang disediakan ketika melepas atau memasang mata gergaji.
- Selalu periksa kedalaman alur setelah mengganti mata gergaji. Sesuaikan kembali jika perlu.

## Kantong debu

- **Gbr.10:** 1. Kantong debu 2. Pengencang 3. Nosel debu

Untuk memasang kantong debu, paskan pada nosel debu. Jika kantong debu menjadi penghalang bagi pekerjaan Anda, putar nosel debu untuk mengubah posisi kantong debu. Ketika kantong debu sudah berisi kira-kira setengah penuh, matikan dan cabut steker mesin. Lepaskan kantong debu dari mesin dan tarik pengencang kantong keluar. Kosongkan kantong debu dengan menepuknya perlahan untuk menghilangkan debu sebanyak mungkin.

### CATATAN:

- Jika Anda menyambungkan pengisap debu Makita ke penyambung pelat Anda, maka bisa dilakukan pengoperasian yang lebih efisien dan lebih bersih.

# PENGOPERASIAN

## Cara membuat sambungan

### ⚠️ PERINGATAN:

- Selalu jepit benda kerja ke meja kerja sebelum menggunakannya.

- ▶ Gbr.11
- ▶ Gbr.12

### Sambungan Sudut (Gb. A)

- ▶ Gbr.13
- ▶ Gbr.14
- ▶ Gbr.15

### Sambungan T-Butt (Gb. B)

- ▶ Gbr.16
- ▶ Gbr.17
- ▶ Gbr.18

### Sambungan Miter (Gb. C)

- ▶ Gbr.19
- ▶ Gbr.20

### Sambungan Bingkai (Gb. D)

- ▶ Gbr.21
- ▶ Gbr.22

### Sambungan Ujung-Ke-Ujung (Gb. E)

- ▶ Gbr.23
- ▶ Gbr.24

Untuk membuat sambungan, lakukan hal berikut:

1. Pasangkan dua benda kerja bersama karena keduanya akan muncul di posisi sambungan akhir.
2. Tandai bagian tengah alur biskuit yang dimaksud pada benda kerja menggunakan pensil.

### CATATAN:

- Pusat alur harus setidaknya 50 mm dari tepi luar benda kerja.
- Berikan jarak 100 mm - 150 mm di antara alur pada beberapa aplikasi biskuit.

### 3. Hanya untuk Sambungan Sudut dan Sambungan T-Butt

Jepit benda kerja vertikal ke meja kerja.

#### Hanya untuk Sambungan Miter

Jepit satu benda kerja ke meja kerja dengan ujung yang disambung dengan miter menghadap ke atas.

#### Hanya untuk Sambungan Bingkai dan Sudut ke Sudut

Jepit satu benda kerja ke meja kerja.

4. Atur kedalaman alur sesuai dengan ukuran biskuit yang akan digunakan. Lihat tabel di bagian "Menyetel kedalaman alur".
5. Setel ketinggian pemandu sudut sehingga mata gergaji berada di tengah ketebalan papan.

6. Sejajarkan tanda tengah pada dudukan dengan garis pensil di atas benda kerja.
7. Nyalakan dan dorong mesin ke depan perlahan-lahan, lalu arahkan mata gergaji ke benda kerja.
8. Perlahan-lahan kembalihkan mesin ke posisi semula setelah sekrup penyetel mencapai penahan.
9. **Hanya untuk Sambungan Sudut dan Sambungan T-Butt**  
Jepit benda kerja horizontal ke meja kerja.  
**Hanya untuk Sambungan Miter**  
Jepit benda kerja lainnya ke meja kerja dengan ujung yang disambung dengan miter menghadap ke atas.  
**Hanya untuk Sambungan Bingkai dan Sudut ke Sudut**  
Jepit benda kerja lainnya ke meja kerja.
10. **Hanya untuk Sambungan Sudut**  
Tempatkan mesin pada benda kerja sehingga mata gergajinya menghadap ke bawah.  
**Hanya untuk Sambungan T-Butt**  
Lepas pemandu sudut dari mesin.  
Tempatkan mesin pada benda kerja sehingga mata gergajinya menghadap ke bawah.
11. Ulangi langkah 6 - 8 untuk membuat alur pada benda kerja horizontal atau benda kerja yang lain.

Jika Anda tidak perlu memusatkan mata gergaji pada ketebalan papan, lakukan sebagai berikut:

### Untuk Sambungan Sudut, Sambungan Miter, Sambungan Bingkai dan Sambungan Ujung-ke-Tepi saja

- Lepas pemandu sudut dari mesin. Atur pagar pada sudut 90° untuk Sambungan Sudut, Sambungan Bingkai dan Sambungan Ujung-Ke-Ujung atau pada sudut 45° untuk Sambungan Miter.
  - Ikuti langkah 1 - 11 kecuali langkah 5 dan 10 yang dijelaskan di atas.
- ### Hanya untuk Sambungan T-Butt
- Pasangkan dua benda kerja bersama karena keduanya akan muncul di posisi sambungan akhir.
  - Letakkan benda kerja vertikal pada yang horizontal. Jepit kedua benda kerja ke meja kerja.
  - Lepas pemandu sudut dari mesin.
  - Ikuti langkah 2, 4, 6, 7, 8 dan 11 yang dijelaskan di atas.

# PERAWATAN

## **⚠️ PERHATIAN:**

- Selalu pastikan bahwa mesin dimatikan dan steker dicabut sebelum melakukan pemeriksaan atau perawatan.
- Jangan sekali-kali menggunakan benzena, tiner, alkohol, atau bahan sejenisnya. Penggunaan bahan tersebut dapat menyebabkan perubahan warna, perubahan bentuk, atau timbulnya retakan.

► **Gbr.25:** 1. Ventilasi pengeluaran 2. Ventilasi penyerapan

Mesin dan ventilasi udara harus dijaga agar tetap bersih. Bersihkan ventilasi udara mesin secara teratur atau saat ventilasi mulai terganggu.

Untuk menjaga KEAMANAN dan KEANDALAN mesin, perbaikan, pemeriksaan dan penggantian sikat karbon, serta perawatan atau penyetelan lain harus dilakukan oleh Pusat Layanan Resmi Makita, selalu gunakan suku cadang pengganti buatan Makita.

# AKSESORI PILIHAN

## **⚠️ PERHATIAN:**

- Dianjurkan untuk menggunakan aksesoris atau perangkat tambahan ini dengan mesin Makita Anda yang ditentukan dalam petunjuk ini. Penggunaan aksesoris atau perangkat tambahan lain bisa menyebabkan risiko cedera pada manusia. Hanya gunakan aksesoris atau perangkat tambahan yang sesuai dengan tujuan yang telah ditetapkan.

Jika Anda memerlukan bantuan lebih terperinci berkenaan dengan aksesoris ini, tanyakan pada Pusat Layanan Makita terdekat.

- Pemandu Sudut
- Kantong debu
- Pelat pengatur 4
- Kunci pas mur kunci 20
- Mata gergaji penyambung pelat

## **CATATAN:**

- Beberapa item dalam daftar tersebut mungkin sudah termasuk dalam paket mesin sebagai aksesoris standar. Kelengkapan mesin dapat berbeda di setiap negara.

## SPEKIFIKASI

Model		PJ7000
Jenis bilah		Penanggam plat
Kedalaman alur maksimum	Bilah penanggam plat	20 mm
Kelajuan tanpa beban (min <sup>-1</sup> )		11,000
Panjang keseluruhan		302 mm
Berat bersih		2.5 kg
Kelas keselamatan		□/II

- Disebabkan program penyelidikan dan pembangunan kami yang berterusan, spesifikasi yang terkandung di dalam ini adalah tertakluk kepada perubahan tanpa notis.
- Spesifikasi mungkin berbeza mengikut negara.
- Berat mengikut Prosedur EPTA 01/2003

### Simbol

Berikut menunjukkan simbol-simbol yang digunakan untuk alat ini. Pastikan anda memahami maksudnya sebelum menggunakan.



Baca manual arahan.



PENEBATAN BERGANDA



Hanya untuk negara-negara Kesatuan Eropah  
 Jangan buang peralatan elektrik bersama bahan sisa rumah! Dalam mematuhi Arahan Eropah mengenai Sisa Peralatan Elektrik dan Elektronik serta pelaksanaannya mengikut undang-undang negara, peralatan elektrik yang telah mencapai akhir hayatnya mesti dikumpul secara berasingan dan dikembalikan ke kemudahan kitar semula yang bersesuaian dengan alam sekitar.

### Tujuan penggunaan

Alat ini bertujuan untuk memotong slot berbentuk sabit untuk penempatan penetap kayu rata atau biskut dengan tindakan junaman.

### Bekalan kuasa

Alat ini perlu disambungkan hanya kepada bekalan kuasa dengan voltan yang sama seperti yang ditunjukkan pada papan nama, dan hanya boleh dikendalikan pada bekalan AC fasa tunggal. Ia mempunyai penebatan berganda dan oleh itu, ia juga boleh digunakan dari soket tanpa wayar bumi.

### Amaran Keselamatan Umum Alat Kuasa

**⚠️ AMARAN** Baca semua amaran keselamatan dan semua arahan. Kegagalan mematuhi amaran dan arahan boleh menyebabkan kejutan elektrik, kebakaran dan/atau kecederaan serius.

### Simpan semua amaran dan arahan untuk rujukan masa depan.

Istilah "alat kuasa" dalam amaran merujuk kepada alat kuasa yang menggunakan tenaga elektrik (dengan kord) atau alat kuasa yang menggunakan bateri (tanpa kord).

#### Keselamatan kawasan kerja

1. **Pastikan kawasan kerja bersih dan terang.** Kawasan berselerak atau gelap mengundang kemalangan.
2. **Jangan kendalikan alat kuasa dalam keadaan yang mudah meletup, seperti dalam kehadiran cecair, gas atau habuk yang mudah terbakar.** Alat kuasa menghasilkan percikan api yang boleh menyalaikan debu atau wasap.
3. **Jauhkan kanak-kanak dan orang ramai semasa mengendalikan alat kuasa.** Gangguan boleh menyebabkan anda hilang kawalan.

#### Keselamatan elektrik

4. **Palam alat kuasa mesti sepadan dengan soket. Jangan ubah suai palam dalam apa cara sekalipun. Jangan gunakan sebarang palam penyesuai dengan alat kuasa terbumi.** Palam yang tidak diubah suai dan soket yang sepadan akan mengurangkan risiko kejutan elektrik.
5. **Elakkan sentuhan badan dengan permukaan terbumi, seperti paip, radiator, dapur dan peti sejuk.** Terdapat peningkatan risiko kejutan elektrik jika elektrik terbumi terkena badan anda.
6. **Jangan biarkan alat kuasa terkena hujan atau basah.** Air yang memasuki alat kuasa akan meningkatkan risiko kejutan elektrik.
7. **Jangan salah gunakan kord. Jangan gunakan kord untuk membawa, menarik atau mencabut palam alat kuasa. Jauhkan kord dari haba, minyak, bucu tajam atau bahagian yang bergerak.** Kord yang rosak atau tersimpul meningkatkan risiko kejutan elektrik.

8. **Semasa mengendalikan alat kuasa di luar, gunakan kord sambungan yang bersesuaian untuk kegunaan luar.** Penggunaan kord yang sesuai untuk kegunaan luar mengurangkan risiko kejutan elektrik.
9. **Sekiranya pengendalian alat kuasa di lokasi lembap tidak dapat dielakkan, gunakan bekalan peranti arus sisa (RCD) yang dilindungi.** Penggunaan RCD mengurangkan risiko kejutan elektrik.
10. **Penggunaan bekalan kuasa melalui RCD dengan arus sisa yang bernilai 30 mA atau kurang sentiasa disyorkan.**

#### **Keselamatan diri**

11. **Sentiasa berwaspada, perhatikan apa yang anda lakukan dan guna akal budi semasa mengendalikan alat kuasa. Jangan gunakan alat kuasa semasa anda letih atau di bawah pengaruh dadah, alkohol atau ubat.** Kelekaan seketika semasa mengendalikan alat kuasa boleh menyebabkan kecederaan diri yang serius.
12. **Gunakan peralatan pelindung diri. Sentiasa pakai pelindung mata.** Peralatan pelindung seperti topeng debu, kasut keselamatan tak mudah tergelincir, topi keselamatan atau pelindung pendengaran yang digunakan untuk keadaan yang sesuai akan mengurangkan kecederaan diri.
13. **Elakkan permulaan yang tidak disengajakan. Pastikan suis ditutup sebelum menyambung kepada sumber kuasa dan/atau pek bateri, semasa mengangkat atau membawa alat.** Membawa alat kuasa dengan jari anda pada suis atau alat kuasa dengan suis pada kedudukan hidup mengundang kemalangan.
14. **Alihkan sebarang kunci atau sepana pelaras sebelum menghidupkan alat kuasa.** Sepana atau kunci yang ditinggalkan pada bahagian berputar alat kuasa boleh menyebabkan kecederaan diri.
15. **Jangan lampau jangkau. Jaga pijakan dan keseimbangan yang betul pada setiap masa.** Ini membolehkan kawalan alat kuasa yang lebih baik dalam situasi yang tidak dijangka.
16. **Berpakaian dengan betul. Jangan pakai pakaian yang longgar atau barang kemas. Jauhkan rambut, pakaian, dan sarung tangan anda dari bahagian yang bergerak.** Pakaian longgar, barang kemas atau rambut yang panjang boleh terperangkap dalam bahagian yang bergerak.
17. **Jika peranti disediakan untuk sambungan kemudahan pengekstrakan dan pengumpulan habuk, pastikan ia disambung dan digunakan dengan betul.** Penggunaan pengumpulan habuk boleh mengurangkan bahaya berkaitan habuk.

#### **Penggunaan dan penjagaan alat kuasa**

18. **Jangan gunakan alat kuasa dengan kasar. Gunakan alat kuasa yang betul untuk penggunaan anda.** Alat kuasa yang betul akan melakukan tugas dengan lebih baik dan lebih selamat pada kadar mana ia direka cipta.

19. **Jangan gunakan alat kuasa jika suis tidak berfungsi untuk menghidupkan dan mematikannya.** Alat kuasa yang tidak dapat dikawal dengan suis adalah berbahaya dan mesti dibaiki.
20. **Cabut palam dari sumber kuasa dan/atau pek bateri dari alat kuasa sebelum membuat sebarang pelarasan, menukar aksesori, atau menyimpan alat kuasa.** Langkah-langkah keselamatan pencegahan sedemikian mengurangkan risiko memulakan alat kuasa secara tidak sengaja.
21. **Simpan alat kuasa yang tidak digunakan jauh dari jangkauan kanak-kanak dan jangan biarkan orang yang tidak biasa dengan alat kuasa atau arahan ini untuk mengendalikan alat kuasa.** Alat kuasa adalah berbahaya di tangan pengguna yang tidak terlatih.
22. **Menyelenggara alat kuasa. Periksa salah jajaran atau ikatan pada bahagian yang bergerak, bahagian yang pecah dan apa-apa keadaan lain yang boleh menjejaskan operasi alat kuasa. Jika rosak, baiki alat kuasa sebelum digunakan.** Kebanyakan kemalangan adalah disebabkan oleh alat kuasa yang tidak dijaga dengan baik.
23. **Pastikan alat pemotong tajam dan bersih.** Alat pemotong yang dijaga dengan betul dengan hujung pemotong yang tajam mempunyai kemungkinan yang rendah untuk terikat dan lebih mudah dikendalikan.
24. **Gunakan alat kuasa, aksesori dan alat bit dan sebagainya mengikut arahan ini dengan mengambil kira keadaan kerja dan kerja yang perlu dilakukan.** Penggunaan alat kuasa untuk operasi yang berbeza dari yang dimaksudkan boleh menyebabkan keadaan berbahaya.

#### **Servis**

25. **Pastikan alat kuasa anda diservis oleh orang yang berkelayakan dengan hanya menggunakan alat ganti yang sama.** Ini akan memastikan keselamatan alat kuasa dapat dikekalkan.
26. **Ikut arahan untuk melincir dan menukar aksesori.**
27. **Pastikan pemegang sentiasa kering, bersih dan bebas dari minyak dan gris.**

### **AMARAN KESELAMATAN PENGGAM PLAT**

1. **Bilah mesti terkadar untuk sekurang-kurangnya kelajuan yang ditanda pada alat.** Bilah yang berjalan melebihi kelajuan terkadar boleh berkecai dan menyebabkan kecederaan.
2. **Sentiasa gunakan pengadang.** Pengadang melindungi pengendali daripada serpihan bilah yang pecah dan sentuhan dengan bilah tanpa sengaja.
3. **Pegang alat kuasa dengan permukaan mencengkam terbebat kerana bilah boleh tersentuh kordnya sendiri.** Memotong wayar "hidup" boleh menyebabkan bahagian logam terdedah alat kuasa "hidup" dan boleh memberi kejutan elektrik kepada pengendali.



4. Gunakan hanya bilah yang khusus untuk alat ini.
5. Jangan sekali-kali mengendalikan alat dengan bilah yang terkunci dalam kedudukan terdedah atau tanpa penutup bilah dipasang dengan betul.
6. Pastikan bilah meluncur dengan lancar sebelum operasi.
7. Periksa bilah dengan teliti untuk melihat keretakan atau kerosakan sebelum operasi. Gantikan bilah yang retak atau rosak dengan segera.
8. Pastikan bibir muat dalam lubang arbor apabila memasang bilah.
9. Periksa untuk dan keluarkan semua paku atau objek asing daripada bahan kerja sebelum operasi.
10. Sentiasa letakkan bahan kerja pada meja kerja yang stabil.
11. Kukuhkan bahan kerja dengan kuat menggunakan pengapit atau ragum.
12. **JANGAN** memakai sarung tangan semasa operasi.
13. Pegang alat dengan kuat menggunakan kedua-dua tangan.
14. Jauhkan tangan dan badan anda dari kawasan pengaluran.
15. Jalankan alat buat seketika tanpa bilah menunjuk ke arah sesiapa. Perhatikan getaran atau goyangan yang boleh menandakan pemasangan yang lemah atau bilah yang sangat tidak seimbang.
16. Jangan sekali-kali mencapai tangan anda di bawah bahan kerja ketika bilah berputar.
17. Jangan tinggalkan alat yang sedang berjalan tanpa pengawasan.
18. Sentiasa pastikan alat dimatikan dan palam dicabut sebelum melakukan sebarang pelarasan atau menukar bilah.
19. Sesetengah bahan mengandungi bahan kimia yang mungkin toksik. Sila berhati-hati untuk mencegah penyedutan habuk dan sentuhan kulit. Ikut data keselamatan pembekal bahan.
20. Jangan gunakan bilah yang tumpul atau rosak.
21. Jangan gunakan alat dengan pengadang yang rosak.

## SIMPAN ARAHAN INI.

**⚠AMARAN:** JANGAN biarkan keselesaan atau kebiasaan dengan produk (daripada penggunaan berulang) menggantikan pematuhan ketat terhadap peraturan keselamatan untuk produk yang ditetapkan. **SALAH GUNA** atau kegagalan mematuhi peraturan-peraturan keselamatan yang dinyatakan dalam manual arahan ini boleh menyebabkan kecederaan diri yang serius.

## KETERANGAN FUNGSI

### ⚠PERHATIAN:

- Sentiasa pastikan alat dimatikan dan palamnya dicabut sebelum menyelaras atau menyemak fungsi pada alat.

## Melaraskan kedalaman alur

- **Rajah1:** 1. Penunjuk 2. Penahan 3. Skru pelaras 4. Pepaku getah

6 kedalaman pengaluran boleh dipratetap mengikut saiz biskut yang akan digunakan. Rujuk jadual di bawah untuk kesepadanan antara saiz yang ditandakan pada penahan dan saiz biskut. Pelarasan halus kepada kedalaman pengaluran boleh dilakukan dengan memutar skru penyesuai setelah melonggarkan nat heksagon. Ini mungkin perlu selepas bilah telah diasah beberapa kali.

Saiz pada penahan	0	10	20	S	D	MAX
Saiz biskut	0	10	20	—	—	—
Kedalaman alur	8 mm	10 mm	12.3mm	13 mm	14.7mm	20 mm*

\* Dengan pepaku getah ditanggalkan.

## Panduan sudut

Ketinggian panduan sudut boleh digerakkan ke atas dan ke bawah untuk melaraskan kedudukan bilah yang berkaitan dengan bahagian atas bahan kerja.

- **Rajah2:** 1. Tuil kunci 2. Panduan sudut 3. Tombol 4. Skala 5. Penunjuk 6. Ketatkan 7. Longgarkan

Untuk melaraskan ketinggian panduan sudut, longgarkan tuil kunci ke bawah dan putar tombol sehingga penunjuk menunjuk ke senggatan skala yang ditanda pada panduan sudut.

- **Rajah3:** 1. Tombol 2. Bawah 3. Atas 4. Pusat ketebalan bilah

Kemudian ketatkan tuil kunci untuk mengukuhkan panduan sudut.

Skala pada panduan sudut menunjukkan jarak dari bahagian atas bahan kerja ke pusat ketebalan bilah. Panduan sudut boleh ditanggalkan dari pagar mengikut keperluan kerja anda. Untuk menanggalkan panduan sudut, longgarkan tuil kunci dan putar tombol mengikut arah jam sehingga terkeluar dari hujung atas pagar.

## Pagar

### NOTA:

- Tanggalkan panduan sudut mengikut keperluan kerja anda apabila menggunakan alat dengan sudut pagar diselaraskan kepada selain daripada 0°. Apabila anda perlu menggunakan panduan sudut dalam keadaan di atas, pastikan anda melaraskan kedalaman alur untuk mendapatkan kedalaman yang betul.

- **Rajah4:** 1. Pagar 2. Tuil kunci 3. Skala sudut 4. Ketatkan 5. Longgarkan
- **Rajah5:** 1. Tuil kunci 2. Penunjuk 3. Skala sudut 4. Pusat ketebalan bilah 5. Penutup bilah

Sudut pagar boleh diselaraskan antara 0° dan 90° (hentian positif pada 0°, 45° dan 90°). Untuk melaraskan sudut, longgarkan tuil kunci dan setatkan pagar sehingga penunjuk menunjuk ke senggatan yang dikehendaki pada skala sudut. Kemudian ketatkan tuil kunci untuk mengukuhkan pagar.

Apabila pagar ditetapkan pada 90°, jarak dari pusat ketebalan bilah ke pagar dan jarak dari pusat ketebalan bilah ke bawah penutup bilah ialah 10 mm.

## Plat tetapan

- **Rajah6:** 1. Tuil kunci 2. Penunjuk 3. Skala sudut 4. Plat tetapan 5. Ketebalan plat tetapan 6. Pusat ketebalan bilah 7. Penutup bilah
- **Rajah7:** 1. Plat tetapan

Gunakan plat tetapan seperti yang ditunjukkan dalam rajah apabila memotong slot pada bahan kerja nipis.

## Tindakan suis

- **Rajah8:** 1. Suis luncur

### ⚠PERHATIAN:

- Sebelum memasang alat, sentiasa periksa untuk melihat suis luncur bergerak dengan betul dan kembali ke posisi "OFF" apabila bahagian belakang suis luncur ditekan.
- Suis boleh dikunci dalam kedudukan "ON" untuk memudahkan keselesaan pengendali semasa penggunaan berpanjangan. Berhati-hati semasa mengunci alat dalam kedudukan "ON" dan kekalkan genggamannya yang kukuh pada alat.

Untuk memulakan alat, luruskan suis luncur ke arah posisi "I (ON)". Untuk operasi yang berterusan, tekan bahagian depan suis luncur untuk menguncinya. Untuk menghentikan alat, tekan bahagian belakang suis luncur, kemudian luruskan ia ke arah posisi "O (OFF)".

## PEMASANGAN

### ⚠PERHATIAN:

- Sentiasa pastikan alat dimatikan dan palangnya dicabut sebelum menjalankan apa-apa kerja pada alat.

## Mengeluarkan atau memasang bilah

- **Rajah9:** 1. Nat kunci 2. Bilah penanggam plat 3. Bibir dalaman 4. Skru pengapit 5. Penutup bilah 6. Longgarkan 7. Ketatkan 8. Kunci aci

### ⚠PERHATIAN:

- Apabila memasang bilah penanggam plat, pasangannya bibir dalaman dengan sisi yang bertanda "22" menghadap ke arah anda.

Untuk menanggalkan bilah, longgarkan skru pengapit dan buka penutup bilah. Tolak kunci aci dan longgarkan nat kunci menggunakan perengkuh nat kunci. Untuk memasang bilah, mula-mula lepaskan bibir dalaman. Kemudian lepaskan bilah dan nat kunci. Ketatkan nat kunci dengan kukuh menggunakan perengkuh nat kunci. Tutup penutup bilah dan ketatkan skru pengapit untuk mengukuhkan penutup bilah.

### ⚠PERHATIAN:

- Gunakan hanya perengkuh nat kunci Makita yang disediakan untuk menanggalkan atau memasang bilah.
- Sentiasa periksa kedalaman alur selepas menggantikan bilah. Laraskan semula jika perlu.

## Beg habuk

- **Rajah10:** 1. Beg habuk 2. Pengikat 3. Muncung habuk

Untuk memasang beg habuk, muatkan ia ke dalam muncung habuk. Jika beg habuk menjadi penghalang kepada kerja anda, pusingkan muncung habuk untuk menukar kedudukan beg habuk. Apabila beg habuk kira-kira setengah penuh, matikan dan cabut palam alat tersebut. Keluarkan beg habuk dari alat dan tarik keluar pengikat beg itu. Kosongkan beg habuk dengan mengetuknya dengan perlahan untuk mengeluarkan sebanyak mungkin habuk.

### NOTA:

- Jika anda menyambungkan pembersih hampagas Makita pada penanggam plat anda, operasi yang lebih cekap dan bersih boleh dilakukan.

# OPERASI

## Cara membuat tanggam

### ⚠️ AMARAN:

- Sentiasa kepit bahan kerja ke meja kerja sebelum setiap operasi.

▶ Rajah11

▶ Rajah12

### Tanggam Penjuru (Raj. A)

▶ Rajah13

▶ Rajah14

▶ Rajah15

### Tanggam Temu T (Raj. B)

▶ Rajah16

▶ Rajah17

▶ Rajah18

### Tanggam Sudut Tepat (Raj. C)

▶ Rajah19

▶ Rajah20

### Tanggam Pemedang (Raj. D)

▶ Rajah21

▶ Rajah22

### Tanggam Temu Tepi (Raj. E)

▶ Rajah23

▶ Rajah24

Untuk membuat tanggam, teruskan seperti berikut:

1. Padankan kedua-dua bahan kerja bersama-sama kerana ia akan muncul dalam kedudukan tanggam siap.
2. Tandakan tengah alur biskut yang ditujukan pada bahan kerja menggunakan pensel.

### NOTA:

- Pusat alur haruslah sekurang-kurangnya 50 mm dari tepi luar bahan kerja.
- Biarkan 100 mm - 150 mm antara alur dalam pelbagai aplikasi biskut.

#### 3. **Untuk Tanggam Penjuru dan Tanggam Temu T sahaja**

Kepit bahan kerja menegak ke meja kerja.

#### **Untuk Tanggam Sudut Tepat sahaja**

Kepit satu bahan kerja ke meja kerja dengan tepi bersudut tegak menghadap ke atas.

#### **Untuk Tanggam Pemedang dan Tanggam Temu Tepi sahaja**

Kepit satu bahan kerja ke meja kerja.

4. Tetapkan kedalaman alur mengikut saiz biskut yang akan digunakan. Rujuk jadual di bahagian "Melaraskan kedalaman alur".
5. Laraskan ketinggian panduan sudut supaya bilah berpusat pada ketebalan papan.
6. Laraskan tanda tengah pada tapak dengan garis pensel pada bahan kerja.
7. Hidupkan alat dan tolak dengan perlahan-lahan ke depan untuk memasukkan bilah ke dalam bahan kerja.
8. Kembalikan alat perlahan-lahan ke kedudukan asal selepas skru penyesuaian sampai kepada penahan.
9. **Untuk Tanggam Penjuru dan Tanggam Temu T sahaja**  
Kepit bahan kerja mendarat ke meja kerja.
- Untuk Tanggam Sudut Tepat sahaja**  
Kepit bahan kerja yang lain ke meja kerja dengan tepi bersudut tegak menghadap ke atas.
- Untuk Tanggam Pemedang dan Tanggam Temu Tepi sahaja**  
Kepit bahan kerja yang lain ke meja kerja.
10. **Untuk Tanggam Penjuru sahaja**  
Letakkan alat pada bahan kerja supaya bilah menghadap ke bawah.
- Untuk Tanggam Temu T sahaja**  
Tanggalkan panduan sudut daripada alat. Letakkan alat pada bahan kerja supaya bilah menghadap ke bawah.
11. Ulangi langkah 6 - 8 untuk membuat alur dalam bahan kerja mendarat atau yang lain.

Jika anda tidak perlu memusatkan bilah dalam ketebalan papan, teruskan seperti berikut:

#### **Untuk Tanggam Penjuru, Tanggam Sudut Tepat, Tanggam Pemedang dan Tanggam Temu Tepi sahaja**

- Tanggalkan panduan sudut daripada alat. Tetapkan pagar pada 90° bagi Tanggam Penjuru, Tanggam Pemedang dan Tanggam Temu Tepi atau pada 45° untuk Tanggam Sudut Tepat.
- Ikuti langkah 1 - 11 kecuali langkah 5 dan 10 yang diterangkan di atas.
- Untuk Tanggam Temu T sahaja**
- Padankan kedua-dua bahan kerja bersama-sama kerana ia akan muncul dalam kedudukan tanggam siap.
- Letakkan bahan kerja menegak pada bahan kerja mendarat. Kepit kedua-dua bahan kerja ke meja kerja.
- Tanggalkan panduan sudut daripada alat.
- Ikuti langkah 2, 4, 6, 7, 8 dan 11 yang diterangkan di atas.

## PENYELENGGARAAN

### PERHATIAN:

- Sentiasa pastikan alat dimatikan dan palamnya dicabut sebelum cuba untuk melakukan pemeriksaan atau penyelenggaraan.
- Jangan gunakan gasolin, benzin, pencair, alkohol atau bahan yang serupa. Ia boleh menyebabkan perubahan warna, bentuk atau keretakan.

► **Rajah25:** 1. Bolong ekzos 2. Bolong penyedutan

Alat dan bolong udaranya perlu sentiasa bersih. Bersihkan bolong udara alat dengan kerap atau apabila bolong tersebut mula tersekat.

Untuk mengekalkan KESELAMATAN dan KEBOLEHPERCAYAAN produk, pembaikan, pemeriksaan dan penggantian berus karbon, apa-apa penyelenggaraan atau penyesuaian lain perlu dilakukan oleh Pusat Servis Makita yang Diiktiraf, sentiasa gunakan alat ganti Makita.

## AKSESORI PILIHAN

### PERHATIAN:

- Aksesori atau alat tambahan ini adalah disyorkan untuk digunakan dengan alat Makita anda yang dinyatakan dalam manual ini. Penggunaan mana-mana aksesori atau alat tambahan lain mungkin mengakibatkan risiko kecederaan kepada individu. Hanya gunakan aksesori atau penyambung untuk tujuan yang dinyatakannya.

Jika anda memerlukan sebarang bantuan untuk maklumat lebih lanjut mengenai aksesori ini, tanya Pusat Servis Makita tempatan anda.

- Panduan sudut
- Beg habuk
- Plat tetapan 4
- Perengkuh nat kunci 20
- Bilah penanggam plat

### NOTA:

- Beberapa item dalam senarai mungkin disertakan dalam pakej alat sebagai aksesori standard. Item mungkin berbeza mengikut negara.

# THÔNG SỐ KỸ THUẬT

Kiểu		PJ7000
Loại lưỡi		Máy ghép móng cầm tay hoạt động bằng động cơ điện
Độ sâu rãnh tối đa	Lưỡi máy ghép móng cầm tay hoạt động bằng động cơ điện	20 mm
Tốc độ không tải (min <sup>-1</sup> )		11.000
Chiều dài tổng thể		302 mm
Khối lượng tịnh		2,5 kg
Cấp an toàn		□/II

- Do chương trình nghiên cứu và phát triển liên tục của chúng tôi nên các thông số kỹ thuật trong đây có thể thay đổi mà không cần thông báo trước.
- Các thông số kỹ thuật có thể thay đổi tùy theo từng quốc gia.
- Khối lượng tùy theo Quy trình EPTA tháng 01/2003

## Ký hiệu

Phân dưới đây cho biết các ký hiệu được dùng cho thiết bị. Đảm bảo rằng bạn hiểu rõ ý nghĩa của các ký hiệu này trước khi sử dụng.



Đọc tài liệu hướng dẫn.



CÁCH ĐIỆN CẤP 2



Chỉ dành cho các quốc gia EU  
Không tháo bỏ thiết bị điện cùng với các chất thải sinh hoạt! Để tuân thủ Chỉ thị của Châu Âu về thiết bị điện và điện tử thải bỏ, và thi hành những chỉ thị này phù hợp với luật lệ quốc gia, thiết bị điện tử không còn sử dụng được nữa phải được thu nhận riêng và đưa trở lại một cơ sở tái chế tương thích với môi trường.

## Mục đích sử dụng

Dụng cụ này được dùng để cắt các khe hình lưỡi liềm nhằm đặt các chốt hoặc khuôn vó móng bằng gỗ bằng phẳng qua hành động chúi xuống.

## Nguồn cấp điện

Dụng cụ này chỉ được nối với nguồn cấp điện có điện áp giống như đã chỉ ra trên biển tên và chỉ có thể được vận hành trên nguồn điện AC một pha. Chúng được cách điện hai lớp và do đó cũng có thể được sử dụng từ các ổ cắm điện không có dây tiếp đất.

## Cảnh báo An toàn Chung dành cho Dụng cụ Máy

**⚠ CẢNH BÁO** Đọc tất cả các cảnh báo an toàn và hướng dẫn. Việc không tuân theo các cảnh báo và hướng dẫn có thể dẫn đến điện giật, hỏa hoạn và/hoặc thương tích nghiêm trọng.

**Lưu giữ tất cả cảnh báo và hướng dẫn để tham khảo sau này.**

Thuật ngữ “dụng cụ máy” ở mục cảnh báo là nói đến dụng cụ máy dùng điện (có dây) hoặc dụng cụ máy dùng pin (không dây).

### An toàn tại nơi làm việc

1. **Giữ nơi làm việc sạch sẽ và có đủ ánh sáng.**  
Nơi làm việc bừa bộn hoặc tối thường dễ gây ra tai nạn.
2. **Không vận hành dụng cụ máy trong môi trường cháy nổ, ví dụ như môi trường có sự hiện diện của các chất lỏng, khí hoặc bụi dễ cháy.** Các dụng cụ máy tạo tia lửa điện có thể làm bụi hoặc khí bốc cháy.
3. **Giữ trẻ em và người ngoài tránh xa nơi làm việc khi đang vận hành dụng cụ máy.** Sự xao lãng có thể khiến bạn mất khả năng kiểm soát.

### An toàn về Điện

4. **Phích cắm của dụng cụ máy phải khớp với ổ cắm. Không được sửa đổi phích cắm theo bất kỳ cách nào. Không sử dụng bất kỳ phích cắm chuyên đổi nào với các dụng cụ máy được nối đất (tiếp đất).** Các phích cắm còn nguyên vẹn và ổ cắm phù hợp sẽ giảm nguy cơ điện giật.
5. **Tránh để cơ thể tiếp xúc với các bề mặt nóng đất hoặc tiếp đất như đường ống, bộ tản nhiệt, bếp ga và tủ lạnh.** Nguy cơ bị điện giật sẽ tăng lên nếu cơ thể bạn được nối đất hoặc tiếp đất.
6. **Không để dụng cụ máy tiếp xúc với mưa hoặc trong điều kiện ẩm ướt.** Nước lọt vào dụng cụ máy sẽ làm tăng nguy cơ điện giật.
7. **Không lạm dụng dây điện. Không được phép sử dụng dây để mang, kéo hoặc tháo phích cắm dụng cụ máy. Giữ dây tránh xa nguồn nhiệt, dầu, các mép sắc hoặc các bộ phận chuyển động.** Dây bị hỏng hoặc bị rối sẽ làm tăng nguy cơ điện giật.
8. **Khí vận hành dụng cụ máy ngoài trời, hãy sử dụng dây kéo dài phù hợp cho việc sử dụng ngoài trời.** Việc dùng dây phù hợp cho việc sử dụng ngoài trời sẽ giảm nguy cơ điện giật.
9. **Nếu bắt buộc phải vận hành dụng cụ máy ở nơi ẩm ướt, hãy sử dụng nguồn cấp điện được bảo vệ bằng thiết bị ngắt dòng điện rò (RCD).** Việc sử dụng RCD sẽ giảm nguy cơ điện giật.

10. **Chúng tôi luôn khuyên bạn sử dụng nguồn cấp điện qua thiết bị RCD có thể ngắt dòng điện rò định mức 30mA hoặc thấp hơn.**
- An toàn Cá nhân**
11. **Luôn tỉnh táo, quan sát những việc bạn đang làm và sử dụng những phán đoán theo kinh nghiệm khi vận hành dụng cụ máy. Không sử dụng dụng cụ máy khi bạn đang mệt mỏi hoặc chịu ảnh hưởng của ma túy, rượu hay thuốc. Chỉ một khoảnh khắc không tập trung khi đang vận hành dụng cụ máy cũng có thể dẫn đến thương tích cá nhân nghiêm trọng.**
  12. **Sử dụng thiết bị bảo hộ cá nhân. Luôn đeo thiết bị bảo vệ mắt. Các thiết bị bảo hộ như mặt nạ chống bụi, giày an toàn chống trượt, mũ bảo hộ hay thiết bị bảo vệ thính giác được sử dụng trong các điều kiện thích hợp sẽ giúp giảm thương tích cá nhân.**
  13. **Tránh vô tình khởi động dụng cụ máy. Đảm bảo công tắc ở vị trí off (tắt) trước khi nối nguồn điện và/hoặc bộ pin, cảm hoặc mang dụng cụ máy. Việc mang dụng cụ máy khi đang đặt ngón tay ở vị trí công tắc hoặc cấp điện cho dụng cụ máy đang bật thường dễ gây ra tai nạn.**
  14. **Tháo mọi khóa hoặc chia vận điều chỉnh trước khi bật dụng cụ máy. Việc chia vận hoặc khóa vẫn còn gắn vào bộ phận quay của dụng cụ máy có thể dẫn đến thương tích cá nhân.**
  15. **Không vớ quá cao. Luôn giữ thẳng bằng tốt và có chỗ để chân phù hợp. Điều này cho phép điều khiển dụng cụ máy tốt hơn trong những tình huống bất ngờ.**
  16. **Ăn mặc phù hợp. Không mặc quần áo rộng hay đeo đồ trang sức. Giữ tóc, quần áo và găng tay tránh xa các bộ phận chuyển động. Quần áo rộng, đồ trang sức hay tóc dài có thể mắc vào các bộ phận chuyển động.**
  17. **Nếu cần thiết bị được cung cấp để kết nối các thiết bị thu gom và hút bụi, hãy đảm bảo chúng được kết nối và sử dụng hợp lý. Việc sử dụng thiết bị thu gom bụi có thể làm giảm những mối nguy hiểm liên quan đến bụi.**

**Bảo dưỡng**

21. **Đảm bảo dụng cụ máy, phụ tùng và đầu dụng cụ cắt, v.v... theo các hướng dẫn này, có tính đến điều kiện làm việc và công việc được thực hiện. Việc sử dụng dụng cụ máy cho các công việc khác với công việc dự định có thể gây nguy hiểm.**
22. **Bảo quản dụng cụ máy. Kiểm tra tình trạng lịch trực hoặc bó kẹp của các bộ phận chuyển động, hiện tượng nứt vỡ của các bộ phận và mọi tình trạng khác mà có thể ảnh hưởng đến hoạt động của dụng cụ máy. Nếu có hỏng hóc, hãy sửa chữa dụng cụ máy trước khi sử dụng. Nhiều tai nạn xảy ra là do không bảo quản tốt dụng cụ máy.**
23. **Luôn giữ cho dụng cụ cắt được sắc bén và sạch sẽ. Những dụng cụ cắt được bảo quản tốt có mép cắt sắc sẽ ít bị kẹt hơn và dễ điều khiển hơn.**
24. **Sử dụng dụng cụ máy, phụ tùng và đầu dụng cụ cắt, v.v... theo các hướng dẫn này, có tính đến điều kiện làm việc và công việc được thực hiện. Việc sử dụng dụng cụ máy cho các công việc khác với công việc dự định có thể gây nguy hiểm.**

25. **Đề nghị viên sửa chữa đủ trình độ bảo dưỡng dụng cụ máy của bạn và chỉ sử dụng các bộ phận thay thế đồng nhất. Việc này sẽ đảm bảo duy trì được độ an toàn của dụng cụ máy.**
26. **Tuân theo hướng dẫn dành cho việc bôi trơn và thay phụ tùng.**
27. **Giữ tay cầm khô, sạch, không dính dầu và mỡ.**

**CẢNH BÁO AN TOÀN MÁY GHÉP MỘNG CẢM TAY HOẠT ĐỘNG BẰNG ĐỘNG CƠ ĐIỆN**

18. **Không dùng lực đối với dụng cụ máy. Sử dụng đúng dụng cụ máy cho công việc của bạn. Sử dụng đúng dụng cụ máy sẽ giúp thực hiện công việc tốt hơn và an toàn hơn theo giá trị định mức được thiết kế của dụng cụ máy đó.**
19. **Không sử dụng dụng cụ máy nếu công tắc không bật và tắt được dụng cụ máy đó. Mọi dụng cụ máy không thể điều khiển được bằng công tắc đều rất nguy hiểm và phải được sửa chữa.**
20. **Rút phích cắm ra khỏi nguồn điện và/hoặc ngắt kết nối bộ pin khỏi dụng cụ máy trước khi thực hiện bất kỳ công việc điều chỉnh, thay đổi phụ tùng hay cất giữ dụng cụ máy nào. Những biện pháp an toàn phòng ngừa này sẽ giảm nguy cơ vô tình khởi động dụng cụ máy.**
21. **Cất giữ các dụng cụ máy không sử dụng ngoài tầm với của trẻ em và không cho bất kỳ người nào không có hiểu biết về dụng cụ máy hoặc các hướng dẫn này vận hành dụng cụ máy. Dụng cụ máy sẽ rất nguy hiểm nếu được sử dụng bởi những người dùng chưa qua đào tạo.**

**Sử dụng và bảo quản dụng cụ máy**

1. **Các lưỡi phải được định mức ít nhất ở tốc độ được đánh dấu trên dụng cụ. Các lưỡi đang chạy vượt tốc độ định mức có thể bay ra và gây thương tích.**
2. **Luôn sử dụng phần bảo vệ. Phần bảo vệ sẽ bảo vệ người vận hành khỏi các mảnh lưỡi bị vỡ và vô ý tiếp xúc với lưỡi.**
3. **Giữ dụng cụ máy bằng các bề mặt kẹp cách điện, vì lưỡi có thể tiếp xúc với dây điện của chính nó. Việc cắt một dây dẫn "có điện" có thể khiến các bộ phận kim loại bị hở của dụng cụ máy "có điện" và làm cho người vận hành bị điện giật.**
4. **Chỉ sử dụng các lưỡi được quy định cho dụng cụ này.**
5. **Không bao giờ vận hành dụng cụ với lưỡi bị khóa ở vị trí bị hở hoặc không có nắp đậy lưỡi cắt được cố định đúng vị trí.**
6. **Đảm bảo rằng lưỡi trượt trơn tru trước khi vận hành.**
7. **Kiểm tra các lưỡi thật cẩn thận xem có nứt hoặc hư hỏng gì không trước khi vận hành. Thay thế các lưỡi bị nứt hoặc hư hỏng ngay lập tức.**
8. **Đảm bảo rằng vành khớp vào lỗ tâm khi lắp lưỡi.**
9. **Kiểm tra và gỡ bỏ tất cả đinh hoặc ngoại vật ra khỏi phiá gia công trước khi vận hành.**
10. **Luôn đặt phiá gia công trên bàn gia công kiên cố.**
11. **Cố định chặt phiá gia công bằng bàn kẹp hoặc dụng cụ bảo vệ.**
12. **KHÔNG BAO GIỜ đeo găng tay trong lúc vận hành.**

13. **Cầm chắc dụng cụ bằng cả hai tay.**
14. **Giữ tay và cơ thể của bạn tránh xa khỏi khu vực rãnh.**
15. **Chạy dụng cụ một lúc mà không để lưỡi hướng về bất kỳ ai. Theo dõi sự rung hay lắc có thể phát hiện lấp ráp kém hay lưỡi chưa cân bằng.**
16. **Không bao giờ chạm tay bạn vào bên dưới phôi gia công trong khi lưỡi đang quay.**
17. **Không để mặc dụng cụ chạy mà không giám sát.**
18. **Luôn đảm bảo rằng dụng cụ đã được tắt và rút phích cắm trước khi thực hiện bất kỳ sự điều chỉnh nào hoặc thay thế lưỡi.**
19. **Một số vật liệu có thể chứa hóa chất độc hại. Phải cẩn trọng để tránh hít phải bụi và tiếp xúc với da. Tuân theo dữ liệu an toàn của nhà cung cấp vật liệu.**
20. **Không sử dụng lưỡi cắt bị cùn hoặc hư hỏng.**
21. **Không sử dụng dụng cụ với phần bảo vệ bị hỏng.**

## LƯU GIỮ CÁC HƯỚNG DẪN NÀY.

**⚠ CẢNH BÁO: KHÔNG** vì đã thoải mái hay quen thuộc với sản phẩm (có được do sử dụng nhiều lần) mà không tuân thủ nghiêm ngặt các quy định về an toàn dành cho sản phẩm này. **VIỆC DÙNG SAI** hoặc không tuân theo các quy định về an toàn được nêu trong tài liệu hướng dẫn này có thể dẫn đến thương tích cá nhân nghiêm trọng.

## MÔ TẢ CHỨC NĂNG

### ⚠ THẬN TRỌNG:

- Luôn đảm bảo rằng dụng cụ đã được tắt và rút phích cắm trước khi điều chỉnh hoặc kiểm tra chức năng trên dụng cụ.

### Điều chỉnh độ sâu của rãnh

- **Hình1:** 1. Kim chỉ 2. Cờ chặn 3. Vít điều chỉnh  
4. Đinh cao su

6 độ sâu rãnh có thể được cài đặt sẵn theo kích thước của khuôn vò mỏng cần sử dụng. Tham khảo bảng dưới đây về sự tương ứng giữa kích thước được đánh dấu trên cờ chặn và kích thước khuôn vò mỏng. Có thể thực hiện tinh chỉnh cho độ sâu rãnh bằng cách xoay vít điều chỉnh sau khi nói lỏng đai ốc lục giác. Điều này có thể trở nên cần thiết sau khi lưỡi đã được mài sắc lại một vài lần.

Kích thước trên cờ chặn	0	10	20	S	D	MAX
Kích thước khuôn vò mỏng	0	10	20	—	—	—
Độ sâu của rãnh	8 mm	10 mm	12,3mm	13 mm	14,7mm	20 mm*

\* Với đinh cao su đã được loại bỏ.

## Thanh dẫn góc

Có thể di chuyển chiều cao thanh dẫn góc lên và xuống để điều chỉnh vị trí của lưỡi liên quan đến đỉnh phôi gia công.

- **Hình2:** 1. Cản khóa 2. Thanh dẫn góc 3. Núm 4. Thang đo 5. Kim chỉ 6. Vặn chặt 7. Nơi lỏng

Để điều chỉnh chiều cao thanh dẫn góc, nói lỏng cản khóa xuống và xoay núm cho đến khi kim chỉ chỉ đến vạch chia độ mong muốn được đánh dấu trên thanh dẫn góc.

- **Hình3:** 1. Núm 2. Xuống 3. Lên 4. Trung tâm của độ dày lưỡi

Sau đó vặn chặt cản khóa lên để cố định thanh dẫn góc. Thang đo trên thanh dẫn góc cho biết khoảng cách từ đỉnh phôi gia công đến trung tâm của độ dày lưỡi. Thanh dẫn góc có thể tháo rời khỏi tấm chắn theo nhu cầu công việc của bạn. Để tháo thanh dẫn góc, nói lỏng cản khóa và vặn núm theo chiều kim đồng hồ cho đến khi thanh dẫn đi ra khỏi đầu trên của tấm chắn.

## Tám chắn

### LƯU Ý:

- Tháo thanh dẫn góc theo nhu cầu công việc của bạn khi sử dụng dụng cụ với góc của tám chắn được điều chỉnh khác 0°. Khi bạn cần sử dụng thanh dẫn góc trong điều kiện trên, hãy đảm bảo điều chỉnh độ sâu của rãnh để có độ sâu phù hợp.

- **Hình4:** 1. Tám chắn 2. Cản khóa 3. Thang đo góc 4. Vặn chặt 5. Nơi lỏng

- **Hình5:** 1. Cản khóa 2. Kim chỉ 3. Thang đo góc 4. Trung tâm của độ dày lưỡi 5. Nắp đậy lưỡi

Góc của tám chắn có thể được điều chỉnh giữa 0° và 90° (dùng chiều thuận ở 0°, 45° và 90°). Để điều chỉnh góc, nói lỏng cản khóa và nghiêng tám chắn cho đến khi kim chỉ chỉ đến vạch chia độ mong muốn trên thang đo góc. Sau đó vặn chặt cản khóa để cố định tám chắn. Khi tám chắn được đặt ở 90°, cả khoảng cách từ trung tâm của độ dày lưỡi đến đáy của nắp đậy lưỡi đều là 10 mm.

## Tám gài

- **Hình6:** 1. Cản khóa 2. Kim chỉ 3. Thang đo góc 4. Tám gài 5. Độ dày của tám gài 6. Trung tâm của độ dày lưỡi 7. Nắp đậy lưỡi

- **Hình7:** 1. Tám gài

Sử dụng tám gài như thể hiện trong hình khi cắt khe trong phôi gia công mỏng.

## Hoạt động công tắc

► **Hình8:** 1. Công tắc trượt

### ⚠ THẬN TRỌNG:

- Trước khi cắm điện vào dụng cụ, luôn kiểm tra xem công tắc trượt có hoạt động bình thường và trả về vị trí "TẮT" khi nhấn phần sau của công tắc trượt hay không.
- Công tắc có thể khóa ở vị trí "BẬT" để người vận hành dễ dàng thuận tiện trong quá trình sử dụng kéo dài. Cần hết sức cẩn trọng khi khóa dụng cụ ở vị trí "BẬT" và phải luôn giữ chặt dụng cụ.

Để khởi động dụng cụ, trượt công tắc trượt về vị trí "I (BẬT)". Để vận hành liên tục, nhấn phần trước của công tắc trượt để khóa lại.

Để dừng dụng cụ, nhấn phần sau của công tắc trượt, sau đó trượt về vị trí "O (TẮT)".

## LẮP RÁP

### ⚠ THẬN TRỌNG:

- Luôn đảm bảo rằng dụng cụ đã được tắt và rút phích cắm trước khi thực hiện bất kỳ công việc nào trên dụng cụ.

## Tháo hoặc lắp lưỡi

► **Hình9:** 1. Đai ốc khóa 2. Lưỡi máy ghép mộng cầm tay hoạt động bằng động cơ điện 3. Vành trong 4. Ốc siết 5. Nắp đậy lưỡi 6. Nới lỏng 7. Vận chặt 8. Khóa trục

### ⚠ THẬN TRỌNG:

- Khi lắp lưỡi máy ghép mộng cầm tay hoạt động bằng động cơ điện, gắn vành trong với mặt bên được đánh dấu "22" hướng về phía bạn.

Để tháo lưỡi, nới lỏng vít kẹp và mở nắp đậy lưỡi. Đẩy khóa trục và nới lỏng đai ốc khóa bằng cách sử dụng cờ lê đai ốc khóa. Để lắp lưỡi, đầu tiên gắn vành trong. Sau đó gắn lưỡi và đai ốc khóa. Vận chặt đai ốc khóa bằng cách sử dụng cờ lê đai ốc khóa. Đóng nắp đậy lưỡi và vận chặt vít kẹp để cố định nắp đậy lưỡi.

### ⚠ THẬN TRỌNG:

- Chỉ sử dụng cờ lê đai ốc khóa của Makita đi kèm để tháo hoặc lắp lưỡi.
- Luôn kiểm tra độ sâu của rãnh sau khi thay lưỡi. Điều chỉnh lại nếu cần thiết.

## Túi chứa bụi

► **Hình10:** 1. Túi chứa bụi 2. Bộ phận kẹp 3. Vòi xả bụi

Để gắn túi chứa bụi, hãy lắp khít túi vào vòi xả bụi. Nếu túi chứa bụi trở thành vật gây cản trở công việc của bạn, hãy xoay vòi xả bụi để thay đổi vị trí túi chứa bụi.

Khi túi chứa bụi đã đầy khoảng một nửa, hãy tắt và rút phích cắm của dụng cụ. Tháo túi chứa bụi ra khỏi dụng cụ và kéo bộ phận kẹp của túi ra ngoài. Để túi chứa bụi bằng cách đập nhẹ túi để loại bỏ bụi càng nhiều càng tốt.

### LƯU Ý:

- Nếu bạn kết nối máy hút bụi Makita vào máy ghép mộng cầm tay hoạt động bằng động cơ điện của bạn thì có thể thực hiện các thao tác vệ sinh hiệu quả hơn và sạch hơn.

## VẬN HÀNH

## Cách tạo ra khớp nối

### ⚠ CẢNH BÁO:

- Luôn kẹp phôi gia công vào bàn gia công trước mỗi lần vận hành.

► **Hình11**

► **Hình12**

## Khớp nối góc (Hình A)

► **Hình13**

► **Hình14**

► **Hình15**

## Khớp nối chữ T (Hình B)

► **Hình16**

► **Hình17**

► **Hình18**

## Khớp nối mộng vuông góc (Hình C)

► **Hình19**

► **Hình20**

## Khớp nối khung (Hình D)

► **Hình21**

► **Hình22**

## Khớp nối cạnh với cạnh (Hình E)

► **Hình23**

► **Hình24**

Để tạo ra khớp nối, hãy tiến hành như sau:

1. Lắp hai phôi gia công lại với nhau vì chúng sẽ xuất hiện ở vị trí khớp nối đã hoàn thiện.
2. Đánh dấu trung tâm của các rãnh khuôn vỏ mỏng dự định trên phôi gia công bằng bút chì.

### LƯU Ý:

- Trung tâm của rãnh nên cách ít nhất 50 mm từ mép ngoài của phôi gia công.
- Cho phép 100 mm - 150 mm giữa các rãnh trong nhiều ứng dụng khuôn vỏ mỏng.



3. **Chỉ dành cho Khớp nối góc và Khớp nối chữ T**  
Kẹp phôi gia công thẳng đứng vào bàn gia công.
- Chỉ dành cho Khớp nối mộng vuông góc**  
Kẹp một phôi gia công vào bàn gia công với mép mộng vuông góc hướng lên trên.
- Chỉ dành cho Khớp nối khung và Khớp nối cạnh với cạnh**  
Kẹp một phôi gia công vào bàn gia công.
4. Cài đặt độ sâu của rãnh theo kích thước của khuôn vò mộng cần sử dụng. Tham khảo bảng trong phần “Điều chỉnh độ sâu của rãnh”.
5. Điều chỉnh chiều cao thanh dẫn góc sao cho lưỡi nằm ở trung tâm độ dày tấm ván.
6. Căn chỉnh đầu trung tâm trên để với đường bút chỉ trên phôi gia công.
7. Bật dụng cụ và nhẹ nhàng đẩy nó về phía trước để mở rộng lưỡi vào phôi gia công.
8. Nhẹ nhàng trả dụng cụ về vị trí ban đầu sau khi với điều chỉnh chạm đến cỡ chặn.
9. **Chỉ dành cho Khớp nối góc và Khớp nối chữ T**  
Kẹp phôi gia công nằm ngang vào bàn gia công.
- Chỉ dành cho Khớp nối mộng vuông góc**  
Kẹp phôi gia công khác vào bàn gia công với mép mộng vuông góc hướng lên trên.
- Chỉ dành cho Khớp nối khung và Khớp nối cạnh với cạnh**  
Kẹp phôi gia công khác vào bàn gia công.
10. **Chỉ dành cho Khớp nối góc**  
Đặt dụng cụ lên phôi gia công sao cho lưỡi hướng xuống.
- Chỉ dành cho Khớp nối chữ T**  
Tháo thanh dẫn góc ra khỏi dụng cụ. Đặt dụng cụ lên phôi gia công sao cho lưỡi hướng xuống.
11. Lặp lại các bước 6 - 8 để tạo rãnh trên phôi nằm ngang hoặc phôi gia công khác.

Nếu bạn không cần phải đặt trung tâm lưỡi theo độ dày tấm ván, hãy tiến hành như sau:

**Chỉ dành cho Khớp nối góc, Khớp nối mộng vuông góc, Khớp nối khung và Khớp nối cạnh với cạnh**

- Tháo thanh dẫn góc ra khỏi dụng cụ. Đặt tấm chắn ở 90° cho Khớp nối góc, Khớp nối khung và Khớp nối cạnh với cạnh hoặc 45° cho Khớp nối mộng vuông góc.
- Thực hiện theo các bước 1 - 11 ngoại trừ bước 5 và 10 được mô tả bên trên.

**Chỉ dành cho Khớp nối chữ T**

- Lắp hai phôi gia công lại với nhau vì chúng sẽ xuất hiện ở vị trí khớp nối đã hoàn thiện.
- Đặt phôi gia công thẳng đứng trên một phôi gia công nằm ngang. Kẹp cả hai phôi gia công vào bàn gia công.
- Tháo thanh dẫn góc ra khỏi dụng cụ.
- Thực hiện theo các bước 2, 4, 6, 7, 8 và 11 được mô tả bên trên.

## BẢO DƯỠNG

### ⚠ THẬN TRỌNG:

- Luôn đảm bảo rằng dụng cụ đã được tắt và rút phích cắm trước khi thử thực hiện việc kiểm tra hoặc bảo dưỡng.
- Không bao giờ dùng xăng, ét xăng, dung môi, cồn hoặc hóa chất tương tự. Có thể xảy ra hiện tượng mất màu, biến dạng hoặc nứt vỡ.

► **Hình25:** 1. Lỗ thông khí thải 2. Lỗ hút khí

Dụng cụ và các khe thông khí của nó cần phải được giữ sạch sẽ. Thường xuyên vệ sinh các khe thông khí của dụng cụ hoặc bất cứ khi nào các khe này bắt đầu bị kẹt vướng.

Để duy trì sự AN TOÀN và TIN CẬY của sản phẩm, việc sửa chữa, kiểm tra và thay thế chổi các-bon, bất kỳ thao tác bảo dưỡng hoặc điều chỉnh nào đều phải được thực hiện bởi các Trung tâm Dịch vụ Được Ủy quyền của Makita, luôn sử dụng các phụ tùng thay thế của Makita.

## PHỤ KIỆN TỰY CHỌN

### ⚠ THẬN TRỌNG:

- Các phụ kiện hoặc phụ tùng này được khuyến cáo sử dụng với dụng cụ Makita của bạn theo như quy định trong hướng dẫn này. Việc sử dụng bất kỳ phụ kiện hoặc phụ tùng nào khác đều có thể gây ra rủi ro thương tích cho người. Chỉ sử dụng phụ kiện hoặc phụ tùng cho mục đích đã quy định sẵn của chúng.

Nếu bạn cần bất kỳ sự hỗ trợ nào để biết thêm chi tiết về các phụ kiện này, hãy hỏi Trung tâm Dịch vụ Makita tại địa phương của bạn.

- Thanh dẫn góc
- Tủ chứa bụi
- Tấm gai 4
- Cờ lê đai ốc khóa 20
- Lưỡi máy ghép mộng cầm tay hoạt động bằng động cơ điện

### LƯU Ý:

- Một số mục trong danh sách có thể được bao gồm trong gói dụng cụ làm phụ kiện tiêu chuẩn. Các mục này ở mỗi quốc gia có thể khác nhau.

## ข้อมูลจำเพาะ

รุ่น		PJ7000
ประเภทของใบเลื่อย		เครื่องเซาะร่อง
ความลึกในการเซาะร่องสูงสุด	ใบเลื่อยเครื่องเซาะร่อง	20 mm
ความเร็วหมุนเปล่า (min <sup>-1</sup> )		11,000
ความยาวโดยรวม		302 mm
น้ำหนักสุทธิ		2.5 kg
มาตรฐานความปลอดภัย		□/II

- เนื่องจากการค้นคว้าวิจัยและพัฒนาอย่างต่อเนื่อง ข้อมูลจำเพาะในเอกสารฉบับนี้อาจเปลี่ยนแปลงได้โดยไม่ต้องแจ้งให้ทราบล่วงหน้า
- ข้อมูลจำเพาะอาจแตกต่างกันไปในแต่ละประเทศ
- น้ำหนักตามข้อบังคับของ EPTA 01/2003

### สัญลักษณ์

สัญลักษณ์ที่ใช้สำหรับอุปกรณ์มีดังต่อไปนี้ โปรดศึกษาความหมายของสัญลักษณ์ให้เข้าใจก่อนการใช้งาน



อ่านคู่มือการใช้งาน



ฉนวนสองชั้น



สำหรับประเทศในสหภาพยุโรปเท่านั้น ห้ามทิ้งอุปกรณ์ไฟฟ้ารวมกับขยะครัวเรือนทั่วไป เพื่อให้เป็นไปตามกฎระเบียบของยุโรปเกี่ยวกับขยะจำพวกอุปกรณ์ไฟฟ้าและอิเล็กทรอนิกส์ และการปฏิบัติตามกฎหมายในประเทศ ต้องเก็บอุปกรณ์ไฟฟ้าทั้งหมดอายุการใช้งานแล้วแยกต่างหาก และส่งกลับไปยังศูนย์รีไซเคิลที่เป็นมิตรต่อสิ่งแวดล้อม

### จุดประสงค์การใช้งาน

เครื่องมือนี้ใช้สำหรับการตัดร่องรูปพระจันทร์เสี้ยวสำหรับใส่เดือยไม้แบนหรือแผ่นนิสกับด้วยการจิ้งจัด

### แหล่งจ่ายไฟ

ควรเชื่อมต่อเครื่องมือกับแหล่งจ่ายไฟที่มีแรงดันไฟฟ้าตามที่ระบุไว้ในป้ายข้อมูลของเครื่องมือ และต้องใช้ไฟฟ้ากระแสสลับแบบเฟสเดียวเท่านั้น อุปกรณ์นี้ได้รับการหุ้มฉนวนสองชั้นและสามารถช้กับปลั๊กไฟที่ไม่มีสายดินได้

## คำเตือนด้านความปลอดภัยของเครื่องมือไฟฟ้าทั่วไป

⚠ คำเตือน อ่านคำเตือนด้านความปลอดภัยและคำแนะนำทั้งหมดก่อนใช้งาน การไม่ปฏิบัติตามคำเตือนและคำแนะนำดังกล่าวอาจส่งผลให้ไฟฟ้าช็อต ไฟไหม้ และ/หรือได้รับบาดเจ็บร้ายแรง

## เก็บรักษาคำเตือนและคำแนะนำทั้งหมดไว้เป็นข้อมูลอ้างอิงในอนาคต

คำว่า “เครื่องมือไฟฟ้า” ในคำเตือนนี้หมายถึงเครื่องมือไฟฟ้า (มีสาย) ที่ทำงานโดยใช้กระแสไฟฟ้า หรือเครื่องมือไฟฟ้า (ไร้สาย) ที่ทำงานโดยใช้แบตเตอรี่

### ความปลอดภัยของพื้นที่ทำงาน

1. ดูแลพื้นที่ทำงานให้มีความสะอาดและมีแสงไฟสว่าง พื้นที่ที่ระเกะระกะหรือมีดีที่บอบอาจนำไปสู่การเกิดอุบัติเหตุได้
2. อย่าใช้งานเครื่องมือไฟฟ้าในสภาพที่อาจเกิดการระเบิด เช่น ในสถานที่ที่มีของเหลว ก๊าซ หรือฝุ่นผงที่มีคุณสมบัติไวไฟ เครื่องมือไฟฟ้าอาจสร้างประกายไฟและจุดชนวนฝุ่นผงหรือก๊าซดังกล่าว
3. ดูแลไม่ให้มีเด็ก ๆ หรือบุคคลอื่นอยู่ในบริเวณที่กำลังใช้เครื่องมือไฟฟ้า การมีสิ่งรบกวนสมาธิอาจทำให้คุณสูญเสียการควบคุม

## ความปลอดภัยด้านไฟฟ้า

4. ปลั๊กของเครื่องมือไฟฟ้าต้องพอดีกับเต้ารับ อย่าตัดแปลงปลั๊กไม่ว่ากรณีใดๆ อย่าใช้ปลั๊กอะแดปเตอร์กับเครื่องมือไฟฟ้าที่ต่อสายดิน ปลั๊กที่ไม่ถูกตัดแปลงและเต้ารับที่เข้ากันพอดีจะช่วยลดความเสี่ยงของการเกิดไฟฟ้าช็อต
5. ระวังอย่าให้ร่างกายสัมผัสกับพื้นผิวที่ต่อสายดิน เช่น ท่อ เครื่องนำความร้อน เตาหุงต้ม และตู้เย็น มีความเสี่ยงที่จะเกิดไฟฟ้าช็อตตุงขึ้น หากร่างกายของคุณสัมผัสกับพื้น
6. อย่าให้เครื่องมือไฟฟ้าถูกน้ำหรืออยู่ในสภาพเปียกชื้น น้ำที่ไหลเข้าไปในเครื่องมือไฟฟ้าจะเพิ่มความเสี่ยงของการเกิดไฟฟ้าช็อต
7. อย่าใช้สายไฟอย่างไม่เหมาะสม อย่าใช้สายไฟเพื่อยก ดึง หรือถอดปลั๊กเครื่องมือไฟฟ้า เก็บสายไฟให้ห่างจากความร้อน น้ำมัน ของมีคม หรือชิ้นส่วนที่เคลื่อนที่ สายที่ชำรุดหรือพันกันจะเพิ่มความเสี่ยงของการเกิดไฟฟ้าช็อต
8. ขณะที่ใช้งานเครื่องมือไฟฟ้านอกอาคาร ควรใช้สายต่อพ่วงที่เหมาะสมกับงานภายนอกอาคาร การใช้สายที่เหมาะสมกับงานภายนอกอาคารจะลดความเสี่ยงของการเกิดไฟฟ้าช็อต
9. หากต้องใช้งานเครื่องมือไฟฟ้าในสถานที่เปียกชื้น ให้ใช้อุปกรณ์ป้องกันกระแสไฟรั่ว (RCD) การใช้ RCD จะลดความเสี่ยงของการเกิดไฟฟ้าช็อต
10. แนะนำให้ใช้แหล่งจ่ายไฟผ่าน RCD ที่มีกระแสไฟรั่วในอัตราไม่เกิน 30mA เสมอ

## ความปลอดภัยส่วนบุคคล

11. ให้ระมัดระวังและมีสติอยู่เสมอขณะใช้งานเครื่องมือไฟฟ้า อย่าใช้งานเครื่องมือไฟฟ้าในขณะที่คุณกำลังเหนื่อย หรือในสภาพที่มึนเมาจากยาเสพติด เครื่องดื่ม แอลกอฮอล์ หรือการเข้ายา ช่วงเวลาที่ขาดความระมัดระวังเมื่อกำลังใช้งานเครื่องมือไฟฟ้าอาจทำให้ได้รับบาดเจ็บร้ายแรง
12. ใช้อุปกรณ์ป้องกันส่วนบุคคล สวมแว่นตาป้องกันเสมอ อุปกรณ์ป้องกัน เช่น หน้ากากกันฝุ่น รองเท้ากันภัย กันลื่น หมวกกันน็อก หรืออุปกรณ์ป้องกันเสียงที่ใช้ในสภาพที่เหมาะสมจะช่วยลดการบาดเจ็บ
13. ป้องกันไม่ให้เกิดการเปิดใช้งานโดยไม่ตั้งใจ ตรวจสอบให้แน่ใจว่าสวิตช์ปิดอยู่ก่อนที่จะเชื่อมต่อกับแหล่งจ่ายไฟ และ/หรือชุดแบตเตอรี่ รวมทั้งตรวจสอบก่อนการยกหรือเคลื่อนย้ายเครื่องมือ การสอดนิ้วมือบริเวณสวิตช์เพื่อถือเครื่องมือไฟฟ้า หรือการชาร์จไฟเครื่องมือไฟฟ้าในขณะที่เปิดสวิตช์อยู่อาจนำไปสู่การเกิดอุบัติเหตุ

14. นำกฎแฉปรับตั้งหรือประแจออกก่อนที่จะเปิดเครื่องมือไฟฟ้า ประแจหรือกฎแฉที่เสียบค้างอยู่ในชิ้นส่วนที่หมุนไต่ของเครื่องมือไฟฟ้าอาจทำให้ได้รับบาดเจ็บ
15. อย่าทำงานในระยะที่สุดเอื้อม จัดท่ากรีนและการทรงตัวให้เหมาะสมตลอดเวลา เพราะจะทำให้ควบคุมเครื่องมือไฟฟ้าได้ดีขึ้นในสถานการณ์ที่ไม่คาดคิด
16. แต่งกายให้เหมาะสม อย่าสวมเครื่องแต่งกายที่หลวมเกินไป หรือสวมเครื่องประดับ ดูแลไม่ให้เส้นผม เสื้อผ้า และถุงมืออยู่ใกล้ชิ้นส่วนที่เคลื่อนที่ เสื้อผ้า รุ่มร่าม เครื่องประดับ หรือผมที่มีความยาวอาจเข้าไปติดในชิ้นส่วนที่เคลื่อนที่
17. หากมีการจัดอุปกรณ์สำหรับดูดและจัดเก็บฝุ่นไว้ในสถานที่ ให้ตรวจสอบว่าได้เชื่อมต่อและใช้งานอุปกรณ์นั้นอย่างเหมาะสม การใช้เครื่องดูดและจัดเก็บฝุ่นจะช่วยลดอันตรายที่เกิดจากฝุ่นผงได้

## การใช้และดูแลเครื่องมือไฟฟ้า

18. อย่าฝืนใช้เครื่องมือไฟฟ้า ใช้เครื่องมือไฟฟ้าที่เหมาะสมกับการใช้งานของคุณ เครื่องมือไฟฟ้าที่เหมาะสมจะทำให้ได้งานที่มีประสิทธิภาพและปลอดภัยกว่าตามขีดความสามารถของเครื่องที่ได้รับการออกแบบมา
19. อย่าใช้เครื่องมือไฟฟ้า หากสวิตช์ไม่สามารถเปิดปิดได้ เครื่องมือไฟฟ้าที่ควบคุมด้วยสวิตช์ไม่ได้เป็นสิ่งอันตรายและต้องได้รับการซ่อมแซม
20. ถอดปลั๊กจากแหล่งจ่ายไฟ และ/หรือชุดแบตเตอรี่ออกจากเครื่องมือไฟฟ้าก่อนทำการปรับตั้ง เปลี่ยนอุปกรณ์เสริม หรือจัดเก็บเครื่องมือไฟฟ้า วิธีการป้องกันด้านความปลอดภัยดังกล่าวจะช่วยลดความเสี่ยงของการเปิดใช้งานเครื่องมือไฟฟ้าอย่างไม่ตั้งใจ
21. จัดเก็บเครื่องมือไฟฟ้าที่ไม่ได้ใช้งานให้ห่างจากมือเด็ก และอย่าอนุญาตให้บุคคลที่ไม่คุ้นเคยกับเครื่องมือไฟฟ้าหรือคำแนะนำเหล่านี้ใช้งานเครื่องมือไฟฟ้า เครื่องมือไฟฟ้าจะเป็นอันตรายเมื่ออยู่ในมือของผู้ที่ไม่ได้รับการฝึกอบรม
22. การดูแลรักษาเครื่องมือไฟฟ้า ตรวจสอบการประกอบที่ไม่ถูกต้องหรือการเชื่อมต่อของชิ้นส่วนที่เคลื่อนที่ การแตกหักของชิ้นส่วน หรือสภาพอื่น ๆ ที่อาจส่งผลกระทบต่อการทำงานของเครื่องมือไฟฟ้า หากมีความเสียหาย ให้นำเครื่องมือไฟฟ้าไปซ่อมแซมก่อนการใช้งาน อุบัติเหตุจำนวนมากเกิดจากการดูแลรักษาเครื่องมือไฟฟ้าอย่างไม่ถูกต้อง
23. ทำความสะอาดเครื่องมือตัดและลับให้คมอยู่เสมอ เครื่องมือตัดที่มีกราดูแลรักษาอย่างถูกต้องและมีขอบตัดคมมักจะมีปัญหาตัดชิ้นน้อยและควบคุมได้ง่ายกว่า

- ใช้เครื่องมือไฟฟ้า อุปกรณ์เสริม และวัสดุสิ้นเปลือง ฯลฯ ตามคำแนะนำดังกล่าว พิจารณาสภาพการทำงานและงานที่จะลงมือทำ การใช้เครื่องมือไฟฟ้าเพื่อทำงานอื่นนอกเหนือจากที่กำหนดไว้อาจทำให้เกิดอันตราย

#### การซ่อมบำรุง

- นำเครื่องมือไฟฟ้าเข้ารับบริการจากช่างซ่อมที่ผ่านการรับรองโดยช่างผู้เชี่ยวชาญเท่านั้น เพราะจะทำให้การใช้เครื่องมือไฟฟ้ามีความปลอดภัย
- ปฏิบัติตามคำแนะนำในการหล่อลื่นและการเปลี่ยนอุปกรณ์เสริม
- ดูแลมือจับให้แห้ง สะอาด และไม่มันมันและจะปรับเปลี่ยน

#### คำเตือนด้านความปลอดภัยของเครื่องเซาะร่อง

- ใบเลื่อยต้องสามารถใช้งานได้ด้วยอัตราความเร็วอย่างน้อยเท่ากับที่ระบุไว้บนเครื่องมือ ใบเลื่อยที่หมุนเกินความเร็วที่กำหนดอาจจะกระเด็นออกมาและเป็นสาเหตุของการบาดเจ็บได้
- ใช้ที่ป้องกันทุกครั้ง ที่ป้องกันช่วยป้องกันผู้ปฏิบัติงานจากเศษใบเลื่อยที่แตกหักและการสัมผัสกับใบเลื่อยโดยไม่ได้ตั้งใจ
- จับเครื่องมือไฟฟ้าที่พื้นผิวมือจับหุ้มฉนวน เนื่องจากใบเลื่อยอาจสัมผัสกับสายไฟของเครื่องมือเอง การตัดสายไฟที่ "มีกระแสไฟไหลผ่าน" อาจทำให้ส่วนที่เป็นโลหะของเครื่องมือไฟฟ้าที่ไม่มีฉนวนหุ้ม "มีกระแสไฟไหลผ่าน" และทำให้ผู้ปฏิบัติงานถูกไฟฟ้าช็อตได้
- ใช้แต่ใบเลื่อยสำหรับเครื่องมือนี้เท่านั้น
- ห้ามใช้งานเครื่องมือขณะที่ใบเลื่อยล้อยู่ในตำแหน่งที่เปิดล็อกหรือไม่ได้ยึดฝาครอบใบเลื่อยไว้กับที่อย่างเหมาะสม
- ตรวจสอบให้แน่ใจว่าใบเลื่อยเลื่อนได้อย่างราบรื่นก่อนการใช้งาน
- ตรวจสอบใบเลื่อยอย่างละเอียดว่ามีรอยร้าวหรือความเสียหายหรือไม่ก่อนการใช้งาน เปลี่ยนใบมีดที่ร้าวหรือเสียหายทันที
- ตรวจสอบให้แน่ใจว่าแกนเสียบเข้าไปในรูใบเลื่อยพอดีขณะติดตั้งใบเลื่อย
- ตรวจสอบและถอนตะปูและสิ่งแปลกปลอมอื่น ๆ ออกจากชิ้นงานก่อนการทำงาน
- วางชิ้นงานไว้บนโต๊ะทำงานที่มั่นคงเสมอ
- ยึดชิ้นงานไว้อย่างแน่นหนาด้วยปากกาจับหรือตัวหนีบ
- อย่าสวมถุงมือในระหว่างการทำงาน

- จับเครื่องมือให้แน่นด้วยมือทั้งสองข้าง
- อย่านำมือและร่างกายเข้าไปใกล้บริเวณที่เซาะร่อง
- เปิดใช้งานเครื่องมือทั้งไว้สักรูโดยหันใบเลื่อยไปทางที่ไม่มีใครอยู่ ดูการสั่นสะเทือนหรือการโคลนแคลนที่อาจแสดงถึงการใส่และความสมดุลของใบเลื่อยที่ไม่ดีพอ
- ห้ามเอื้อมมือไปได้ชิ้นงานขณะที่ใบเลื่อยกำลังหมุนอยู่
- อย่าปล่อยให้เครื่องมือทำงานโดยไม่มีผู้ดูแล
- ตรวจสอบให้แน่ใจว่าได้ปิดสวิทช์เครื่องมือและถอดปลั๊กออกก่อนทำการปรับหรือเปลี่ยนใบเลื่อย
- วัสดุบางอย่างอาจมีสารเคมีที่เป็นพิษ ระวังอย่าสูดดมฝุ่นหรือสัมผัสกับผิวหนัง ปฏิบัติตามข้อมูลด้านความปลอดภัยของผู้ผลิตวัสดุ
- อย่าใช้ใบเลื่อยที่ทื่อหรือเสียหาย
- อย่าใช้เครื่องมือกับที่ป้องกันที่เสียหาย

#### ปฏิบัติตามคำแนะนำเหล่านี้

**คำเตือน:** อย่าให้ความไม่ระมัดระวังหรือความคุ้นเคยกับผลิตภัณฑ์ (จากการใช้งานซ้ำหลายครั้ง) อยู่นเหนือการปฏิบัติตามกฎเกณฑ์ด้านความปลอดภัยในการใช้งานผลิตภัณฑ์อย่างเคร่งครัด การใช้งานอย่างไม่เหมาะสมหรือการไม่ปฏิบัติตามกฎเกณฑ์ด้านความปลอดภัยในคู่มือการใช้งานนี้อาจทำให้ได้รับบาดเจ็บร้ายแรง

#### คำอธิบายการทำงาน

- ข้อควรระวัง:**
- ตรวจสอบให้แน่ใจเสมอว่าปิดสวิทช์เครื่องมือและถอดปลั๊กแล้วก่อนทำการปรับหรือตรวจสอบฟังก์ชันบนเครื่องมือ

#### การปรับความลึกในการเซาะร่อง

- **หมายเลข 1:** 1. ลูกศร 2. สติอปเปอร์ 3. สกรูปรับ 4. เดือยยาง
- ความลึกในการเซาะร่องสามารถตั้งค่าล่วงหน้าได้ถึง 6 ระดับตามขนาดแผ่นบิสกิตที่จะใช้
- โปรดดูตารางความสัมพันธ์ระหว่างขนาดที่ระบุไว้บนสติอปเปอร์และขนาดแผ่นบิสกิตด้านล่างนี้ การปรับความลึกในการเซาะร่องอย่างละเอียดสามารถทำได้โดยการหมุนสกรูปรับหลังจากคลายน็อตทกเหลี่ยมแล้ว ขั้นตอนนี้อาจจำเป็นหลังจากที่ได้ลับใบเลื่อยแล้วหลายครั้ง

ขนาดบน สตอปเปอร์	0	10	20	S	D	MAX
ขนาดแผ่น บิสกิต	0	10	20	—	—	—
ความลึกใน การเจาะร่อง	8 mm	10 mm	12.3mm	13 mm	14.7mm	20 mm*

\* เมื่อถอดเดือยของออก

## ตัวนำมุม

ความสูงของตัวนำมุมสามารถเลื่อนขึ้นลงเพื่อปรับตำแหน่งของใบเลื่อยให้สัมพันธ์กับส่วนบนสุดของชิ้นงานได้

- **หมายเลข 2:** 1. ก้านล็อก 2. ตัวนำมุม 3. ปุ่มหมุน 4. สเกล 5. ลูกศร 6. ชันแน่น 7. คลาย

วิธีปรับความสูงของตัวนำมุม ให้คลายก้านล็อกและหมุนปุ่มหมุนจนกว่าลูกศรจะชี้ไปที่สเกลบอกตำแหน่งที่ต้องการบนตัวนำมุม

- **หมายเลข 3:** 1. ปุ่มหมุน 2. ลง 3. ขึ้น 4. จุดกึ่งกลางของความหนาใบเลื่อย

จากนั้นขันน๊อตเพื่อยึดตัวนำมุม

สเกลบนตัวนำมุมจะระบุระยะห่างจากส่วนบนสุดของชิ้นงานจนถึงจุดกึ่งกลางของความหนาใบเลื่อย

ตัวนำมุมสามารถถอดออกจากฉากได้ ขึ้นอยู่กับความจำเป็นในการใช้งาน วิธีถอดตัวนำมุม ให้คลายก้านล็อกและหมุนปุ่มหมุนตามเข็มนาฬิกาจนกว่าจะหลุดออกจากปลายด้านบนของฉาก

## ฉาก

### หมายเหตุ:

- ถอดตัวนำมุมออกตามความจำเป็นในการใช้งานเมื่อใช้เครื่องมือที่ปรับค่าองศาของฉากไว้ด้วยค่าอื่นที่ไม่ใช่ 0° เมื่อคุณจำเป็นต้องใช้ตัวนำมุมในสภาวะข้างต้น ตรวจสอบให้แน่ใจว่าได้ปรับความลึกของร่องแล้วเพื่อให้ได้ความลึกที่เหมาะสม

- **หมายเลข 4:** 1. ฉาก 2. ก้านล็อก 3. สเกลมุม 4. ชันแน่น 5. คลาย

- **หมายเลข 5:** 1. ก้านล็อก 2. ลูกศร 3. สเกลมุม 4. จุดกึ่งกลางของความหนาใบเลื่อย 5. ฝาครอบใบเลื่อย

มุมของฉากสามารถปรับได้ตั้งแต่ 0° ถึง 90° (หยุดตามตำแหน่งที่ 0°, 45° และ 90°) วิธีปรับมุม ให้คลายก้านล็อกและเอียงฉากจนกว่าลูกศรจะชี้ไปที่ตำแหน่งที่ต้องการบนสเกลมุม จากนั้นขันก้านล็อกเพื่อยึดฉาก

เมื่อฉากถูกตั้งค่าไว้ที่ 90° ระยะห่างจากทั้งจุดกึ่งกลางของความหนาใบเลื่อยถึงฉากและระยะห่างจากจุดกึ่งกลางของความหนาใบเลื่อยถึงด้านล่างสุดของฝาครอบใบเลื่อยจะเท่ากับ 10 mm

## แผ่นตั้ง

- **หมายเลข 6:** 1. ก้านล็อก 2. ลูกศร 3. สเกลมุม 4. แผ่นตั้ง 5. ความหนาของแผ่นตั้ง 6. จุดกึ่งกลางของความหนาใบเลื่อย 7. ฝาครอบใบเลื่อย

- **หมายเลข 7:** 1. แผ่นตั้ง

ใช้แผ่นตั้งตามที่แสดงในภาพขณะตัดช่องในชิ้นงานที่บาง

## การทำงานของสวิตช์

- **หมายเลข 8:** 1. สวิตช์เลื่อน

### ⚠️ ข้อควรระวัง:

- ก่อนเสียบปลั๊กเครื่องมือ ให้ตรวจสอบเสมอว่าสวิตช์เลื่อนสั่งงานสามารถทำงานได้อย่างถูกต้อง และกลับไปยังตำแหน่ง "ปิด" เมื่อกดด้านหลังของสวิตช์เลื่อน
- สามารถล็อกสวิตช์ไว้ที่ตำแหน่ง "เปิด" ได้เพื่อให้ผู้ใช้สะดวกในการใช้งานต่อเนื่องเป็นเวลานาน ใช้ความระมัดระวังเมื่อล็อกเครื่องมือในตำแหน่ง "เปิด" และจับเครื่องมือให้แน่น

เปิดใช้เครื่องมือโดยเลื่อนสวิตช์เลื่อนไปที่ตำแหน่ง "I (เปิด)" ถ้าต้องการใช้งานอย่างต่อเนื่อง กดด้านหน้าของก้านสวิตช์เลื่อนเพื่อล็อก

ถ้าต้องการหยุดใช้งานเครื่องมือ กดด้านหลังของก้านสวิตช์เลื่อน แล้วเลื่อนไปที่ตำแหน่ง "O (ปิด)"

## การประกอบ

### ⚠️ ข้อควรระวัง:

- ตรวจสอบให้แน่ใจเสมอว่าปิดสวิตช์เครื่องมือและถอดปลั๊กออกแล้วก่อนดำเนินการใดๆ กับเครื่องมือ

## การถอดหรือการติดตั้งใบเลื่อย

- **หมายเลข 9:** 1. น็อตล็อก 2. ใบเลื่อยเครื่องเจาะร่อง 3. แกนตัวโน 4. สกรูยึด 5. ฝาครอบใบเลื่อย 6. คลาย 7. ชันแน่น 8. ล็อคก้าน

### ⚠️ ข้อควรระวัง:

- ขณะติดตั้งใบเลื่อยเครื่องเจาะร่อง ให้ยึดแกนตัวโนไว้โดยหันด้านที่มีคำว่า "22" เข้าหาตัว

วิธีถอดใบเลื่อย ให้คลายสกรูยึดและเปิดฝาครอบใบเลื่อย ดันล็อกก้านและคลายน็อตล็อกโดยใช้ประแจขันน็อตล็อก วิธีติดตั้งใบเลื่อย ก่อนอื่นให้ยึดแกนตัวโนไว้

จากนั้นให้ยึดใบเลื่อยและนอตล็อก ชั้นนอตล็อกให้แน่นโดยใช้ประแจขันนอตล็อก ปิดฝาครอบใบเลื่อยและชั้นสกรูยึดเพื่อยึดฝาครอบใบเลื่อย

#### **⚠ ข้อควรระวัง:**

- ใช้เฉพาะประแจขันนอตล็อก Makita ที่มีมาให้เพื่อถอดหรือใส่ใบเลื่อย
- ตรวจสอบความลึกของร่องหลังจากเปลี่ยนใบเลื่อยทุกครั้ง ทำการปรับหากจำเป็น

#### **ถุงดักฝุ่น**

▶ **หมายเลข 10:** 1. ถุงดักฝุ่น 2. สายรัด 3. ท่อดักฝุ่น

วิธีการติดตั้งถุงดักฝุ่น ให้ติดตั้งเข้ากับท่อดักฝุ่น หากถุงดักฝุ่นกีดขวางการทำงานของค้อน ให้หมุนท่อดักฝุ่นเพื่อเปลี่ยนตำแหน่งถุงดักฝุ่น

เมื่อถุงดักฝุ่นมีสิ่งสกปรกอยู่ครั้งถุง ให้ปิดเครื่องมือแล้วดึงปลั๊กออก ถอดถุงดักฝุ่นออกจากเครื่องมือและดึงสายรัดถุงออก นำฝุ่นออกจากถุงดักฝุ่นโดยเคาะเบาๆ เพื่อกำจัดฝุ่นออกไปให้มากที่สุดเท่าที่ทำได้

#### **หมายเหตุ:**

- หากคุณต่อที่ดูดฝุ่นของ Makita เข้ากับเครื่องเซาะร่อง จะสามารถทำงานที่มีประสิทธิภาพและสะอาดยิ่งกว่า

### **การใช้งาน**

#### **วิธีทำรอยต่อ**

#### **⚠ คำเตือน:**

- หมั่นขันงานไว้กับโต๊ะทำงานก่อนเริ่มงานแต่ละครั้งเสมอ

▶ **หมายเลข 11**

▶ **หมายเลข 12**

#### **รอยต่อแบบเข้ามุม (ภาพ A)**

▶ **หมายเลข 13**

▶ **หมายเลข 14**

▶ **หมายเลข 15**

#### **รอยต่อชนรูปตัวที (ภาพ B)**

▶ **หมายเลข 16**

▶ **หมายเลข 17**

▶ **หมายเลข 18**

#### **รอยต่อทำมุม 45 องศา (ภาพ C)**

▶ **หมายเลข 19**

▶ **หมายเลข 20**

#### **รอยต่อแบบเข้ากรอบ (ภาพ D)**

▶ **หมายเลข 21**

▶ **หมายเลข 22**

#### **รอยต่อแบบขอบชนขอบ (ภาพ E)**

▶ **หมายเลข 23**

▶ **หมายเลข 24**

วิธีทำรอยต่อ ให้ดำเนินการดังต่อไปนี้:

1. ประกอบชิ้นงานทั้งสองชิ้นเข้าด้วยกันในตำแหน่งที่ต้องการเมื่อทำรอยต่อเสร็จสิ้น
2. ใช้ดินสอดำเครื่องหมายจุดกึ่งกลางของร่องมิลลิเมตรที่ต้องการบนชิ้นงาน

#### **หมายเหตุ:**

- จุดกึ่งกลางของร่องควรอยู่ห่างจากขอบนอกของชิ้นงานอย่างน้อย 50 mm
- เมื่อระยะห่างระหว่างร่องไว้ประมาณ 100 mm - 150 mm หากใช้แผ่นมิลลิเมตรหลายชิ้น

3. สำหรับรอยต่อแบบเข้ามุมกับรอยต่อชนรูปตัวทีเท่านั้น หมั่นขันงานที่วางตั้งไว้กับโต๊ะทำงาน

สำหรับรอยต่อทำมุม 45 องศาเท่านั้น

หมั่นขันงานชิ้นหนึ่งไว้กับโต๊ะทำงานโดยให้ขอบที่ทำมุม 45 องศาหงายขึ้น

สำหรับรอยต่อแบบเข้ากรอบกับรอยต่อแบบขอบชนขอบเท่านั้น

หมั่นขันงานชิ้นหนึ่งไว้กับโต๊ะทำงาน

4. ตั้งค่าความลึกของร่องตามขนาดแผ่นมิลลิเมตรที่จะใช้โปรดดูรายละเอียดในตารางหัวข้อ "การปรับความลึกในการเซาะร่อง"
5. ปรับความสูงของตัวนำมุมเพื่อให้ใบเลื่อยอยู่ตรงกลางตามความหนาของแผ่นกระดาน
6. จัดเครื่องหมายกึ่งกลางบนฐานให้ตรงกับเส้นขีดดินสอบนชิ้นงาน
7. เปิดใช้งานเครื่องมือและดันเครื่องไปข้างหน้าเบาๆ เพื่อให้ใบเลื่อยกินเข้าไปในชิ้นงาน
8. ดึงเครื่องมือกลับสู่ตำแหน่งเดิมเบาๆ หลังจากที่สกรูปรับไปถึงสตัดเปอร์แล้ว

9. สำหรับรอยต่อแบบเข้ามุมกับรอยต่อชนรูปตัวทีเท่านั้น  
หนีบชิ้นงานที่วางนอนไว้กับโต๊ะทำงาน
- สำหรับรอยต่อทำมุม 45 องศาเท่านั้น  
หนีบชิ้นงานอีกชิ้นหนึ่งไว้กับโต๊ะทำงานโดยให้  
ขอบที่ทำมุม 45 องศาหงายขึ้น
- สำหรับรอยต่อแบบเข้ากรอบกับรอยต่อแบบขอบชน  
ขอบเท่านั้น  
หนีบชิ้นงานอีกชิ้นหนึ่งไว้กับโต๊ะทำงาน
10. สำหรับรอยต่อแบบเข้ามุมเท่านั้น  
วางเครื่องมือไว้บนชิ้นงานเพื่อให้ใบเลื่อยคว่ำ  
หน้า
- สำหรับรอยต่อชนรูปตัวทีเท่านั้น  
ถอดตัวนำมุมออกจากเครื่องมือ วางเครื่องมือไว้  
บนชิ้นงานเพื่อให้ใบเลื่อยคว่ำหน้า
11. ทำซ้ำในขั้นตอนที่ 6 - 8 เพื่อเจาะร่องบนชิ้นงานที่วาง  
นอนหรือชิ้นงานอีกชิ้นหนึ่ง

หากไม่จำเป็นต้องให้ใบเลื่อยอยู่ที่จุดกึ่งกลางความหนาของ  
แผ่นกระดาน ให้ดำเนินการดังต่อไปนี้:

สำหรับรอยต่อแบบเข้ามุม รอยต่อทำมุม 45 องศา  
รอยต่อแบบเข้ากรอบ และรอยต่อแบบขอบชนขอบ  
เท่านั้น

- ถอดตัวนำมุมออกจากเครื่องมือ ตั้งค่าฉากไว้ที่ 90°  
สำหรับรอยต่อแบบเข้ามุม รอยต่อแบบเข้ากรอบ และ  
รอยต่อแบบขอบชนขอบ หรือตั้งค่า 45° สำหรับรอย  
ต่อทำมุม 45 องศา
- ทำตามขั้นตอนที่ 1 - 11 โดยยกเว้นขั้นตอนที่ 5 และ  
10 ที่อธิบายไว้ด้านบน

สำหรับรอยต่อชนรูปตัวทีเท่านั้น

- ประกอบชิ้นงานทั้งสองชิ้นเข้าด้วยกันในตำแหน่งที่  
ต้องการเมื่อทำรอยต่อเสร็จสิ้น
- วางชิ้นงานที่วางตั้งไว้บนชิ้นงานที่วางนอน หนีบชิ้น  
งานทั้งสองชิ้นไว้กับโต๊ะทำงาน
- ถอดตัวนำมุมออกจากเครื่องมือ
- ทำตามขั้นตอนที่ 2, 4, 6, 7, 8 และ 11 ที่อธิบายไว้  
ด้านบน

## การบำรุงรักษา

### ⚠️ ข้อควรระวัง:

- ตรวจสอบให้แน่ใจเสมอว่าปิดสวิตช์เครื่องมือและ  
ถอดปลั๊กออกแล้วก่อนพยายามดำเนินการตรวจ  
สอบหรือบำรุงรักษา
- ห้ามใช้แก๊สโซลีน เบนซิน ทินเนอร์ แอลกอฮอล์  
หรือสิ่งอื่นที่คล้ายกันนี้ เนื่องจากอาจทำให้สีซีดจาง  
เสียรูป หรือแตกร้าวได้

► หมายเลข 25: 1. การระบายน้ำมัน 2. การดูแล

เครื่องมือและช่องระบายอากาศของเครื่องมือต้องสะอาดอยู่  
เสมอ ทำความสะอาดช่องระบายอากาศของเครื่องมือเป็น  
ประจำหรือเมื่อใดก็ตามที่ช่องระบายอากาศเริ่มถูกปิดกั้น  
เพื่อความปลอดภัยและความน่าเชื่อถือของผลิตภัณฑ์ ควร  
ให้ศูนย์บริการที่ผ่านการรับรองจาก Makita เป็นผู้ดำเนินการ  
การซ่อมแซม ตรวจสอบ และเปลี่ยนแปลงคาร์บอน บำรุง  
รักษา หรือทำการปรับตั้งอื่นๆ นอกจากนี้ให้ใช้อะไหล่ของ  
แท้จาก Makita เสมอ

## อุปกรณ์เสริม

### ⚠️ ข้อควรระวัง:

- ขอแนะนำให้ใช้อุปกรณ์เสริมหรืออุปกรณ์ต่อพ่วง  
เหล่านี้กับเครื่องมือของ Makita ที่ระบุไว้ในคู่มือนี้  
การใช้อุปกรณ์เสริมหรืออุปกรณ์ต่อพ่วงอื่นๆ อาจมี  
ความเสี่ยงที่จะได้รับบาดเจ็บ ใช้อุปกรณ์เสริมหรือ  
อุปกรณ์ต่อพ่วงตามวัตถุประสงค์ที่ระบุไว้เท่านั้น

หากต้องการทราบรายละเอียดเพิ่มเติมเกี่ยวกับอุปกรณ์เสริม  
เหล่านี้ โปรดสอบถามศูนย์บริการ Makita ใกล้บ้านคุณ

- ตัวนำมุม
- ลูกตักฝุ่น
- แผ่นตั้ง 4
- ประแจขันน็อตล็อก 20
- ใบเลื่อยเครื่องเจาะร่อง

### หมายเหตุ:

- อุปกรณ์บางอย่างในรายการเป็นอุปกรณ์เสริม  
มาตรฐานที่มีมาให้พร้อมกับชุดเครื่องมือ ซึ่งอาจ  
แตกต่างกันไปในแต่ละประเทศ

# Makita Corporation

3-11-8, Sumiyoshi-cho,  
Anjo, Aichi 446-8502 Japan

[www.makita.com](http://www.makita.com)

885075C375 EN, ZHCN, ID, MS, VI, TH 20200220
---