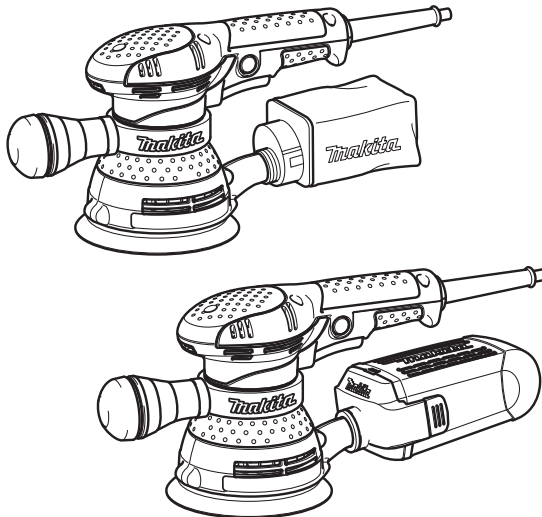
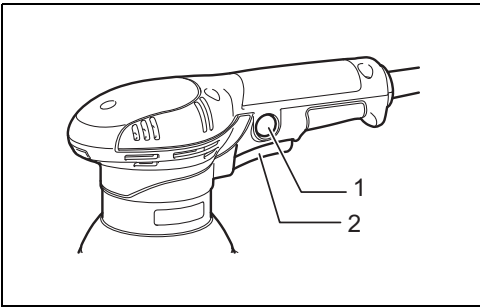




GB	Random Orbit Sander	Instruction manual
ZHCN	砂光机	使用说明书
ID	Mesin Ampelas Acak	Petunjuk penggunaan
VI	Máy Chà Nhám Quỹ Đạo Tròn Cầm Tay Hoạt Động Bằng Động Cơ Điện	Tài liệu hướng dẫn
TH	เครื่องขัดทรายแบบหมุน	คู่มือการใช้งาน

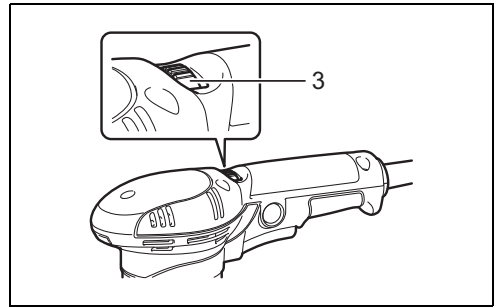
B05040
B05041





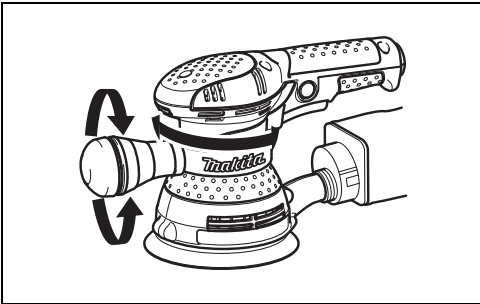
1

010743



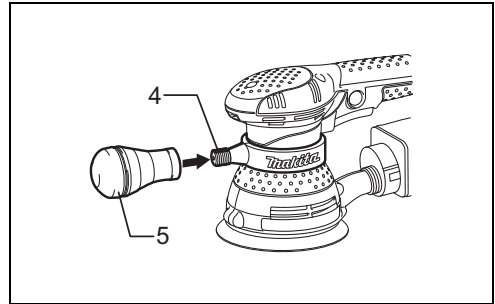
2

010744



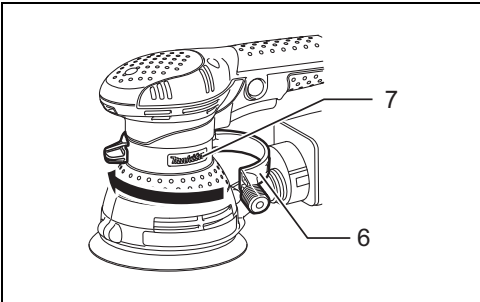
3

010809



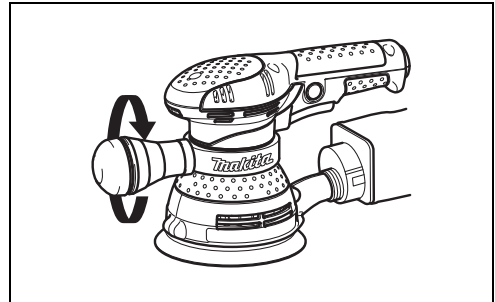
4

010805



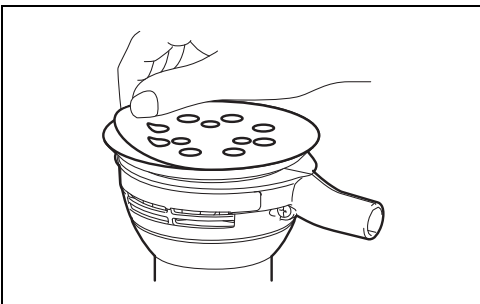
5

010804



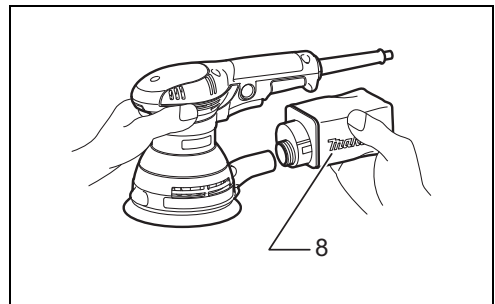
6

010806



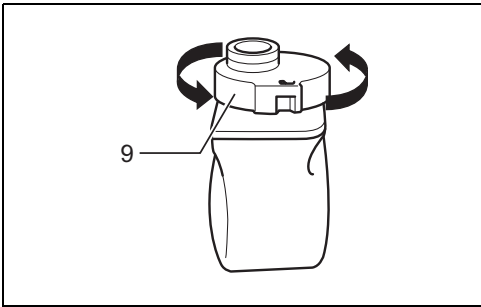
7

010745



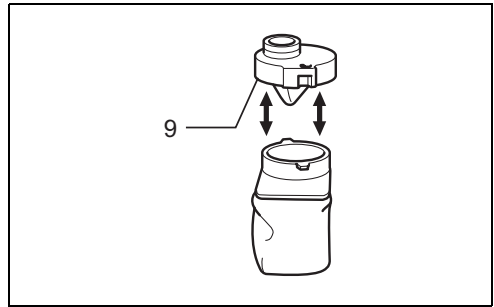
8

010746



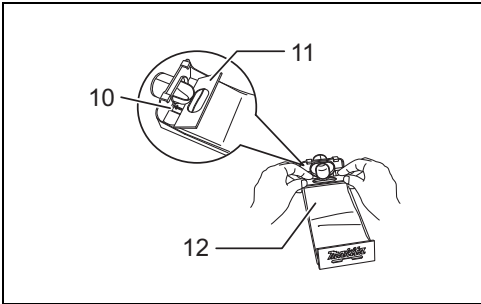
9

003323



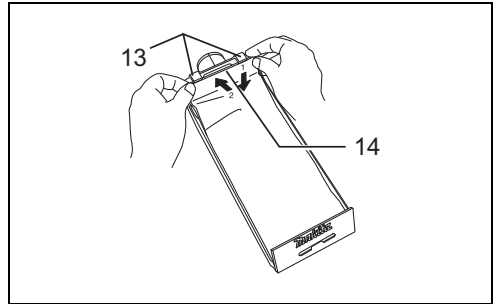
10

003326



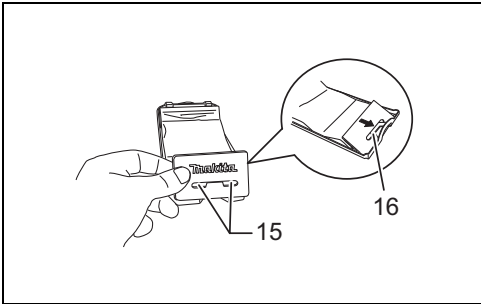
11

003742



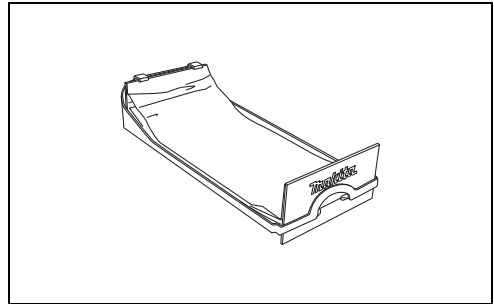
12

003743



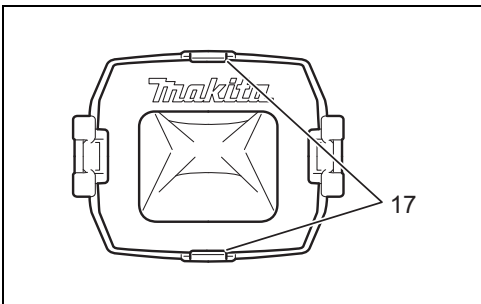
13

003744



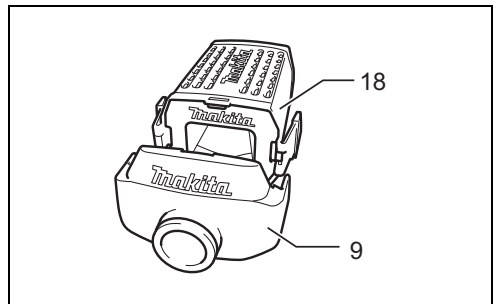
14

003745



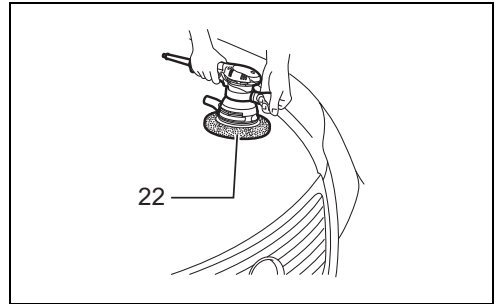
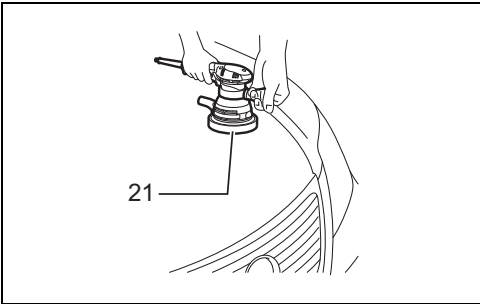
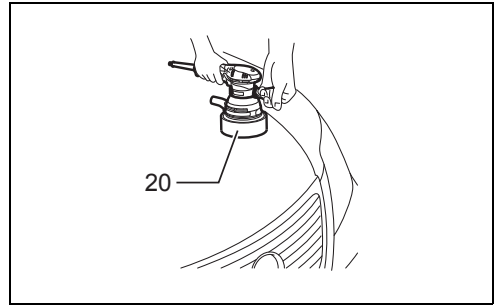
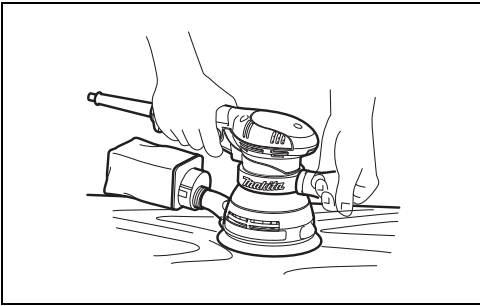
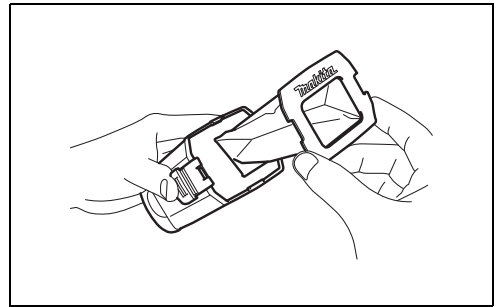
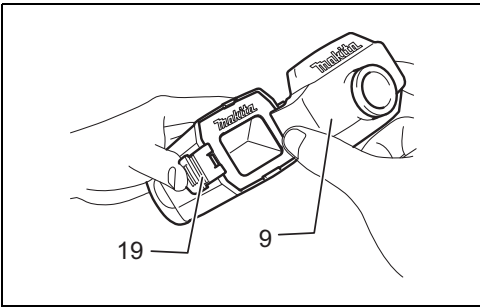
15

009094



16

009095



ENGLISH

Explanation of general view

- | | | |
|-------------------------|----------------------------------|-----------------|
| 1. Lock button | 9. Dust nozzle | 17. Holding tab |
| 2. Switch trigger | 10. Groove | 18. Dust box |
| 3. Speed adjusting dial | 11. Front fixing cardboard | 19. Latch |
| 4. Screw | 12. Front side of paper dust bag | 20. Sponge pad |
| 5. Front grip | 13. Claws | 21. Felt pad |
| 6. Grip base | 14. Upper part | 22. Wool bonnet |
| 7. Makita logo | 15. Notch | |
| 8. Dust bag | 16. Guide | |

SPECIFICATIONS

Model	BO5040	BO5041
Paper size	125 mm	125 mm
Orbits per minute (min ⁻¹)	12,000	4,000 - 12,000
Dimensions (L x W x H)	218 mm x 123 mm x 153 mm	218 mm x 123 mm x 153 mm
Net weight	1.4 kg	1.4 kg
Safety class	□/II	□/II

- Due to our continuing program of research and development, the specifications herein are subject to change without notice.
- Specifications may differ from country to country.
- Weight according to EPTA-Procedure 01/2014

END201-7

GEA012-2

Symbols

The following show the symbols used for the equipment. Be sure that you understand their meaning before use.



.... Read instruction manual.



..... DOUBLE INSULATION



..... Only for EU countries

Do not dispose of electric equipment together with household waste material! In observance of the European Directive, on Waste Electric and Electronic Equipment and its implementation in accordance with national law, electric equipment that have reached the end of their life must be collected separately and returned to an environmentally compatible recycling facility.

ENE052-1

Intended use

The tool is intended for the sanding of large surface of wood, plastic and metal materials as well as painted surfaces.

Power supply

The tool should be connected only to a power supply of the same voltage as indicated on the nameplate, and can only be operated on single-phase AC supply. They are double-insulated and can, therefore, also be used from sockets without earth wire.

ENF002-2

General power tool safety warnings

⚠ WARNING: Read all safety warnings, instructions, illustrations and specifications provided with this power tool. Failure to follow all instructions listed below may result in electric shock, fire and/or serious injury.

Save all warnings and instructions for future reference.

The term "power tool" in the warnings refers to your mains-operated (corded) power tool or battery-operated (cordless) power tool.

Work area safety

1. **Keep work area clean and well lit.** Cluttered or dark areas invite accidents.
2. **Do not operate power tools in explosive atmospheres, such as in the presence of flammable liquids, gases or dust.** Power tools create sparks which may ignite the dust or fumes.
3. **Keep children and bystanders away while operating a power tool.** Distractions can cause you to lose control.

Electrical Safety

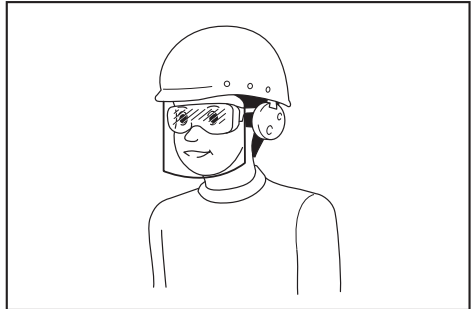
1. **Power tool plugs must match the outlet. Never modify the plug in any way. Do not use any adapter plugs with earthed (grounded) power tools.** Unmodified plugs and matching outlets will reduce risk of electric shock.

2. **Avoid body contact with earthed or grounded surfaces, such as pipes, radiators, ranges and refrigerators.** There is an increased risk of electric shock if your body is earthed or grounded.
3. **Do not expose power tools to rain or wet conditions.** Water entering a power tool will increase the risk of electric shock.
4. **Do not abuse the cord. Never use the cord for carrying, pulling or unplugging the power tool. Keep cord away from heat, oil, sharp edges or moving parts.** Damaged or entangled cords increase the risk of electric shock.
5. **When operating a power tool outdoors, use an extension cord suitable for outdoor use.** Use of a cord suitable for outdoor use reduces the risk of electric shock.
6. **If operating a power tool in a damp location is unavoidable, use a residual current device (RCD) protected supply.** Use of an RCD reduces the risk of electric shock.
7. **Use of power supply via an RCD with a rated residual current of 30 mA or less is always recommended.**
8. **Power tools can produce electromagnetic fields (EMF) that are not harmful to the user.**
However, users of pacemakers and other similar medical devices should contact the maker of their device and/or doctor for advice before operating this power tool.
9. **Do not touch the power plug with wet hands.**
10. **If the cord is damaged, have it replaced by the manufacturer or his agent in order to avoid a safety hazard.**

Personal Safety

1. **Stay alert, watch what you are doing and use common sense when operating a power tool. Do not use a power tool while you are tired or under the influence of drugs, alcohol or medication.** A moment of inattention while operating power tools may result in serious personal injury.
2. **Use personal protective equipment. Always wear eye protection.** Protective equipment such as a dust mask, non-skid safety shoes, hard hat or hearing protection used for appropriate conditions will reduce personal injuries.
3. **Prevent unintentional starting. Ensure the switch is in the off-position before connecting to power source and/or battery pack, picking up or carrying the tool.** Carrying power tools with your finger on the switch or energising power tools that have the switch on invites accidents.
4. **Remove any adjusting key or wrench before turning the power tool on.** A wrench or a key left attached to a rotating part of the power tool may result in personal injury.
5. **Do not overreach. Keep proper footing and balance at all times.** This enables better control of the power tool in unexpected situations.
6. **Dress properly. Do not wear loose clothing or jewellery. Keep your hair and clothing away from moving parts.** Loose clothes, jewellery or long hair can be caught in moving parts.

7. **If devices are provided for the connection of dust extraction and collection facilities, ensure these are connected and properly used.** Use of dust collection can reduce dust-related hazards.
8. **Do not let familiarity gained from frequent use of tools allow you to become complacent and ignore tool safety principles.** A careless action can cause severe injury within a fraction of a second.
9. **Always wear protective goggles to protect your eyes from injury when using power tools. The goggles must comply with ANSI Z87.1 in the USA, EN 166 in Europe, or AS/NZS 1336 in Australia/New Zealand. In Australia/New Zealand, it is legally required to wear a face shield to protect your face, too.**



It is an employer's responsibility to enforce the use of appropriate safety protective equipments by the tool operators and by other persons in the immediate working area.

Power tool use and care

1. **Do not force the power tool. Use the correct power tool for your application.** The correct power tool will do the job better and safer at the rate for which it was designed.
2. **Do not use the power tool if the switch does not turn it on and off.** Any power tool that cannot be controlled with the switch is dangerous and must be repaired.
3. **Disconnect the plug from the power source and/or remove the battery pack, if detachable, from the power tool before making any adjustments, changing accessories, or storing power tools.** Such preventive safety measures reduce the risk of starting the power tool accidentally.
4. **Store idle power tools out of the reach of children and do not allow persons unfamiliar with the power tool or these instructions to operate the power tool.** Power tools are dangerous in the hands of untrained users.
5. **Maintain power tools and accessories. Check for misalignment or binding of moving parts, breakage of parts and any other condition that may affect the power tool's operation. If damaged, have the power tool repaired before use.** Many accidents are caused by poorly maintained power tools.
6. **Keep cutting tools sharp and clean.** Properly maintained cutting tools with sharp cutting edges are less likely to bind and are easier to control.

7. Use the power tool, accessories and tool bits etc. in accordance with these instructions, taking into account the working conditions and the work to be performed. Use of the power tool for operations different from those intended could result in a hazardous situation.
8. Keep handles and grasping surfaces dry, clean and free from oil and grease. Slippery handles and grasping surfaces do not allow for safe handling and control of the tool in unexpected situations.
9. When using the tool, do not wear cloth work gloves which may be entangled. The entanglement of cloth work gloves in the moving parts may result in personal injury.

Service

1. Have your power tool serviced by a qualified repair person using only identical replacement parts. This will ensure that the safety of the power tool is maintained.
2. Follow instruction for lubricating and changing accessories.

GEB021-4

SANDER SAFETY WARNINGS

1. Always use safety glasses or goggles. Ordinary eye or sun glasses are NOT safety glasses.
2. Hold the tool firmly.
3. Do not leave the tool running. Operate the tool only when hand-held.
4. This tool has not been waterproofed, so do not use water on the workpiece surface.
5. Ventilate your work area adequately when you perform sanding operations.
6. Some material contains chemicals which may be toxic. Take caution to prevent dust inhalation and skin contact. Follow material supplier safety data.
7. Use of this tool to sand some products, paints and wood could expose user to dust containing hazardous substances. Use appropriate respiratory protection.
8. Be sure that there are no cracks or breakage on the pad before use. Cracks or breakage may cause a personal injury.

SAVE THESE INSTRUCTIONS.

⚠ WARNING:

DO NOT let comfort or familiarity with product (gained from repeated use) replace strict adherence to safety rules for the subject product. MISUSE or failure to follow the safety rules stated in this instruction manual may cause serious personal injury.

FUNCTIONAL DESCRIPTION

⚠ CAUTION:

- Always be sure that the tool is switched off and unplugged before adjusting or checking function on the tool.

Switch action (Fig. 1)

⚠ CAUTION:

- Before plugging in the tool, always check to see that the switch trigger actuates properly and returns to the "OFF" position when released.
- Switch can be locked in "ON" position for ease of operator comfort during extended use. Apply caution when locking tool in "ON" position and maintain firm grasp on tool.

To start the tool, simply pull the switch trigger. Release the switch trigger to stop.

For continuous operation, pull the switch trigger and push in the lock button and then release the switch trigger.

To stop the tool from the locked position, pull the switch trigger fully, then release it.

Speed adjusting dial

For BO5041 only (Fig. 2)

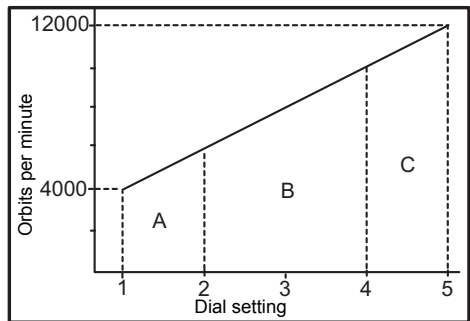
The tool speed can be infinitely adjusted between 4,000 and 12,000 orbits per minute by turning the adjusting dial. Higher speed is obtained when the dial is turned in the direction of number 5; lower speed is obtained when it is turned in the direction of number 1.

Refer to the figure for the relationship between the number settings on the adjusting dial and the kind of work.

A range: For polishing

B range: For finish sanding

C range: For regular sanding



003291

NOTE:

- The figure shows standard applications. They may differ under certain conditions.

ASSEMBLY

CAUTION:

- Always be sure that the tool is switched off and unplugged before carrying out any work on the tool.

How to use the front grip (Fig. 3)

The front grip can be loosened and moved horizontally to a desired working position. Once the front grip is in the desired position, retighten before using.

Installing or removing the front grip (Fig. 4)

Open the grip base, and attach it to the sander in the area of the Makita logo. (Fig. 5)

After closing the grip base, firmly tighten on the front grip to the screw section of the grip base.

To remove, loosen and remove front grip, and then remove grip base. (Fig. 6)

Installing or removing abrasive disc (Fig. 7)

To install the abrasive disc, first remove all dirt or foreign matter from the pad. Then peel off the backing paper from the abrasive disc and attach the abrasive disc to the pad. Be careful to align the holes in the abrasive disc with those in the pad.

CAUTION:

- If you peel off the abrasive disc from the pad, its adhesion will become poor. Never attempt to stick it onto the pad for further use.

Installing dust bag (Fig. 8)

Install the dust bag on the tool so that the Makita logo on the dust bag will be upright (not upside down).

Emptying dust bag

When the dust bag is about half full, switch off and unplug the tool. Remove the dust bag from the tool. Then remove the dust nozzle from the dust bag after unlocking the dust nozzle by turning it slightly counterclockwise. Empty the dust bag by tapping it lightly. (Fig. 9)

After emptying the dust bag, install the dust nozzle on the dust bag. Turn the dust nozzle slightly clockwise to lock it in place. Then install the dust bag on the tool as described in "Installing dust bag". (Fig. 10)

Installing paper dust bag

Place the paper dust bag on the paper dust bag holder with its front side upward. Insert the front fixing cardboard of the paper dust bag into the groove of the paper dust bag holder. (Fig. 11)

Then press the upper part of the front fixing cardboard in arrow direction to hook it onto the claws. (Fig. 12)

Insert the notch of the paper dust bag into the guide of the paper dust bag holder. Then install the paper dust bag holder set on the tool. (Fig. 13 & Fig. 14)

Installing paper filter bag

Make sure that the logo on the cardboard lip and the logo on the dust box are on the same side, then install the paper filter bag by fitting the cardboard lip in the groove of each holding tab. (Fig. 15)

Make sure that the logo on the cardboard lip and the logo on the dust nozzle are on the same side, then install the dust nozzle on the dust box. (Fig. 16)

Removing dust box and paper filter bag

Remove the dust nozzle by pushing the two latches. (Fig. 17)

Remove the paper filter bag first by pinching the logo side of its cardboard lip, then by pulling the cardboard lip downwards to move it out of the holding tab of the dust box. (Fig. 18)

OPERATION

CAUTION:

- Always use the front grip and firmly hold the tool by front grip and switch handle during operations.

Sanding operation (Fig. 19)

CAUTION:

- Never run the tool without the abrasive disc. You may seriously damage the pad.
- Never force the tool. Excessive pressure may decrease the sanding efficiency, damage the abrasive disc or shorten tool life.
- Using the tool with the pad edge contacting the workpiece may damage the pad.

Hold the tool firmly. Turn the tool on and wait until it attains full speed. Then gently place the tool on the workpiece surface. Keep the pad flush with the workpiece and apply slight pressure on the tool.

CAUTION:

- The sanding pad rotates clockwise during the loaded operation, but it may rotate counterclockwise during the no-load operation.

Polishing operation

For BO5041 only

CAUTION:

- Use only a Makita genuine sponge pad, felt pad or wool pad (optional accessories).
- Always operate the tool at low speed to prevent work surfaces from heating abnormally.
- Never force the tool. Excessive pressure may decrease the polishing efficiency and cause motor overload, resulting in tool malfunction.

1. Applying wax (Fig. 20)

Use an optional sponge pad. Apply wax to the sponge pad or work surface. Run the tool at low speed to smooth out wax.

NOTE:

- First, wax a not conspicuous portion of the work surface to make sure that the tool will not scratch the surface or result in uneven waxing.
- Always run the tool at low speed. Running it at high speed may cause the wax to spatter.

2. **Removing wax (Fig. 21)**

Use an optional felt pad. Run the tool at low speed to remove wax.

3. **Polishing (Fig. 22)**

Use an optional wool pad. Run the tool at low speed and apply the wool pad gently to the work surface.

MAINTENANCE

CAUTION:

- Always be sure that the tool is switched off and unplugged before attempting to perform inspection or maintenance.

• Never use gasoline, benzine, thinner, alcohol or the like. Discoloration, deformation or cracks may result.

To maintain product SAFETY and RELIABILITY, repairs, carbon brush inspection and replacement, any other maintenance or adjustment should be performed by Makita Authorized Service Centers, always using Makita replacement parts.

OPTIONAL ACCESSORIES

CAUTION:

- These accessories or attachments are recommended for use with your Makita tool specified in this manual. The use of any other accessories or attachments might present a risk of injury to persons. Only use accessory or attachment for its stated purpose.

If you need any assistance for more details regarding these accessories, ask your local Makita Service Center.

- Hook-and-loop type abrasive discs (with pre-punched holes)
- Hook-and-loop type sponge pad
- Paper dust bag holder

(For BO5041 only)

- Hook-and-loop type felt pad
- Hook-and-loop type wool pad
- Paper dust bag

NOTE:

- Some items in the list may be included in the tool package as standard accessories. They may differ from country to country.

一般外观说明

- | | | |
|-------------------|-------------|-----------|
| 1. 锁定按钮 | 9. 集尘口 | 17. 把手 |
| 2. 开关扳机 | 10. 凹槽 | 18. 集尘箱 |
| 3. 转速调节刻度盘 | 11. 前固定纸板 | 19. 锁扣 |
| 4. 螺丝 | 12. 纸集尘袋的正面 | 20. 海绵垫 |
| 5. 前把手 | 13. 卡爪 | 21. 毛毡垫 |
| 6. 把手基座 | 14. 上部 | 22. 羊毛抛光球 |
| 7. Makita (牧田) 标志 | 15. 凹槽 | |
| 8. 集尘袋 | 16. 导板 | |

规格

型号	BO5040	BO5041
研磨纸尺寸	125 mm	125 mm
每分钟回转数 (/min)	12,000	4,000 - 12,000
尺寸 (长 × 宽 × 高)	218 mm × 123 mm × 153 mm	218 mm × 123 mm × 153 mm
净重	1.4 kg	1.4 kg
安全等级	II/III	II/III

- 由于持续的研发计划，生产者保留变更规格不另行通知之权利。
- 规格可能因销往国家之不同而异。
- 重量符合 EPTA-Procedure 01/2014


END201-7

ENF002-2

符号

以下显示本设备使用的符号。在使用工具之前请务必理解其含义。



 ...阅读使用说明书。



..... 双重绝缘



.....仅限于欧盟国家
请勿将电气设备与家庭普通废弃物一同丢弃！请务必遵守欧洲关于废弃电子电气设备的指令，根据各国法律法规执行。达到使用寿命的电气设备必须分类回收至符合环境保护规定的再循环机构。

ENE052-1

用途

本工具用于木材、塑料、金属及涂漆表面大面积的砂磨操作。

电源

本工具只可连接电压与铭牌所示电压相同的电源，且仅可使用单相交流电源。本工具双重绝缘，因此也可用于不带接地线的插座。

GEA012-2

电动工具一般安全警告

△警告：请通读本电动工具附带的所有安全警告、说明、插图和规格。若不遵循下列说明，则可能导致触电、起火和 / 或严重的人身伤害。

请保留所有的警告和说明事项，以备日后参考。

警告中所说的“电动工具”指用电源（接线式）或电池（充电式）驱动的电动工具。

工作区域安全事项

1. 保持工作区域清洁，照明情况良好。混乱或黑暗的工作区域容易招致意外情况发生。
2. 请勿在易爆环境，如有可燃性液体、气体或粉尘的环境下操作电动工具。电动工具产生的火花可能会引燃粉尘或气体。

3. 操作电动工具时请让儿童和旁观者远离。操作时的分心会使您无法正常控制工具。

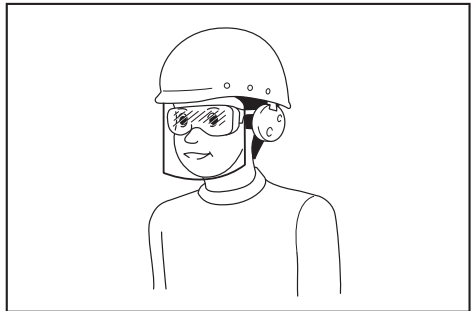
电气安全事项

1. 电动工具的插头必须与插座相匹配。切勿以任何方式对插头进行改装。请勿将任何适配器插头用于接地的电动工具。未经改装的插头和相匹配的插座可降低触电的危险。
2. 请避免与接地的表面如管子、散热器、炉灶以及冰箱等进行身体接触。如果您的身体接地，将会增加触电的危险。
3. 请勿将电动工具暴露在雨水或潮湿的环境中。水进入电动工具将增加触电的危险。
4. 请勿滥用导线。切勿用导线拖拽工具或拔下电动工具的插头。避免使导线受热、沾染油脂，碰到尖锐的边缘或移动的部件。破损或缠绕的导线会增加触电的危险。
5. 在室外操作电动工具时，请使用户外专用的延长线。使用户外专用的导线可降低触电的危险。
6. 如果必须要在潮湿的场所操作电动工具时，请使用带剩余电流装置（RCD）保护功能的电源。使用 RCD 可降低触电的危险。
7. 始终建议通过额定剩余电流为 30 mA 或以下的 RCD 来使用电源。
8. 电动工具会产生对用户无害的电磁场（EMF）。
但是，起搏器和其他类似医疗设备的用户应在操作本电动工具前咨询其设备的制造商和 / 或医生寻求建议。
9. 请勿用湿手触摸电源插头。
10. 如果导线破损，则由制造商或其代理商更换以避免安全隐患。

人身安全注意事项

1. 操作电动工具时请保持警惕，注意您的操作，并运用常识。
请勿在疲惫或麻醉品、酒精或其他药物作用的影响下操作电动工具。在操作电动工具期间分心可能会导致严重的人身伤害。
2. 请使用个人劳防用品。请务必佩戴安全眼镜。正确使用防尘面罩、防滑安全鞋、硬质帽子或耳罩等劳防用品可减少人身伤害的危险。
3. 防止意外启动。在连接至电源和 / 或电池组，拿起或搬运工具之前，请确保开关处于关闭位置。搬运工具时手指放在开关上或者在开关打开的情况下给工具通电会导致意外情况发生。

4. 在启动工具之前请取下所有的调节钥匙或扳手。如果工具的旋转部件上留有扳手或调节钥匙，则可能会导致人身伤害。
5. 操作时手不要伸得太长。操作时请双脚站稳，始终保持平衡。这样可在意外情况下较好地控制工具。
6. 着装适当。不要穿宽松衣服或佩戴饰品。让你的头发和衣服远离运动部件。宽松衣服、佩饰或长发可能会卷入移动的部件。
7. 如果提供了与除尘和集尘设备连接用的装置，请确保将其正确连接和使用。使用集尘设备可减少与粉尘有关的意外事件。
8. 不要因为频繁使用工具而产生的熟悉感而掉以轻心，忽视工具的安全准则。某个粗心的动作可能在瞬间导致严重的伤害。
9. 务必佩戴护目镜以保护眼睛免受使用电动工具时造成的伤害。
护目镜必须符合美国 ANSI Z87.1、欧洲 EN 166 或澳大利亚 / 新西兰 AS/NZS 1336 标准。在澳大利亚 / 新西兰，法律要求佩戴面罩保护脸部。



雇主有责任监督工具操作者和其他近工作区域人员佩戴合适的安全防护设备。

电动工具的使用和保养

1. 不要强力按压电动工具。根据用途使用正确的电动工具。使用工具时不可超出其设计额定值，这样才能更好、更安全地完成作业。
2. 如果工具的开关无法使工具开启和关闭，则请勿使用该工具。无法通过开关控制的电动工具非常危险，必须进行维修。
3. 在进行任何调节、更换附件或贮存电动工具之前，必须从电源上拔掉插头和 / 或卸下电池组（如可拆卸）。这种防护性的安全措施可降低电动工具意外启动的风险。
4. 将闲置的电动工具存放于儿童无法触及之处，并且不得让任何不熟悉工具或这些说明事项的人员操作工具。电动工具在未经训练的用户手中是危险的。

5. 维护电动工具及其附件。检查运动部件是否调整到位或卡住，检查零件破损情况和影响电动工具运行的其他状况。如有损坏，应在使用前修理好电动工具。许多事故是由维护不良的电动工具引发的。
6. 保持切割工具的锋利和清洁。保养良好，具有锋利切边的切割工具不易粘连，并且易于控制。
7. 按照这些说明事项，根据作业条件和作业特点来使用电动工具、附件和钻头。将电动工具用于除了这些设计用途以外的操作时将导致意外情况发生。
8. 保持把手和抓握表面干燥、清洁，无油污和润滑脂。湿滑的把手和抓握表面无法在意外情况下安全处理和控制在工具。
9. 使用本工具时，请勿佩戴可能会缠结的布质工作手套。布质工作手套卷入移动部件可能会造成人身伤害。

维修服务

1. 请将您的电动工具交由有资格的专业维修人员处理，仅可使用与原部件相同的更换部件。这样可确保工具的安全性。
2. 根据说明进行润滑和更换附件。

GEB021-4

砂光机使用安全警告

1. 请使用安全眼镜或护目镜。普通眼镜或太阳眼镜并非安全眼镜。
2. 请牢握本工具。
3. 运行中的工具不可离手放置。只可在手握工具的情况下操作工具。
4. 本工具不防水，因此请保持工件表面干燥。
5. 进行砂磨操作时，请对工作区进行足够的通风。
6. 某些材料含有有毒化学物质。小心不要吸入粉尘，并避免皮肤接触。遵循材料供应商的安全提示。
7. 使用本工具打磨某些产品、油漆和木材时，使用者会接触到含有有毒物质的粉尘。请采取正确的呼吸保护措施。
8. 使用前请确认垫盘上没有裂缝或破裂。裂缝或破裂会导致人身伤害。

请保留此说明书。

警告：

请勿为图方便或因对产品足够熟悉（由于重复使用而获得的经验）而不严格遵循相关产品安全规则。使用不当或不遵循使用说明书中的安全规则会导致严重的人身伤害。

功能描述

△小心：

- 在调节或检查工具功能之前，请务必关闭工具电源开关并拔下电源插头。

开关操作（图 1）

△小心：

- 插上工具电源插头之前，请务必确认开关扳机能够正常工作，松开时能回到“OFF”（关闭）位置。
- 长时间使用时，可将开关锁定在“ON”（开启）位置，使操作更加舒适。将工具锁定在“ON”（开启）位置时请小心，务必牢固抓握工具。

启动工具时，只要扣动开关扳机即可。松开开关扳机工具即停止。

连续操作时，请扣动开关扳机并按下锁定按钮，然后松开开关扳机。

要从锁定位置停止工具时，可将开关扳机扣到底，然后松开。

转速调节刻度盘

仅限 BO5041（图 2）

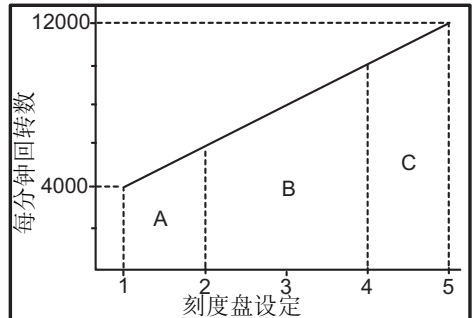
转动调节刻度盘可在每分钟 4,000 和 12,000 圈的速度范围内无限调节工具速度。朝数字 5 方向旋转刻度盘时，转速递增；朝数字 1 方向旋转刻度盘时，转速递减。

有关调节刻度盘上的数值设定和作业类型之间的关系，请参见图示。

A 范围：用于抛光

B 范围：用于修饰性砂磨

C 范围：用于普通砂磨



003291

注：

- 该图显示了标准应用。它们可能因不同条件而异。

装配

△小心：

- 对工具进行任何装配操作前请务必确认工具已关闭且已拔下电源插头。

前把手使用方法（图 3）

可以拧松前把手，然后沿水平方向将其移动到至所需的工作位置。将前把手置于所需位置后，应先重新拧紧，再继续使用。

安装或拆卸前把手（图 4）

打开把手基座，然后将其安装于砂光机的 Makita（牧田）标志区域。（图 5）

关闭把手基座后，将前把手旋拧至把手基座螺纹上并拧紧。

拆卸时，应先拧松并拆卸前把手，然后拆卸把手基座。（图 6）

砂轮片的安装或拆卸（图 7）

若要安装砂轮片，请先清除垫片上所有的污垢或异物。然后撕下砂轮片上的背纸，然后将砂轮片安装至垫片。请将砂轮片上的孔和垫片上的孔仔细对齐。

△小心：

- 如果您将砂轮片从垫片上剥下，则粘性会下降。切勿将其再粘到垫片上继续使用。

安装集尘袋（图 8）

在工具上安装集尘袋，使集尘袋上的 Makita（牧田）标志竖立（而不是倒立）。

清空集尘袋

集尘袋约半满时，请关闭工具并拔下插头。从工具上拆下集尘袋。然后将集尘口沿逆时针方向略微转动，将其松开，以便从集尘袋上拆下。轻轻拍打以清空集尘袋。（图 9）

清空集尘袋后，将集尘口安装至集尘袋。略微顺时针转动集尘口以将其锁定到位。然后按照“安装集尘袋”部分的说明将集尘袋安装至工具。（图 10）

安装纸集尘袋

将纸集尘袋置于纸集尘袋支架上，使其正面朝上。将纸集尘袋的前固定纸板插入纸集尘袋支架的凹槽中。（图 11）

然后沿箭头方向按前固定纸板的上部，将其钩在卡爪上。（图 12）

将纸集尘袋的槽口插入纸集尘袋支架的导板。然后在工具上安装纸集尘袋支架套件。

（图 13 及图 14）

安装研磨纸过滤袋

确保纸板边缘上的标识与集尘箱上的标识位于同一侧，然后将纸板边缘装入两个把手的凹槽中以安装研磨纸过滤袋。（图 15）

确保纸板边缘上的标识与集尘口上的标识位于同一侧，然后将集尘口安装在集尘箱上。

（图 16）

取下集尘箱和研磨纸过滤袋

推两个锁定装置以取下集尘口。（图 17）

取下研磨纸过滤袋时，首先挤压纸板边缘有标识的一侧，然后向下拉纸板边缘，从集尘箱的把手处将其拉出。（图 18）

操作

△小心：

- 操作期间，请务必始终使用前把手，同时通过前把手和开关手柄抓紧工具。

砂光操作（图 19）

△小心：

- 切勿在未安装砂轮片时运转工具，否则可能会严重损坏垫片。
- 切勿对工具用力过大。过度施力可能会降低砂磨效率、使砂轮片受损或缩短工具使用寿命。
- 使用工具时如果垫片的边缘接触到工件，则会损坏垫片。

请牢握本工具。启动工具后应等待其达到全速运转时再进行操作。将工具轻轻放置于工件表面上。垫片与工件保持平齐，对工具轻微施力。

△小心：

- 负载操作期间，砂盘会顺时针旋转，空载操作期间，砂盘则可能逆时针旋转。

抛光操作

仅限 BO5041

△小心：

- 请仅使用正品 Makita（牧田）海绵垫、毛毡垫或羊绒抛光刷（选购附件）。
- 请务必低速操作工具，以免工作台表面过热。
- 切勿对工具用力过大。压力过大可能会降低抛光效率并引起电机过载，导致工具出现故障。

1. 涂蜡（图 20）

请使用选购的海绵垫。将蜡涂抹在海绵垫或工作表面上。低速运行工具，使蜡分布均匀。

注：

- 首先，在工作台表面上涂抹适量的蜡，以确保工具不会刮花表面或导致蜡的分布不均匀。
- 请务必低速运行工具。高速运行工具可能会使蜡飞溅出来。

2. 除蜡（图 21）

请使用选购的毛毡垫。低速运行工具，清除表面上的蜡。

3. 抛光（图 22）

请使用选购的羊绒抛光刷。低速运行工具，并在工作台表面上使用羊绒抛光刷轻轻进行操作。

保养

⚠小心：

- 检查或保养工具之前，请务必关闭工具电源开关并拔下插头。
- 切勿使用汽油、苯、稀释剂、酒精或类似物品清洁工具。否则可能会导致工具变色、变形或出现裂缝。

为了保证产品的安全性与可靠性，任何维修、碳刷检查、更换部件或其它维修保养工作需由 Makita（牧田）授权服务中心完成。务必使用 Makita（牧田）的替换部件。

选购附件

⚠小心：

- 这些附件或装置专用于本说明书所列的 Makita（牧田）电动工具。使用其他附件或装置存在人身伤害风险。仅可将附件或装置用于规定目的。

如您需要了解更多关于这些选购附件的信息，请咨询当地的 Makita（牧田）维修服务中心。

- 钩环型砂轮机片（带有预打孔）
- 钩环型海绵垫
- 纸集尘袋支架
(仅限 BO5041)
- 钩环型毛毡垫
- 钩环型羊绒抛光刷
- 纸集尘袋

注：

- 本列表中的一些部件可能作为标准附件包含于工具包装内。它们可能因销往国家之不同而异。

BAHASA INDONESIA

Penjelasan tampilan keseluruhan

- | | | |
|------------------------------|------------------------------------|-------------------------|
| 1. Tombol kunci | 9. Nosel debu | 17. Tab penahan |
| 2. Saklar pemacu | 10. Alur | 18. Kotak debu |
| 3. Saklar penyatel kecepatan | 11. Papan pemasang bagian depan | 19. Pengunci |
| 4. Sekrup | 12. Sisi depan kantong debu kertas | 20. Bantalan spons |
| 5. Gagang depan | 13. Penjepit | 21. Bantalan bulu kempa |
| 6. Alas gagang | 14. Bagian atas | 22. Bonet wol |
| 7. Logo Makita | 15. Takik | |
| 8. Kantong debu | 16. Pemandu | |

SPESIFIKASI

Model	BO5040	BO5041
Ukuran kertas	125 mm	125 mm
Putaran per menit (min^{-1})	12.000	4.000 - 12.000
Dimensi (P x L x T)	218 mm x 123 mm x 153 mm	218 mm x 123 mm x 153 mm
Berat bersih	1,4 kg	1,4 kg
Kelas keamanan	□/II	□/II

- Karena kesinambungan program penelitian dan pengembangan kami, spesifikasi yang disebutkan di sini dapat berubah tanpa pemberitahuan.
- Spesifikasi dapat berbeda dari satu negara ke negara lainnya.
- Berat menurut Prosedur EPTA 01/2014

END201-7

ENF002-2

Simbol

Berikut ini adalah simbol-simbol yang digunakan pada peralatan ini.
Pastikan Anda mengerti makna masing-masing simbol sebelum menggunakan alat.



..... Baca petunjuk penggunaan.



..... ISOLASI GANDA



..... Hanya untuk negara-negara UE
Jangan membuang peralatan listrik atau paket baterai bersama-sama dengan bahan limbah rumah tangga!
Dengan memerhatikan Petunjuk Eropa, tentang Limbah Peralatan Listrik dan Elektronik serta pelaksanaannya sesuai dengan ketentuan hukum nasional, peralatan listrik yang telah habis umur pakainya harus dikumpulkan secara terpisah dan dikembalikan ke fasilitas daur ulang yang kompatibel secara lingkungan.

ENE052-1

Penggunaan

Mesin ini digunakan untuk mengampelas permukaan yang luas pada bahan kayu, plastik dan logam serta permukaan yang dicat.

Pasokan daya

Mesin harus terhubung dengan pasokan daya listrik yang bervoltase sama dengan yang tertera pada pelat nama, dan hanya dapat dijalankan dengan listrik AC fase tunggal. Mesin diisolasi ganda dan oleh sebab itu dapat dihubungkan dengan soket tanpa arde.

GEA012-2

Peringatan keselamatan umum mesin listrik

⚠ PERINGATAN: Bacalah semua peringatan keselamatan, petunjuk, ilustrasi dan spesifikasi yang disertakan bersama mesin listrik ini.

Kelalaian untuk mematuhi semua petunjuk yang tercantum di bawah ini dapat menyebabkan sengatan listrik, kebakaran dan/atau cedera serius.

Simpanlah semua peringatan dan petunjuk untuk acuan di masa depan.

Istilah "mesin listrik" dalam semua peringatan mengacu pada mesin listrik yang dijalankan dengan sumber listrik jala-jala (berkabel) atau baterai (tanpa kabel).

Keselamatan tempat kerja

1. **Jaga tempat kerja selalu bersih dan berpenerangan cukup.** Tempat kerja yang berantakan dan gelap mengundang kecelakaan.
2. **Jangan gunakan mesin listrik dalam lingkungan yang mudah meledak, misalnya jika ada cairan, gas, atau debu yang mudah menyala.** Mesin listrik menimbulkan bunga api yang dapat menyalaikan debu atau uap tersebut.

3. **Jauhkan anak-anak dan orang lain saat menggunakan mesin listrik.** Bila perhatian terpecah, anda dapat kehilangan kendali.

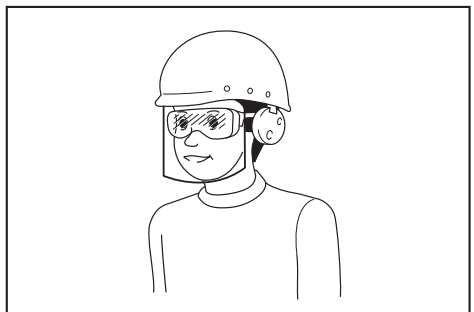
Keamanan Kelistrikan

1. **Steker mesin listrik harus cocok dengan stopkontak. Jangan sekali-kali mengubah steker dengan cara apa pun. Jangan menggunakan steker adaptor dengan mesin listrik terbumi (dibumikan).** Steker yang tidak diubah dan stopkontak yang cocok akan mengurangi risiko sengatan listrik.
2. **Hindari sentuhan tubuh dengan permukaan terbumi atau yang dibumikan seperti pipa, radiator, kompor, dan kulkas.** Risiko sengatan listrik bertambah jika tubuh Anda terbumikan atau dibumikan.
3. **Jangan membiarkan mesin listrik kejuanan atau kebasahan.** Air yang masuk ke dalam mesin listrik akan meningkatkan risiko sengatan listrik.
4. **Jangan menyalahgunakan kabel. Jangan sekali-kali menggunakan kabel untuk membawa, menarik, atau mencabut mesin listrik dari stopkontak. Jauhkan kabel dari panas, minyak, tepian tajam, atau bagian yang bergerak.** Kabel yang rusak atau kusut memperbesar risiko sengatan listrik.
5. **Bila menggunakan mesin listrik di luar ruangan, gunakan kabel ekstensi yang sesuai untuk penggunaan di luar ruangan.** Penggunaan kabel yang sesuai untuk penggunaan luar ruangan mengurangi risiko sengatan listrik.
6. **Jika mengoperasikan mesin listrik di lokasi lembap tidak terhindarkan, gunakan pasokan daya yang dilindungi peranti imbasan arus (residual current device - RCD).** Penggunaan RCD mengurangi risiko sengatan listrik.
7. **Penggunaan pasokan daya melalui RCD dengan kapasitas arus sisa 30 mA atau kurang selalu dianjurkan.**
8. **Mesin listrik dapat menghasilkan medan magnet (EMF) yang tidak berbahaya bagi pengguna.** Namun, pengguna alat pacu jantung atau peralatan medis sejenisnya harus berkonsultasi dengan produsen peralatan tersebut dan/atau dokter mereka sebelum mengoperasikan mesin listrik ini.
9. **Jangan menyentuh colokan daya dengan tangan basah.**
10. **Jika kabel rusak, penggantian harus dilakukan oleh produsen atau agennya untuk menghindari bahaya keselamatan.**

Keselamatan Diri

1. **Jaga kewaspadaan, perhatikan pekerjaan Anda dan gunakan akal sehat bila menggunakan mesin listrik. Jangan menggunakan mesin listrik saat Anda lelah atau di bawah pengaruh obat bius, alkohol, atau obat.** Sekejap saja lalai saat menggunakan mesin listrik dapat menyebabkan cedera badan serius.
2. **Gunakan alat pelindung diri. Selalu gunakan pelindung mata.** Peralatan pelindung seperti masker debu, sepatu pengaman anti-selip, helm pengaman, atau pelindung telinga yang digunakan untuk kondisi yang sesuai akan mengurangi risiko cedera badan.

3. **Cegah penyalan yang tidak disengaja. Pastikan bahwa sakelar berada dalam posisi mati (off) sebelum menghubungkan mesin ke sumber daya dan/atau paket baterai, atau mengangkat atau membawanya.** Membawa mesin listrik dengan jari Anda pada sakelarnya atau mengalirkan listrik pada mesin listrik yang sakelarnya hidup (on) akan mengundang kecelakaan.
4. **Lepaskan kunci-kunci penyetel sebelum menghidupkan mesin listrik.** Kunci-kunci yang masih terpasang pada bagian mesin listrik yang berputar dapat menyebabkan cedera.
5. **Jangan meraih terlalu jauh. Jagalah pijakan dan keseimbangan sepanjang waktu.** Hal ini memungkinkan kendali yang lebih baik atas mesin listrik dalam situasi yang tidak diharapkan.
6. **Kenakan pakaian yang memadai. Jangan memakai pakaian yang longgar atau perhiasan. Jaga jarak antara rambut dan pakaian Anda dengan komponen mesin yang bergerak.** Pakaian yang longgar, perhiasan, atau rambut yang panjang dapat tersangkut pada komponen yang bergerak.
7. **Jika tersedia fasilitas untuk menghisap dan mengumpulkan debu, pastikan fasilitas tersebut terhubung listrik dan digunakan dengan baik.** Penggunaan pembersih debu dapat mengurangi bahaya yang terkait dengan debu.
8. **Jangan sampai Anda lengah dan mengabaikan prinsip keselamatan mesin ini hanya karena sudah sering mengoperasikannya dan sudah merasa terbiasa.** Tindakan yang lalai dapat menyebabkan cedera berat dalam sepersekian detik saja.
9. **Selalu kenakanacamata pelindung untuk melindungi mata dari cedera saat menggunakan mesin listrik. Kacamata harus sesuai dengan ANSI Z87.1 di Amerika Serikat, EN 166 di Eropa, atau AS/NZS 1336 di Australia/Selandia Baru. Di Australia/Selandia Baru, secara hukum Anda juga diwajibkan mengenakan pelindung wajah untuk melindungi wajah Anda.**



Menjadi tanggung jawab atasan untuk menerapkan penggunaan alat pelindung keselamatan yang tepat bagi operator mesin dan orang lain yang berada di area kerja saat itu.

Penggunaan dan pemeliharaan mesin listrik

1. **Jangan memaksa mesin listrik. Gunakan mesin listrik yang tepat untuk keperluan Anda.** Mesin listrik yang tepat akan menuntaskan pekerjaan dengan lebih baik dan aman pada kecepatan sesuai rancangannya.
2. **Jangan gunakan mesin listrik jika sakelar tidak dapat menyalakan dan mematikkannya.** Mesin listrik yang tidak dapat dikendalikan dengan sakelarnya adalah berbahaya dan harus diperbaiki.
3. **Cabut steker dari sumber listrik dan/atau lepas paket baterai, jika dapat dilepas, dari mesin listrik sebelum melakukan penyetelan apa pun, mengganti aksesoris, atau menyimpan mesin listrik.** Langkah keselamatan preventif tersebut mengurangi risiko hidupnya mesin secara tak sengaja.
4. **Simpan mesin listrik jauh dari jangkauan anak-anak dan jangan biarkan orang yang tidak paham mengenai mesin listrik tersebut atau petunjuk ini menggunakan mesin listrik.** Mesin listrik sangat berbahaya di tangan pengguna yang tak terlatih.
5. **Rawatlah mesin listrik dan aksesoris. Periksa apakah ada komponen bergerak yang tidak lurus atau macet, komponen yang pecah, dan kondisi-kondisi lain yang dapat memengaruhi pengoperasian mesin listrik. Jika rusak, perbaiki dahulu mesin listrik sebelum digunakan.** Banyak kecelakaan disebabkan oleh kurangnya pemeliharaan mesin listrik.
6. **Jaga agar mesin pemotong tetap tajam dan bersih.** Mesin pemotong yang terawat baik dengan mata pemotong yang tajam tidak mudah macet dan lebih mudah dikendalikan.
7. **Gunakan mesin listrik, aksesoris, dan mata mesin, dll. sesuai dengan petunjuk ini, dengan memperhitungkan kondisi kerja dan jenis pekerjaan yang dilakukan.** Penggunaan mesin listrik untuk penggunaan yang lain dari peruntukan dapat menimbulkan situasi berbahaya.
8. **Jagalah agar gagang dan permukaan pegangan tetap kering, bersih, dan bebas dari minyak dan pelumas.** Gagang dan permukaan pegangan yang licin tidak mendukung keamanan penanganan dan pengendalian mesin dalam situasi-situasi tak terduga.
9. **Ketika menggunakan mesin, jangan menggunakan sarung tangan kain yang dapat tersangkut.** Sarung tangan kain yang tersangkut pada komponen bergerak dapat mengakibatkan cedera pada pengguna.

Servis

1. **Berikan mesin listrik untuk diperbaiki hanya kepada oleh teknisi yang berkualifikasi dengan menggunakan hanya suku cadang pengganti yang serupa.** Hal ini akan menjamin terjaganya keamanan mesin listrik.
2. **Patuhi petunjuk pelumasan dan penggantian aksesoris.**

PERINGATAN KESELAMATAN MESIN AMPELAS

1. **Selalu gunakan kaca mata pengaman atau kaca mata pelindung. Kaca mata biasa atau kaca mata hitam BUKANLAH kaca mata pengaman.**
2. **Pegang mesin kuat-kuat.**
3. **Jangan tinggalkan mesin dalam keadaan hidup. Jalankan mesin hanya ketika digenggam tangan.**
4. **Mesin ini tidak tahan air, jadi jangan menggunakan air pada permukaan benda kerja.**
5. **Beri ruang udara secukupnya ketika Anda melakukan pekerjaan pengampelasan.**
6. **Bahan tertentu mengandung zat kimia yang mungkin beracun. Hindari menghirup debu dan persentuhan dengan kulit. Ikuti data keselamatan bahan dari pemasok.**
7. **Penggunaan mesin ini untuk mengampelas produk, cat dan kayu bisa menyebabkan pengguna menghirup debu yang mengandung zat-zat berbahaya. Gunakan alat pelindung pernafasan yang sesuai.**
8. **Pastikan bahwa tidak ada retakan atau kerusakan pada bantalan sebelum penggunaan. Retakan atau kerusakan bisa menyebabkan cedera.**

SIMPAN PETUNJUK INI.

⚠ PERINGATAN:

JANGAN biarkan kenyamanan atau terbiasanya Anda dengan produk (karena penggunaan berulang) menggantikan kepatuhan yang ketat terhadap aturan keselamatan untuk produk yang terkait.
PENYALAHGUNAAN atau kelalaian mematuhi kaidah keselamatan yang tertera dalam petunjuk ini dapat menyebabkan cedera badan serius.

DESKRIPSI FUNGSI

⚠ PERHATIAN:

- Pastikan bahwa mesin dalam keadaan mati dan steker tercabut sebelum menyetel atau memeriksa kerja mesin.

KERJA SAKLAR (Gb. 1)

⚠ PERHATIAN:

- Sebelum memasukkan steker, pastikan picu saklar berfungsi dengan baik dan kembali ke posisi "OFF" saat dilepas.
- Saklar bisa dikunci dalam posisi "ON" untuk memberi kenyamanan pada operator selama penggunaan terus-menerus. Selalu berhati-hati ketika mengunci mesin dalam posisi "ON" dan pegang mesin kuat-kuat.

Untuk menjalankan mesin, cukup tarik picu saklarnya. Lepaskan picu saklar untuk berhenti.

Untuk penggunaan terus-menerus, tarik picu saklar dan tekan tombol kunci kemudian lepas picu saklar.

Untuk membebaskan posisi terkunci, tarik picu saklar sampai penuh, lalu lepaskan.

Saklar penyetel kecepatan

Hanya untuk BO5041 (Gb. 2)

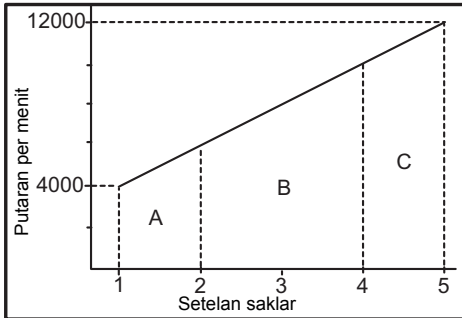
Kecepatan mesin bisa disetel tidak terbatas antara 4.000 dan 12.000 putaran per menit dengan memutar saklar penyetel. Kecepatan yang lebih tinggi diperoleh jika saklar diputar ke arah angka 5; kecepatan yang lebih rendah diperoleh jika diputar ke arah angka 1.

Silakan mengacu pada gambar untuk hubungan antara setelan angka pada saklar penyetel dan jenis pekerjaan.

Rentang A: Untuk memoles

Rentang B: Untuk pengampelasan akhir

Rentang C: Untuk pengampelasan biasa



003291

CATATAN:

- Gambar menunjukkan aplikasi yang standar. Hal tersebut dapat berbeda dalam kondisi tertentu.

PERAKITAN

⚠ PERHATIAN:

- Pastikan bahwa mesin dalam keadaan mati dan steker tercabut sebelum melakukan pekerjaan apapun pada mesin.

Cara menggunakan gagang depan (Gb. 3)

Gagang depan bisa dikendurkan dan digerakkan secara horizontal ke posisi kerja yang diinginkan. Setelah gagang depan berada pada posisi yang diinginkan, kencangkan ulang sebelum digunakan.

Memasang atau melepas gagang depan (Gb. 4)

Buka alas gagang, dan pasang pada mesin ampelas di area logo Makita. (Gb. 5)

Setelah menutup alas gagang, kencangkan gagang depan di bagian sekrup alas gagangnya.

Untuk melepasnya, kendurkan dan lepas gagang depan, dan kemudian lepas alas gagang. (Gb. 6)

Memasang atau melepas cakram abrasif (Gb. 7)

Untuk memasang cakram abrasif, pertama-tama lepas semua kotoran atau benda asing dari bantalan. Kemudian kupas kertas belakang dari cakram abrasif dan pasang cakram abrasif pada bantalan. Hati-hati saat menyelaraskan lubang pada cakram abrasif dengan yang ada pada bantalan.

⚠ PERHATIAN:

- Jika Anda mengupas cakram abrasif dari bantalan, daya lekatnya menjadi lemah. Jangan sekali-kali menempelkannya pada bantalan untuk digunakan lagi.

Memasang kantong debu (Gb. 8)

Pasang kantong debu pada mesin sehingga logo Makita pada kantong debu menghadap ke atas (bukan menghadap ke bawah).

Mengosongkan kantong debu

Ketika kantong debu sudah berisi kira-kira setengah penuh, matikan dan cabut steker mesin. Lepas kantong debu dari mesin. Kemudian lepas nosel debu dari kantong debu setelah membuka kunci nosel debu dengan sedikit memutarnya berlawanan arah jarum jam.

Kosongkan kantong debu dengan menepuknya perlahan. (Gb. 9)

Setelah mengosongkan kantong debu, pasang nosel debu pada kantong debu. Putar sedikit nosel debu searah jarum jam untuk mengunci pada tempatnya. Lalu pasang kantong debu pada mesin sebagaimana telah dijelaskan dalam "Memasang kantong debu". (Gb. 10)

Memasang kantong debu kertas

Posisikan kantong debu kertas pada pemegang kantong debu kertas dengan sisi depannya menghadap ke atas. Masukkan papan pemasang bagian depan dari kantong debu kertas ke dalam alur pemegang kantong debu kertas. (Gb. 11)

Lalu tekan bagian atas papan pemasang bagian depan sesuai arah panah untuk mengaitkannya pada penjepit. (Gb. 12)

Masukkan takik kantong debu kertas ke dalam pemandu pemegang kantong debu kertas. Lalu pasang set pemegang kantong debu kertas pada mesin. (Gb. 13 & Gb. 14)

Memasang kantong saringan kertas

Pastikan logo pada lidah papan dan logo pada kotak debu pada sisi yang sama, kemudian pasang kantong saringan kertas dengan menepatkan lidah papan pada alur di setiap tab penahan. (Gb. 15)

Pastikan logo pada lidah papan dan logo pada nosel debu pada sisi yang sama, kemudian pasang nosel debu pada kotak debu. (Gb. 16)

Melepas kotak debu dan kantong saringan kertas

Lepas nosel debu dengan menekan dua pengunci. (Gb. 17)

Lepas saringan mula-mula dengan menjepit sisi logo pada lidah papan, kemudian dengan menarik lidah papan ke bawah untuk melepasnya dari tab penahan kotak debu. (Gb. 18)

OPERATION

⚠ PERHATIAN:

- Selalu gunakan gagang depan dan pegang mesin kuat-kuat pada gagang depan dan pegangan saklar selama penggunaan.

Pekerjaan pengampelasan (Gb. 19)

⚠ PERHATIAN:

- Jangan sekali-kali menyalakan mesin tanpa cakram abrasif. Anda dapat merusak landasan dengan serius.
- Jangan sekali-kali menekan mesin. Tekanan yang berlebihan dapat menurunkan efisiensi pengampelasan, merusak cakram abrasif atau memperpendek usia pakai mesin.
- Menggunakan mesin dengan tepi bantalan menyentuh benda kerja, dapat merusak bantalan.

Pegang mesin kuat-kuat. Nyalakan mesin dan tunggu sampai mencapai kecepatan penuh. Kemudian sentuhkan mesin pada permukaan benda kerja dengan hati-hati.

Jaga agar bantalan tetap menyentuh benda kerja dan beri sedikit tekanan pada mesin.

⚠ PERHATIAN:

- Bantalan ampelas berputar searah jarum jam selama penggunaan dengan beban, namun dapat berputar berlawanan arah jarum jam selama penggunaan tanpa beban.

Pekerjaan pemolesan

Hanya untuk BO5041

⚠ PERHATIAN:

- Hanya gunakan bantalan spons, bantalan bulu kempa atau bantalan wol asli buatan Makita (pilihan aksesori).
- Selalu jalankan mesin pada kecepatan rendah untuk mencegah terjadinya pemanasan yang tidak normal pada permukaan kerja.
- Jangan sekali-kali menekan mesin. Tekanan yang berlebihan dapat menurunkan efisiensi pemolesan dan menyebabkan kelebihan beban pada motor, yang mengakibatkan kerusakan mesin.

1. Memberi bahan poles (Gb. 20)

Gunakan pilihan bantalan spons. Beri bahan poles pada bantalan spons atau permukaan kerja. Jalankan mesin pada kecepatan rendah untuk meratakan bahan poles.

CATATAN:

- Pertama-tama, jumlah bahan poles pada permukaan kerja tidak terlalu banyak untuk memastikan bahwa mesin tidak akan menggores permukaan atau mengakibatkan pemolesan tidak merata.
 - Selalu nyalakan mesin pada kecepatan rendah. Menjalankannya pada kecepatan tinggi dapat menyebabkan bahan poles berhamburan.
- #### 2. Membuang sisa-sisa bahan poles (Gb. 21)
- Gunakan pilihan bantalan bulu kempa. Jalankan mesin pada kecepatan rendah untuk membuang sisa-sisa bahan poles.
- #### 3. Memoles (Gb. 22)
- Gunakan pilihan bantalan wol. Jalankan mesin pada kecepatan rendah dan tempelkan bantalan wol pada permukaan kerja.

PERAWATAN

⚠ PERHATIAN:

- Selalu pastikan bahwa mesin dimatikan dan steker dicabut sebelum melakukan pemeriksaan atau perawatan.
- Jangan sekali-kali menggunakan bensin, tiner, alkohol, atau bahan sejenisnya. Penggunaan bahan demikian dapat menyebabkan perubahan warna, perubahan bentuk atau timbulnya retakan.

Untuk menjaga KEAMANAN dan KEANDALAN mesin, perbaikan, pemeriksaan dan penggantian sikat karbon, serta perawatan atau penyetelan lain harus dilakukan oleh Pusat Layanan Resmi Makita, selalu gunakan suku cadang pengganti buatan Makita.

PILIHAN AKSESORI

⚠ PERHATIAN:

- Dianjurkan untuk menggunakan aksesori atau perangkat tambahan ini dengan mesin Makita Anda yang ditentukan dalam petunjuk ini. Penggunaan aksesori atau perangkat tambahan lain bisa menyebabkan risiko cedera pada manusia. Hanya gunakan aksesori atau perangkat tambahan sesuai dengan peruntukannya.

Jika Anda memerlukan bantuan lebih rinci berkenaan dengan aksesori ini, tanyakan pada Pusat Layanan Makita terdekat.

- Cakram abrasif tipe pengait (dengan lubang yang tersedia)
- Bantalan spons tipe pengait
- Pemegang kantong debu kertas (Hanya untuk BO5041)
- Bantalan bulu kempa tipe pengait
- Bantalan wol tipe pengait
- Kantong debu kertas

CATATAN:

- Beberapa item dalam daftar tersebut mungkin sudah termasuk dalam paket mesin sebagai aksesori standar. Hal tersebut dapat berbeda dari satu negara ke negara lainnya.

TIẾNG VIỆT

Giải thích về hình vẽ tổng thể

1. Nút khóa
2. Cần khởi động công tắc
3. Đĩa điều chỉnh tốc độ
4. Ốc vít
5. Tay cầm trước
6. Đế tay cầm
7. Logo Makita
8. Túi chứa bụi
9. Vòi xả bụi
10. Rãnh
11. Bìa cứng cố định phía trước
12. Mặt trước túi chứa bụi bằng giấy
13. Bộ phận kẹp
14. Phần trên
15. Rãnh khóa
16. Cảnh dẫn
17. Chốt giữ
18. Hộp chứa bụi
19. Chốt gài
20. Tấm bọt biển
21. Tấm ni
22. Tấm len dạng mũ

THÔNG SỐ KỸ THUẬT

Kiểu	BO5040	BO5041
Khổ giấy	125 mm	125 mm
Số vòng xoay mỗi phút (min ⁻¹)	12.000	4.000 - 12.000
Kích thước (Dài x Rộng x Cao)	218 mm x 123 mm x 153 mm	218 mm x 123 mm x 153 mm
Khối lượng tịnh	1,4 kg	1,4 kg
Cấp độ an toàn	□/II	□/II

- Do chương trình nghiên cứu và phát triển liên tục của chúng tôi nên các thông số kỹ thuật trong đây có thể thay đổi mà không cần thông báo trước.
- Các thông số kỹ thuật có thể thay đổi tùy theo từng quốc gia.
- Khối lượng tùy theo Quy trình EPTA tháng 01/2014

END201-7

ENF002-2

Ký hiệu

Phần dưới đây cho biết các ký hiệu được dùng cho thiết bị. Đảm bảo rằng bạn hiểu rõ ý nghĩa của các ký hiệu này trước khi sử dụng.



..... Đọc tài liệu hướng dẫn.



..... CÁCH ĐIỆN CẤP 2



..... Chỉ dành cho các quốc gia EU
Không thải bỏ thiết bị điện hoặc bộ pin cùng với các chất thải sinh hoạt!
Để tuân thủ Chỉ thị của Châu Âu về thiết bị điện và điện tử thải bỏ, và thi hành những chỉ thị này phù hợp với luật lệ quốc gia, thiết bị điện tử không còn sử dụng được nữa phải được thu nhặt riêng và đưa trở lại một cơ sở tái chế tương thích với môi trường.

ENE052-1

Mục đích sử dụng

Dụng cụ này được dùng để đánh bóng bề mặt lớn bằng các loại vật liệu gỗ, nhựa và kim loại cũng như các bề mặt đã sơn sơn phủ.

Nguồn cấp điện

Dụng cụ này chỉ được nối với nguồn cấp điện có điện áp giống như đã chỉ ra trên biển tên và chỉ có thể được vận hành trên nguồn điện AC một pha. Chúng được cách điện hai lớp và do đó cũng có thể được sử dụng từ các ổ cắm điện không có dây tiếp đất.

GEA012-2

Cảnh báo an toàn chung dành cho dụng cụ máy

⚠ CẢNH BÁO: Xin đọc tất cả các cảnh báo an toàn, hướng dẫn, minh họa và thông số kỹ thuật đi kèm với dụng cụ máy này. Việc không tuân theo các hướng dẫn được liệt kê dưới đây có thể dẫn đến điện giật, hỏa hoạn và/hoặc thương tích nghiêm trọng.

Lưu giữ tất cả cảnh báo và hướng dẫn để tham khảo sau này

Thuật ngữ “dụng cụ máy” trong các cảnh báo đề cập đến dụng cụ máy (có dây) được vận hành bằng nguồn điện chính hoặc dụng cụ máy (không dây) được vận hành bằng pin của bạn.

An toàn tại nơi làm việc

1. **Giữ nơi làm việc sạch sẽ và có đủ ánh sáng.**
Nơi làm việc bừa bộn hoặc tối thường dễ gây ra tai nạn.
2. **Không vận hành dụng cụ máy trong môi trường cháy nổ, ví dụ như môi trường có sự hiện diện của các chất lỏng, khí hoặc bụi dễ cháy.** Các dụng cụ máy tạo tia lửa điện có thể làm bụi hoặc khí bốc cháy.

- Giữ trẻ em và người ngoài tránh xa nơi làm việc khi đang vận hành dụng cụ máy. Sự xao lãng có thể khiến bạn mất khả năng kiểm soát.

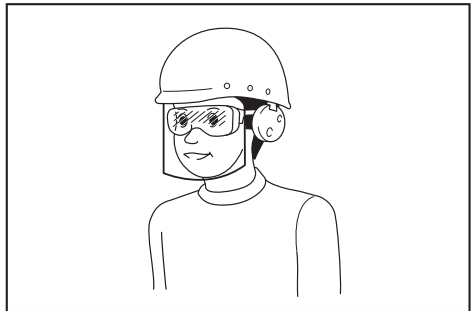
An toàn về Điện

- Phích cắm của dụng cụ máy phải khớp với ổ cắm. Không được sửa đổi phích cắm theo bất kỳ cách nào. Không sử dụng bất kỳ phích chuyển đổi nào với các dụng cụ máy được nối đất (tiếp đất). Các phích cắm còn nguyên vẹn và ổ cắm phù hợp sẽ giảm nguy cơ điện giật.
- Tránh để cơ thể tiếp xúc với các bề mặt nóng đất hoặc tiếp đất như đường ống, bộ tản nhiệt, bếp ga và tủ lạnh. Nguy cơ bị điện giật sẽ tăng lên nếu cơ thể bạn được nối đất hoặc tiếp đất.
- Không để dụng cụ máy tiếp xúc với mưa hoặc trong điều kiện ẩm ướt. Nước lọt vào dụng cụ máy sẽ làm tăng nguy cơ điện giật.
- Không lạm dụng dây điện. Không được phép sử dụng dây để mang, kéo hoặc tháo phích cắm dụng cụ máy. Giữ dây tránh xa nguồn nhiệt, dầu, các mép sắc hoặc các bộ phận chuyển động. Dây bị hỏng hoặc bị rối sẽ làm tăng nguy cơ điện giật.
- Khi vận hành dụng cụ máy ngoài trời, hãy sử dụng dây kéo dài phù hợp cho việc sử dụng ngoài trời. Việc dùng dây phù hợp cho việc sử dụng ngoài trời sẽ giảm nguy cơ điện giật.
- Nếu bắt buộc phải vận hành dụng cụ máy ở nơi ẩm ướt, hãy sử dụng nguồn cấp điện được bảo vệ bằng thiết bị ngắt dòng điện rò (RCD). Việc sử dụng RCD sẽ làm giảm nguy cơ điện giật.
- Chúng tôi luôn khuyến bạn sử dụng nguồn cấp điện qua thiết bị RCD có thể ngắt dòng điện rò định mức 30 mA hoặc thấp hơn.
- Các dụng cụ máy có thể tạo ra từ trường điện (EMF) có hại cho người dùng. Tuy nhiên, người dùng máy trợ tim và những thiết bị y tế tương tự khác nên liên hệ với nhà sản xuất thiết bị và/hoặc bác sỹ để được tư vấn trước khi vận hành dụng cụ này.
- Không chạm vào đầu cắm điện bằng tay ướt.
- Nếu dây bị hỏng, hãy nhờ nhà sản xuất hoặc đại lý thay dây mới để tránh nguy hiểm về an toàn.

An toàn Cá nhân

- Luôn tỉnh táo, quan sát những việc bạn đang làm và sử dụng những phán đoán theo kinh nghiệm khi vận hành dụng cụ máy. Không sử dụng dụng cụ máy khi bạn đang mệt mỏi hoặc chịu ảnh hưởng của ma túy, rượu hay thuốc. Chỉ một khoảnh khắc không tập trung khi đang vận hành dụng cụ máy cũng có thể dẫn đến thương tích cá nhân nghiêm trọng.
- Sử dụng thiết bị bảo hộ cá nhân. Luôn đeo thiết bị bảo vệ mắt. Các thiết bị bảo hộ như mặt nạ chống bụi, giày an toàn chống trượt, mũ bảo hộ hay thiết bị bảo vệ thính giác được sử dụng trong các điều kiện thích hợp sẽ giúp giảm thương tích cá nhân.
- Tránh vô tình khởi động dụng cụ máy. Đảm bảo công tắc ở vị trí off (tắt) trước khi nối nguồn điện và/hoặc bộ pin, cắm hoặc di chuyển dụng cụ máy. Việc di chuyển dụng cụ máy khi đang đặt ngón tay ở vị trí công tắc hoặc cấp điện cho dụng cụ máy đang bật thường dễ gây ra tai nạn.

- Tháo tất cả các khóa hoặc cờ lê điều chỉnh trước khi bật dụng cụ máy. Việc cờ lê hoặc khóa vẫn còn gắn vào bộ phận quay của dụng cụ máy có thể dẫn đến thương tích cá nhân.
- Không với quá cao. Luôn giữ thăng bằng tốt và có chỗ để chân phù hợp. Điều này cho phép điều khiển dụng cụ máy tốt hơn trong những tình huống bất ngờ.
- Đeo mặt phù hợp. Không mặc quần áo rộng hay đeo đồ trang sức. Giữ tóc và quần áo tránh xa các bộ phận chuyển động. Quần áo rộng, đồ trang sức hay tóc dài có thể mắc vào các bộ phận chuyển động.
- Nếu cần thiết bị được cung cấp để kết nối các thiết bị thu gom và hút bụi, hãy đảm bảo chúng được kết nối và sử dụng hợp lý. Việc sử dụng thiết bị thu gom bụi có thể làm giảm những mối nguy hiểm liên quan đến bụi.
- Không vì quen thuộc do thường xuyên sử dụng các dụng cụ mà cho phép bạn trở nên tự mãn và bỏ qua các nguyên tắc an toàn dụng cụ. Một hành động bất cẩn có thể gây ra thương tích nghiêm trọng trong một phần của một giây.
- Luôn luôn mang kính bảo hộ để bảo vệ mắt khỏi bị thương khi đang sử dụng các dụng cụ máy. Kính bảo hộ phải tuân thủ ANSI Z87.1 ở Mỹ, EN 166 ở Châu Âu, hoặc AS/NZS 1336 ở Úc/New Zealand. Tại Úc/New Zealand, theo luật pháp, bạn cũng phải mang mặt nạ che mặt để bảo vệ mặt.



Trách nhiệm của chủ lao động là bắt buộc người vận hành dụng cụ và những người khác trong khu vực làm việc cạnh đó phải sử dụng các thiết bị bảo hộ an toàn thích hợp.

Sử dụng và bảo quản dụng cụ máy

- Không dùng lực đối với dụng cụ máy. Sử dụng đúng dụng cụ máy cho công việc của bạn. Sử dụng đúng dụng cụ máy sẽ giúp thực hiện công việc tốt hơn và an toàn hơn theo giá trị định mức được thiết kế của dụng cụ máy đó.
- Không sử dụng dụng cụ máy nếu công tắc không bật và tắt được dụng cụ máy đó. Mọi dụng cụ máy không thể điều khiển được bằng công tắc đều rất nguy hiểm và phải được sửa chữa.
- Rút phích cắm ra khỏi nguồn điện và/hoặc tháo kết nối bộ pin khỏi dụng cụ máy, nếu có thể tháo rời trước khi thực hiện bất kỳ công việc điều chỉnh, thay đổi phụ tùng hay cất giữ dụng cụ máy nào. Những biện pháp an toàn phòng ngừa này sẽ giảm nguy cơ vô tình khởi động dụng cụ máy.

- Cắt giữ các dụng cụ máy không sử dụng ngoài tầm với của trẻ em và không cho bất kỳ người nào không có hiểu biết về dụng cụ máy hoặc các hướng dẫn này vận hành dụng cụ máy.
Dụng cụ máy sẽ rất nguy hiểm nếu được sử dụng bởi những người dùng chưa qua đào tạo.
- Bảo dưỡng dụng cụ máy và các phụ kiện. Kiểm tra tình trạng lệch trục hoặc bó kẹt của các bộ phận chuyển động, hiện tượng nứt vỡ của các bộ phận và mọi tình trạng khác mà có thể ảnh hưởng đến hoạt động của dụng cụ máy. Nếu có hỏng hóc, hãy sửa chữa dụng cụ máy trước khi sử dụng. Nhiều tai nạn xảy ra là do không bảo quản tốt dụng cụ máy.
- Luôn giữ cho dụng cụ cắt được sắc bén và sạch sẽ. Những dụng cụ cắt được bảo quản tốt có mép cắt sắc sẽ ít bị kẹt hơn và dễ điều khiển hơn.
- Sử dụng dụng cụ máy, phụ tùng và đầu dụng cụ cắt, v.v., theo các hướng dẫn này, có tính đến điều kiện làm việc và công việc được thực hiện. Việc sử dụng dụng cụ máy cho các công việc khác với công việc dự định có thể gây nguy hiểm.
- Giữ tay cầm và bề mặt tay cầm khô, sạch, không dính dầu và mỡ. Tay cầm trơn trượt và bề mặt tay cầm không cho phép xử lý an toàn và kiểm soát dụng cụ trong các tình huống bất ngờ.
- Khi sử dụng dụng cụ, không được đi giày tay lao động bằng vải, có thể bị vướng. Việc giày tay lao động bằng vải vướng vào các bộ phận chuyển động có thể gây ra thương tích cá nhân.

Bảo dưỡng

- Đề nghị viên sửa chữa đủ trình độ bảo dưỡng dụng cụ máy của bạn và chỉ sử dụng các bộ phận thay thế đồng nhất. Việc này sẽ đảm bảo duy trì được độ an toàn của dụng cụ máy.
- Tuân theo hướng dẫn dành cho việc bôi trơn và thay phụ tùng.

GEB021-4

CẢNH BÁO AN TOÀN ĐỐI VỚI MÁY ĐÁNH NHĂM

- Luôn sử dụng găng tay hoặc kính bảo hộ. Mắt thường hoặc kính râm KHÔNG phải là loại kính an toàn.
- Cầm chắc dụng cụ.
- Không để mặt dụng cụ hoạt động. Chỉ vận hành dụng cụ khi cầm trên tay.
- Dụng cụ này không được chống thấm, do đó không được dùng nước cho bề mặt gia công.
- Cần thông thoáng phù hợp cho khu vực làm việc khi bạn thực hiện thao tác đánh nhám.
- Một số vật liệu có chứa các hóa chất có thể rất độc hại. Phải cẩn trọng tránh hít phải bụi và tiếp xúc với da. Tuân theo các thông tin về an toàn của nhà cung cấp đối với mỗi loại vật liệu.
- Sử dụng dụng cụ này để đánh nhám một số sản phẩm, sơn và gỗ có thể làm người dùng tiếp xúc với bụi có chứa các chất nguy hiểm. Sử dụng biện pháp bảo vệ đường hô hấp phù hợp.
- Đảm bảo rằng tấm đệm không bị nứt hoặc bể trước khi sử dụng. Các vết nứt hoặc bể có thể gây thương tích cho người.

LƯU GIỮ CÁC HƯỚNG DẪN NÀY.

⚠ CẢNH BÁO:

KHÔNG được để sự thoải mái hay quen thuộc với sản phẩm (có được do sử dụng nhiều lần) thay thế việc tuân thủ nghiêm ngặt các quy định về an toàn dành cho sản phẩm này. **VIỆC DÙNG SAI** hoặc không tuân theo các quy định về an toàn được nêu trong tài liệu hướng dẫn này có thể dẫn đến thương tích cá nhân nghiêm trọng.

MÔ TẢ CHỨC NĂNG

⚠ CẢNH TRỌNG:

- Phải luôn đảm bảo rằng dụng cụ đã được tắt điện và ngắt kết nối trước khi chỉnh sửa hoặc kiểm tra chức năng của dụng cụ.

Hoạt động công tắc (Hình 1)

⚠ CẢNH TRỌNG:

- Trước khi cắm điện vào dụng cụ, luôn luôn kiểm tra xem cần khởi động công tắc có hoạt động bình thường hay không và trả về vị trí "OFF" (TẮT) khi nhả ra.
- Công tắc có thể khóa ở vị trí "OFF" (TẮT) để người vận hành dễ dàng thuận tiện trong quá trình sử dụng kéo dài. Cần hết sức cẩn trọng khi khóa dụng cụ ở vị trí "ON" (BẬT) và phải luôn giữ chặt dụng cụ.

Để khởi động dụng cụ, chỉ cần nhẹ nhàng khởi động công tắc. Nhả cần khởi động công tắc ra để dừng.

Để tiếp tục vận hành, hãy kéo cần khởi động công tắc, nhấn vào nút khóa và sau đó nhả cần khởi động công tắc. Để dừng dụng cụ từ vị trí đã khóa, hãy kéo cần khởi động công tắc hết mức, sau đó nhả ra.

Điều chỉnh tốc độ

Chỉ dành cho kiểu máy BO5041 (Hình 2)

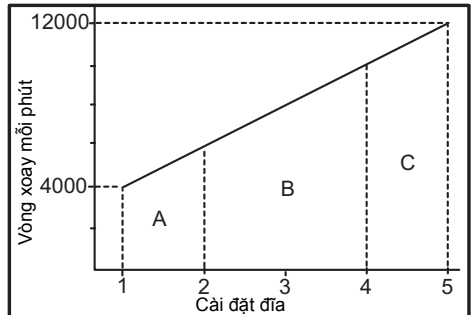
Tốc độ dụng cụ có thể được điều chỉnh không giới hạn từ 4.000 đến 12.000 vòng xoay mỗi phút bằng cách xoay đĩa điều chỉnh. Có thể đạt tốc độ cao hơn khi xoay đĩa này về hướng số 5; đưa về tốc độ thấp hơn khi xoay đĩa về hướng số 1.

Tham khảo số liệu về mối liên quan giữa cài đặt theo số trên đĩa điều chỉnh và loại công việc thực hiện.

Phạm vi A: Để đánh bóng

Phạm vi B: Để chà nhám hoàn thiện bằng cát

Phạm vi C: Để chà nhám bằng cát thông thường



003291

LƯU Ý:

- Hình vẽ thể hiện các công việc áp dụng thông thường. Chúng có thể khác nhau dưới những điều kiện nhất định.

LẮP RÁP

⚠ CẢN TRỌNG:

- Luôn luôn đảm bảo rằng dụng cụ đã được tắt và tháo phích cắm trước khi dùng dụng cụ thực hiện bất cứ công việc nào.

Cách sử dụng tay cầm trước (Hình 3)

Tay cầm trước có thể được vặn lỏng ra và di chuyển theo phương ngang đến vị trí làm việc thích hợp. Một khi tay cầm trước đã vào vị trí mong muốn, hãy vặn chặt lại trước khi sử dụng.

Lắp hoặc tháo tay cầm trước (Hình 4)

Mở đế tay cầm, rồi gắn nó vào máy chà nhám ngay chỗ có logo Makita. (Hình 5)
Sau khi đóng đế tay cầm, vặn chặt tay cầm trước đến mặt cắt có ốc vặn của đế tay cầm.
Để tháo ra, hãy vặn lỏng và tháo tay cầm trước, sau đó tháo đế tay cầm. (Hình 6)

Lắp hoặc tháo đĩa nhám (Hình 7)

Để lắp đĩa nhám, trước tiên loại bỏ mọi vết bẩn hoặc ngoại vật từ khỏi tấm đặt. Sau đó lật giấy lót của đĩa nhám và gắn đĩa nhám vào tấm đặt. Cần thận để căn chỉnh các lỗ trong đĩa nhám theo các lỗ trên tấm đặt.

⚠ CẢN TRỌNG:

- Bạn cần phải gỡ đĩa nhám ra khỏi tấm đặt, lớp dính của nó sẽ trở nên kém hơn. Không bao giờ được gắn nó lên trên tấm đặt để sử dụng tiếp.

Lắp túi chứa bụi (Hình 8)

Lắp túi chứa bụi lên dụng cụ sao cho logo Makita trên túi chứa bụi sẽ thẳng đứng (không bị ngược xuống).

Đổ túi chứa bụi

Khi túi chứa bụi đã đầy khoảng một nửa, hãy tắt và tháo phích cắm dụng cụ. Tháo túi chứa bụi ra khỏi dụng cụ. Sau đó tháo vòi xả bụi khỏi túi chứa bụi sau khi đã mở chốt gai vòi xả bụi bằng cách xoay nhẹ nó ngược chiều kim đồng hồ. Đổ túi chứa bụi bằng cách đập nhẹ nó. (Hình 9)
Sau khi đổ túi chứa bụi, lắp lại vòi xả bụi vào túi chứa bụi. Xoay vòi xả bụi nhẹ nhàng theo chiều kim đồng hồ đến khi nó khóa vào đúng vị trí. Sau đó lắp túi chứa bụi lên dụng cụ như được mô tả trong phần "Lắp túi chứa bụi". (Hình 10)

Lắp túi chứa bụi bằng giấy

Đặt túi chứa bụi bằng giấy vào khung đỡ túi chứa bụi với mặt trước hướng lên trên. Chèn tấm bìa cứng cố định mặt trước của túi chứa bụi bằng giấy vào trong rãnh của khung đỡ túi chứa bụi. (Hình 11)

Sau đó ấn phần phía trên của tấm bìa cố định phía trước theo chiều mũi tên để móc nó vào trong bộ phận kẹp. (Hình 12)

Chèn rãnh khóa của túi chứa bụi bằng giấy vào trong cạnh dẫn của khung đỡ túi chứa bụi. Sau đó lắp bộ khung đỡ túi chứa bụi lên dụng cụ. (Hình 13 & Hình 14)

Lắp túi lọc bằng giấy

Đảm bảo rằng logo trên mép gai tấm bìa và logo trên hộp chứa bụi nằm cùng chiều với nhau, sau đó lắp đặt túi lọc giấy bằng cách lắp mép gai tấm bìa vào rãnh của mỗi chốt giữ. (Hình 15)

Đảm bảo rằng logo trên mép gai của tấm bìa và logo trên vòi xả bụi lại cùng chiều với nhau, sau đó lắp đặt vòi xả bụi vào hộp chứa bụi. (Hình 16)

Tháo hộp chứa bụi và túi lọc bằng giấy

Tháo vòi phun bụi bằng cách nhấn vào hai chốt gai. (Hình 17)

Tháo túi lọc bằng giấy trước tiên bằng cách ấn vào mặt có logo của mép gai tấm bìa, sau đó kéo mép gai tấm bìa xuống dưới để đẩy nó ra khỏi chốt giữ của hộp chứa bụi. (Hình 18)

VẬN HÀNH

⚠ CẢN TRỌNG:

- Luôn sử dụng tay cầm bên trước và giữ chặt dụng cụ bằng tay cầm trước cũng như đối tay cầm trong lúc vận hành.

Thao tác đánh nhám (Hình 19)

⚠ CẢN TRỌNG:

- Không bao giờ được vận hành dụng cụ mà không có đĩa nhám. Bạn có thể gây hư hỏng tấm đặt nghiêm trọng.
- Không bao giờ nhấn mạnh dụng cụ. Nhấn quá mạnh có thể làm giảm hiệu quả đánh nhám, làm hỏng đĩa nhám hoặc làm giảm tuổi thọ dụng cụ.
- Dùng dụng cụ với mép tấm đặt tiếp xúc với vật gia công có thể làm hư hỏng tấm đặt.

Cầm chắc dụng cụ. Bật dụng cụ lên và chờ đến khi đạt tốc độ tối đa. Sau đó nhẹ nhàng đặt dụng cụ lên bề mặt gia công. Giữ cho tấm đặt ngang bằng với vật gia công và ấn nhẹ lên dụng cụ.

⚠ CẢN TRỌNG:

- Tám đánh nhám sẽ xoay theo chiều kim đồng hồ khi vận hành có tải, nhưng nó có thể xoay ngược chiều kim đồng hồ khi vận hành không tải.

Thao tác đánh bóng

Chi dành cho kiểu BO5041

⚠ CẢN TRỌNG:

- Chỉ sử dụng tấm bọt biển, tấm nilon hoặc tấm len dạng mũ chính hiệu Makita (phụ kiện tùy chọn).
- Luôn vận hành thiết bị ở tốc độ thấp để phòng ngừa các bề mặt công tác bị nóng bất thường.
- Không bao giờ nhấn mạnh dụng cụ. Dùng quá nhiều lực có thể làm giảm hiệu quả đánh bóng và làm motor quá tải, dẫn đến hư hỏng dụng cụ.

1. Đánh sấp bóng (Hình 20)

Sử dụng một tấm bọt biển tùy chọn. Bôi sấp lên tấm bọt biển hoặc bề mặt công tác. Vận hành dụng cụ ở tốc độ thấp để đánh phẳng sấp ra.

LƯU Ý:

- Đầu tiên, sáp không được che lấp bề mặt công tác để đảm bảo rằng dụng cụ sẽ không làm trầy xước bề mặt hoặc đánh sáp không đều.
 - Luôn vận hành dụng cụ ở tốc độ thấp. Vận hành dụng cụ ở tốc độ cao có thể làm cho sáp bị văng ra ngoài.
2. **Gỡ bỏ sáp bóng (Hình 21)**
Sử dụng một tấm nilon tùy chọn. Vận hành dụng cụ ở tốc độ thấp để gỡ bỏ lớp.
3. **Đánh bóng (Hình 22)**
Sử dụng một tấm len dạng mũ tùy chọn. Vận hành dụng cụ ở tốc độ thấp và đặt tấm len dạng mũ nhẹ nhàng lên bề mặt dụng cụ.

BẢO TRÌ

⚠ CẢN TRỌNG:

- Hãy luôn chắc chắn rằng dụng cụ đã được tắt và ngắt kết nối trước khi cố gắng thực hiện việc kiểm tra hay bảo dưỡng.
- Không bao giờ dùng xăng, ét xăng, dung môi, cồn hoặc hóa chất tương tự. Có thể xảy ra hiện tượng mất màu, biến dạng hoặc nứt vỡ.

Để đảm bảo AN TOÀN và TIN CẬY của sản phẩm, việc sửa chữa hoặc bất cứ thao tác bảo trì, điều chỉnh nào đều phải được thực hiện bởi các Trung tâm Dịch vụ Được Ủy quyền của Makita (Makita Authorized Service Center), luôn sử dụng các phụ tùng thiết bị thay thế của Makita.

PHỤ KIỆN TÙY CHỌN

⚠ CẢN TRỌNG:

- Các phụ kiện hoặc phụ tùng gắn thêm này được khuyến cáo sử dụng với dụng cụ Makita của bạn theo như quy định trong hướng dẫn này. Việc sử dụng bất cứ phụ kiện hoặc phụ tùng gắn thêm nào khác đều có thể gây ra rủi ro thương tích cho người. Chỉ sử dụng phụ kiện hoặc phụ tùng gắn thêm cho mục đích đã quy định sẵn của chúng.

Nếu bạn cần hỗ trợ để biết thêm chi tiết về những phụ kiện này, hãy liên hệ với Trung tâm Dịch vụ của Makita tại địa phương của bạn.

- Các đĩa nhám kiểu hook-and-look (có lỗ đục sẵn)
- Tấm bọt biển kiểu đục lỗ sẵn (Hook-and-look)
- Khung đỡ túi chứa bụi bằng giấy
(Chỉ dành cho kiểu BO5041)
- Tấm nilon kiểu đục lỗ sẵn (Hook-and-look)
- Tấm len dạng mũ kiểu đục lỗ sẵn (Hook-and-look)
- Túi chứa bụi



LƯU Ý:

- Một vài mục trong danh sách có thể được bao gồm trong gói dụng cụ làm phụ kiện tiêu chuẩn. Các thông số kỹ thuật có thể thay đổi tùy theo từng quốc gia.

คำอธิบายของมุมมองทั่วไป

- | | | |
|---------------------|---------------------------------|---------------------|
| 1. ปุ่มลีด | 9. ท่อดักฝุ่น | 17. แถบยึด |
| 2. สวิตช์สั่งงาน | 10. ร่อง | 18. กล่องเก็บฝุ่น |
| 3. แป้นปรับความเร็ว | 11. แผ่นยึดด้านหน้า | 19. ตัวลีด |
| 4. สกรู | 12. ด้านหน้าของถุงกระดาษดักฝุ่น | 20. แผ่นฟองน้ำ |
| 5. ด้ามจับด้านหน้า | 13. หัวยึด | 21. แผ่นลึกลงหลาย |
| 6. ฐานด้ามจับ | 14. ส่วนบน | 22. แผ่นครอบขนสัตว์ |
| 7. โลโก้ Makita | 15. หยัก | |
| 8. ถุงดักฝุ่น | 16. ตัวนำ | |

ข้อมูลจำเพาะ

รุ่น	BO5040	BO5041
ขนาดกระดาษ	125 มม.	125 มม.
อัตราการขีด (รอบต่อนาที)	12,000	4,000 - 12,000
ขนาด (ยาว x กว้าง x สูง)	218 มม. x 123 มม. x 153 มม.	218 มม. x 123 มม. x 153 มม.
น้ำหนักสุทธิ	1.4 กก.	1.4 กก.
มาตรฐานความปลอดภัย	 /II	 /II



- เนื่องจากการค้นคว้าวิจัยและพัฒนาอย่างต่อเนื่อง ข้อมูลจำเพาะในเอกสารฉบับนี้อาจเปลี่ยนแปลงได้โดยไม่ต้องแจ้งให้ทราบล่วงหน้า
- ข้อมูลจำเพาะอาจแตกต่างกันไปในแต่ละประเทศ
- น้ำหนักตามข้อบังคับของ EPTA 01/2014


END201-7


ENE052-1

สัญลักษณ์

ต่อไปนี้เป็นสัญลักษณ์ที่ใช้สำหรับอุปกรณ์
โปรดศึกษาความหมายของสัญลักษณ์ให้เข้าใจก่อนการใช้งาน

 อ่านคู่มือการใช้งาน

 ผนวบนสองชั้น

 สำหรับประเทศในสหภาพยุโรปเท่านั้นห้ามทั้ง
อุปกรณ์ไฟฟ้าหรือชุดแบตเตอรี่รวมกับขยะครัว
เรือนทั่วไป!
เพื่อให้เป็นไปตามกฎระเบียบของยุโรปเกี่ยวกับข
ยะจำพวกอุปกรณ์ไฟฟ้าและอิเล็กทรอนิกส์
และการปฏิบัติตามกฎหมายในประเทศ ต้องเก็บ
อุปกรณ์ไฟฟ้าทั้งหมดอายุการใช้งานแล้วแยกต่าง
หาก และส่งกลับไปยังศูนย์รีไซเคิลที่เป็นมิตรต่อ
สิ่งแวดล้อม

จุดประสงค์ของเครื่องมือ

เครื่องมือนี้ใช้สำหรับขีดผิวหน้าวัสดุไม้ พลาสติกและโลหะ ตลอดจน
พื้นผิวที่ทำสี

ENF002-2

แหล่งจ่ายไฟ

ควรเชื่อมต่อเครื่องมือกับแหล่งจ่ายไฟที่มีแรงดันไฟฟ้าตามที่ระบุไว้
ในป้ายข้อมูลของเครื่องมือ และจะต้องใช้ไฟฟ้ากระแสสลับแบบเฟส
เดียวเท่านั้น อุปกรณ์นี้ได้รับการหุ้มผนวบนสองชั้นและสามารถช้กับ
ปลั๊กไฟที่ไม่มีสายดินได้

GEA012-2

**คำเตือนด้านความปลอดภัยของเครื่องมือ
ไฟฟ้าทั่วไป**

⚠ คำเตือน: โปรดอ่านคำเตือนด้านความปลอดภัย คำแนะนำ
ภาพประกอบ และข้อมูลจำเพาะต่างๆ ที่ให้มากับเครื่องมือไฟฟ้านี้
อย่างละเอียด การไม่ปฏิบัติตามคำแนะนำดังต่อไปนี้ อาจส่งผลให้
เกิดไฟฟ้าช็อต ไฟไหม้ และ/หรือได้รับบาดเจ็บอย่างร้ายแรงได้

เก็บรักษาค่าเตือนและคำแนะนำทั้งหมดไว้ เป็นข้อมูลอ้างอิงในอนาคต

คำว่า “เครื่องมือไฟฟ้า” ในคำเตือนนี้หมายถึงเครื่องมือไฟฟ้า (มีสาย) ที่ทำงานโดยใช้กระแสไฟฟ้าหรือเครื่องมือไฟฟ้า (ไร้สาย) ที่ทำงานโดยใช้แบตเตอรี่

ความปลอดภัยของพื้นที่ทำงาน

1. ดูแลพื้นที่ทำงานให้มีความสะอาดและมีแสงไฟสว่าง พื้นที่ที่กระเบื้องกระเบื้องหรือมัตที่บอบนำไปสู่การเกิดอุบัติเหตุได้
2. อย่าใช้งานเครื่องมือไฟฟ้าในสภาพที่อาจเกิดการระเบิด เช่น ในสถานที่ที่มีของเหลว ก๊าซ หรือฝุ่นผงที่มีคุณสมบัติไวไฟ เครื่องมือไฟฟ้าอาจสร้างประกายไฟและจุดชนวนฝุ่นผงหรือก๊าซดังกล่าว
3. ดูแลไม่ให้มีเด็ก หรือบุคคลอื่นอยู่ในบริเวณที่กำลังใช้เครื่องมือไฟฟ้า การมีสิ่งรบกวนสมาธิอาจทำให้คุณสูญเสียการควบคุม

ความปลอดภัยด้านไฟฟ้า

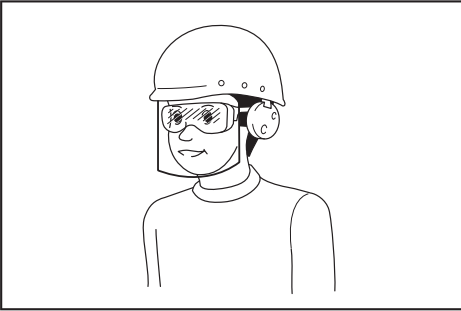
1. ปลั๊กของเครื่องมือไฟฟ้าต้องพอดีกับตัวรับ อย่าดัดแปลงปลั๊กไม่ว่ากรณีใดๆ อย่าใช้ปลั๊กอะแดปเตอร์กับเครื่องมือไฟฟ้าที่ต่อสายดิน ปลั๊กที่ไม่ถูกต้องและเต้ารับที่เข้ากันพอดีจะช่วยลดความเสี่ยงของการเกิดไฟฟ้าช็อต
2. ระวังอย่าให้ร่างกายสัมผัสกับพื้นผิวที่ต่อสายดิน เช่น ท่อ เครื่องนำความร้อน เตาหุงต้ม และตู้เย็น มีความเสี่ยงที่จะเกิดไฟฟ้าช็อตสูงขึ้น หากร่างกายของคุณสัมผัสกับพื้น
3. อย่าให้เครื่องมือไฟฟ้าถูกน้ำหรืออยู่ในสภาพเปียกชื้น น้ำที่ไหลเข้าไปในเครื่องมือไฟฟ้าจะเพิ่มความเสี่ยงของการเกิดไฟฟ้าช็อต
4. อย่าใช้สายไฟอย่างไม่เหมาะสม อย่าใช้สายไฟเพียงอก ดึง หรือถอดปลั๊กเครื่องมือไฟฟ้า เก็บสายไฟให้ห่างจากความร้อน น้ำมัน ของมีคม หรือชิ้นส่วนที่เคลื่อนที่ สายที่ชำรุดหรือพันกันจะเพิ่มความเสี่ยงของการเกิดไฟฟ้าช็อต
5. ขณะที่ใช้งานเครื่องมือไฟฟ้านอกอาคาร ควรใช้สายที่พ่วงที่เหมาะสมกับภายนอกอาคาร การใช้สายที่เหมาะสมกับภายนอกอาคารจะลดความเสี่ยงของการเกิดไฟฟ้าช็อต
6. หากต้องใช้งานเครื่องมือไฟฟ้าในสถานที่เปียกชื้น ให้ใช้อุปกรณ์ป้องกันกระแสไฟรั่ว (RCD) การใช้ RCD จะลดความเสี่ยงของการเกิดไฟฟ้าช็อต
7. แนะนำให้ใช้แหล่งจ่ายไฟผ่าน RCD ที่มีกระแสไฟรั่วในอัตราไม่เกิน 30 mA เสมอ
8. เครื่องมือไฟฟ้าอาจสร้างสนามแม่เหล็ก (EMF) ที่ไม่เป็นอันตรายต่อผู้ใช้ อย่างไรก็ตาม ผู้ใช้ที่ใส่เครื่องกระตุ้นหัวใจและอุปกรณ์ทางการแพทย์ที่คล้ายกันนี้ควรติดต่อผู้ผลิตอุปกรณ์และ/หรือแพทย์เพื่อรับคำแนะนำก่อนใช้งานเครื่องมือไฟฟ้านี้

9. อย่าจับปลั๊กไฟด้วยมือที่เปียก
10. หากสายไฟชำรุด โปรดให้ผู้ผลิตหรือตัวแทนของผู้ผลิตเปลี่ยนให้ เพื่อหลีกเลี่ยงอันตราย

ความปลอดภัยส่วนบุคคล

1. ให้ระมัดระวังและมีสติอยู่เสมอขณะใช้งานเครื่องมือไฟฟ้า ใช้งานเครื่องมือไฟฟ้าในขณะที่คุณกำลังเหนื่อย หรือในสภาพที่มีเมฆมาจายาเสพติด เครื่องดื่ม แอลกอฮอล์ หรือการใช้จ่ายช่วงเวลาที่ขาดความระมัดระวังเมื่อกำลังใช้งานเครื่องมือไฟฟ้า อาจทำให้ได้รับบาดเจ็บร้ายแรง
2. ใช้อุปกรณ์ป้องกันส่วนบุคคล สวมแว่นตาป้องกันเสมอ อุปกรณ์ป้องกัน เช่น หน้ากากกันฝุ่น รองเท้านิรภัยกันลื่น หมวกนิรภัย หรือเครื่องป้องกันการได้ยินที่ใช้ในสภาพที่เหมาะสมจะช่วยลดการบาดเจ็บ
3. ป้องกันไม่ให้เกิดการเปิดใช้งานโดยไม่ตั้งใจ ตรวจสอบให้แน่ใจว่าสวิตช์ปิดอยู่ก่อนที่จะเชื่อมต่อกับแหล่งจ่ายไฟ และ/หรือชุดแบตเตอรี่ รวมทั้งตรวจสอบก่อนการยกหรือเคลื่อนย้ายเครื่องมือ การถอดนิ้วมือบริเวณสวิตช์เพื่อถือเครื่องมือไฟฟ้า หรือการชาร์จไฟเครื่องมือไฟฟ้าในขณะที่เปิดสวิตช์อยู่อาจนำไปสู่การเกิดอุบัติเหตุ
4. นำถุงมือปรับตั้งหรือประแจออกก่อนที่จะเปิดเครื่องมือไฟฟ้า ประแจหรือถุงมือที่เสียบค้างอยู่ในชิ้นส่วนที่หมุนได้ของเครื่องมือไฟฟ้าอาจทำให้ได้รับบาดเจ็บ
5. อย่าทำงานในระบะที่สุดเอื้อม จัดท่าการยืนและการทรงตัวให้เหมาะสมตลอดเวลา เพราะจะทำให้ควบคุมเครื่องมือไฟฟ้าได้ดีขึ้นในสถานการณ์ที่ไม่คาดคิด
6. แต่งกายให้เหมาะสม อย่าสวมเครื่องแต่งกายที่หลวมเกินไป หรือสวมเครื่องประดับ ดูแลไม่ให้เส้นผมและเสื้อผ้าอยู่ใกล้ชิ้นส่วนที่เคลื่อนที่ เลือเสื้อผ้ารัดกุม เครื่องประดับ หรือผมที่มีความยาวอาจเข้าไปติดในชิ้นส่วนที่เคลื่อนที่
7. หากมีการจัดอุปกรณ์สำหรับดูดและจัดเก็บฝุ่นไว้ในสถานที่ ให้ตรวจสอบว่าได้เชื่อมต่อและใช้งานอุปกรณ์นั้นอย่างเหมาะสม การใช้เครื่องดูดและจัดเก็บฝุ่นจะช่วยลดอันตรายที่เกิดจากฝุ่นผงได้
8. อย่าให้ความคุ้นเคยจากการใช้งานเครื่องมือเป็นประจำทำให้คุณทำตัวตามสบายและละเลยหลักการเพื่อความปลอดภัยในการใช้เครื่องมือ การกระทำที่ไม่ระมัดระวังอาจทำให้เกิดการบาดเจ็บร้ายแรงภายในเสี้ยววินาที

- สวมใส่แว่นครอบตานิรภัยเพื่อปกป้องดวงตาของคุณจากการบาดเจ็บเมื่อใช้เครื่องมือไฟฟ้า แว่นครอบตาจะต้องได้มาตรฐาน ANSI Z87.1 ในสหรัฐฯ, EN 166 ในยุโรป หรือ AS/NZS 1336 ในออสเตรเลีย/นิวซีแลนด์ ในออสเตรเลีย/นิวซีแลนด์ จะต้องสวมเกราะป้องกันใบหน้าเพื่อปกป้องใบหน้าของคุณอย่างถูกต้อง



ต้องตามกฎหมายด้วยผู้ว่าจ้างมีหน้าที่รับผิดชอบในการบังคับผู้ใช้งานเครื่องมือและบุคคลอื่นๆ ที่อยู่ในบริเวณที่ปฏิบัติงานให้ใช้อุปกรณ์ป้องกันที่เหมาะสม

การใช้และดูแลเครื่องมือไฟฟ้า

- อย่าฝืนใช้เครื่องมือไฟฟ้า ใช้เครื่องมือไฟฟ้าที่เหมาะสมกับการใช้งานของคุณ เครื่องมือไฟฟ้าที่เหมาะสมจะทำให้ได้งานที่มีประสิทธิภาพและปลอดภัยกว่าตามขีดความสามารถของเครื่องที่ได้รับการออกแบบมา
- อย่าใช้เครื่องมือไฟฟ้า หากสวิตช์ไม่สามารถเปิดปิดได้ เครื่องมือไฟฟ้าที่ควบคุมด้วยสวิตช์ไม่ได้เป็นสิ่งอันตรายและต้องได้รับการซ่อมแซม
- ถอดปลั๊กกาแหล่งจ่ายไฟ และ/หรือชุดแบตเตอรี่ออกจากเครื่องมือไฟฟ้าก่อนทำการปรับตั้ง เปลี่ยนอุปกรณ์เสริม หรือจัดเก็บเครื่องมือไฟฟ้า วิธีการป้องกันด้านความปลอดภัยดังกล่าวจะช่วยลดความเสี่ยงในการเปิดใช้งานเครื่องมือไฟฟ้าโดยไม่ได้ตั้งใจ
- จัดเก็บเครื่องมือไฟฟ้าที่ไม่ได้ใช้งานให้ห่างจากมือเด็ก และอย่าอนุญาตให้บุคคลที่ไม่คุ้นเคยกับเครื่องมือไฟฟ้าหรือคำแนะนำเหล่านี้ใช้งานเครื่องมือไฟฟ้า เครื่องมือไฟฟ้าจะเป็นอันตรายเมื่ออยู่ในมือของผู้ที่ไม่ได้รับการฝึกอบรม
- บำรุงรักษาเครื่องมือไฟฟ้าและอุปกรณ์เสริม ตรวจสอบการประกอบที่ไม่ถูกต้องหรือการเชื่อมต่อของชิ้นส่วนที่เคลื่อนที่ การแตกหักของชิ้นส่วน หรือสภาพอื่นๆ ที่อาจส่งผลกระทบต่อการทำงานของเครื่องมือไฟฟ้า หากมีความเสียหาย ให้นำเครื่องมือไฟฟ้าไปซ่อมแซมก่อนการใช้งาน อุบัติเหตุจำนวนมากเกิดจากการดูแลรักษาเครื่องมือไฟฟ้าอย่างไม่ถูกต้อง
- ทำความสะอาดเครื่องมือตัดและลับให้คมอยู่เสมอ เครื่องมือการตัดที่มีการดูแลอย่างถูกต้องและมีการตัดคมมักจะไม่มีปัญหาติดขัดน้อยและควบคุมได้ง่ายกว่า

- ใช้เครื่องมือไฟฟ้า อุปกรณ์เสริม และวัสดุสิ้นเปลือง ฯลฯ ตามคำแนะนำดังกล่าว พิจารณาสภาพการทำงานและงานที่จะลงมือทำ การใช้เครื่องมือไฟฟ้าเพื่อทำงานอื่นนอกเหนือจากที่กำหนดไว้อาจทำให้เกิดอันตราย
- ดูแลมือจับและบริเวณมือจับให้แห้ง สะอาด และไม่มีน้ำมันและจาระบีเปื้อน มือจับและบริเวณมือจับที่ลื่นจะทำให้ไม่สามารถจับและควบคุมเครื่องมือได้อย่างปลอดภัยในสถานการณ์ที่ไม่คาดคิด
- ขณะใช้งานเครื่องมือ อย่าสวมใส่ถุงมือผ้าที่อาจเข้าไปติดในเครื่องมือได้ หากถุงมือผ้าเข้าไปติดในชิ้นส่วนที่กำลังเคลื่อนที่ อยู่อาจทำให้ได้รับบาดเจ็บ

การซ่อมบำรุง

- นำเครื่องมือไฟฟ้าเข้ารับบริการจากช่างซ่อมที่ผ่านการรับรองโดยใช้อะไหล่แบบเดียวกันเท่านั้น เพราะจะทำให้การใช้เครื่องมือไฟฟ้ามีความปลอดภัย
- ปฏิบัติตามคำแนะนำในการหล่อลื่นและการเปลี่ยนอุปกรณ์เสริม

GEB021-4

คำเตือนด้านความปลอดภัยของเครื่องขัด

- สวมแว่นตานิรภัยหรือแว่นครอบตาเสมอ แว่นตาปกติหรือแว่นกันแดดไม่ใช่แว่นนิรภัย
- จับเครื่องมือให้แน่น
- อย่าปล่อยให้เครื่องมือทำงานค้างไว้ ใช้งานเครื่องมือในขณะที่ยึดอยู่เท่านั้น
- เครื่องมือนี้ไม่กันน้ำ ดังนั้นอย่าใช้น้ำบนพื้นผิวของชิ้นงาน
- พื้นที่ทำงานต้องมีกระแสระบายอากาศอย่างเพียงพอเมื่อคุณทำการขัด
- วัสดุบางอย่างอาจมีสารเคมีที่เป็นพิษ ระวังอย่าสูดดมฝุ่นหรือให้สารเหล่านั้นสัมผัสกับร่างกาย ปฏิบัติตามข้อมูลด้านความปลอดภัยของผู้ผลิตวัสดุ
- การใช้เครื่องมือนี้ขัดผลิตภัณฑ์ สี หรือไม้บางชนิดอาจทำให้ผู้ใช้ได้รับฝุ่นที่ประกอบด้วยสารที่เป็นอันตราย ดังนั้นจึงควรใช้อุปกรณ์ช่วยหายใจที่เหมาะสม
- ตรวจสอบให้แน่ใจว่าไม่มีรอยร้าวหรือรอยแตกบนแผ่นรองก่อนการใช้งาน รอยร้าวหรือรอยแตกอาจทำให้เกิดการบาดเจ็บ

บันทึกคำแนะนำเหล่านี้

⚠ คำเตือน:

อย่าให้ความไม่ระมัดระวังหรือความคุ้นเคยกับผลิตภัณฑ์ (จากการใช้งานซ้ำหลายครั้ง) อยู่เหนือการปฏิบัติตามกฎเกณฑ์ด้านความปลอดภัยในการใช้งานผลิตภัณฑ์อย่างเคร่งครัด การปฏิบัติอย่างไม่เหมาะสมหรือการไม่ปฏิบัติตามกฎเกณฑ์ด้านความปลอดภัยในคู่มือใช้งานนี้อาจทำให้เกิดการบาดเจ็บอย่างรุนแรง

คำอธิบายการทำงาน

⚠️ ข้อควรระวัง:

- ตรวจสอบให้แน่ใจว่าสวิตช์เครื่องมืออยู่ในตำแหน่งปิดเครื่อง และถอดปลั๊กเครื่องมือออกก่อนปรับตั้งหรือตรวจสอบการทำงานของเครื่องมือ

การทำงานของสวิตช์ (ภาพที่ 1)

⚠️ ข้อควรระวัง:

- ก่อนเสียบปลั๊กเครื่องมือ ให้ตรวจสอบว่าสวิตช์สั่งงานสามารถทำงานได้อย่างถูกต้อง และกลับไปยังตำแหน่ง "OFF" เมื่อปล่อย
- สวิตช์สามารถล๊อคในตำแหน่ง "ON" เพื่อช่วยให้สะดวกในการใช้งานอย่างต่อเนื่อง ใช้ความระมัดระวังเมื่อล๊อคสวิตช์เครื่องมือในตำแหน่ง "ON" และจับเครื่องมือให้แน่นตลอดเวลา

เปิดใช้เครื่องมือโดยดึงสวิตช์สั่งงาน ปล่อยสวิตช์สั่งงานเพื่อหยุดทำงาน

ถ้าต้องการใช้งานอย่างต่อเนื่อง ดึงสวิตช์สั่งงานและกดปุ่มล๊อคแล้วจึงปล่อยสวิตช์สั่งงาน

ถ้าต้องการเลิกใช้งานเครื่องมือในตำแหน่งล๊อค ให้ดึงสวิตช์สั่งงานจนสุด จากนั้นปล่อยสวิตช์

แป้นปรับความเร็ว

สำหรับรุ่น BO5041 เท่านั้น (ภาพที่ 2)

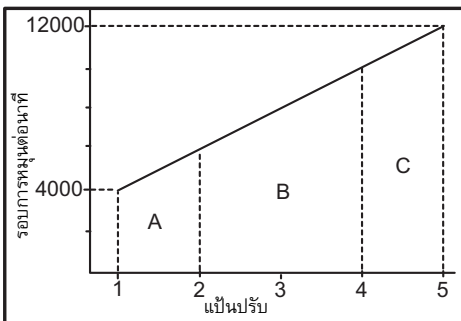
สามารถใช้แป้นปรับความเร็วเพื่อปรับความเร็วการตัดได้ตั้งแต่ 4,000 รอบจนถึง 12,000 รอบต่อนาที การปรับแป้นปรับไปทางหมายเลข 5 จะทำให้เครื่องหมุนเร็วขึ้น และการปรับแป้นปรับไปทางหมายเลข 1 จะทำให้เครื่องหมุนช้าลง

โปรดดูแผนภาพแสดงความสัมพันธ์ระหว่างตัวเลขการตั้งค่าแป้นปรับและชนิดของงานเพื่อการใช้งานอย่างเหมาะสม

ช่วง A: สำหรับการขัดเงา

ช่วง B: สำหรับการขัดกระดาษทรายเก็บงาน

ช่วง C: สำหรับการขัดกระดาษทรายทั่วๆ ไป



003291

หมายเหตุ:

- แผนภาพแสดงข้อมูลการใช้งานทั่วๆ ไป ในการใช้งานจริงอาจจะแตกต่างกันไปตามสภาพการใช้งาน

การประกอบ

⚠️ ข้อควรระวัง:

- ตรวจสอบให้แน่ใจว่าสวิตช์เครื่องมืออยู่ในตำแหน่งปิดเครื่อง และถอดปลั๊กเครื่องมือออกก่อนดำเนินการใดๆ กับเครื่องมือ

วิธีการใช้ด้ามจับด้านหน้า (ภาพที่ 3)

สามารถคลายด้ามจับด้านหน้าเพื่อเคลื่อนตำแหน่งได้ตามต้องการ เมื่อปรับตำแหน่งด้ามจับด้านหน้าเรียบร้อยแล้ว ให้ขันให้แน่นก่อนการใช้งาน

การติดตั้งหรือถอดด้ามจับด้านหน้า (ภาพที่ 4)

เปิดฐานของด้ามจับแล้วติดตั้งเข้ากับเครื่องมือตรงบริเวณโลโก้ Makita (ภาพที่ 5)

หลังจากที่ปิดฐานด้ามจับแล้ว ให้ขันสกรูที่ฐานด้ามจับให้แน่น

วิธีการถอดด้ามจับด้านหน้า ให้คลายสกรู ถอดด้ามจับด้านหน้าแล้วถอดฐานด้ามจับ (ภาพที่ 6)

การติดตั้งหรือถอดแผ่นขัด (ภาพที่ 7)

วิธีการติดตั้งแผ่นขัด ขั้นแรกให้ทำความสะอาดฝุ่นและสิ่งสกปรกออกจากแผ่นรอง แล้วดึงกระดาษที่ด้านหลังของแผ่นขัดออกแล้วติดตั้งแผ่นขัดเข้ากับแผ่นรอง พยายามทำให้รูของแผ่นขัดตรงกับรูของแผ่นรอง

⚠️ ข้อควรระวัง:

- หากคุณดึงแผ่นขัดออกจากแผ่นรอง ประสิทธิภาพการยึดติดอาจจะน้อยลง จงอย่าดึงแผ่นขัดที่เคี้ยวออกจากแผ่นรองแล้วใหม่อย่างเด็ดขาด

การติดตั้งถุงดักฝุ่น (ภาพที่ 8)

ติดตั้งถุงดักฝุ่นให้โลโก้ Makita อยู่ด้านบน (ไม่คว่ำลง)

การเทฝุ่นออกจากถุงดักฝุ่น

เมื่อมีฝุ่นอยู่ในถุงดักฝุ่นประมาณครึ่งหนึ่ง ให้ปิดเครื่องและถอดปลั๊ก ถอดถุงดักฝุ่นออกจากเครื่องมือ หมุนปากถุงทวนเข็มนาฬิกาเล็กน้อยเพื่อปลดล๊อคแล้วถอดถุงดักฝุ่นออกจากปากถุง เคาะถุงเบาๆ เพื่อนำฝุ่นออกจากถุง (ภาพที่ 9)

หลังจากที่เอาฝุ่นออกจากถุงดักฝุ่นแล้ว ให้ใส่ปากถุงเข้ากับตัวถุงดักฝุ่น หมุนปากถุงตามเข็มนาฬิกาจนเข้าล๊อค แล้วติดตั้งถุงดักฝุ่นเข้ากับเครื่องมือตามคำแนะนำในหัวข้อ การติดตั้งถุงดักฝุ่น (ภาพที่ 10)

การติดตั้งถุงดักฝุ่น

ใส่ถุงดักฝุ่นไว้ที่ตัวยึดดักฝุ่นโดยให้ด้านหน้าหงายขึ้น ใส่แผ่นยึดด้านหน้าเข้ากับร่องในตัวยึดดักฝุ่น (ภาพที่ 11)

แล้วกดส่วนบนของแผ่นยึดด้านหน้าตามทิศทางที่ลูกศรชี้เพื่อเกี่ยวเข้ากับหัวยึด (ภาพที่ 12)

ใส่ส่วนหยักของถุงกระดาษดักฝุ่นเข้าสู่ตัวนำของตัวยึดดักฝุ่น แล้ววัดติดตั้งยึดดักฝุ่นเข้ากับเครื่องมือ (ภาพที่ 13 และภาพที่ 14)

การติดตั้งถุงกรองฝุ่น

ตรวจสอบให้แน่ใจว่าโลโก้บนขอบกระดาษแข็งและโลโก้บนกล่องเก็บฝุ่นอยู่ด้านเดียวกัน จากนั้นจึงใส่ถุงกรองฝุ่นโดยการใส่ขอบกระดาษแข็งลงในร่องของแถบยึด (ภาพที่ 15)

ตรวจสอบให้แน่ใจว่าโลโก้บนขอบกระดาษแข็งและโลโก้บนท่อดักฝุ่นอยู่ด้านเดียวกัน จากนั้นจึงใส่ท่อดักฝุ่นบนกล่องเก็บฝุ่น (ภาพที่ 16)

การถอดกล่องเก็บฝุ่นและถุงกรองฝุ่น

ถอดท่อดักฝุ่นโดยการดึงตัวล็อกทั้งสอง (ภาพที่ 17)

ถอดถุงกรองฝุ่นออกก่อนโดยบีบที่ด้านโลโก้ของขอบกระดาษแข็ง แล้วดึงขอบกระดาษแข็งลงให้ออกจากแถบยึดของกล่องเก็บฝุ่น (ภาพที่ 18)

การใช้งาน

⚠ ข้อควรระวัง:

- ใช้ตามจับด้านหน้าเสมอ และจับเครื่องมือให้แน่นด้วยตามจับด้านหน้าและมือจับสวิตช์ในระหว่างการใช้งาน

การขัด (ภาพที่ 19)

⚠ ข้อควรระวัง:

- อย่าเปิดใช้เครื่องมือโดยไม่ได้ใส่แผ่นขัดเนื่องจากอาจทำให้แผ่นรองเสียหายอย่างหนักได้
- อย่าใช้แรงกดบนเครื่องมือ เนื่องจากแรงกดที่มากเกินไปจะลดประสิทธิภาพการขัด ทำให้แผ่นขัดเสียหายและ/หรือลดอายุการใช้งานของเครื่องมือ
- การใช้เครื่องมือโดยให้ขอบของแผ่นรองสัมผัสกับชิ้นงานอาจทำให้แผ่นรองเสียหายได้

จับเครื่องมือให้แน่น เปิดสวิตช์เครื่องมือ และรอกจนกระทั่งทำงานด้วยความเร็วเต็มที่ จากนั้นค่อยๆ วางเครื่องมือบนพื้นผิวของชิ้นงาน รักษาระดับแผ่นรองให้ขนานกับชิ้นงานและออกแรงกดเครื่องมือเล็กน้อย

⚠ ข้อควรระวัง:

- แผ่นขัดจะหมุนตามเข็มนาฬิกากระหว่างใช้งาน แต่จะสามารถหมุนทวนเข็มนาฬิกาได้ในระหว่างที่ไม่ใช้งาน

การขัดเงา

สำหรับรุ่น BO5041 เท่านั้น

⚠ ข้อควรระวัง:

- ใช้แต่แผ่นฟองน้ำ แผ่นสีกหลาด แผ่นขนสัตว์ ของMakita เท่านั้น
- ใช้เครื่องมือด้วยความเร็วต่ำเพื่อป้องกันพื้นผิวชิ้นงานจากความร้อนสูงกว่าปกติ
- อย่าใช้แรงกดบนเครื่องมือ การใช้แรงกดมากเกินไปอาจลดประสิทธิภาพในการขัดเงา และอาจจะทำให้มอเตอร์ต้องทำงานหนักเกินไปและอาจทำให้เครื่องมือทำงานผิดพลาดได้

1. การใช้น้ำแว็กซ์ (ภาพที่ 20)

ใช้อุปกรณ์เสริมแผ่นฟองน้ำ ใส่แว็กซ์ที่แผ่นฟองน้ำหรือที่พื้นผิวของชิ้นงาน เปิดเครื่องมือด้วยความเร็วต่ำเพื่อทาแว็กซ์ให้ทั่ว

หมายเหตุ:

- ขั้นแรกให้ทาแว็กซ์ให้ทั่วทุกส่วนเพื่อให้แน่ใจว่าเครื่องมือจะไม่ทำให้พื้นผิวของชิ้นงานเป็นรอย หรือการลงแว็กซ์ไม่ทั่ว
- เปิดเครื่องมือด้วยความเร็วต่ำเสมอ การใช้ความเร็วสูงอาจทำให้แว็กซ์กระเด็นได้

2. การขัดแว็กซ์ออก (ภาพที่ 21)

ใช้อุปกรณ์เสริมแผ่นผ้าสีกหลาด เปิดเครื่องมือด้วยความเร็วต่ำเพื่อขัดแว็กซ์ออก

3. การขัดเงา (ภาพที่ 22)

ใช้อุปกรณ์เสริมแผ่นผ้าขนสัตว์ เปิดเครื่องมือด้วยความเร็วต่ำ และใช้แผ่นผ้าขนสัตว์ลูบเบาๆ ไปตามพื้นผิวของแผ่นงาน

การบำรุงรักษา

⚠ ข้อควรระวัง:

- ตรวจสอบให้แน่ใจว่าได้ปิดสวิตช์เครื่องมือและถอดปลั๊กออกก่อนทำการตรวจสอบหรือบำรุงรักษา
- อย่าใช้น้ำมันเชื้อเพลิง เบนซิน ทินเนอร์ แอลกอฮอล์ หรือวัสดุประเภทเดียวกัน เพราะอาจทำให้เครื่องมือมีสีซีดจาง ผิดรูปทรงหรือแตกหักได้

เพื่อความปลอดภัยและความน่าเชื่อถือของผลิตภัณฑ์ ควรให้ศูนย์บริการที่ผ่านการรับรองจาก Makita เป็นผู้ดำเนินการซ่อมแซม ตรวจสอบและเปลี่ยนแปลงคาร์บอน บำรุงรักษา และทำการปรับตั้งอื่นๆ นอกจากนี้ให้ใช้อะไหล่ของแท้จาก Makita เสมอ

อุปกรณ์เสริม

⚠️ ข้อควรระวัง:

- ขอแนะนำให้ใช้เฉพาะอุปกรณ์เสริมหรืออุปกรณ์ต่อพ่วงเหล่านี้กับเครื่องมือ Makita ที่ระบุในคู่มือ การใช้อุปกรณ์เสริมหรืออุปกรณ์ต่อพ่วงอื่นๆ อาจมีความเสี่ยงที่จะได้รับบาดเจ็บ ใช้ อุปกรณ์เสริมหรืออุปกรณ์ต่อพ่วงตามวัตถุประสงค์ที่ระบุไว้เท่านั้น

หากคุณต้องการทราบรายละเอียดเกี่ยวกับอุปกรณ์เสริมเหล่านี้ โปรดสอบถามศูนย์บริการ Makita ใกล้บ้านคุณ

- แผ่นขัดแบบห้วงเกี่ยว (พร้อมด้วยช่องใส่)
- แผ่นพองน้ำแบบห้วงเกี่ยว
- ถังกระดาษตัดกัฟุ่น (สำหรับรุ่น BO5041 เท่านั้น)
- แผ่นสีกหลาดแบบห้วงเกี่ยว
- แผ่นขนสัตว์แบบห้วงเกี่ยว
- ถังกระดาษตัดกัฟุ่น

หมายเหตุ:

- อุปกรณ์บางรายการอาจจะรวมอยู่ในชุดอุปกรณ์พื้นฐานของผลิตภัณฑ์ ซึ่งอาจแตกต่างกันไปในแต่ละประเทศ

Makita Corporation
3-11-8, Sumiyoshi-cho,
Anjo, Aichi 446-8502 Japan
www.makita.com

884946C373

TRD