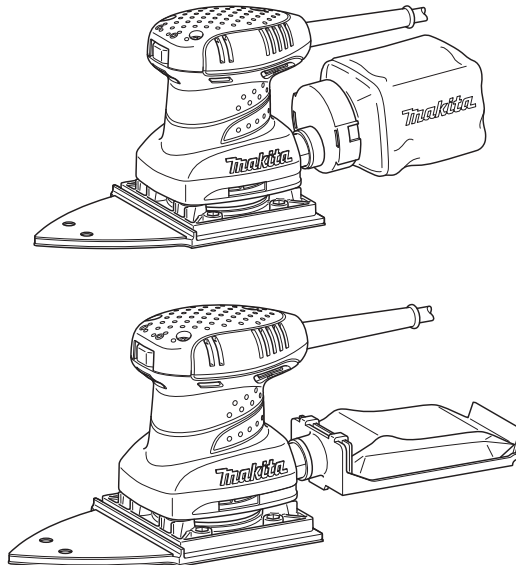
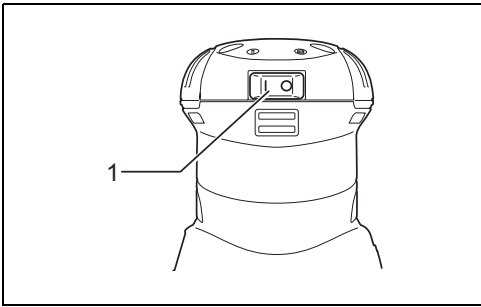




GB	Finishing Sander	Instruction manual
ID	Mesin Ampelas Halus	Petunjuk penggunaan
VI	Máy Chà Nhám Rung Cầm Tay Hoạt Động Bằng Động Cơ Điện	Tài liệu hướng dẫn
TH	เครื่องขัดกระดาษทราย	คู่มือการใช้งาน

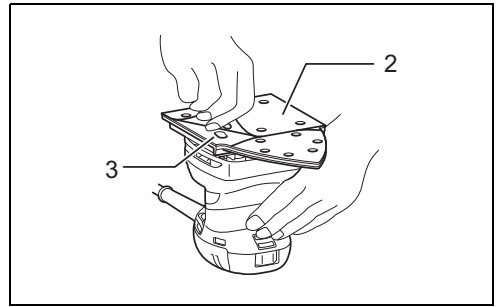
B04565





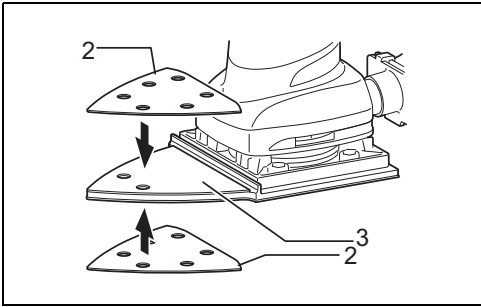
1

008302



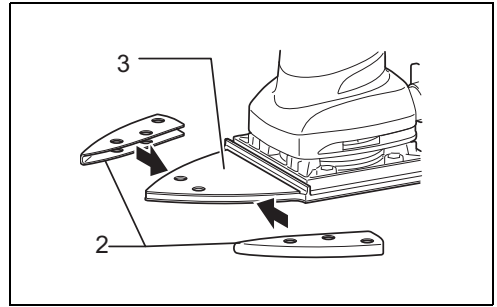
2

008304



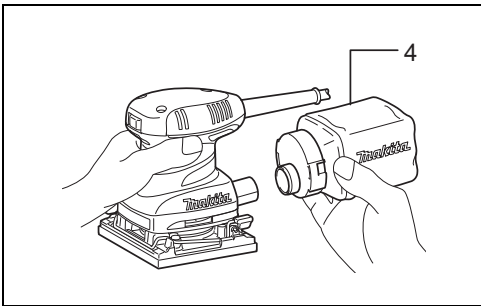
3

008305



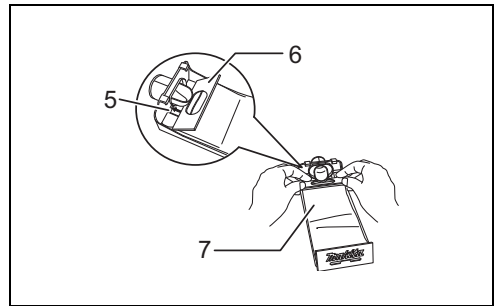
4

008306



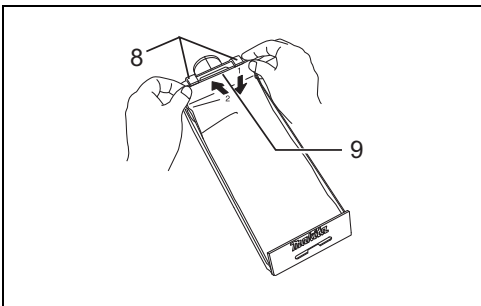
5

008301



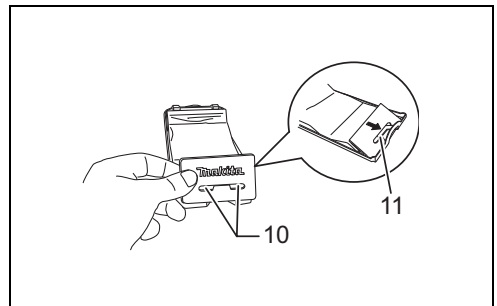
6

003742



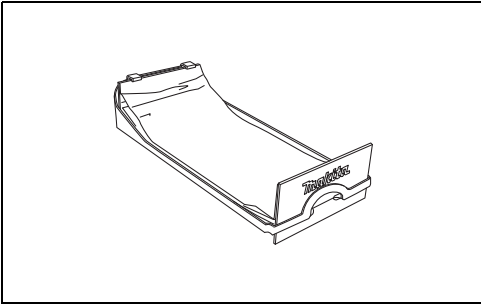
7

003743



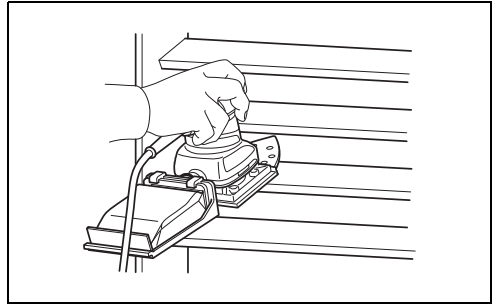
8

003744



9

003745



10

008307

Explanation of general view

- | | | |
|---------------------|---------------------------------|---------------|
| 1. Switch | 5. Groove | 9. Upper part |
| 2. Velcro sandpaper | 6. Front fixing cardboard | 10. Notch |
| 3. Base | 7. Front side of paper dust bag | 11. Guide |
| 4. Dust bag | 8. Claws | |

SPECIFICATIONS

Model	BO4565
Pad size	112 mm x 190 mm
Orbits per minute (min ⁻¹)	14,000
Dimensions (L x W x H)	219 mm x 112 mm x 139 mm
Net weight	1.2 kg
Safety class	□/II

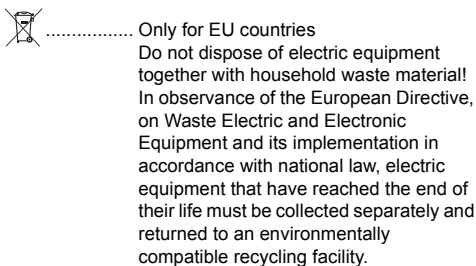
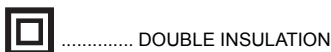
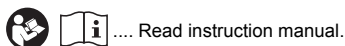
- Due to our continuing program of research and development, the specifications herein are subject to change without notice.
- Specifications may differ from country to country.
- Weight according to EPTA-Procedure 01/2014

END201-7

GEA012-2

Symbols

The following show the symbols used for the equipment. Be sure that you understand their meaning before use.



ENE052-1

Intended use

The tool is intended for the sanding of large surface of wood, plastic and metal materials as well as painted surfaces.

ENF002-2

Power supply

The tool should be connected only to a power supply of the same voltage as indicated on the nameplate, and can only be operated on single-phase AC supply. They are double-insulated and can, therefore, also be used from sockets without earth wire.

General power tool safety warnings

⚠ WARNING: Read all safety warnings, instructions, illustrations and specifications provided with this power tool. Failure to follow all instructions listed below may result in electric shock, fire and/or serious injury.

Save all warnings and instructions for future reference.

The term “power tool” in the warnings refers to your mains-operated (corded) power tool or battery-operated (cordless) power tool.

Work area safety

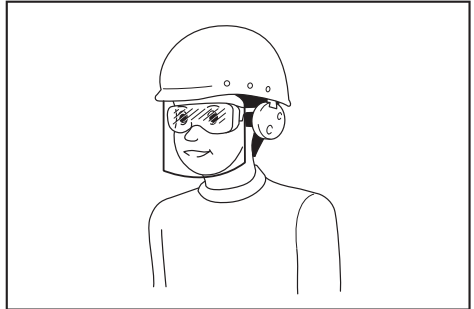
1. **Keep work area clean and well lit.** Cluttered or dark areas invite accidents.
2. **Do not operate power tools in explosive atmospheres, such as in the presence of flammable liquids, gases or dust.** Power tools create sparks which may ignite the dust or fumes.
3. **Keep children and bystanders away while operating a power tool.** Distractions can cause you to lose control.

Electrical Safety

1. **Power tool plugs must match the outlet. Never modify the plug in any way. Do not use any adapter plugs with earthed (grounded) power tools.** Unmodified plugs and matching outlets will reduce risk of electric shock.
2. **Avoid body contact with earthed or grounded surfaces, such as pipes, radiators, ranges and refrigerators.** There is an increased risk of electric shock if your body is earthed or grounded.
3. **Do not expose power tools to rain or wet conditions.** Water entering a power tool will increase the risk of electric shock.

4. **Do not abuse the cord. Never use the cord for carrying, pulling or unplugging the power tool. Keep cord away from heat, oil, sharp edges or moving parts.** Damaged or entangled cords increase the risk of electric shock.
5. **When operating a power tool outdoors, use an extension cord suitable for outdoor use.** Use of a cord suitable for outdoor use reduces the risk of electric shock.
6. **If operating a power tool in a damp location is unavoidable, use a residual current device (RCD) protected supply.** Use of an RCD reduces the risk of electric shock.
7. **Use of power supply via an RCD with a rated residual current of 30 mA or less is always recommended.**
8. **Power tools can produce electromagnetic fields (EMF) that are not harmful to the user.** However, users of pacemakers and other similar medical devices should contact the maker of their device and/or doctor for advice before operating this power tool.
9. **Do not touch the power plug with wet hands.**
10. **If the cord is damaged, have it replaced by the manufacturer or his agent in order to avoid a safety hazard.**

9. **Always wear protective goggles to protect your eyes from injury when using power tools. The goggles must comply with ANSI Z87.1 in the USA, EN 166 in Europe, or AS/NZS 1336 in Australia/New Zealand. In Australia/New Zealand, it is legally required to wear a face shield to protect your face, too.**



It is an employer's responsibility to enforce the use of appropriate safety protective equipments by the tool operators and by other persons in the immediate working area.

Personal Safety

1. **Stay alert, watch what you are doing and use common sense when operating a power tool. Do not use a power tool while you are tired or under the influence of drugs, alcohol or medication.** A moment of inattention while operating power tools may result in serious personal injury.
2. **Use personal protective equipment. Always wear eye protection.** Protective equipment such as a dust mask, non-skid safety shoes, hard hat or hearing protection used for appropriate conditions will reduce personal injuries.
3. **Prevent unintentional starting. Ensure the switch is in the off-position before connecting to power source and/or battery pack, picking up or carrying the tool.** Carrying power tools with your finger on the switch or energising power tools that have the switch on invites accidents.
4. **Remove any adjusting key or wrench before turning the power tool on.** A wrench or a key left attached to a rotating part of the power tool may result in personal injury.
5. **Do not overreach. Keep proper footing and balance at all times.** This enables better control of the power tool in unexpected situations.
6. **Dress properly. Do not wear loose clothing or jewellery. Keep your hair and clothing away from moving parts.** Loose clothes, jewellery or long hair can be caught in moving parts.
7. **If devices are provided for the connection of dust extraction and collection facilities, ensure these are connected and properly used.** Use of dust collection can reduce dust-related hazards.
8. **Do not let familiarity gained from frequent use of tools allow you to become complacent and ignore tool safety principles.** A careless action can cause severe injury within a fraction of a second.

Power tool use and care

1. **Do not force the power tool. Use the correct power tool for your application.** The correct power tool will do the job better and safer at the rate for which it was designed.
2. **Do not use the power tool if the switch does not turn it on and off.** Any power tool that cannot be controlled with the switch is dangerous and must be repaired.
3. **Disconnect the plug from the power source and/or remove the battery pack, if detachable, from the power tool before making any adjustments, changing accessories, or storing power tools.** Such preventive safety measures reduce the risk of starting the power tool accidentally.
4. **Store idle power tools out of the reach of children and do not allow persons unfamiliar with the power tool or these instructions to operate the power tool.** Power tools are dangerous in the hands of untrained users.
5. **Maintain power tools and accessories. Check for misalignment or binding of moving parts, breakage of parts and any other condition that may affect the power tool's operation. If damaged, have the power tool repaired before use.** Many accidents are caused by poorly maintained power tools.
6. **Keep cutting tools sharp and clean.** Properly maintained cutting tools with sharp cutting edges are less likely to bind and are easier to control.
7. **Use the power tool, accessories and tool bits etc. in accordance with these instructions, taking into account the working conditions and the work to be performed.** Use of the power tool for operations different from those intended could result in a hazardous situation.

8. **Keep handles and grasping surfaces dry, clean and free from oil and grease.** Slippery handles and grasping surfaces do not allow for safe handling and control of the tool in unexpected situations.
9. **When using the tool, do not wear cloth work gloves which may be entangled.** The entanglement of cloth work gloves in the moving parts may result in personal injury.

Service

1. **Have your power tool serviced by a qualified repair person using only identical replacement parts.** This will ensure that the safety of the power tool is maintained.
2. **Follow instruction for lubricating and changing accessories.**

GEB021-4

SANDER SAFETY WARNINGS

1. **Always use safety glasses or goggles. Ordinary eye or sun glasses are NOT safety glasses.**
2. **Hold the tool firmly.**
3. **Do not leave the tool running. Operate the tool only when hand-held.**
4. **This tool has not been waterproofed, so do not use water on the workpiece surface.**
5. **Ventilate your work area adequately when you perform sanding operations.**
6. **Some material contains chemicals which may be toxic. Take caution to prevent dust inhalation and skin contact. Follow material supplier safety data.**
7. **Use of this tool to sand some products, paints and wood could expose user to dust containing hazardous substances. Use appropriate respiratory protection.**
8. **Be sure that there are no cracks or breakage on the pad before use. Cracks or breakage may cause a personal injury.**

SAVE THESE INSTRUCTIONS.

⚠ WARNING:

DO NOT let comfort or familiarity with product (gained from repeated use) replace strict adherence to safety rules for the subject product. **MISUSE** or failure to follow the safety rules stated in this instruction manual may cause serious personal injury.

FUNCTIONAL DESCRIPTION

⚠ CAUTION:

- Always be sure that the tool is switched off and unplugged before adjusting or checking function on the tool.

Switch action (Fig. 1)

⚠ CAUTION:

- Before plugging in the tool, always check to see that the tool is switched off.
- To start the tool, press the "I" side of the switch. To stop the tool, press the "O" side of the switch.

ASSEMBLY

⚠ CAUTION:

- Always be sure that the tool is switched off and unplugged before carrying out any work on the tool.

Installing or removing abrasive paper (Fig. 2, Fig. 3 & Fig. 4)

NOTE:

- Use Makita hook-and-loop sandpaper with this sander.

To attach the sandpaper:

1. Set the tool upside down so that the pad is on top.
2. Position the sandpaper to fit the shape of the base. Be sure to align the holes on the sandpaper with the holes on the pad (the dust will be sucked into these holes; it is therefore important to leave them open).
3. Press the paper firmly over the pad.

To remove the sandpaper:

1. Set the tool upside down so that the sandpaper is on top.
2. Grasping one corner of the sandpaper, peel it from the pad.

NOTE:

- If the sandpaper is in good condition, save it for further use.

When sanding in narrow, hard-to-reach areas (e.g., shutters, blinds, louvers), attach the cone-shaped abrasive papers to the end of the pad (bottom and top). To sand the end of thin materials, fold the abrasive paper and attach to the side of the pad as shown in the figures.

Dust bag (accessory) (Fig. 5)

The use of the dust bag makes sanding operations clean and dust collection easy. To attach the dust bag, fit the bag's entry port onto the dust spout on the tool. Make sure that the hole in the bag's entry port is just over the pimple-like protrusion on the dust spout.

For the best results, empty the dust bag when it becomes approximately half full, tapping it lightly to remove as much dust as possible.

Installing paper dust bag (accessory)

Place the paper dust bag on the paper dust bag holder with its front side upward. Insert the front fixing cardboard of the paper dust bag into the groove of the paper dust bag holder. (Fig. 6)

Then press the upper part of the front fixing cardboard in arrow direction to hook it onto the claws. (Fig. 7)

Insert the notch of the paper dust bag into the guide of the paper dust bag holder. Then install the paper dust bag holder set on the tool. (Fig. 8 & Fig. 9)

OPERATION

Sanding operation (Fig. 10)

CAUTION:

- Never run the tool without the abrasive paper. You may seriously damage the pad.
- Never force the tool. Excessive pressure may decrease the sanding efficiency, damage the abrasive paper and/or shorten tool life.

Hold the tool firmly. Turn the tool on and wait until it attains full speed. Then gently place the tool on the workpiece surface. A finishing sander is generally used to remove only a small amount of material at a time. Since the quality of the surface is more important than the amount of stock removed, do not bear down on the tool. Keep the base flush with the workpiece at all times.

MAINTENANCE

CAUTION:

- Always be sure that the tool is switched off and unplugged before attempting to perform inspection or maintenance.
- Never use gasoline, benzine, thinner, alcohol or the like. Discoloration, deformation or cracks may result.

To maintain product SAFETY and RELIABILITY, repairs, carbon brush inspection and replacement, any other maintenance or adjustment should be performed by Makita Authorized Service Centers, always using Makita replacement parts.

OPTIONAL ACCESSORIES

CAUTION:

- These accessories or attachments are recommended for use with your Makita tool specified in this manual. The use of any other accessories or attachments might present a risk of injury to persons. Only use accessory or attachment for its stated purpose.

If you need any assistance for more details regarding these accessories, ask your local Makita Service Center.

- Abrasive paper (without pre-punched holes)
- Paper dust bag
- Paper dust bag holder
- Punch plate
- Dust bag

NOTE:

- Some items in the list may be included in the tool package as standard accessories. They may differ from country to country.

Penjelasan tampilan keseluruhan

- | | | |
|------------------------|-----------------------------------|----------------|
| 1. Saklar | 5. Alur | 9. Bagian atas |
| 2. Kertas pasir Velcro | 6. Papan pemasang bagian depan | 10. Takik |
| 3. Dudukan | 7. Sisi depan kantong debu kertas | 11. Pemandu |
| 4. Kantong debu | 8. Penjepit | |

SPESIFIKASI

Model	BO4565
Ukuran bantalan	112 mm x 190 mm
Putaran per menit (min ⁻¹)	14.000
Dimensi (P x L x T)	219 mm x 112 mm x 139 mm
Berat bersih	1,2 kg
Kelas keamanan	□/II

- Karena kesinambungan program penelitian dan pengembangan kami, spesifikasi yang disebutkan di sini dapat berubah tanpa pemberitahuan.
- Spesifikasi dapat berbeda dari satu negara ke negara lainnya.
- Berat menurut Prosedur EPTA 01/2014

END201-7

ENF002-2

Simbol

Berikut ini adalah simbol-simbol yang digunakan pada peralatan ini. Pastikan Anda mengerti makna masing-masing simbol sebelum menggunakan alat.



..... Baca petunjuk penggunaan.



..... ISOLASI GANDA



..... Hanya untuk negara-negara UE
 Jangan membuang peralatan listrik atau paket baterai bersama-sama dengan bahan limbah rumah tangga!
 Dengan memerhatikan Petunjuk Eropa, tentang Limbah Peralatan Listrik dan Elektronik serta pelaksanaannya sesuai dengan ketentuan hukum nasional, peralatan listrik yang telah habis umur pakainya harus dikumpulkan secara terpisah dan dikembalikan ke fasilitas daur ulang yang kompatibel secara lingkungan.

ENE052-1

Penggunaan

Mesin ini digunakan untuk mengampelas permukaan yang luas pada bahan kayu, plastik dan logam serta permukaan yang dicat.

Pasokan daya

Mesin harus terhubung dengan pasokan daya listrik yang bervoltase sama dengan yang tertera pada pelat nama, dan hanya dapat dijalankan dengan listrik AC fase tunggal. Mesin diisolasi ganda dan oleh sebab itu dapat dihubungkan dengan soket tanpa arde.

GEA012-2

Peringatan keselamatan umum mesin listrik

⚠ PERINGATAN: Bacalah semua peringatan keselamatan, petunjuk, ilustrasi dan spesifikasi yang disertakan bersama mesin listrik ini.
 Kelalaian untuk mematuhi semua petunjuk yang tercantum di bawah ini dapat menyebabkan sengatan listrik, kebakaran dan/atau cedera serius.

Simpanlah semua peringatan dan petunjuk untuk acuan di masa depan.

Istilah "mesin listrik" dalam semua peringatan mengacu pada mesin listrik yang dijalankan dengan sumber listrik jala-jala (berkabel) atau baterai (tanpa kabel).

Keselamatan tempat kerja

1. **Jaga tempat kerja selalu bersih dan berpenerangan cukup.** Tempat kerja yang berantakan dan gelap mengundang kecelakaan.
2. **Jangan gunakan mesin listrik dalam lingkungan yang mudah meledak, misalnya jika ada cairan, gas, atau debu yang mudah menyala.** Mesin listrik menimbulkan bunga api yang dapat menyalakan debu atau uap tersebut.
3. **Jauhkan anak-anak dan orang lain saat menggunakan mesin listrik.** Bila perhatian terpecah, anda dapat kehilangan kendali.

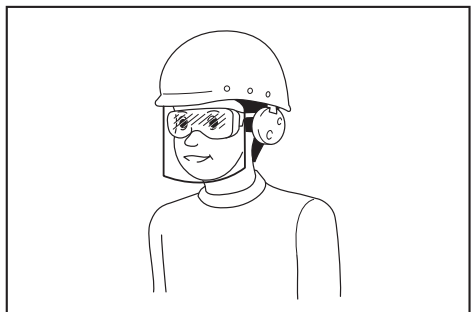
Keamanan Kelistrikan

1. **Steker mesin listrik harus cocok dengan stopkontak. Jangan sekali-kali mengubah steker dengan cara apa pun. Jangan menggunakan steker adaptor dengan mesin listrik terbumi (dibumikan).** Steker yang tidak diubah dan stopkontak yang cocok akan mengurangi risiko sengatan listrik.
2. **Hindari sentuhan tubuh dengan permukaan terbumi atau yang dibumikan seperti pipa, radiator, kompor, dan kulkas.** Risiko sengatan listrik bertambah jika tubuh Anda terbumikan atau dibumikan.
3. **Jangan membiarkan mesin listrik kehujanan atau kebasahan.** Air yang masuk ke dalam mesin listrik akan meningkatkan risiko sengatan listrik.
4. **Jangan menyalahgunakan kabel. Jangan sekali-kali menggunakan kabel untuk membawa, menarik, atau mencabut mesin listrik dari stopkontak. Jauhkan kabel dari panas, minyak, tepian tajam, atau bagian yang bergerak.** Kabel yang rusak atau kusut memperbesar risiko sengatan listrik.
5. **Bila menggunakan mesin listrik di luar ruangan, gunakan kabel ekstensi yang sesuai untuk penggunaan di luar ruangan.** Penggunaan kabel yang sesuai untuk penggunaan luar ruangan mengurangi risiko sengatan listrik.
6. **Jika mengoperasikan mesin listrik di lokasi lembap tidak terhindarkan, gunakan pasokan daya yang dilindungi peranti imbasan arus (residual current device - RCD).** Penggunaan RCD mengurangi risiko sengatan listrik.
7. **Penggunaan pasokan daya melalui RCD dengan kapasitas arus sisa 30 mA atau kurang selalu dianjurkan.**
8. **Mesin listrik dapat menghasilkan medan magnet (EMF) yang tidak berbahaya bagi pengguna.** Namun, pengguna alat pacu jantung atau peralatan medis sejenisnya harus berkonsultasi dengan produsen peralatan tersebut dan/atau dokter mereka sebelum mengoperasikan mesin listrik ini.
9. **Jangan menyentuh colokan daya dengan tangan basah.**
10. **Jika kabel rusak, penggantian harus dilakukan oleh produsen atau agennya untuk menghindari bahaya keselamatan.**

Keselamatan Diri

1. **Jaga kewaspadaan, perhatikan pekerjaan Anda dan gunakan akal sehat bila menggunakan mesin listrik. Jangan menggunakan mesin listrik saat Anda lelah atau di bawah pengaruh obat bius, alkohol, atau obat.** Sekejap saja lalai saat menggunakan mesin listrik dapat menyebabkan cedera badan serius.
2. **Gunakan alat pelindung diri. Selalu gunakan pelindung mata.** Peralatan pelindung seperti masker debu, sepatu pengaman anti-selip, helm pengaman, atau pelindung telinga yang digunakan untuk kondisi yang sesuai akan mengurangi risiko cedera badan.

3. **Cegah penyalaaan yang tidak disengaja. Pastikan bahwa sakelar berada dalam posisi mati (off) sebelum menghubungkan mesin ke sumber daya dan/atau paket baterai, atau mengangkat atau membawanya.** Membawa mesin listrik dengan jari Anda pada sakelarnya atau mengalirkan listrik pada mesin listrik yang sakelarnya hidup (on) akan mengundang kecelakaan.
4. **Lepaskan kunci-kunci penyetel sebelum menghidupkan mesin listrik.** Kunci-kunci yang masih terpasang pada bagian mesin listrik yang berputar dapat menyebabkan cedera.
5. **Jangan meraih terlalu jauh. Jagalah pijakan dan keseimbangan sepanjang waktu.** Hal ini memungkinkan kendali yang lebih baik atas mesin listrik dalam situasi yang tidak diharapkan.
6. **Kenakan pakaian yang memadai. Jangan memakai pakaian yang longgar atau perhiasan. Jaga jarak antara rambut dan pakaian Anda dengan komponen mesin yang bergerak.** Pakaian yang longgar, perhiasan, atau rambut yang panjang dapat tersangkut pada komponen yang bergerak.
7. **Jika tersedia fasilitas untuk menghisap dan mengumpulkan debu, pastikan fasilitas tersebut terhubung listrik dan digunakan dengan baik.** Penggunaan pembersih debu dapat mengurangi bahaya yang terkait dengan debu.
8. **Jangan sampai Anda lengah dan mengabaikan prinsip keselamatan mesin ini hanya karena sudah sering mengoperasikannya dan sudah merasa terbiasa.** Tindakan yang lalai dapat menyebabkan cedera berat dalam sepersekian detik saja.
9. **Selalu kenakan kacamata pelindung untuk melindungi mata dari cedera saat menggunakan mesin listrik. Kacamata harus sesuai dengan ANSI Z87.1 di Amerika Serikat, EN 166 di Eropa, atau AS/NZS 1336 di Australia/Selandia Baru. Di Australia/Selandia Baru, secara hukum Anda juga diwajibkan mengenakan pelindung wajah untuk melindungi wajah Anda.**



Menjadi tanggung jawab atasan untuk menerapkan penggunaan alat pelindung keselamatan yang tepat bagi operator mesin dan orang lain yang berada di area kerja saat itu.

Penggunaan dan pemeliharaan mesin listrik

1. **Jangan memaksa mesin listrik. Gunakan mesin listrik yang tepat untuk keperluan Anda.** Mesin listrik yang tepat akan menuntaskan pekerjaan dengan lebih baik dan aman pada kecepatan sesuai rancangannya.
2. **Jangan gunakan mesin listrik jika sakelar tidak dapat menyalakan dan mematikkannya.** Mesin listrik yang tidak dapat dikendalikan dengan sakelarnya adalah berbahaya dan harus diperbaiki.
3. **Cabut steker dari sumber listrik dan/atau lepas paket baterai, jika dapat dilepas, dari mesin listrik sebelum melakukan penyetelan apa pun, mengganti aksesoris, atau menyimpan mesin listrik.** Langkah keselamatan preventif tersebut mengurangi risiko hidupnya mesin secara tak sengaja.
4. **Simpan mesin listrik jauh dari jangkauan anak-anak dan jangan biarkan orang yang tidak paham mengenai mesin listrik tersebut atau petunjuk ini menggunakan mesin listrik.** Mesin listrik sangat berbahaya di tangan pengguna yang tak terlatih.
5. **Rawatlah mesin listrik dan aksesoris. Periksa apakah ada komponen bergerak yang tidak lurus atau macet, komponen yang pecah, dan kondisi-kondisi lain yang dapat memengaruhi pengoperasian mesin listrik. Jika rusak, perbaiki dahulu mesin listrik sebelum digunakan.** Banyak kecelakaan disebabkan oleh kurangnya pemeliharaan mesin listrik.
6. **Jaga agar mesin pemotong tetap tajam dan bersih.** Mesin pemotong yang terawat baik dengan mata pemotong yang tajam tidak mudah macet dan lebih mudah dikendalikan.
7. **Gunakan mesin listrik, aksesoris, dan mata mesin, dll. sesuai dengan petunjuk ini, dengan memperhitungkan kondisi kerja dan jenis pekerjaan yang dilakukan.** Penggunaan mesin listrik untuk penggunaan yang lain dari peruntukan dapat menimbulkan situasi berbahaya.
8. **Jagalah agar gagang dan permukaan pegangan tetap kering, bersih, dan bebas dari minyak dan pelumas.** Gagang dan permukaan pegangan yang licin tidak mendukung keamanan penanganan dan pengendalian mesin dalam situasi-situasi tak terduga.
9. **Ketika menggunakan mesin, jangan menggunakan sarung tangan kain yang dapat tersangkut.** Sarung tangan kain yang tersangkut pada komponen bergerak dapat mengakibatkan cedera pada pengguna.

Servis

1. **Berikan mesin listrik untuk diperbaiki hanya kepada oleh teknisi yang berkualifikasi dengan menggunakan hanya suku cadang pengganti yang serupa.** Hal ini akan menjamin terjaganya keamanan mesin listrik.
2. **Patuhi petunjuk pelumasan dan penggantian aksesoris.**

PERINGATAN KESELAMATAN MESIN AMPELAS

1. **Selalu gunakan kaca mata pengaman atau kaca mata pelindung. Kaca mata biasa atau kaca mata hitam BUKANLAH kaca mata pengaman.**
2. **Pegang mesin kuat-kuat.**
3. **Jangan tinggalkan mesin dalam keadaan hidup. Jalankan mesin hanya ketika digenggam tangan.**
4. **Mesin ini tidak tahan air, jadi jangan menggunakan air pada permukaan benda kerja.**
5. **Beri ruang udara secukupnya ketika Anda melakukan pekerjaan pengampelasan.**
6. **Bahan tertentu mengandung zat kimia yang mungkin beracun. Hindari menghirup debu dan persentuhan dengan kulit. Ikuti data keselamatan bahan dari pemasok.**
7. **Penggunaan mesin ini untuk mengampelas produk, cat dan kayu bisa menyebabkan pengguna menghirup debu yang mengandung zat-zat berbahaya. Gunakan alat pelindung pernafasan yang sesuai.**
8. **Pastikan bahwa tidak ada retakan atau kerusakan pada bantalan sebelum penggunaan. Retakan atau kerusakan bisa menyebabkan cedera.**

SIMPAN PETUNJUK INI.

⚠ PERINGATAN:

JANGAN biarkan kenyamanan atau terbiasanya Anda dengan produk (karena penggunaan berulang) menggantikan kepatuhan yang ketat terhadap aturan keselamatan untuk produk yang terkait. **PENYALAHGUNAAN** atau kelalaian mematuhi kaidah keselamatan yang tertera dalam petunjuk ini dapat menyebabkan cedera badan serius.

DESKRIPSI FUNGSI

⚠ PERHATIAN:

- Selalu pastikan bahwa mesin dalam keadaan mati dan steker tercabut sebelum menyetel atau memeriksa kerja mesin.

KERJA saklar (Gb. 1)

⚠ PERHATIAN:

- Sebelum memasukkan steker, pastikan bahwa mesin dalam keadaan mati.
- Untuk menyalakan mesin, tekan sisi "I" pada saklar. Untuk mematikan mesin, tekan sisi "O" pada saklar.

PERAKITAN

⚠ PERHATIAN:

- Pastikan bahwa mesin dalam keadaan mati dan steker tercabut sebelum melakukan pekerjaan apapun pada mesin.

Memasang atau melepas kertas ampelas (Gb. 2, Gb. 3 & Gb. 4)

CATATAN:

- Gunakan kertas pasir tipe pengait Makita untuk mesin ampelas ini.

Untuk memasang kertas pasir:

- Posisikan mesin dengan sisi atasnya berada di bawah sehingga bantalan berada di atas.
- Posisikan kertas pasir sehingga sesuai dengan bentuk dudukan. Pastikan bahwa lubang pada kertas ampelas sejajar dengan lubang pada bantalan (debu akan terisap ke dalam lubang ini; oleh karena itu penting untuk membiarkannya terbuka).
- Tekan kuat-kuat kertas di atas bantalan.

Untuk melepas kertas pasir:

- Posisikan mesin dengan sisi atasnya berada di bawah sehingga kertas ampelas berada di atas.
- Pegang salahsatu sudut kertas ampelas, kupas dari bantalan.

CATATAN:

- Jika kondisi kertas ampelas masih bagus, simpan untuk digunakan lagi.

Saat mengampelas area yang sempit dan sulit dijangkau (misalnya daun jendela, kerai, jalur hias jendela), pasang kertas ampelas berbentuk kerucut pada bagian ujung bantalan (bawah dan atas). Untuk mengampelas bahan yang tipis, lipat kertas ampelas dan pasang pada sisi bantalan seperti ditunjukkan pada gambar.

Kantong debu (aksesori) (Gb. 5)

Penggunaan kantong debu membuat pekerjaan pengampelasan menjadi bersih dan mempermudah pengumpulan debu. Untuk memasang kantong debu, pasang saluran masuk kantong pada pipa debu mesin. Pastikan bahwa lubang saluran masuk kantong berada sedikit di atas tonjolan seperti jerawat pada pipa debu. Untuk mendapatkan hasil yang terbaik, kosongkan kantong debu ketika kira-kira separuh penuh, tutup perlahan untuk membuang debu sebanyak mungkin.

Memasang kantong debu kertas (pilihan aksesori)

Posisikan kantong debu kertas pada pemegang kantong debu kertas dengan sisi depannya menghadap ke atas. Masukkan papan pemasang bagian depan dari kantong debu kertas ke dalam alur pemegang kantong debu kertas. (Gb. 6)

Lalu tekan bagian atas papan pemasang bagian depan sesuai arah panah untuk mengaitekannya pada penjepit. (Gb. 7)

Masukkan takik kantong debu kertas ke dalam pemandu pemegang kantong debu kertas. Lalu pasang set pemegang kantong debu kertas pada mesin. (Gb. 8 & Gb. 9)

PENGUNAAN

Pekerjaan pengampelasan (Gb. 10)

⚠ PERHATIAN:

- Jangan sekali-kali menjalankan mesin tanpa kertas ampelas. Anda dapat merusak landasan dengan serius.
- Jangan sekali-kali menekan mesin. Tekanan yang berlebihan dapat menurunkan efisiensi pengampelasan, merusak kertas ampelas dan/atau memperpendek usia pakai mesin.

Pegang mesin kuat-kuat. Nyalakan mesin dan tunggu sampai mencapai kecepatan penuh. Kemudian sentuhkan mesin pada permukaan benda kerja dengan hati-hati. Mesin ampelas halus umumnya digunakan untuk membuang bahan hanya sebagian kecil secara sekaligus. Karena kualitas permukaan lebih penting daripada jumlah bahan yang dibuang, jangan terlalu menekan mesin. Jaga agar landasan selalu tepat posisinya pada benda kerja.

PERAWATAN

⚠ PERHATIAN:

- Selalu pastikan bahwa mesin dimatikan dan steker dicabut sebelum melakukan pemeriksaan atau perawatan.
- Jangan sekali-kali menggunakan bensin, tiner, alkohol, atau bahan sejenisnya. Penggunaan bahan demikian dapat menyebabkan perubahan warna, perubahan bentuk atau timbulnya retakan.

Untuk menjaga KEAMANAN dan KEANDALAN mesin, perbaikan, pemeriksaan dan penggantian sikat karbon, serta perawatan atau penyetulan lain harus dilakukan oleh Pusat Layanan Resmi Makita, selalu gunakan suku cadang pengganti buatan Makita.

PILIHAN AKSESORI

⚠ PERHATIAN:

- Dianjurkan untuk menggunakan aksesori atau perangkat tambahan ini dengan mesin Makita Anda yang ditentukan dalam petunjuk ini. Penggunaan aksesori atau perangkat tambahan lain bisa menyebabkan risiko cedera pada manusia. Hanya gunakan aksesori atau perangkat tambahan sesuai dengan peruntukannya.

Jika Anda memerlukan bantuan lebih rinci berkenaan dengan aksesori ini, tanyakan pada Pusat Layanan Makita terdekat.

- Kertas ampelas (tanpa lubang yang tersedia)
- Kantong debu kertas
- Pemegang kantong debu kertas
- Pelat pelubang
- Kantong debu

CATATAN:

- Beberapa item dalam daftar tersebut mungkin sudah termasuk dalam paket mesin sebagai aksesori standar. Hal tersebut dapat berbeda dari satu negara ke negara lainnya.

TIẾNG VIỆT

Giải thích về hình vẽ tổng thể

- | | | |
|---------------------|-------------------------------------|---------------|
| 1. Công tắc | 5. Rãnh | 9. Phần trên |
| 2. Giấy nhám Velcro | 6. Tấm bia cố định phía trước | 10. Rãnh khía |
| 3. Đế | 7. Mặt trước túi chứa bụi bằng giấy | 11. Chốt dẫn |
| 4. Túi chứa bụi | 8. Bộ phận kẹp | |

THÔNG SỐ KỸ THUẬT

Kiểu	BO4565
Kích thước mặt đệm	112 mm x 190 mm
Số vòng xoay mỗi phút (min ⁻¹)	14.000
Kích thước (Dài x Rộng x Cao)	219 mm x 112 mm x 139 mm
Khối lượng tịnh	1,2 kg
Cấp độ an toàn	□/II

- Do chương trình nghiên cứu và phát triển liên tục của chúng tôi nên các thông số kỹ thuật trong đây có thể thay đổi mà không cần thông báo trước.
- Các thông số kỹ thuật có thể thay đổi tùy theo từng quốc gia.
- Khối lượng tùy theo Quy trình EPTA tháng 01/2014

END201-7

GEA012-2

Ký hiệu

Phần dưới đây cho biết các ký hiệu được dùng cho thiết bị. Đảm bảo rằng bạn hiểu rõ ý nghĩa của các ký hiệu này trước khi sử dụng.



..... Đọc tài liệu hướng dẫn.



..... CÁCH ĐIỆN CẤP 2



..... Chỉ dành cho các quốc gia EU
Không tháo bỏ thiết bị điện hoặc bộ pin cùng với các chất thải sinh hoạt!
Để tuân thủ Chỉ thị của Châu Âu về thiết bị điện và điện tử thải bỏ, và thi hành những chỉ thị này phù hợp với luật lệ quốc gia, thiết bị điện tử không còn sử dụng được nữa phải được thu nhặt riêng và đưa trở lại một cơ sở tái chế tương thích với môi trường.

ENE052-1

Mục đích sử dụng

Dụng cụ này được dùng để đánh bóng bề mặt lớn bằng các loại vật liệu gỗ, nhựa và kim loại cũng như các bề mặt đã sơn sơn phủ.

ENF002-2

Nguồn cấp điện

Dụng cụ này chỉ được nối với nguồn cấp điện có điện áp giống như đã chỉ ra trên biển tên và chỉ có thể được vận hành trên nguồn điện AC một pha. Chúng được cách điện hai lớp và do đó cũng có thể được sử dụng từ các ổ cắm điện không có dây tiếp đất.

Cảnh báo an toàn chung dành cho dụng cụ máy

⚠ CẢNH BÁO: Xin đọc tất cả các cảnh báo an toàn, hướng dẫn, minh họa và thông số kỹ thuật đi kèm với dụng cụ máy này. Việc không tuân theo các hướng dẫn được liệt kê dưới đây có thể dẫn đến điện giật, hỏa hoạn và/hoặc thương tích nghiêm trọng.

Lưu giữ tất cả cảnh báo và hướng dẫn để tham khảo sau này

Thuật ngữ “dụng cụ máy” trong các cảnh báo đề cập đến dụng cụ máy (có dây) được vận hành bằng nguồn điện chính hoặc dụng cụ máy (không dây) được vận hành bằng pin của bạn.

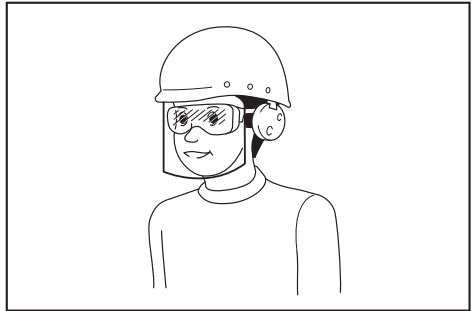
An toàn tại nơi làm việc

- Giữ nơi làm việc sạch sẽ và có đủ ánh sáng.**
Nơi làm việc bừa bộn hoặc tối thường dễ gây ra tai nạn.
- Không vận hành dụng cụ máy trong môi trường cháy nổ, ví dụ như môi trường có sự hiện diện của các chất lỏng, khí hoặc bụi dễ cháy.** Các dụng cụ máy tạo tia lửa điện có thể làm bụi hoặc khí bốc cháy.
- Giữ trẻ em và người ngoài tránh xa nơi làm việc khi đang vận hành dụng cụ máy.** Sự xao lãng có thể khiến bạn mất khả năng kiểm soát.

An toàn về Điện

- Phích cắm của dụng cụ máy phải khớp với ổ cắm. Không được sửa đổi phích cắm theo bất kỳ cách nào. Không sử dụng bất kỳ phích chuyên đổi nào với các dụng cụ máy được nối đất (tiếp đất).** Các phích cắm còn nguyên vẹn và ổ cắm phù hợp sẽ giảm nguy cơ điện giật.

2. **Tránh để cơ thể tiếp xúc với các bề mặt nóng đất hoặc tiếp đất như đường ống, bộ tản nhiệt, bếp ga và tủ lạnh.** Nguy cơ bị điện giật sẽ tăng lên nếu cơ thể bạn được nối đất hoặc tiếp đất.
3. **Không để dụng cụ máy tiếp xúc với mưa hoặc trong điều kiện ẩm ướt.** Nước lọt vào dụng cụ máy sẽ làm tăng nguy cơ điện giật.
4. **Không lạm dụng dây điện.** Không được phép sử dụng dây để mang, kéo hoặc tháo phích cắm dụng cụ máy. Giữ dây tránh xa nguồn nhiệt, dầu, các mép sắc hoặc các bộ phận chuyển động. Dây bị hỏng hoặc bị rối sẽ làm tăng nguy cơ điện giật.
5. **Khi vận hành dụng cụ máy ngoài trời, hãy sử dụng dây kéo dài phù hợp cho việc sử dụng ngoài trời.** Việc dùng dây phù hợp cho việc sử dụng ngoài trời sẽ giảm nguy cơ điện giật.
6. **Nếu bắt buộc phải vận hành dụng cụ máy ở nơi ẩm ướt, hãy sử dụng nguồn cấp điện được bảo vệ bằng thiết bị ngắt dòng điện rò (RCD).** Việc sử dụng RCD sẽ làm giảm nguy cơ điện giật.
7. **Chúng tôi luôn khuyên bạn sử dụng nguồn cấp điện qua thiết bị RCD có thể ngắt dòng điện rò định mức 30 mA hoặc thấp hơn.**
8. **Các dụng cụ máy có thể tạo ra từ trường điện (EMF) có hại cho người dùng.** Tuy nhiên, người dùng máy trợ tim và những thiết bị y tế tương tự khác nên liên hệ với nhà sản xuất thiết bị y tế/hoặc bác sỹ để được tư vấn trước khi vận hành dụng cụ này.
9. **Không chạm vào đầu cắm điện bằng tay ướt.**
10. **Nếu dây bị hỏng, hãy nhờ nhà sản xuất hoặc đại lý thay dây mới để tránh nguy hiểm về an toàn.**
7. **Nếu các thiết bị được cung cấp để kết nối các thiết bị thu gom và hút bụi, hãy đảm bảo chúng được kết nối và sử dụng hợp lý.** Việc sử dụng thiết bị thu gom bụi có thể làm giảm những mối nguy hiểm liên quan đến bụi.
8. **Không vi phạm thuộc do thường xuyên sử dụng các dụng cụ mà cho phép bạn trở nên tự mãn và bỏ qua các nguyên tắc an toàn dụng cụ.** Một hành động bất cẩn có thể gây ra thương tích nghiêm trọng trong một phần của một giây.
9. **Luôn luôn mang kính bảo hộ để bảo vệ mắt khỏi bị thương khi đang sử dụng các dụng cụ máy. Kính bảo hộ phải tuân thủ các tiêu chuẩn ANSI Z87.1 ở Mỹ, EN 166 ở Châu Âu, hoặc AS/NZS 1336 ở Úc/New Zealand. Tại Úc/New Zealand, theo luật pháp, bạn cũng phải mang mặt nạ che mặt để bảo vệ mặt.**



Trách nhiệm của chủ lao động là bắt buộc người vận hành dụng cụ và những người khác trong khu vực làm việc cạnh đó phải sử dụng các thiết bị bảo hộ an toàn thích hợp.

An toàn Cá nhân

1. **Luôn tỉnh táo, quan sát những việc bạn đang làm và sử dụng những phán đoán theo kinh nghiệm khi vận hành dụng cụ máy.** Không sử dụng dụng cụ máy khi bạn đang mệt mỏi hoặc chịu ảnh hưởng của ma túy, rượu hay thuốc. Chỉ một khoảng khắc không tập trung khi đang vận hành dụng cụ máy cũng có thể dẫn đến thương tích cá nhân nghiêm trọng.
2. **Sử dụng thiết bị bảo hộ cá nhân.** Luôn đeo thiết bị bảo vệ mắt. Các thiết bị bảo hộ như mặt nạ chống bụi, giày an toàn chống trượt, mũ bảo hộ hay thiết bị bảo vệ thính giác được sử dụng trong các điều kiện thích hợp sẽ giúp giảm thương tích cá nhân.
3. **Tránh vô tình khởi động dụng cụ máy. Đảm bảo công tắc ở vị trí off (tắt) trước khi nối nguồn điện và/hoặc bộ pin, cắm hoặc di chuyển dụng cụ máy.** Việc di chuyển dụng cụ máy khi đang đặt ngón tay ở vị trí công tắc hoặc cấp điện cho dụng cụ máy đang bật thường dễ gây ra tai nạn.
4. **Tháo tất cả các khóa hoặc cờ lê điều chỉnh trước khi bật dụng cụ máy.** Việc cờ lê hoặc khóa vẫn còn gắn vào bộ phận quay của dụng cụ máy có thể dẫn đến thương tích cá nhân.
5. **Không với quá cao. Luôn giữ thăng bằng tốt và có chỗ để chân phù hợp.** Điều này cho phép điều khiển dụng cụ máy tốt hơn trong những tình huống bất ngờ.
6. **Ăn mặc phù hợp. Không mặc quần áo rộng hay đeo đồ trang sức.** Giữ tóc và quần áo tránh xa các bộ phận chuyển động. Quần áo rộng, đồ trang sức hay tóc dài có thể mắc vào các bộ phận chuyển động.

Sử dụng và bảo quản dụng cụ máy

1. **Không dùng lực đối với dụng cụ máy.** Sử dụng đúng dụng cụ máy cho công việc của bạn. Sử dụng đúng dụng cụ máy sẽ giúp thực hiện công việc tốt hơn và an toàn hơn theo giá trị định mức được thiết kế của dụng cụ máy đó.
2. **Không sử dụng dụng cụ máy nếu công tắc không bật và tắt được dụng cụ máy đó.** Mọi dụng cụ máy không thể điều khiển được bằng công tắc đều rất nguy hiểm và phải được sửa chữa.
3. **Rút phích cắm ra khỏi nguồn điện và/hoặc tháo kết nối bộ pin khỏi dụng cụ máy, nếu có thể tháo rời trước khi thực hiện bất kỳ công việc điều chỉnh, thay đổi phụ tùng hay cất giữ dụng cụ máy nào.** Những biện pháp an toàn phòng ngừa này sẽ giảm nguy cơ vô tình khởi động dụng cụ máy.
4. **Cất giữ các dụng cụ máy không sử dụng ngoài tầm với của trẻ em và không cho bất kỳ người nào không có hiểu biết về dụng cụ máy hoặc các hướng dẫn này vận hành dụng cụ máy.** Dụng cụ này sẽ rất nguy hiểm nếu được sử dụng bởi những người dùng chưa qua đào tạo.
5. **Bảo dưỡng dụng cụ máy và các phụ kiện. Kiểm tra tình trạng lịch thực hoặc bó kẹp của các bộ phận chuyển động, hiện tượng nứt vỡ của các bộ phận hoạt động của dụng cụ máy.** Nếu có hỏng hóc, hãy sửa chữa dụng cụ máy trước khi sử dụng. Nhiều tai nạn xảy ra là do không bảo quản tốt dụng cụ máy.

6. Luôn giữ cho dụng cụ cắt được sắc bén và sạch sẽ. Những dụng cụ cắt được bảo quản tốt có mép cắt sắc sẽ ít bị kẹt hơn và dễ điều khiển hơn.
7. Sử dụng dụng cụ máy, phụ tùng và đầu dụng cụ cắt, v.v... theo các hướng dẫn này, có tính đến điều kiện làm việc và công việc được thực hiện. Việc sử dụng dụng cụ máy cho các công việc khác với công việc dự định có thể gây nguy hiểm.
8. Giữ tay cầm và bề mặt tay cầm khô, sạch, không dính dầu và mỡ. Tay cầm trơn trượt và bề mặt tay cầm không cho phép xử lý an toàn và kiểm soát dụng cụ trong các tình huống bất ngờ.
9. Khi sử dụng dụng cụ, không được đi giày tay lao động bằng vải, có thể bị vướng. Việc giày tay lao động bằng vải vướng vào các bộ phận chuyển động có thể gây ra thương tích cá nhân.

Bảo dưỡng

1. Để nhân viên sửa chữa đủ trình độ bảo dưỡng dụng cụ máy của bạn và chỉ sử dụng các bộ phận thay thế đồng nhất. Việc này sẽ đảm bảo duy trì được độ an toàn của dụng cụ máy.
2. Tuân theo hướng dẫn dành cho việc bôi trơn và thay phụ tùng.

GEB021-4

CẢNH BÁO AN TOÀN ĐỐI VỚI MÁY ĐÁNH NHÁM

1. Luôn sử dụng găng tay hoặc kính bảo hộ. Mắt thường hoặc kính râm KHÔNG phải là loại kính an toàn.
2. Cầm chắc dụng cụ.
3. Không để mặc dụng cụ hoạt động. Chỉ vận hành dụng cụ khi cầm trên tay.
4. Dụng cụ này không được chống thấm, do đó không được dùng nước cho bề mặt gia công.
5. Cần thông thoáng phù hợp cho khu vực làm việc khi bạn thực hiện thao tác đánh nhám.
6. Một số vật liệu có chứa các hóa chất có thể rất độc hại. Phải cẩn trọng tránh hít phải bụi và tiếp xúc với da. Tuân theo các thông tin về an toàn của nhà cung cấp đối với mỗi loại vật liệu.
7. Sử dụng dụng cụ này để đánh nhám một số sản phẩm, sơn và gỗ có thể làm người dùng tiếp xúc với bụi có chứa các chất nguy hiểm. Sử dụng biện pháp bảo vệ đường hô hấp phù hợp.
8. Đảm bảo rằng tấm đệm không bị nứt hoặc bể trước khi sử dụng. Các vết nứt hoặc bể có thể gây thương tích cho người.

LƯU GIỮ CÁC HƯỚNG DẪN NÀY.

⚠ CẢNH BÁO:

KHÔNG được để sự thoải mái hay quen thuộc với sản phẩm (có được do sử dụng nhiều lần) thay thế việc tuân thủ nghiêm ngặt các quy định về an toàn dành cho sản phẩm này. VIỆC DÙNG SAI hoặc không tuân theo các quy định về an toàn được nêu trong tài liệu hướng dẫn này có thể dẫn đến thương tích cá nhân nghiêm trọng.

MÔ TẢ CHỨC NĂNG

⚠ CẢNH TRỌNG:

- Phải luôn đảm bảo rằng dụng cụ đã được tắt điện và ngắt kết nối trước khi chỉnh sửa hoặc kiểm tra chức năng của dụng cụ.

Hoạt động công tắc (Hình 1)

⚠ CẢNH TRỌNG:

- Trូវ ូវ khi cầm điện vào dụng cụ, luôn kiểm tra xem dụng cụ đã tắt chưa.

Để khởi động dụng cụ, bấm vào mặt "I" của công tắc. Để ngừng dụng cụ, bấm vào mặt "O" của công tắc.

LẮP RÁP

⚠ CẢNH TRỌNG:

- Luôn luôn đảm bảo rằng dụng cụ đã được tắt và tháo phích cắm trước khi dùng dụng cụ thực hiện bất cứ công việc nào.

Lắp hoặc tháo giấy nhám (Hình 2, Hình 3 & Hình 4)

LƯU Ý:

- Sử dụng giấy nhám cát Makita kiểu hook-and-loop với máy đánh nhám này.

Để gắn giấy nhám cát:

1. Đặt dụng cụ ngược xuống sao cho miếng đệm quay lên trên.
2. Định vị giấy nhám cát cho khớp với hình dạng của đế. Đảm bảo đã căn chỉnh các lỗ trên giấy nhám cát theo các lỗ trên tấm đặt (bụi sẽ được hút vào các lỗ này; do đó điều quan trọng là phải để chúng mờ).
3. Nhấn giấy thật chắc trên tấm đặt.

Để tháo giấy nhám cát:

1. Đặt dụng cụ ngược xuống sao cho giấy nhám cát quay lên trên.
2. Nắm lấy một góc giấy nhám cát, lật nó ra khỏi tấm đặt.

LƯU Ý:

- Nếu giấy nhám cát ở trong tình trạng tốt, hãy cất giữ để sử dụng tiếp.

Khi chà nhám ở những vị trí hẹp và khó tiếp cận (ví dụ cửa sập, tấm chắn, cửa thông hơi), hãy gắn giấy nhám hình trụ vào đầu tấm đệm (đỉnh hoặc đáy). Để chà nhám đầu vật liệu mỏng, hãy gập giấy nhám lại và gắn vào một cạnh của tấm đệm như hình minh họa.

Túi chứa bụi (phụ kiện) (Hình 5)

Sử dụng túi chứa bụi giúp cho các thao tác đánh nhám được sạch sẽ và dễ dàng thu gom bụi. Để gắn túi chứa bụi, gắn khít cổng vào của túi lên vòi xả bụi của dụng cụ.

Đảm bảo rằng lỗ trên cổng vào của túi nằm trên phần mấu lồi nhỏ ra trên vòi xả bụi.

Để có kết quả tốt nhất, hãy đổ hết bụi trong túi chứa bụi khi túi đầy được gắn một nửa, vỗ nhẹ để cho bụi rơi ra hết.

Lắp túi chứa bụi bằng giấy (phụ kiện)

Đặt túi chứa bụi bằng giấy vào khung đỡ túi chứa bụi với mặt trước hướng lên trên. Chèn tấm bìa cứng cố định mặt trước của túi chứa bụi bằng giấy vào trong rãnh của khung đỡ túi chứa bụi. **(Hình 6)**

Sau đó ấn phần phía trên của tấm bìa cố định phía trước theo chiều mũi tên để móc nó vào trong bộ phận kẹp.

(Hình 7)

Chèn rãnh khóa của túi chứa bụi bằng giấy vào trong cạnh dẫn của khung đỡ túi chứa bụi. Sau đó lắp bộ khung đỡ túi chứa bụi lên dụng cụ. **(Hình 8 & Hình 9)**

VẬN HÀNH

Thao tác đánh nhám (Hình 10)

⚠ CẢN TRỌNG:

- Không bao giờ cho dụng cụ chạy mà không có giấy nhám. Bạn có thể làm hỏng mặt đệm.
- Không bao giờ nhấn mạnh dụng cụ. Nhấn quá mạnh có thể làm giảm hiệu quả đánh nhám, làm hỏng giấy nhám và/hoặc làm giảm tuổi thọ dụng cụ.

Cầm chắc dụng cụ. Bật dụng cụ lên và chờ đến khi đạt tốc độ tối đa. Sau đó nhẹ nhàng đặt dụng cụ lên bề mặt gia công. Thông thường máy đánh nhám hoàn thiện được dùng để loại bỏ những mẫu nhỏ vật liệu nào đó. Do chất lượng của bề mặt thường quan trọng hơn phần thừa được loại bỏ, không được ấn nghiêng dụng cụ. Giữ cho phần đế luôn luôn ngang bằng với vật gia công.

BẢO TRÌ

⚠ CẢN TRỌNG:

- Hãy luôn chắc chắn rằng dụng cụ đã được tắt và ngắt kết nối trước khi cố gắng thực hiện việc kiểm tra hay bảo dưỡng.
- Không bao giờ dùng xăng, ét xăng, dung môi, cồn hoặc hóa chất tương tự. Có thể xảy ra hiện tượng mất màu, biến dạng hoặc nứt vỡ.

Để đảm bảo AN TOÀN và TIN CẬY của sản phẩm, việc sửa chữa hoặc bất cứ thao tác bảo trì, điều chỉnh nào đều phải được thực hiện bởi các Trung tâm Dịch vụ Được Ủy quyền của Makita (Makita Authorized Service Center), luôn sử dụng các phụ tùng thiết bị thay thế của Makita.

PHỤ KIỆN TÙNG CHỌN

⚠ CẢN TRỌNG:

- Các phụ kiện hoặc phụ tùng gắn thêm này được khuyến cáo sử dụng với dụng cụ Makita của bạn theo như quy định trong hướng dẫn này. Việc sử dụng bất cứ phụ kiện hoặc phụ tùng gắn thêm nào khác đều có thể gây ra rủi ro thương tích cho người. Chỉ sử dụng phụ kiện hoặc phụ tùng gắn thêm cho mục đích đã quy định sẵn của chúng.

Nếu bạn cần hỗ trợ để biết thêm chi tiết về những phụ kiện này, hãy liên hệ với Trung tâm Dịch vụ của Makita tại địa phương của bạn.

- Giấy nhám (không đục lỗ sẵn)
- Túi chứa bụi
- Khung đỡ túi chứa bụi bằng giấy
- Tấm đục
- Túi chứa bụi

LƯU Ý:

- Một vài mục trong danh sách có thể được bao gồm trong gói dụng cụ làm phụ kiện tiêu chuẩn. Các thông số kỹ thuật có thể thay đổi tùy theo từng quốc gia.

คำอธิบายของมุมมองทั่วไป

- | | | |
|--------------------------|--------------------------------|-------------|
| 1. สวิตช์ | 5. ร่อง | 9. ส่วนบน |
| 2. กระดาษทรายหลังสึกหลาด | 6. กระดาษแข็งยึดด้านหน้า | 10. ร่องบน |
| 3. ฐาน | 7. ด้านหน้าของดุมกระดาษดักฝุ่น | 11. ร่องน้ำ |
| 4. ดุมดักฝุ่น | 8. เชี่ยว | |

ข้อมูลจำเพาะ

รุ่น	BO4565
ขนาดแผ่นรอง	112 มม. x 190 มม.
อัตราการขัด (นาที่ ⁻¹)	14,000
ขนาด (ยาว x กว้าง x สูง)	219 มม. x 112 มม. x 139 มม.
น้ำหนักสุทธิ	1.2 กก.
มาตรฐานความปลอดภัย	☐/II

- เนื่องจากการค้นคว้าวิจัยและพัฒนาอย่างต่อเนื่อง ข้อมูลจำเพาะในเอกสารฉบับนี้อาจเปลี่ยนแปลงได้โดยไม่ต้องแจ้งให้ทราบล่วงหน้า
- ข้อมูลจำเพาะอาจแตกต่างกันไปในแต่ละประเทศ
- น้ำหนักตามข้อบังคับของ EPTA 01/2014

END201-7

ENE052-1

สัญลักษณ์

ต่อไปนี้เป็นสัญลักษณ์ที่ใช้สำหรับอุปกรณ์

โปรดศึกษาความหมายของสัญลักษณ์ให้เข้าใจก่อนการใช้งาน



.....อ่านคู่มือการใช้งาน



.....คนงานสองชั้น



.....สำหรับประเทศในสหภาพยุโรปเท่านั้นห้ามตั้ง
อุปกรณ์ไฟฟ้าหรือชุดแบตเตอรี่รวมกับขั้วเครื่อง
เรือนทั่วไป!

เพื่อให้เป็นไปตามกฎระเบียบของยุโรปเกี่ยวกับขั้ว
อะแดปเตอร์อุปกรณ์ไฟฟ้าและอิเล็กทรอนิกส์ และ
การปฏิบัติตามกฎหมายในประเทศ ต้องเก็บอุปกรณ์
ไฟฟ้าทั้งหมดอายุการใช้งานแล้วแยกต่างหาก
และส่งกลับไปยังศูนย์รีไซเคิลที่เป็นมิตรต่อสิ่งแวดล้อม

จุดประสงค์ของเครื่องมือ

เครื่องมือนี้ใช้สำหรับขัดผิวหน้าวัสดุไม้ พลาสติกและโลหะ ตลอดจน
พื้นผิวที่ทาสี

ENF002-2

แหล่งจ่ายไฟ

ควรเชื่อมต่อเครื่องมือกับแหล่งจ่ายไฟที่มีแรงดันไฟฟ้าตามที่ระบุไว้
ในป้ายข้อมูลของเครื่องมือ และจะต้องใช้ไฟฟ้ากระแสสลับแบบเฟส
เดียวเท่านั้น อุปกรณ์นี้ได้รับการคุ้มครองสองชั้นและสามารถใช้กับ
ปลั๊กไฟที่ไม่มีสายดินได้

GEA012-2

คำเตือนด้านความปลอดภัยของเครื่องมือ
ไฟฟ้าทั่วไป

⚠ คำเตือน: โปรดอ่านคำเตือนด้านความปลอดภัย คำแนะนำ
ภาพประกอบ และข้อมูลจำเพาะต่างๆ ที่ให้มาพร้อมกับเครื่องมือไฟฟ้านี้
อย่างละเอียด การไม่ปฏิบัติตามคำแนะนำดังต่อไปนี้ อาจส่งผลให้
เกิดไฟฟ้าช็อต ไฟไหม้ และ/หรือได้รับบาดเจ็บอย่างร้ายแรงได้

เก็บรักษาตำแหน่งและคำแนะนำทั้งหมดไว้ เป็นข้อมูลอ้างอิงในอนาคต

คำว่า “เครื่องมือไฟฟ้า” ในคำเตือนนี้หมายถึงเครื่องมือไฟฟ้า (มีสาย) ที่ทำงานโดยใช้กระแสไฟฟ้าหรือเครื่องมือไฟฟ้า (ไร้สาย) ที่ทำงานโดยใช้แบตเตอรี่

ความปลอดภัยของพื้นที่ทำงาน

1. ดูแลพื้นที่ทำงานให้มีความสะอาดและมีแสงไฟสว่าง พื้นที่กระจกกระจกหรือมิดที่บอบนำไปสู่การเกิดอุบัติเหตุได้
2. อย่าใช้งานเครื่องมือไฟฟ้าในสภาพที่อาจเกิดการระเบิด เช่น ในสถานที่ที่มีของเหลว ก๊าซ หรือฝุ่นผงที่มีคุณสมบัติไวไฟ เครื่องมือไฟฟ้าอาจสร้างประกายไฟและจุดชนวนฝุ่นผงหรือก๊าซดังกล่าว
3. ดูแลไม่ให้มีเด็ก หรือบุคคลอื่นอยู่ในบริเวณที่กำลังใช้เครื่องมือไฟฟ้า การมีสิ่งรบกวนสมาธิอาจทำให้คุณสูญเสียการควบคุม

ความปลอดภัยด้านไฟฟ้า

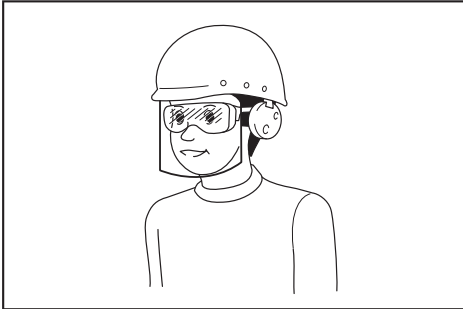
1. ปลั๊กของเครื่องมือไฟฟ้าต้องพอดีกับตัวรับ อย่าดัดแปลงปลั๊กไม่ว่ากรณีใดๆ อย่าใช้ปลั๊กอะแดปเตอร์กับเครื่องมือไฟฟ้าที่ต่อสายดิน ปลั๊กที่ไม่ถูกต้องและตัวรับที่เข้ากันพอดีจะช่วยลดความเสี่ยงของการเกิดไฟฟ้าช็อต
2. ระวังอย่าให้ร่างกายสัมผัสกับพื้นผิวที่ต่อสายดิน เช่น ท่อ เครื่องนำความร้อน เตาดูแล และตู้เย็น มีความเสี่ยงที่จะเกิดไฟฟ้าช็อตสูงขึ้น หากร่างกายของคุณสัมผัสกับพื้น
3. อย่าให้เครื่องมือไฟฟ้าถูกน้ำหรืออยู่ในสภาพเปียกชื้น น้ำที่ไหลเข้าไปในเครื่องมือไฟฟ้าจะเพิ่มความเสี่ยงของการเกิดไฟฟ้าช็อต
4. อย่าใช้สายไฟอย่างไม่เหมาะสม อย่าใช้สายไฟเพียงอก ดึง หรือถอดปลั๊กเครื่องมือไฟฟ้า เก็บสายไฟให้ห่างจากความร้อน น้ำมัน ของมีคม หรือชิ้นส่วนที่เคลื่อนที่ สายที่ชำรุดหรือพันกันจะเพิ่มความเสี่ยงของการเกิดไฟฟ้าช็อต
5. ขณะที่ใช้งานเครื่องมือไฟฟ้านอกอาคาร ควรใช้สายต่อพ่วงที่เหมาะสมกับภายนอกอาคาร การใช้สายที่เหมาะสมกับภายนอกอาคารจะลดความเสี่ยงของการเกิดไฟฟ้าช็อต
6. หากต้องใช้งานเครื่องมือไฟฟ้าในสถานที่เปียกชื้น ให้ใช้อุปกรณ์ป้องกันกระแสไฟฟ้า (RCD) การใช้ RCD จะลดความเสี่ยงของการเกิดไฟฟ้าช็อต
7. แนะนำให้ใช้แหล่งจ่ายไฟผ่าน RCD ที่มีกระแสไฟฟ้ารั่วในอัตราไม่เกิน 30 mA เสมอ
8. เครื่องมือไฟฟ้าอาจสร้างสนามแม่เหล็ก (EMF) ที่ไม่เป็นอันตรายต่อผู้ใช้ อย่างไรก็ตาม ผู้ใช้ที่ใส่เครื่องกระตุ้นหัวใจและอุปกรณ์ทางการแพทย์ที่คล้ายกันนี้ควรติดต่อผู้ผลิตอุปกรณ์และ/หรือแพทย์เพื่อรับคำแนะนำก่อนใช้งานเครื่องมือไฟฟ้านี้

9. อย่าจับปลั๊กไฟด้วยมือที่เปียก
10. หากสายไฟชำรุด โปรดให้ผู้ผลิตหรือตัวแทนของผู้ผลิตเปลี่ยนให้ เพื่อหลีกเลี่ยงอันตราย

ความปลอดภัยส่วนบุคคล

1. ให้ระมัดระวังและมีสติอยู่เสมอขณะใช้งานเครื่องมือไฟฟ้า ใช้งานเครื่องมือไฟฟ้าในขณะที่คุณกำลังเหนื่อย หรือในสภาพที่มีเมฆมากยาเสพติด เครื่องดื่ม แอลกอฮอล์ หรือการใช้จ่ายช่วงเวลาที่ขาดความระมัดระวังเมื่อกำลังใช้งานเครื่องมือไฟฟ้า อาจทำให้ได้รับบาดเจ็บร้ายแรง
2. ใช้อุปกรณ์ป้องกันส่วนบุคคล สวมแว่นตาป้องกันเสมอ อุปกรณ์ป้องกัน เช่น หน้ากากกันฝุ่น รองเท้านิรภัยกันลื่น หมวกนิรภัย หรือเครื่องป้องกันการได้ยินที่ใช้ในสภาพที่เหมาะสมจะช่วยลดการบาดเจ็บ
3. ป้องกันไม่ให้เกิดการเปิดใช้งานโดยไม่ตั้งใจ ตรวจสอบให้แน่ใจว่าสวิตช์ปิดอยู่ก่อนที่จะเชื่อมต่อกับแหล่งจ่ายไฟ และ/หรือชุดแบตเตอรี่ รวมทั้งตรวจสอบก่อนการยกหรือเคลื่อนย้ายเครื่องมือ การถอดนิ้วมือบริเวณสวิตช์เพื่อถือเครื่องมือไฟฟ้า หรือการชาร์จไฟเครื่องมือไฟฟ้าในขณะที่เปิดสวิตช์อยู่อาจนำไปสู่การเกิดอุบัติเหตุ
4. นำถุงมือปรับตั้งหรือประแจออกก่อนที่จะเปิดเครื่องมือไฟฟ้า ประแจหรือถุงมือที่เสียบค้างอยู่ในชิ้นส่วนที่หมุนได้ของเครื่องมือไฟฟ้าอาจทำให้ได้รับบาดเจ็บ
5. อย่าทำงานในระบะที่สุดเอื้อม จัดท่าการยืนและการทรงตัวให้เหมาะสมตลอดเวลา เพราะจะทำให้ควบคุมเครื่องมือไฟฟ้าได้ดีขึ้นในสถานการณ์ที่ไม่คาดคิด
6. แต่งกายให้เหมาะสม อย่าสวมเครื่องแต่งกายที่หลวมเกินไป หรือสวมเครื่องประดับ ดูแลไม่ให้เส้นผมและเสื้อผ้าอยู่ใกล้ชิ้นส่วนที่เคลื่อนที่ เลือ่างผู้รุ่มร่าม เครื่องประดับ หรือผมที่มีความยาวอาจเข้าไปติดในชิ้นส่วนที่เคลื่อนที่
7. หากมีการจับอุปกรณ์สำหรับดูดและจัดเก็บฝุ่นไว้ในสถานที่ ให้ตรวจสอบว่าได้เชื่อมต่อกับและใช้งานอุปกรณ์นั้นอย่างเหมาะสม การใช้เครื่องดูดและจัดเก็บฝุ่นจะช่วยลดอันตรายที่เกิดจากฝุ่นผงได้
8. อย่าให้ความคุ้นเคยจากการใช้งานเครื่องมือเป็นประจำทำให้คุณทำตามสบายและละเลยหลักการเพื่อความปลอดภัยในการใช้เครื่องมือ การกระทำที่ไม่ระมัดระวังอาจทำให้เกิดการบาดเจ็บร้ายแรงภายในเสี้ยววินาที

- สวมใส่แว่นครอบตานิรภัยเพื่อปกป้องดวงตาของคุณจากการบาดเจ็บเมื่อใช้เครื่องมือไฟฟ้า แว่นครอบตาจะต้องได้มาตรฐาน ANSI Z87.1 ในสหรัฐฯ, EN 166 ในยุโรป หรือ AS/NZS 1336 ในออสเตรเลีย/นิวซีแลนด์ ในออสเตรเลีย/นิวซีแลนด์ จะต้องสวมเกราะป้องกันใบหน้าเพื่อปกป้องใบหน้าของคุณอย่างถูกต้อง



ต้องตามกฎหมายด้วยผู้ว่าจ้างมีหน้าที่รับผิดชอบในการบังคับผู้ใช้งานเครื่องมือและบุคคลอื่นๆ ที่อยู่ในบริเวณที่ปฏิบัติงานให้ใช้อุปกรณ์ป้องกันที่เหมาะสม

การใช้และดูแลเครื่องมือไฟฟ้า

- อย่าฝืนใช้เครื่องมือไฟฟ้า ใช้เครื่องมือไฟฟ้าที่เหมาะสมกับการใช้งานของคุณ เครื่องมือไฟฟ้าที่เหมาะสมจะทำให้ได้งานที่มีประสิทธิภาพและปลอดภัยกว่าตามขีดความสามารถของเครื่องที่ได้รับการออกแบบมา
- อย่าใช้เครื่องมือไฟฟ้า หากสวิตช์ไม่สามารถเปิดปิดได้ เครื่องมือไฟฟ้าที่ควบคุมด้วยสวิตช์ไม่ได้เป็นสิ่งอันตรายและต้องได้รับการซ่อมแซม
- ถอดปลั๊กจากแหล่งจ่ายไฟ และ/หรือชุดแบตเตอรี่ออกจากเครื่องมือไฟฟ้าก่อนทำการปรับตั้ง เปลี่ยนอุปกรณ์เสริม หรือจัดเก็บเครื่องมือไฟฟ้า วิธีการป้องกันด้านความปลอดภัยดังกล่าวจะช่วยลดความเสี่ยงในการเปิดใช้งานเครื่องมือไฟฟ้าโดยไม่ได้ตั้งใจ
- จัดเก็บเครื่องมือไฟฟ้าที่ไม่ได้ใช้งานให้ห่างจากมือเด็ก และอย่าอนุญาตให้บุคคลที่ไม่คุ้นเคยกับเครื่องมือไฟฟ้าหรือคำแนะนำเหล่านี้ใช้งานเครื่องมือไฟฟ้า เครื่องมือไฟฟ้าจะเป็นอันตรายเมื่ออยู่ในมือของผู้ที่ไม่ได้รับการฝึกอบรม
- บำรุงรักษาเครื่องมือไฟฟ้าและอุปกรณ์เสริม ตรวจสอบการประกอบที่ไม่ถูกต้องหรือการเชื่อมต่อของชิ้นส่วนที่เคลื่อนที่ การแตกหักของชิ้นส่วน หรือสภาพอื่นๆ ที่อาจส่งผลกระทบต่อการทำงานของเครื่องมือไฟฟ้า หากมีความเสียหาย ให้นำเครื่องมือไฟฟ้าไปซ่อมแซมก่อนการใช้งาน อุบัติเหตุจำนวนมากเกิดจากการดูแลรักษาเครื่องมือไฟฟ้าอย่างไม่ถูกต้อง

- ทำความสะอาดเครื่องมือตัดและลับให้คมอยู่เสมอ เครื่องมือการตัดที่มีการดูแลอย่างถูกต้องและมีขอบการตัดคมมักจะแก้ปัญหาตัดขัดน้อยและควบคุมได้ง่ายกว่า
- ใช้เครื่องมือไฟฟ้า อุปกรณ์เสริม และวัสดุสิ้นเปลือง ฯลฯ ตามคำแนะนำดังกล่าว พิจารณาสภาพการทำงานและงานที่จะลงมือทำ การใช้เครื่องมือไฟฟ้าเพื่อทำงานอื่นนอกเหนือจากที่กำหนดไว้อาจทำให้เกิดอันตราย
- ดูเครื่องมือจับและบริเวณมือจับให้แห้ง สะอาด และไม่มีน้ำมันและจาระบีเปื้อน มือจับและบริเวณมือจับที่ลื่นจะทำให้ไม่สามารถจับและควบคุมเครื่องมือได้อย่างปลอดภัยในสถานการณ์ที่ไม่คาดคิด
- ขณะใช้งานเครื่องมือ อย่าสวมใส่ถุงมือที่อาจเข้าไปติดในเครื่องมือได้ หากถุงมือผ้าเข้าไปติดในชิ้นส่วนที่กำลังเคลื่อนที่ อาจทำให้ได้รับบาดเจ็บ

การซ่อมบำรุง

- นำเครื่องมือไฟฟ้าเข้ารับบริการจากช่างซ่อมที่ผ่านการรับรองโดยช่างมืออาชีพแบบเดียวกันเท่านั้น เพราะจะทำให้การใช้เครื่องมือไฟฟ้ามีความปลอดภัย
- ปฏิบัติตามคำแนะนำในการหล่อลื่นและการเปลี่ยนอุปกรณ์เสริม

GEB021-4

คำเตือนด้านความปลอดภัยของเครื่องขัด

- สวมแว่นตานิรภัยหรือแว่นครอบตาเสมอ แว่นตาปกติหรือแว่นกันแดดไม่ใช่แว่นนิรภัย
- จับเครื่องมือให้แน่น
- อย่าปล่อยให้เครื่องมือทำงานค้างไว้ ใช้งานเครื่องมือในขณะที่ถืออยู่เท่านั้น
- เครื่องมือนี้ไม่กันน้ำ ดังนั้นอย่าใช้น้ำบนพื้นผิวของชิ้นงาน
- พื้นที่ทำงานต้องมีการระบายอากาศอย่างเพียงพอเมื่อคุณทำการขัด
- วัสดุบางอย่างอาจมีสารเคมีที่เป็นพิษ ระวังอย่าสูดดมฝุ่นหรือให้สารเหล่านั้นสัมผัสกับร่างกาย ปฏิบัติตามข้อมูลด้านความปลอดภัยของผู้ผลิตวัสดุ
- การใช้เครื่องมือนี้ขัดผลึกกันซ์ ซี หรือไม้บางชนิดอาจทำให้ผู้ใช้ได้รับฝุ่นที่ประกอบด้วยสารที่เป็นอันตราย ดังนั้นจึงควรใช้อุปกรณ์ช่วยหายใจที่เหมาะสม
- ตรวจสอบให้แน่ใจว่าไม่มีรอยร้าวหรือรอยแตกบนแผ่นรองก่อนการใช้งาน รอยร้าวหรือรอยแตกอาจทำให้เกิดการบาดเจ็บ

บันทึกคำแนะนำเหล่านี้

⚠ คำเตือน:

อย่าให้ความไม่ระมัดระวังหรือความคุ้นเคยกับผลิตภัณฑ์ (จากการใช้งานซ้ำหลายครั้ง) อยู่เหนือการปฏิบัติตามกฎเกณฑ์ด้านความปลอดภัยในการใช้งานผลิตภัณฑ์อย่างเคร่งครัด การปฏิบัติอย่างไม่เหมาะสมหรือการไม่ปฏิบัติตามกฎเกณฑ์ด้านความปลอดภัยในคู่มือใช้งานนี้อาจทำให้เกิดการบาดเจ็บอย่างรุนแรง

คำอธิบายการทำงาน

⚠ ข้อควรระวัง:

- ตรวจสอบให้แน่ใจว่าสวิตช์เครื่องมืออยู่ในตำแหน่งปิดเครื่อง และถอดปลั๊กเครื่องมือออกก่อนปรับตั้งหรือตรวจสอบการทำงานของเครื่องมือ

การทำงานของสวิตช์ (ภาพที่ 1)

⚠ ข้อควรระวัง:

- ก่อนเสียบปลั๊กเครื่องมือ ให้ตรวจสอบว่าสวิตช์เครื่องมืออยู่ในตำแหน่งปิดเครื่อง
- เปิดใช้เครื่องมือโดยกดที่ด้าน "I" ของสวิตช์ ถ้าต้องการเลิกใช้งานเครื่องมือ ให้กดที่ด้าน "O" ของสวิตช์

การประกอบ

⚠ ข้อควรระวัง:

- ตรวจสอบให้แน่ใจว่าสวิตช์เครื่องมืออยู่ในตำแหน่งปิดเครื่อง และถอดปลั๊กเครื่องมือออกก่อนดำเนินการใดๆ กับเครื่องมือ

การใส่และการถอดกระดาษขัด (ภาพที่ 2, ภาพที่ 3 และภาพที่ 4)

หมายเหตุ:

- ใช้กระดาษทรายหลังสักหลาดของ Makita กับเครื่องขัดกระดาษทรายรุ่นนี้

การติดตั้งกระดาษทราย:

1. หายเครื่องมือขึ้นเพื่อให้แผ่นรองอยู่ด้านบน
2. จัดตำแหน่งกระดาษทรายให้พอดีกับรูปร่างของฐาน ตรวจสอบให้แน่ใจว่าจัดมุมกระดาษทรายให้ตรงกับรูบนแผ่นรอง (แผ่นจะถูกดูดออกผ่านทางรูเหล่านี้ จึงสำคัญมากที่จะปล่อยให้รูเหล่านี้เปิดไว้)
3. กดกระดาษลงบนแผ่นรองให้แน่น

เพื่อถอดกระดาษทรายออก:

1. หายเครื่องมือขึ้นเพื่อให้กระดาษทรายอยู่ด้านบน
2. จับมุมหนึ่งของกระดาษทรายไว้แล้วลอกออกจากแผ่นรอง

หมายเหตุ:

- หากกระดาษทรายอยู่ในสภาพที่ดี ให้เก็บไว้ใช้ในครั้งต่อไป เมื่อทำการขัดบริเวณแคบๆ ที่ยากต่อการเข้าถึง (เช่น บานเกล็ด บังตา หรือช่องระบายอากาศ) ให้ติดตั้งกระดาษขัดรูปกรวยที่ส่วนปลายของแผ่นรอง (ด้านบนและด้านล่าง) วิธีการขัดขอบของวัสดุบางๆ ให้พับกระดาษขัดและติดเข้ากับด้านข้างของแผ่นรอง ตามรูป

ถุงดักฝุ่น (อุปกรณ์เสริม) (ภาพที่ 5)

การใช้ถุงดักฝุ่นทำให้การทำงานขัดมีความสะอาดและเก็บกวาดฝุ่นได้ง่าย เพื่อติดตั้งกระดาษขัด ให้สวมช่องเปิดบนถุงเข้ากับท่อปล่อยฝุ่นบนเครื่องมือ ตรวจสอบให้แน่ใจว่ารูที่อยู่บนช่องทางเข้าของถุงนั้นอยู่บนส่วนที่เป็นปุ่มเล็กๆ บนท่อปล่อยฝุ่น เพื่อให้ได้ผลดีที่สุด ให้ทำความสะอาดถุงดักฝุ่นเมื่อมีฝุ่นประมาณครึ่งหนึ่งของถุง โดยเคาะเบาๆ ให้ฝุ่นออกมามากที่สุด

การติดตั้งถุงกระดาษดักฝุ่น (อุปกรณ์เสริม)

วางถุงกระดาษดักฝุ่นไว้บนตัวจับกระดาษขัดโดยให้ด้านหน้าหงายขึ้น ใส่กระดาษขัดที่ยึดด้านหน้าของถุงกระดาษดักฝุ่นเข้าไปในร่องของตัวยึดถุงดักฝุ่น (ภาพที่ 6)

จากนั้นกดส่วนบนของกระดาษขัดที่ยึดหน้าถุงตามทิศทางของลูกศร ให้เกี่ยวข้องกับก้านเขี่ยยึด (ภาพที่ 7)

ใส่ร่องปากถุงกระดาษดักฝุ่นเข้าไปในร่องหน้าของตัวยึดถุงดักฝุ่น จากนั้นใส่ชุดยึดถุงกระดาษดักฝุ่นเข้ากับเครื่องมือ (ภาพที่ 8 และภาพที่ 9)

การใช้งาน

การขัด (ภาพที่ 10)

⚠ ข้อควรระวัง:

- ห้ามใช้เครื่องมือโดยที่ไม่มีกระดาษทราย เนื่องจากจะทำให้แผ่นรองเสียหายมาก
- อย่าใช้แรงกดบนเครื่องมือ เนื่องจากแรงกดที่มากเกินไปจะลดประสิทธิภาพการขัด ทำให้กระดาษทรายเสียหายและ/หรือลดอายุการใช้งานของเครื่องมือ

จับเครื่องมือให้แน่น เปิดสวิตช์เครื่องมือ และรอนจนกระทั่งทำงานด้วยความเร็วเต็มที่ จากนั้นค่อยๆ วางเครื่องมือบนพื้นผิวของชิ้นงาน โดยทั่วไปเครื่องขัดกระดาษทรายจะใช้สำหรับขัดผิววัสดุออกเพียงเล็กน้อยเท่านั้น เนื่องจากคุณภาพของพื้นผิวมีความสำคัญกว่าปริมาณของเนื้อวัสดุที่ขัดออก ดังนั้นอย่าใช้เครื่องมือขัดผิววัสดุออกมากจนเกินไป พยายามรักษาน้ำเร็วของชิ้นงานไว้ตลอดเวลา

การบำรุงรักษา

⚠️ ข้อควรระวัง:

- ตรวจสอบให้แน่ใจว่าได้ปิดสวิตช์เครื่องมือและถอดปลั๊กออกก่อนทำการตรวจสอบหรือบำรุงรักษา
- อย่าใช้น้ำมันเชื้อเพลิง เบนซิน ทินเนอร์ แอลกอฮอล์ หรือวัสดุประเภทเดียวกัน เพราะอาจทำให้เครื่องมือมีสีซีดจาง ผิดรูปทรงหรือแตกหักได้

เพื่อความปลอดภัยและความน่าเชื่อถือของผลิตภัณฑ์ ควรให้ศูนย์บริการที่ผ่านการรับรองจาก Makita เป็นผู้ดำเนินการซ่อมแซม ตรวจสอบและเปลี่ยนแปรงคาร์บอน บำรุงรักษา และทำการปรับตั้งอื่นๆ นอกจากนี้ให้ใช้อะไหล่ของแท้จาก Makita เสมอ

อุปกรณ์เสริม

⚠️ ข้อควรระวัง:

- ขอแนะนำให้ใช้เฉพาะอุปกรณ์เสริมหรืออุปกรณ์ต่อพ่วงเหล่านี้กับเครื่องมือ Makita ที่ระบุในคู่มือ การใช้อุปกรณ์เสริมหรืออุปกรณ์ต่อพ่วงอื่นๆ อาจมีความเสี่ยงที่จะได้รับบาดเจ็บ ใช้ อุปกรณ์เสริมหรืออุปกรณ์ต่อพ่วงตามวัตถุประสงค์ที่ระบุไว้เท่านั้น

หากคุณต้องการทราบรายละเอียดเกี่ยวกับอุปกรณ์เสริมเหล่านี้ โปรดสอบถามศูนย์บริการ Makita ใกล้บ้านคุณ

- กระดาษทราย (ไม่ได้เจาะรู)
- ลูกกระดาดดักฝุ่น
- ตัวยึดลูกกระดาดดักฝุ่น
- แทนเจาะรู
- ลูกดักฝุ่น

หมายเหตุ:

- อุปกรณ์บางรายการอาจจะรวมอยู่ในชุดอุปกรณ์พื้นฐานของผลิตภัณฑ์ ซึ่งอาจแตกต่างกันไปในแต่ละประเทศ

Makita Corporation

3-11-8, Sumiyoshi-cho,
Anjo, Aichi 446-8502 Japan

www.makita.com

884718C376