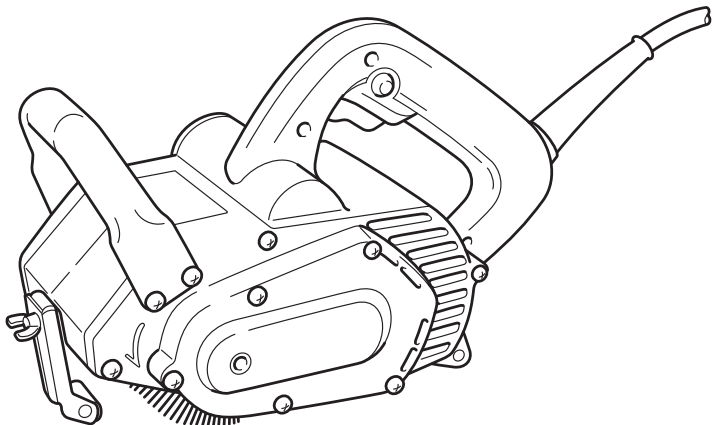
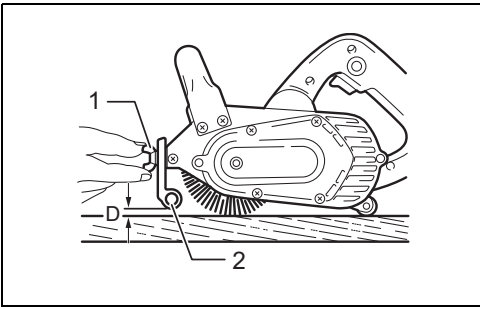




<b>GB</b>	Wheel Sander	Instruction manual
<b>ZHCN</b>	滚轮打磨机	使用说明书
<b>ID</b>	Mesin Ampelas Roda	Petunjuk penggunaan
<b>VI</b>	Máy Chà Nhám Ru Lô Cầm Tay Hoạt Động Bằng Động Cơ Điện	Tài liệu hướng dẫn
<b>TH</b>	เครื่องขัดแบบวงล้อ	คู่มือการใช้งาน

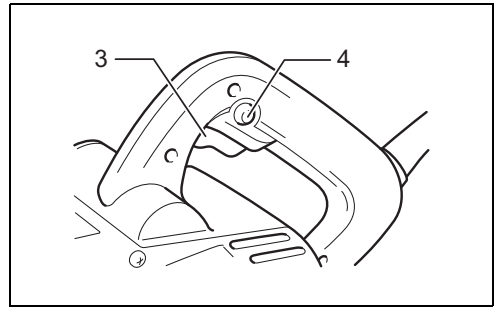
**9741**





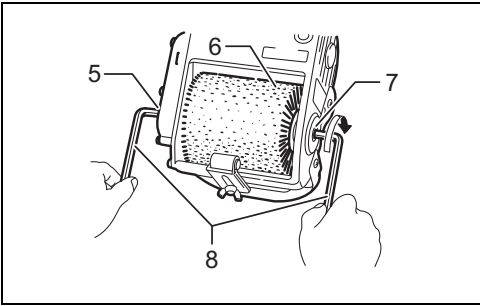
1

004566



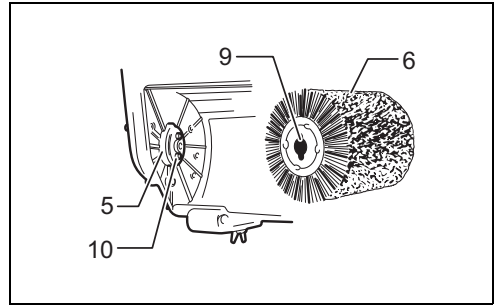
2

004567



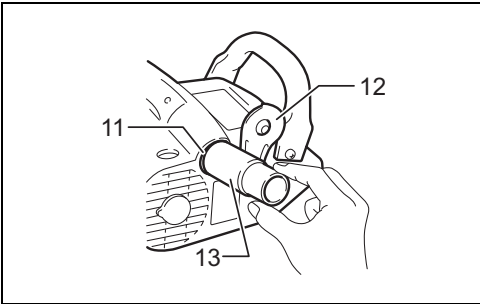
3

004568



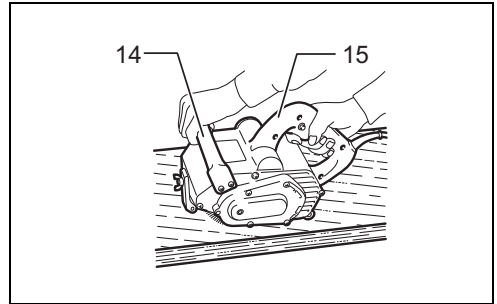
4

004569



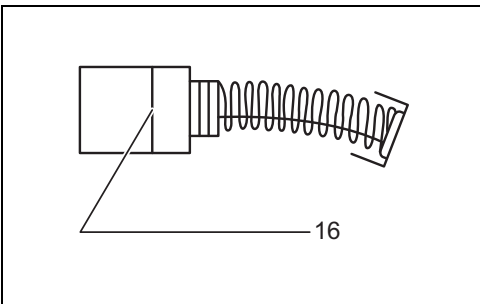
5

004570



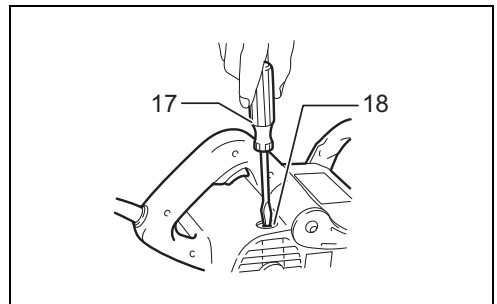
6

004571



7

001145



8

004572

## ENGLISH

### Explanation of general view

- |                   |                 |                      |
|-------------------|-----------------|----------------------|
| 1. Wing nut       | 7. Output shaft | 13. Joint            |
| 2. Front roller   | 8. Hex wrench   | 14. Grip             |
| 3. Switch trigger | 9. Notch        | 15. Handle           |
| 4. Lock button    | 10. Pin         | 16. Limit mark       |
| 5. Spindle        | 11. Dust port   | 17. Screwdriver      |
| 6. Wheel          | 12. Cover plate | 18. Brush holder cap |

## SPECIFICATIONS

Model	9741
Wheel size (Diameter x Width)	100 mm x 120 mm
No load speed (min <sup>-1</sup> )	3,500
Dimensions (L x W x H)	310 mm x 185 mm x 182 mm
Net weight	4.2 kg
Safety class	□/II

- Due to our continuing program of research and development, the specifications herein are subject to change without notice.
- Specifications may differ from country to country.
- Weight according to EPTA-Procedure 01/2014

END201-7

GEA012-2

## Symbols

The following show the symbols used for the equipment. Be sure that you understand their meaning before use.



.... Read instruction manual.



..... DOUBLE INSULATION



..... Only for EU countries  
Do not dispose of electric equipment together with household waste material! In observance of the European Directive, on Waste Electric and Electronic Equipment and its implementation in accordance with national law, electric equipment that have reached the end of their life must be collected separately and returned to an environmentally compatible recycling facility.

ENE053-1

## Intended use

The tool is intended for removing paint with slit paper wheel and fine metal cleaning with wire brush wheel.

## Power supply

The tool should be connected only to a power supply of the same voltage as indicated on the nameplate, and can only be operated on single-phase AC supply. They are double-insulated and can, therefore, also be used from sockets without earth wire.

ENF002-2

## General power tool safety warnings

**⚠ WARNING: Read all safety warnings, instructions, illustrations and specifications provided with this power tool.** Failure to follow all instructions listed below may result in electric shock, fire and/or serious injury.

## Save all warnings and instructions for future reference.

The term "power tool" in the warnings refers to your mains-operated (corded) power tool or battery-operated (cordless) power tool.

### Work area safety

1. **Keep work area clean and well lit.** Cluttered or dark areas invite accidents.
2. **Do not operate power tools in explosive atmospheres, such as in the presence of flammable liquids, gases or dust.** Power tools create sparks which may ignite the dust or fumes.
3. **Keep children and bystanders away while operating a power tool.** Distractions can cause you to lose control.

### Electrical Safety

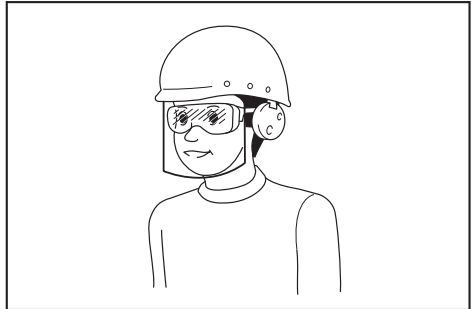
1. **Power tool plugs must match the outlet. Never modify the plug in any way. Do not use any adapter plugs with earthed (grounded) power tools.** Unmodified plugs and matching outlets will reduce risk of electric shock.

2. **Avoid body contact with earthed or grounded surfaces, such as pipes, radiators, ranges and refrigerators.** There is an increased risk of electric shock if your body is earthed or grounded.
3. **Do not expose power tools to rain or wet conditions.** Water entering a power tool will increase the risk of electric shock.
4. **Do not abuse the cord. Never use the cord for carrying, pulling or unplugging the power tool. Keep cord away from heat, oil, sharp edges or moving parts.** Damaged or entangled cords increase the risk of electric shock.
5. **When operating a power tool outdoors, use an extension cord suitable for outdoor use.** Use of a cord suitable for outdoor use reduces the risk of electric shock.
6. **If operating a power tool in a damp location is unavoidable, use a residual current device (RCD) protected supply.** Use of an RCD reduces the risk of electric shock.
7. **Use of power supply via an RCD with a rated residual current of 30 mA or less is always recommended.**
8. **Power tools can produce electromagnetic fields (EMF) that are not harmful to the user.**  
However, users of pacemakers and other similar medical devices should contact the maker of their device and/or doctor for advice before operating this power tool.
9. **Do not touch the power plug with wet hands.**
10. **If the cord is damaged, have it replaced by the manufacturer or his agent in order to avoid a safety hazard.**

#### Personal Safety

1. **Stay alert, watch what you are doing and use common sense when operating a power tool. Do not use a power tool while you are tired or under the influence of drugs, alcohol or medication.** A moment of inattention while operating power tools may result in serious personal injury.
2. **Use personal protective equipment. Always wear eye protection.** Protective equipment such as a dust mask, non-skid safety shoes, hard hat or hearing protection used for appropriate conditions will reduce personal injuries.
3. **Prevent unintentional starting. Ensure the switch is in the off-position before connecting to power source and/or battery pack, picking up or carrying the tool.** Carrying power tools with your finger on the switch or energising power tools that have the switch on invites accidents.
4. **Remove any adjusting key or wrench before turning the power tool on.** A wrench or a key left attached to a rotating part of the power tool may result in personal injury.
5. **Do not overreach. Keep proper footing and balance at all times.** This enables better control of the power tool in unexpected situations.
6. **Dress properly. Do not wear loose clothing or jewellery. Keep your hair and clothing away from moving parts.** Loose clothes, jewellery or long hair can be caught in moving parts.

7. **If devices are provided for the connection of dust extraction and collection facilities, ensure these are connected and properly used.** Use of dust collection can reduce dust-related hazards.
8. **Do not let familiarity gained from frequent use of tools allow you to become complacent and ignore tool safety principles.** A careless action can cause severe injury within a fraction of a second.
9. **Always wear protective goggles to protect your eyes from injury when using power tools. The goggles must comply with ANSI Z87.1 in the USA, EN 166 in Europe, or AS/NZS 1336 in Australia/New Zealand. In Australia/New Zealand, it is legally required to wear a face shield to protect your face, too.**



**It is an employer's responsibility to enforce the use of appropriate safety protective equipments by the tool operators and by other persons in the immediate working area.**

#### Power tool use and care

1. **Do not force the power tool. Use the correct power tool for your application.** The correct power tool will do the job better and safer at the rate for which it was designed.
2. **Do not use the power tool if the switch does not turn it on and off.** Any power tool that cannot be controlled with the switch is dangerous and must be repaired.
3. **Disconnect the plug from the power source and/or remove the battery pack, if detachable, from the power tool before making any adjustments, changing accessories, or storing power tools.** Such preventive safety measures reduce the risk of starting the power tool accidentally.
4. **Store idle power tools out of the reach of children and do not allow persons unfamiliar with the power tool or these instructions to operate the power tool.** Power tools are dangerous in the hands of untrained users.
5. **Maintain power tools and accessories. Check for misalignment or binding of moving parts, breakage of parts and any other condition that may affect the power tool's operation. If damaged, have the power tool repaired before use.** Many accidents are caused by poorly maintained power tools.

6. **Keep cutting tools sharp and clean.** Properly maintained cutting tools with sharp cutting edges are less likely to bind and are easier to control.
7. **Use the power tool, accessories and tool bits etc. in accordance with these instructions, taking into account the working conditions and the work to be performed.** Use of the power tool for operations different from those intended could result in a hazardous situation.
8. **Keep handles and grasping surfaces dry, clean and free from oil and grease.** Slippery handles and grasping surfaces do not allow for safe handling and control of the tool in unexpected situations.
9. **When using the tool, do not wear cloth work gloves which may be entangled.** The entanglement of cloth work gloves in the moving parts may result in personal injury.

#### Service

1. **Have your power tool serviced by a qualified repair person using only identical replacement parts.** This will ensure that the safety of the power tool is maintained.
2. **Follow instruction for lubricating and changing accessories.**

GEB146-1

## WHEEL SANDER SAFETY WARNINGS

1. **Hold the power tool by insulated gripping surfaces, because the wheel may contact its own cord.** Cutting a "live" wire may make exposed metal parts of the power tool "live" and could give the operator an electric shock.
2. **Always use safety glasses or goggles. Ordinary eye or sun glasses are NOT safety glasses.**
3. **Inspect for and remove foreign matter such as nails, screws, etc. from the workpiece surface before operation.**
4. **Secure the workpiece firmly.**
5. **Do not wear gloves during operation.**
6. **Hold the tool firmly with both hands.**
7. **Keep hands away from rotating parts.**
8. **Do not leave the tool running. Operate the tool only when hand-held.**
9. **Never attempt to use with the tool held upside down in a vise, etc.**
10. **Some material contains chemicals which may be toxic. Take caution to prevent dust inhalation and skin contact. Follow material supplier safety data.**
11. **Use of this tool to sand some products, paints and wood could expose user to dust containing hazardous substances. Use appropriate respiratory protection.**

## SAVE THESE INSTRUCTIONS.

#### WARNING:

**DO NOT** let comfort or familiarity with product (gained from repeated use) replace strict adherence to safety rules for the subject product. **MISUSE** or failure to follow the safety rules stated in this instruction manual may cause serious personal injury.

## FUNCTIONAL DESCRIPTION

#### CAUTION:

- Always be sure that the tool is switched off and unplugged before adjusting or checking function on the tool.

### Adjusting front roller (Fig. 1)

The front roller allows you to apply uniform pressure to the workpiece. To adjust the front roller, set the tool on a flat surface and loosen the wing nut. Adjust the front roller up or down until the clearance distance (D) is about 2 mm. Tighten the wing nut securely.

### Switch action (Fig. 2)

#### CAUTION:

- Before plugging in the tool, always check to see that the switch trigger actuates properly and returns to the "OFF" position when released.
- To start the tool, simply pull the switch trigger. Release the switch trigger to stop.
- For continuous operation, pull the switch trigger and then push in the lock button.
- To stop the tool from the locked position, pull the switch trigger fully, then release it.

## ASSEMBLY

#### CAUTION:

- Always be sure that the tool is switched off and unplugged before carrying out any work on the tool.

### Installing or removing wheel

To remove the wheel, insert one hex wrench into the end of the spindle and another hex wrench into the end of the output shaft. Turn the hex wrench in the output shaft clockwise while securely holding the hex wrench in the spindle so that the wheel cannot revolve. Pull the output shaft out from the wheel. Move the wheel slightly away from the spindle and remove the wheel from the tool. (Fig. 3)

#### NOTE:

- The output shaft has a left hand thread.
- To install the wheel, follow the removal procedures in reverse. When installing it, be sure to align the notches in the wheel with the pins on the spindle. (Fig. 4)

### Connecting to dust collector (Fig. 5)

The use of a dust collector makes sanding operations clean and dust collection easy. To connect a dust collector, open the dust port by sliding the cover plate up and in a clockwise direction. Attach the joint onto the dust port. Now a dust collector can be connected to this tool.

#### CAUTION:

- When not using a dust collector, close the dust port opening with the cover plate.

## OPERATION

Hold the tool firmly with both hands on the handle and the grip in front. Place the tool on the workpiece surface and move the tool gently forward and backward while applying slight downward pressure. (Fig. 6)

### CAUTION:

- The tool should not be in contact with the workpiece surface when you turn the tool on or off. Damage to the tool or the workpiece surface and injury to the operator may result.
- Apply slight downward pressure only. Excessive pressure may decrease tool efficiency, shorten wheel service life and possibly gouge the workpiece surface.

## MAINTENANCE

### CAUTION:

- Always be sure that the tool is switched off and unplugged before attempting to perform inspection or maintenance.
- Never use gasoline, benzine, thinner, alcohol or the like. Discoloration, deformation or cracks may result.

### Replacing carbon brushes

Remove and check the carbon brushes regularly. Replace when they wear down to the limit mark. Keep the carbon brushes clean and free to slip in the holders. Both carbon brushes should be replaced at the same time. Use only identical carbon brushes. (Fig. 7)

Use a screwdriver to remove the brush holder caps. Take out the worn carbon brushes, insert the new ones and secure the brush holder caps. (Fig. 8)

To maintain product SAFETY and RELIABILITY, repairs, any other maintenance or adjustment should be performed by Makita Authorized Service Centers, always using Makita replacement parts.

## OPTIONAL ACCESSORIES

### CAUTION:

- These accessories or attachments are recommended for use with your Makita tool specified in this manual. The use of any other accessories or attachments might present a risk of injury to persons. Only use accessory or attachment for its stated purpose.

If you need any assistance for more details regarding these accessories, ask your local Makita Service Center.

- Nylon brush wheel
- Slit paper wheel 120 - 40
- Wire brush wheel 120
- Cotton buff wheel 120
- Joint
- Hex wrench

### NOTE:

- Some items in the list may be included in the tool package as standard accessories. They may differ from country to country.

## 一般外观说明

- |         |         |           |
|---------|---------|-----------|
| 1. 蝶形螺母 | 7. 输出轴  | 13. 接头    |
| 2. 前辊轮  | 8. 六角扳手 | 14. 手柄    |
| 3. 开关扳机 | 9. 槽口   | 15. 把手    |
| 4. 锁定按钮 | 10. 插销  | 16. 界限磨损线 |
| 5. 主轴   | 11. 集尘口 | 17. 螺丝起子  |
| 6. 砂轮   | 12. 盖板  | 18. 碳刷夹盖  |

## 规格

型号	9741
砂轮尺寸 (直径 × 宽)	100 mm × 120 mm
空载速度 (/min)	3,500
尺寸 (长 × 宽 × 高)	310 mm × 185 mm × 182 mm
净重	4.2 kg
安全等级	回/II

- 由于持续的研发计划，生产者保留变更规格不另行通知之权利。
- 规格可能因销往国家之不同而异。
- 重量符合 EPTA-Procedure 01/2014

END201-7

ENF002-2

## 符号

以下显示本设备使用的符号。在使用工具之前请务必理解其含义。



... 阅读使用说明书。



..... 双重绝缘



..... 仅限于欧盟国家

请勿将电气设备与家庭普通废弃物一同丢弃！请务必遵守欧洲关于废弃电子电气设备的指令，根据各国法律法规执行。达到使用寿命的电气设备必须分类回收至符合环境保护规定的再循环机构。

ENE053-1

## 用途

本工具用于使用砂纸轮清除油漆和使用钢丝轮刷进行精细的金属清洁。

## 电源

本工具只可连接电压与铭牌所示电压相同的电源，且仅可使用单相交流电源。本工具双重绝缘，因此也可用于不带接地线的插座。

GEA012-2

## 电动工具一般安全警告

**△警告：请通读本电动工具附带的所有安全警告、说明、插图和规格。**若不遵循下列说明，则可能导致触电、起火和 / 或严重的人身伤害。

## 请保留所有的警告和说明事项，以备日后参考。

警告中所说的“电动工具”指用电源（接线式）或电池（充电式）驱动的电动工具。

### 工作区域安全事项

1. 保持工作区域清洁，照明情况良好。混乱或黑暗的工作区域容易招致意外情况发生。
2. 请勿在易爆环境，如有可燃性液体、气体或粉尘的环境下操作电动工具。电动工具产生的火花可能会引燃粉尘或气体。
3. 操作电动工具时请让儿童和旁观者远离。操作时的分心会使您无法正常控制工具。

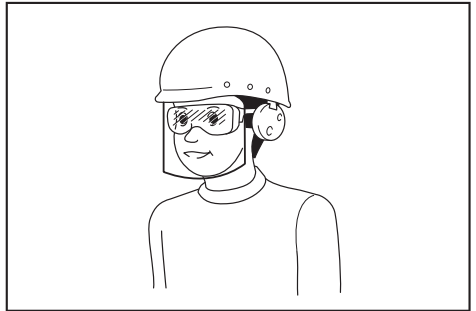
## 电气安全事项

1. 电动工具的插头必须与插座相匹配。切勿以任何方式对插头进行改装。请勿将任何适配器插头用于接地的电动工具。未经改装的插头和相匹配的插座可降低触电的危险。
2. 请避免与接地的表面如管子、散热器、炉灶以及冰箱等进行身体接触。如果您的身体接地，将会增加触电的危险。
3. 请勿将电动工具暴露在雨水或潮湿的环境中。水进入电动工具将增加触电的危险。
4. 请勿滥用导线。切勿用导线拖拽工具或拔下电动工具的插头。避免使导线受热、沾染油脂，碰到尖锐的边缘或移动的部件。破损或缠绕的导线会增加触电的危险。
5. 在户外操作电动工具时，请使用户外专用的延长线。使用户外专用的导线可降低触电的危险。
6. 如果必须要在潮湿的场所操作电动工具时，请使用带剩余电流装置（RCD）保护功能的电源。使用 RCD 可降低触电的危险。
7. 始终建议通过额定剩余电流为 30 mA 或以下的 RCD 来使用电源。
8. 电动工具会产生对用户无害的电磁场（EMF）。  
但是，起搏器和其他类似医疗设备的用户应在操作本电动工具前咨询其设备的制造商和 / 或医生寻求建议。
9. 请勿用湿手触摸电源插头。
10. 如果导线破损，则由制造商或其代理商更换以避免安全隐患。

## 人身安全注意事项

1. 操作电动工具时请保持警惕，注意您的操作，并运用常识。  
请勿在疲惫或受到麻醉品、酒精或其他药物作用影响下操作电动工具。在操作电动工具期间分心可能会导致严重的人身伤害。
2. 请使用个人劳防用品。请务必佩带安全眼镜。正确使用防尘面罩、防滑安全鞋、硬质帽子或耳罩等劳防用品可减少人身伤害的危险。
3. 防止意外启动。在连接至电源和 / 或电池组，拿起或搬运工具之前，请确保开关处于关闭位置。搬运工具时手指放在开关上或者在开关打开的情况下给工具通电会导致意外情况发生。
4. 在启动工具之前请取下所有的调节钥匙或扳手。如果工具的旋转部件上留有扳手或调节钥匙，则可能会导致人身伤害。

5. 操作时手不要伸得太长。操作时请双脚站稳，始终保持平衡。这样可在意外情况下较好地控制工具。
6. 着装适当。不要穿宽松衣服或佩戴饰品。让您的头发和衣服远离移动的部件。宽松衣服、佩饰或长发可能会卷入移动的部件。
7. 如果提供了与除尘和集尘设备连接用的装置，请确保将其正确连接和使用。使用集尘设备可减少与粉尘有关的危害。
8. 不要因为频繁使用工具而产生的熟悉感而掉以轻心，忽视工具的安全准则。某个粗心的动作可能在瞬间导致严重的伤害。
9. 务必佩戴护目镜以保护眼睛免受使用电动工具时造成的伤害。  
护目镜必须符合美国 ANSI Z87.1、欧洲 EN 166 或澳大利亚 / 新西兰 AS/NZS 1336 标准。在澳大利亚 / 新西兰，法律要求佩戴面罩保护脸部。



雇主有责任监督工具操作者和其他近工作区域人员佩戴合适的安全防护设备。

## 电动工具的使用和保养

1. 不要滥用电动工具。根据用途使用正确的电动工具。使用工具时不可超出其设计额定值，这样才能更好、更安全地完成作业。
2. 如果工具的开关无法使工具开启和关闭，则请勿使用该工具。无法通过开关控制的电动工具非常危险，必须进行维修。
3. 在进行任何调节、更换附件或贮存电动工具之前，必须从电源上拔掉插头和 / 或卸下电池组（如可拆卸）。这种防护性的安全措施可降低电动工具意外启动的风险。
4. 将闲置的电动工具存放于儿童无法触及之处，并且不得让任何不熟悉工具或这些说明事项的人员操作工具。电动工具在未经训练的用户手中是危险的。



5. 维护电动工具及其附件。检查运动部件是否调整到位或卡住，检查零件破损情况和影响电动工具运行的其他状况。如有损坏，应在使用前修理好电动工具。许多事故是由维护不良的电动工具引发的。
6. 保持切割工具的锋利和清洁。保养良好，具有锋利切边的切割工具不易粘连，并且易于控制。
7. 按照这些说明事项，根据作业条件和作业特点来使用电动工具、附件和钻头。将电动工用于除了这些设计用途以外的操作时将导致意外情况发生。
8. 保持把手和抓握表面干燥、清洁，无油污和润滑脂。湿滑的把手和抓握表面无法在意外情况下安全处理和控制在工具。
9. 使用本工具时，请勿佩戴可能会缠结的布质工作手套。布质工作手套卷入移动部件可能会造成人身伤害。

#### 维修服务

1. 请将您的电动工具交由有资格的专业维修人员处理，仅可使用与原部件相同的更换部件。这样可确保工具的安全性。
2. 根据说明进行润滑和更换附件。

GEB146-1

## 滚轮打磨机使用安全警告

1. 因为轮子可能会接触到自身的电线，操作工具时请握住工具的绝缘抓握表面。切割到“带电”的电线时，电动工具上曝露的金属部分可能也会“带电”，并使操作者触电。
2. 请使用安全眼镜或护目镜。普通眼镜或太阳眼镜并非安全眼镜。
3. 操作前请检查工件表面上是否有钉子、螺钉等异物并将其清除。
4. 牢固固定工件。
5. 操作期间请勿佩戴手套。
6. 需用双手握紧工具。
7. 手应远离旋转的部件。
8. 运行中的工具不可离手放置。只可在手握工具的情况下操作工具。
9. 切勿使用虎钳等工具颠倒固定工具。
10. 某些材料含有有毒化学物质。小心不要吸入粉尘，并避免皮肤接触。遵循材料供应商的安全提示。
11. 使用本工具打磨某些产品、油漆和木材时，使用者会接触到含有有毒物质的粉尘。请采取正确的呼吸保护措施。

#### 警告：

请勿为图方便或因对产品足够熟悉（由于重复使用而获得的经验）而不严格遵循相关产品安全规则。使用不当或不遵循使用说明书中的安全规则会导致严重的人身伤害。

## 功能描述

#### 小心：

- 在调节或检查工具功能之前，请务必关闭工具电源开关并拔下电源插头。

### 调节前辊轮（图 1）

使用前辊轮可对工件施加均匀的压力。要调节前辊轮，请将工具放置在平坦的表面上并拧松蝶形螺母。上下调节前辊轮直到间隙 (D) 约为 2 mm。牢固拧紧蝶形螺母。

### 开关操作（图 2）

#### 小心：

- 插上工具电源插头之前，请务必确认开关扳机能够正常工作，松开时能回到“关闭”位置。

启动工具时，只要扣动开关扳机即可。松开开关扳机工具即停止。

连续操作时，扣动开关扳机并按下锁定按钮。要从锁定位置停止工具时，可将开关扳机扣到底，然后松开。

## 装配

#### 小心：

- 对工具进行任何装配操作前请务必确认工具已关闭且已拔下电源插头。

### 安装或拆卸砂轮

要拆下砂轮，请将一个六角扳手插入到主轴末端，将另一个六角扳手插入到输出轴末端。牢固固定主轴中的六角扳手使砂轮不可转动，同时顺时针转动输出轴中的六角扳手。从砂轮上拉出输出轴。使砂轮稍稍移离主轴并从工具上拆下砂轮。（图 3）

#### 注：

- 输出轴具有左旋螺纹。
- 安装砂轮时，请按与拆卸时相反的步骤进行。安装时，务必对齐砂轮中的槽口和主轴上的插销。（图 4）

请保留此说明书。

## 连接集尘器（图 5）

使用集尘器可使打磨操作更为干净，也可方便地集尘。要连接集尘器，请向上滑动盖板并以顺时针方向打开集尘口。将接头安装到集尘口。现在可将集尘器连接到本工具。

### △小心：

- 不使用集尘器时，使用盖板关闭集尘口开口。

## 操作

双手握住前部的把手和手柄，牢牢握住工具。将工具放置在工件表面上，施加较小的下压力轻轻地前后移动工具。（图 6）

### △小心：

- 启动或关闭工具时，不得使工具接触工件表面。否则可能会损坏工具或工件表面并造成操作人员受伤。
- 只能施加较小的下压力。过重的压力可能会降低工具效率，缩短砂轮使用寿命并可能戳伤工件表面。

## 保养

### △小心：

- 检查或保养工具之前，请务必关闭工具电源开关并拔下插头。
- 切勿使用汽油、苯、稀释剂、酒精或类似物品清洁工具。否则可能会导致工具变色、变形或出现裂缝。

## 更换碳刷

定期拆下碳刷进行检查。在碳刷磨损到界限磨损线时进行更换。请保持碳刷清洁并使其在碳刷夹内能自由滑动。两个碳刷应同时更换。请仅使用相同的碳刷。（图 7）

使用螺丝起子拆下碳刷夹盖。取出已磨损的碳刷，插入新的碳刷，然后紧固碳刷夹盖。

### （图 8）

为了保证产品的安全性与可靠性，维修、任何其他维修保养或调节需由 **Makita**（牧田）授权的维修服务中心完成。务必使用 **Makita**（牧田）的替换部件。

## 选购附件

### △小心：

- 这些附件或装置专用于本说明书所列的 **Makita**（牧田）电动工具。使用其他配件或装置存在人身伤害风险。仅可将附件或装置用于规定目的。

如您需要了解更多关于这些选购附件的信息，请咨询当地的 **Makita**（牧田）维修服务中心。

- 尼龙刷轮
- 砂纸轮 120 - 40
- 钢丝刷轮 120
- 棉抛光轮 120
- 接头
- 六角扳手

### 注：

- 本列表中的一些部件可能作为标准附件包含于工具包装内。它们可能因销往国家之不同而异。

**Penjelasan tampilan keseluruhan**

- |                  |                          |                        |
|------------------|--------------------------|------------------------|
| 1. Mur kupu-kupu | 7. Poros keluaran        | 13. Sambungan          |
| 2. Rol depan     | 8. Kunci L               | 14. Gagang             |
| 3. Saklar pemicu | 9. Takik                 | 15. Pegangan           |
| 4. Tombol kunci  | 10. Pasak                | 16. Tanda batas        |
| 5. Spindel       | 11. Lubang keluaran debu | 17. Obeng              |
| 6. Roda          | 12. Pelat tutup          | 18. Tutup tempat sikat |

**SPEKIFIKASI**

Model	9741
Ukuran roda (Diameter x Lebar)	100 mm x 120 mm
Kecepatan tanpa beban (min <sup>-1</sup> )	3.500
Dimensi (P x L x T)	310 mm x 185 mm x 182 mm
Berat bersih	4,2 kg
Kelas keamanan	□/II

- Karena kesinambungan program penelitian dan pengembangan kami, spesifikasi yang disebutkan di sini dapat berubah tanpa pemberitahuan.
- Spesifikasi dapat berbeda dari satu negara ke negara lainnya.
- Berat menurut Prosedur EPTA 01/2014

END201-7

ENF002-2

**Simbol**

Berikut ini adalah simbol-simbol yang digunakan pada peralatan ini.

Pastikan Anda mengerti makna masing-masing simbol sebelum menggunakan alat.



..... Baca petunjuk penggunaan.



..... ISOLASI GANDA



..... Hanya untuk negara-negara UE  
 Jangan membuang peralatan listrik atau paket baterai bersama-sama dengan bahan limbah rumah tangga!  
 Dengan memerhatikan Petunjuk Eropa, tentang Limbah Peralatan Listrik dan Elektronik serta pelaksanaannya sesuai dengan ketentuan hukum nasional, peralatan listrik yang telah habis umur pakainya harus dikumpulkan secara terpisah dan dikembalikan ke fasilitas daur ulang yang kompatibel secara lingkungan.

ENE053-1

**Penggunaan**

Mesin ini digunakan untuk membuang lapisan cat dengan menggunakan roda kertas ampelas dan membersihkan logam berpermukaan halus dengan menggunakan roda sikat kawat.

**Pasokan daya**

Mesin harus terhubung dengan pasokan daya listrik yang bervoltase sama dengan yang tertera pada pelat nama, dan hanya dapat dijalankan dengan listrik AC fase tunggal. Mesin diisolasi ganda dan oleh sebab itu dapat dihubungkan dengan soket tanpa arde.

GEA012-2

**Peringatan keselamatan umum mesin listrik**

**⚠ PERINGATAN: Bacalah semua peringatan keselamatan, petunjuk, ilustrasi dan spesifikasi yang disertakan bersama mesin listrik ini.**

Kelalaian untuk mematuhi semua petunjuk yang tercantum di bawah ini dapat menyebabkan sengatan listrik, kebakaran dan/atau cedera serius.

**Simpanlah semua peringatan dan petunjuk untuk acuan di masa depan.**

Istilah "mesin listrik" dalam semua peringatan mengacu pada mesin listrik yang dijalankan dengan sumber listrik jala-jala (berkabel) atau baterai (tanpa kabel).

**Keselamatan tempat kerja**

1. **Jaga tempat kerja selalu bersih dan berpenerangan cukup.** Tempat kerja yang berantakan dan gelap mengundang kecelakaan.
2. **Jangan gunakan mesin listrik dalam lingkungan yang mudah meledak, misalnya jika ada cairan, gas, atau debu yang mudah menyala.** Mesin listrik menimbulkan bunga api yang dapat menyalakan debu atau uap tersebut.

3. **Jauhkan anak-anak dan orang lain saat menggunakan mesin listrik.** Bila perhatian terpecah, anda dapat kehilangan kendali.

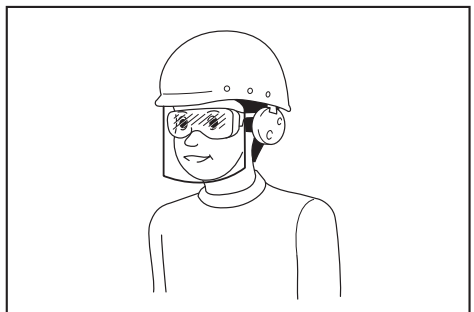
#### **Keamanan Kelistrikan**

1. **Steker mesin listrik harus cocok dengan stopkontak. Jangan sekali-kali mengubah steker dengan cara apa pun. Jangan menggunakan steker adaptor dengan mesin listrik terbumi (dibumikan).** Steker yang tidak diubah dan stopkontak yang cocok akan mengurangi risiko sengatan listrik.
2. **Hindari sentuhan tubuh dengan permukaan terbumi atau yang dibumikan seperti pipa, radiator, kompor, dan kulkas.** Risiko sengatan listrik bertambah jika tubuh Anda terbumikan atau dibumikan.
3. **Jangan membiarkan mesin listrik kehujanan atau kebasahan.** Air yang masuk ke dalam mesin listrik akan meningkatkan risiko sengatan listrik.
4. **Jangan menyalahgunakan kabel. Jangan sekali-kali menggunakan kabel untuk membawa, menarik, atau mencabut mesin listrik dari stopkontak. Jauhkan kabel dari panas, minyak, tepian tajam, atau bagian yang bergerak.** Kabel yang rusak atau kusut memperbesar risiko sengatan listrik.
5. **Bila menggunakan mesin listrik di luar ruangan, gunakan kabel ekstensi yang sesuai untuk penggunaan di luar ruangan.** Penggunaan kabel yang sesuai untuk penggunaan luar ruangan mengurangi risiko sengatan listrik.
6. **Jika mengoperasikan mesin listrik di lokasi lembap tidak terhindarkan, gunakan pasokan daya yang dilindungi peranti imbasan arus (residual current device - RCD).** Penggunaan RCD mengurangi risiko sengatan listrik.
7. **Penggunaan pasokan daya melalui RCD dengan kapasitas arus sisa 30 mA atau kurang selalu dianjurkan.**
8. **Mesin listrik dapat menghasilkan medan magnet (EMF) yang tidak berbahaya bagi pengguna.** Namun, pengguna alat pacu jantung atau peralatan medis sejenisnya harus berkonsultasi dengan produsen peralatan tersebut dan/atau dokter mereka sebelum mengoperasikan mesin listrik ini.
9. **Jangan menyentuh colokan daya dengan tangan basah.**
10. **Jika kabel rusak, penggantian harus dilakukan oleh produsen atau agennya untuk menghindari bahaya keselamatan.**

#### **Keselamatan Diri**

1. **Jaga kewaspadaan, perhatikan pekerjaan Anda dan gunakan akal sehat bila menggunakan mesin listrik. Jangan menggunakan mesin listrik saat Anda lelah atau di bawah pengaruh obat bius, alkohol, atau obat.** Sekejap saja lalai saat menggunakan mesin listrik dapat menyebabkan cedera badan serius.
2. **Gunakan alat pelindung diri. Selalu gunakan pelindung mata.** Peralatan pelindung seperti masker debu, sepatu pengaman anti-selip, helm pengaman, atau pelindung telinga yang digunakan untuk kondisi yang sesuai akan mengurangi risiko cedera badan.

3. **Cegah penyalan yang tidak disengaja. Pastikan bahwa sakelar berada dalam posisi mati (off) sebelum menghubungkan mesin ke sumber daya dan/atau paket baterai, atau mengangkat atau membawanya.** Membawa mesin listrik dengan jari Anda pada sakelarnya atau mengalirkan listrik pada mesin listrik yang sakelarnya hidup (on) akan mengundang kecelakaan.
4. **Lepaskan kunci-kunci penyetel sebelum menghidupkan mesin listrik.** Kunci-kunci yang masih terpasang pada bagian mesin listrik yang berputar dapat menyebabkan cedera.
5. **Jangan meraih terlalu jauh. Jagalah pijakan dan keseimbangan sepanjang waktu.** Hal ini memungkinkan kendali yang lebih baik atas mesin listrik dalam situasi yang tidak diharapkan.
6. **Kenakan pakaian yang memadai. Jangan memakai pakaian yang longgar atau perhiasan. Jaga jarak antara rambut dan pakaian Anda dengan komponen mesin yang bergerak.** Pakaian yang longgar, perhiasan, atau rambut yang panjang dapat tersangkut pada komponen yang bergerak.
7. **Jika tersedia fasilitas untuk menghisap dan mengumpulkan debu, pastikan fasilitas tersebut terhubung listrik dan digunakan dengan baik.** Penggunaan pembersih debu dapat mengurangi bahaya yang terkait dengan debu.
8. **Jangan sampai Anda lengah dan mengabaikan prinsip keselamatan mesin ini hanya karena sudah sering mengoperasikannya dan sudah merasa terbiasa.** Tindakan yang lalai dapat menyebabkan cedera berat dalam sepersekian detik saja.
9. **Selalu kenakanacamata pelindung untuk melindungi mata dari cedera saat menggunakan mesin listrik. Kacamata harus sesuai dengan ANSI Z87.1 di Amerika Serikat, EN 166 di Eropa, atau AS/NZS 1336 di Australia/Selandia Baru. Di Australia/Selandia Baru, secara hukum Anda juga diwajibkan mengenakan pelindung wajah untuk melindungi wajah Anda.**



**Menjadi tanggung jawab atasan untuk menerapkan penggunaan alat pelindung keselamatan yang tepat bagi operator mesin dan orang lain yang berada di area kerja saat itu.**

## Penggunaan dan pemeliharaan mesin listrik

1. **Jangan memaksa mesin listrik. Gunakan mesin listrik yang tepat untuk keperluan Anda.** Mesin listrik yang tepat akan menuntaskan pekerjaan dengan lebih baik dan aman pada kecepatan sesuai rancangannya.
2. **Jangan gunakan mesin listrik jika sakelar tidak dapat menyalakan dan mematikannya.** Mesin listrik yang tidak dapat dikendalikan dengan sakelarnya adalah berbahaya dan harus diperbaiki.
3. **Cabut steker dari sumber listrik dan/atau lepas paket baterai, jika dapat dilepas, dari mesin listrik sebelum melakukan penyetelan apa pun, mengganti aksesoris, atau menyimpan mesin listrik.** Langkah keselamatan preventif tersebut mengurangi risiko hidupnya mesin secara tak sengaja.
4. **Simpan mesin listrik jauh dari jangkauan anak-anak dan jangan biarkan orang yang tidak paham mengenai mesin listrik tersebut atau petunjuk ini menggunakan mesin listrik.** Mesin listrik sangat berbahaya di tangan pengguna yang tak terlatih.
5. **Rawatlah mesin listrik dan aksesoris. Periksa apakah ada komponen bergerak yang tidak lurus atau macet, komponen yang pecah, dan kondisi-kondisi lain yang dapat memengaruhi pengoperasian mesin listrik.** Jika rusak, perbaiki dahulu mesin listrik sebelum digunakan. Banyak kecelakaan disebabkan oleh kurangnya pemeliharaan mesin listrik.
6. **Jaga agar mesin pemotong tetap tajam dan bersih.** Mesin pemotong yang terawat baik dengan mata pemotong yang tajam tidak mudah macet dan lebih mudah dikendalikan.
7. **Gunakan mesin listrik, aksesoris, dan mata mesin, dll. sesuai dengan petunjuk ini, dengan memperhitungkan kondisi kerja dan jenis pekerjaan yang dilakukan.** Penggunaan mesin listrik untuk penggunaan yang lain dari peruntukan dapat menimbulkan situasi berbahaya.
8. **Jagalah agar gagang dan permukaan pegangan tetap kering, bersih, dan bebas dari minyak dan pelumas.** Gagang dan permukaan pegangan yang licin tidak mendukung keamanan penanganan dan pengendalian mesin dalam situasi-situasi tak terduga.
9. **Ketika menggunakan mesin, jangan menggunakan sarung tangan kain yang dapat tersangkut.** Sarung tangan kain yang tersangkut pada komponen bergerak dapat mengakibatkan cedera pada pengguna.

## Servis

1. **Berikan mesin listrik untuk diperbaiki hanya kepada oleh teknisi yang berkualifikasi dengan menggunakan hanya suku cadang pengganti yang serupa.** Hal ini akan menjamin terjaganya keamanan mesin listrik.
2. **Patuhi petunjuk pelumasan dan penggantian aksesoris.**

## PERINGATAN KESELAMATAN MESIN AMPELAS RODA

1. **Pegang mesin listrik pada permukaan genggam yang terisolasi, karena permukaan roda dapat bersentuhan dengan kabelnya sendiri.** Memotong kawat "hidup" dapat menyebabkan bagian logam pada mesin teraliri arus listrik dan menyengat pengguna.
2. **Selalu gunakan kacamata pengaman. Kaca mata biasa atau kaca mata hitam BUKANLAH kaca mata pengaman.**
3. **Periksa dan buang benda asing seperti paku, sekrap, dll. dari permukaan benda kerja sebelum pengoperasian.**
4. **Tahan benda kerja dengan kuat.**
5. **Jangan mengenakan sarung tangan saat penggunaan.**
6. **Pegang mesin kuat-kuat dengan kedua tangan.**
7. **Jauhkan tangan dari bagian yang berputar.**
8. **Jangan meninggalkan mesin dalam keadaan hidup. Jalankan mesin hanya ketika digenggam dengan tangan.**
9. **Jangan pernah mencoba menggunakan mesin jika mesin dipasang terbalik pada ragum, dll.**
10. **Bahan tertentu mengandung zat kimia yang mungkin beracun. Berhati-hatilah untuk menghindari menghirup debu dan persentuhan dengan kulit. Ikuti data keselamatan bahan dari pemasok.**
11. **Penggunaan mesin ini untuk mengampelas produk, cat dan kayu bisa menyebabkan pengguna menghirup debu yang mengandung zat-zat berbahaya. Gunakan alat pelindung pernafasan yang sesuai.**

## SIMPAN PETUNJUK INI.

### ⚠ PERINGATAN:

**JANGAN** biarkan kenyamanan atau terbiasanya Anda dengan produk (karena penggunaan berulang) mengurangi kepatuhan yang ketat terhadap aturan keselamatan untuk produk yang terkait. **PENYALAHGUNAAN** atau kelalaian mematuhi kaidah keselamatan yang tertera dalam petunjuk ini dapat menyebabkan cedera berat serius.

## DESKRIPSI FUNGSI

### ⚠ PERHATIAN:

- Selalu pastikan bahwa mesin dalam keadaan mati dan steker tercabut sebelum menyetel atau memeriksa kerja mesin.

### Menyetel rol depan (Gb. 1)

Rol depan memungkinkan Anda untuk memberi tekanan yang seragam pada benda kerja. Untuk menyetel rol depan, posisikan mesin pada permukaan yang rata lalu kendurkan mur kupu-kupu. Setel rol depan ke atas atau ke bawah sampai jarak bukaan (D) kira-kira 2 mm. Kencangkan mur kupu-kupu dengan kuat.

## KERJA saklar (Gb. 2)

### ⚠️ PERHATIAN:

- Sebelum memasukkan steker, pastikan saklar berfungsi dengan baik dan kembali ke posisi "OFF" saat dilepas.

Untuk menjalankan mesin, cukup tarik picu saklarnya.

Lepaskan picu saklar untuk berhenti.

Untuk penggunaan terus menerus, tarik picu saklar lalu tekan tombol kunci.

Untuk membebaskan posisi terkunci, tarik picu saklar sampai penuh, lalu lepaskan.

## PERAKITAN

### ⚠️ PERHATIAN:

- Pastikan bahwa mesin dalam keadaan mati dan steker tercabut sebelum melakukan pekerjaan apapun pada mesin.

### Memasang atau melepas roda

Untuk melepas roda, masukkan kunci L pada bagian ujung spindel dan kunci L lainnya pada bagian ujung poros keluaran. Putar kunci L pada poros keluaran searah jarum jam sementara menahan kunci L pada spindel kuat-kuat sehingga roda tidak bisa berputar. Tarik poros keluaran dari roda. Geser roda sedikit keluar dari spindel lalu lepas roda dari mesin. (Gb. 3)

### CATATAN:

- Poros keluaran memiliki ulir putar-kiri. Untuk memasang roda, ikuti urutan terbalik dari prosedur pelepasan. Saat memasangnya, pastikan untuk menyejajarkan taki-takik pada roda dengan pasak pada spindel. (Gb. 4)

### Menyambungkan ke pengumpul debu (Gb. 5)

Penggunaan pengumpul debu membuat pekerjaan pengampelasan menjadi bersih dan mempermudah pengumpulan debu. Untuk menyambungkan pengumpul debu, buka lubang keluaran debu dengan menggeser pelat tutup ke atas dan searah jarum jam. Pasang sambungan pada lubang keluaran debu. Kini pengumpul debu bisa disambungkan ke mesin ini.

### ⚠️ PERHATIAN:

- Saat tidak menggunakan pengumpul debu, tutup bukaan lubang keluaran debu dengan pelat tutup.

## PENGGUNAAN

Pegang mesin kuat-kuat dengan kedua tangan pada pegangan dan gagang di bagian depan. Sentuhkan mesin pada permukaan benda kerja lalu gerakkan mesin arah maju dan mundur dengan hati-hati sementara memberi tekanan sedikit ke bawah. (Gb. 6)

### ⚠️ PERHATIAN:

- Mesin tidak boleh bersentuhan dengan permukaan benda kerja saat Anda menyalakan atau mematikan mesin. Bisa menyebabkan kerusakan pada mesin atau benda kerja serta cedera pada operator.

- Hanya beri sedikit tekanan ke bawah. Tekanan yang berlebihan bisa menurunkan efisiensi mesin, memperpendek umur pemakaian roda dan kemungkinan mencungkil permukaan benda kerja.

## PERAWATAN

### ⚠️ PERHATIAN:

- Selalu pastikan bahwa mesin dimatikan dan steker dicabut sebelum melakukan pemeriksaan atau perawatan.
- Jangan sekali-kali menggunakan bensin, tiner, alkohol, atau bahan sejenisnya. Penggunaan bahan demikian dapat menyebabkan perubahan warna, perubahan bentuk atau timbulnya retakan.

### Mengganti sikat karbon

Lepas dan periksa sikat karbon secara teratur. Lepas ketika aus sampai tanda batas. Jaga agar sikat karbon tetap bersih dan tidak bergeser dari tempatnya. Kedua sikat karbon harus diganti pada waktu yang sama. Hanya gunakan sikat karbon yang sama. (Gb. 7) Gunakan obeng untuk melepas tutup tempat sikat. Tarik keluar sikat karbon yang aus, masukkan yang baru dan pasang tutup tempat sikat. (Gb. 8)

Untuk menjaga KEAMANAN dan KEANDALAN mesin, perbaikan, perawatan atau penyetulan lain harus dilakukan oleh Pusat Layanan Resmi Makita; selalu gunakan suku cadang pengganti buatan Makita.

## PILIHAN AKSESORI

### ⚠️ PERHATIAN:

- Dianjurkan untuk menggunakan aksesoris atau perangkat tambahan ini dengan mesin Makita Anda yang ditentukan dalam petunjuk ini. Penggunaan aksesoris atau perangkat tambahan lain bisa menyebabkan risiko cedera pada manusia. Hanya gunakan aksesoris atau perangkat tambahan sesuai dengan peruntukannya.

Jika Anda memerlukan bantuan lebih rinci berkenaan dengan aksesoris ini, tanyakan pada Pusat Layanan Makita terdekat.

- Roda sikat nilon
- Roda kertas ampelas 120 - 40
- Roda sikat kawat 120
- Roda kain flanel 120
- Sambungan
- Kunci L

### CATATAN:

- Beberapa item dalam daftar tersebut mungkin sudah termasuk dalam paket mesin sebagai aksesoris standar. Hal tersebut dapat berbeda dari satu negara ke negara lainnya.

# TIẾNG VIỆT

## Giải thích về hình vẽ tổng thể

- |                           |                  |                   |
|---------------------------|------------------|-------------------|
| 1. Ốc tai vặn             | 7. Trục dẫn động | 13. Bộ nối        |
| 2. Trục xoay trước        | 8. Khóa lục giác | 14. Tay cầm hãm   |
| 3. Cần khởi động công tắc | 9. Rãnh khía     | 15. Tay nắm       |
| 4. Nút khóa               | 10. Chốt         | 16. Vạch giới hạn |
| 5. Trụ quay               | 11. Cổng xả bụi  | 17. Tuốc-nơ-vít   |
| 6. Bánh nhám              | 12. Nắp che      | 18. Nắp giữ chổi  |

## THÔNG SỐ KỸ THUẬT

Kiểu	9741
Kích thước bánh nhám (Đường kính x Chiều rộng)	100 mm x 120 mm
Tốc độ không tải (phút <sup>-1</sup> )	3.500
Kích thước (Dài x Rộng x Cao)	310 mm x 185 mm x 182 mm
Khối lượng tịnh	4,2 kg
Cấp độ an toàn	□/II

- Do chương trình nghiên cứu và phát triển liên tục của chúng tôi nên các thông số kỹ thuật trong đây có thể thay đổi mà không cần thông báo trước.
- Các thông số kỹ thuật có thể thay đổi tùy theo từng quốc gia.
- Khối lượng tùy theo Quy trình EPTA tháng 01/2014

END201-7

GEA012-2

### Ký hiệu

Phần dưới đây cho biết các ký hiệu được dùng cho thiết bị. Đảm bảo rằng bạn hiểu rõ ý nghĩa của các ký hiệu này trước khi sử dụng.



..... Đọc tài liệu hướng dẫn.



..... CÁCH ĐIỆN CẤP 2



..... Chỉ dành cho các quốc gia EU

Không thái bỏ thiết bị điện hoặc bộ pin cùng với các chất thải sinh hoạt!  
Để tuân thủ Chỉ thị của Châu Âu về thiết bị điện và điện tử thải bỏ, và thi hành những chỉ thị này phù hợp với luật lệ quốc gia, thiết bị điện tử không còn sử dụng được nữa phải được thu nhặt riêng và đưa trở lại một cơ sở tái chế tương thích với môi trường.

ENE053-1

### Mục đích sử dụng

Dụng cụ này được dùng để loại bỏ lớp sơn bằng bánh nhám chổi giấy và làm sạch bề mặt mịn kim loại bằng bánh nhám chổi sắt.

ENF002-2

### Nguồn cấp điện

Dụng cụ này chỉ được nối với nguồn cấp điện có điện áp giống như đã chỉ ra trên biển tên và chỉ có thể được vận hành trên nguồn điện AC một pha. Chúng được cách điện hai lớp và do đó cũng có thể được sử dụng với các ổ cắm điện không có dây tiếp đất.

## Cảnh báo an toàn chung dành cho dụng cụ máy

**⚠ CẢNH BÁO:** Xin đọc tất cả các cảnh báo an toàn, hướng dẫn, minh họa và thông số kỹ thuật đi kèm với dụng cụ máy này. Việc không tuân theo các hướng dẫn được liệt kê dưới đây có thể dẫn đến điện giật, hỏa hoạn và/hoặc thương tích nghiêm trọng.

## Lưu giữ tất cả cảnh báo và hướng dẫn để tham khảo sau này

Thuật ngữ “dụng cụ máy” trong các cảnh báo đề cập đến dụng cụ máy (có dây) được vận hành bằng nguồn điện chính hoặc dụng cụ máy (không dây) được vận hành bằng pin của bạn.

### An toàn tại nơi làm việc

- Giữ nơi làm việc sạch sẽ và có đủ ánh sáng.**  
Nơi làm việc bừa bộn hoặc tối thường dễ gây ra tai nạn.
- Không vận hành dụng cụ máy trong môi trường cháy nổ, ví dụ như môi trường có sự hiện diện của các chất lỏng, khí hoặc bụi dễ cháy.** Các dụng cụ máy tạo tia lửa điện có thể làm bụi hoặc khí bốc cháy.
- Giữ trẻ em và người ngoài tránh xa nơi làm việc khi đang vận hành dụng cụ máy.** Sự xao lãng có thể khiến bạn mất khả năng kiểm soát.



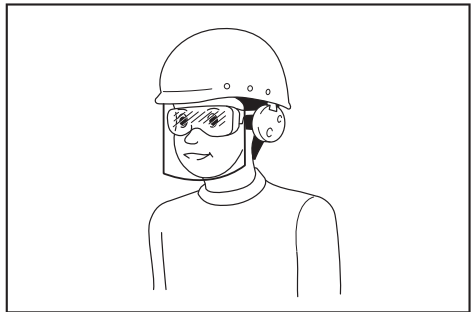
## An toàn về Điện

1. **Phích cắm của dụng cụ máy phải khớp với ổ cắm. Không được sửa đổi phích cắm theo bất kỳ cách nào. Không sử dụng bất kỳ phích chuyển đổi nào với các dụng cụ máy được nối đất (tiếp đất).** Các phích cắm còn nguyên vẹn và ổ cắm phù hợp sẽ giảm nguy cơ điện giật.
2. **Tránh để cơ thể tiếp xúc với các bề mặt nóng đất hoặc tiếp đất như đường ống, bộ tản nhiệt, bếp ga và tủ lạnh.** Nguy cơ bị điện giật sẽ tăng lên nếu cơ thể bạn được nối đất hoặc tiếp đất.
3. **Không để dụng cụ máy tiếp xúc với mưa hoặc trong điều kiện ẩm ướt.** Nước lọt vào dụng cụ máy sẽ làm tăng nguy cơ điện giật.
4. **Không lạm dụng dây điện. Không được phép sử dụng dây để mang, kéo hoặc tháo phích cắm dụng cụ máy. Giữ dây tránh xa nguồn nhiệt, dầu, các mép sắc hoặc các bộ phận chuyển động.** Dây bị hỏng hoặc bị rối sẽ làm tăng nguy cơ điện giật.
5. **Khi vận hành dụng cụ máy ngoài trời, hãy sử dụng dây kéo dài phù hợp cho việc sử dụng ngoài trời.** Việc dùng dây phù hợp cho việc sử dụng ngoài trời sẽ giảm nguy cơ điện giật.
6. **Nếu bắt buộc phải vận hành dụng cụ máy ở nơi ẩm ướt, hãy sử dụng nguồn cấp điện được bảo vệ bằng thiết bị ngắt dòng điện rò (RCD).** Việc sử dụng RCD sẽ làm giảm nguy cơ điện giật.
7. **Chúng tôi luôn khuyên bạn sử dụng nguồn cấp điện qua thiết bị ngắt dòng điện rò định mức 30 mA hoặc thấp hơn.**
8. **Các dụng cụ máy có thể tạo ra từ trường điện (EMF) có hại cho người dùng.** Tuy nhiên, người dùng máy trợ tim và những thiết bị y tế tương tự khác nên liên hệ với nhà sản xuất thiết bị và/hoặc bác sỹ để được tư vấn trước khi vận hành dụng cụ này.
9. **Không chạm vào đầu cắm điện bằng tay ướt.**
10. **Nếu dây bị hỏng, hãy nhờ nhà sản xuất hoặc đại lý thay dây mới để tránh nguy hiểm về an toàn.**

## An toàn Cá nhân

1. **Luôn tỉnh táo, quan sát những việc bạn đang làm và sử dụng những phán đoán theo kinh nghiệm khi vận hành dụng cụ máy. Không sử dụng dụng cụ máy khi bạn đang mệt mỏi hoặc chịu ảnh hưởng của ma túy, rượu hay thuốc.** Chỉ một khoảnh khắc không tập trung khi đang vận hành dụng cụ máy cũng có thể dẫn đến thương tích cá nhân nghiêm trọng.
2. **Sử dụng thiết bị bảo hộ cá nhân. Luôn đeo thiết bị bảo vệ mắt.** Các thiết bị bị bảo hộ như mặt nạ chống bụi, giày an toàn chống trượt, mũ bảo hộ hay thiết bị bảo vệ thính giác được sử dụng trong các điều kiện thích hợp sẽ giúp giảm thương tích cá nhân.
3. **Tránh vô tình khởi động dụng cụ máy. Đảm bảo công tắc ở vị trí off (tắt) trước khi nối nguồn điện và/hoặc bộ pin, cắm hoặc di chuyển dụng cụ máy.** Việc di chuyển dụng cụ máy khi đang đặt ngón tay ở vị trí công tắc hoặc cấp điện cho dụng cụ máy đang bật thường dễ gây ra tai nạn.
4. **Tháo tất cả các khóa hoặc cờ lê điều chỉnh trước khi bật dụng cụ máy.** Việc cờ lê hoặc khóa vẫn còn gắn vào bộ phận quay của dụng cụ máy có thể dẫn đến thương tích cá nhân.

5. **Không vói quá cao. Luôn giữ thăng bằng tốt và có chỗ để chân phù hợp.** Điều này cho phép điều khiển dụng cụ máy tốt hơn trong những tình huống bất ngờ.
6. **Án mặc phù hợp. Không mặc quần áo rộng hay đồ đồ trang sức. Giữ tóc và quần áo tránh xa các bộ phận chuyển động.** Quần áo rộng, đồ trang sức hay tóc dài có thể mắc vào các bộ phận chuyển động.
7. **Nếu cần thiết bị được cung cấp để kết nối các thiết bị thu gom và hút bụi, hãy đảm bảo chúng được kết nối và sử dụng hợp lý.** Việc sử dụng thiết bị thu gom bụi có thể làm giảm những mối nguy hiểm liên quan đến bụi.
8. **Không vì quen thuộc do thường xuyên sử dụng các dụng cụ mà cho phép bạn trở nên tự mãn và bỏ qua các nguyên tắc an toàn dụng cụ.** Một hành động bất cẩn có thể gây ra thương tích nghiêm trọng trong một phần của một giây.
9. **Luôn luôn mang kính bảo hộ để bảo vệ mắt khỏi bị thương khi đang sử dụng các dụng cụ máy. Kính bảo hộ phải tuân thủ các tiêu chuẩn về an toàn. Kính bảo hộ phải tuân thủ ANSI Z87.1 ở Mỹ, EN 166 ở Châu Âu, hoặc AS/NZS 1336 ở Úc/New Zealand. Tại Úc/New Zealand, theo luật pháp, bạn cũng phải mang mặt nạ che mặt để bảo vệ mặt.**



Trách nhiệm của chủ lao động là bắt buộc người vận hành dụng cụ và những người khác trong khu vực làm việc cạnh đó phải sử dụng các thiết bị bảo hộ an toàn thích hợp.

## Sử dụng và bảo quản dụng cụ máy

1. **Không dùng lực đối với dụng cụ máy.** Sử dụng đúng dụng cụ máy cho công việc của bạn. Sử dụng đúng dụng cụ máy sẽ giúp thực hiện công việc tốt hơn và an toàn hơn theo giá trị định mức được thiết kế của dụng cụ máy đó.
2. **Không sử dụng dụng cụ máy nếu công tắc không bật và tắt được dụng cụ máy đó.** Mọi dụng cụ máy không thể điều khiển được bằng công tắc đều rất nguy hiểm và phải được sửa chữa.
3. **Rút phích cắm ra khỏi nguồn điện và/hoặc tháo kết nối bộ pin khỏi dụng cụ máy, nếu có thể tháo rời trước khi thực hiện bất kỳ công việc điều chỉnh, thay đổi phụ tùng hay cất giữ dụng cụ máy nào.** Những biện pháp an toàn phòng ngừa này sẽ giảm nguy cơ vô tình khởi động dụng cụ máy.



- Cắt giữ các dụng cụ máy không sử dụng ngoài tầm với của trẻ em và không cho bất kỳ người nào không có hiểu biết về dụng cụ máy hoặc các hướng dẫn này vận hành dụng cụ máy.**  
Dụng cụ máy sẽ rất nguy hiểm nếu được sử dụng bởi những người dùng chưa qua đào tạo.
- Bảo dưỡng dụng cụ máy và các phụ kiện.** Kiểm tra tình trạng lệch trục hoặc bó kẹt của các bộ phận chuyển động, hiện tượng nứt vỡ của các bộ phận và mọi tình trạng khác mà có thể ảnh hưởng đến hoạt động của dụng cụ máy. Nếu có hỏng hóc, hãy sửa chữa dụng cụ máy trước khi sử dụng. Nhiều tai nạn xảy ra là do không bảo quản tốt dụng cụ máy.
- Luôn giữ cho dụng cụ cắt được sắc bén và sạch sẽ.** Những dụng cụ cắt được bảo quản tốt có mép cắt sắc sẽ ít bị kẹt hơn và dễ điều khiển hơn.
- Sử dụng dụng cụ máy, phụ tùng và đầu dụng cụ cắt, v.v... theo các hướng dẫn này, có tính đến điều kiện làm việc và công việc được thực hiện.** Việc sử dụng dụng cụ máy cho các công việc khác với công việc dự định có thể gây nguy hiểm.
- Giữ tay cầm và bề mặt tay cầm khô, sạch, không dính dầu và mỡ.** Tay cầm trơn trượt và bề mặt tay cầm không cho phép xử lý an toàn và kiểm soát dụng cụ trong các tình huống bất ngờ.
- Khi sử dụng dụng cụ, không được đi giày tay lao động bằng vải, có thể bị vướng.** Việc giày tay lao động bằng vải vướng vào các bộ phận chuyển động có thể gây ra thương tích cá nhân.

#### Bảo dưỡng

- Đề nghị viên sửa chữa đủ trình độ bảo dưỡng dụng cụ máy của bạn và chỉ sử dụng các bộ phận thay thế đồng nhất.** Việc này sẽ đảm bảo duy trì được độ an toàn của dụng cụ máy.
- Tuân theo hướng dẫn dành cho việc bôi trơn và thay phụ tùng.**

## CẢNH BÁO AN TOÀN ĐỐI VỚI MÁY CHÀ NHÁM RULO

GEB146-1

- Giữ dụng cụ máy chỉ bằng các bề mặt kẹp cách điện, vì đĩa mài có thể tiếp xúc với dây điện của chính nó.** Việc cắt một dây dẫn "có điện" có thể khiến các bộ phận kim loại bị hở của dụng cụ máy "có điện" và làm cho người vận hành bị điện giật.
- Luôn sử dụng kính bảo hộ hoặc kính an toàn.** Kính mắt thông thường hoặc kính râm KHÔNG phải là kính an toàn.
- Kiểm tra và loại bỏ các ngoại vật như đinh, ốc vít, v.v... ra khỏi bề mặt vật gia công trước khi vận hành máy.**
- Giữ chặt vật gia công.**
- Không đeo găng tay trong quá trình vận hành máy.**
- Cầm chắc dụng cụ bằng cả hai tay.**
- Giữ tay tránh xa các bộ phận quay.**
- Không để mặc dụng cụ hoạt động.** Chỉ vận hành dụng cụ khi cầm trên tay.
- Không được thử dùng kim, mâm cặp để kẹp dụng cụ lộn ngược, v.v...**
- Một số vật liệu có thể chứa hóa chất độc hại.** Phải cẩn trọng tránh hít phải bụi và để tiếp xúc với da. Tuân theo dữ liệu an toàn của nhà cung cấp vật liệu.

- Sử dụng dụng cụ này để đánh nhám một số sản phẩm, sơn và gỗ có thể làm người dùng tiếp xúc với bụi có chứa các chất nguy hiểm.**  
Sử dụng biện pháp bảo vệ đường hô hấp phù hợp.

## LƯU GIỮ CÁC HƯỚNG DẪN NÀY.

### ⚠ CẢNH BÁO:

**KHÔNG** vì đã thoải mái hay quen thuộc với sản phẩm (có được do sử dụng nhiều lần) mà không tuân thủ nghiêm ngặt các quy định về an toàn dành cho sản phẩm này. **VIỆC DÙNG SAI** hoặc không tuân theo các quy định về an toàn được nêu trong tài liệu hướng dẫn này có thể dẫn đến thương tích cá nhân nghiêm trọng.

## MÔ TẢ CHỨC NĂNG

### ⚠ CẢNH TRỌNG:

- Phải luôn đảm bảo rằng dụng cụ đã được tắt điện và ngắt kết nối trước khi chỉnh sửa hoặc kiểm tra chức năng của dụng cụ.

### Điều chỉnh trục xoay trước (Hình 1)

Trục xoay trước cho phép người dùng tác động một lực đồng nhất lên vật gia công. Điều chỉnh trục xoay trước bằng cách đặt dụng cụ lên một bề mặt phẳng và tháo lỏng đai ốc tai vặn. Điều chỉnh trục xoay trước lên hoặc xuống cho đến khi khoảng cách khe hở (D) còn khoảng 2 mm. Siết chặt ốc tai vặn.

### Hoạt động công tắc (Hình 2)

### ⚠ CẢNH TRỌNG:

- Trước khi cắm điện vào dụng cụ, luôn luôn kiểm tra xem cần khởi động công tắc có hoạt động bình thường hay không và trả về vị trí "OFF" (TẮT) khi nhả ra. Để khởi động dụng cụ, chỉ cần kéo cần khởi động công tắc. Nhả cần khởi động công tắc ra để dừng. Để tiếp tục vận hành, hãy kéo cần khởi động công tắc và sau đó nhấn vào nút khóa. Để dừng dụng cụ từ vị trí đã khóa, hãy kéo cần khởi động công tắc hết mức, sau đó nhả ra.

## LẮP RÁP

### ⚠ CẢNH TRỌNG:

- Luôn luôn đảm bảo rằng dụng cụ đã được tắt và tháo phích cắm trước khi dùng dụng cụ thực hiện bất cứ công việc nào.

### Lắp hoặc tháo bánh nhám

Để tháo bánh nhám, hãy gá khóa lục giác vào đầu trục quay và một khóa lục giác khác vào đầu trục dẫn động. Xoay khóa lục giác ở trục dẫn động theo chiều kim đồng hồ trong khi giữ chặt khóa lục giác ở trục quay sao cho bánh nhám không thể quay. Kéo trục dẫn động ra khỏi bánh nhám. Nhẹ nhàng di chuyển bánh nhám ra khỏi trục quay và tháo bánh nhám ra khỏi dụng cụ. (Hình 3)

## LƯU Ý:

- Trục dẫn động có một đường ren phía tay trái. Để lắp bánh nhám, hãy làm ngược lại quy trình tháo ra. Trong quá trình lắp phải bảo đảm cân chính các rãnh khía trong bánh nhám khớp với các chốt trên trục quay. **(Hình 4)**

## Nổi máy hút bụi (Hình 5)

Sử dụng túi thu bụi giúp cho các thao tác đánh nhám được sạch sẽ và dễ dàng thu gom bụi. Để nổi túi thu bụi, hãy mở cổng xả bụi bằng cách trượt nắp che lên trên và theo chiều kim đồng hồ. Gắn đầu nối lên trên cổng xả bụi. Bây giờ đã có thể nối túi thu bụi vào dụng cụ này.

### ⚠ CẢN TRỌNG:

- Khi không sử dụng túi thu bụi, hãy đóng lỗ mở cổng xả bụi bằng nắp che.

## VẬN HÀNH

Giữ chắc dụng cụ bằng cách dùng hai tay giữ chặt tay nắm và tay cầm hãm ở phía trước. Đặt dụng cụ lên trên bề mặt vật gia công và di chuyển dụng cụ nhẹ nhàng về phía trước và phía sau đồng thời ấn nhẹ xuống. **(Hình 6)**

### ⚠ CẢN TRỌNG:

- Dụng cụ này không được để tiếp xúc với bề mặt vật gia công khi bạn bật hoặc tắt dụng cụ. Trong quá trình vận hành có thể xảy ra hư hỏng dụng cụ hoặc bề mặt vật gia công và thương tích cho người vận hành.
- Chỉ ấn dụng cụ xuống bằng một lực nhỏ. Lực ấn lớn có thể làm giảm hiệu suất của dụng cụ, làm giảm tuổi thọ bánh nhám và có thể làm lõm bề mặt vật gia công.

## BẢO TRÌ

### ⚠ CẢN TRỌNG:

- Hãy luôn chắc chắn rằng dụng cụ đã được tắt và ngắt kết nối trước khi cố gắng thực hiện việc kiểm tra hay bảo dưỡng.
- Không bao giờ dùng xăng, ét xăng, dung môi, cồn hoặc hóa chất tương tự. Có thể xảy ra hiện tượng mất màu, biến dạng hoặc nứt vỡ.

## Thay thế các chổi các-bon

Hãy tháo và kiểm tra các chổi các-bon định kỳ. Thay thế khi chổi đã mòn đến vạch giới hạn. Hãy giữ cho các chổi các-bon sạch sẽ và không quấn vào trong các đầu giữ. Các chổi các-bon nên được thay thế cùng lúc. Hãy sử dụng các chổi các-bon giống nhau. **(Hình 7)**

Hãy sử dụng một tuốc-nơ-vít để tháo các nắp giữ chổi. Hãy tháo các chổi các-bon đã bị mòn, lắp vào các chổi mới và vận hành các nắp giữ chổi. **(Hình 8)**

Để đảm bảo AN TOÀN và TIN CẬY của sản phẩm, việc sửa chữa hoặc bất cứ thao tác bảo trì, điều chỉnh nào đều phải được thực hiện bởi các Trung tâm Dịch vụ Được Ủy quyền của Makita (Makita Authorized Service Center), luôn sử dụng các phụ tùng thiết bị thay thế của Makita.

## PHỤ KIỆN TỰY CHỌN

### ⚠ CẢN TRỌNG:

- Các phụ kiện hoặc phụ tùng gắn thêm này được khuyến cáo sử dụng với dụng cụ Makita của bạn theo như quy định trong hướng dẫn này. Việc sử dụng bất cứ phụ kiện hoặc phụ tùng gắn thêm nào khác đều có thể gây ra rủi ro thương tích cho người. Chỉ sử dụng phụ kiện hoặc phụ tùng gắn thêm cho mục đích đã quy định sẵn của chúng.

Nếu bạn cần hỗ trợ để biết thêm chi tiết về những phụ kiện này, hãy liên hệ với Trung tâm Dịch vụ của Makita tại địa phương của bạn.

- Bánh nhám chổi nhựa
- Bánh nhám chổi giấy 120 - 40
- Bánh nhám chổi kim loại 120
- Bánh nhám ni cotton 120
- Bộ nối
- Khóa lục giác

### LƯU Ý:

- Một vài mục trong danh sách có thể được bao gồm trong gói dụng cụ làm phụ kiện tiêu chuẩn. Các thông số kỹ thuật có thể thay đổi tùy theo từng quốc gia.

## คำอธิบายของมุมมองทั่วไป

- |                   |                   |                     |
|-------------------|-------------------|---------------------|
| 1. แป้นเกลียวปีก  | 7. ก้าน           | 13. ข้อต่อ          |
| 2. ลูกล้อด้านหน้า | 8. ประแจหกเหลี่ยม | 14. ด้ามจับ         |
| 3. สวิตช์สั่งงาน  | 9. ร่องบาก        | 15. ที่จับ          |
| 4. ปุ่มล็อค       | 10. สลัก          | 16. ขีดจำกัด        |
| 5. แกนหมุน        | 11. รูปล้อยฝุ่น   | 17. ไขควง           |
| 6. วงล้อ          | 12. แผ่นปิด       | 18. ผาปิดที่ยึดแปรง |

## ข้อมูลจำเพาะ

รุ่น	9741
ขนาดลูกล้อ (เส้นผ่านศูนย์กลาง x ความกว้าง)	100 มม. x 120 มม.
ความเร็วขณะหมุนเปล่า (รอบต่อนาที)	3,500
ขนาด (ยาว x กว้าง x สูง)	310 มม. x 185 มม. x 182 มม.
น้ำหนักสุทธิ	4.2 กก.
มาตรฐานความปลอดภัย	□/II

- เนื่องจากการค้นคว้าวิจัยและพัฒนาอย่างต่อเนื่อง ข้อมูลจำเพาะในเอกสารฉบับนี้อาจเปลี่ยนแปลงได้โดยไม่ต้องแจ้งให้ทราบล่วงหน้า
- ข้อมูลจำเพาะอาจแตกต่างกันไปในแต่ละประเทศ
- น้ำหนักตามข้อบังคับของ EPTA 01/2014

END201-7

ENE053-1

## สัญลักษณ์

ต่อไปนี้เป็นสัญลักษณ์ที่ใช้สำหรับอุปกรณ์

โปรดศึกษาความหมายของสัญลักษณ์ให้เข้าใจก่อนการใช้งาน



...อ่านคู่มือการใช้งาน



..... ฉนวนสองชั้น



..... สำหรับประเทศในสหภาพยุโรปเท่านั้นห้ามทั้งอุปกรณ์ไฟฟ้าหรือชุดแบตเตอรี่ร่วมกับขยะครัวเรือนทั่วไป!

เพื่อให้เป็นไปตามกฎระเบียบของยุโรปเกี่ยวกับขยะจำพวกอุปกรณ์ไฟฟ้าและอิเล็กทรอนิกส์ และการปฏิบัติตามกฎหมายในประเทศ ต้องเก็บอุปกรณ์ไฟฟ้าทั้งหมดอายุการใช้งานแล้วแยกต่างหาก และส่งกลับไปยังศูนย์รีไซเคิลที่เป็นมิตรต่อสิ่งแวดล้อม

## จุดประสงค์ของเครื่องมือ

เครื่องมือนี้ มีจุดประสงค์การใช้งานเพื่อขัดลบสีด้วยวงล้อกระดาษทราย และเพื่อขัดทำความสะอาดโลหะด้วยวงล้อแปรง

ENF002-2

## การจ่ายไฟ

ควรเชื่อมต่อเครื่องมือกับแหล่งจ่ายไฟที่มีแรงดันไฟฟ้าตามที่ระบุไว้ในป้ายข้อมูลของเครื่องมือ และจะต้องใช้ไฟฟ้ากระแสสลับแบบเฟสเดียวเท่านั้น อุปกรณ์นี้ได้รับการหุ้มฉนวนสองชั้นและสามารถใช้กับปลั๊กไฟที่ไม่มีสายดินได้

GEA012-2

## คำเตือนด้านความปลอดภัยของเครื่องมือไฟฟ้าทั่วไป

⚠ คำเตือน: โปรดอ่านคำเตือนด้านความปลอดภัย คำแนะนำภาพประกอบ และข้อมูลจำเพาะต่างๆ ที่ให้มากับเครื่องมือไฟฟ้านี้ อย่างละเอียด การไม่ปฏิบัติตามคำแนะนำดังต่อไปนี้ อาจส่งผลให้เกิดไฟฟ้าช็อต ไฟไหม้ และ/หรือได้รับบาดเจ็บอย่างร้ายแรงได้

# เก็บรักษาตำแหน่งและคำแนะนำทั้งหมดไว้ เป็นข้อมูลอ้างอิงในอนาคต

คำว่า “เครื่องมือไฟฟ้า” ในคำเตือนนี้หมายถึงเครื่องมือไฟฟ้า (มีสาย) ที่ทำงานโดยใช้กระแสไฟฟ้าหรือเครื่องมือไฟฟ้า (ไร้สาย) ที่ทำงานโดยใช้แบตเตอรี่

## ความปลอดภัยของพื้นที่ทำงาน

1. ดูแลพื้นที่ทำงานให้มีความสะอาดและมีแสงไฟสว่าง พื้นที่กระจกกระจกหรือมิดที่บอบบางนำไปสู่การเกิดอุบัติเหตุได้
2. อย่าใช้งานเครื่องมือไฟฟ้าในสภาพที่อาจเกิดการระเบิด เช่น ในสถานที่ที่มีของเหลว ก๊าซ หรือฝุ่นผงที่มีคุณสมบัติไวไฟ เครื่องมือไฟฟ้าอาจสร้างประกายไฟและจุดชนวนฝุ่นผงหรือก๊าซดังกล่าว
3. ดูแลไม่ให้มีเด็ก หรือบุคคลอื่นอยู่ในบริเวณที่กำลังใช้เครื่องมือไฟฟ้า การมีสิ่งรบกวนสมาธิอาจทำให้คุณสูญเสียการควบคุม

## ความปลอดภัยด้านไฟฟ้า

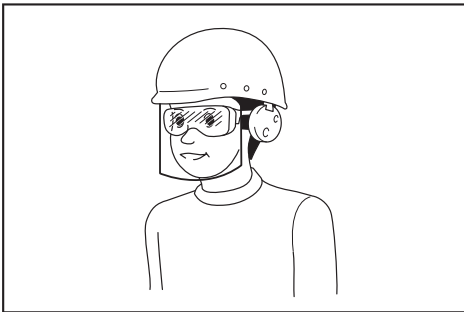
1. ปลั๊กของเครื่องมือไฟฟ้าต้องพอดีกับเต้ารับ อย่าดัดแปลงปลั๊กไม่ว่ากรณีใดๆ อย่าใช้ปลั๊กอะแดปเตอร์กับเครื่องมือไฟฟ้าที่ต่อสายดิน ปลั๊กที่ไม่ถูกต้องและเต้ารับที่เข้ากันพอดีจะช่วยลดความเสี่ยงของการเกิดไฟฟ้าช็อต
2. ระวังอย่าให้ร่างกายสัมผัสกับพื้นผิวที่ต่อสายดิน เช่น ท่อ เครื่องนำความร้อน เตาหุงต้ม และตู้เย็น มีความเสี่ยงที่จะเกิดไฟฟ้าช็อตสูงขึ้น หากร่างกายของคุณสัมผัสกับพื้น
3. อย่าให้เครื่องมือไฟฟ้าถูกน้ำหรืออยู่ในสภาพเปียกชื้น น้ำที่ไหลเข้าไปในเครื่องมือไฟฟ้าจะเพิ่มความเสี่ยงของการเกิดไฟฟ้าช็อต
4. อย่าใช้สายไฟอย่างไม่เหมาะสม อย่าใช้สายไฟเพียงอก ดึง หรือถอดปลั๊กเครื่องมือไฟฟ้า เก็บสายไฟให้ห่างจากความร้อน น้ำมัน ของมีคม หรือชิ้นส่วนที่เคลื่อนที่ สายที่ชำรุดหรือพันกันจะเพิ่มความเสี่ยงของการเกิดไฟฟ้าช็อต
5. ขณะที่ใช้งานเครื่องมือไฟฟ้าในอาคาร ควรใช้สายต่อพ่วงที่เหมาะสมกับงานภายนอกอาคาร การใช้สายที่เหมาะสมกับงานภายนอกอาคารจะลดความเสี่ยงของการเกิดไฟฟ้าช็อต
6. หากต้องใช้งานเครื่องมือไฟฟ้าในสถานที่เปียกชื้น ให้ใช้อุปกรณ์ป้องกันกระแสไฟรั่ว (RCD) การใช้ RCD จะลดความเสี่ยงของการเกิดไฟฟ้าช็อต
7. แนะนำให้ใช้แหล่งจ่ายไฟผ่าน RCD ที่มีกระแสไฟรั่วในอัตราไม่เกิน 30 mA เสมอ

8. เครื่องมือไฟฟ้าอาจสร้างสนามแม่เหล็ก (EMF) ที่ไม่เป็นอันตรายต่อผู้ใช้ อย่างไรก็ตาม ผู้ใช้ที่ใส่เครื่องกระตุ้นหัวใจและอุปกรณ์ทางการแพทย์ที่คล้ายกันนี้ควรติดต่อผู้ผลิตอุปกรณ์และ/หรือแพทย์เพื่อรับคำแนะนำก่อนใช้งานเครื่องมือไฟฟ้านี้
9. อย่าจับปลั๊กไฟด้วยมือที่เปียก
10. หากสายไฟชำรุด โปรดให้ผู้ผลิตหรือตัวแทนของผู้ผลิตเปลี่ยนให้ เพื่อหลีกเลี่ยงอันตราย

## ความปลอดภัยส่วนบุคคล

1. ให้ระมัดระวังและมีสติอยู่เสมอขณะใช้งานเครื่องมือไฟฟ้า ใช้งานเครื่องมือไฟฟ้าในขณะที่คุณกำลังเหนื่อย หรือในสภาพที่มีเมฆมากยาเสพติด เครื่องดื่ม แอลกอฮอล์ หรือการใช้ยาชั่วคราวที่ขาดความระมัดระวังเมื่อกำลังใช้งานเครื่องมือไฟฟ้า อาจทำให้ได้รับบาดเจ็บร้ายแรง
2. ใช้อุปกรณ์ป้องกันส่วนบุคคล สวมแว่นตาป้องกันเสมอ อุปกรณ์ป้องกัน เช่น หน้ากากกันฝุ่น รองเท้านิรภัยกันลื่น หมวกนิรภัย หรือเครื่องป้องกันการได้ยินที่ใช้ในสภาพที่เหมาะสมจะช่วยลดการบาดเจ็บ
3. ป้องกันไม่ให้เกิดการเปิดใช้งานโดยไม่ตั้งใจ ตรวจสอบให้แน่ใจว่าสวิตช์ปิดอยู่ก่อนที่จะเชื่อมต่อกับแหล่งจ่ายไฟ และ/หรือชุดแบตเตอรี่ รวมทั้งตรวจสอบก่อนการยกหรือเคลื่อนย้ายเครื่องมือ การสอดนิ้วมือบริเวณสวิตช์เพื่อถือเครื่องมือไฟฟ้า หรือการชาร์จไฟเครื่องมือไฟฟ้าในขณะที่เปิดสวิตช์อยู่อาจนำไปสู่การเกิดอุบัติเหตุ
4. นำกฎแฉปรับตั้งหรือประแจออกก่อนที่จะเปิดเครื่องมือไฟฟ้า ประแจหรือกฎแฉที่เสียบค้างอยู่ในชิ้นส่วนที่หมุนได้ของเครื่องมือไฟฟ้าอาจทำให้ได้รับบาดเจ็บ
5. อย่าทำงานในระยะเวลาที่สั้นเกินไป จัดทำการยืนและการทรงตัวให้เหมาะสมตลอดเวลา เพราะจะทำให้ควบคุมเครื่องมือไฟฟ้าได้ดีขึ้นในสถานการณ์ที่ไม่คาดคิด
6. แต่งกายให้เหมาะสม อย่าสวมเครื่องแต่งกายที่หลวมเกินไป หรือสวมเครื่องประดับ ดูแลไม่ให้เส้นผมและเสื้อผ้าอยู่ใกล้ชิ้นส่วนที่เคลื่อนที่ เลือ่าง์ร่มร่าม เครื่องประดับ หรือผมที่มีความยาวอาจเข้าไปติดในชิ้นส่วนที่เคลื่อนที่
7. หากมีการจัดอุปกรณ์สำหรับดูดและจัดเก็บฝุ่นไว้ในสถานที่ ให้ตรวจสอบว่าได้เชื่อมต่อและใช้งานอุปกรณ์นี้ได้อย่างเหมาะสม การใช้เครื่องดูดและจัดเก็บฝุ่นจะช่วยลดอันตรายที่เกิดจากฝุ่นผงได้

- อย่าให้ความร้อนจากการใช้งานเครื่องมือเป็นประจำทำให้คุณทำตัวตามสบายและละเลยหลักการเพื่อความปลอดภัยในการใช้เครื่องมือ การกระทำที่ไม่ระมัดระวังอาจทำให้เกิดการบาดเจ็บร้ายแรงภายในเสี้ยววินาที
- สวมใส่แว่นครอบตาที่รับภัยเพื่อปกป้องดวงตาของคุณจากการบาดเจ็บเมื่อใช้เครื่องมือไฟฟ้า แว่นครอบตาจะต้องได้มาตรฐาน ANSI Z87.1 ในสหรัฐฯ, EN 166 ในยุโรป หรือ AS/NZS 1336 ในออสเตรเลีย/นิวซีแลนด์ ในออสเตรเลีย/นิวซีแลนด์ จะต้องสวมเกราะป้องกันใบหน้าเพื่อปกป้องใบหน้าของคุณอย่างถูกต้องตามกฎหมายด้วย



ผู้ว่าจ้างมีหน้าที่รับผิดชอบในการบังคับผู้ใช้งานเครื่องมือและบุคคลอื่น ๆ ที่อยู่ในบริเวณที่ปฏิบัติงานให้ใช้อุปกรณ์ป้องกันที่เหมาะสม

#### การใช้และดูแลเครื่องมือไฟฟ้า

- อย่าฝืนใช้เครื่องมือไฟฟ้า ใช้เครื่องมือไฟฟ้าที่เหมาะสมกับกรใช้งานของคุณ เครื่องมือไฟฟ้าที่เหมาะสมจะทำให้ทำงานที่มีประสิทธิภาพและปลอดภัยกว่าตามขีดความสามารถของเครื่องที่ได้รับการออกแบบมา
- อย่าใช้เครื่องมือไฟฟ้า หากสวิตช์ไม่สามารถเปิดปิดได้ เครื่องมือไฟฟ้าที่ควบคุมด้วยสวิตช์ไม่ได้เป็นสิ่งอันตรายและต้องได้รับการซ่อมแซม
- ถอดปลั๊กจากแหล่งจ่ายไฟ และ/หรือชุดแบตเตอรี่ออกจากเครื่องมือไฟฟ้าก่อนทำการปรับตั้ง เปลี่ยนอุปกรณ์เสริม หรือจัดเก็บเครื่องมือไฟฟ้า วิธีการป้องกันด้านความปลอดภัยดังกล่าวจะช่วยลดความเสี่ยงในการเปิดใช้งานเครื่องมือไฟฟ้าโดยไม่ได้ตั้งใจ
- จัดเก็บเครื่องมือไฟฟ้าที่ไม่ได้ใช้งานให้ห่างจากมือเด็ก และอย่าอนุญาตให้บุคคลที่ไม่คุ้นเคยกับเครื่องมือไฟฟ้าหรือคำแนะนำเหล่านี้ใช้งานเครื่องมือไฟฟ้า เครื่องมือไฟฟ้าจะเป็นอันตรายเมื่ออยู่ในมือของผู้ที่ไม่ได้รับการฝึกอบรม

- บำรุงรักษาเครื่องมือไฟฟ้าและอุปกรณ์เสริม ตรวจสอบการประกอบที่ไม่ถูกต้องหรือการเชื่อมต่อของชิ้นส่วนที่เคลื่อนที่ การแตกหักของชิ้นส่วน หรือสภาพอื่นๆ ที่อาจส่งผลกระทบต่อการทำงานของเครื่องมือไฟฟ้า หากมีความเสียหาย ให้นำเครื่องมือไฟฟ้าไปซ่อมแซมก่อนการใช้งาน อุบัติเหตุจำนวนมากเกิดจากการดูแลรักษาเครื่องมือไฟฟ้าอย่างไม่ถูกต้อง
- ทำความสะอาดเครื่องมือตัดและลับให้คมอยู่เสมอ เครื่องมือการตัดที่มีการดูแลอย่างถูกต้องและมีขอบการตัดคมมักจะมีปัญหาติดขัดน้อยและควบคุมได้ง่ายกว่า
- ใช้เครื่องมือไฟฟ้า อุปกรณ์เสริม และวัสดุสิ้นเปลือง ฯลฯ ตามคำแนะนำดังกล่าว พิจารณาสภาพการทำงานและงานที่จะลงมือทำ การใช้เครื่องมือไฟฟ้าเพื่อทำงานอื่นนอกเหนือจากที่กำหนดไว้อาจทำให้เกิดอันตราย
- ดูเครื่องมือจับและบริเวณมือจับให้แห้ง สะอาด และไม่มีน้ำมันและจาระบีเปื้อน มือจับและบริเวณมือจับที่ลื่นจะทำให้ไม่สามารถจับและควบคุมเครื่องมือได้อย่างปลอดภัยในสถานการณ์ที่ไม่คาดคิด
- ขณะใช้งานเครื่องมือ อย่าสวมใส่ถุงมือผ้าที่อาจเข้าไปติดในเครื่องมือได้ หากถุงมือผ้าเข้าไปติดในชิ้นส่วนที่กำลังเคลื่อนที่อยู่ อาจทำให้ได้รับบาดเจ็บ

#### การซ่อมบำรุง

- นำเครื่องมือไฟฟ้าเข้ารับบริการจากช่างซ่อมที่ผ่านการรับรอง โดยใช้อะไหล่แบบเดียวกันเท่านั้น เพราะจะทำให้การใช้เครื่องมือไฟฟ้ามีความปลอดภัย
- ปฏิบัติตามคำแนะนำในการหล่อลื่นและการเปลี่ยนอุปกรณ์เสริม

GEB146-1

### คำเตือนด้านความปลอดภัยของเครื่องขัดแบบวงล้อ

- ถือเครื่องมือไฟฟ้าที่ด้ามจับหุ้มฉนวนเท่านั้น เนื่องจากวงล้ออาจจะสัมผัสกับสายไฟของเครื่องได้ การตัดสายไฟที่ "มีกระแสไฟฟ้าไหลผ่าน" อาจทำให้ส่วนที่เป็นโลหะของเครื่องมือไฟฟ้าที่ไม่มีฉนวนหุ้ม "มีกระแสไฟฟ้าไหลผ่าน" และทำให้ผู้ปฏิบัติงานถูกไฟฟ้าช็อตได้
- สวมแว่นตาที่รับภัยหรือแว่นครอบตาเสมอ แว่นตาปกติหรือแว่นกันแดดไม่ใช่แว่นที่รับภัย
- ตรวจสอบและกำจัดสิ่งแปลกปลอม เช่น ตะปู สกรู ฯลฯ ออกจากพื้นผิวของชิ้นงานก่อนเริ่มทำงาน
- ยึดชิ้นงานให้แน่น
- อย่าสวมถุงมือในระหว่างทำงาน
- จับเครื่องมือให้แน่นด้วยมือทั้งสองข้าง
- ระวังอย่าให้มือสัมผัสกับชิ้นส่วนที่หมุนได้
- อย่าปล่อยให้เครื่องมือทำงานค้างไว้ ใช้งานเครื่องมือในขณะที่ยึดอยู่เท่านั้น

9. อย่าพยายามใช้เครื่องมือโดยวิธีที่จับหรือสิ่งอื่นๆ จับเครื่องมือ  
หายชิ้น
10. วัสดุบางอย่างอาจมีสารเคมีที่เป็นพิษ ระวังอย่าสูดดมฝุ่นหรือ  
สัมผัสกับผิวหนัง ปฏิบัติตามข้อมูลด้านความปลอดภัยของผู้  
ผลิตวัสดุ
11. การใช้เครื่องมือนี้ขัดผลิตภัณฑ์ สี หรือไม้บางชนิดอาจทำให้ผู้  
ใช้ได้รับฝุ่นที่ประกอบด้วยสารที่เป็นอันตราย ดังนั้นจึงควรใช้  
อุปกรณ์ป้องกันระบบทางเดินหายใจที่เหมาะสม

## ปฏิบัติตามคำแนะนำเหล่านี้

### ⚠ คำเตือน:

อย่าให้ความไม่ระมัดระวังหรือความคุ้นเคยกับผลิตภัณฑ์ (จากการ  
ใช้งานซ้ำหลายครั้ง) อยู่เหนือการปฏิบัติตามกฎเกณฑ์ด้านความ  
ปลอดภัยในการใช้งานผลิตภัณฑ์อย่างเคร่งครัด การใช้งานอย่างไม่  
เหมาะสมหรือการไม่ปฏิบัติตามกฎเกณฑ์ด้านความปลอดภัยใน  
คู่มือการใช้งานนี้อาจทำให้ได้รับบาดเจ็บร้ายแรง

## คำอธิบายการทำงาน

### ⚠ ข้อควรระวัง:

- ตรวจสอบให้แน่ใจว่าสวิตช์เครื่องมืออยู่ในตำแหน่งปิดเครื่อง และ  
ถอดปลั๊กเครื่องมือออกก่อนปรับตั้งหรือตรวจสอบการทำงานของ  
เครื่องมือ

## การปรับลูกล้อด้านหน้า (ภาพที่ 1)

ลูกล้อด้านหน้าช่วยให้คุณใช้แรงกดสู่ชิ้นงานได้อย่างสม่ำเสมอ วิธี  
การปรับลูกล้อด้านหน้า ให้ตั้งเครื่องมือไว้บนพื้นผิวที่เรียบแล้วคลาย  
แป้นเกลียวปีกออก ปรับลูกล้อด้านหน้าขึ้นหรือลงจนกระทั่งมีช่อง  
ว่าง (D) ประมาณ 2 มม. แล้วขันแป้นเกลียวปีกให้แน่น

## การทำงานของสวิตช์ (ภาพที่ 2)

### ⚠ ข้อควรระวัง:

- ก่อนเสียบปลั๊กเครื่องมือ ให้ตรวจสอบว่าสวิตช์สั่งงานสามารถ  
ทำงานได้อย่างถูกต้อง และกลับไปยังตำแหน่ง "OFF" เมื่อปล่อย  
เปิดใช้เครื่องมือโดยดึงสวิตช์สั่งงาน ปล่อยสวิตช์สั่งงานเพื่อหยุด  
ทำงาน

ถ้าต้องการใช้งานอย่างต่อเนื่อง ดึงสวิตช์สั่งงานและกดปุ่มลอค  
ถ้าต้องการเลิกใช้งานเครื่องมือในตำแหน่งลอค ให้ดึงสวิตช์สั่งงาน  
จนสุด จากนั้นปล่อยสวิตช์

## การประกอบ

### ⚠ ข้อควรระวัง:

- ตรวจสอบให้แน่ใจว่าสวิตช์เครื่องมืออยู่ในตำแหน่งปิดเครื่อง และ  
ถอดปลั๊กเครื่องมือออกก่อนดำเนินงานใดๆ กับเครื่องมือ

## การติดตั้งหรือการถอดวงล้อ

วิธีการถอดวงล้อ ให้สอดประแจหกเหลี่ยมเข้าไปยึดปลายของแกน  
หมุนและใช้ประแจหกเหลี่ยมอีกตัวยึดปลายของก้าน หมุนประแจหก  
เหลี่ยมที่ยึดก้านทวนเข็มนาฬิกาโดยจับประแจหกเหลี่ยมที่ยึดแกน  
หมุนให้แน่นเพื่อให้แกนหมุนไม่ขยับ ดึงก้านออกมาจากวงล้อ เลื่อน  
วงล้อออกจากแกนหมุนเล็กน้อยแล้วถอดวงล้อออกจากเครื่องมือ  
(ภาพที่ 3)

### หมายเหตุ:

- ที่ก้านจะมีร่องอยู่ที่ด้านซ้าย
- เมื่อต้องการจะติดตั้งวงล้อกลับเข้ากับเดิม ให้ปฏิบัติย้อนขั้นตอนการ  
ถอด เมื่อติดตั้งวงล้อ ตรวจสอบให้แน่ใจว่าร่องปากที่ล้อตรงกับสลัก  
ของแกนหมุน (ภาพที่ 4)

## การใส่ที่ตักฝุ่น (ภาพที่ 5)

การใช้ที่ตักฝุ่นทำให้การทำงานมีประสิทธิภาพและเก็บกวาดฝุ่นได้  
ง่าย วิธีการใส่ที่ตักฝุ่น ให้เปิดรูปล่อยฝุ่นโดยการเลื่อนฝาครอบชิ้นใน  
ทิศทางตามเข็มนาฬิกา ติดตั้งข้อต่อเข้ากับรูปล่อยฝุ่น ในขั้นตอนนี้  
ที่ตักฝุ่นจะติดตั้งกับเครื่องมือแล้ว

### ⚠ ข้อควรระวัง:

- เมื่อไม่ได้ใช้ที่ตักฝุ่น ให้ปิดรูปล่อยฝุ่นด้วยแผ่นปิด

## การใช้งาน

จับเครื่องมือให้แน่นที่ตามจับและที่จับด้านหน้าด้วยมือทั้งสองข้าง  
วางเครื่องมือที่พื้นผิวของชิ้นงานแล้วเลื่อนเครื่องมือไปด้านหน้าและ  
ถอยหลังซ้ำๆ ในขณะที่ใช้แรงกดเล็กน้อย (ภาพที่ 6)

### ⚠ ข้อควรระวัง:

- ไม่ควรให้เครื่องมือสัมผัสกับพื้นผิวของชิ้นงานในตอนที่คุณเปิด  
หรือปิดเครื่องมือ เนื่องจากอาจทำให้เกิดความเสียหายต่อเครื่อง  
มือหรือชิ้นงานและอาจทำให้ผู้ปฏิบัติงานบาดเจ็บได้
- ใช้แรงกดเล็กน้อยเท่านั้น การใช้แรงกดมากเกินไปอาจเป็นการ  
ลดประสิทธิภาพของเครื่องมือ ทำให้อายุการใช้งานวงล้อสั้นลง  
และอาจทำให้พื้นผิวชิ้นงานเสียหายได้

## การบำรุงรักษา

### ⚠ ข้อควรระวัง:

- ตรวจสอบให้แน่ใจว่าได้ปิดสวิตช์เครื่องมือและถอดปลั๊กออกก่อน  
ทำการตรวจสอบหรือบำรุงรักษา
- อย่าใช้น้ำมันเชื้อเพลิง เบนซิน ทินเนอร์ แอลกอฮอล์ หรือวัสดุ  
ประเภทเดียวกัน เพราะอาจทำให้เครื่องมือมีสีซีดจาง ผิดรูปทรง  
หรือแตกหักได้

## การเปลี่ยนแปรงคาร์บอน

ถอดแปรงคาร์บอนออกมาตรวจสอบเป็นประจำ เปลี่ยนแปรงคาร์บอนเมื่อสีกรหรือจนถึงขีดจำกัด รักษาแปรงคาร์บอนให้สะอาดและอย่าให้แปรงคาร์บอนหลุดเข้าไปในที่ยึด ควรเปลี่ยนแปรงคาร์บอนทั้งสองแปรงพร้อมกัน ใช้แปรงคาร์บอนที่กำหนดเท่านั้น

### (ภาพที่ 7)

ใช้ไขควงเพื่อถอดฝาปิดที่ยึดแปรงออก นำแปรงคาร์บอนที่สีกรออกมา ใส่แปรงคาร์บอนใหม่เข้าไป และปิดฝาปิดที่ยึดแปรงให้แน่น

### (ภาพที่ 8)

เพื่อความปลอดภัยและความน่าเชื่อถือของผลิตภัณฑ์ ควรให้ศูนย์บริการที่ผ่านการรับรองจาก Makita เป็นผู้ดำเนินการซ่อมแซมบำรุงรักษา และทำการปรับตั้งอื่นๆ นอกจากนี้ให้ใช้อะไหล่ของแท้จาก Makita เสมอ

## อุปกรณ์เสริม

### ⚠ ข้อควรระวัง:

- ขอแนะนำให้ใช้เฉพาะอุปกรณ์เสริมหรืออุปกรณ์ต่อพ่วงเหล่านี้กับเครื่องมือ Makita ที่ระบุในคู่มือ การใช้อุปกรณ์เสริมหรืออุปกรณ์ต่อพ่วงอื่นๆ อาจมีความเสี่ยงที่จะได้รับบาดเจ็บ ใช้อุปกรณ์เสริมหรืออุปกรณ์ต่อพ่วงตามวัตถุประสงค์ที่ระบุไว้เท่านั้น

หากคุณต้องการทราบรายละเอียดเกี่ยวกับอุปกรณ์เสริมเหล่านี้ โปรดสอบถามศูนย์บริการ Makita ใกล้บ้านคุณ

- วงล้อแปรงในลอน
- วงล้อกระตาดขนาด 120 - 140
- วงล้อแปรงลวด 120
- วงล้อผ้า 120
- ข้อต่อ
- ประแจหกเหลี่ยม

### หมายเหตุ:

- อุปกรณ์บางรายการอาจรวมอยู่ในชุดอุปกรณ์พื้นฐานของผลิตภัณฑ์ ซึ่งอาจแตกต่างกันไปในแต่ละประเทศ

# Makita Corporation

3-11-8, Sumiyoshi-cho,  
Anjo, Aichi 446-8502 Japan

[www.makita.com](http://www.makita.com)

883611B371

TRD