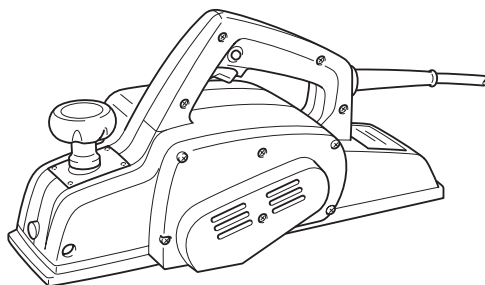




<b>EN</b>	Power Planer	INSTRUCTION MANUAL	4
<b>ZHCN</b>	电刨	使用说明书	10
<b>ID</b>	Mesin Serut Listrik	PETUNJUK PENGGUNAAN	16
<b>MS</b>	Pengetam Kuasa	MANUAL ARAHAN	22
<b>VI</b>	Máy Bào Cầm Tay Hoạt Động Bằng Động Cơ Điện	TÀI LIỆU HƯỚNG DẪN	28
<b>TH</b>	กบไสไม้ไฟฟ้า	คู่มือการใช้งาน	34

# 1911B



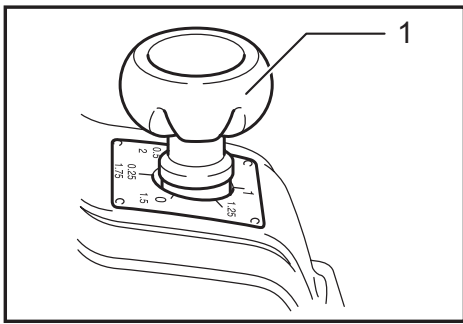


Fig.1

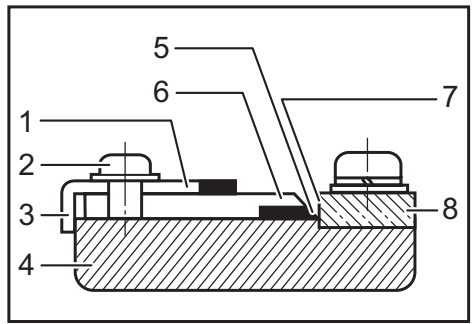


Fig.5

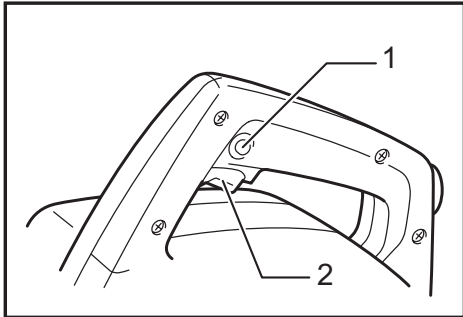


Fig.2

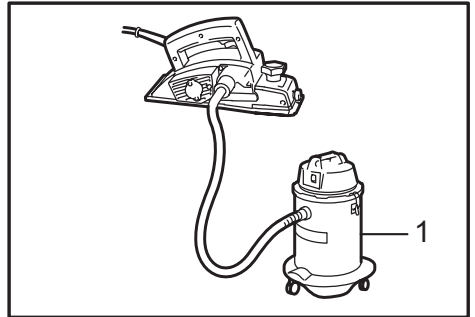


Fig.6

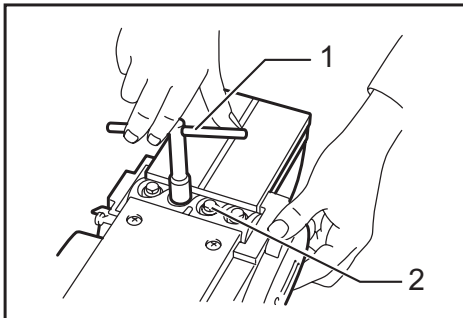


Fig.3

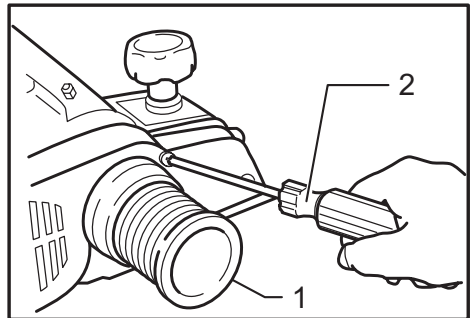


Fig.7

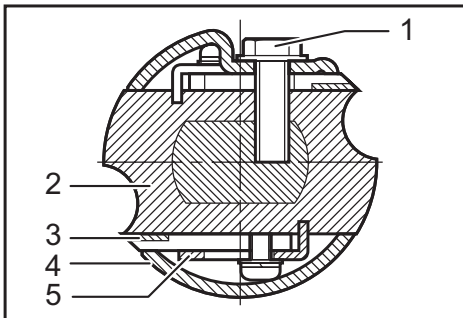


Fig.4

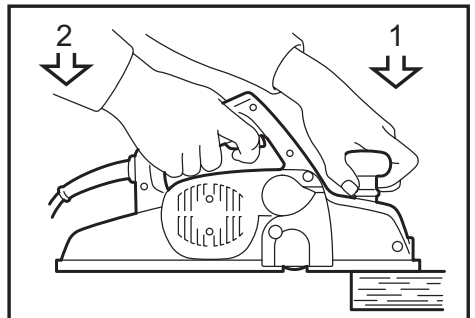


Fig.8

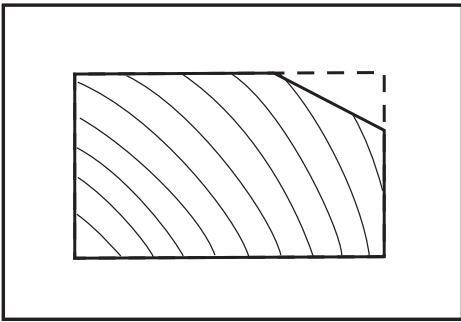


Fig.9

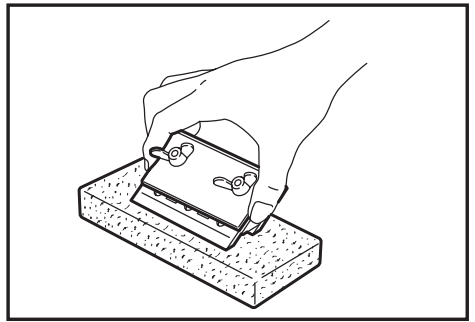


Fig.13

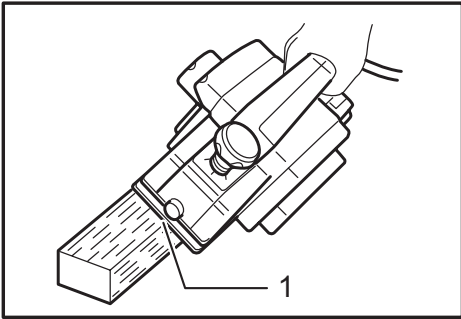


Fig.10

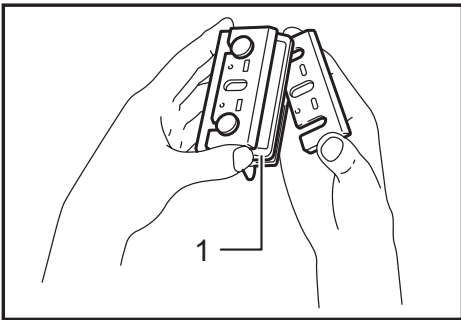


Fig.11

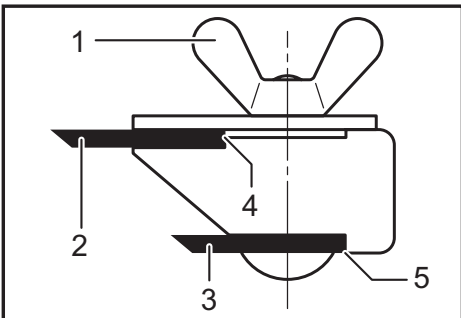


Fig.12




## SPECIFICATIONS

Model	1911B
Planing width	110 mm
Planing depth	2 mm
No load speed (min <sup>-1</sup> )	16,000
Overall length	355 mm
Net weight	4.1 kg
Safety class	□/II

- Due to our continuing program of research and development, the specifications herein are subject to change without notice.
- Specifications may differ from country to country.
- Weight according to EPTA-Procedure 01/2014

## Symbols

The followings show the symbols used for the equipment. Be sure that you understand their meaning before use.

	Read instruction manual.
	DOUBLE INSULATION
	Only for EU countries Do not dispose of electric equipment together with household waste material! In observance of the European Directive, on Waste Electric and Electronic Equipment and its implementation in accordance with national law, electric equipment that have reached the end of their life must be collected separately and returned to an environmentally compatible recycling facility.

## Intended use

The tool is intended for planing wood.

## Power supply

The tool should be connected only to a power supply of the same voltage as indicated on the nameplate, and can only be operated on single-phase AC supply. They are double-insulated and can, therefore, also be used from sockets without earth wire.

## General power tool safety warnings

**⚠ WARNING: Read all safety warnings, instructions, illustrations and specifications provided with this power tool.** Failure to follow all instructions listed below may result in electric shock, fire and/or serious injury.

## Save all warnings and instructions for future reference.

The term "power tool" in the warnings refers to your mains-operated (corded) power tool or battery-operated (cordless) power tool.

### Work area safety

1. **Keep work area clean and well lit.** Cluttered or dark areas invite accidents.
2. **Do not operate power tools in explosive atmospheres, such as in the presence of flammable liquids, gases or dust.** Power tools create sparks which may ignite the dust or fumes.
3. **Keep children and bystanders away while operating a power tool.** Distractions can cause you to lose control.

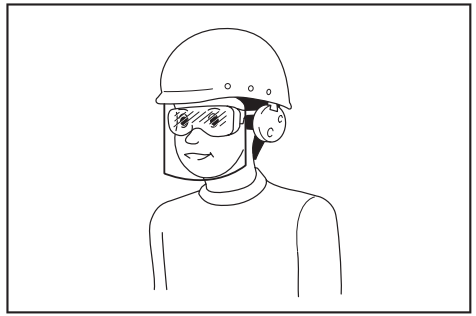
### Electrical safety

1. **Power tool plugs must match the outlet. Never modify the plug in any way. Do not use any adapter plugs with earthed (grounded) power tools.** Unmodified plugs and matching outlets will reduce risk of electric shock.
2. **Avoid body contact with earthed or grounded surfaces, such as pipes, radiators, ranges and refrigerators.** There is an increased risk of electric shock if your body is earthed or grounded.
3. **Do not expose power tools to rain or wet conditions.** Water entering a power tool will increase the risk of electric shock.
4. **Do not abuse the cord. Never use the cord for carrying, pulling or unplugging the power tool. Keep cord away from heat, oil, sharp edges or moving parts.** Damaged or entangled cords increase the risk of electric shock.
5. **When operating a power tool outdoors, use an extension cord suitable for outdoor use.** Use of a cord suitable for outdoor use reduces the risk of electric shock.
6. **If operating a power tool in a damp location is unavoidable, use a residual current device (RCD) protected supply.** Use of an RCD reduces the risk of electric shock.

7. **Use of power supply via an RCD with a rated residual current of 30 mA or less is always recommended.**
8. **Power tools can produce electromagnetic fields (EMF) that are not harmful to the user.** However, users of pacemakers and other similar medical devices should contact the maker of their device and/or doctor for advice before operating this power tool.
9. **Do not touch the power plug with wet hands.**
10. **If the cord is damaged, have it replaced by the manufacturer or his agent in order to avoid a safety hazard.**

#### Personal safety

1. **Stay alert, watch what you are doing and use common sense when operating a power tool. Do not use a power tool while you are tired or under the influence of drugs, alcohol or medication.** A moment of inattention while operating power tools may result in serious personal injury.
2. **Use personal protective equipment. Always wear eye protection.** Protective equipment such as a dust mask, non-skid safety shoes, hard hat or hearing protection used for appropriate conditions will reduce personal injuries.
3. **Prevent unintentional starting. Ensure the switch is in the off-position before connecting to power source and/or battery pack, picking up or carrying the tool.** Carrying power tools with your finger on the switch or energising power tools that have the switch on invites accidents.
4. **Remove any adjusting key or wrench before turning the power tool on.** A wrench or a key left attached to a rotating part of the power tool may result in personal injury.
5. **Do not overreach. Keep proper footing and balance at all times.** This enables better control of the power tool in unexpected situations.
6. **Dress properly. Do not wear loose clothing or jewellery. Keep your hair and clothing away from moving parts.** Loose clothes, jewellery or long hair can be caught in moving parts.
7. **If devices are provided for the connection of dust extraction and collection facilities, ensure these are connected and properly used.** Use of dust collection can reduce dust-related hazards.
8. **Do not let familiarity gained from frequent use of tools allow you to become complacent and ignore tool safety principles.** A careless action can cause severe injury within a fraction of a second.
9. **Always wear protective goggles to protect your eyes from injury when using power tools. The goggles must comply with ANSI Z87.1 in the USA, EN 166 in Europe, or AS/NZS 1336 in Australia/New Zealand. In Australia/New Zealand, it is legally required to wear a face shield to protect your face, too.**



**It is an employer's responsibility to enforce the use of appropriate safety protective equipments by the tool operators and by other persons in the immediate working area.**

#### Power tool use and care

1. **Do not force the power tool. Use the correct power tool for your application.** The correct power tool will do the job better and safer at the rate for which it was designed.
2. **Do not use the power tool if the switch does not turn it on and off.** Any power tool that cannot be controlled with the switch is dangerous and must be repaired.
3. **Disconnect the plug from the power source and/or remove the battery pack, if detachable, from the power tool before making any adjustments, changing accessories, or storing power tools.** Such preventive safety measures reduce the risk of starting the power tool accidentally.
4. **Store idle power tools out of the reach of children and do not allow persons unfamiliar with the power tool or these instructions to operate the power tool.** Power tools are dangerous in the hands of untrained users.
5. **Maintain power tools and accessories. Check for misalignment or binding of moving parts, breakage of parts and any other condition that may affect the power tool's operation. If damaged, have the power tool repaired before use.** Many accidents are caused by poorly maintained power tools.
6. **Keep cutting tools sharp and clean.** Properly maintained cutting tools with sharp cutting edges are less likely to bind and are easier to control.
7. **Use the power tool, accessories and tool bits etc. in accordance with these instructions, taking into account the working conditions and the work to be performed.** Use of the power tool for operations different from those intended could result in a hazardous situation.
8. **Keep handles and grasping surfaces dry, clean and free from oil and grease.** Slippery handles and grasping surfaces do not allow for safe handling and control of the tool in unexpected situations.
9. **When using the tool, do not wear cloth work gloves which may be entangled.** The entanglement of cloth work gloves in the moving parts may result in personal injury.

## Service

1. **Have your power tool serviced by a qualified repair person using only identical replacement parts.** This will ensure that the safety of the power tool is maintained.
2. **Follow instruction for lubricating and changing accessories.**

## Planer Safety Warnings

1. **Wait for the cutter to stop before setting the tool down.** An exposed rotating cutter may engage the surface leading to possible loss of control and serious injury.
2. **Hold the power tool by insulated gripping surfaces, because the cutter may contact its own cord.** Cutting a "live" wire may make exposed metal parts of the power tool "live" and could give the operator an electric shock.
3. **Use clamps or another practical way to secure and support the workpiece to a stable platform.** Holding the workpiece by your hand or against the body leaves it unstable and may lead to loss of control.
4. **Rags, cloth, cord, string and the like should never be left around the work area.**
5. **Avoid cutting nails. Inspect for and remove all nails from the workpiece before operation.**
6. **Use only sharp blades. Handle the blades very carefully.**
7. **Be sure the blade installation bolts are securely tightened before operation.**
8. **Hold the tool firmly with both hands.**
9. **Keep hands away from rotating parts.**
10. **Before using the tool on an actual workpiece, let it run for a while. Watch for vibration or wobbling that could indicate poor installation or a poorly balanced blade.**
11. **Make sure the blade is not contacting the workpiece before the switch is turned on.**
12. **Wait until the blade attains full speed before cutting.**
13. **Always switch off and wait for the blades to come to a complete stop before any adjusting.**
14. **Never stick your finger into the chip chute. Chute may jam when cutting damp wood. Clean out chips with a stick.**
15. **Do not leave the tool running. Operate the tool only when hand-held.**
16. **Always change both blades or covers on the drum, otherwise the resulting imbalance will cause vibration and shorten tool life.**
17. **Use only Makita blades specified in this manual.**
18. **Always use the correct dust mask/respirator for the material and application you are working with.**

## SAVE THESE INSTRUCTIONS.

**⚠WARNING: DO NOT** let comfort or familiarity with product (gained from repeated use) replace strict adherence to safety rules for the subject product.

**MISUSE** or failure to follow the safety rules stated in this instruction manual may cause serious personal injury.

## FUNCTIONAL DESCRIPTION

### ⚠CAUTION:

- Always be sure that the tool is switched off and unplugged before adjusting or checking function on the tool.

## Adjusting depth of cut

► **Fig.1:** 1. Knob

Depth of cut may be adjusted by simply turning the knob on the front of the tool.

## Switch action

### ⚠CAUTION:

- Before plugging in the tool, always check to see that the switch trigger actuates properly and returns to the "OFF" position when released.

► **Fig.2:** 1. Lock button / Lock-off button 2. Switch trigger

## For tool with lock button

To start the tool, simply pull the switch trigger. Release the switch trigger to stop.

For continuous operation, pull the switch trigger and then push in the lock button.

To stop the tool from the locked position, pull the switch trigger fully, then release it.

## For tool with lock-off button

To prevent the switch trigger from being accidentally pulled, a lock-off button is provided.

To start the tool, depress the lock-off button and pull the switch trigger. Release the switch trigger to stop.

# ASSEMBLY

## ⚠ CAUTION:

- Always be sure that the tool is switched off and unplugged before carrying out any work on the tool.

## Removing or installing planer blades

► Fig.3: 1. Socket wrench 2. Installation bolt

## ⚠ CAUTION:

- Tighten the blade installation bolts carefully when attaching the blades to the tool. A loose installation bolt can be dangerous. Always check to see they are tightened securely.
- Handle the blades very carefully. Use gloves or rags to protect your fingers or hands when removing or installing the blades.
- Use only the Makita wrench provided to remove or install the blades. Failure to do so may result in overtightening or insufficient tightening of the installation bolts. This could cause an injury.

To remove the blades on the drum, unscrew the installation bolts with the socket wrench. The drum cover comes off together with the blades.

To install the blades, first clean out all chips or foreign matter adhering to the drum or blades. Use blades of the same dimensions and weight, or drum oscillation/vibration will result, causing poor planing action and, eventually, tool breakdown.

► Fig.4: 1. Bolt 2. Drum 3. Planer blade 4. Drum cover 5. Adjust plate

Place the blade on the gauge base so that the blade edge is perfectly flush with the inside edge of the gauge plate. Place the adjust plate on the blade, then simply press in the heel of the adjust plate flush with the back side of the gauge base and tighten two screws on the adjust plate. Now slip the heel of the adjust plate into the drum groove, then fit the drum cover on it. Tighten the installation bolts evenly and alternately with the socket wrench.

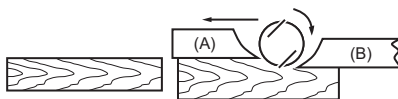
► Fig.5: 1. Adjust plate 2. Screws 3. Heel of adjust plate 4. Back side of gauge base 5. Blade edge 6. Planer blade 7. Inside edge of gauge plate 8. Gauge plate

## For the correct planer blade setting

Your planing surface will end up rough and uneven, unless the blade is set properly and securely. The blade must be mounted so that the cutting edge is absolutely level, that is, parallel to the surface of the rear base. Refer to some examples below for proper and improper settings.

- (A) Front base (Movable shoe)
- (B) Rear base (Stationary shoe)

Correct setting



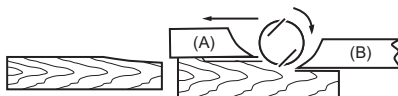
Although this side view cannot show it, the edges of the blades run perfectly parallel to the rear base surface.

Nicks in surface



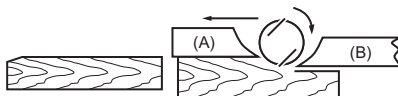
Cause: One or both blades fails to have edge parallel to rear base line.

Gouging at start



Cause: One or both blade edges fails to protrude enough in relation to rear base line.

Gouging at end



Cause: One or both blade edges protrudes too far in relation to rear base line.

## Connecting a vacuum cleaner

**NOTE:** In some countries, the nozzle may not be included in the tool package as standard accessory.

► **Fig.6:** 1. Vacuum cleaner

### For tool with nozzle

Connect a hose of the vacuum cleaner to the nozzle.

### For tool without nozzle

1. Remove the chip cover from the tool.
  2. Install the nozzle on the tool using the screws.
- **Fig.7:** 1. Nozzle assembly 2. Screwdriver
3. Connect a hose of the vacuum cleaner to the nozzle.

## Nozzle cleaning

Clean the nozzle regularly.

Use a compressed air to clean the clogged nozzle.

## OPERATION

**⚠ WARNING:** To reduce the risk of injury to persons, do not operate without nozzle or chip cover in place.

## Planing operation

► **Fig.8:** 1. Start 2. End

First, rest the tool front base flat upon the workpiece surface without the blades making any contact. Switch on and wait until the blades attain full speed. Then move the tool gently forward. Apply pressure on the front of tool at the start of planing, and at the back at the end of planing. Planing will be easier if you incline the workpiece in stationary fashion, so that you can plane somewhat downhill.

The speed and depth of cut determine the kind of finish. The power planer keeps cutting at a speed that will not result in jamming by chips. For rough cutting, the depth of cut can be increased, while for a good finish you should reduce the depth of cut and advance the tool more slowly.

## Chamfering

To make a cut as shown in the figure, align the "V" groove in the front base with the edge of the workpiece and plane it as shown in the figure.

► **Fig.9**

► **Fig.10:** 1. Align the (Y) groove with the edge of the workpiece

## MAINTENANCE

### ⚠ CAUTION:

- Always be sure that the tool is switched off and unplugged before attempting to perform inspection or maintenance.
- Never use gasoline, benzine, thinner, alcohol or the like. Discoloration, deformation or cracks may result.

To maintain product SAFETY and RELIABILITY, repairs, carbon brush inspection and replacement, any other maintenance or adjustment should be performed by Makita Authorized or Factory Service Centers, always using Makita replacement parts.

## Sharpening the planer blades

► **Fig.11:** 1. Sharpening holder

Always keep your blades sharp for the best performance possible. Use the sharpening holder to remove nicks and produce a fine edge.

First, loosen the two wing nuts on the holder and insert the blades (A) and (B), so that they contact the sides (C) and (D). Then tighten the wing nuts.

► **Fig.12:** 1. Wing nut 2. Blade (A) 3. Blade (B) 4. Side (C) 5. Side (D)

Immerse the dressing stone in water for 2 or 3 minutes before sharpening. Hold the holder so that the both blades contact the dressing stone for simultaneous sharpening at the same angle.

► **Fig.13**



# OPTIONAL ACCESSORIES

## **⚠ CAUTION:**

- These accessories or attachments are recommended for use with your Makita tool specified in this manual. The use of any other accessories or attachments might present a risk of injury to persons. Only use accessory or attachment for its stated purpose.

If you need any assistance for more details regarding these accessories, ask your local Makita Service Center.

- High-speed steel Planer blade
- Mini planer blade
- Sharpening holder assembly
- Blade gauge
- Guide rule
- Extension guide set
- Dressing stone
- Nozzle assembly
- Dust bag assembly
- Joint
- Socket wrench

## **NOTE:**

- Some items in the list may be included in the tool package as standard accessories. They may differ from country to country.

## 规格

型号	1911B
刨削宽度	110 mm
刨削深度	2 mm
空载速度 (/min)	16,000
总长度	355 mm
净重	4.1 kg
安全等级	回/II

- 生产者保留变更规格不另行通知之权利。
- 规格可能因销往国家之不同而异。
- 重量符合EPTA-Procedure 01/2014

## 符号

以下显示本工具使用的符号。在使用工具之前请务必理解其含义。



阅读使用说明书。



II类工具



仅限于欧盟国家  
请勿将电气设备与家庭普通废弃物一同丢弃！请务必遵守欧洲关于废弃电子电气设备的指令，根据各国法律法规执行。达到使用寿命的电气设备必须分类回收至符合环境保护规定的再循环机构。

## 用途

本工具用于对木材进行刨削加工。

## 电源

本工具只可连接电压与铭牌所示电压相同的电源，且仅可使用单相交流电源。本工具双重绝缘，因此也可用于不带接地线的插座。

## 电动工具通用安全警告

**警告：** 阅读随电动工具提供的所有安全警告、说明、图示和规定。不遵照以下所列说明会导致电击、着火和 / 或严重伤害。

## 保存所有警告和说明书以备查阅。

警告中的术语“电动工具”是指市电驱动（有线）电动工具或电池驱动（无线）电动工具。

### 工作场地的安全

1. 保持工作场地清洁和明亮。杂乱和黑暗的场地会引发事故。
2. 不要在易爆环境，如有易燃液体、气体或粉尘的环境下操作电动工具。电动工具产生的火花会点燃粉尘或气体。
3. 操作电动工具时，远离儿童和旁观者。注意力不集中会使你失去对工具的控制。

### 电气安全

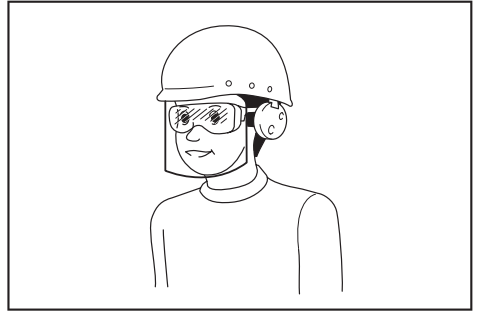
1. 电动工具插头必须与插座相配。绝不能以任何方式改装插头。需接地的电动工具不能使用任何转换插头。未经改装的插头和相配的插座将降低电击风险。
2. 避免人体接触接地表面，如管道、散热片和冰箱。如果你身体接触接地表面会增加电击风险。
3. 不得将电动工具暴露在雨中或潮湿环境中。水进入电动工具将增加电击风险。

4. 不得滥用软线。绝不能用软线搬运、拉动电动工具或拔出其插头。使软线远离热源、油、锐边或运动部件。受损或缠绕的软线会增加电击风险。
5. 当在户外使用电动工具时，使用适合户外使用的延长线。适合户外使用的电线将降低电击风险。
6. 如果无法避免在潮湿环境中操作电动工具，应使用带有剩余电流装置（RCD）保护的电源。RCD的使用可降低电击风险。
7. 始终建议通过额定剩余电流为30 mA或以下的RCD来使用电源。
8. 电动工具会产生对用户无害的电磁场（EMF）。但是，起搏器和其他类似医疗设备的用户应在操作本电动工具前咨询其设备的制造商和/或医生寻求建议。
9. 请勿用湿手触摸电源插头。
10. 如果导线破损，则由制造商或其代理商更换以避免安全隐患。

#### 人身安全

1. 保持警觉，当操作电动工具时关注所从事的操作并保持清醒。当你感到疲倦，或在有药物、酒精或治疗反应时，不要操作电动工具。在操作电动工具时瞬间的疏忽会导致严重人身伤害。
2. 使用个人防护装置。始终佩戴护目镜。防护装置，诸如适当条件下使用防尘面具、防滑安全鞋、安全帽、听力防护等装置能减少人身伤害。
3. 防止意外起动。在连接电源和/或电池包、拿起或搬运工具前确保开关处于关断位置。手指放在开关上搬运工具或开关处于接通时通电会导致危险。
4. 在电动工具接通之前，拿掉所有调节钥匙或扳手。遗留在电动工具旋转零件上的扳手或钥匙会导致人身伤害。
5. 手不要过分伸展。时刻注意立足点和身体平衡。这样能在意外情况下能更好地控制住电动工具。
6. 着装适当。不要穿宽松衣服或佩戴饰品。让你的头发和衣服远离运动部件。宽松衣服、佩饰或长发可能会卷入运动部件。
7. 如果提供了与排屑、集尘设备连接用的装置，要确保其连接完好且使用得当。使用集尘装置可降低尘屑引起的危险。
8. 不要因为频繁使用工具而产生的熟悉感而掉以轻心，忽视工具的安全准则。某个粗心的动作可能在瞬间导致严重的伤害。

9. 使用电动工具时请始终佩带护目镜以免伤害眼睛。护目镜须符合美国ANSI Z87.1、欧洲EN 166或者澳大利亚/新西兰的AS/NZS 1336的规定。在澳大利亚/新西兰，法律要求佩带面罩保护脸部。



雇主有责任监督工具操作者和其他近工作区域人员佩带合适的安全防护设备。

#### 电动工具使用和注意事项

1. 不要勉强使用电动工具，根据用途使用合适的电动工具。选用合适的按照额定值设计的电动工具会使你工作更有效、更安全。
2. 如果开关不能接通或关断电源，则不能使用该电动工具。不能通过开关来控制电动工具是危险的且必须进行修理。
3. 在进行任何调节、更换附件或贮存电动工具之前，必须从电源上拔掉插头和/或卸下电池包（如可拆卸）。这种防护性的安全措施降低了电动工具意外起动的风险。
4. 将闲置不用的电动工具贮存在儿童所及范围之外，并且不允许不熟悉电动工具和不了解这些说明的人操作电动工具。电动工具在未经培训的使用者手中是危险的。
5. 维护电动工具及其附件。检查运动部件是否调整到位或卡住，检查零件破损情况和影响电动工具运行的其他状况。如有损坏，应在使用前修理好电动工具。许多事故是由维护不良的电动工具引发的。
6. 保持切削刀具锋利和清洁。维护良好地有锋利切削刃的刀具不易卡住而且容易控制。
7. 按照使用说明书，并考虑作业条件和要进行的作业来选择电动工具、附件和工具的刀头等。将电动工具用于那些与其用途不符的操作可能会导致危险情况。

- 保持手柄和握持表面干燥、清洁，不得沾有油脂。在意外的情况下，湿滑的手柄不能保证握持的安全和对工具的控制。
- 使用本工具时，请勿佩戴可能会缠绕的布质工作手套。布质工作手套卷入移动部件可能会造成人身伤害。

#### 维修

- 由专业维修人员使用相同的备件维修电动工具。这将保证所维修的电动工具的安全。
- 上润滑油及更换附件时请遵循本说明书指示。

### 电刨安全警告

- 待刀具完全停止后方可放下工具。因为暴露在外的旋转刀具可能会接触放置位置的表面，导致工具失控或严重人身伤害。
- 因为刀具可能会接触到自身的电线，操作工具时请握住工具的绝缘抓握表面。切割到“带电”的电线时，电动工具上曝露的金属部分可能也会“带电”，并使操作者触电。
- 请使用螺丝钳或其他可行的方式将工件夹紧并固定在稳定的平台上。手持工件或将工件抵在身上，可能会导致工件摆放不稳，使工具失去控制。
- 工作场地不可留有破布、衣裳、导线、索线等等。
- 注意不要切割到铁钉。操作之前请检查并清除工件上的所有铁钉。
- 请仅使用锋利的刀片。装卸刀片时，需十分小心。
- 操作前务必检查刀片安装螺栓是否紧固。
- 需用双手握紧工具。
- 手应远离旋转的部件。
- 在实际的工件上使用工具之前，请先让工具空转片刻。请注意，振动或摇摆可能表示安装不当或锯片不平衡。
- 打开开关前，请确认刀片未与工件接触。
- 在开始切割操作前请等待刀片转速达到全速。
- 在进行任何调整前，请务必关闭工具电源并等待刀片完全停止。
- 绝不能用手指挖掘碎屑斜槽。刨削潮湿木材时，斜槽内容易堆积木屑。请用木棒将其清除。
- 运行中的工具不可离手放置。只可在手握工具的情况下操作工具。

- 时常更换刀筒上的刀片或刀盖，以免因经久使用而形成不平衡，导致振动或缩短工具使用寿命。
- 请仅使用本说明书中指定的Makita（牧田）刀片。
- 根据您操作的材料及应用，请务必使用正确的防尘面罩/呼吸器。

### 请保留此说明书。

**警告：** 请勿为图方便或因对产品足够熟悉（由于重复使用而获得的经验）而不严格遵循相关产品安全规则。使用不当或不遵循使用说明书中的安全规则会导致严重的人身伤害。

### 功能描述

#### 小心：

- 在调节或检查工具功能之前，请务必关闭工具电源开关并拔出电源插头。

### 调节切割深度

#### ► 图片1: 1. 旋钮

只需旋转工具正面的旋钮，即可调节切割深度。

### 开关操作

#### 小心：

- 插上工具电源插头之前，请务必确认开关扳机能够正常工作，松开时能回到“OFF”（关闭）位置。

#### ► 图片2: 1. 锁定按钮 / 锁止按钮 2. 开关扳机

### 对于带锁定按钮的工具

启动工具时，只要扣动开关扳机即可。松开开关扳机工具即停止。连续操作时，扣动开关扳机并按下锁定按钮。要从锁定位置停止工具时，可将开关扳机扣到底，然后松开。

### 对于带锁止按钮的工具

为避免使用者不小心扣动开关扳机，本工具采用锁止按钮。要启动工具时，按下锁止按钮，然后扣动开关扳机即可。松开开关扳机，工具即停止。

## 装配

### ⚠️小心：

- 对工具进行任何装配操作前请务必确认工具已关闭且已拔下电源插头。

## 拆下或安装刨刀片

▶ **图片3:** 1. 套筒扳手 2. 安装螺栓

### ⚠️小心：

- 安装刀片至工具时，请小心地将刀片安装螺栓旋紧。安装螺栓出现松动会非常危险。请务必检查安装螺栓是否已紧固。
- 装卸刀片时，需十分小心。拆卸或安装刀片时，请使用手套或破布保护您的手指或手部。
- 请仅使用提供的Makita（牧田）扳手来拆卸或安装刀片。否则，可能会导致安装螺栓安装过紧或者过松。这样可能会造成人身伤害。

拆卸刀筒上的刀片时，请使用套筒扳手旋下安装螺栓。刀筒盖可与刀片同时拆下。安装刀片时，首先清除吸附在刀筒或刀片上的所有碎屑或异物。使用具有同样尺寸和重量的刀片，否则会造成刀筒振动，从而造成刨削动作不良，以至损坏工具。

▶ **图片4:** 1. 螺栓 2. 刀筒 3. 刨刀片 4. 刀筒盖 5. 调整板

将刀片放在量规基板上，使刀片刀锋与量规定位板的内缘完全齐平。将调整板放在刀片上，然后只需按下与量规基板后侧齐平的调整板后跟，并将调整板上的两个螺丝拧紧即可。现在将调整板的后跟滑进刀筒凹槽中，然后将刀筒盖盖上。最后，使用套筒扳手均匀、交替地旋紧安装螺栓。

▶ **图片5:** 1. 调整板 2. 螺丝 3. 调整板后跟 4. 量规基板后缘 5. 刀片的刀锋 6. 刨刀片 7. 量规定位板内缘 8. 量规定位板

## 刨刀片的正确安装

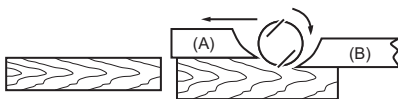
刀片如未正确安装，则无法在工件上刨出平滑而水平的刨削面。刀片安装后其切割边须处于绝对水平位置，与后刨板平行。

以下为正确及错误调整示例。

(A) 前刨板（可移动）

(B) 后刨板（固定）

正确的安装



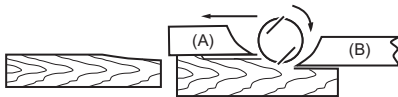
虽然该侧视图无法显示实际情况，但刀锋完全与后刨板平行。

表面有刻痕



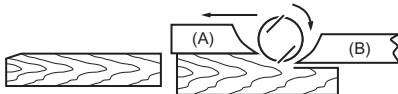
原因：一片或两片刀片的刀锋不平行于后刨板基线。

前端有凹陷



原因：一片或两片刀片的刀锋高于后刨板基线距离不够。

尾端有凹陷



原因：一片或两片刀片的刀锋距离后刨板基线过高。

## 连接集尘器

**注：**部分国家集尘口不是标准配件，不包含在工具包装内。

### ► 图片6： 1. 集尘器

### 对于有集尘口的工具

将集尘器的软管连接至集尘口。

### 对于没有集尘口的工具

1. 从工具上拆下碎屑盖板。
  2. 使用螺丝将集尘口安装在工具上。
- 图片7： 1. 集尘口组件 2. 螺丝起子
3. 将集尘器的软管连接至集尘口。

## 集尘口清洁

定期清洁集尘口。  
使用压缩空气清洁堵塞的集尘口。

## 操作

**警告：**为降低人身伤害风险，请勿在集尘口或碎屑盖板未安装到位时进行操作。

## 刨削操作

### ► 图片8： 1. 开始 2. 结束

首先，将工具前刨板平靠在工件表面，切勿使刀片与工件有任何接触。启动工具并等待刀片达到全速运转后再进行操作。然后将工具轻轻向前移动。刨削开始时在工具的前端施力，在刨削结束时在工具的后端施力。如果您以固定方式倾斜工件，将更容易进行刨削，因此您可以略微向下进行刨削。刨削速度与刨削深度可决定刨削面的性质。保持电刨以一定速度进行刨削将不会被碎屑卡住。进行粗切削时，刨削深度将增加，为获得良好的磨光效果，您应该减小刨削深度并使工具前进速度减慢。

## 斜刨削

按照图示进行切削时，将前刨板的“V”形槽与工件边缘对齐，然后进行刨削。

### ► 图片9

### ► 图片10： 1. 将(Y)槽与工件边缘对齐

## 保养

### 小心：

- 检查或保养工具之前，请务必关闭工具电源开关并拔下插头。
- 切勿使用汽油、苯、稀释剂、酒精或类似物品清洁工具。否则可能会导致工具变色、变形或出现裂缝。

为了保证产品的安全性与可靠性，任何维修、碳刷检查、更换部件或其它维修保养工作需由Makita（牧田）授权或工厂服务中心完成。务必使用Makita（牧田）的替换部件。

## 研磨刨刀片

### ► 图片11： 1. 刨刀夹

请保持刀片锐利，以便达到最佳的刨削效果。使用刨刀夹磨除刀锋上的缺口，提高刀刃的锋利度。

首先，松开刨刀夹上的两个蝶形螺母，并插入刀片（A）及刀片（B），使两刀片背缘分别接触到（C）及（D）侧。然后旋紧蝶形螺母。

### ► 图片12： 1. 蝶形螺母 2. 刀片（A） 3. 刀片（B） 4. （C）侧 5. （D）侧

研磨前，将磨刀石浸水2或3分钟。握住刨刀夹，使其上的两个刀片接触磨刀石，这样可使两刀片同时并以相同的角度进行研磨。

### ► 图片13

## 选购附件

### 小心：

- 这些附件或装置专用于本说明书所列的 **Makita**（牧田）电动工具。其他附件或装置的使用可能会有人身伤害风险。仅可将附件或装置用于规定目的。

如您需要了解更多关于这些选购附件的信息，请咨询当地的 **Makita**（牧田）维修服务中心。

- 高速钢刨刀片
- 小型刨刀片
- 刨刀夹组件
- 刀口规
- 导尺
- 延伸导板套件
- 磨刀石
- 集尘口组件
- 集尘袋组件
- 接头
- 套筒扳手

### 注：

- 本列表中的一些部件可能作为标准附件包含于工具包装内。它们可能因销往国家之不同而异。

## SPEKIFIKASI

Model	1911B
Lebar penyerutan	110 mm
Kedalaman penyerutan	2 mm
Kecepatan tanpa beban (min <sup>-1</sup> )	16.000
Panjang keseluruhan	355 mm
Berat bersih	4,1 kg
Kelas keamanan	□/II

- Karena kesinambungan program penelitian dan pengembangan kami, spesifikasi yang disebutkan di sini dapat berubah tanpa pemberitahuan.
- Spesifikasi dapat berbeda dari satu negara ke negara lainnya.
- Berat menurut Prosedur EPTA 01/2014

## Simbol

Berikut ini adalah simbol-simbol yang digunakan pada peralatan ini. Pastikan Anda mengerti makna masing-masing simbol sebelum menggunakan alat.



Baca petunjuk penggunaan.



ISOLASI GANDA



Hanya untuk negara-negara Uni Eropa  
Jangan membuang peralatan listrik atau baterai bersama-sama dengan bahan limbah rumah tangga! Dengan memerhatikan Petunjuk Eropa, tentang Limbah Peralatan Listrik dan Elektronik serta pelaksanaannya sesuai dengan ketentuan hukum nasional, peralatan listrik yang telah habis umur pakainya harus dikumpulkan secara terpisah dan dikembalikan ke fasilitas daur ulang yang kompatibel secara lingkungan.

## Penggunaan

Mesin ini digunakan untuk menyerut kayu.

## Pasokan daya

Mesin harus terhubung dengan pasokan daya listrik yang bervoltase sama dengan yang tertera pada pelat nama, dan hanya dapat dijalankan dengan listrik AC fase tunggal. Mesin diisolasi ganda dan oleh sebab itu dapat dihubungkan dengan soket tanpa kabel.

## Peringatan keselamatan umum mesin listrik

**⚠ PERINGATAN:** Bacalah semua peringatan keselamatan, petunjuk, ilustrasi dan spesifikasi yang disertakan bersama mesin listrik ini. Kelalaian untuk mematuhi semua petunjuk yang tercantum di bawah ini dapat menyebabkan sengatan listrik, kebakaran dan/atau cedera serius.

## Simpanlah semua peringatan dan petunjuk untuk acuan di masa depan.

Istilah “mesin listrik” dalam semua peringatan mengacu pada mesin listrik yang dijalankan dengan sumber listrik jala-jala (berkabel) atau baterai (tanpa kabel).

### Keselamatan tempat kerja

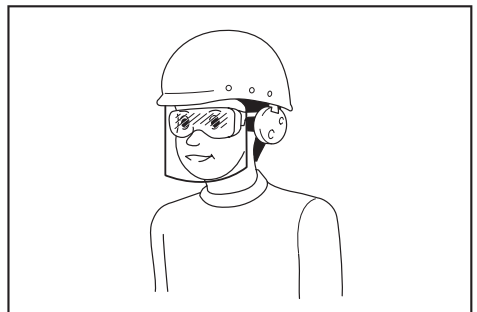
1. **Jaga tempat kerja selalu bersih dan berpenerangan cukup.** Tempat kerja yang berantakan dan gelap mengundang kecelakaan.
2. **Jangan gunakan mesin listrik dalam lingkungan yang mudah meledak, misalnya jika ada cairan, gas, atau debu yang mudah menyala.** Mesin listrik menimbulkan bunga api yang dapat menyalaikan debu atau uap tersebut.
3. **Jauhkan anak-anak dan orang lain saat menggunakan mesin listrik.** Bila perhatian terpecah, anda dapat kehilangan kendali.

### Keselamatan Kelistrikan

1. **Steker mesin listrik harus cocok dengan stopkontak. Jangan sekali-kali mengubah steker dengan cara apa pun. Jangan menggunakan steker adaptor dengan mesin listrik terbumi (dibumikan).** Steker yang tidak diubah dan stopkontak yang cocok akan mengurangi risiko sengatan listrik.
2. **Hindari sentuhan tubuh dengan permukaan terbumi atau yang dibumikan seperti pipa, radiator, kompor, dan kulkas.** Risiko sengatan listrik bertambah jika tubuh Anda terbumikan atau dibumikan.
3. **Jangan membiarkan mesin listrik kehujanan atau kebasahan.** Air yang masuk ke dalam mesin listrik akan meningkatkan risiko sengatan listrik.
4. **Jangan menyalahgunakan kabel. Jangan sekali-kali menggunakan kabel untuk membawa, menarik, atau mencabut mesin listrik dari stopkontak. Jauhkan kabel dari panas, minyak, tepian tajam, atau bagian yang bergerak.** Kabel yang rusak atau kusut memperbesar risiko sengatan listrik.



5. **Bila menggunakan mesin listrik di luar ruangan, gunakan kabel ekstensi yang sesuai untuk penggunaan di luar ruangan.** Penggunaan kabel yang sesuai untuk penggunaan luar ruangan mengurangi risiko sengatan listrik.
6. **Jika mengoperasikan mesin listrik di lokasi lembap tidak terhindarkan, gunakan pasokan daya yang dilindungi peranti imbasan arus (residual current device - RCD).** Penggunaan RCD mengurangi risiko sengatan listrik.
7. **Penggunaan pasokan daya melalui RCD dengan kapasitas arus sisa 30 mA atau kurang selalu dianjurkan.**
8. **Mesin listrik dapat menghasilkan medan magnet (EMF) yang tidak berbahaya bagi pengguna.** Namun, pengguna alat pacu jantung atau peralatan medis sejenisnya harus berkonsultasi dengan produsen peralatan tersebut dan/atau dokter mereka sebelum mengoperasikan mesin listrik ini.
9. **Jangan menyentuh colokan daya dengan tangan basah.**
10. **Jika kabel rusak, penggantian harus dilakukan oleh produsen atau agennya untuk menghindari bahaya keselamatan.**
7. **Jika tersedia fasilitas untuk menghisap dan mengumpulkan debu, pastikan fasilitas tersebut terhubung listrik dan digunakan dengan baik.** Penggunaan pembersih debu dapat mengurangi bahaya yang terkait dengan debu.
8. **Jangan sampai Anda lengah dan mengabaikan prinsip keselamatan mesin ini hanya karena sudah sering mengoperasikannya dan sudah merasa terbiasa.** Tindakan yang lalai dapat menyebabkan cedera berat dalam sepersekian detik saja.
9. **Selalu kenakan kacamata pelindung untuk melindungi mata dari cedera saat menggunakan mesin listrik.** Kacamata harus sesuai dengan ANSI Z87.1 di Amerika Serikat, EN 166 di Eropa, atau AS/NZS 1336 di Australia/Selandia Baru. Di Australia/Selandia Baru, secara hukum Anda juga diwajibkan mengenakan pelindung wajah untuk melindungi wajah Anda.



**Menjadi tanggung jawab atasan untuk menerapkan penggunaan alat pelindung keselamatan yang tepat bagi operator mesin dan orang lain yang berada di area kerja saat itu.**

#### **Keselamatan Diri**

1. **Jaga kewaspadaan, perhatikan pekerjaan Anda dan gunakan akal sehat bila menggunakan mesin listrik.** Jangan menggunakan mesin listrik saat Anda lelah atau di bawah pengaruh obat bius, alkohol, atau obat. Sekejap saja lalai saat menggunakan mesin listrik dapat menyebabkan cedera badan serius.
2. **Gunakan alat pelindung diri.** Selalu gunakan pelindung mata. Peralatan pelindung seperti masker debu, sepatu pengaman anti-selip, helm pengaman, atau pelindung telinga yang digunakan untuk kondisi yang sesuai akan mengurangi risiko cedera badan.
3. **Cegah penyalaan yang tidak disengaja.** Pastikan bahwa sakelar berada dalam posisi mati (off) sebelum menghubungkan mesin ke sumber daya dan/atau paket baterai, atau mengangkat atau membawanya. Membawa mesin listrik dengan jari Anda pada sakelarnya atau mengalirkan listrik pada mesin listrik yang sakelarnya hidup (on) akan mengundang kecelakaan.
4. **Lepaskan kunci-kunci penyetel sebelum menghidupkan mesin listrik.** Kunci-kunci yang masih terpasang pada bagian mesin listrik yang berputar dapat menyebabkan cedera.
5. **Jangan meraih terlalu jauh. Jagalah pijakan dan keseimbangan sepanjang waktu.** Hal ini memungkinkan kendali yang lebih baik atas mesin listrik dalam situasi yang tidak diharapkan.
6. **Kenakan pakaian yang memadai.** Jangan memakai pakaian yang longgar atau perhiasan. Jaga jarak antara rambut dan pakaian Anda dengan komponen mesin yang bergerak. Pakaian yang longgar, perhiasan, atau rambut yang panjang dapat tersangkut pada komponen yang bergerak.

#### **Penggunaan dan pemeliharaan mesin listrik**

1. **Jangan memaksa mesin listrik.** Gunakan mesin listrik yang tepat untuk keperluan Anda. Mesin listrik yang tepat akan menuntaskan pekerjaan dengan lebih baik dan aman pada kecepatan sesuai rancangannya.
2. **Jangan gunakan mesin listrik jika sakelar tidak dapat menyalakan dan mematikannya.** Mesin listrik yang tidak dapat dikendalikan dengan sakelarnya adalah berbahaya dan harus diperbaiki.
3. **Cabut steker dari sumber listrik dan/atau lepas paket baterai, jika dapat dilepas, dari mesin listrik sebelum melakukan penyetelan apa pun, mengganti aksesori, atau menyimpan mesin listrik.** Langkah keselamatan preventif tersebut mengurangi risiko hidupnya mesin secara tak sengaja.
4. **Simpan mesin listrik jauh dari jangkauan anak-anak dan jangan biarkan orang yang tidak paham mengenai mesin listrik tersebut atau petunjuk ini menggunakan mesin listrik.** Mesin listrik sangat berbahaya di tangan pengguna yang tak terlatih.

5. **Rawatlah mesin listrik dan aksesorinya. Periksa apakah ada komponen bergerak yang tidak lurus atau macet, komponen yang pecah, dan kondisi-kondisi lain yang dapat memengaruhi pengoperasian mesin listrik. Jika rusak, perbaiki dahulu mesin listrik sebelum digunakan.** Banyak kecelakaan disebabkan oleh kurangnya pemeliharaan mesin listrik.
6. **Jaga agar mesin pemotong tetap tajam dan bersih.** Mesin pemotong yang terawat baik dengan mata pemotong yang tajam tidak mudah macet dan lebih mudah dikendalikan.
7. **Gunakan mesin listrik, aksesorinya, dan mata mesin, dll. sesuai dengan petunjuk ini, dengan memperhitungkan kondisi kerja dan jenis pekerjaan yang dilakukan.** Penggunaan mesin listrik untuk penggunaan yang lain dari peruntukan dapat menimbulkan situasi berbahaya.
8. **Jagalah agar gagang dan permukaan pegangan tetap kering, bersih, dan bebas dari minyak dan pelumas.** Gagang dan permukaan pegangan yang licin tidak mendukung keamanan penanganan dan pengendalian mesin dalam situasi-situasi tak terduga.
9. **Ketika menggunakan mesin, jangan menggunakan sarung tangan kain yang dapat tersangkut.** Sarung tangan kain yang tersangkut pada komponen bergerak dapat mengakibatkan cedera pada pengguna.
6. **Gunakan hanya mata pisau yang tajam.** Tangani mata pisau dengan sangat hati-hati.
7. **Pastikan bahwa baut-baut pengikat mata pisau benar-benar terpasang dengan kuat sebelum pengoperasian.**
8. **Pegang mesin kuat-kuat dengan kedua tangan.**
9. **Jauhkan tangan dari bagian yang berputar.**
10. **Sebelum menggunakan mesin pada benda kerja yang sebenarnya, jalankan mesin sebentar. Perhatikan akan adanya getaran atau goyangan yang dapat menunjukkan lemahnya pemasangan atau mata pisau yang kurang seimbang.**
11. **Pastikan bahwa mata pisau tidak menyentuh benda kerja sebelum sakelar dinyalakan.**
12. **Tunggu sampai mata pisau mencapai kecepatan penuh sebelum memotong.**
13. **Selalu matikan dan tunggu sampai mata pisau benar-benar berhenti sebelum melakukan penyetelan apapun.**
14. **Jangan pernah menempelkan jari Anda pada saluran pembuangan serpihan kayu. Saluran pembuangan bisa macet ketika memotong kayu basah. Bersihkan serpihan-serpihan kayu dengan menggunakan stik.**
15. **Jangan meninggalkan mesin dalam keadaan hidup. Jalankan mesin hanya ketika digenggam dengan tangan.**
16. **Selalu ganti kedua mata pisau atau tutup-tutup pada teromol, jika tidak, ketidakseimbangan yang terjadi akan menyebabkan getaran dan memperpendek usia pakai mesin.**
17. **Gunakan hanya mata pisau Makita yang ditentukan dalam petunjuk ini.**
18. **Selalu gunakan masker debu/alat pernafasan yang tepat sesuai bahan dan pekerjaan yang sedang Anda kerjakan.**

#### Servis

1. **Berikan mesin listrik untuk diperbaiki hanya kepada oleh teknisi yang berkualifikasi dengan menggunakan hanya suku cadang pengganti yang serupa.** Hal ini akan menjamin terjaganya keamanan mesin listrik.
2. **Patuhi petunjuk pelumasan dan penggantian aksesorinya.**

### Peringatan Keselamatan Mesin Serut

1. **Tunggu sampai pemotong berhenti sebelum menyetel mesin.** Pemotong yang berputar dapat bersentuhan dengan permukaan, yang bisa menyebabkan kehilangan kendali dan cedera serius.
2. **Pegang mesin listrik pada permukaan genggam yang terisolasi, karena permukaan pemotong dapat bersentuhan dengan kabelnya sendiri.** Memotong kawat "hidup" dapat menyebabkan bagian logam pada mesin teraliri arus listrik dan menyengat pengguna.
3. **Gunakan klem atau cara praktis lainnya untuk mengikat dan menahan benda kerja pada posisi yang stabil.** Menahan benda kerja dengan tangan Anda atau berada pada posisi berlawanan dengan badan membuat benda kerja tidak stabil dan dapat menyebabkan kehilangan kendali.
4. **Lap, kain, kabel, tali dan sejenisnya jangan pernah dibiarkan berada di sekitar tempat kerja.**
5. **Hindari memotong paku.** Periksa dan buang semua paku dari benda kerja sebelum penggunaan.

### SIMPAN PETUNJUK INI.

**PERINGATAN:** JANGAN biarkan kenyamanan atau terbiasanya Anda dengan produk (karena penggunaan berulang) mengurangi kepatuhan yang ketat terhadap aturan keselamatan untuk produk yang terkait.

**PENYALAHGUNAAN** atau kelalaian mematuhi kaidah keselamatan yang tertera dalam petunjuk ini dapat menyebabkan cedera badan serius.

## DESKRIPSI FUNGSI

### **⚠️ PERHATIAN:**

- Selalu pastikan bahwa mesin dalam keadaan mati dan steker tercabut sebelum menyatel atau memeriksa kerja mesin.

## Menyetel kedalaman pemotongan

### ► **Gbr.1:** 1. Knop

Kedalaman pemotongan dapat disetel cukup dengan memutar tombol di depan mesin.

## Kerja sakelar

### **⚠️ PERHATIAN:**

- Sebelum memasukkan steker, selalu pastikan pelatuk sakelar berfungsi dengan baik dan kembali ke posisi "MATI" saat dilepas.

### ► **Gbr.2:** 1. Tombol kunci / Tombol buka kunci 2. Pelatuk sakelar

## Untuk mesin dengan tombol kunci

Untuk menjalankan mesin, cukup tarik pelatuk sakelar.

Lepaskan pelatuk sakelar untuk berhenti.

Untuk penggunaan terus-menerus, tarik pelatuk sakelar dan kemudian tekan tombol kunci.

Untuk membuka penguncian mesin, tarik pelatuk sakelar sampai penuh, lalu lepaskan.

## Untuk mesin dengan tombol buka kunci

Untuk mencegah pelatuk sakelar tertarik dengan tidak sengaja, tersedia sebuah tombol buka kunci.

Untuk menjalankan mesin, tekan tombol buka kunci dan tarik pelatuk sakelar. Lepaskan pelatuk sakelar untuk berhenti.

## PERAKITAN

### **⚠️ PERHATIAN:**

- Pastikan bahwa mesin dalam keadaan mati dan steker tercabut sebelum melakukan pekerjaan apa pun pada mesin.

## Melepas atau memasang mata pisau serut

### ► **Gbr.3:** 1. Kunci soket 2. Baut pemasangan

### **⚠️ PERHATIAN:**

- Kencangkan baut-baut pengikat mata pisau dengan saksama ketika memasang mata pisau pada mesin. Baut pemasangan yang kendur bisa berbahaya. Selalu periksa apakah baut-baut tersebut terpasang dengan kuat.
- Tangani mata pisau dengan sangat hati-hati. Gunakan sarung tangan atau lap untuk melindungi jari-jari atau tangan Anda ketika melepas dan memasang mata mesin.
- Gunakan hanya kunci pas Makita yang tersedia ketika melepas atau memasang mata pisau. Kelalaian dalam melakukannya dapat mengakibatkan terlalu kencang atau kurang kencangnya baut-baut pengikat. Hal ini bisa menyebabkan cedera.

Untuk melepas mata mesin pada teromol, lepas baut-baut pengikat dengan menggunakan kunci soket. Tutup teromol akan terlepas bersama mata pisainya.

Untuk memasang mata pisau, pertama-tama bersihkan semua serpihan kayu atau benda asing yang menempel pada teromol atau mata pisau. Gunakan mata pisau dengan dimensi dan berat yang sama, jika tidak, akan terjadi goyangan/getaran pada teromol yang menyebabkan kerja penyerutan kurang baik dan akhirnya mesin rusak.

### ► **Gbr.4:** 1. Baut 2. Teromol 3. Mata pisau serut 4. Tutup teromol 5. Pelat penyetel

Posisikan mata pisau pada dudukan pengukur sehingga tepi mata pisau berada tepat pada tepi dalam pelat pengukur. Posisikan pelat penyetel pada mata mesin, kemudian cukup dorong tumit pelat penyetel ke dalam sehingga tepat berada pada sisi belakang dudukan pengukur lalu kencangkan dua sekrup pada pelat penyetel. Sekarang geser tumit pelat penyetel ke dalam alur teromol, kemudian pasang tutup teromol. Kencangkan baut-baut pemasangan secara merata dan bergantian dengan menggunakan kunci soket.

### ► **Gbr.5:** 1. Pelat penyetel 2. Sekrup 3. Tumit pelat penyetel 4. Sisi belakang dudukan pengukur 5. Tepi mata pisau 6. Mata pisau serut 7. Tepi dalam pelat pengukur 8. Pelat pengukur

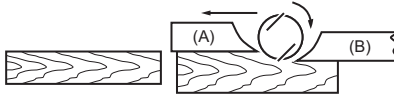
## Untuk pengaturan mata pisau serut yang tepat

Permukaan penyerutan Anda akan menjadi kasar dan tidak rata, kecuali jika mata pisau terpasang dengan baik dan kuat. Mata pisau harus dipasang sedemikian rupa sehingga tepi pemotongan menjadi benar-benar rata, yaitu sejajar terhadap permukaan dudukan belakang.

Silakan mengacu pada beberapa contoh di bawah ini untuk penyetulan yang benar dan yang salah.

- (A) Dudukan depan (Sepatu bergerak)
- (B) Dudukan belakang (Sepatu stasioner)

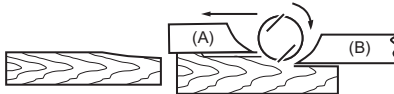
Penyetelan yang tepat



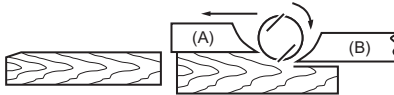
Takik-takik pada permukaan



Tercungkil di awal



Tercungkil di akhir



Meskipun tampak samping ini tidak bisa memperlihatkan hal tersebut, tepi mata pisau bergerak dengan sempurna sejajar terhadap permukaan dudukan belakang.

Penyebab: Tepi salah satu atau kedua mata pisau tidak sejajar terhadap garis dudukan belakang.

Penyebab: Tepi salah satu atau kedua mata mesin tidak cukup menonjol mengenai garis dudukan belakang.

Penyebab: Tepi salah satu atau kedua mata mesin terlalu menonjol mengenai garis dudukan belakang.

## Menyambungkan pengisap debu

**CATATAN:** Di beberapa negara, nosel mungkin belum termasuk dalam paket mesin sebagai aksesoris standar.

► **Gbr.6:** 1. Pengisap debu

## Untuk mesin dengan nosel

Sambungkan selang pengisap debu ke nosel.

## Untuk mesin tanpa nosel

1. Lepaskan penutup serbuk kayu dari mesin.
  2. Pasang nosel pada mesin menggunakan sekrup.
- **Gbr.7:** 1. Rakitan nosel 2. Obeng
3. Sambungkan selang pengisap debu ke nosel.

## Pembersihan nosel

Bersihkan nosel secara berkala. Gunakan udara terkompresi untuk membersihkan nosel yang tersumbat.

## PENGOPERASIAN

**⚠ PERINGATAN:** Untuk mengurangi risiko cedera pada orang, jangan operasikan dengan nosel atau tutup serpihan kayu tidak terpasang.

## Operasi penyerutan

► **Gbr.8:** 1. Awal 2. Akhir

Pertama-tama, posisikan dudukan depan mesin mendatar di atas benda kerja dengan kondisi mata pisau tidak menyentuh apa pun. Nyalakan dan tunggu sampai mata pisau mencapai kecepatan penuh. Kemudian gerakkan mesin arah maju dengan hati-hati. Beri tekanan pada bagian depan mesin saat awal penyerutan, dan di bagian belakang saat akhir penyerutan. Penyerutan akan lebih mudah jika Anda menjungkitkan sedikit benda kerja dalam posisi yang mantap, sehingga Anda bisa menyerut agak sedikit menurun.

Kecepatan dan kedalaman pemotongan akan menentukan jenis hasil akhirnya. Mesin serut listrik menjaga agar pemotongan tetap pada kecepatan yang tidak akan menyebabkan macet akibat adanya serpihan-serpihan kayu. Untuk pemotongan kasar, kedalaman pemotongan bisa ditingkatkan, sementara untuk hasil yang halus Anda harus mengurangi kedalaman pemotongan serta menggerakkan mesin secara lebih lambat.

## Memotong miring

Untuk membuat potongan seperti ditunjukkan dalam gambar, sejajarkan alur "V" pada dudukan depan dengan tepi benda kerja lalu serut sebagaimana ditunjukkan pada gambar.

► **Gbr.9**

- **Gbr.10:** 1. Sejajarkan alur (Y) dengan tepi benda kerja

## PERAWATAN

### ⚠ PERHATIAN:

- Selalu pastikan bahwa mesin dimatikan dan steker dicabut sebelum melakukan pemeriksaan atau perawatan.
- Jangan sekali-kali menggunakan benzena, tiner, alkohol, atau bahan sejenisnya. Penggunaan bahan tersebut dapat menyebabkan perubahan warna, perubahan bentuk, atau timbulnya retakan.

Untuk menjaga KEAMANAN dan KEANDALAN mesin, perbaikan, pemeriksaan dan penggantian sikat karbon, serta perawatan atau penyetelan lain harus dilakukan oleh Pusat Layanan Resmi atau Pabrik Makita, selalu gunakan suku cadang pengganti buatan Makita.

## Mengasah mata pisau serut

- **Gbr.11:** 1. Dudukan mata pisau

Selalu jaga agar mata pisau Anda tetap tajam untuk mendapatkan kinerja terbaik yang bisa didapat. Gunakan dudukan mata pisau untuk membuang takik-takik dan menghasilkan tepi yang halus. Pertama-tama, kendurkan kedua mur kupu-kupu pada dudukan dan masukkan mata pisau (A) dan (B), sehingga mengenai sisi (C) dan (D). Kemudian kencangkan mur kupu-kupu.

- **Gbr.12:** 1. Mur kupu-kupu 2. Mata pisau (A) 3. Mata pisau (B) 4. Sisi (C) 5. Sisi (D)

Celup batu asahan ke dalam air selama 2 atau 3 menit sebelum mengasah. Pegang dudukan mata pisau sehingga mata pisau mengenai batu asahan untuk pengasahan merata dengan sudut yang sama.

- **Gbr.13**

## AKSESORI PILIHAN

### ⚠ PERHATIAN:

- Dianjurkan untuk menggunakan aksesoris atau perangkat tambahan ini dengan mesin Makita Anda yang ditentukan dalam petunjuk ini. Penggunaan aksesoris atau perangkat tambahan lain bisa menyebabkan risiko cedera pada manusia. Hanya gunakan aksesoris atau perangkat tambahan yang sesuai dengan tujuan yang telah ditetapkan.

Jika Anda memerlukan bantuan lebih terperinci berkenaan dengan aksesoris ini, tanyakan pada Pusat Layanan Makita terdekat.

- Mata pisau serut baja kecepatan tinggi
- Mata pisau serut mini
- Perakitan penahan mata pisau (pengasahan)
- Pengukur mata pisau
- Mistar pemandu
- Set pemandu sambung
- Batu asahan
- Rakitan nosel
- Perakitan kantong debu
- Sambungan
- Kunci soket

### CATATAN:

- Beberapa item dalam daftar tersebut mungkin sudah termasuk dalam paket mesin sebagai aksesoris standar. Hal tersebut dapat berbeda dari satu negara ke negara lainnya.

## SPEKIFIKASI

Model	1911B
Lebar pengetam	110 mm
Kedalaman pengetam	2 mm
Kelajuan tanpa beban (min <sup>-1</sup> )	16,000
Panjang keseluruhan	355 mm
Berat bersih	4.1 kg
Kelas keselamatan	□/II

- Disebabkan program penyelidikan dan pembangunan kami yang berterusan, spesifikasi yang terkandung di dalam ini adalah tertakluk kepada perubahan tanpa notis.
- Spesifikasi mungkin berbeza mengikut negara.
- Berat mengikut Prosedur EPTA 01/2014

## Simbol

Berikut menunjukkan simbol-simbol yang digunakan untuk alat ini. Pastikan anda memahami maksudnya sebelum menggunakan.



Baca manual arahan.



PENEBATAN BERGANDA



Hanya untuk negara-negara Kesatuan Eropah  
Jangan buang peralatan elektrik bersama bahan sisa rumah! Dalam mematuhi Arahan Eropah mengenai Sisa Peralatan Elektrik dan Elektronik serta pelaksanaannya mengikut undang-undang negara, peralatan elektrik yang telah mencapai akhir hayatnya mesti dikumpul secara berasingan dan dikembalikan ke kemudahan kitar semula yang bersesuaian dengan alam sekitar.

## Tujuan penggunaan

Alat ini bertujuan untuk mengetam kayu.

## Bekalan kuasa

Alat ini perlu disambungkan hanya kepada bekalan kuasa dengan voltan yang sama seperti yang ditunjukkan pada papan nama, dan hanya boleh dikendalikan pada bekalan AC fasa tunggal. Ia mempunyai penebatan berganda dan oleh itu, ia juga boleh digunakan pada soket tanpa wayar bumi.

## Amaran keselamatan umum alat kuasa

**⚠️AMARAN:** Baca semua amaran keselamatan, arahan, ilustrasi dan spesifikasi yang disediakan dengan alat kuasa ini. Kegagalan mengikut semua arahan yang disenaraikan di bawah boleh menyebabkan kejutan elektrik, kebakaran dan/atau kecederaan serius.

## Simpan semua amaran dan arahan untuk rujukan masa depan.

Istilah "alat kuasa" dalam amaran merujuk kepada alat kuasa yang menggunakan tenaga elektrik (dengan kord) atau alat kuasa yang menggunakan bateri (tanpa kord).

### Keselamatan kawasan kerja

1. **Pastikan kawasan kerja bersih dan diterangi dengan baik.** Kawasan berselerak atau gelap mengundang kemalangan.
2. **Jangan kendalikan alat kuasa dalam keadaan yang mudah meletup, seperti dalam kehadiran cecair, gas atau habuk yang mudah terbakar.** Alat kuasa menghasilkan percikan api yang boleh menyalakan debu atau wasap.
3. **Jauhkan kanak-kanak dan orang ramai semasa mengendalikan alat kuasa.** Gangguan boleh menyebabkan anda hilang kawalan.

### Keselamatan elektrik

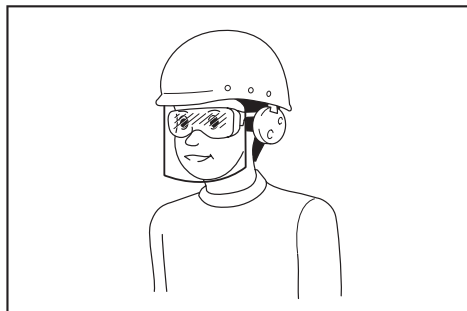
1. **Palam alat kuasa mesti sepadan dengan soket. Jangan ubah suai palam dalam apa cara sekalipun. Jangan gunakan sebarang palam penyesuai dengan alat kuasa terbumi.** Palam yang tidak diubah suai dan soket yang sepadan akan mengurangkan risiko kejutan elektrik.
2. **Elakkan sentuhan badan dengan permukaan terbumi, seperti paip, radiator, dapur dan peti sejuk.** Terdapat peningkatan risiko kejutan elektrik jika elektrik terbumi terkena badan anda.

3. **Jangan biarkan alat kuasa terkena hujan atau basah.** Air yang memasuki alat kuasa akan meningkatkan risiko kejutan elektrik.
4. **Jangan salah gunakan kord. Jangan gunakan kord untuk membawa, menarik atau mencabut palam alat kuasa. Jauhkan kord dari haba, minyak, bucu tajam atau bahagian yang bergerak.** Kord yang rosak atau tersimpul meningkatkan risiko kejutan elektrik.
5. **Semasa mengendalikan alat kuasa di luar, gunakan kord sambungan yang bersesuaian untuk kegunaan luar.** Penggunaan kord yang sesuai untuk kegunaan luar mengurangkan risiko kejutan elektrik.
6. **Sekiranya pengendalian alat kuasa di lokasi lembap tidak dapat dielakkan, gunakan bekalan peranti arus sisa (RCD) yang dilindungi.** Penggunaan RCD mengurangkan risiko kejutan elektrik.
7. **Penggunaan bekalan kuasa melalui RCD dengan arus sisa yang bernilai 30 mA atau kurang sentiasa disyorkan.**
8. **Alat kuasa boleh menghasilkan medan elektromagnetik (EMF) yang tidak berbahaya kepada pengguna.** Walau bagaimanapun, pengguna perentak jantung atau peranti perubatan yang serupa harus menghubungi pembuat peranti mereka dan/atau doktor untuk nasihat sebelum mengendalikan alat kuasa ini.
9. **Jangan sentuh palam kuasa dengan tangan yang basah.**
10. **Jika kord rosak, minta ia diganti oleh pengilang atau ejennya bagi mengelakkan bahaya keselamatan.**

#### Keselamatan diri

1. **Sentiasa berwaspada, perhatikan apa yang anda lakukan dan guna akal budi semasa mengendalikan alat kuasa. Jangan gunakan alat kuasa semasa anda letih atau di bawah pengaruh dadah, alkohol atau ubat.** Kelelahan seketika semasa mengendalikan alat kuasa boleh menyebabkan kecederaan diri yang serius.
2. **Gunakan peralatan pelindung diri. Sentiasa pakai pelindung mata.** Peralatan pelindung seperti topeng debu, kasut keselamatan tak mudah tergelincir, topi keselamatan atau pelindung pendengaran yang digunakan untuk keadaan yang sesuai akan mengurangkan kecederaan diri.
3. **Elakkan permulaan yang tidak disengajakan. Pastikan suis ditutup sebelum menyambung kepada sumber kuasa dan/atau pek bateri, semasa mengangkat atau membawa alat.** Membawa alat kuasa dengan jari anda pada suis atau mentenagakan alat kuasa dengan suis pada kedudukan hidup mengundang kemalangan.
4. **Alihkan sebarang kunci atau sepana pelaras sebelum menghidupkan alat kuasa.** Sepana atau kunci yang ditinggalkan pada bahagian berputar alat kuasa boleh menyebabkan kecederaan diri.
5. **Jangan lampau jangkau. Jaga pijakan dan keseimbangan yang betul pada setiap masa.** Ini membolehkan kawalan alat kuasa yang lebih baik dalam situasi yang tidak dijangka.

6. **Berpakaian dengan betul. Jangan pakai pakaian yang longgar atau barang kemas. Jauhkan rambut dan pakaian anda dari bahagian yang bergerak.** Pakaian longgar, barang kemas atau rambut yang panjang boleh terperangkap dalam bahagian yang bergerak.
7. **Jika peranti disediakan untuk sambungan kemudahan pengekstrakan dan pengumpulan habuk, pastikan ia disambung dan digunakan dengan betul.** Penggunaan pengumpulan habuk boleh mengurangkan bahaya berkaitan habuk.
8. **Jangan biarkan kebiasaan daripada kekerapan penggunaan alat membuatkan anda berpuas hati dan mengabaikan prinsip keselamatan alat.** Kecuaian boleh menyebabkan kecederaan serius dalam sekelip mata.
9. **Sentiasa pakai kaca mata pelindung untuk melindungi mata anda daripada kecederaan apabila menggunakan alat kuasa. Kaca mata mestilah mematuhi ANSI Z87.1 di AS, EN 166 di Eropah, atau AS/NZS 1336 di Australia/ New Zealand. Di Australia/New Zealand, undang-undang mengarahkan untuk memakai pelindung muka bagi melindungi muka anda, juga.**



**Menjadi tanggungjawab majikan untuk menguatkuasa penggunaan peralatan perlindungan keselamatan yang bersesuaian oleh pengendali alat dan oleh orang lain dalam kawasan bekerja semasa.**

#### Penggunaan dan penjagaan alat kuasa

1. **Jangan gunakan alat kuasa dengan kasar. Gunakan alat kuasa yang betul untuk penggunaan anda.** Alat kuasa yang betul akan melakukan tugas dengan lebih baik dan lebih selamat pada kadar mana ia direka cipta.
2. **Jangan gunakan alat kuasa jika suis tidak berfungsi untuk menghidupkan dan mematikkannya.** Alat kuasa yang tidak dapat dikawal dengan suis adalah berbahaya dan mesti dibaiki.
3. **Cabut palam dari sumber kuasa dan/atau keluarkan pek bateri, jika boleh ditanggalkan, dari alat kuasa sebelum membuat sebarang pelarasan, menukar aksesori, atau menyimpan alat kuasa.** Langkah-langkah keselamatan pencegahan sedemikian mengurangkan risiko memulakan alat kuasa secara tidak sengaja.



4. **Simpan alat kuasa yang tidak digunakan jauh dari jangkauan kanak-kanak dan jangan biarkan orang yang tidak biasa dengan alat kuasa atau arahan ini untuk mengendalikan alat kuasa.** Alat kuasa adalah berbahaya di tangan pengguna yang tidak terlatih.
5. **Menyelenggara alat kuasa dan aksesori.** Periksa salah jajaran atau ikatan pada bahagian yang bergerak, bahagian yang pecah dan apa-apa keadaan lain yang boleh menjejaskan operasi alat kuasa. Jika rosak,baiki alat kuasa sebelum digunakan. Kebanyakan kemalangan adalah disebabkan oleh alat kuasa yang tidak dijaga dengan baik.
6. **Pastikan alat pemotong tajam dan bersih.** Alat pemotong yang dijaga dengan betul dengan hujung pemotong yang tajam mempunyai kemungkinan yang rendah untuk terikat dan lebih mudah dikendalikan.
7. **Gunakan alat kuasa, aksesori dan alat bit dan sebagainya mengikut arahan ini dengan mengambil kira keadaan kerja dan kerja yang perlu dilakukan.** Penggunaan alat kuasa untuk operasi yang berbeza dari yang dimaksudkan boleh menyebabkan keadaan berbahaya.
8. **Pastikan pemegang dan permukaan pegangan kering, bersih dan bebas dari minyak dan gris.** Pemegang dan permukaan pegangan yang licin tidak membolehkan pengendalian dan kawalan selamat bagi alat dalam situasi yang tidak dijangka.
9. **Apabila menggunakan alat, jangan pakai sarung tangan kerja kain yang mungkin boleh kusut.** Kekusutan sarung tangan kerja kain pada bahagian yang bergerak boleh menyebabkan kecederaan diri.
4. Perca, kain, kord, tali dan yang serupa tidak seharusnya ditinggalkan di kawasan kerja.
5. Elakkan memotong paku. Periksa untuk atau keluarkan semua paku daripada bahan kerja sebelum operasi.
6. Gunakan bilah yang tajam sahaja. Kendalikan bilah dengan sangat berhati-hati.
7. Pastikan bolt pemasangan bilah telah diketatkan dengan kukuh sebelum operasi.
8. Pegang alat dengan kuat menggunakan kedua-dua tangan.
9. Jauhkan tangan daripada bahagian berpusing.
10. Sebelum menggunakan alat pada bahan kerja sebenar, biarkan ia beroperasi seketika. Perhatikan getaran atau goyangan yang boleh menandakan pemasangan yang lemah atau bilah yang sangat tidak seimbang.
11. Pastikan bilah tidak menyentuh bahan kerja sebelum suis dihidupkan.
12. Tunggu sehingga bilah mencapai kelajuan sepenuhnya sebelum memotong.
13. Sentiasa matikan dan tunggu sehingga bilah berhenti sepenuhnya sebelum membuat sebarang penyesuaian.
14. Jangan sekali-kali letakkan jari anda dalam pelongsor serpihan. Pelongsor boleh tersangkut semasa memotong kayu lembap. Bersihkan serpihan dengan batang kayu.
15. Jangan tinggalkan alat yang sedang berjalan. Kendalikan alat hanya apabila dipegang.
16. Sentiasa tukar kedua-dua bilah atau penutup pada gelendong, jika tidak ketidakeimbangan yang terhasil akan menyebabkan gegaran atau memendekkan hayat alat.
17. Gunakan hanya bilah Makita yang dinyatakan dalam manual ini.
18. Sentiasa gunakan topeng habuk/alat pernafasan yang betul untuk bahan dan aplikasi yang anda sedang kerjakan.

#### Servis

1. **Pastikan alat kuasa anda diservis oleh orang yang berkelayakan dengan hanya menggunakan alat ganti yang sama.** Ini akan memastikan keselamatan alat kuasa dapat dikekalkan.
2. **Ikut arahan untuk melincir dan menukar aksesori.**

### Amaran Keselamatan Pengetam

1. **Tunggu sehingga pemotong berhenti sebelum menetapkan alat ke bawah.** Pemotong berputar yang terdedah mungkin menarik permukaan menyebabkan kemungkinan kehilangan kawalan dan kecederaan serius.
2. **Pegang alat kuasa dengan permukaan mencengkam tertebat kerana pemotong mungkin bersentuhan dengan kordnya sendiri.** Memotong wayar "hidup" boleh menyebabkan bahagian logam terdedah alat kuasa "hidup" dan boleh memberi kejutan elektrik kepada pengendali.
3. **Gunakan pengapit atau cara praktikal lain untuk mengukuhkan dan menyokong bahan kerja pada platform yang stabil.** Memegang bahan kerja dengan tangan anda atau menyandar pada badan menyebabkan ia tidak stabil dan boleh menyebabkan hilang kawalan.

### SIMPAN ARAHAN INI.

**⚠️AMARAN:** JANGAN biarkan keselesaan atau kebiasaan dengan produk (daripada penggunaan berulang) menggantikan pematuhan ketat terhadap peraturan keselamatan untuk produk yang ditetapkan.

**SALAH GUNA** atau kegagalan mematuhi peraturan-peraturan keselamatan yang dinyatakan dalam manual arahan ini boleh menyebabkan kecederaan diri yang serius.



## KETERANGAN FUNGSI

### **⚠️ PERHATIAN:**

- Sentiasa pastikan alat dimatikan dan palamnya dicabut sebelum menyelaras atau menyemak fungsi pada alat.

## Menyesuaikan kedalaman potongan

### ► **Rajah1:** 1. Tombol

Kedalaman pemotongan boleh diselaraskan dengan hanya memutarakan tombol di bahagian depan alat.

## Tindakan suis

### **⚠️ PERHATIAN:**

- Sebelum memasang alat, sentiasa periksa untuk melihat pemacu suis bergerak dengan betul dan kembali ke posisi "OFF" apabila dilepaskan.

### ► **Rajah2:** 1. Butang kunci / butang buka kunci 2. Pemacu suis

## Untuk alat dengan butang kunci

Untuk memulakan alat, hanya tarik pemacu suis. Lepaskan pemacu suis untuk berhenti.

Untuk operasi berterusan, tarik pemacu suis dan kemudian tolak masuk butang kunci.

Untuk menghentikan alat dari kedudukan terkunci, tarik pemacu suis sepenuhnya, kemudian lepaskan.

## Untuk alat dengan butang buka kunci

Untuk mengelakkan pencetus suis dengan tidak sengaja ditarik, butang pengunci disediakan.

Untuk memulakan alat, tekan butang kunci dan tarik pemacu suis. Lepaskan pemacu suis untuk berhenti.

## PEMASANGAN

### **⚠️ PERHATIAN:**

- Sentiasa pastikan alat dimatikan dan palamnya dicabut sebelum menjalankan apa-apa kerja pada alat.

## Mengeluarkan dan memasang bilah pengetam

### ► **Rajah3:** 1. Perengkuh soket 2. Bolt pemasangan

### **⚠️ PERHATIAN:**

- Ketatkan bolt pemasangan bilah dengan berhati-hati apabila memasang bilah pada alat. Bolt pemasangan yang longgar boleh membahayakan. Sentiasa periksa untuk memastikan ia telah diketatkan dengan kukuh.
- Kendalikan bilah dengan sangat berhati-hati. Gunakan sarung tangan atau kain perca untuk melindungi jari atau tangan anda apabila mengeluarkan atau memasang bilah.
- Gunakan hanya perengkuh Makita yang disediakan untuk mengeluarkan atau memasang bilah. Kegagalan untuk berbuat demikian mungkin menyebabkan terlebih ketat atau pengetatan bolt pemasangan yang tidak mencukupi. Ini boleh menyebabkan kecederaan.

Untuk mengeluarkan bilah pada gelendong, buka skru bolt pemasangan dengan perengkuh soket. Penutup gelendong tertanggal sekali dengan bilah.

Untuk memasang bilah, bersihkan dahulu semua serpihan atau bendasing yang melekat pada gelendong atau bilah. Gunakan bilah yang mempunyai dimensi dan berat yang sama, atau ayunan/getaran gelendong akan berlaku, menyebabkan tindakan pengetaman yang tidak elok, dan lama-kelamaan, kerosakan alat.

### ► **Rajah4:** 1. Bolt 2. Gelendong 3. Bilah pengetam 4. Penutup gelendong 5. Plat laras

Letakkan bilah pada tapak tolak supaya mata bilah betul-betul sedatar dengan pinggir dalam plat tolak. Letakkan plat laras pada bilah, kemudian tekan di tumit gigi gergaji penyalur plat laras dengan bahagian belakang tapak tolak dan ketatkan dua skru pada plat laras. Sekarang keluarkan tumit gigi gergaji plat laras kepada alur dram, kemudian pasang penutup drum di atasnya. Ketatkan bolt pemasangan secara sama dan selang seli dengan perengkuh soket.

### ► **Rajah5:** 1. Plat laras 2. Skru 3. Plat laras tumit gigi gergaji 4. Bahagian belakang tapak tolak 5. Mata bilah 6. Bilah pengetam 7. Pinggir dalam plat tolak 8. Plat tolak

## Untuk tetapan bilah pengetam yang betul

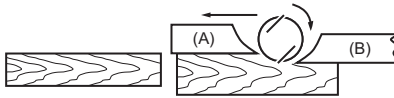
Permukaan mengetam anda akan menjadi kasar dan tidak sekata, melainkan bilah ditetapkan dengan betul dan kukuh. Bilah mestilah dilekapkan supaya mata pemotong betul-betul selaras, bermaksud, selari dengan permukaan tapak belakang.

Rujuk kepada beberapa contoh di bawah untuk tetapan yang elok dan tidak elok.

(A) Tapak depan (Kasut boleh alih)

(B) Tapak belakang (Kasut pegun)

Tetapan betul



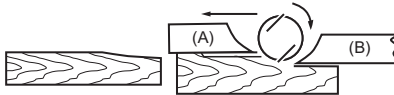
Walaupun pandangan sisi ini tidak dapat menunjukkannya, sisi bilah berjalan betul-betul selari pada permukaan tapak belakang.

Takik pada permukaan



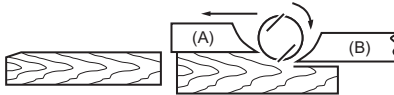
Sebab: Satu atau kedua-dua bilah gagal mempunyai sisi yang selari dengan garisan tapak belakang.

Lubang pahat pada permulaan



Sebab: Satu atau kedua-dua mata bilah gagal menjulur dengan secukupnya berbanding garis tapak belakang.

Lubang pahat pada penghujung



Sebab: Satu atau kedua-dua mata bilah menjulur terlampau jauh berbanding garisan tapak belakang.

## Menyambungkan pembersih hampagas

**NOTA:** Di sesetengah negara, muncung mungkin tidak disertakan dalam pakej alat sebagai aksesori standard.

► **Rajah6:** 1. Pembersih hampagas

## Untuk alat dengan muncung

Sambungkan hos pembersih hampagas pada muncung.

## Untuk alat tanpa muncung

1. Keluarkan penutup serpihan daripada alat.
2. Pasangkan muncung pada alat menggunakan skru.

► **Rajah7:** 1. Pemasangan muncul 2. Pemutar skru

3. Sambungkan hos pembersih hampagas pada muncung.

## Pembersihan muncung

Bersihkan muncung dengan kerap. Gunakan udara termampat untuk membersihkan muncung tersumbat.

## OPERASI

**⚠AMARAN:** Untuk mengurangkan risiko kecederaan kepada seseorang, jangan kendalikan tanpa muncung atau penutup serpihan di tempatnya.

## Operasi mengetam

► **Rajah8:** 1. Mula 2. Akhir

Pertama, letakkan tapak depan alat rata pada permukaan bahan kerja tanpa bilah menyentuh apa-apa. Hidupkan dan tunggu sehingga bilah mencapai kelajuan sepenuhnya. Kemudian alihkan alat dengan lembut ke depan. Kenakan tekanan pada depan alat pada permulaan mengetam, dan pada belakang pada akhir mengetam. Pengetaman akan menjadi lebih mudah jika anda condongkan bahan kerja dalam keadaan tidak bergerak, supaya anda boleh mengetam agak menurun.

Kelajuan dan kedalaman pemotongan menentukan jenis hasil akhir. Pengetam kuasa terus memotong pada kelajuan yang tidak akan menyebabkan tersekat oleh serpihan. Untuk pemotongan kasar, kedalaman pemotongan boleh ditingkatkan, sementara untuk hasil akhir yang baik anda perlu mengurangkan kedalaman pemotongan dan memajukan alat dengan lebih perlahan.

## Penyerongan

Untuk membuat pemotongan seperti yang ditunjukkan dalam rajah, menyelaraskan "V" alur dalam asas depan dengan mata bahan kerja dan kapal terbang seperti yang ditunjukkan dalam rajah.

► **Rajah9**

- **Rajah10:** 1. Selarikan alur (Y) dengan tepi bahan kerja

## PENYELENGGARAAN

### ⚠PERHATIAN:

- Sentiasa pastikan alat dimatikan dan palamnya dicabut sebelum cuba menjalankan pemeriksaan atau penyelenggaraan.
- Jangan gunakan gasolin, benzin, pencair, alkohol atau bahan yang serupa. Ia boleh menyebabkan perubahan warna, bentuk atau keretakan.

Untuk mengekalkan KESELAMATAN dan KEBOLEHPERCAYAAN produk, pembaikan, pemeriksaan dan penggantian berus karbon, apa-apa penyelenggaraan atau penyesuaian lain perlu dilakukan oleh Kilang atau Pusat Servis Makita yang Diiktiraf, sentiasa gunakan alat ganti Makita.

## Menajamkan bilah pengetam

- **Rajah11:** 1. Pemegang pengasah

Sentiasa pastikan bilah anda tajam untuk fungsi yang terbaik. Gunakan pemegang pengasah untuk membuang takik dan menghasilkan sisi yang halus. Pertama sekali, longgarkan dua nat telinga pada pemegang dan masukkan bilah (A) dan (B) supaya ia bersentuhan dengan sisi (C) dan (D). Kemudian ketatkan nat telinga.

- **Rajah12:** 1. Nat telinga 2. Bilah (A) 3. Bilah (B) 4. Sisi (C) 5. Sisi (D)

Rendamkan batu sagat dalam air selama 2 atau 3 minit sebelum diasah. Pegang pemegang supaya kedua-dua bilah bersentuhan dengan batu sagat untuk pengasahan serentak pada sudut yang sama.

- **Rajah13**

## AKSESORI PILIHAN

### ⚠PERHATIAN:

- Aksesori-aksesori atau lampiran-lampiran ini adalah disyorkan untuk digunakan dengan alat Makita anda yang ditentukan dalam manual ini. Penggunaan mana-mana aksesori-aksesori atau lampiran-lampiran lain mungkin mengakibatkan risiko kecederaan kepada orang. Hanya gunakan aksesori atau lampiran untuk tujuan yang dinyatakan.

Jika anda memerlukan bantuan untuk butiran lanjut berkenaan aksesori ini, tanya Pusat Servis Makita tempatan anda.

- Bilah pengetam keluli berkelajuan tinggi
- Bilah pengetam mini
- Pemasangan pemegang pengasah
- Tolok bilah
- Pembaris panduan
- Setkan panduan sambungan
- Batu sagat
- Pemasangan muncul
- Pemasangan beg habuk
- Bersama
- Perengkuh soket

### NOTA:

- Beberapa item dalam senarai mungkin disertakan dalam pakej alat sebagai aksesori standard. Item mungkin berbeza mengikut negara.

## THÔNG SỐ KỸ THUẬT

Kiểu	1911B
Chiều rộng dự kiến	110 mm
Chiều sâu dự kiến	2 mm
Tốc độ không tải (min <sup>-1</sup> )	16.000
Tổng chiều dài	355 mm
Khối lượng tịnh	4,1 kg
Cấp an toàn	Ⓜ/II

- Do chương trình nghiên cứu và phát triển liên tục của chúng tôi nên các thông số kỹ thuật trong đây có thể thay đổi mà không cần thông báo trước.
- Các thông số kỹ thuật có thể thay đổi tùy theo từng quốc gia.
- Khối lượng tùy theo Quy trình EPTA tháng 01/2014

### Ký hiệu

Phần dưới đây cho biết các ký hiệu được dùng cho thiết bị. Đảm bảo rằng bạn hiểu rõ ý nghĩa của các ký hiệu này trước khi sử dụng.



Đọc tài liệu hướng dẫn.



CÁCH ĐIỆN CẤP 2



Chỉ dành cho các quốc gia EU  
Không thải bỏ thiết bị điện cùng với các chất thải sinh hoạt! Để tuân thủ Chỉ thị của Châu Âu về thiết bị điện và điện tử thải bỏ, và thi hành những chỉ thị này phù hợp với luật lệ quốc gia, thiết bị điện tử không còn sử dụng được nữa phải được thu nhặt riêng và đưa trở lại một cơ sở tái chế tương thích với môi trường.

### Mục đích sử dụng

Dụng cụ này được dùng để bào gỗ.

### Nguồn cấp điện

Dụng cụ này chỉ được nối với nguồn cấp điện có điện áp giống như đã chỉ ra trên biển tên và chỉ có thể được vận hành trên nguồn điện AC đơn pha. Chúng được cách điện hai lớp và do đó cũng có thể được sử dụng từ các ổ cắm điện không có dây tiếp đất.

### Cảnh báo an toàn chung dành cho dụng cụ máy

**⚠ CẢNH BÁO:** Xin đọc tất cả các cảnh báo an toàn, hướng dẫn, minh họa và thông số kỹ thuật đi kèm với dụng cụ máy này. Việc không tuân theo các hướng dẫn được liệt kê dưới đây có thể dẫn đến điện giật, hỏa hoạn và/hoặc thương tích nghiêm trọng.

### Lưu giữ tất cả cảnh báo và hướng dẫn để tham khảo sau này.

Thuật ngữ “dụng cụ máy” trong các cảnh báo đề cập đến dụng cụ máy (có dây) được vận hành bằng nguồn điện chính hoặc dụng cụ máy (không dây) được vận hành bằng pin của bạn.

#### An toàn tại nơi làm việc

- Giữ nơi làm việc sạch sẽ và có đủ ánh sáng.**  
Nơi làm việc bừa bộn hoặc tối thường dễ gây ra tai nạn.
- Không vận hành dụng cụ máy trong môi trường cháy nổ, ví dụ như môi trường có sự hiện diện của các chất lỏng, khí hoặc bụi dễ cháy.** Các dụng cụ máy tạo tia lửa điện có thể làm bụi hoặc khí bốc cháy.
- Giữ trẻ em và người ngoài tránh xa nơi làm việc khi đang vận hành dụng cụ máy.** Sự xao lãng có thể khiến bạn mất khả năng kiểm soát.

#### An toàn về Điện

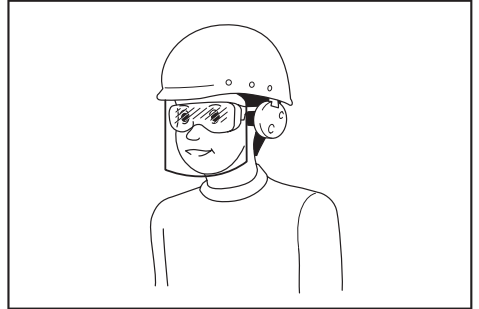
- Phích cắm của dụng cụ máy phải khớp với ổ cắm. Không được sửa đổi phích cắm theo bất kỳ cách nào. Không sử dụng bất kỳ phích chuyên đổi nào với các dụng cụ máy được nối đất (tiếp đất).** Các phích cắm còn nguyên vẹn và ổ cắm phù hợp sẽ giảm nguy cơ điện giật.
- Tránh để cơ thể tiếp xúc với các bề mặt nóng hoặc tiếp đất như đường ống, bộ tản nhiệt, bếp ga và tủ lạnh.** Nguy cơ bị điện giật sẽ tăng lên nếu cơ thể bạn được nối đất hoặc tiếp đất.
- Không để dụng cụ máy tiếp xúc với mưa hoặc trong điều kiện ẩm ướt.** Nước lọt vào dụng cụ máy sẽ làm tăng nguy cơ điện giật.
- Không lạm dụng dây điện. Không được phép sử dụng dây để mang, kéo hoặc tháo phích cắm dụng cụ máy. Giữ dây tránh xa nguồn nhiệt, dầu, các mép sắc hoặc các bộ phận chuyển động.** Dây bị hỏng hoặc bị rối sẽ làm tăng nguy cơ điện giật.

5. **Khi vận hành dụng cụ máy ngoài trời, hãy sử dụng dây kéo dài phù hợp cho việc sử dụng ngoài trời.** Việc dùng dây phù hợp cho việc sử dụng ngoài trời sẽ giảm nguy cơ điện giật.
6. **Nếu bắt buộc phải vận hành dụng cụ máy ở nơi ẩm ướt, hãy sử dụng nguồn cấp điện được bảo vệ bằng thiết bị ngắt dòng điện rò (RCD).** Việc sử dụng RCD sẽ làm giảm nguy cơ điện giật.
7. **Chúng tôi luôn khuyên bạn sử dụng nguồn cấp điện qua thiết bị RCD có thể ngắt dòng điện rò định mức 30 mA hoặc thấp hơn.**
8. **Các dụng cụ máy có thể tạo ra từ trường điện (EMF) có hại cho người dùng.** Tuy nhiên, người dùng máy trợ tim và những thiết bị y tế tương tự khác nên liên hệ với nhà sản xuất thiết bị và/hoặc bác sỹ để được tư vấn trước khi vận hành dụng cụ này.
9. **Không chạm vào đầu cắm điện bằng tay ướt.**
10. **Nếu dây bị hỏng, hãy nhờ nhà sản xuất hoặc đại lý thay dây mới để tránh nguy hiểm về an toàn.**

#### **An toàn Cá nhân**

1. **Luôn tỉnh táo, quan sát những việc bạn đang làm và sử dụng những phán đoán theo kinh nghiệm khi vận hành dụng cụ máy.** Không sử dụng dụng cụ máy khi bạn đang mệt mỏi hoặc chịu ảnh hưởng của ma túy, rượu hay thuốc. Chỉ một khoảnh khắc không tập trung khi đang vận hành dụng cụ máy cũng có thể dẫn đến thương tích cá nhân nghiêm trọng.
2. **Sử dụng thiết bị bảo hộ cá nhân.** Luôn đeo thiết bị bảo vệ mắt. Các thiết bị bảo hộ như mặt nạ chống bụi, giày an toàn chống trượt, mũ bảo hộ hay thiết bị bảo vệ thính giác được sử dụng trong các điều kiện thích hợp sẽ giúp giảm thương tích cá nhân.
3. **Tránh vô tình khởi động dụng cụ máy.** Đảm bảo công tắc ở vị trí off (tắt) trước khi nối nguồn điện và/hoặc bộ pin, cầm hoặc di chuyển dụng cụ máy. Việc di chuyển dụng cụ máy khi đang đặt ngón tay ở vị trí công tắc hoặc cấp điện cho dụng cụ máy đang bật thường dễ gây ra tai nạn.
4. **Tháo tất cả các khóa hoặc cờ lê điều chỉnh trước khi bật dụng cụ máy.** Việc cờ lê hoặc khóa vẫn còn gắn vào bộ phận quay của dụng cụ máy có thể dẫn đến thương tích cá nhân.
5. **Không vịn quá cao.** Luôn giữ thăng bằng tốt và có chỗ để chân phù hợp. Điều này cho phép điều khiển dụng cụ máy tốt hơn trong những tình huống bất ngờ.
6. **Ăn mặc phù hợp.** Không mặc quần áo rộng hay đeo đồ trang sức. Giữ tóc và quần áo tránh xa các bộ phận chuyển động. Quần áo rộng, đồ trang sức hay tóc dài có thể mắc vào các bộ phận chuyển động.
7. **Nếu các thiết bị được cung cấp để kết nối các thiết bị thu gom và hút bụi, hãy đảm bảo chúng được kết nối và sử dụng hợp lý.** Việc sử dụng thiết bị thu gom bụi có thể làm giảm những mối nguy hiểm liên quan đến bụi.

8. **Không vì quen thuộc do thường xuyên sử dụng các dụng cụ mà cho phép bạn trở nên tự mãn và bỏ qua các nguyên tắc an toàn dụng cụ.** Một hành động bất cẩn có thể gây ra thương tích nghiêm trọng trong một phần của một giây.
9. **Luôn luôn mang kính bảo hộ để bảo vệ mắt khỏi bị thương khi đang sử dụng các dụng cụ máy.** Kính bảo hộ phải tuân thủ ANSI Z87.1 ở Mỹ, EN 166 ở Châu Âu, hoặc AS/NZS 1336 ở Úc/New Zealand. Tại Úc/New Zealand, theo luật pháp, bạn cũng phải mang mặt nạ che mặt để bảo vệ mắt.



**Trách nhiệm của chủ lao động là bắt buộc người vận hành dụng cụ và những người khác trong khu vực làm việc cạnh đó phải sử dụng các thiết bị bảo hộ an toàn thích hợp.**

#### **Sử dụng và bảo quản dụng cụ máy**

1. **Không dùng lực đối với dụng cụ máy.** Sử dụng đúng dụng cụ máy cho công việc của bạn. Sử dụng đúng dụng cụ máy sẽ giúp thực hiện công việc tốt hơn và an toàn hơn theo giá trị định mức được thiết kế của dụng cụ máy đó.
2. **Không sử dụng dụng cụ máy nếu công tắc không bật và tắt được dụng cụ máy đó.** Mọi dụng cụ máy không thể điều khiển được bằng công tắc đều rất nguy hiểm và phải được sửa chữa.
3. **Rút phích cắm ra khỏi nguồn điện và/hoặc tháo kết nối bộ pin khỏi dụng cụ máy, nếu có thể tháo rời trước khi thực hiện bất kỳ công việc điều chỉnh, thay đổi phụ tùng hay cất giữ dụng cụ máy nào.** Những biện pháp an toàn phòng ngừa này sẽ giảm nguy cơ vô tình khởi động dụng cụ máy.
4. **Cất giữ các dụng cụ máy không sử dụng ngoài tầm với của trẻ em và không cho bất kỳ người nào không có hiểu biết về dụng cụ máy hoặc các hướng dẫn này vận hành dụng cụ máy.** Dụng cụ máy sẽ rất nguy hiểm nếu được sử dụng bởi những người dùng chưa qua đào tạo.
5. **Bảo dưỡng dụng cụ máy và các phụ kiện.** Kiểm tra tình trạng lịch trực hoặc bộ kẹp của các bộ phận chuyển động, hiện tượng nứt vỡ của các bộ phận và mọi tình trạng khác mà có thể ảnh hưởng đến hoạt động của dụng cụ máy. Nếu có hỏng hóc, hãy sửa chữa dụng cụ máy trước khi sử dụng. Nhiều tai nạn xảy ra là do không bảo quản tốt dụng cụ máy.

6. Luôn giữ cho dụng cụ cắt được sắc bén và sạch sẽ. Những dụng cụ cắt được bảo quản tốt có mép cắt sắc sẽ ít bị kẹt hơn và dễ điều khiển hơn.
7. Sử dụng dụng cụ máy, phụ tùng và đầu dụng cụ cắt, v.v... theo các hướng dẫn này, có tính đến điều kiện làm việc và công việc được thực hiện. Việc sử dụng dụng cụ máy cho các công việc khác với công việc dự định có thể gây nguy hiểm.
8. Giữ tay cầm và bề mặt tay cầm khô, sạch, không dính dầu và mỡ. Tay cầm trơn trượt và bề mặt tay cầm không cho phép xử lý an toàn và kiểm soát dụng cụ trong các tình huống bất ngờ.
9. Khi sử dụng dụng cụ, không được đi giày tay lao động bằng vải, có thể bị vướng. Việc giày tay lao động bằng vải vướng vào các bộ phận chuyển động có thể gây ra thương tích cá nhân.
13. Luôn tắt công tắc và chờ cho các lưỡi bào ngừng hoàn toàn trước khi điều chỉnh bất cứ thứ gì.
14. Không bao giờ chọc ngón tay của bạn vào trong máng chắn vụn bào. Máng chắn này cũng có thể bị kẹt khi cắt gỗ ẩm mục. Dọn sạch các vụn bào bằng que.
15. Không để mặc dụng cụ hoạt động. Chỉ vận hành dụng cụ khi cầm trên tay.
16. Luôn thay đổi cả hai lưỡi bào hoặc các nắp trên tay trống, nếu không việc gây mất cân bằng sẽ tạo ra rung động và làm giảm tuổi thọ dụng cụ.
17. Chỉ sử dụng các lưỡi bào của Makita được quy định trong sách hướng dẫn này.
18. Luôn luôn sử dụng đúng mặt nạ chống bụi/khẩu trang đối với loại vật liệu và ứng dụng bạn đang làm việc.

#### Bảo dưỡng

1. Để nhân viên sửa chữa đủ trình độ bảo dưỡng dụng cụ máy của bạn và chỉ sử dụng các bộ phận thay thế đồng nhất. Việc này sẽ đảm bảo duy trì được độ an toàn của dụng cụ máy.
2. Tuân theo hướng dẫn dành cho việc bôi trơn và thay phụ tùng.

### Cảnh Báo An Toàn Về Máy Bào Cầm Tay Hoạt Động Bằng Động Cơ Điện

1. Chờ cho đến khi máy cắt ngừng hoạt động trước khi đặt dụng cụ xuống. Máy cắt đang xoay lộ ra có thể va vào bề mặt dẫn đến khả năng không điều khiển được và gây thương tích nghiêm trọng.
2. Giữ dụng cụ máy chỉ bằng các bề mặt kẹp cách điện, vì máy cắt có thể tiếp xúc với dây điện của chính nó. Việc cắt một dây dẫn "có điện" có thể khiến các bộ phận kim loại bị hở của dụng cụ máy "có điện" và làm cho người vận hành bị điện giật.
3. Sử dụng các chốt kẹp hoặc những cách thực tế khác để giữ chặt và đỡ lấy phôi gia công trên bục vững chắc. Nắm giữ phôi gia công bằng tay hoặc để tựa lên người của bạn sẽ làm máy không ổn định và có thể dẫn tới mất kiểm soát.
4. Giề, vải, dây dẫn, dây và các thứ tương tự không bao giờ được để xung quanh khu vực làm việc.
5. Tránh cắt phải đinh. Kiểm tra và tháo toàn bộ đinh khỏi phôi gia công trước khi định hành.
6. Chỉ sử dụng các lưỡi bào sắc. Cầm giữ các lưỡi bào thật cẩn thận.
7. Đảm bảo các bu-lông lắp đặt lưỡi phải được vận chặt trước khi vận hành.
8. Cầm chắc dụng cụ bằng cả hai tay.
9. Giữ tay tránh xa các bộ phận quay.
10. Trước khi sử dụng dụng cụ này trên phôi gia công thực, hãy để dụng cụ chạy trong ít phút. Theo dõi sự rung hay lắc có thể phát hiện lắp ráp kém hay lưỡi bào chưa cân bằng.
11. Phải đảm bảo rằng lưỡi bào không tiếp xúc với phôi gia công trước khi bật công tắc lên.
12. Chờ đến khi lưỡi bào đạt được tốc độ tối đa trước khi cắt.

### LƯU GIỮ CÁC HƯỚNG DẪN NÀY.

**⚠ CẢNH BÁO:** KHÔNG vì đã thoải mái hay quen thuộc với sản phẩm (có được do sử dụng nhiều lần) mà không tuân thủ nghiêm ngặt các quy định về an toàn dành cho sản phẩm này.

VIỆC DÙNG SAI hoặc không tuân theo các quy định về an toàn được nêu trong tài liệu hướng dẫn này có thể dẫn đến thương tích cá nhân nghiêm trọng.

### MÔ TẢ CHỨC NĂNG

#### ⚠ THẬN TRỌNG:

- Luôn bảo đảm rằng dụng cụ được tắt điện và rút phích cắm trước khi điều chỉnh hoặc kiểm tra chức năng của dụng cụ.

### Điều chỉnh chiều sâu cắt

► Hình1: 1. Núm

Độ sâu cắt có thể được điều chỉnh đơn giản bằng cách xoay nút vận ở phía trước dụng cụ.

### Hoạt động công tắc

#### ⚠ THẬN TRỌNG:

- Trước khi cắm điện vào dụng cụ, luôn luôn kiểm tra xem cần khởi động công tắc có hoạt động bình thường hay không và trả về vị trí "TẮT" khi nhả ra.

► Hình2: 1. Nút khóa / Nút Nhà khóa 2. Cần khởi động công tắc

## Đổi với dụng cụ có nút khóa

Để khởi động dụng cụ, chỉ cần kéo cần khởi động công tắc. Nhà cần khởi động công tắc ra để dừng.

Để vận hành liên tục, hãy kéo cần khởi động công tắc sau đó nhấn vào nút khóa.

Để dừng dụng cụ từ vị trí đã khóa, hãy kéo cần khởi động công tắc hết mức, sau đó nhả ra.

## Đổi với dụng cụ có nút nhả khóa

Để ngăn cần khởi động công tắc vô tình bị kéo, dụng cụ được trang bị nút nhả khóa.

Để khởi động dụng cụ, nhấn nút nhả khóa và kéo cần khởi động công tắc. Nhà cần khởi động công tắc ra để dừng.

Đặt lưới bảo lên để cố sao cho mép lưới bảo hoàn toàn nằm ngang với mép trong của tấm cữ. Đặt tấm điều chỉnh trên lưới bảo, sau đó chỉ cần nhấn phần gáy của tấm điều chỉnh cho nằm ngang với mặt sau của đế cữ và vặn chặt hai vít trên tấm điều chỉnh. Bây giờ mới trượt phần gáy của tấm điều chỉnh vào rãnh trên tang trống, sau đó gắn vừa vặn nắp tang trống lên trên. Vặn chặt các bu-lông lắp đặt đồng đều và luân phiên bằng chia vặn đều ống.

- **Hình5:** 1. Tấm điều chỉnh 2. Vít 3. Gáy tấm điều chỉnh 4. Mặt sau của đế cữ 5. Mép lưới 6. Lưới bảo 7. Mép trong tấm cữ 8. Tấm cữ

## LẮP RÁP

### ⚠ THẬN TRỌNG:

- Luôn luôn đảm bảo rằng dụng cụ đã được tắt và tháo phích cắm trước khi dùng dụng cụ thực hiện bất cứ công việc nào.

## Tháo hoặc lắp các lưới bảo

- **Hình3:** 1. Chia vặn đầu ống 2. Bu-lông lắp đặt

### ⚠ THẬN TRỌNG:

- Vặn chặt các bu-lông lắp đặt lưới bảo thật cẩn thận khi gắn các lưới vào dụng cụ. Bu-lông lắp đặt bị lỏng có thể cực kỳ nguy hiểm. Luôn luôn kiểm tra xem chúng đã được vặn thật chặt chưa.
- Cầm giữ các lưới bảo thật cẩn thận. Dùng găng tay hoặc giẻ để bảo vệ các ngón tay hoặc bàn tay của bạn khi tháo hoặc lắp các lưới bảo.
- Chỉ sử dụng khóa vặn của Makita đi kèm để tháo hoặc lắp các lưới bảo. Không làm như vậy có thể khiến cho các bu-lông lắp đặt bị vặn quá chặt hoặc vặn không đủ chặt. Điều này có thể gây ra thương tích.

Để tháo các lưới trên tang trống, vặn lỏng các bu-lông lắp đặt bằng chia vặn đầu ống. Nắp tang trống sẽ tháo ra cùng với các lưới bảo.

Để lắp đặt các lưới bảo, đầu tiên hãy dọn sạch tất cả các vụn bảo hoặc ngoại vật gắn vào tang trống hoặc các lưới bảo. Sử dụng các lưới bảo có cùng kích thước và khối lượng, nếu không tang trống bị lung lay/rung động sẽ làm cho thao tác bảo không đạt hiệu quả cao và cuối cùng làm dụng cụ hư hỏng.

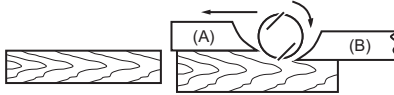
- **Hình4:** 1. Bu-lông 2. Tang trống 3. Lưới bảo 4. Nắp tang trống 5. Tấm điều chỉnh

## ĐỂ LẮP LƯỚI BẢO ĐÚNG KỸ THUẬT

Bề mặt bảo sẽ bị xù xì và không bằng phẳng, trừ khi lưới bảo được gài đúng cách và được giữ chặt. Lưới bảo phải được gài sao cho mép cắt là tuyệt đối ngang bằng, nghĩa là song song với bề mặt phần đế sau. Tham khảo một số ví dụ dưới đây để biết cách lắp đặt đúng cách và không đúng cách.

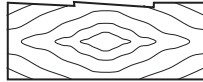
- (A) Để trước (Để di chuyển)
- (B) Để sau (Để cố định)

Lắp đặt đúng kỹ thuật



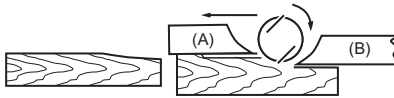
Mặc dù góc nhìn bên hông không hiển thị, các mép của lưới bảo chạy hoàn toàn song song với bề mặt phần đế sau.

Các vết khía trên bề mặt



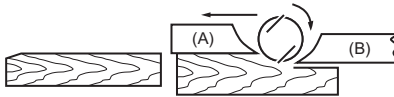
Nguyên do: Một hoặc cả hai lưới bảo có mép không song song với đường vạch của đế sau.

Khoét lức bắt đầu



Nguyên do: Các mép của một hoặc cả hai lưới bảo không nhô ra đủ so với đường vạch của đế sau.

Khoét lức cuối



Nguyên do: Các mép của một hoặc cả hai lưới bảo nhô ra quá nhiều so với đường vạch của đế sau.

## NỐI MÁY HÚT BỤI

**LƯU Ý:** Ở một số quốc gia, bộ dụng cụ có thể không bao gồm vòi phun làm phụ kiện tiêu chuẩn.

► **Hình6:** 1. Máy hút bụi

### Đối với các dụng cụ có vòi phun

Nối ống dẫn máy hút bụi với vòi phun.

### Đối với dụng cụ không có vòi phun

1. Tháo nắp chắn vụn bảo ra khỏi dụng cụ.
  2. Lắp vòi phun lên dụng cụ bằng vít.
- **Hình7:** 1. Phụ kiện đầu hút 2. Máy vận vít cầm tay hoạt động bằng động cơ điện
3. Nối ống dẫn máy hút bụi với vòi phun.

## Làm sạch vòi phun

Làm sạch vòi phun thường xuyên.  
Sử dụng khí nén để làm sạch vòi phun bị tắc.

## VẬN HÀNH

**⚠ CẢNH BÁO:** Không vận hành máy khi không có vòi hoặc nắp chắn vụn bảo chưa gài đúng vị trí để giảm nguy cơ chấn thương cho con người.

### Thao tác bảo

► **Hình8:** 1. Bắt đầu 2. Kết thúc

Đầu tiên, đặt phần đế trước của dụng cụ nằm ngang trên bề mặt vật gia công mà không để cho các lưới bảo tiếp xúc với bề mặt. Bật công tắc lên và chờ đến khi các lưới bảo đạt được tốc độ đầy đủ. Sau đó di chuyển dụng cụ nhẹ nhàng về phía trước. Nhấn lên phần trước dụng cụ vào lúc bắt đầu đường bảo, và lên phần sau dụng cụ khi kết thúc đường bảo. Sẽ dễ bảo hơn nếu bạn đặt nghiêng vật gia công theo kiểu cố định, sao cho bạn có thể bảo theo hướng dốc xuống.

Tốc độ và chiều sâu cắt sẽ quyết định kiểu bề mặt hoàn thiện của đường bảo. Máy bào cầm tay hoạt động bằng động cơ điện sẽ luôn tiếp tục cắt ở một tốc độ mà sẽ không gây kẹt vụn bảo. Để cắt thô, chiều sâu cắt có thể được tăng lên, còn để có được bề mặt hoàn thiện đẹp bạn cần phải giảm bớt chiều sâu cắt và đưa dụng cụ về phía trước nhẹ nhàng hơn.



## Vết góc

Để tạo vết cắt như thể hiện trong hình vẽ, căn chỉnh rãnh chữ "V" ở phần đế trước với phần mép của phôi gia công và bắt đầu bào như thể hiện trong hình.

### ► Hình9

► **Hình10:** 1. Căn chỉnh rãnh (Y) với mép của vật gia công

## BẢO TRÌ

### ⚠ THẬN TRỌNG:

- Luôn bảo đảm rằng dụng cụ được tắt điện và rút phích cắm trước khi thử thực hiện việc kiểm tra hoặc bảo trì.
- Không bao giờ dùng xăng, ét xăng, dung môi, cồn hoặc hóa chất tương tự. Có thể xảy ra hiện tượng mất màu, biến dạng hoặc nứt vỡ.

Để đảm bảo AN TOÀN và TIN CẬY của sản phẩm, việc sửa chữa, việc kiểm tra và thay thế chổi các-bon, hoặc bất cứ thao tác bảo trì, điều chỉnh nào đều phải được thực hiện bởi các Trung tâm Dịch vụ Nhà máy hoặc Trung tâm Được Ủy quyền của Makita, luôn sử dụng các phụ tùng thiết bị thay thế của Makita.

### Mài sắc các lưỡi bào

► **Hình11:** 1. Giá mài

Luôn giữ cho các lưỡi bào của bạn được sắc bén để có thể hoạt động tốt nhất. Sử dụng giá mài để loại bỏ các vết khía và làm mép lưỡi sắc bén.

Đầu tiên, vận lỏng hai ốc tai vận ở trên giá mài và lắp các lưỡi (A) và (B) vào sao cho chúng tiếp xúc với các mặt (C) và (D). Sau đó vận chặt các ốc tai vận.

► **Hình12:** 1. Ốc tai vận 2. Lưỡi (A) 3. Lưỡi (B) 4. Mặt (C) 5. Mặt (D)

Nhúng viên đá mài vào nước trong vòng 2 hoặc 3 phút trước khi mài. Giữ chặt giá mài sao cho cả hai lưỡi đều tiếp xúc với viên đá mài để mài đồng thời ở cùng một góc độ.

► **Hình13**

## PHỤ KIỆN TỰY CHỌN

### ⚠ THẬN TRỌNG:

- Các phụ kiện hoặc phụ tùng gắn thêm này được khuyến cáo sử dụng với dụng cụ Makita của bạn theo như quy định trong hướng dẫn này. Việc sử dụng bất cứ phụ kiện hoặc phụ tùng gắn thêm nào khác đều có thể gây ra rủi ro thương tích cho người. Chỉ sử dụng phụ kiện hoặc phụ tùng gắn thêm cho mục đích đã quy định sẵn của chúng.

Nếu bạn cần bất kỳ sự hỗ trợ nào để biết thêm chi tiết về các phụ tùng này, hãy hỏi Trung tâm Dịch vụ của Makita tại địa phương của bạn.

- Lưỡi bào thép tốc độ cao
- Lưỡi bào mini
- Mài sắc bộ phận lắp giá đỡ
- Cờ đặt lưỡi bào
- Thước dẫn
- Bộ thước dẫn kéo dài
- Đá mài
- Phụ kiện đầu hút
- Bộ phận túi chứa bụi
- Bộ nối
- Chia vận đầu ống

### LƯU Ý:

- Một số mục trong danh sách có thể được bao gồm trong gói dụng cụ làm phụ kiện tiêu chuẩn. Các mục này ở mỗi quốc gia có thể khác nhau.

## ข้อมูลจำเพาะ

รุ่น	1911B
ความกว้างในการไส	110 mm
ความลึกในการไส	2 mm
ความเร็วหมุนเปล่า (min <sup>-1</sup> )	16,000
ความยาวโดยรวม	355 mm
น้ำหนักสุทธิ	4.1 kg
มาตรฐานความปลอดภัย	回/II

- เนื่องจากการค้นคว้าวิจัยและพัฒนาอย่างต่อเนื่อง ข้อมูลจำเพาะในเอกสารฉบับนี้อาจเปลี่ยนแปลงได้โดยไม่ต้องแจ้งให้ทราบล่วงหน้า
- ข้อมูลจำเพาะอาจแตกต่างกันไปในแต่ละประเทศ
- น้ำหนักตามข้อบังคับของ EPTA 01/2014

### สัญลักษณ์

ต่อไปนี้เป็นสัญลักษณ์ที่ใช้สำหรับอุปกรณ์ โปรดศึกษาความหมายของสัญลักษณ์ให้เข้าใจก่อนการใช้งาน



อ่านคู่มือการใช้งาน



ฉนวนสองชั้น



สำหรับประเทศในสหภาพยุโรปเท่านั้น ห้ามตั้งอุปกรณ์ไฟฟ้ารวมกับขยะครัวเรือนทั่วไป! เพื่อให้เป็นไปตามกฎระเบียบของยุโรปเกี่ยวกับขยะจำพวกอุปกรณ์ไฟฟ้าและอิเล็กทรอนิกส์ และการปฏิบัติตามกฎหมายในประเทศ ต้องเก็บอุปกรณ์ไฟฟ้าทั้งหมดอายุการใช้งานแล้วแยกต่างหาก และส่งกลับไปยังศูนย์รีไซเคิลที่เป็นมิตรต่อสิ่งแวดล้อม

### จุดประสงค์การใช้งาน

เครื่องมือนี้มีจุดประสงค์เพื่อขัดไม้

### แหล่งจ่ายไฟ

ควรเชื่อมต่อเครื่องมือกับแหล่งจ่ายไฟที่มีแรงดันไฟฟ้าตามที่ระบุไว้ในป้ายข้อมูลของเครื่องมือ และจะต้องใช้ไฟฟ้ากระแสสลับแบบเฟสเดียวเท่านั้น อุปกรณ์นี้ได้รับการหุ้มฉนวนสองชั้นและสามารถใช้กับปลั๊กไฟที่ไม่มีสายดินได้

### คำเตือนด้านความปลอดภัยของเครื่องมือไฟฟ้าทั่วไป

**คำเตือน:** โปรดอ่านคำเตือนด้านความปลอดภัย คำแนะนำ ภาพประกอบ และข้อมูลจำเพาะต่างๆ ที่ให้มา กับเครื่องมือไฟฟ้านี้อย่างละเอียด การไม่ปฏิบัติตามคำแนะนำดังต่อไปนี้ อาจส่งผลให้เกิดไฟฟ้าช็อต ไฟไหม้ และ/หรือได้รับบาดเจ็บอย่างร้ายแรงได้

### เก็บรักษาเครื่องมือและคำแนะนำทั้งหมดไว้เป็นข้อมูลอ้างอิงในอนาคต

คำว่า “เครื่องมือไฟฟ้า” ในคำเตือนนี้หมายถึงเครื่องมือไฟฟ้า (มีสาย) ที่ทำงานโดยใช้กระแสไฟฟ้าหรือเครื่องมือไฟฟ้า (ไร้สาย) ที่ทำงานโดยใช้แบตเตอรี่

### ความปลอดภัยของพื้นที่ทำงาน

1. ดูแลพื้นที่ทำงานให้มีความสะอาดและมีแสงไฟสว่าง พื้นที่ที่กระเบื้องหรือมัตที่บอบบางนำไปสู่การเกิดอุบัติเหตุได้
2. อย่าใช้งานเครื่องมือไฟฟ้าในสภาพที่อาจเกิดการระเบิด เช่น ในสถานที่ที่มีของเหลว ก๊าซ หรือฝุ่นผงที่มีคุณสมบัติไวไฟ เครื่องมือไฟฟ้าอาจสร้างประกายไฟและจุดชนวนฝุ่นผงหรือก๊าซดังกล่าว
3. ดูแลไม่ให้มีเด็กๆ หรือบุคคลอื่นอยู่ในบริเวณที่กำลังใช้เครื่องมือไฟฟ้า การมีสิ่งรบกวนสมาธิอาจทำให้คุณสูญเสียการควบคุม

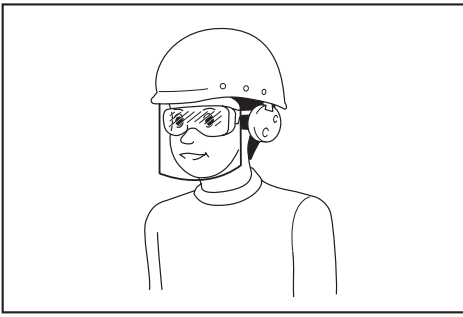
## ความปลอดภัยด้านไฟฟ้า

1. ปลั๊กของเครื่องมือไฟฟ้าต้องพอดีกับเต้ารับ อย่าตัดแปลงปลั๊กไม่ว่ากรณีใดๆ อย่าใช้ปลั๊กอะแดปเตอร์กับเครื่องมือไฟฟ้าที่ต่อสายดิน ปลั๊กที่ไม่ถูกตัดแปลงและเต้ารับที่เข้ากันพอดีจะช่วยลดความเสี่ยงของการเกิดไฟฟ้าช็อต
2. ระวังอย่าให้ร่างกายสัมผัสกับพื้นผิวที่ต่อสายดิน เช่น ท่อ เครื่องนำความร้อน เตาหุงต้ม และตู้เย็น มีความเสี่ยงที่จะเกิดไฟฟ้าช็อตสูงขึ้น หากร่างกายของคุณสัมผัสกับพื้น
3. อย่าให้เครื่องมือไฟฟ้าถูกน้ำหรืออยู่ในสภาพเปียกชื้น น้ำที่ไหลเข้าไปในเครื่องมือไฟฟ้าจะเพิ่มความเสี่ยงของการเกิดไฟฟ้าช็อต
4. อย่าใช้สายไฟอย่างไม่เหมาะสม อย่าใช้สายไฟเพื่อยก ดึง หรือถอดปลั๊กเครื่องมือไฟฟ้า เก็บสายไฟให้ห่างจากความร้อน น้ำมัน ของมีคม หรือชิ้นส่วนที่เคลื่อนที่ สายที่ชำรุดหรือพันกันจะเพิ่มความเสี่ยงของการเกิดไฟฟ้าช็อต
5. ขณะที่ใช้งานเครื่องมือไฟฟ้านอกอาคาร ควรใช้สายต่อพ่วงที่เหมาะสมกับงานภายนอกอาคาร การใช้สายที่เหมาะสมกับงานภายนอกอาคารจะลดความเสี่ยงของการเกิดไฟฟ้าช็อต
6. หากต้องใช้งานเครื่องมือไฟฟ้าในสถานที่เปียกชื้น ให้ใช้อุปกรณ์ป้องกันกระแสไฟรั่ว (RCD) การใช้ RCD จะลดความเสี่ยงของการเกิดไฟฟ้าช็อต
7. แนะนำให้ใช้แหล่งจ่ายไฟผ่าน RCD ที่มีกระแสไฟรั่วในอัตราไม่เกิน 30 mA เสมอ
8. เครื่องมือไฟฟ้าอาจสร้างสนามแม่เหล็ก (EMF) ที่ไม่เป็นอันตรายต่อผู้ใช้ อย่างไรก็ตาม ผู้ใช้ที่ใส่เครื่องกระตุ้นหัวใจและอุปกรณ์ทางการแพทย์ที่คล้ายกันนี้ ควรติดต่อผู้ผลิตอุปกรณ์และ/หรือแพทย์เพื่อรับคำแนะนำก่อนใช้งานเครื่องมือไฟฟ้านี้
9. อย่าจับปลั๊กไฟด้วยมือที่เปียก
10. หากสายไฟชำรุด โปรดให้ผู้ผลิตหรือตัวแทนของผู้ผลิตเปลี่ยนให้ เพื่อหลีกเลี่ยงอันตราย

## ความปลอดภัยส่วนบุคคล

1. ให้ระมัดระวังและมีสติอยู่เสมอขณะใช้งานเครื่องมือไฟฟ้า อย่าใช้งานเครื่องมือไฟฟ้าในขณะที่คุณกำลังเหนื่อย หรือในสภาพที่มึนเมาจากยาเสพติด เครื่องดื่ม แอลกอฮอล์ หรือการเข้ายา ช่วงเวลาที่ขาดความระมัดระวังเมื่อกำลังใช้งานเครื่องมือไฟฟ้าอาจทำให้ได้รับบาดเจ็บร้ายแรง

2. ใช้อุปกรณ์ป้องกันส่วนบุคคล สวมแว่นตาป้องกันเสมอ อุปกรณ์ป้องกัน เช่น หน้ากากกันฝุ่น รองเท้านิรภัย กันลื่น หมวกนิรภัย หรือเครื่องป้องกันการได้ยินที่ใช้ในสภาพที่เหมาะสมจะช่วยลดการบาดเจ็บ
3. ป้องกันไม่ให้เกิดการเปิดใช้งานโดยไม่ตั้งใจ ตรวจสอบให้แน่ใจว่าสวิตช์ปิดอยู่ก่อนที่จะเชื่อมต่อกับแหล่งจ่ายไฟ และ/หรือชุดแบตเตอรี่ รวมทั้งตรวจสอบก่อนการยกหรือเคลื่อนย้ายเครื่องมือ การสอดนิ้วมือบริเวณสวิตช์เพื่อถือเครื่องมือไฟฟ้า หรือการชาร์จไฟเครื่องมือไฟฟ้าในขณะที่เปิดสวิตช์อยู่อาจนำไปสู่การเกิดอุบัติเหตุ
4. นำกฎแบริบตั้งหรือประจำออกก่อนที่จะเปิดเครื่องมือไฟฟ้า ประแจหรือกฎแบริบที่เสียบค้างอยู่ในชิ้นส่วนที่หมุนได้อาจเครื่องมือไฟฟ้าอาจทำให้ได้รับบาดเจ็บ
5. อย่าทำงานในระบะที่มืดอ้อม จัดท่ากรยีนและการทรงตัวให้เหมาะสมตลอดเวลา เพราะจะทำให้ควบคุมเครื่องมือไฟฟ้าได้ดีขึ้นในสถานการณ์ที่ไม่คาดคิด
6. แต่งกายให้เหมาะสม อย่าสวมเครื่องแต่งกายที่หลวมเกินไป หรือสวมเครื่องประดับ ดูแลไม่ให้เส้นผมและเสื้อผ้าอยู่ใกล้ชิ้นส่วนที่เคลื่อนที่ เสื้อผ้ารุ่มร่าม เครื่องประดับ หรือผมที่มีความยาวอาจเข้าไปติดในชิ้นส่วนที่เคลื่อนที่
7. หากมีการจัดอุปกรณ์สำหรับดูดและจัดเก็บฝุ่นไว้ในสถานที่ ให้ตรวจสอบว่าได้เชื่อมต่อและใช้งานอุปกรณ์นั้นอย่างเหมาะสม การใช้เครื่องดูดและจัดเก็บฝุ่นจะช่วยลดอันตรายที่เกิดจากฝุ่นผงได้
8. อย่าให้ความคุ้นเคยจากการใช้งานเครื่องมือเป็นประจำทำให้คุณทำตามตามสบายและละเลยหลักการเพื่อความปลอดภัยในการใช้เครื่องมือ การกระทำที่ไม่ระมัดระวังอาจทำให้เกิดการบาดเจ็บร้ายแรงภายในเสี้ยววินาที
9. สวมใส่แว่นครอบตานิรภัยเพื่อปกป้องดวงตาของคุณจากการบาดเจ็บเมื่อใช้เครื่องมือไฟฟ้า แว่นครอบตาจะต้องได้มาตรฐาน ANSI Z87.1 ในสหรัฐ, EN 166 ในยุโรป หรือ AS/NZS 1336 ในออสเตรเลีย/นิวซีแลนด์ ในออสเตรเลีย/นิวซีแลนด์ จะต้องสวมเกราะป้องกันใบหน้าเพื่อปกป้องใบหน้าของคุณอย่างถูกต้องตามกฎหมายด้วย



ผู้ว่าจ้างมีหน้าที่รับผิดชอบในการบังคับผู้ใช้งานเครื่องมือและบุคคลอื่นๆ ที่อยู่ในบริเวณที่ปฏิบัติงานให้ใช้อุปกรณ์ป้องกันที่เหมาะสม

#### การใช้และดูแลเครื่องมือไฟฟ้า

1. อย่าฝืนใช้เครื่องมือไฟฟ้า ใช้เครื่องมือไฟฟ้าที่เหมาะสมกับการใช้งานของคุณ เครื่องมือไฟฟ้าที่เหมาะสมจะทำให้ได้งานที่มีประสิทธิภาพและปลอดภัยกว่าตามขีดความสามารถของเครื่องที่ได้รับการออกแบบมา
2. อย่าใช้เครื่องมือไฟฟ้า หากสวิทช์ไม่สามารถเปิดปิดได้ เครื่องมือไฟฟ้าที่ควบคุมด้วยสวิทช์ไม่ได้เป็นสิ่งอันตรายและต้องได้รับการซ่อมแซม
3. ถอดปลั๊กจากแหล่งจ่ายไฟ และ/หรือชุดแบตเตอรี่ออกจากเครื่องมือไฟฟ้าก่อนทำการปรับตั้ง เปลี่ยนอุปกรณ์เสริม หรือจัดเก็บเครื่องมือไฟฟ้า วิธีการป้องกันด้านความปลอดภัยดังกล่าวจะช่วยลดความเสี่ยงในการเปิดใช้งานเครื่องมือไฟฟ้าโดยไม่ตั้งใจ
4. จัดเก็บเครื่องมือไฟฟ้าที่ไม่ได้ใช้งานให้ห่างจากมือเด็ก และอย่าอนุญาตให้บุคคลที่ไม่คุ้นเคยกับเครื่องมือไฟฟ้าหรือคำแนะนำเหล่านี้ใช้งานเครื่องมือไฟฟ้า เครื่องมือไฟฟ้าจะเป็นอันตรายเมื่ออยู่ในมือของผู้ที่ไม่ได้รับการฝึกอบรม
5. บำรุงรักษาเครื่องมือไฟฟ้าและอุปกรณ์เสริม ตรวจสอบการประกอบที่ไม่ถูกต้องหรือการเชื่อมต่อของชิ้นส่วนที่เคลื่อนที่ การแตกหักของชิ้นส่วน หรือสภาพอื่น ๆ ที่อาจส่งผลกระทบต่อการทำงานของเครื่องมือไฟฟ้า หากมีความเสียหาย ให้นำเครื่องมือไฟฟ้าไปซ่อมแซมก่อนการใช้งาน อุบัติเหตุจำนวนมากเกิดจากการดูแลรักษาเครื่องมือไฟฟ้าอย่างไม่ถูกต้อง
6. ทำความสะอาดเครื่องมือตัดและลับให้คมอยู่เสมอ เครื่องมือการตัดที่มีการดูแลอย่างถูกต้องและมีขอบการตัดคมมักจะมีปัญหาติดขัดน้อยและควบคุมได้ง่ายกว่า

7. ใช้เครื่องมือไฟฟ้า อุปกรณ์เสริม และวัสดุสิ้นเปลือง ฯลฯ ตามคำแนะนำดังกล่าว พิจารณาสภาพการทำงานและงานที่จะลงมือทำ การใช้เครื่องมือไฟฟ้าเพื่อทำงานอื่นนอกเหนือจากที่กำหนดไว้อาจทำให้เกิดอันตราย
8. ดูแลมือจับและบริเวณมือจับให้แห้ง สะอาด และไม่มีน้ำมันและจาระบีเปื้อน มือจับและบริเวณมือจับที่ลื่นจะทำให้ไม่สามารถจับและควบคุมเครื่องมือได้อย่างปลอดภัยในสถานการณ์ที่ไม่คาดคิด
9. ขณะใช้งานเครื่องมือ อย่าสวมใส่ถุงมือผ้าที่อาจเข้าไปติดในเครื่องมือได้ หากถุงมือผ้าเข้าไปติดในชิ้นส่วนที่กำลังเคลื่อนที่ที่อยู่อาจทำให้ได้รับบาดเจ็บ

#### การซ่อมบำรุง

1. นำเครื่องมือไฟฟ้าเข้ารับการบริการจากช่างซ่อมที่ผ่านการรับรองโดยใช้อะไหล่แบบเดียวกันเท่านั้น เพราะจะทำให้การใช้เครื่องมือไฟฟ้ามีความปลอดภัย
2. ปฏิบัติตามคำแนะนำในการหล่อลื่นและการเปลี่ยนอุปกรณ์เสริม

#### คำเตือนด้านความปลอดภัยของกบไฟฟ้า

1. รอจนกว่าหัวตัดจะหยุดนิ่งก่อนที่จะวางเครื่องมือลง หัวตัดที่ยังหมุนอยู่อาจกระทบกับพื้นผิวซึ่งส่งผลให้เกิดการสูญเสียการควบคุมและการบาดเจ็บสาหัสได้
2. จับเครื่องมือไฟฟ้าที่พื้นผิวมือจับหุ้มฉนวน เนื่องจากหัวตัดอาจสัมผัสเข้ากับสายไฟของเครื่องมือ การตัดสายไฟที่ "มีกระแสไฟฟ้าไหลผ่าน" อาจทำให้ส่วนที่เป็นโลหะของเครื่องมือไฟฟ้าที่ไม่มีฉนวนหุ้ม "มีกระแสไฟฟ้าไหลผ่าน" และทำให้ผู้ปฏิบัติงานถูกไฟฟ้าช็อตได้
3. ใช้ที่หนีบหรือวิธีที่ใช้ได้อื่นๆ เพื่อยึดและรองรับชิ้นงานเข้ากับแท่นที่มั่นคง การจับชิ้นงานด้วยมือหรือแนบกับลำตัวจะทำให้ชิ้นงานไม่มั่นคงและอาจนำไปสู่การสูญเสียการควบคุมได้
4. ผ้าชีวีร์ เศษผ้า สายไฟ เชือก และสิ่งที่คล้ายกันนี้ไม่ควรอยู่ในบริเวณพื้นที่ทำงาน
5. หลีกเลี่ยงการตัดตะปู ตรวจสอบและถอนตะปูทั้งหมดออกจากชิ้นงานก่อนการทำงาน
6. ใช้เฉพาะใบมีดที่คมเท่านั้น จับใบมีดด้วยความระมัดระวัง
7. ตรวจสอบให้แน่ใจว่าสลักเกลียวสำหรับการติดตั้งใบมีดนั้นได้รับการขันให้แน่นก่อนการทำงาน
8. จับเครื่องมือให้แน่นด้วยมือทั้งสองข้าง
9. อย่านำมือเข้าไปใกล้ชิ้นส่วนหมุน

10. ก่อนใช้เครื่องมือบนชิ้นงานจริง ให้ปล่อยให้เครื่องมือทำงานสักครู่ สังเกตการสั่นสะเทือนหรือการส่ายไปมาที่อาจบ่งบอกถึงการติดตั้งที่ไม่ดีหรือสมดุลไม่มิติ
11. ตรวจสอบให้แน่ใจว่าใบมีดนั้นไม่ได้สัมผัสกับชิ้นงานก่อนที่จะเปิดสวิตช์
12. รอจนกระทั่งใบเลื่อยทำงานถึงความเร็วเต็มที่ก่อนที่จะทำการตัด
13. ปิดสวิตช์และรอกนกว่าใบมีดจะหยุดนิ่งสนิทก่อนทำการปรับใดๆ ทุกครั้ง
14. ห้ามเหยยนิ้วเข้าไปในร่องสเกศไม้เด็ดขาด ร่องส่งอาจติดขัดเมื่อตัดไม้ที่เปียกชื้น ให้ใช้แท่งไม้ทำความสะอาดสเกศไม้บ่อย
15. อย่าปล่อยให้เครื่องมือทำงานค้างไว้ ชิ้นงานเครื่องมือเฉพาะเมื่อจับด้วยมือเท่านั้น
16. เปลี่ยนใบมีดทั้งสองใบหรือฝาครอบท่อนอยู่เสมอ ไมเช่นนั้นการเสียดสีที่เกิดขึ้นจะส่งผลให้เกิดการสั่นสะเทือนและอายุการใช้งานของเครื่องมือสั้นลง
17. ใช้เฉพาะใบมีด Makita ตามที่ได้ระบุไว้ในคู่มือเล่มนี้เท่านั้น
18. ใช้หน้ากากกันฝุ่น/ควนิพษที่เหมาะสมกับวัสดุและการใช้งานที่คุณกำลังทำงานอยู่เสมอ

### ปฏิบัติตามคำแนะนำเหล่านี้

**คำเตือน:** อย่าให้ความไม่ระมัดระวังหรือความคุ้นเคยกับผลิตภัณฑ์ (จากการใช้งานซ้ำหลายครั้ง) อยู่เหนือการปฏิบัติตามกฎเกณฑ์ด้านความปลอดภัยในการใช้งานผลิตภัณฑ์อย่างเคร่งครัด

การใช้งานอย่างไม่เหมาะสมหรือการไม่ปฏิบัติตามกฎเกณฑ์ด้านความปลอดภัยในคู่มือการใช้งานนี้อาจทำให้ได้รับบาดเจ็บรุนแรง

### คำอธิบายการทำงาน

#### ข้อควรระวัง:

- ตรวจสอบให้แน่ใจเสมอว่าปิดสวิตช์เครื่องมือและถอดปลั๊กแล้วก่อนทำการปรับหรือตรวจสอบฟังก์ชันบนเครื่องมือ

### การปรับความลึกในการไส

- **หมายเลข 1:** 1. ปุ่มหมุน

สามารถปรับความลึกของการตัดได้โดยการหมุนปุ่มหมุนที่ด้านหน้าของเครื่องมือ

### การทำงานของสวิตช์

#### ข้อควรระวัง:

- ก่อนเสียบปลั๊กเครื่องมือ ให้ตรวจสอบว่าสวิตช์สั่งงานสามารถทำงานได้อย่างถูกต้อง และกลับไปยังตำแหน่ง "ปิด" เมื่อปล่อยให้

- **หมายเลข 2:** 1. ปุ่มล๊อค / ปุ่มปลดล๊อค 2. สวิตช์สั่งงาน

### สำหรับเครื่องมือที่มีปุ่มล๊อค

การเริ่มใช้งานเครื่องมือ เพียงกดสวิตช์สั่งงาน ปล่อยให้สวิตช์สั่งงานเพื่อหยุดเครื่องมือ

สำหรับการทำงานต่อเนื่อง ให้กดสวิตช์สั่งงาน แล้วดันปุ่มล๊อคเข้า

การหยุดใช้งานเครื่องมือจากตำแหน่งล๊อค ให้กดสวิตช์สั่งงานจนสุดแล้วปล่อยให้

### สำหรับเครื่องมือที่มีปุ่มปลดล๊อค

เพื่อป้องกันสวิตช์สั่งงานจากการถูกดึงโดยไม่ตั้งใจ จึงมีปุ่มปลดล๊อคมาให้

เพื่อสตาร์ทเครื่องมือ ให้กดปุ่มปลดล๊อคและกดสวิตช์สั่งงาน ปล่อยให้สวิตช์สั่งงานเพื่อหยุดเครื่องมือ

### การประกอบ

#### ข้อควรระวัง:

- ตรวจสอบให้แน่ใจเสมอว่าปิดเครื่องมือและถอดปลั๊กแล้วก่อนดำเนินการใดๆ กับเครื่องมือ

### การถอดหรือติดตั้งใบมีดไส

- **หมายเลข 3:** 1. ประแจหัวบ็อกซ์ 2. สลักเกลียวติดตั้ง

#### ข้อควรระวัง:

- ชันสลักเกลียวติดตั้งใบมีดให้แน่นอย่างระมัดระวัง เมื่อใส่ใบมีดเข้ากับเครื่องมือ สลักเกลียวติดตั้งที่หลวมอาจเป็นอันตรายได้ ตรวจสอบว่าสลักเกลียวถูกขันแน่นดีแล้วอย่างสม่ำเสมอ
- จับใบมีดด้วยความระมัดระวัง ใช้ถุงมือหรือผ้าเพื่อป้องกันนิ้วมือหรือมือของคุณเมื่อทำการถอดหรือติดตั้งใบมีด
- ใช้เฉพาะประแจ Makita ที่มีมาให้เพื่อถอดหรือใส่ใบมีด หากไม่ทำตามอาจส่งผลให้เกิดการขันแน่นเกินไปหรือหลวมเกินไปเมื่อติดตั้งใบมีด ซึ่งอาจทำให้เกิดการบาดเจ็บได้

เพื่อถอดโบริมออกจากท่อน ให้คลายเกลียวสลักเกลียวติดตั้งด้วยประแจหัวบ็อกซ์ ฝาครอบท่อนจะหลุดออกมาพร้อมกับโบริม

เพื่อติดตั้งโบริม ขั้นแรกให้ทำความสะอาดเศษไม้หรือวัสดุแปลกปลอมที่ติดอยู่ในท่อนหรือโบริม ใช้โบริมที่มีขนาดและน้ำหนักเดียวกัน ไม่เช่นนั้นจะส่งผลให้ท่อนแกว่ง/สั่น ทำให้การทำงานไสได้ไม่ดี และเครื่องมือเสียหายได้ในที่สุด

► **หมายเลข 4:** 1. สลักเกลียว 2. ท่อน 3. โบริมไส 4. ฝาครอบท่อน 5. แผ่นปรับ

วางโบริมติดลงบนฐานเกลเพื่อให้ขอบโบริมติดอยู่ในระนาบเดียวกับขอบของแผ่นเกล วางแผ่นปรับระดับลงบนโบริม จากนั้นกดสันของแผ่นปรับด้วยด้านหลังของฐานเกลและขันด้วยสกรูสองตัวที่อยู่บนแผ่นปรับ จากนั้นให้เลื่อนสันของแผ่นปรับระดับเข้าไปในร่องท่อน จากนั้นให้ใส่ฝาครอบท่อนท่อนไป ขั้นลักเกลียวใส่โบริมโดยสลักขันให้เท่าๆ กันด้วยประแจหัวบ็อกซ์

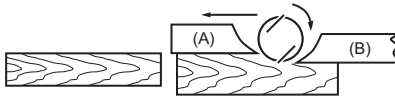
► **หมายเลข 5:** 1. แผ่นปรับ 2. สกรู 3. สันของแผ่นปรับ 4. ด้านหลังของฐานเกล 5. ขอบโบริม 6. โบริมไส 7. ขอบด้านในของแผ่นเกล 8. แผ่นเกล

## สำหรับการติดตั้งโบริมไสที่ถูกต้อง

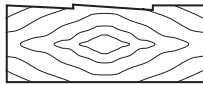
ผิวหน้าที่คุณไสจะออกมาเรียบและไม่เสมอกัน จนกว่าโบริมจะถูกติดตั้งอย่างถูกต้องและแน่นหนา โบริมจะต้องถูกยึดไว้โดยให้คมมีดอยู่ในระนาบที่ขนานกับพื้นผิวของฐานด้านหลัง โปรดดูตัวอย่างด้านล่างสำหรับการติดตั้งที่เหมาะสมและไม่เหมาะสม

- (A) ฐานด้านหน้า (เท้าแบบเคลื่อนได้)
- (B) ฐานด้านท้าย (เท้าหนึ่ง)

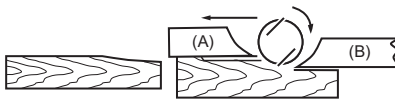
การติดตั้งที่ถูกต้อง



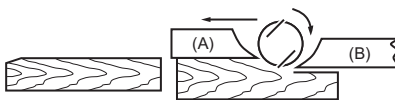
ร่องบากบนผิวหน้า



เซาะเป็นร่องเมื่อเริ่มการไส



เซาะเป็นร่องเมื่อจบการไส



แม้ว่ามุมมองด้านข้างนี้จะไม่สามารถแสดงให้เห็น คมของโบริมจะวิ่งขนานไปกับผิวหน้าของฐานด้านท้าย

สาเหตุ: ขอบของโบริมติดโบริมหนึ่งหรือทั้งสองโบริมขนานกับแนวฐานด้านหลัง

สาเหตุ: โบริมติดโบริมหนึ่งหรือทั้งสองโบริมยื่นออกมาไม่เพียงพอเพื่อให้สัมพันธ์กับเส้นฐานด้านท้าย

สาเหตุ: โบริมติดโบริมหนึ่งหรือทั้งสองโบริมยื่นออกมาไม่มากเกินไปเพื่อให้สัมพันธ์กับเส้นฐานด้านท้าย

## การต่อที่ตุ๊ดฝุ่น

**หมายเหตุ:** ในบางประเทศอาจไม่มีหัวตุ๊ดรวมอยู่ในชุด เครื่องมือเป็นอุปกรณ์เสริมมาตรฐาน

► **หมายเลข 6:** 1. ที่ตุ๊ดฝุ่น

## สำหรับเครื่องมือที่มีหัวตุ๊ด

เชื่อมต่อท่อของที่ตุ๊ดฝุ่นเข้ากับหัวตุ๊ด

## สำหรับเครื่องมือที่ไม่มีหัวตุ๊ด

1. นำฝาครอบเศษไม้ออกจากเครื่องมือ
  2. ติดตั้งหัวตุ๊ดบนเครื่องมือโดยใช้สกรู
- **หมายเลข 7:** 1. ชุดหัวตุ๊ด 2. ไขควง
3. เชื่อมต่อท่อของที่ตุ๊ดฝุ่นเข้ากับหัวตุ๊ด

## การทำความสะอาดหัวตุ๊ด

ทำความสะอาดหัวตุ๊ดเป็นประจำ  
ใช้อากาศอัดในการทำความสะอาดหัวตุ๊ดที่อุดตัน

## การใช้งาน

**⚠ คำเตือน:** เพื่อลดความเสี่ยงในการได้รับบาดเจ็บ อย่าใช้งานโดยที่หัวตูดหรือฝาครอบเศษเลื่อยไม่อยู่ในตำแหน่ง

## การทำงานไส

▶ **หมายเลข 8:** 1. เริ่มต้น 2. สิ้นสุด

ขั้นแรกให้วางฐานด้านหน้าของเครื่องมือให้ราบบนผิวหน้าชิ้นงานโดยไม่ให้ใบมีดสัมผัสผิวดิ่งใด เปิดสวิตช์แล้วรอกนกว่าใบมีดจะทำงานถึงความเร็วสูงสุด จากนั้นค่อยๆ เลื่อนเครื่องมือไปข้างหน้า ใช้แรงกดลงบนด้านหน้าของเครื่องมือเพื่อเริ่มการไส และกดที่ด้านหลังเพื่อจบการไส การไสจะง่ายขึ้นหากคุณเอียงชิ้นงานโดยให้ชิ้นงานอยู่กับที่เพื่อที่คุณสามารถทำการไสแบบลาดลงได้

ความเร็วและความลึกในการไสเป็นตัวกำหนดชนิดของการเคลือบพื้นผิว กบไสไม้ไฟฟ้าช่วยให้เกิดการตัดไสที่ความเร็วซึ่งจะไม่ส่งผลให้เกิดเศษไม้ติดขัด สำหรับการไสหยาบ ความลึกของการไสสามารถเพิ่มขึ้นได้ ในขณะที่การไสละเอียดควรลดความลึกของการไสและเลื่อนเครื่องมือให้ช้าลง

## การไสลุ่มมูม

เพื่อทำการไสโค้งดังที่แสดงในภาพ ให้จัดร่องตัว “V” บนฐานด้านหน้าให้ตรงกับขอบของชิ้นงานแล้วทำการไสตามที่แสดงไว้ในภาพ

▶ **หมายเลข 9**

▶ **หมายเลข 10:** 1. จัดร่อง (Y) ให้ตรงกับขอบของชิ้นงาน

## การบำรุงรักษา

### ⚠ ข้อควรระวัง:

- ตรวจสอบให้แน่ใจเสมอว่าปิดสวิตช์เครื่องมือและถอดปลั๊กออกแล้วก่อนดำเนินการตรวจสอบหรือบำรุงรักษา
- ห้ามใช้แก๊สโซลีน เบนซิน ทินเนอร์ แอลกอฮอล์ หรือสิ่งอื่นที่คล้ายกันนี้ เนื่องจากอาจทำให้เกิดไฟลุกไหม้หรือระเบิดได้

เพื่อความปลอดภัยและความน่าเชื่อถือของผลิตภัณฑ์ ควรให้ศูนย์บริการหรือโรงงานที่ผ่านการรับรองจาก Makita เป็นผู้ดำเนินการซ่อมแซม ตรวจสอบและเปลี่ยนแปลงคาร์บอนบำรุงรักษา และทำการปรับตั้งอื่นๆ นอกจากนี้ให้ใช้อะไหล่ของแท้จาก Makita เสมอ

## การลับคมใบมีดไส

▶ **หมายเลข 11:** 1. ตัวจับสำหรับลับใบมีด

ลับใบมีดของคุณให้คมอยู่เสมอเพื่อประสิทธิภาพการทำงานที่ดีที่สุดเท่าที่จะเป็นไปได้ ใช้ตัวจับสำหรับลับใบมีดเพื่อลบรอยบิ่นและลับคม

ขั้นแรก ให้คลายน็อตหางปลาบนตัวจับและใส่ใบมีด (A) และ (B) เพื่อให้ใบมีดสัมผัสกับด้านข้าง (C) และ (D) จากนั้นขันน็อตหางปลาให้แน่น

▶ **หมายเลข 12:** 1. น็อตหางปลา 2. ใบมีด (A) 3. ใบมีด (B) 4. ด้านข้าง (C) 5. ด้านข้าง (D)

แช่หินลับมีดไว้นาน 2 หรือ 3 นาทีก่อนที่จะทำการลับ จับตัวจับสำหรับลับใบมีดเพื่อให้ใบมีดทั้งสองสัมผัสกับหินลับมีดสำหรับการลับคมที่สม่ำเสมอเหมือนกัน

▶ **หมายเลข 13**

## อุปกรณ์เสริม

### ⚠ ข้อควรระวัง:

- แนะนำให้ใช้อุปกรณ์เสริมหรืออุปกรณ์ต่อพ่วงเหล่านี้กับเครื่องมือ Makita ที่ระบุในคู่มือนี้ การใช้อุปกรณ์เสริมหรืออุปกรณ์ต่อพ่วงอื่นๆ อาจมีความเสี่ยงที่จะได้รับบาดเจ็บ ใช้อุปกรณ์เสริมหรืออุปกรณ์ต่อพ่วงตามวัตถุประสงค์ที่ระบุไว้ในคู่มือ

หากต้องการทราบรายละเอียดเพิ่มเติมเกี่ยวกับอุปกรณ์เสริมเหล่านี้ โปรดสอบถามศูนย์บริการ Makita ใกล้บ้านคุณ

- ใบมีดไสเหล็กกล้าความเร็วสูง
- ใบมีดกบขนาดเล็ก
- ชุดที่ยึดสำหรับลับใบมีด
- เกจใบมีด
- ตัวนำ
- ชุดเพิ่มตัวนำ
- หินลับมีด
- ชุดหัวตูด
- ชุดถุงดักฝุ่น
- ข้อต่อ
- ประแจหัวบ็อกซ์

### หมายเหตุ:

- บางรายการอาจไม่มีมาให้ เป็นอุปกรณ์เสริมมาตรฐานในชุดเครื่องมือ ซึ่งอาจแตกต่างกันไปในแต่ละประเทศ

**Makita Corporation**  
3-11-8, Sumiyoshi-cho,  
Anjo, Aichi 446-8502 Japan  
[www.makita.com](http://www.makita.com)

883098C377  
EN, ZHCN, ID, MS,  
VI, TH  
20190926