



VN	VIETNAM
----	---------

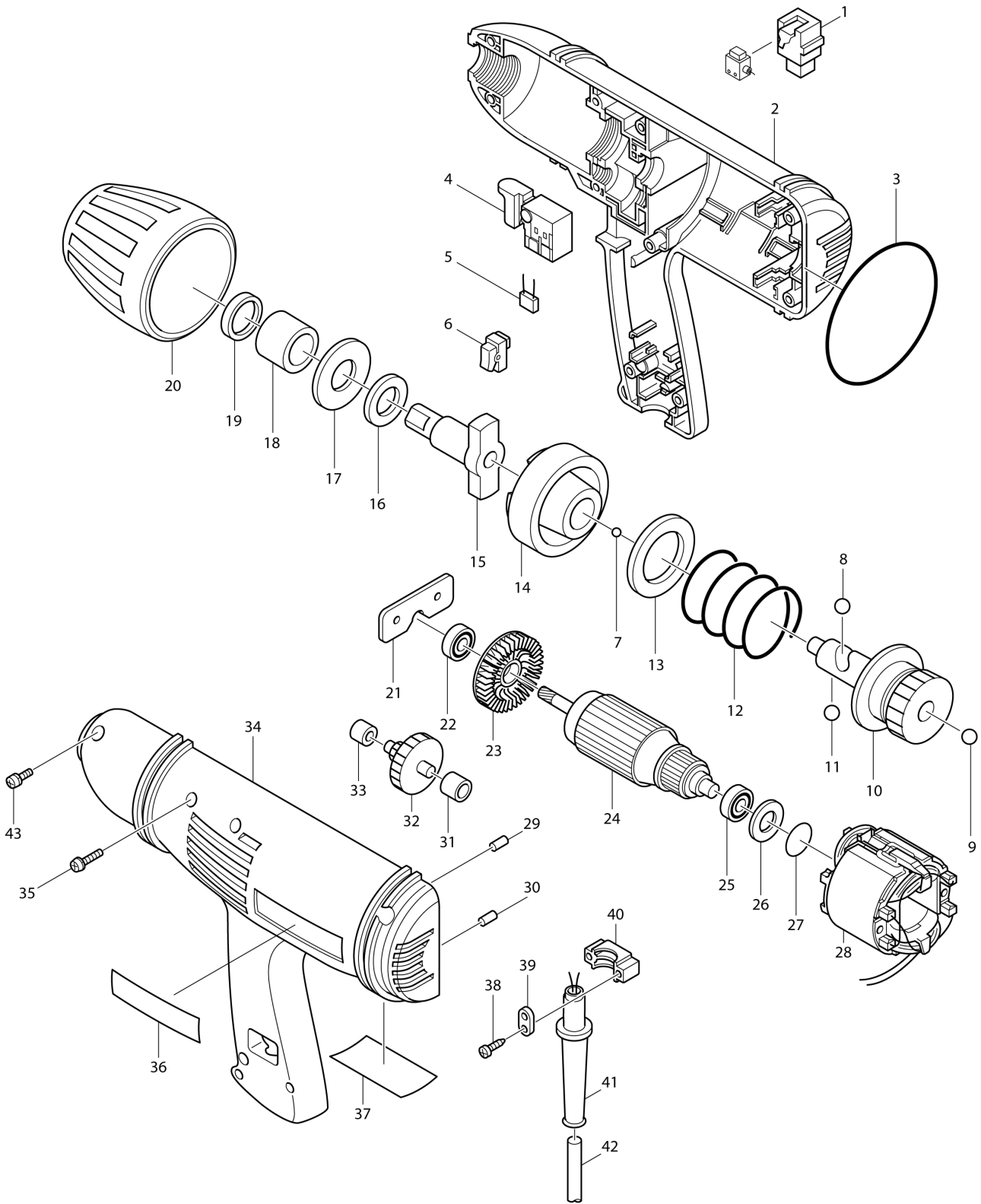
Diagram / Parts List

6905H

IMPACT WRENCH



(VN) 6905H / IMPACT WRENCH



VN	VIETNAM
-----------	----------------

6905H / IMPACT WRENCH

Item	Sub	Parts No.	Parts Description	Qty	I/C	E/C No.	Close No.	Remark
001		A-81278	CARBON BRUSH CB-415A	1			83185	
001-1		B-80173	CARBON BRUSH SET CB-415A	1	O	83185	85070	
001-2		B-80400	CARBON BRUSH SET CB-415A	1	<	85070		
002		182471-4	HOUSING SET	1				
	D10		INC. 29,30,34					
003		213718-6	O RING 70	1				
004		651248-3	SWITCH SGE106C	1				
006		651556-2	SWITCH VLX11	1				
007		216008-6	STEEL BALL 4	31				
008		216007-8	STEEL BALL 6.4	1				
009		216007-8	STEEL BALL 6.4	1				
010		153199-1	SPINDLE COMPLETE	1				
011		216007-8	STEEL BALL 6.4	1				
012		231493-2	COMPRESSION SPRING 34	1				
013		267079-6	FLAT WASHER 34	1				
014		322391-2	HAMMER	1				
015-1		324357-8	ANVIL	1			DC725	
015-2		327A24-0	ANVIL	1	<	DC725		
016		253937-2	FLAT WASHER 18	1				
017		261089-5	RUBBER WASHER 18	1				
018		257637-6	SLEEVE 18	1				
019		213257-6	OIL SEAL 18	1				
020-1		421747-7	BUMPER	1				
021		162149-5	CUSHION PLATE	1				
022		211031-6	BALL BEARING 608LLB	1				
023		241850-6	FAN 60	1				
024C		516053-4	ARMATURE ASS'Y 220V	1				
	D10		INC. 22,23,25					
025-1		210025-8	BALL BEARING 627LLB	1				
026		253192-6	FLAT WASHER 14	1				
027		213262-3	O RING 18	1				
028C1		634178-3	FIELD 220V	1				
029		263002-9	RUBBER PIN 4	1				
030		263002-9	RUBBER PIN 4	1				
031		214012-9	PLANE BEARING 6	1				
032		226100-0	GEAR COMPLETE 16-38	1				
033		214022-6	PLANE BEARING 8	1				
034		182471-4	HOUSING SET	1				
	D10		INC. 2,29,30					
035-2		911546-0	PAN HEAD SCREW M4X25	8				
036		819003-1	MAKITA LABEL	1				
037		856688-2	NAME PLATE 6905H	1				
038-1		265995-6	TAPPING SCREW 4X18	2				
039		687053-2	STRAIN RELIEF	1				
040		687051-6	STRAIN RELIEF	1				
041		682504-0	CORD GUARD 10-85	1				
042L		691015-4	POWER SUPPLY CORD 0.75-2-2.5	1				
043-1		911546-0	PAN HEAD SCREW M4X25	2				
A01-1		134831-6	SOCKET 19-38 ASS'Y	1				
	D10		INC. A05-2,A07					
A02-1		134851-0	SOCKET 22-38 ASS'Y	1				
	D10		INC. A05-2,A06-1					
A03-1		134841-3	SOCKET 24-45 ASS'Y	1				
	D10		INC. A05-2,A06-1					
A04-1		824698-7	PLASTIC CARRYING CASE	1				
	C10	182935-8	SLIDE LATCH (R.L) SET	1				
A05-2		268057-9	PIN 4	1				
A06-1		213399-6	O-RING 25	1				
A07		213398-8	O RING 24	1				
A08		A-81278	CARBON BRUSH CB-415A	2			83185	
A08-1		B-80173	CARBON BRUSH SET CB-415A	2	O	83185	85070	
A08-2		B-80400	CARBON BRUSH SET CB-415A	2	<	85070	87444	

Interchange
O : Yes
X : No
< : the new part can be substituted for the current.
> : the current part can be substituted for the new.
S : Interchangeable as a set.