



VN	VIETNAM
----	---------

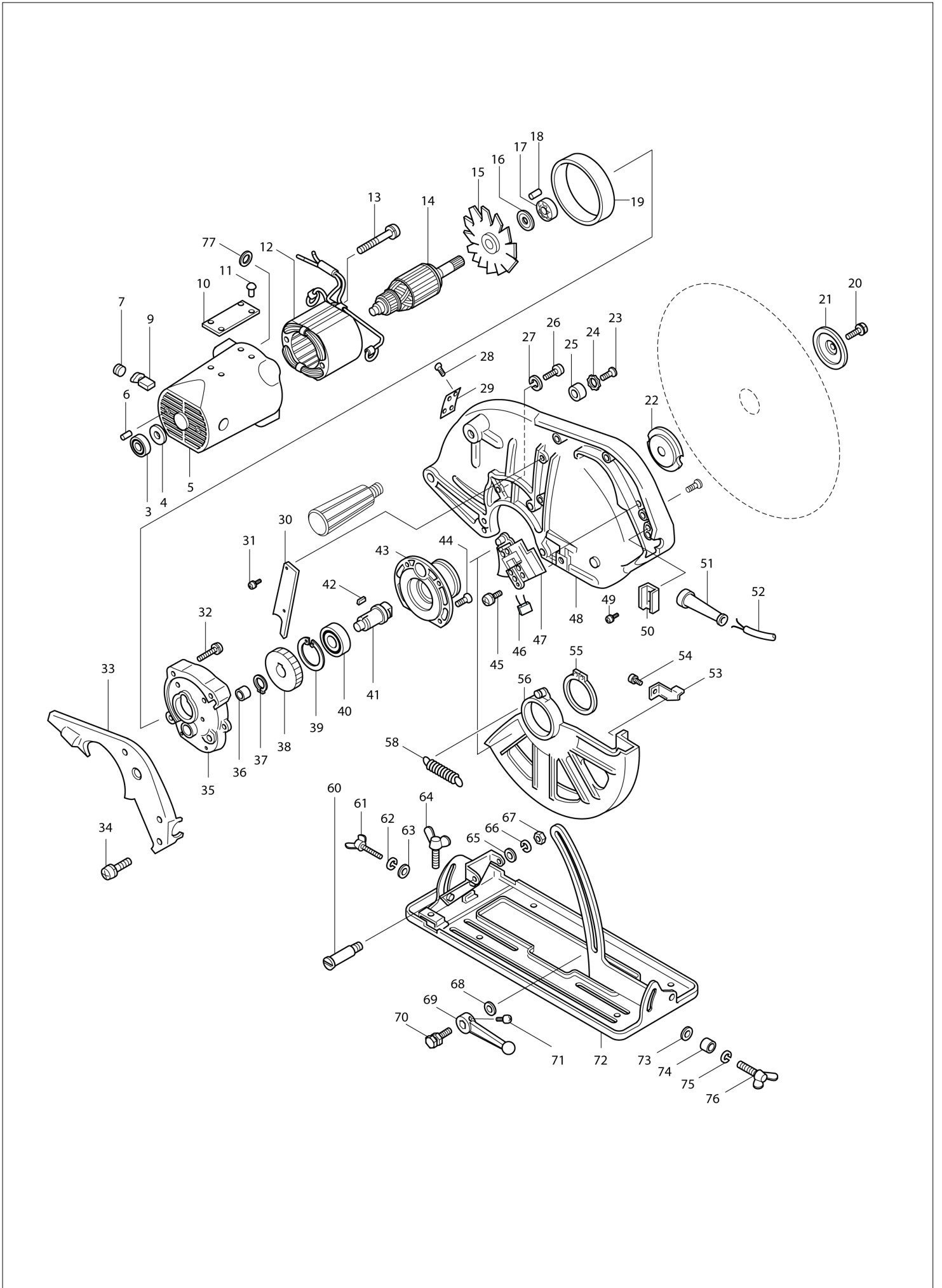
# Diagram / Parts List

**5103N**

**CIRCULAR SAW 335MM**



(VN) 5103N / CIRCULAR SAW 335MM



<b>VN</b>	<b>VIETNAM</b>
-----------	----------------

### 5103N / CIRCULAR SAW 335MM

Item	Sub	Parts No.	Parts Description	Qty	I/C	E/C No.	Close No.	Remark
003		211066-7	BALL BEARING 6200LLB	1				
004		213051-6	DUST SEAL 10	1				
005		156600-5	MOTOR HOUSING	1				
	C10	643653-8	BRUSH HOLDER 6.5-13.5	2				
	C20	913206-0	SET SCREW M5X8	2				
	D10		INC. 6					
006		263002-9	RUBBER PIN 4	1				
007		643650-4	BRUSH HOLDER CAP 6.5-13.5	2			B0305	
007-1		643650-4	BRUSH HOLDER CAP 6.5-13.5	2	O	B0305		
009-1		181044-0	CARBON BRUSH CB-153	1			85070	
009-2		B-80329	CARBON BRUSH SET CB-153A	1	<	85070		
010		815306-1	NAME PLATE 5103N	1				
011-1		953106-2	RIVET 0-5	2				
012C		524558-0	FIELD ASS'Y 220V	1				220V
	C10	654020-2	RING TERMINAL	1				
	C20	654502-4	CONNECTOR P-2	1				
013-1		911290-9	PAN HEAD SCREW M5X65	2				
014B		510007-3	ARMATURE ASS'Y 220V	1				220V
	D10		INC. 3,4,15-17					
015		241064-7	FAN 106	1				
016		213202-1	DUST SEAL 15	1				
017		211206-7	BALL BEARING 6202LLB	1				
018		263005-3	RUBBER PIN 6	1				
019		343119-5	BAFFLE PLATE	1				
020		251644-1	HEX. FLANGE HEAD BOLT M8X20	1				
020-1		265408-7	HEX. SOCKET HEAD BOLT M8X20	1	X	52019		
021		224053-7	OUTER FLANGE 65	1				
022		224181-8	INNER FLANGE 65	1				
023-1		251256-0	+ COUNTERSUNK HEAD SCREW M8X2	1				
024		943202-4	TOOTHED LOCK WASHER 8	1			D4781	
025		262027-0	RUBBER RING 8	1				
026		251210-4	+ PAN HEAD SCREW M5X25	4				
026-1		265066-9	+ PAN HEAD SCREW M5X25	4	O	54889		
027		942101-7	SPRING WASHER 5	4		54889		
028		911101-8	PAN HEAD SCREW M4X6	2		48679		
029-1		341543-6	PLATE	1		48679		
030		341545-2	LEAD COVER	1				
031		911106-8	PAN HEAD SCREW M4X8	2				
032		911256-9	PAN HEAD SCREW M5X35	4				
033		315154-3	HANDLE COVER F/LOCK	1				
034		911151-3	PAN HEAD SCREW M4X28	4				
035		157030-3	GEAR HOUSING	1				
	D10		INC. 18					
036		212101-4	NEEDLE BEARING 1210	1				
037		961060-6	RETAINING RING S-20	1				
038		221159-2	HELICAL GEAR 69	1				
039		962203-3	RETAINING RING R-47	1				
040		211306-3	BALL BEARING 6204LLB	1				
041		325183-8	SPINDLE	1				
042		254203-0	KEY 4	1				
043		312468-1	BEARING BOX	1				
044		912116-8	COUNTERSUNK HEAD SCREW M4X12	4				
045		911106-8	PAN HEAD SCREW M4X8	2				
047-1		651016-4	SWITCH HPAHR2-2	1	O	55297		
048-1		316148-1	BLADE CASE	1				
048-2		316669-3	BLADE CASE	1	S	48679		
049-1		911133-5	PAN HEAD SCREW M4X18	2	X	48679		
050-1		687054-0	STRAIN RELIEF	1	X	48679		
051		682506-6	CORD GUARD 12-90	1				
052S1		691346-1	POWER SUPPLY CORD 1.25-3-5.0	1				
053		342462-9	LEVER	1				
053-1		344966-7	LEVER	1	X	62354		
054		911211-1	PAN HEAD SCREW M5X12	1				
055		961253-5	RETAINING RING S-56	1				
056-1		316149-9	SAFETY COVER	1				

Interchange  
O : Yes  
X : No  
< : the new part can be substituted for the current.  
> : the current part can be substituted for the new.  
S : Interchangeable as a set.

