



VN	VIETNAM
----	---------

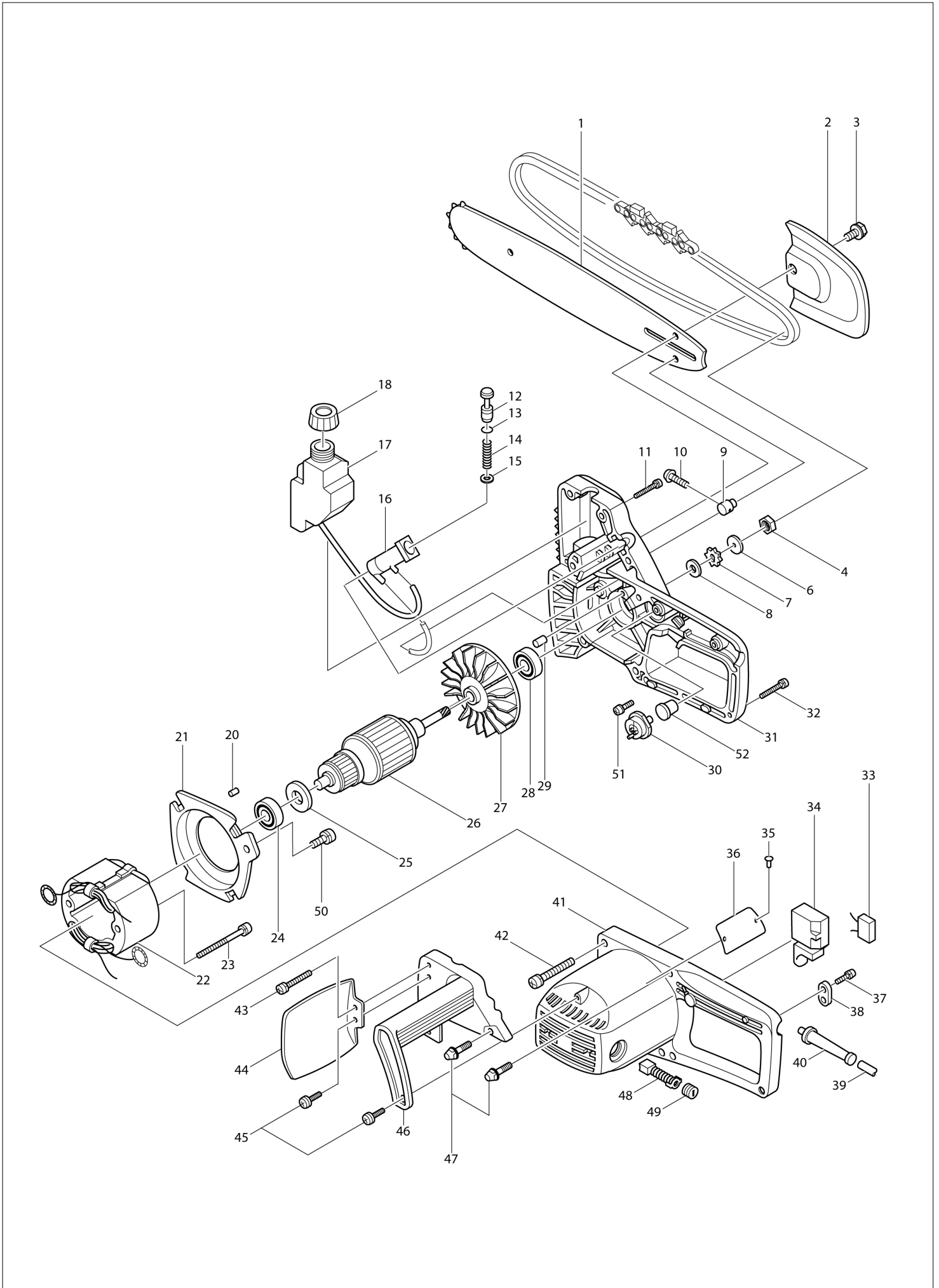
Diagram / Parts List

5012B

CHAIN SAW 300MM



(VN) 5012B / CHAIN SAW 300MM



VN	VIETNAM
-----------	----------------

5012B / CHAIN SAW 300MM

Item	Sub	Parts No.	Parts Description	Qty	I/C	E/C No.	Close No.	Remark
001		164533-0	GUIDE BAR 12	1			D1788	
001-1		164533-0	GUIDE BAR 12	1	O	D1788		
002		341561-4	CHAIN COVER	1				
003		251697-0	HEX. FLANGE HEAD BOLT M8X17	1				
004-1		252070-7	HEX. LOCK NUT M8-13	1				
006		253814-8	FLAT WASHER 8	1				
007		221514-8	SPROCKET 6	1				
008		253813-0	FLAT WASHER 12	1				
009		321260-4	ADJUST PIN	1				
010-1		251210-4	+ PAN HEAD SCREW M5X25	1				
011		911263-2	PAN HEAD SCREW M5X40	1				
012		321261-2	PLUNGER	1				
013		213003-7	O RING 6	1				
014		231294-8	COMPRESSION SPRING 6	1				
015		253811-4	FLAT WASHER 5	1				
016-1		152252-0	CASING COMPLETE	1			B7125	
	C10	216008-6	STEEL BALL 4	1			B7125	
	C20	213014-2	O RING 3	1			B7125	
016-2		152252-0	CASING COMPLETE	1	O	B7125		
	C10	216008-6	STEEL BALL 4	1		B7125		
	C21	213587-5	O RING 3	1		B7125		
	C30	326896-4	SLEEVE	1		B7125		
017-1		155811-9	OIL VESSEL COMPLETE	1				
018		242022-6	CAP	1				
020		263005-3	RUBBER PIN 6	1				
021-1		411736-0	BAFFLE PLATE	1				
022C		524583-1	FIELD ASS'Y 220V	1				
	C10	654020-2	RING TERMINAL	1				
	C20	654502-4	CONNECTOR P-2	1				
023-1		911290-9	PAN HEAD SCREW M5X65	2				
024		211068-3	BALL BEARING 6200LB	1				
025-1		681623-9	INSULATION WASHER	1				
026C		514628-3	ARMATURE ASS'Y 220V	1				
	D10		INC. 24-28					
027		241632-6	FAN 90	1				
028		211206-7	BALL BEARING 6202LLB	1				
029		263005-3	RUBBER PIN 6	1				
030A		652519-1	OVERLOAD PROTECTOR 200V-240V	1				
031-2		156709-3	MOTOR HOUSING COVER	1				
	C10	817653-6	CAUTION LABEL	1				
	C20	817675-6	CAUTION LABEL	1				
	D10		INC. 29					
032		911153-9	PAN HEAD SCREW M4X28	4				
034-1		651203-5	SWITCH SGE115CDY	1				
035		953106-2	RIVET 0-5	2			B6268	
036		815477-4	NAME PLATE 5012B	1			B6268	
036-1		853E03-1	5012B NAME PLATE	1	<	B6268		
037-1		911133-5	PAN HEAD SCREW M4X18	2				
038		687000-3	STRAIN RELIEF	1				
039A1		691227-9	POWER SUPPLY CORD 1.25-2-5.0	1				
040		682504-0	CORD GUARD 10-85	1				
041-2		156433-8	MOTOR HOUSING	1				
	C10	643653-8	BRUSH HOLDER 6.5-13.5	2				
	C20	913206-0	SET SCREW M5X8	2				
	D10		INC. 20					
042		911273-9	PAN HEAD SCREW M5X50	3				
043		911263-2	PAN HEAD SCREW M5X40	1				
044		411747-5	PROTECTOR	1				
045		911233-1	PAN HEAD SCREW M5X20	2				
046		411737-8	SIDE GRIP	1				
047		911253-5	PAN HEAD SCREW M5X30	3				
048		B-80117	CARBON BRUSH SET CB-153A	1			85070	
048-1		B-80329	CARBON BRUSH SET CB-153A	1	<	85070		
049		643650-4	BRUSH HOLDER CAP 6.5-13.5	2			B0305	
049-1		643650-4	BRUSH HOLDER CAP 6.5-13.5	2	O	B0305		

Interchange
O : Yes
X : No
< : the new part can be substituted for the current.
> : the current part can be substituted for the new.
S : Interchangeable as a set.

