



VN	VIETNAM
----	---------

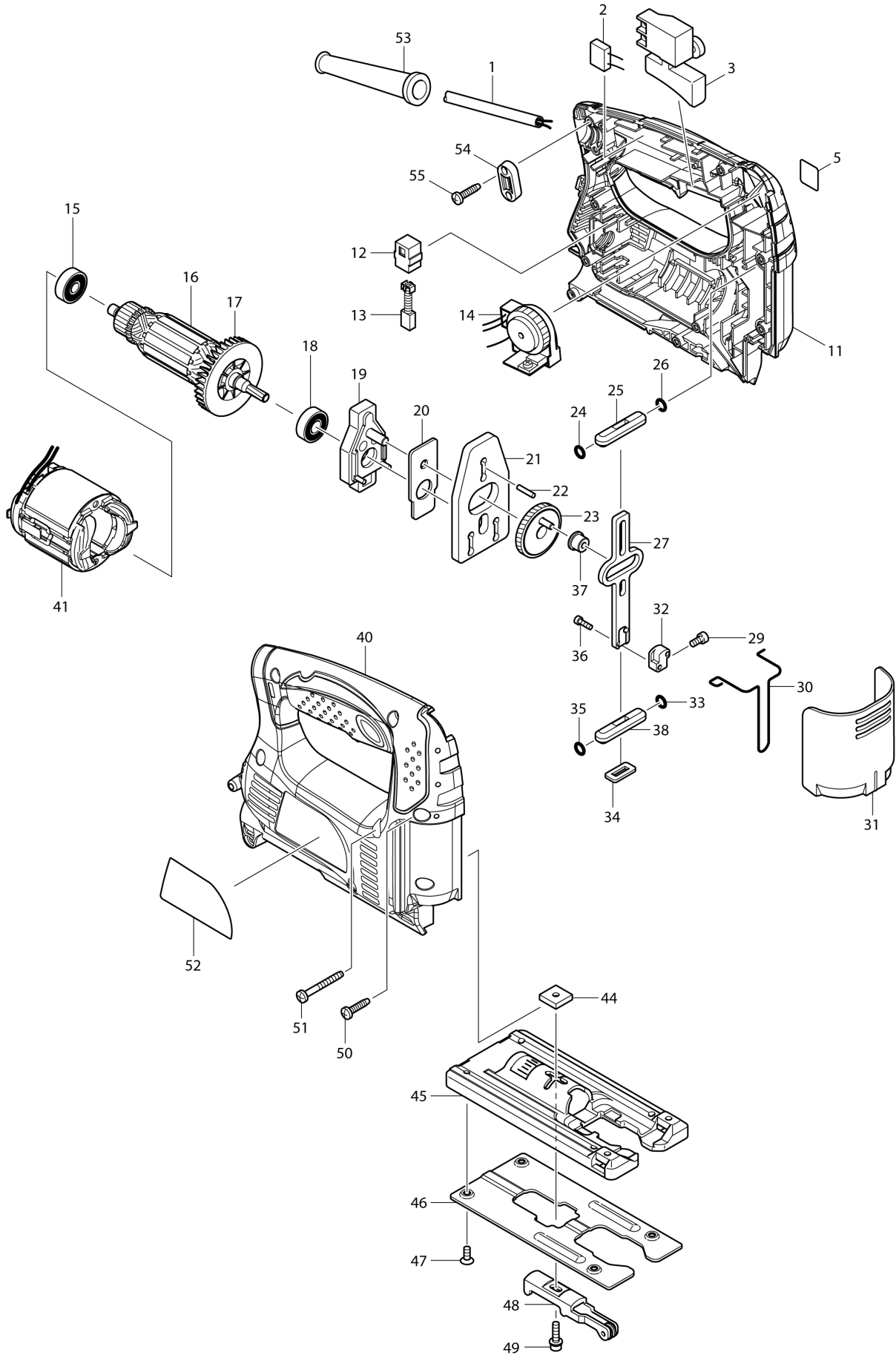
Diagram / Parts List

4327

JIG SAW



(VN) 4327 / JIG SAW



VN	VIETNAM
----	---------

4327 / JIG SAW

Item	Sub	Parts No.	Parts Description	Qty	I/C	E/C No.	Close No.	Remark
001		691055-2	POWER SUPPLY CORD 0.75-2-2.0	1				
003		651286-5	SWITCH SGEL206C-5	1				
011		188342-3	HOUSING SET	1				
	C10	263002-9	RUBBER PIN 4	2				
	D10		INC. 40					
012		643562-1	BRUSH HOLDER 5X8	2			85259	
012-1		643552-4	BRUSH HOLDER 5-8	2	O	85259		
013		A-81206	CARBON BRUSH CB-64A	1			83185	
013-1		B-80195	CARBON BRUSH CB-64A	1	O	83185	85070	
013-2		B-80254	CARBON BRUSH SET CB-64A	1	<	85070		
014		631777-2	CONTROLLER	1			A7092	
014-1		620411-9	CONTROLLER	1	O	A7092		
015		210025-8	BALL BEARING 627LLB	1				
016		515718-5	ARMATURE ASS'Y 220V	1				
	D10		INC. 15,17,18					
017		241881-5	FAN 52	1				
018		210005-4	BALL BEARING 608DDW	1				
019		152577-2	BEARING CASE COMPLETE	1				
020		344615-6	THRUST PLATE	1				
021		344614-8	BALANCE PLATE	1				
022		256254-9	PIN 3	1				
023		153254-9	GEAR COMPLETE	1				
024		213038-8	O RING 5	1				
025		313082-6	SLIDER GUIDE	1				
026		213038-8	O RING 5	1				
027		344613-0	SLIDER	1				
029		922107-1	HEX. SOCKET HEAD BOLT M4X8	1				
030		323748-0	SAFETY WIRE	1				
031		416476-5	DUST COVER	1				
032		313140-8	BLADE CLAMP	1				
033		213038-8	O RING 5	1				
034		423307-1	POLY URETANE SPONGE SEAL	1				
035		213038-8	O RING 5	1				
036		266177-3	HEX. SOCKET HEAD BOLT M3X10	2				
037		257683-9	COLLAR SLEEVE	1				
038		313082-6	SLIDER GUIDE	1				
040		188342-3	HOUSING SET	1				
	C10	263002-9	RUBBER PIN 4	2				
	D10		INC. 11					
041		633658-6	FIELD 220-240V	1				
044		343540-8	HOLDER	1				
045		163397-9	BASE	1				
048		158393-0	RETAINER COMPLETE	1				
049		922128-3	HEX. SOCKET HEAD BOLT M4X16	1				
050		265995-6	TAPPING SCREW 4X18	9				
051		266053-1	TAPPING SCREW 4X35	1				
052		863950-8	4327 NAME PLATE	1				
053		682569-2	CORD GUARD 8-85	1				
054		687124-5	STRAIN RELIEF	1				
055		265995-6	TAPPING SCREW 4X18	2				
A01		792538-6	JIG SAW BLADE B-10	1			010 96	
A01-1		A-85628	JIGSAW BLADE NO.B10	1	<	010 96		AEPD-010/96
A02		783201-2	HEX. WRENCH 3	1				

Interchange
 O : Yes
 X : No
 < : the new part can be substituted for the current.
 > : the current part can be substituted for the new.
 S : Interchangeable as a set.