



VN	VIETNAM
----	---------

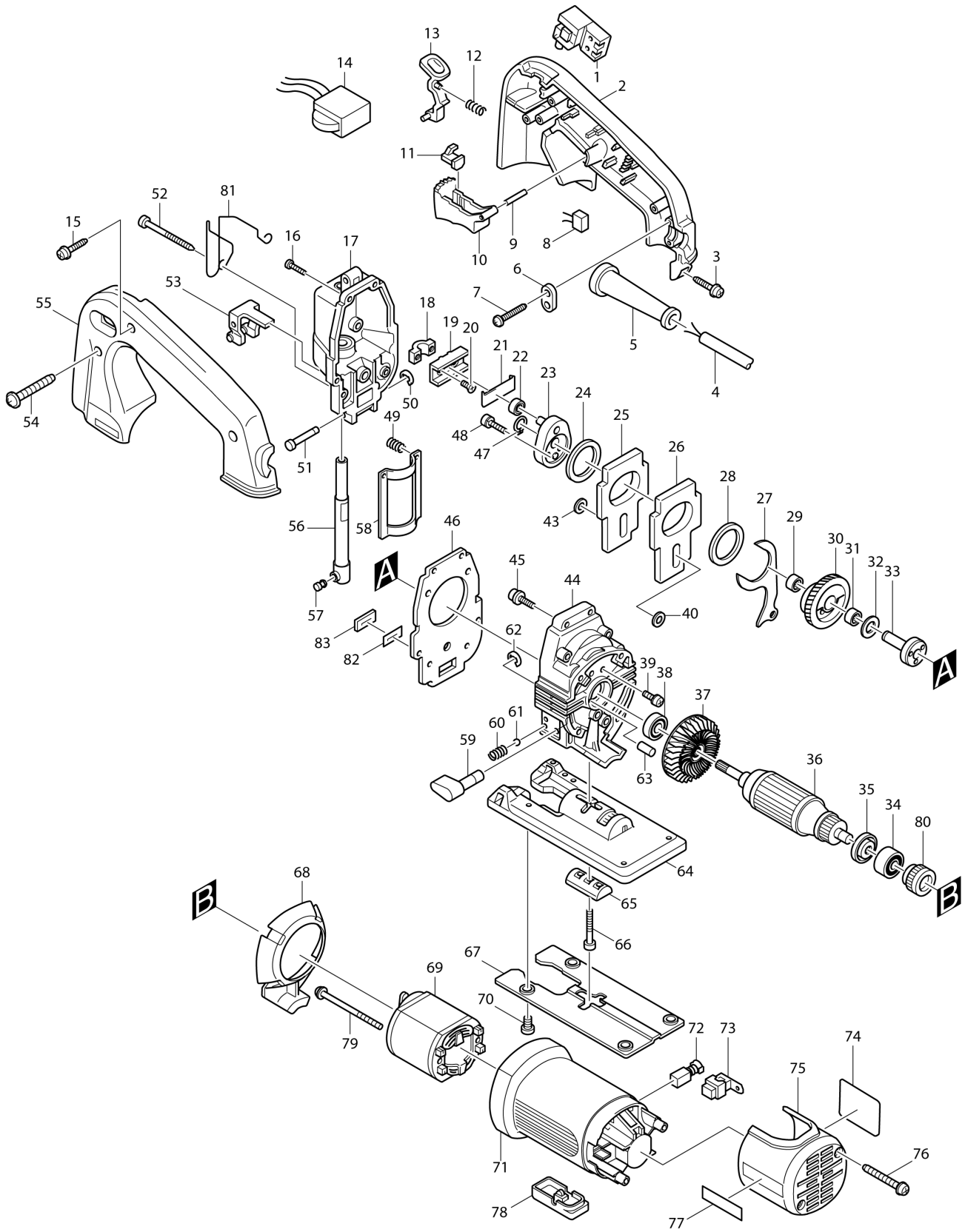
Diagram / Parts List

4304

JIG SAW



(VN) 4304 / JIG SAW



VN	VIETNAM
-----------	----------------

4304 / JIG SAW

Item	Sub	Parts No.	Parts Description	Qty	I/C	E/C No.	Close No.	Remark
001		651922-3	SWITCH TG71B	1				
002		182680-5	HANDLE SET	1				
	D10		INC. 55					
003A		266120-2	TAPPING SCREW FLANGE PF4X20	1				
003A1		266045-0	TAPPING SCREW 4X20	1	O	57197		
004K		691015-4	POWER SUPPLY CORD 0.75-2-2.5	1				
005A		682502-4	CORD GUARD 8-85	1				
006		687053-2	STRAIN RELIEF	1				
007A		266121-0	TAPPING SCREW FLANGE PF 4X18	2				
007A1		265995-6	TAPPING SCREW 4X18	2	O	57197		
009		256221-4	PIN 3	1				
010		415158-6	SWITCH LEVER	1				
011		415159-4	SPACER	1				
012		233101-1	COMPRESSION SPRING 4	1				
013		415534-4	LOCK-ON LEVER	1				
014C		631202-3	CONTROLLER 200-240V	1			73243	
014C1		631678-4	CONTROLLER	1	O	73243		
015A		266120-2	TAPPING SCREW FLANGE PF4X20	2				
015A1		266045-0	TAPPING SCREW 4X20	2	O	57197		
016		266034-5	TAPPING SCREW CT 4X16	2				
017		159716-5	GEAR HOUSING COVER COMPLETE	1				
	C06	214005-6	PLANE BEARING 8	1				
	C11	214061-6	PLANE BEARING 10	1				
	C16	262064-4	SPONGE RING	1				
	C21	267124-7	FLAT WASHER	1				
	C26	267125-5	FLAT WASHER 9	1				
	C31	423263-5	SPONGE SHEET 11-20	1				
	C36	951057-3	SPRING PIN 3-12	2				
017-1		151596-5	GEAR HOUSING COVER COMPLETE	1	S	57070	64798	
	C10	214005-6	PLANE BEARING 8	1			64798	
	C20	951057-3	SPRING PIN 3-12	2			64798	
017-2		153389-6	GEAR HOUSING COVER COMPLETE	1	<	64798		
	C10	214005-6	PLANE BEARING 8	1			64798	
	C20	951057-3	SPRING PIN 3-12	2			64798	
	C30	253310-6	THIN WASHER 10	1			64798	
	C40	421821-1	DUST SEAL 8	1			64798	
018		316608-3	HOLDER	1				
019		313069-8	SLIDER	1				
019-1		310028-3	SLIDER	1	O	51125		
020		265035-0	COUNTERSUNK HEAD SCREW M4X10	2				
021		344232-2	THRUST PLATE	1				
022		212010-7	NEEDLE BEARING 607	1				
023		152454-8	CRANK COMPLETE	1				
	C10	256033-5	PIN 6	1				
024		253792-2	FLAT WASHER 26	1				
025		344133-4	BALANCE PLATE	1				
025-1		344330-2	BALANCE PLATE	1	O	51125		
026		344133-4	BALANCE PLATE	1				
026-1		344330-2	BALANCE PLATE	1	O	51125		
027		344134-2	PUSH PLATE	1				
028		253792-2	FLAT WASHER 26	1				
029-1		212043-2	NEEDLE BEARING 810	1				
030		226428-6	HELICAL GEAR 51	1				
031-1		212043-2	NEEDLE BEARING 810	1				
032		253139-0	FLAT WASHER 8	1				
033		322691-0	GEAR SHAFT	1				
034		211021-9	BALL BEARING 607LLB	1				
035		681636-0	INSULATION WASHER	1				
036C		517098-5	ARMATURE ASS'Y 220V	1				
	D10		INC. 34,35,37,38					
037		241875-0	FAN 54	1				
038		211031-6	BALL BEARING 608LLB	1				
039		911111-5	PAN HEAD SCREW M4X10 WITH W	3				
040		253715-0	FLAT WASHER 6	1				
043		253715-0	FLAT WASHER 6	1				

Interchange
O : Yes
X : No
< : the new part can be substituted for the current.
> : the current part can be substituted for the new.
S : Interchangeable as a set.

VN	VIETNAM
-----------	----------------

4304 / JIG SAW

Item	Sub	Parts No.	Parts Description	Qty	I/C	E/C No.	Close No.	Remark
044		159715-7	GEAR HOUSING COMPLETE	1				
	D10		INC. 63					
044-1		151594-9	GEAR HOUSING COMPLETE	1	X	57070		
	D10		INC. 63					
045A		266120-2	TAPPING SCREW FLANGE PF4X20	2				
045A1		266045-0	TAPPING SCREW 4X20	2	O	57197		
046		442119-3	PACKING	1				
046-1		442123-2	PACKING	1	X	57070		
047		961004-6	RETAINING RING S-8	1				
048-1		922126-7	HEX. SOCKET HEAD BOLT M4X16	2				
049		231314-8	COMPRESSION SPRING 4	2				
050		961017-7	STOP RING E-3	1				
051		256693-3	PIN 4	1				
052A		266115-5	TAPPING SCREW FLANGE PF 4X55	2				
052A1		266147-2	TAPPING SCREW 4X55	2	O	57197		
053		151426-0	RETAINER COMPLETE	1				
	C10	256667-4	PIN 4	1				
	C20	322709-7	ROLLER	1				
	C30	961017-7	STOP RING E-3	1				
053-1		152947-5	RETAINER COMPLETE	1	X	63333		
	C10	268074-9	PIN 4	1				
	C20	152950-6	ROLLER COMPLETE	1				
	C30	961017-7	STOP RING E-3	1				
054A		266117-1	TAPPING SCREW FLANGE PF 4X35	1				
054A1		266053-1	TAPPING SCREW 4X35	1	O	57197		
055		182680-5	HANDLE SET	1				
	D10		INC. 2					
056		165089-6	ROD	1				
057		265894-2	H.S.SET SCREW(CUP POINT) M6X8	1				
058		344137-6	SLIDE PLATE	1				
059		272231-3	LEVER 17	1				
060		231314-8	COMPRESSION SPRING 4	1				
061		216008-6	STEEL BALL 4	1				
062		961018-5	STOP RING E-5	1				
063		263002-9	RUBBER PIN 4	1				
064		316605-9	BASE	1				
064-1		316883-1	BASE	1	S	51525		
065		331435-7	CLAMP PLATE	1				
066		922146-1	HEX. SOCKET HEAD BOLT M4X25	1				
067		344136-8	BASE PLATE	1				
067-1		344443-9	BASE PLATE	1	S	51525		
068		415535-2	BAFFLE PLATE	1				
069C		633288-3	FIELD 220V	1				
070		266055-7	HEX. SOCKET HEAD BOLT M5X8	4				
071		415528-9	MOTOR HOUSING	1				
071-1		415748-5	MOTOR HOUSING	1	S	48603		
072A		191962-4	CARBON BRUSH CB-419	1			85070	
072A1		B-80422	CARBON BRUSH SET CB-419A	1	<	85070		
073		643923-5	BRUSH HOLDER	2				
074		857555-4	NAME PLATE 4304	1				
075		415532-8	REAR COVER	1				
076A		266118-9	TAPPING SCREW FLANGE PF 4X30	2				
076A1		266050-7	TAPPING SCREW 4X30	2	O	57197		
078		415538-6	CAP	1				
079A		266114-7	TAPPING SCREW FLANGE PF 4X60	2				
079A1		266052-3	TAPPING SCREW 4X60	2	O	57197		
080		421494-0	RUBBER RING 19	1				
081		322893-8	SAFETY WIRE	1				
082		344784-3	SEAL PLATE	1				
083		443106-5	FELT 10-20	1				
A01		783201-2	HEX. WRENCH 3	1				
A02		410048-8	WRENCH HOLDER 3.4	1				
A03		415524-7	ANTI-SPLINTERING DEVICE	1				
A04		415525-5	PLASTIC COVER	1				
A04-1		415887-1	PROTECTOR	1	S	51525		

Interchange
O : Yes
X : No
< : the new part can be substituted for the current.
> : the current part can be substituted for the new.
S : Interchangeable as a set.

