



VN	VIETNAM
----	---------

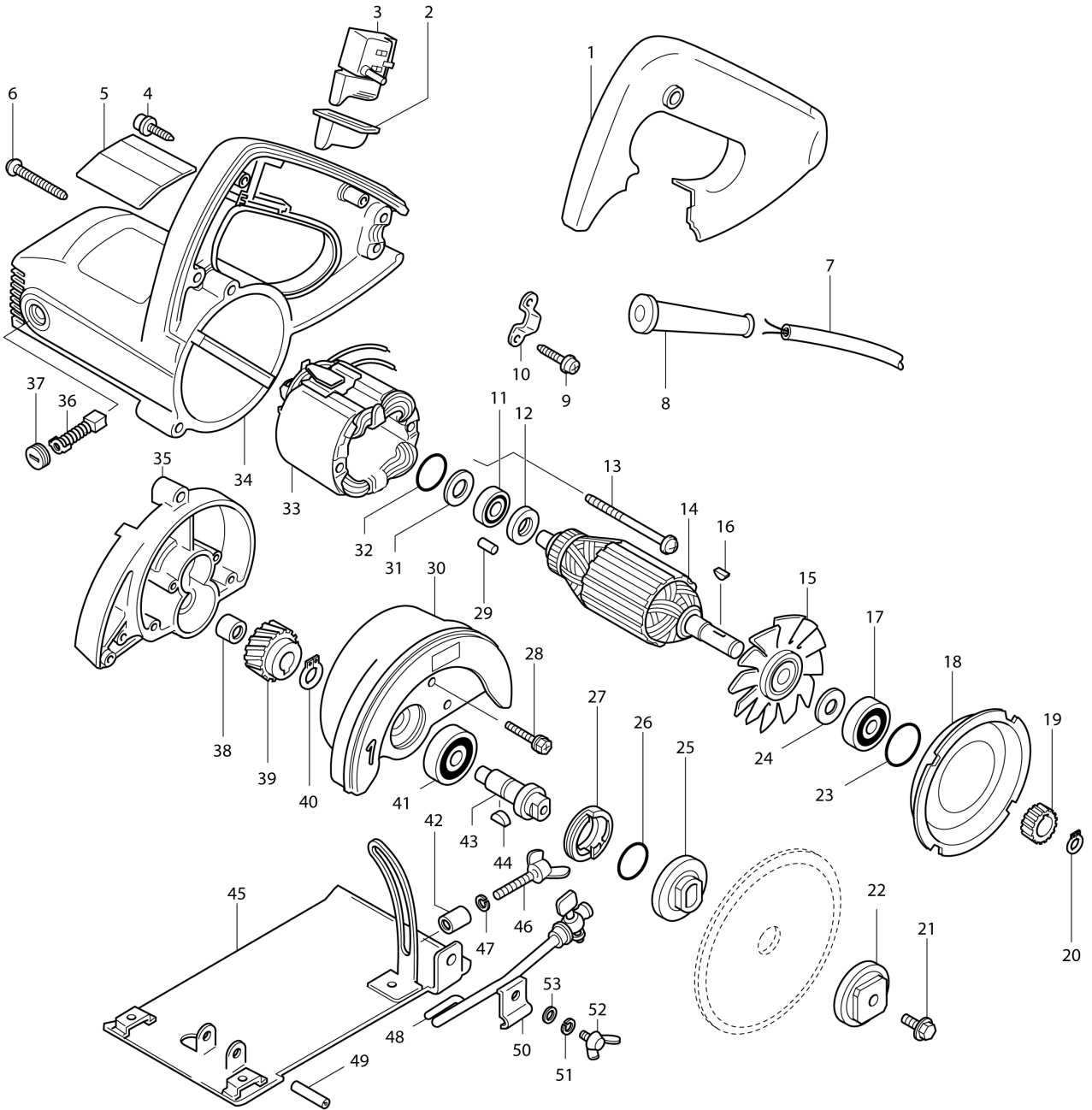
Diagram / Parts List

4100NH

CUTTER 110MM



(VN) 4100NH / CUTTER 110MM



VN	VIETNAM
-----------	----------------

4100NH / CUTTER 110MM

Item	Sub	Parts No.	Parts Description	Qty	I/C	E/C No.	Close No.	Remark
001		415600-7	HANDLE COVER	1				
002		421329-5	DUST COVER	1				
003		651204-3	SWITCH SGEL115CDY	1				
004		266045-0	TAPPING SCREW 4X20	4				
005		859871-0	NAME PLATE 4100NH	1		A2270		
006		911263-2	PAN HEAD SCREW M5X40	3				
007K		691015-4	POWER SUPPLY CORD 0.75-2-2.5	1				
008A		682504-0	CORD GUARD 10-85	1				
009		265995-6	TAPPING SCREW 4X18	2				
010B		687053-2	STRAIN RELIEF	1			A7453	
010B1		687140-7	STRAIN RELIEF	1	O	A7453		
011		211033-2	BALL BEARING 608LB	1				
012		681625-5	INSULATION WASHER	1				
013		266029-8	TAPPING SCREW 5X65	2			A6873	
013-1		266352-1	TAPPING SCREW 5X65	2	O	A6873		
014		516218-8	ARMATURE ASS'Y 220V	1				
	D10		INC. 11,12,15,17,24					
015-1		240007-6	FAN 68	1				
016		254002-0	WOODRUFF KEY 3	1				
017-1		210053-3	BALL BEARING 629LLB	1			76219	
017-2		210042-8	BALL BEARING 629LLB	1	O	76219		
018		343289-0	BAFFLE PLATE	1				
019		226440-6	HELICAL GEAR 19	1			80558	
019-1		226683-0	HELICAL GEAR 17	1	S	80558		
020		961004-6	RETAINING RING S-8	1				
021		265226-3	HEX. FLANGE HEAD BOLT M6X17	1				
022		224081-2	OUTER FLANGE 36	1				
023		213407-3	O RING 26	1				
024		253741-9	FLAT WASHER 9	1				
025		224080-4	INNER FLANGE 36	1				
026		213255-0	O RING 18	1				
027		285815-8	BEARING RETAINER 19-33	1				
028		925146-0	+ HEX. BOLT M4X25	4				
029		263002-9	RUBBER PIN 4	1				
030-1		150647-1	BLADE CASE COMPLETE	1				
	C10	817667-5	CAUTION LABEL	1				
031		253192-6	FLAT WASHER 14	1				
032		213262-3	O RING 18	1				
033-1		594343-5	FIELD ASS'Y 220V	1				
	C10	654020-2	RING TERMINAL	2				
	C20	654501-6	CONNECTOR P-1.25	2				
034		159767-8	MOTOR HOUSING	1				
	C10	817846-5	CAUTION LABEL	1			96088	
	C20	643708-9	BRUSH HOLDER 5-11	2				
	D10		INC. 29					
035-1		159911-7	GEAR HOUSING COMPLETE	1				
	D10		INC. 23					
036		191963-2	CARBON BRUSH CB-303	1			85070	
036-1		B-80379	CARBON BRUSH SET CB-303A	1	<	85070		
037		643750-0	BRUSH HOLDER CAP 7-11	2				
038		212004-2	NEEDLE BEARING 810	1				
039		226441-4	HELICAL GEAR 42	1			80558	
039-1		226684-8	HELICAL GEAR 41	1	S	80558		
040		961052-5	RETAINING RING S-12	1				
041		211129-9	BALL BEARING 6201DDW	1				
042		257507-9	SLEEVE 7	1				
043		321197-5	SPINDLE	1				
044		254001-2	WOODRUFF KEY 4	1				
045		164195-4	BASE	1				
046		924341-9	WING BOLT M6X28	1				
047		942151-2	SPRING WASHER 6	1			C3118	
047-1		253428-3	SPRING WASHER 6	1	O	C3118	D1189	
048		164405-9	PIPE	1				
049		951219-3	SPRING PIN 6-32	1				
050		342291-0	PIPE HOLDER	1				

Interchange
O : Yes
X : No
< : the new part can be substituted for the current.
> : the current part can be substituted for the new.
S : Interchangeable as a set.

