



VN	VIETNAM
----	---------

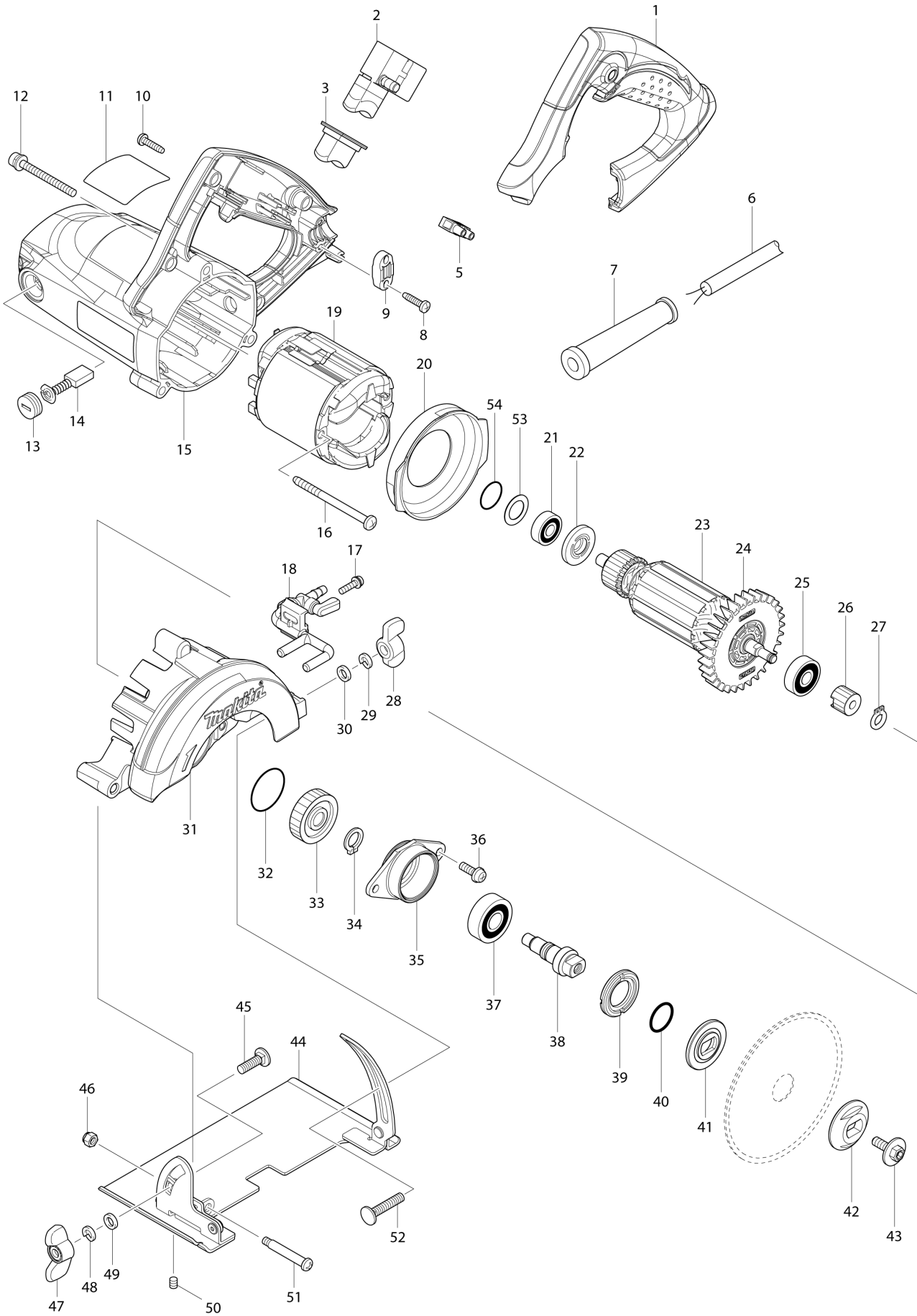
# Diagram / Parts List

**4100NH2**

**110MM CUTTER**



# (VN) 4100NH2 / 110MM CUTTER



<b>VN</b>	<b>VIETNAM</b>
-----------	----------------

### 4100NH2 / 110MM CUTTER

Item	Sub	Parts No.	Parts Description	Qty	I/C	E/C No.	Close No.	Remark
001		450838-7	HANDLE COVER	1				
002		651281-5	SWITCH SGEL115CDY-5	1				
003-2		421812-2	DUST COVER	1				
006-1		691015-4	POWER SUPPLY CORD 0.75-2-2.5	1				
007		682574-9	CORD GUARD 10-90	1				
008		265995-6	TAPPING SCREW 4X18	2				
009		687140-7	STRAIN RELIEF	1				
010		265995-6	TAPPING SCREW 4X18	4				
011		897639-6	4100NH2 NAME PLATE	1				
012		911263-2	PAN HEAD SCREW M5X40	3				
013		643750-0	BRUSH HOLDER CAP 7-11	2				
014		B-80379	CARBON BRUSH SET CB-303A	1				
015		141726-6	MOTOR HOUSING COMPLETE	1				
	C10	643708-9	BRUSH HOLDER 5-11	2				
016		266038-7	TAPPING SCREW 5X70	2				
017		911128-8	P.H.SCREW M4X16 WITH WR	1				
018		158835-4	WATER SUPPLY PIPE COMPLETE	1			A3949	
018-1		196919-0	WATER SUPPLY PIPE SET	1	X	A3949		
	C10	158835-4	WATER SUPPLY PIPE COMPLETE	1		A3949		
	D10		INC. 017,A03-A05			A3949		
019		594583-5	FIELD ASSY 220V	1			C0140	
	C10	654020-2	RING TERMINAL	2			C0140	
	C20	654501-6	CONNECTOR P-1.25	2			C0140	
019-1		599095-3	FIELD ASSY 220V	1	<	C0140		
	C10	654020-2	RING TERMINAL	2		C0140		
	C20	654501-6	CONNECTOR P-1.25	2		C0140		
020		450839-5	BUFFLE PLATE	1				
021		211395-8	BALL BEARING 608LLU	1				
022		681644-1	INSULATION WASHER	1				
023		510221-1	ARMATURE ASS'Y 220V	1				
	D10		INC. 21,22,24,25					
024		240109-8	FAN 70	1				
025		211092-6	BALL BEARING 629DDW	1				
026		226695-3	HELICAL GEAR 17	1				
027		961002-0	RETAINING RING S-6	1				
028		252649-4	THUMB NUT M6	1				
029		942151-2	SPRING WASHER 6	1			C3118	
029-1		253428-3	SPRING WASHER 6	1	O	C3118	D1189	
030		941151-9	FLAT WASHER 6	1				
031-1		142541-1	BLADE CASE COMPLETE	1				
	C10	212046-6	NEEDLE BEARING 810	1				
	C20	213445-5	O-RING 26	1				
032		213444-7	O RING 30	1				
033		226696-1	HELICAL GEAR 44	1				
034		961052-5	RETAINING RING S-12	1				
035-1		319044-2	BEARING BOX	1				
036		911223-4	PAN HEAD SCREW M5X16	2				
037		211129-9	BALL BEARING 6201DDW	1				
038		325603-2	SPINDLE	1				
039-1		285858-0	BEARING RETAINER 19-33	1				
040		213279-6	O RING 18	1				
041		224423-0	INNER FLANGE 36	1				
042		224424-8	OUTER FLANGE 36	1				
043		266510-9	HEX. SOCKET HEX. BOLT M6X18	1				
044		165548-0	BASE	1				
045		251919-8	CAP SQUARE NECK BOLT M6X20	1			DB942	
045-1		265939-6	FLAT HEAD SQ. NECK BOLT M6X14	1	O	DB942		
046		252103-8	HEX. LOCK NUT M5-8	1				
047		252649-4	THUMB NUT M6	1				
048		942151-2	SPRING WASHER 6	1			C3118	
048-1		253428-3	SPRING WASHER 6	1	O	C3118	D1189	
049		941151-9	FLAT WASHER 6	1				
050		266264-8	H.S.SET SCREW(FLAT POINT)M5X6	1				
051		266515-9	+ PAN HEAD SCREW M5	1				
052		251920-3	CAP SQUARE NECK BOLT M6X30	1				

Interchange  
O : Yes  
X : No  
< : the new part can be substituted for the current.  
> : the current part can be substituted for the new.  
S : Interchangeable as a set.

