



|    |         |
|----|---------|
| VN | VIETNAM |
|----|---------|

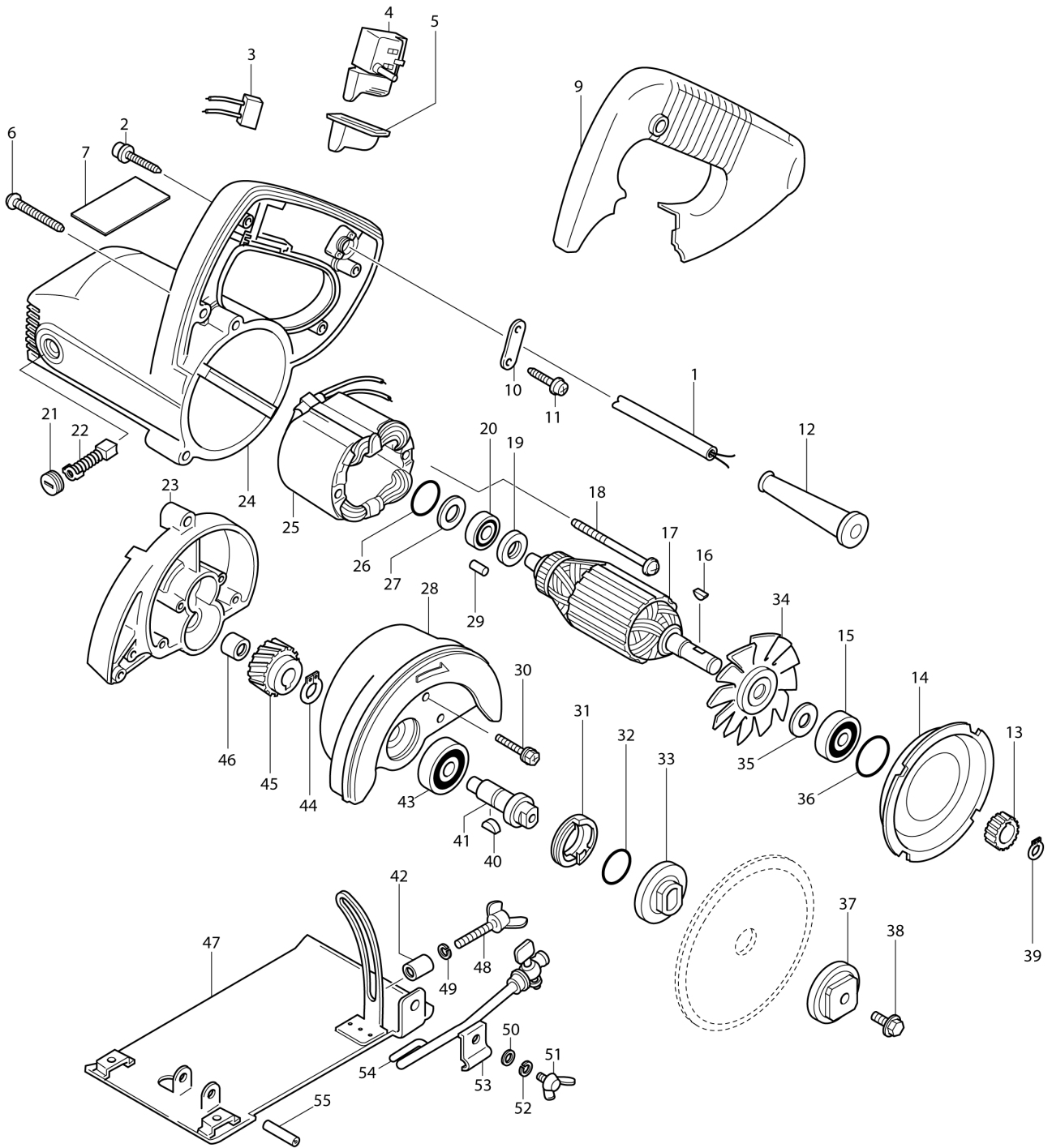
# Diagram / Parts List

**4100NB**

**CUTTER 110MM**



(VN) 4100NB / CUTTER 110MM



|           |                |
|-----------|----------------|
| <b>VN</b> | <b>VIETNAM</b> |
|-----------|----------------|

### 4100NB / CUTTER 110MM

| Item  | Sub | Parts No. | Parts Description            | Qty | I/C | E/C No. | Close No. | Remark |
|-------|-----|-----------|------------------------------|-----|-----|---------|-----------|--------|
| 001F1 |     | 691216-4  | POWER SUPPLY CORD 1.25-2-2.5 | 1   |     |         |           |        |
| 002   |     | 911148-2  | PAN HEAD SCREW M4X25         | 4   |     |         |           |        |
| 004   |     | 651204-3  | SWITCH SGEL115CDY            | 1   |     |         |           |        |
| 005-1 |     | 421329-5  | DUST COVER                   | 1   |     |         |           |        |
| 006   |     | 911263-2  | PAN HEAD SCREW M5X40         | 3   |     |         |           |        |
| 007   |     | 815041-1  | NAME PLATE 4100NB            | 1   |     |         |           |        |
| 009-2 |     | 414712-3  | HANDLE COVER                 | 1   |     |         |           |        |
| 010-3 |     | 687054-0  | STRAIN RELIEF                | 1   |     |         |           |        |
| 011-1 |     | 911133-5  | PAN HEAD SCREW M4X18         | 2   |     |         |           |        |
| 012   |     | 682504-0  | CORD GUARD 10-85             | 1   |     |         |           |        |
| 013-1 |     | 221776-8  | HELICAL GEAR 19              | 1   |     |         |           |        |
| 014   |     | 343289-0  | BAFFLE PLATE                 | 1   |     |         |           |        |
| 015-2 |     | 211056-0  | BALL BEARING 629LLB          | 1   |     |         | 75955     |        |
| 015-3 |     | 210042-8  | BALL BEARING 629LLB          | 1   | O   | 75955   |           |        |
| 016   |     | 254002-0  | WOODRUFF KEY 3               | 1   |     |         |           |        |
| 017C2 |     | 516088-5  | ARMATURE ASS'Y 220V          | 1   |     |         |           | 220V   |
|       | D10 |           | INC. 15,19,20,35             |     |     |         |           |        |
| 018-1 |     | 911285-2  | PAN HEAD SCREW M5X60         | 2   |     |         |           |        |
| 019-1 |     | 681613-2  | INSULATION WASHER            | 1   |     |         |           |        |
| 020-1 |     | 211033-2  | BALL BEARING 608LB           | 1   |     |         |           |        |
| 021-1 |     | 643750-0  | BRUSH HOLDER CAP 7-11        | 2   |     |         | B4206     |        |
| 021-2 |     | 643515-0  | HOLDER CAP 7-11              | 2   | O   | B4206   |           |        |
| 022-3 |     | 191941-2  | CARBON BRUSH CB-251          | 1   |     |         | 79461     |        |
| 022-4 |     | 194547-5  | CARBON BRUSH CB-253          | 1   | <   | 79461   | 85070     |        |
| 022-5 |     | B-80363   | CARBON BRUSH SET CB-251A     | 1   | <   | 85070   |           |        |
| 023-2 |     | 159218-1  | GEAR HOUSING                 | 1   |     |         |           |        |
|       | D10 |           | INC. 36                      |     |     |         |           |        |
| 023-3 |     | 159771-7  | GEAR HOUSING                 | 1   | O   | 50806   |           |        |
|       | D10 |           | INC. 36                      |     |     |         |           |        |
| 024-4 |     | 159183-4  | MOTOR HOUSING                | 1   |     |         | 96088     |        |
|       | C10 | 643751-8  | BRUSH HOLDER                 | 2   |     |         | 96088     |        |
|       | C20 | 817846-5  | CAUTION LABEL                | 1   |     |         | 96088     |        |
|       | D10 |           | INC. 29                      |     |     |         | 96088     |        |
| 024-5 |     | 159184-2  | MOTOR HOUSING COMPLETE       | 1   | O   | 96088   |           |        |
|       | C10 | 643751-8  | BRUSH HOLDER                 | 2   |     | 96088   |           |        |
|       | D10 |           | INC. 29                      |     |     | 96088   |           |        |
| 025C2 |     | 520039-2  | FIELD ASS'Y 220V             | 1   |     |         |           | 220V   |
|       | C10 | 654020-2  | RING TERMINAL                | 2   |     |         |           |        |
|       | C20 | 654502-4  | CONNECTOR P-2                | 2   |     |         |           |        |
| 026-1 |     | 213262-3  | O RING 18                    | 1   |     |         |           |        |
| 027   |     | 253192-6  | FLAT WASHER 14               | 1   |     |         |           |        |
| 028   |     | 155410-7  | BLADE CASE COMPLETE          | 1   |     |         |           |        |
|       | C10 | 817667-5  | CAUTION LABEL                | 1   |     |         |           |        |
| 029   |     | 263002-9  | RUBBER PIN 4                 | 1   |     |         |           |        |
| 030-1 |     | 925146-0  | + HEX. BOLT M4X25            | 4   |     |         |           |        |
| 031   |     | 285815-8  | BEARING RETAINER 19-33       | 1   |     |         |           |        |
| 032   |     | 213255-0  | O RING 18                    | 1   |     |         |           |        |
| 033   |     | 224080-4  | INNER FLANGE 36              | 1   |     |         |           |        |
| 034-2 |     | 241520-7  | FAN 68                       | 1   |     |         |           |        |
| 035   |     | 253741-9  | FLAT WASHER 9                | 1   |     |         |           |        |
| 036-2 |     | 213407-3  | O RING 26                    | 1   |     |         |           |        |
| 037   |     | 224081-2  | OUTER FLANGE 36              | 1   |     |         |           |        |
| 038   |     | 265226-3  | HEX. FLANGE HEAD BOLT M6X17  | 1   |     |         |           |        |
| 038-1 |     | 266133-3  | HEX. SOCKET HEAD BOLT M6X20  | 1   |     | 51467   |           |        |
| 039   |     | 961004-6  | RETAINING RING S-8           | 1   |     |         |           |        |
| 040   |     | 254001-2  | WOODRUFF KEY 4               | 1   |     |         |           |        |
| 041   |     | 321197-5  | SPINDLE                      | 1   |     |         |           |        |
| 042   |     | 257507-9  | SLEEVE 7                     | 1   |     |         |           |        |
| 043-1 |     | 211129-9  | BALL BEARING 6201DDW         | 1   |     |         |           |        |
| 044   |     | 961052-5  | RETAINING RING S-12          | 1   |     |         |           |        |
| 045-1 |     | 221777-6  | HELICAL GEAR 41              | 1   |     |         |           |        |
| 046   |     | 212004-2  | NEEDLE BEARING 810           | 1   |     |         |           |        |
| 047   |     | 164195-4  | BASE                         | 1   |     |         |           |        |
| 048   |     | 924341-9  | WING BOLT M6X28              | 1   |     |         |           |        |
| 049   |     | 942151-2  | SPRING WASHER 6              | 1   |     |         | D1189     |        |

Interchange  
O : Yes  
X : No  
< : the new part can be substituted for the current.  
> : the current part can be substituted for the new.  
S : Interchangeable as a set.

