



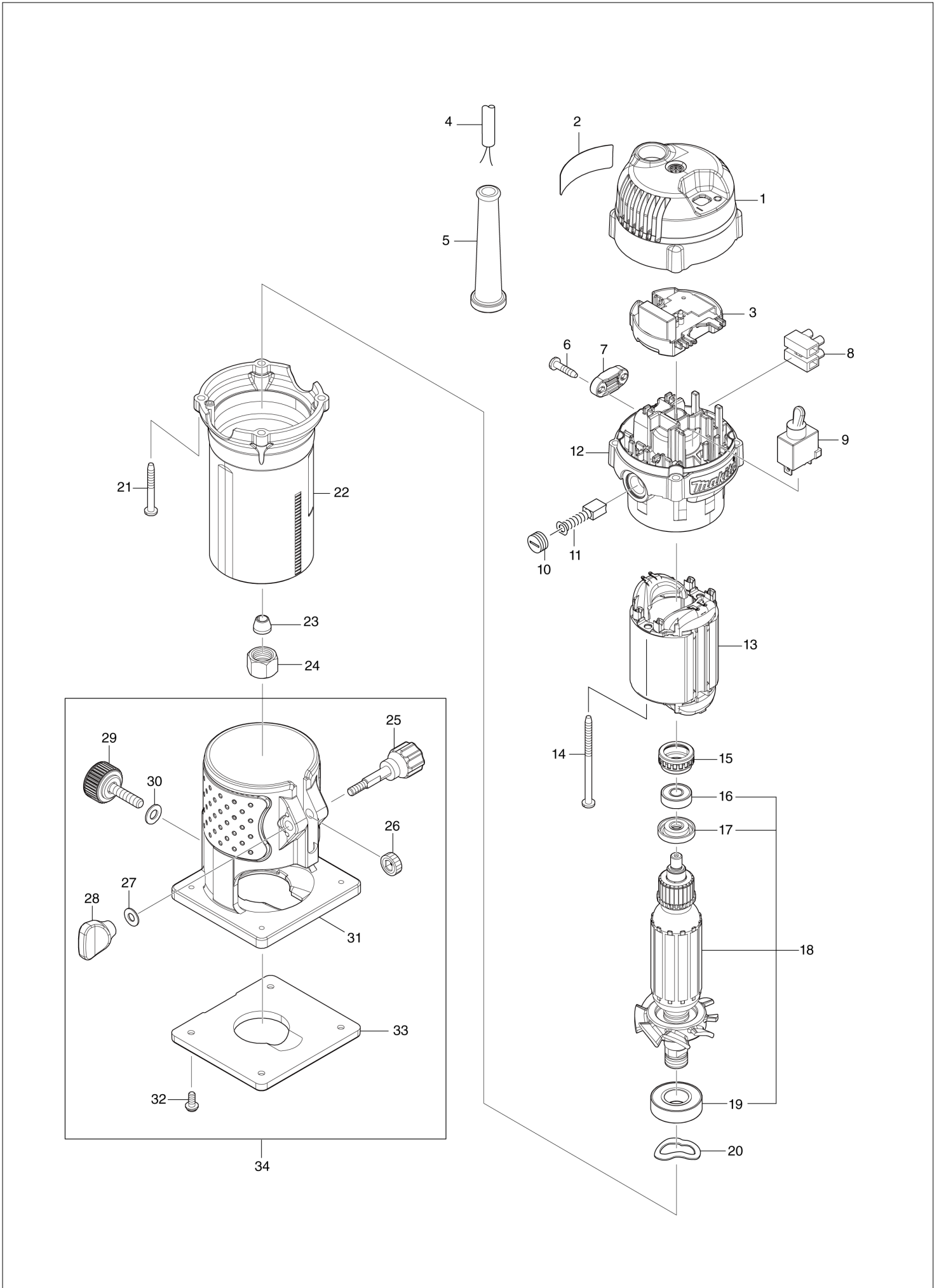
VN	VIETNAM
----	---------

# Diagram / Parts List

**3711**

**TRIMMER**

(VN) 3711 / TRIMMER



**VN VIETNAM****3711 / TRIMMER**

Item	Sub	Parts No.	Parts Description	Qty	I/C	E/C No.	Close No.	Remark
001		413774-8	TOP COVER	1				
002		811T68-9	3711 NAME PLATE	1				
003		620F95-9	CONTROLLER	1				
004		691065-9	POWER SUPPLY CORD 0.75-2-2.5	1				
005		682569-2	CORD GUARD 8-85	1				
006		266326-2	TAPPING SCREW 4X18	2				
007		687124-5	STRAIN RELIEF	1				
008		654531-7	TERMINAL BLOCK 2P	1				
009		651066-9	SWITCH ST115A-TB-S1	1				
010		643550-8	BRUSH HOLDER CAP 5-8	2				
011		195010-1	CARBON BRUSH SET CB-411	1				
012		141D19-5	BRACKET COMPLETE	1				
013		634773-9	FIELD	1				
014		266340-8	TAPPING SCREW 4X65	2				
015		421494-0	RUBBER RING 19	1				
016		210034-7	BALL BEARING 607LLB	1				
017		681668-7	INSULATION WASHER	1				
018		510275-8	ARMATURE ASS'Y 220V	1				
	C10	241667-7	FAN 52	1				
	D10		INC. 16,17,19					
019		211489-9	BALL BEARING 6002LLUX	1				
020		267785-3	WAVE WASHER 23	1				
021		266351-3	TAPPING SCREW 4X35	4				
022		141D78-9	MOTOR HOUSING COMPLETE	1				
	C10	8034K8-2	SCALE LABEL	1				
023		763663-0	COLLET CONE 6.35	1				
024		763661-4	COLLET NUT 6	1				
025		265771-8	THUMB SCREW M5X33	1				
026		226217-9	SPUR GEAR 16	1				
027		941101-4	FLAT WASHER 5	1				
028		252652-5	THUMB NUT M5	1				
029		265763-7	THUMB SCREW M6X25	1				
030		941151-9	FLAT WASHER 6	1				
031		419138-4	BASE	1				
032		265142-9	+ PAN HEAD SCREW M4X10	4				
033		410585-2	BASE PROTECTOR	1				
034		194267-1	TRIMMER BASE ASSEMBLY SET	1				
	D10		INC. 25-33					
A01		122703-7	TRIMMER GUIDE ASS'Y	1				
	C10	251471-6	- FLAT HEAD SCREW M5	1				
	C20	265135-6	+ COUNTERSUNK HEAD SCREW M4X10	1				
	C30	265763-7	THUMB SCREW M6X25	1				
	C40	265764-5	THUMB SCREW M6	1				
	C50	317788-8	GUIDE HOLDER	1				
	C60	324378-0	ROLLER 11	1				
	C70	341136-9	HOOK	1				
	C80	941151-9	FLAT WASHER 6	1				
A02		122704-5	STRAIGHT GUIDE ASS'Y	1				
	C10	252649-4	THUMB NUT M6	1				
	C20	266339-3	CAP SQUARE NECK BOLT M6X20	1				
	C30	343593-7	GUIDE PLATE	1				
A03		343577-5	TEMPLET GUIDE 10	1				
A04		781036-5	WRENCH 10	1				
A05		781037-3	WRENCH 17	1				
A06		418647-0	CHIP DEFLECTOR	1				
A07		733238-9	STRAIGHT BIT 6E	1				

Interchange  
O : Yes  
X : No  
< : the new part can be substituted for the current.  
> : the current part can be substituted for the new.  
S : Interchangeable as a set.