



| | |
|----|---------|
| VN | VIETNAM |
|----|---------|

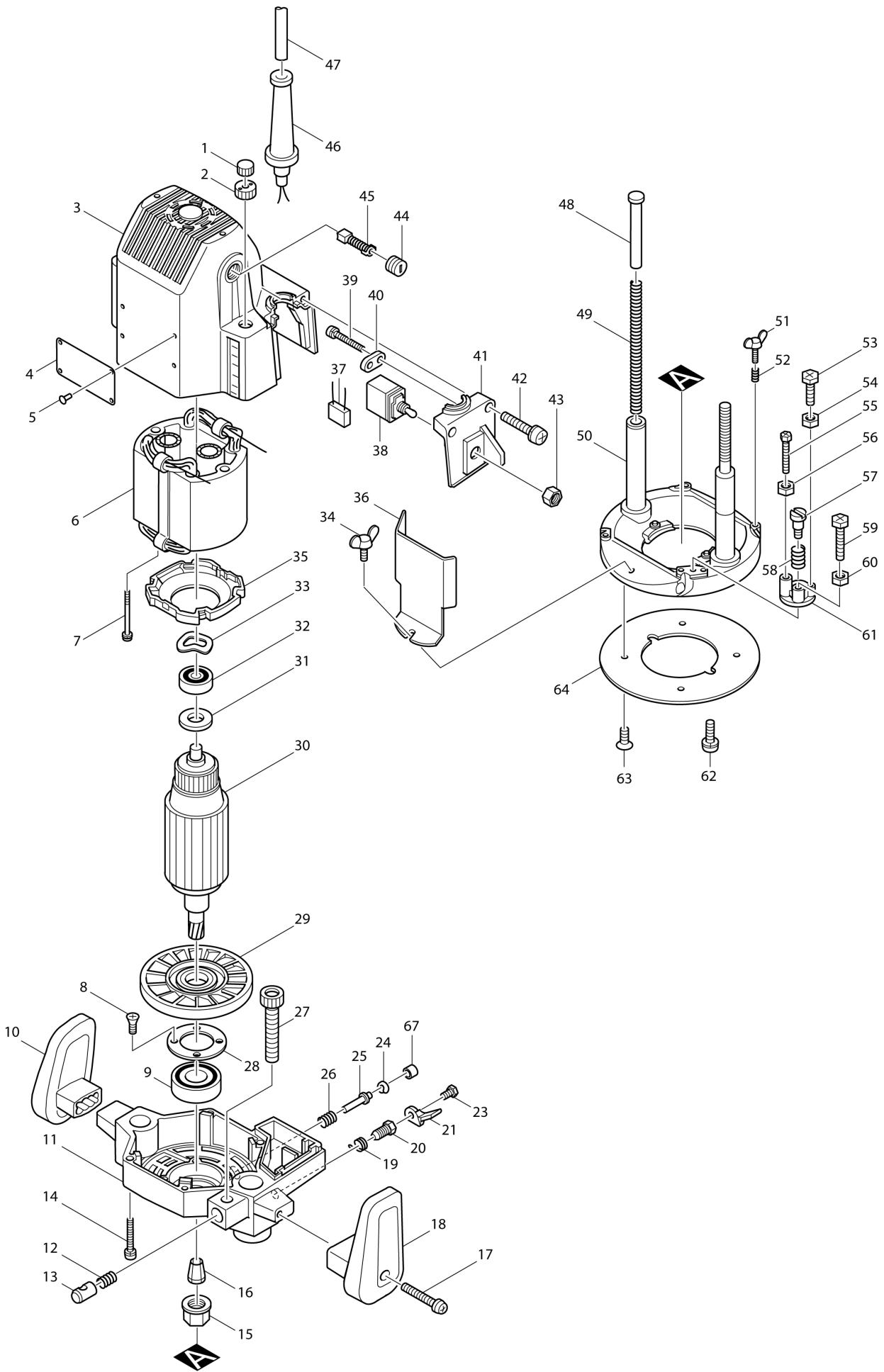
Diagram / Parts List

3612BR

ROUTER 12MM



(VN) 3612BR / ROUTER 12MM



| | |
|-----------|----------------|
| VN | VIETNAM |
|-----------|----------------|

3612BR / ROUTER 12MM

| Item | Sub | Parts No. | Parts Description | Qty | I/C | E/C No. | Close No. | Remark |
|-------|-----|-----------|-------------------------------|-----|-----|---------|-----------|--------|
| 001 | | 252625-8 | NUT M10 | 1 | | | | |
| 002 | | 410129-8 | NYLON NUT M10 | 1 | | | | |
| 003 | | 157109-0 | MOTOR HOUSING | 1 | | 57559 | | |
| | C10 | 643653-8 | BRUSH HOLDER 6.5-13.5 | 2 | | | | |
| | C11 | 643660-1 | BRUSH HOLDER 6.5-13.5 | 2 | O | 55752 | 74692 | |
| | C12 | 643653-8 | BRUSH HOLDER 6.5-13.5 | 2 | O | 74692 | | |
| | C20 | 816410-9 | SCALE LABEL | 1 | | | | |
| 004 | | 854939-7 | NAME PLATE 3612BR | 1 | | | | |
| 004-1 | | 851519-0 | NAME PLATE 3612BR | 1 | X | 57559 | | |
| 005 | | 953106-2 | RIVET 0-5 | 4 | | | 57559 | |
| 006C | | 524708-7 | FIELD ASS'Y 220V | 1 | | | C0739 | 220V |
| | C10 | 654020-2 | RING TERMINAL | 2 | | | C0739 | |
| | C20 | 654502-4 | CONNECTOR P-2 | 2 | | | C0739 | |
| 006C1 | | 524708-7 | FIELD ASS'Y 220V | 1 | O | C0739 | | 220V |
| | C10 | 654020-2 | RING TERMINAL | 2 | | C0739 | | |
| | C20 | 654502-4 | CONNECTOR P-2 | 2 | | C0739 | | |
| 007-1 | | 911938-3 | PAN HEAD SCREW M5X85 | 2 | | | | |
| 008-1 | | 251295-0 | + COUNTERSUNK HEAD SCREW M4X1 | 4 | | | | |
| 008-2 | | 251295-0 | + COUNTERSUNK HEAD SCREW M4X1 | 2 | | 53291 | | |
| 009-1 | | 211326-7 | BALL BEARING 6004DDW | 1 | | | 82627 | |
| 009-2 | | 211326-7 | BALL BEARING 6004DDW | 1 | O | 82627 | | |
| 010-1 | | 410127-2 | KNOB L | 1 | | | | |
| 011-2 | | 155763-4 | MOTOR BRACKET | 1 | | | 62771 | |
| 011-3 | | 155763-4 | MOTOR BRACKET | 1 | O | 62771 | | |
| 012 | | 231142-1 | COMPRESSION SPRING 10 | 1 | | | | |
| 013 | | 323559-3 | HALF NUT | 1 | | | | |
| 014 | | 911261-6 | PAN HEAD SCREW M5X40 | 4 | | | | |
| 014-1 | | 911263-2 | PAN HEAD SCREW M5X40 | 4 | O | 44637 | | |
| 015 | | 763629-0 | COLLET NUT | 1 | | | | |
| 016A | | 763622-4 | COLLET CONE 1/2" | 1 | | | | |
| 017 | | 911363-8 | PAN HEAD SCREW M6X40 | 2 | | | | |
| 018-1 | | 410126-4 | KNOB R | 1 | | | | |
| 019-1 | | 231574-2 | TORSION SPRING 15 | 1 | | | | |
| 020 | | 265813-8 | SET BOLT M10 | 1 | | | | |
| 021 | | 341933-3 | LOCK LEVER | 1 | | | | |
| 023 | | 265269-5 | HEX. BOLT M5X12 | 1 | | | | |
| 024 | | 962062-5 | RETAINING RING R-12 | 1 | | | | |
| 025 | | 256606-4 | PIN 6 | 1 | | | | |
| 026 | | 231037-8 | COMPRESSION SPRING 7 | 1 | | | | |
| 027 | | 251861-3 | SCREW M10X77 | 1 | | | | |
| 028 | | 285657-0 | BEARING RETAINER 50 | 1 | | | | |
| 029 | | 241823-9 | FAN 92 | 1 | | | | |
| 030B1 | | 514823-5 | ARMATURE ASS'Y 220V | 1 | | | | 220V |
| | D12 | | INC. 29,31,32 | | | | | |
| 031-1 | | 681624-7 | INSULATION WASHER | 1 | | | | |
| 031-2 | | 681635-2 | INSULATION WASHER | 1 | O | 46217A | | |
| 032-4 | | 211087-9 | BALL BEARING 6200DDW | 1 | | | | |
| 033 | | 253913-6 | WAVE WASHER 20 | 1 | | | | |
| 034 | | 924206-5 | WING BOLT M5X10 | 1 | | | | |
| 035 | | 410258-7 | BAFFLE PLATE | 1 | | | | |
| 036 | | 410128-0 | CHIP DEFLECTOR | 1 | | | | |
| 038-1 | | 651481-7 | SWITCH STE215K | 1 | O | 61026 | | |
| 039-3 | | 911133-5 | PAN HEAD SCREW M4X18 | 2 | | | | |
| 040 | | 687000-3 | STRAIN RELIEF | 1 | | | | |
| 041 | | 410297-7 | SWITCH COVER | 1 | | | | |
| 042-1 | | 911143-2 | PAN HEAD SCREW M4X22 | 2 | | | | |
| 043 | | 652102-4 | HEX. NUT M12 | 1 | | | | |
| 044 | | 643650-4 | BRUSH HOLDER CAP 6.5-13.5 | 2 | | | B0305 | |
| 044-1 | | 643650-4 | BRUSH HOLDER CAP 6.5-13.5 | 2 | O | B0305 | | |
| 045-1 | | 181044-0 | CARBON BRUSH CB-153 | 1 | | | 85070 | |
| 045-2 | | B-80329 | CARBON BRUSH SET CB-153A | 1 | < | 85070 | | |
| 046 | | 682504-0 | CORD GUARD 10-85 | 1 | | | | |
| 047K1 | | 691216-4 | POWER SUPPLY CORD 1.25-2-2.5 | 1 | | | | |
| 048 | | 314062-5 | POLE | 1 | | | | |
| 049 | | 231329-5 | COMPRESSION SPRING 11 | 2 | | | | |

Interchange
O : Yes
X : No
< : the new part can be substituted for the current.
> : the current part can be substituted for the new.
S : Interchangeable as a set.

