



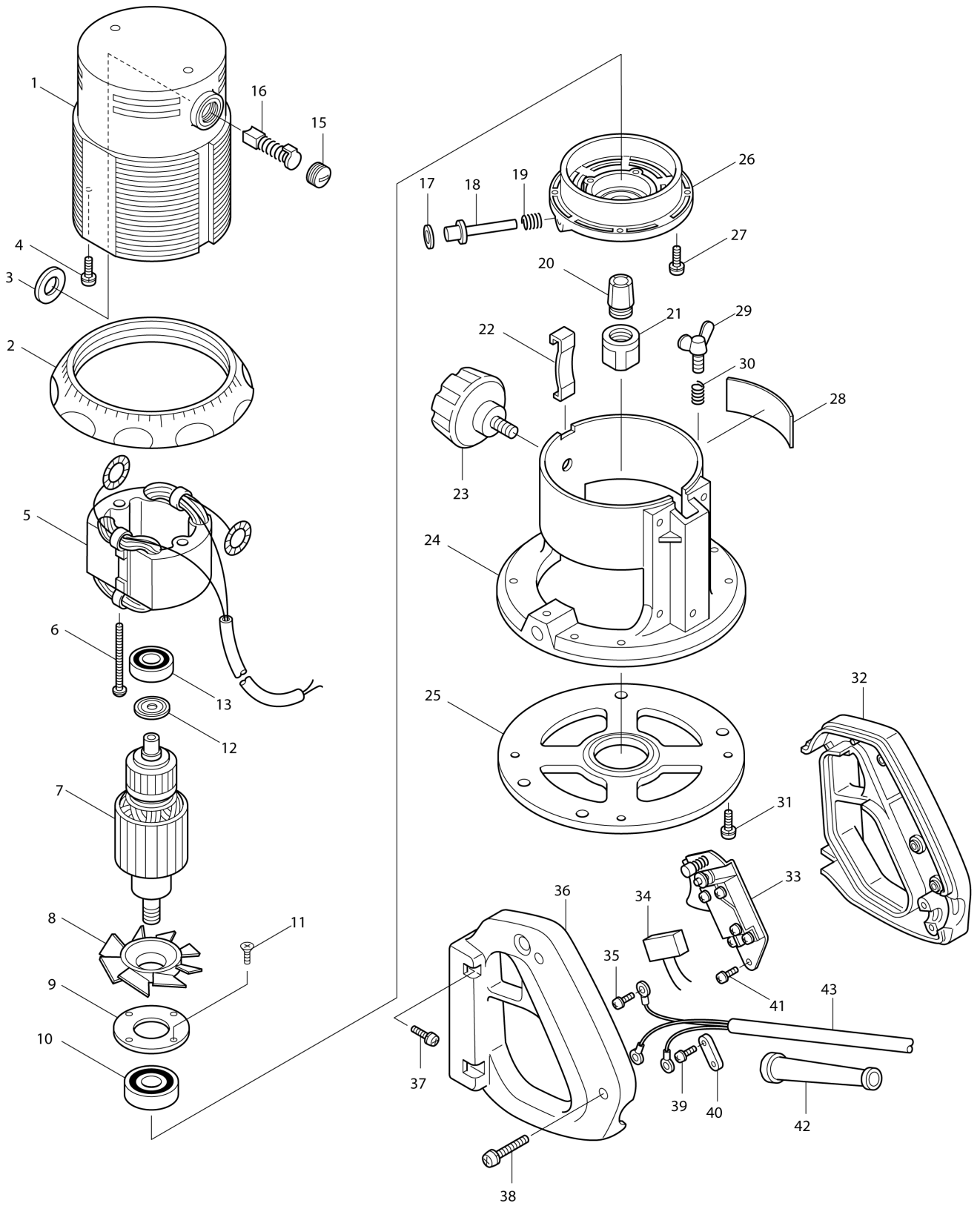
VN	VIETNAM
----	---------

Diagram / Parts List

3600H
ROUTER 12MM



(VN) 3600H / ROUTER 12MM



VN	VIETNAM
-----------	----------------

3600H / ROUTER 12MM

Item	Sub	Parts No.	Parts Description	Qty	I/C	E/C No.	Close No.	Remark
001-2		159247-4	MOTOR HOUSING	1				
	C10	643653-8	BRUSH HOLDER 6.5-13.5	2				
	C20	913206-0	SET SCREW M5X8	2				
002		411372-2	SCALE RING	1				
003		681002-1	INSULATION WASHER	2				
004		652014-1	PAN HEAD SCREW M4X8	1				
005C		523348-8	FIELD ASS'Y 220V	1				220V
	C10	654020-2	RING TERMINAL	2				
	C20	654502-4	CONNECTOR P-2	2				
006-1		911300-2	PAN HEAD SCREW M5X75	2				
007C		514863-3	ARMATURE ASS'Y 220V	1				220V
	D12		INC. 8,12,13					
008		241651-2	FAN 76	1				
009		285657-0	BEARING RETAINER 50	1		53291		
010-1		211326-7	BALL BEARING 6004DDW	1			65069	
010-2		211334-8	BALL BEARING 2012DDW	1	O	65069	82627	
010-3		211326-7	BALL BEARING 6004DDW	1	O	82627		
011-1		251295-0	+ COUNTERSUNK HEAD SCREW M4X1	4				
011-2		251295-0	+ COUNTERSUNK HEAD SCREW M4X1	2	O	53291		
012		213051-6	DUST SEAL 10	1				
013-2		211087-9	BALL BEARING 6200DDW	1				
015		643650-4	BRUSH HOLDER CAP 6.5-13.5	2			B0305	
015-1		643650-4	BRUSH HOLDER CAP 6.5-13.5	2	O	B0305		
016-1		181044-0	CARBON BRUSH CB-153	1			85070	
016-2		B-80329	CARBON BRUSH SET CB-153A	1	<	85070		
017		962062-5	RETAINING RING R-12	1				
018		256606-4	PIN 6	1				
019		231037-8	COMPRESSION SPRING 7	1				
020A		763622-4	COLLET CONE 1/2"	1				
021		763629-0	COLLET NUT	1				
022		342290-2	LOCK PLATE	1				
023		271213-2	KNOB 52	1				
024-1		316295-8	ROUTER BASE	1				
025		411023-7	BASE PLATE	1				
026-2		316294-0	MOTOR BRACKET	1	O	53291		
027		911221-8	PAN HEAD SCREW M5X16	4				
028		855574-4	NAME PLATE 3600H	1				
029		924326-5	WING BOLT M6X20	1				
030		231005-1	COMPRESSION SPRING 7	1				
031		911207-2	PAN HEAD SCREW M5X10	4				
032		181148-8	HANDLE SET	1				
	D10		INC. 36					
033		651009-1	SWITCH NPAHR2-3S	1				
033-1		651018-0	SWITCH HPAHR2-3S	1	O	55297		
035		652014-1	PAN HEAD SCREW M4X8	1				
036		181148-8	HANDLE SET	1				
	D10		INC. 32					
037		911233-1	PAN HEAD SCREW M5X20	4				
038		911153-9	PAN HEAD SCREW M4X28	2				
039-3		911133-5	PAN HEAD SCREW M4X18	2				
040-1		687034-6	STRAIN RELIEF	1				
041		911103-4	PAN HEAD SCREW M4X6	1				
042		682506-6	CORD GUARD 12-90	1				
043Q1		691346-1	POWER SUPPLY CORD 1.25-3-5.0	1				
400		934201-7	WING NUT M5	1				
401		942101-7	SPRING WASHER 5	1				
402		163263-0	ROLL	1				
403		342427-1	PLATE HOLDER	1				
404		312038-6	TRIMMER GUIDE HOLDER	1				
405		941151-9	FLAT WASHER 6	2				
406		942151-2	SPRING WASHER 6	2				
407-1		924346-9	WING BOLT M6X30	2				
408		924316-8	WING BOLT M6X15	2				
409		942151-2	SPRING WASHER 6	1				
410		941151-9	FLAT WASHER 6	1				

Interchange
O : Yes
X : No
< : the new part can be substituted for the current.
> : the current part can be substituted for the new.
S : Interchangeable as a set.

