



VN	VIETNAM
----	---------

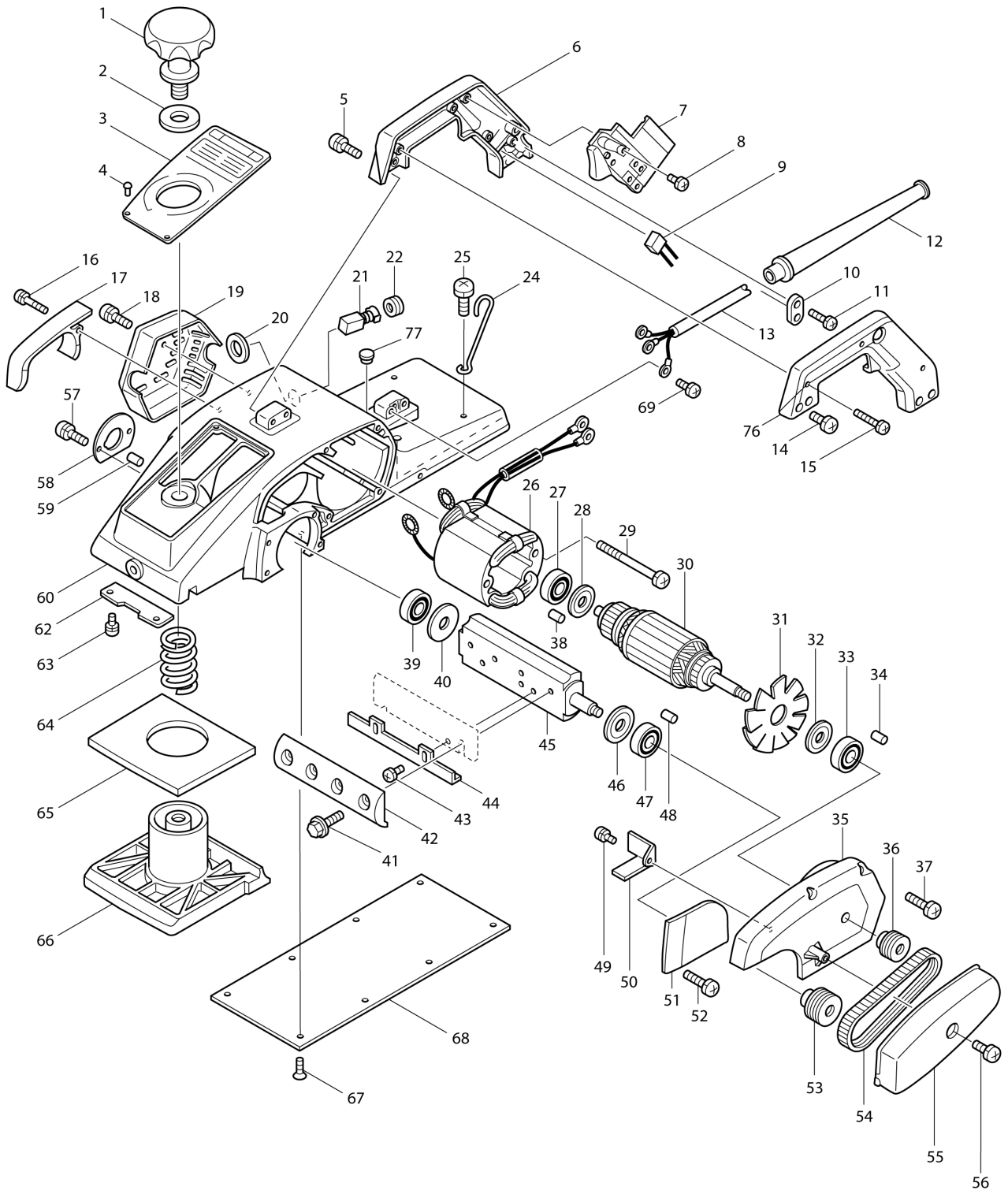
Diagram / Parts List

1804N

POWER PLANER 136MM



(VN) 1804N / POWER PLANER 136MM



VN	VIETNAM
-----------	----------------

1804N / POWER PLANER 136MM

Item	Sub	Parts No.	Parts Description	Qty	I/C	E/C No.	Close No.	Remark
001		271249-1	KNOB 64	1				
002		253004-3	FLAT WASHER 13	1				
003-1		859274-8	NAME PLATE 1804N	1				
005		911213-7	PAN HEAD SCREW M5X12	4				
006		181137-3	HANDLE SET	1				
	D10		INC. 76					
007-2		651030-0	SWITCH HPAHR2-2S	1				
008		911101-8	PAN HEAD SCREW M4X6	2				
010-1		687034-6	STRAIN RELIEF	1				
011-3		911133-5	PAN HEAD SCREW M4X18	2				
012		682507-4	CORD GUARD 12-200	1				
013R1		691346-1	POWER SUPPLY CORD 1.25-3-5.0	1				
014		911213-7	PAN HEAD SCREW M5X12	4				
015		911158-9	PAN HEAD SCREW M4X30	3				
016		911146-6	PAN HEAD SCREW M4X25	1				
017		312884-7	CHIP COVER	1				
018		911206-4	PAN HEAD SCREW M5X10	2				
019		284040-8	REAR COVER	1				
020		681002-1	INSULATION WASHER	2				
021		A-81240	CARBON BRUSH CB-153A	1			83185	
021-1		B-80117	CARBON BRUSH SET CB-153A	1	O	83185	85070	
021-2		B-80329	CARBON BRUSH SET CB-153A	1	<	85070		
022		643650-4	BRUSH HOLDER CAP 6.5-13.5	2			B0305	
022-1		643650-4	BRUSH HOLDER CAP 6.5-13.5	2	O	B0305		
024		281007-7	HOLDER	1				
025		911324-8	PAN HEAD SCREW M6X16	1				
026C		523025-2	FIELD ASS'Y 220V	1				
	C10	654020-2	RING TERMINAL	2				
	C20	654502-4	CONNECTOR P-2	2				
027		211066-7	BALL BEARING 6200LLB	1				
028		213051-6	DUST SEAL 10	1				
029-1		911295-9	PAN HEAD SCREW M5X70	2				
030C		513145-0	ARMATURE ASS'Y 220V	1				
	D10		INC. 27,28,31-33					
031		241013-4	FAN 80	1				
032		213102-5	DUST SEAL 12	1				
033-1		211144-3	BALL BEARING 6201LLB	1			82574	
033-2		211106-1	BALL BEARING 6201LLB	1	O	82574		
034		263005-3	RUBBER PIN 6	1				
035		152213-0	BRACKET COMPLETE	1				
	D10		INC. 34					
036		222007-8	V-PULLEY 6-23L	1				
037		911241-2	PAN HEAD SCREW M5X25	4				
038		263002-9	RUBBER PIN 4	1				
039		211067-5	BALL BEARING 6200ZZ	1				
040		341376-9	WASHER 10	1				
041		251609-3	HEX. FLANGE HEAD BOLT M6X17	8				
042-1		344341-7	DRUM PLATE	2			Y06460	
042-2		187673-7	DRUM PLATE SET	1	O	Y06460		
043		251246-3	+ PAN HEAD SCREW M4X5	4				
044		342193-0	ADJUST PLATE	2				
045		161017-9	DRUM	1				
046		341377-7	WASHER 12	1				
047		211107-9	BALL BEARING 6201ZZ	1				
048		263005-3	RUBBER PIN 6	1				
049		911106-8	PAN HEAD SCREW M4X8	1				
050		342489-9	BAFFLE PLATE	1				
051		157023-0	DRUM HOUSING	1				
	D10		INC. 48					
052-1		911116-5	PAN HEAD SCREW M4X12	4				
053		222006-0	V-PULLEY 6-30	1				
054		225006-9	POLY V-BELT 6-285	1				
055		343293-9	BELT COVER	1				
056		911206-4	PAN HEAD SCREW M5X10	1				
057		911206-4	PAN HEAD SCREW M5X10	2				

Interchange
O : Yes
X : No
< : the new part can be substituted for the current.
> : the current part can be substituted for the new.
S : Interchangeable as a set.

