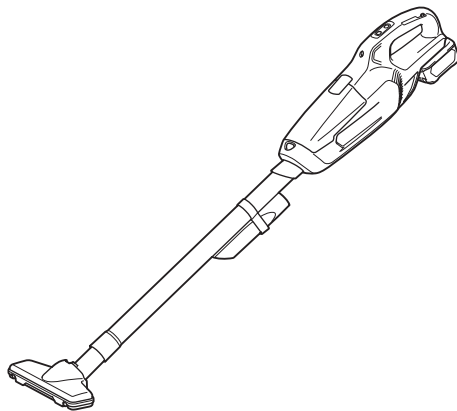
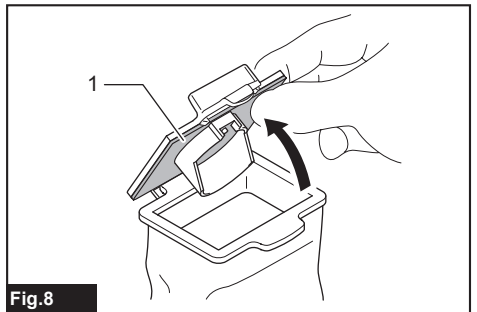
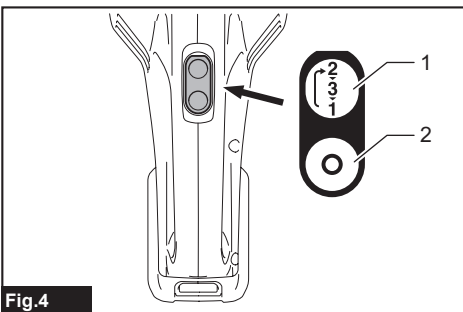
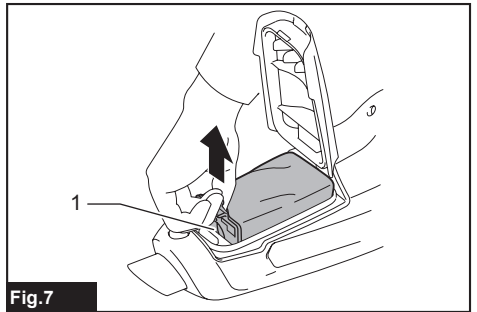
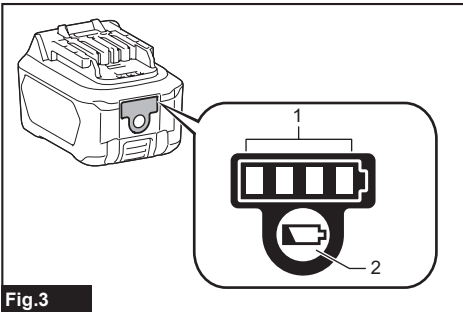
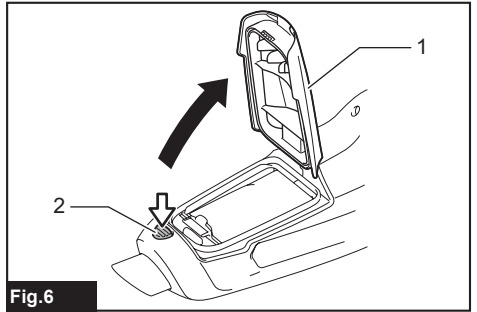
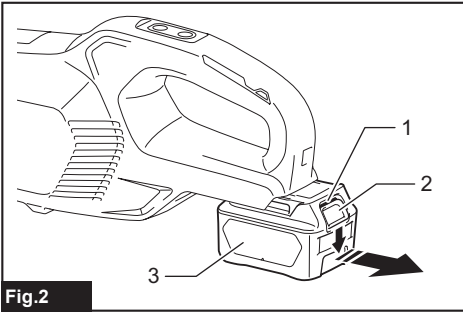
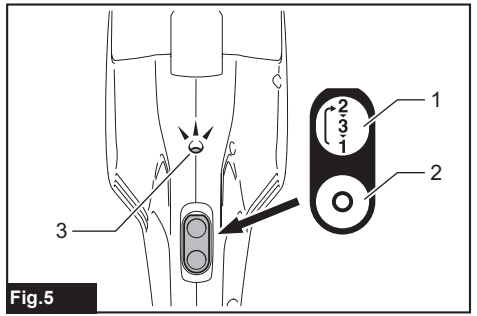
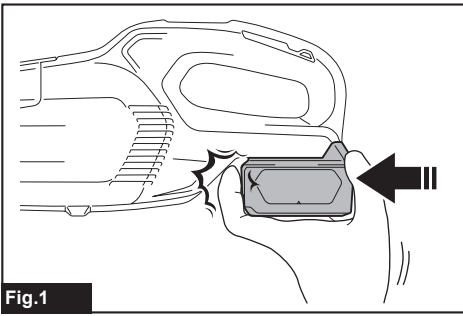


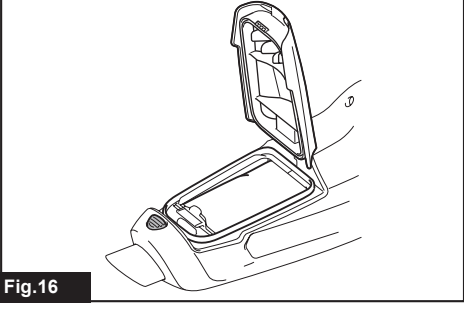
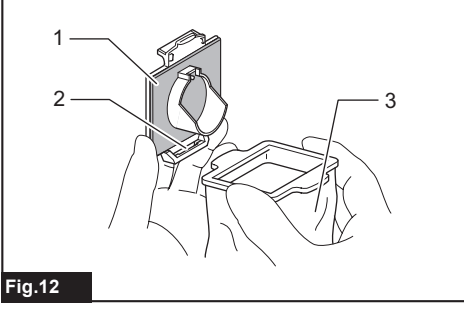
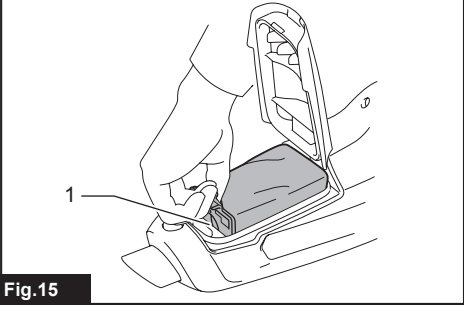
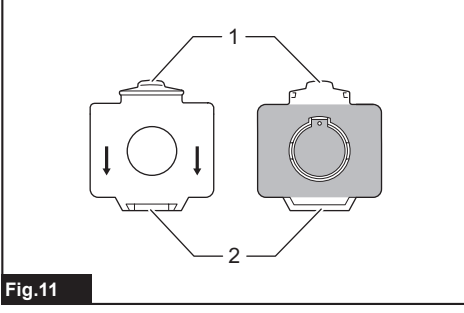
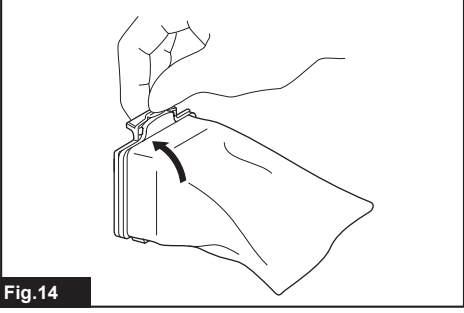
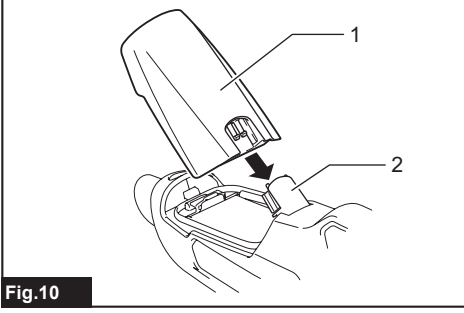
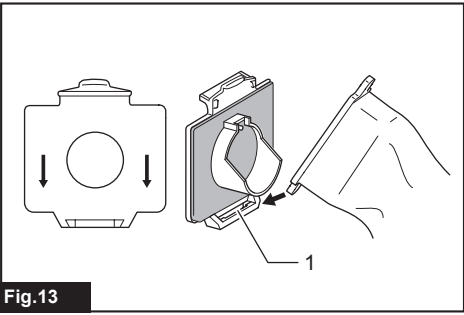
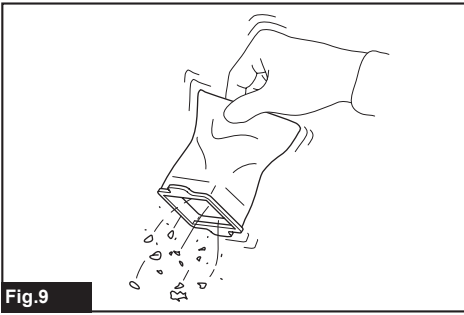


EN	Cordless Cleaner	INSTRUCTION MANUAL	8
ZHCN	充电式吸尘器	使用说明书	16
ID	Pembersih Tanpa Kabel	PETUNJUK PENGGUNAAN	24
VI	Máy Hút Bụi Cầm Tay Hoạt Động Bằng Pin	TÀI LIỆU HƯỚNG DẪN	33
TH	เครื่องดูดฝุ่นไร้สาย	คู่มือการใช้งาน	41

CL107FD







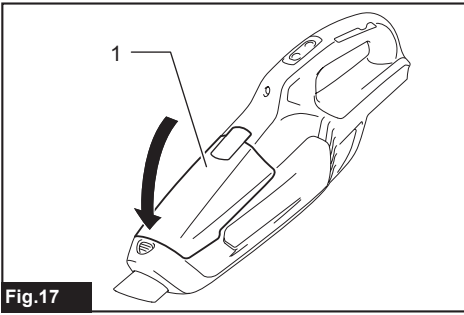


Fig.17

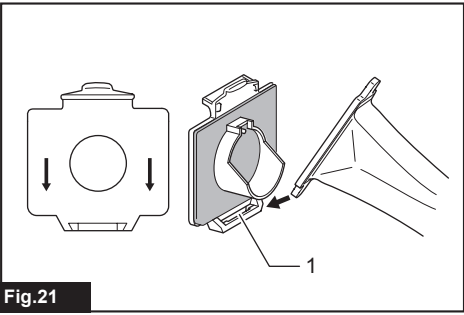


Fig.21

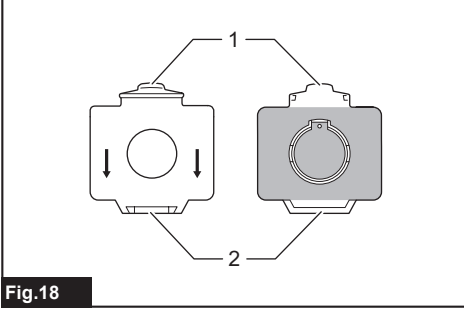


Fig.18

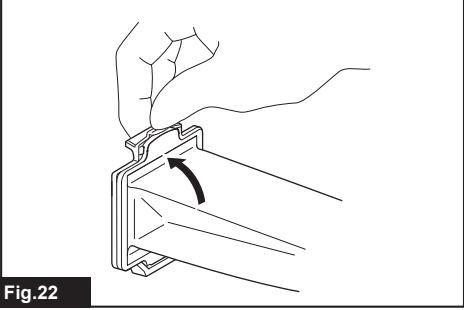


Fig.22

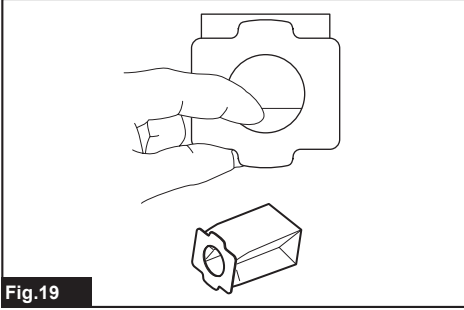


Fig.19

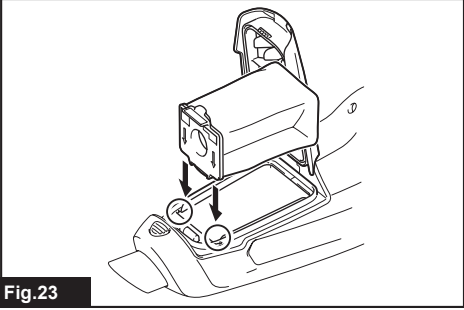


Fig.23

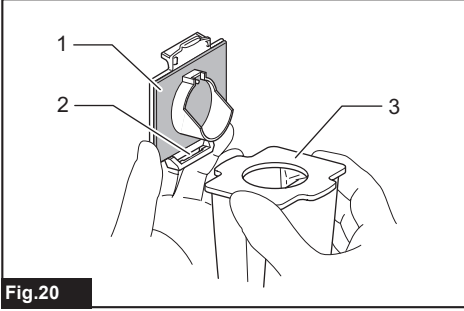


Fig.20

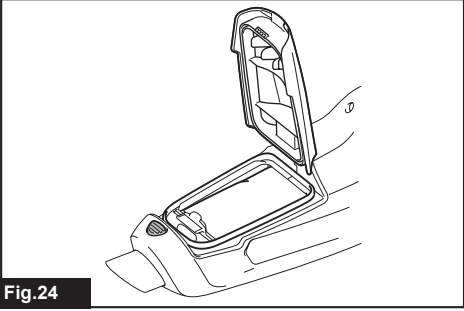


Fig.24

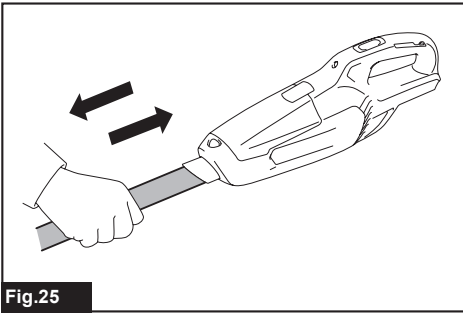


Fig.25

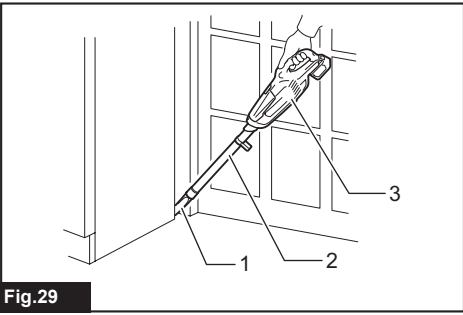


Fig.29

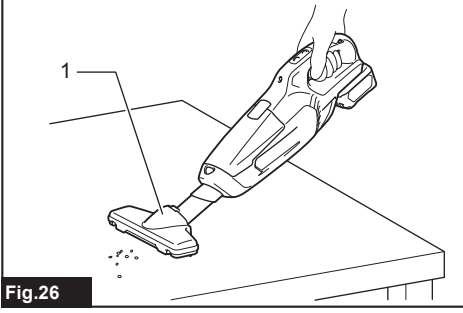


Fig.26

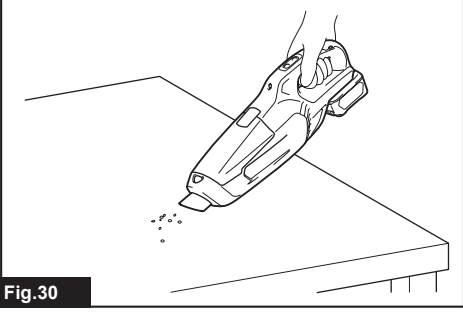


Fig.30

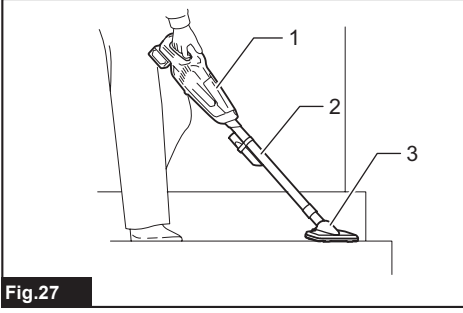


Fig.27

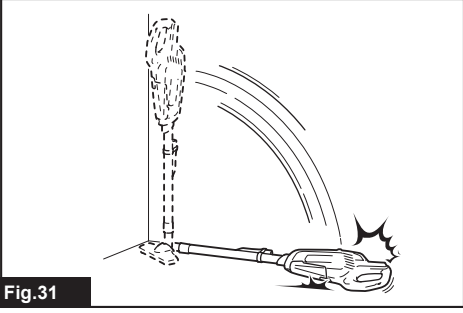


Fig.31

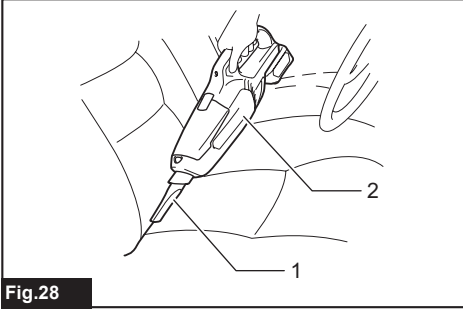


Fig.28

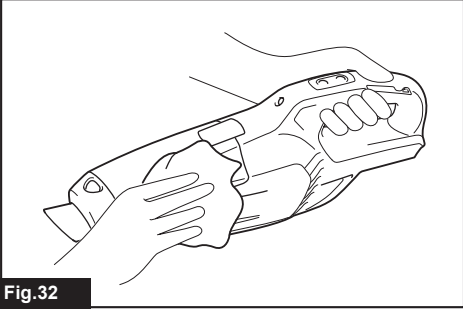


Fig.32

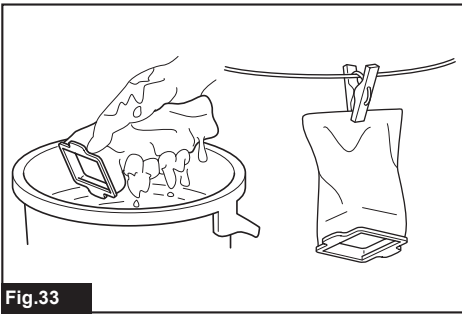


Fig.33

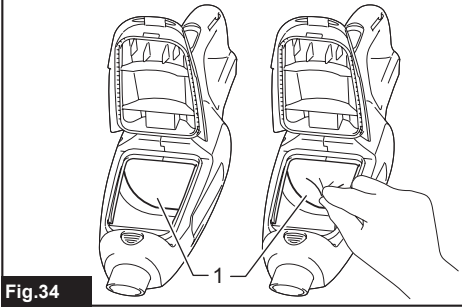


Fig.34

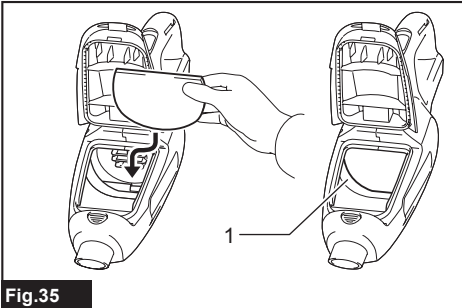


Fig.35

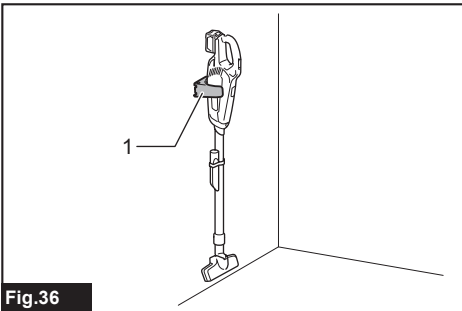


Fig.36

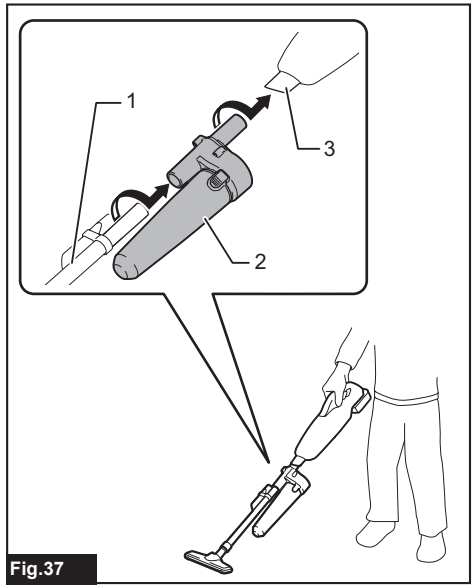


Fig.37

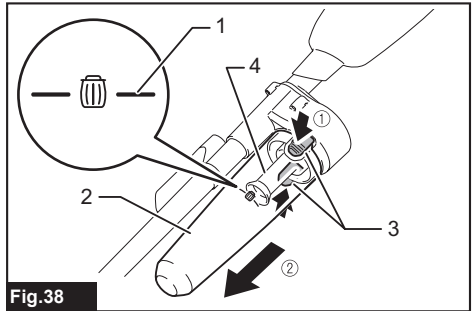


Fig.38

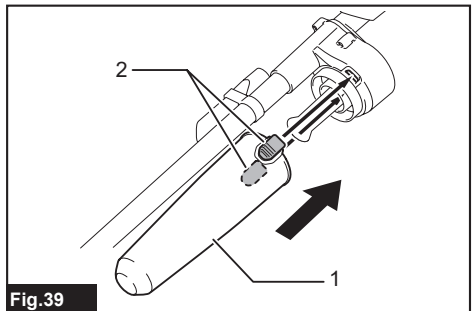


Fig.39

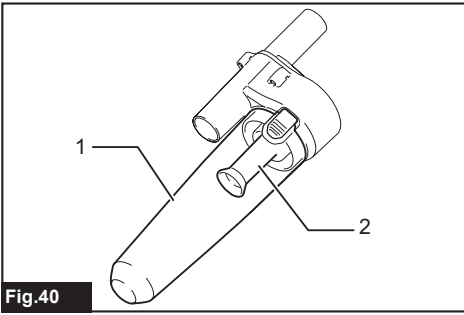


Fig.40

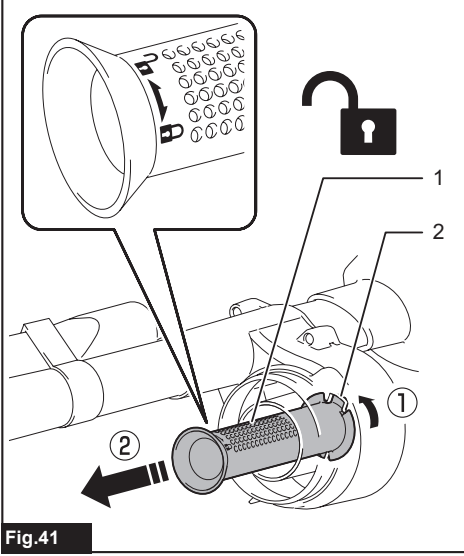


Fig.41

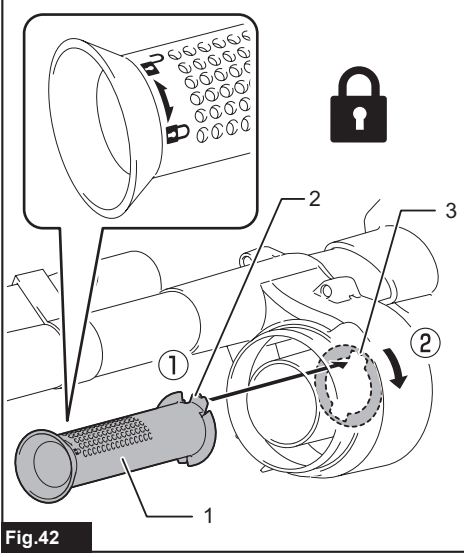


Fig.42

WARNING

- This appliance can be used by children aged from 8 years and above and persons with reduced physical, sensory or mental capabilities or lack of experience and knowledge if they have been given supervision or instruction concerning use of the appliance in a safe way and understand the hazards involved.
- Children shall not play with the appliance. Cleaning and user maintenance shall not be made by children without supervision.
- See the chapter "SPECIFICATIONS" for the type reference of the battery.
- See the section "Installing or removing battery cartridge" for how to remove or install the battery.
- When disposing the battery cartridge, remove it from the tool and dispose of it in a safe place. Follow your local regulations relating to disposal of battery.
- If the tool is not used for a long period of time, the battery must be removed from the tool.
- Do not short the battery cartridge.
- See the chapter "MAINTENANCE" for the appropriate details of precautions during user maintenance.

SPECIFICATIONS

Model:		CL107FD
Capacity	with a dust bag	500 mL
	with a paper filter	330 mL
Continuous use (with battery BL1016)	1 (Normal speed mode)	Approx. 25 min
	2 (High speed mode)	Approx. 12 min
	3 (Max speed mode)	Approx. 10 min
Overall length		960 mm
Rated voltage		D.C. 10.8 V - 12 V max
Net weight		1.1 - 1.3 kg

- Due to our continuing program of research and development, the specifications herein are subject to change without notice.
- Specifications may differ from country to country.
- The weight does not include accessories but battery cartridge(s). The lightest and heaviest combination weight of the appliance and battery cartridge(s) are shown in the table.

Applicable battery cartridge and charger

Battery cartridge	BL1016 / BL1021B / BL1041B
Charger	DC10SA / DC10SB / DC10WC / DC10WD / DC18RE

- Some of the battery cartridges and chargers listed above may not be available depending on your region of residence.

⚠ WARNING: Only use the battery cartridges and chargers listed above. Use of any other battery cartridges and chargers may cause injury and/or fire.

Symbols

The followings show the symbols which may be used for the equipment. Be sure that you understand their meaning before use.



Read instruction manual.



Ni-MH
Li-ion

Only for EU countries

Due to the presence of hazardous components in the equipment, waste electrical and electronic equipment, accumulators and batteries may have a negative impact on the environment and human health. Do not dispose of electrical and electronic appliances or batteries with household waste!

In accordance with the European Directive on waste electrical and electronic equipment and on accumulators and batteries and waste accumulators and batteries, as well as their adaptation to national law, waste electrical equipment, batteries and accumulators should be stored separately and delivered to a separate collection point for municipal waste, operating in accordance with the regulations on environmental protection.

This is indicated by the symbol of the crossed-out wheeled bin placed on the equipment.

Intended use

The tool is intended for collecting dry dust.

SAFETY WARNINGS

Cordless cleaner safety warnings

⚠ WARNING: IMPORTANT! READ CAREFULLY all safety warnings and all instructions BEFORE USE. Failure to follow the warnings and instructions may result in electric shock, fire and/or serious injury.

1. Do not expose to rain. Store indoors.
2. Do not allow to be used as a toy. Close attention is necessary when used by or near children.
3. Use only as described in this manual. Use only manufacturer's recommended attachments.
4. Do not use with damaged battery. If appliance is not working as it should, has been dropped, damaged, left outdoors, or dropped into water, return it to a service center.
5. Do not handle appliance with wet hands.
6. Do not put any object into openings. Do not use with any opening blocked; keep free of dust, lint, hair, and anything that may reduce air flow.
7. Keep hair, loose clothing, fingers, and all parts of body away from openings and moving parts.
8. Turn off all controls before removing the battery.
9. Use extra care when cleaning on stairs.

10. Do not use to pick up flammable or combustible liquids, such as gasoline, or use in areas where they may be present.
11. Use only the charger supplied by the manufacturer to recharge.
12. Do not pick up anything that is burning or smoking, such as cigarettes, matches, or hot ashes.
13. Do not use without dust bag and/or filters in place.
14. Do not charge the battery outdoors.
15. Recharge only with the charger specified by the manufacturer. A charger that is suitable for one type of battery pack may create a risk of fire when used with another battery pack.
16. Use power tools only with specifically designated battery packs. Use of any other battery packs may create a risk of injury and fire.
17. When (the) battery pack is not in use, keep it away from other metal objects, like paper clips, coins, keys, nails, screws or other small metal objects, that can make a connection from one terminal to another.
18. Under abusive conditions, liquid may be ejected from the battery; avoid contact. If contact accidentally occurs, flush with water.
19. Do not use a battery pack or tool that is damaged or modified. Damaged or modified batteries may exhibit unpredictable behaviour resulting in fire, explosion or risk of injury.
20. Do not expose a battery pack or tool to fire or excessive temperature. Exposure to fire or temperature above 130 °C may cause explosion.
21. Follow all charging instructions and do not charge the battery pack or tool outside the temperature range specified in the instructions. Charging improperly or at temperatures outside the specified range may damage the battery and increase the risk of fire.

SAVE THESE INSTRUCTIONS.

ADDITIONAL SAFETY RULES

This appliance is intended for household use.

1. Read this instruction manual and the charger instruction manual carefully before use.
2. Do not pick up the following materials:
 - Hot materials such as lit cigarettes or spark/metal dust generated by grinding/cutting metal
 - Flammable materials such as gasoline, thinner, benzene, kerosene or paint
 - Explosive materials like nitroglycerin
 - Ignitable materials such as Aluminum, zinc, magnesium, titanium, phosphorus or celluloid
 - Wet dirt, water, oil or the like
 - Hard pieces with sharp edges, such as wood chips, metals, stones, glasses, nails, pins or razors
 - Powder to clot such as cement or toner
 - Conductive dust such as metal or carbon

— Fine particle like concrete dust
Such action may cause fire, injury and/or property damage.

3. Stop operation immediately if you notice anything abnormal.
4. If you drop or strike the cleaner, check it carefully for cracks or damage before operation.
5. Do not bring close to stoves or other heat sources.
6. Do not block the intake hole or vent holes.

SAVE THESE INSTRUCTIONS.

Important safety instructions for battery cartridge

1. Before using battery cartridge, read all instructions and cautionary markings on (1) battery charger, (2) battery, and (3) product using battery.
2. Do not disassemble or tamper with the battery cartridge. It may result in a fire, excessive heat, or explosion.
3. If operating time has become excessively shorter, stop operating immediately. It may result in a risk of overheating, possible burns and even an explosion.
4. If electrolyte gets into your eyes, rinse them out with clear water and seek medical attention right away. It may result in loss of your eyesight.
5. Do not short the battery cartridge:
 - (1) Do not touch the terminals with any conductive material.
 - (2) Avoid storing battery cartridge in a container with other metal objects such as nails, coins, etc.
 - (3) Do not expose battery cartridge to water or rain.

A battery short can cause a large current flow, overheating, possible burns and even a breakdown.

6. Do not store and use the tool and battery cartridge in locations where the temperature may reach or exceed 50 °C (122 °F).
7. Do not incinerate the battery cartridge even if it is severely damaged or is completely worn out. The battery cartridge can explode in a fire.
8. Do not nail, cut, crush, throw, drop the battery cartridge, or hit against a hard object to the battery cartridge. Such conduct may result in a fire, excessive heat, or explosion.
9. Do not use a damaged battery.

10. The contained lithium-ion batteries are subject to the Dangerous Goods Legislation requirements.

For commercial transports e.g. by third parties, forwarding agents, special requirement on packaging and labeling must be observed. For preparation of the item being shipped, consulting an expert for hazardous material is required. Please also observe possibly more detailed national regulations.

Tape or mask off open contacts and pack up the battery in such a manner that it cannot move around in the packaging.

11. When disposing the battery cartridge, remove it from the tool and dispose of it in a safe place. Follow your local regulations relating to disposal of battery.
12. Use the batteries only with the products specified by Makita. Installing the batteries to non-compliant products may result in a fire, excessive heat, explosion, or leak of electrolyte.
13. If the tool is not used for a long period of time, the battery must be removed from the tool.
14. During and after use, the battery cartridge may take on heat which can cause burns or low temperature burns. Pay attention to the handling of hot battery cartridges.
15. Do not touch the terminal of the tool immediately after use as it may get hot enough to cause burns.
16. Do not allow chips, dust, or soil stuck into the terminals, holes, and grooves of the battery cartridge. It may result in poor performance or breakdown of the tool or battery cartridge.
17. Unless the tool supports the use near high-voltage electrical power lines, do not use the battery cartridge near high-voltage electrical power lines. It may result in a malfunction or breakdown of the tool or battery cartridge.
18. Keep the battery away from children.

SAVE THESE INSTRUCTIONS.

⚠ CAUTION: Only use genuine Makita batteries. Use of non-genuine Makita batteries, or batteries that have been altered, may result in the battery bursting causing fires, personal injury and damage. It will also void the Makita warranty for the Makita tool and charger.

Tips for maintaining maximum battery life

1. Charge the battery cartridge before completely discharged. Always stop tool operation and charge the battery cartridge when you notice less tool power.
2. Never recharge a fully charged battery cartridge. Overcharging shortens the battery service life.
3. Charge the battery cartridge with room temperature at 10 °C - 40 °C (50 °F - 104 °F). Let a hot battery cartridge cool down before charging it.
4. When not using the battery cartridge, remove it from the tool or the charger.

FUNCTIONAL DESCRIPTION

CAUTION: Always be sure that the tool is switched off and the battery cartridge is removed before adjusting or checking function on the tool.

CAUTION: Take care not to trap finger(s) between cleaner and battery as shown in diagram when loading battery. Trapping finger(s) may cause injury.

► Fig.1

Installing or removing battery cartridge

CAUTION: Always switch off the tool before installing or removing of the battery cartridge.

CAUTION: Hold the tool and the battery cartridge firmly when installing or removing battery cartridge. Failure to hold the tool and the battery cartridge firmly may cause them to slip off your hands and result in damage to the tool and battery cartridge and a personal injury.

► Fig.2: 1. Red indicator 2. Button 3. Battery cartridge

To remove the battery cartridge, slide it from the tool while sliding the button on the front of the cartridge.

To install the battery cartridge, align the tongue on the battery cartridge with the groove in the housing and slip it into place. Insert it all the way until it locks in place with a little click. If you can see the red indicator as shown in the figure, it is not locked completely.

CAUTION: Always install the battery cartridge fully until the red indicator cannot be seen. If not, it may accidentally fall out of the tool, causing injury to you or someone around you.

CAUTION: Do not install the battery cartridge forcibly. If the cartridge does not slide in easily, it is not being inserted correctly.

Battery protection system

The tool is equipped with a battery protection system. This system automatically cuts off power to the motor to extend battery life.

The tool will automatically stop during operation if the tool and/or battery are placed under one of the following conditions:

Overloaded:

The tool is operated in a manner that causes it to draw an abnormally high current. In this situation, turn the tool off and stop the application that caused the tool to become overloaded. Then turn the tool on to restart.

Low battery voltage:

The remaining battery capacity is too low and the tool will not operate. If you turn the tool on, the motor runs again but stops soon. In this situation, remove and recharge the battery.

Indicating the remaining battery capacity

Only for battery cartridges with the indicator

► Fig.3: 1. Indicator lamps 2. Check button

Press the check button on the battery cartridge to indicate the remaining battery capacity. The indicator lamps light up for a few seconds.

Indicator lamps		Remaining capacity
Lighted	Off	
■ ■ ■ ■	□	75% to 100%
■ ■ ■ □	□	50% to 75%
■ ■ □ □	□	25% to 50%
■ □ □ □	□	0% to 25%

NOTE: Depending on the conditions of use and the ambient temperature, the indication may differ slightly from the actual capacity.

Switch action

► Fig.4: 1. ON/speed change button 2. OFF button

To start the cleaner, simply push the ON/speed change button. To switch off, push the OFF button.

You can change the cleaner speed in three steps by pushing the ON/speed change button.

The first push on this button is for high speed mode, the second push for max speed mode and the third push for normal speed mode. Each push on this button repeats the high/max/normal speed cycle alternatively.

Lighting up the lamp

CAUTION: Do not look in the light or see the source of light directly.

► Fig.5: 1. ON/speed change button 2. OFF button 3. Lamp

To turn on the lamp, push the ON/speed change button. Push the OFF button to turn off the lamp. During the tool actuating, the lamp turns on.

When the remaining battery capacity gets low, the lamp starts blinking.

NOTE: The timing, at which the lamp starts blinking, depends on the temperature at work place and the battery cartridge conditions.

ASSEMBLY

⚠ CAUTION: Always be sure that the tool is switched off and the battery cartridge is removed before carrying out any work on the tool.

Disposing of dust

⚠ CAUTION: Empty the cleaner before it becomes too full, or the suction force weakens.

⚠ CAUTION: Be sure to empty the inside of the cleaner itself of dust. Failure to do so may cause the filter to be clogged or the motor to be damaged.

⚠ CAUTION: Never throw away the dust stopper because it should be used whenever either the dust bag or the paper filter is used.

⚠ CAUTION: When closing the front cover, be careful not to pinch your fingers.

1. Push the button to open the front cover. Opening it until a click is heard allows a positive stop at that position.

▶ Fig.6: 1. Front cover 2. Button

2. Pull out both the orange-colored dust stopper and dust bag together at the same time.

▶ Fig.7: 1. Dust stopper

3. Remove the dust stopper and empty the cleaner.

▶ Fig.8: 1. Dust stopper

▶ Fig.9

NOTE: The cleaner is constructed in such a way that the front cover comes off when trying to force the front cover open at the angle of more than 90°. If the front cover comes off, insert it into the front cover joint in place.

▶ Fig.10: 1. Front cover 2. Front cover joint

Dust bag and paper filter

Install either dust bag or paper filter before using cleaner.

Use the dust stopper when installing either dust bag or paper filter.

Dust bag are usable many times repeatedly by cleaning it out.

Paper filter is a throw-away type. Throw away the entire paper filter without emptying when it has become full.

NOTICE: To prevent dust from getting into the motor:

- Make sure that the dust bag or paper filter is installed before use.
- Insert the dust stopper together with the dust bag or paper filter all the way into the slots when installing them.
- Do not use a broken or ripped bag.

Otherwise the motor may be broken.

NOTICE: Do not fold the cardboard at its opening when installing the paper filter.

NOTICE: Never throw away the dust stopper because it needs to be used repeatedly whenever either the dust bag or the paper filter is used.

NOTICE: The paper filter for the cleaner is an important component for maintaining the tool performance. Using other than the genuine paper filter may cause smokes or ignition.

Installing dust bag

Use the dust stopper when installing dust bag. Be careful not to take the upper side for the lower side by mistake because they are different each other.

▶ Fig.11: 1. Upper side of dust stopper 2. Lower side of dust stopper

1. Insert the protrusion of the dust bag into the groove in the dust stopper as shown in the figure.

▶ Fig.12: 1. Dust stopper 2. Groove 3. Dust bag

2. There is no distinction between the upper and lower sides of the dust bag. You may insert its protrusion of either side into the lower groove of the dust stopper.

▶ Fig.13: 1. Lower groove

3. Overlap the frame of dust stopper with that of the dust bag.

▶ Fig.14

4. Place the dust stopper and the dust bag together into the cleaner cavity in the same direction of arrow on the dust stopper. Insert them all the way into the slots in the cleaner cavity.

▶ Fig.15: 1. Cleaner cavity

5. Place the entire cloth part of the dust bag inside the cleaner itself.

▶ Fig.16

6. Close the front cover completely.

▶ Fig.17: 1. Front cover

Installing the paper filter

Use the dust stopper also when installing paper filter. Be careful not to take the upper side for the lower side by mistake because they are different each other.

► **Fig.18:** 1. Upper side of dust stopper 2. Lower side of dust stopper

1. Unfold the entrance of the paper filter before setting it on the dust stopper.
► **Fig.19**
2. Insert the protrusion of the paper filter into the groove in the dust stopper as shown in the figure.
► **Fig.20:** 1. Dust stopper 2. Groove 3. Paper filter
3. There is no distinction between the upper and lower sides of the paper filter. You may insert its protrusion of any side into the lower groove of the dust stopper.
► **Fig.21:** 1. Lower groove
4. Overlap the frame of dust stopper with that of the paper filter.
► **Fig.22**
5. Place the dust stopper and the paper filter together into the cleaner cavity in the same direction of arrow on the dust stopper. Insert them all the way into the slots in the cleaner cavity.
► **Fig.23**
6. Place the entire container part of the paper filter inside the tool itself.
► **Fig.24**
7. Close the front cover completely.

OPERATION

To connect attachments, such as nozzle, twist and insert the attachment securely. To disconnect the attachments, twist and extract it.

► **Fig.25**

Cleaning (Suction)

Nozzle

Attach the nozzle to clean off tables, desks, furniture, etc. The nozzle slips on easily.

► **Fig.26:** 1. Nozzle

Nozzle + Extension wand (Straight pipe)

The extension wand fits in between the nozzle and the cleaner itself. This arrangement is convenient for cleaning a floor in a standing position.

► **Fig.27:** 1. Cleaner body 2. Extension wand
3. Nozzle

Corner nozzle

Fit on the corner nozzle for cleaning corners and crevices of a car or furniture.

► **Fig.28:** 1. Corner nozzle 2. Cleaner body

Corner nozzle +Extension wand (Straight pipe)

In tight quarters where the cleaner itself cannot squeeze in, or in high places hard to reach, use this arrangement.

► **Fig.29:** 1. Corner nozzle 2. Extension wand
3. Cleaner body

Cleaning without nozzle

You can pick up powder and dust without nozzle.

► **Fig.30**

MAINTENANCE

CAUTION: Always be sure that the tool is switched off and the battery cartridge is removed before attempting to perform inspection or maintenance.

NOTICE: Never use gasoline, benzine, thinner, alcohol or the like. Discoloration, deformation or cracks may result.

After use

NOTICE: Putting the cleaner against the wall without any other support cause the cleaner to fall down and be damaged.

► **Fig.31**

Cleaning

From time to time wipe off the outside (cleaner body) of the cleaner using a cloth dampened in soapy water. Clean out also the suction opening, dust bag/paper filter mounting area and the dust stopper.

► **Fig.32**

Wash the dust bag in soapy water when it is clogged with dust and the cleaner power becomes weak. Dry it out thoroughly before use. An insufficiently dried filter may cause poor suction and shorten the service life of the motor.

► **Fig.33**

NOTE: Paper filter is a throw-away type.

When the sponge filter is clogged with dust, remove it from the cleaner and then wipe it off or wash in water.

Removing and installing the sponge filter

CAUTION: After cleaning sponge filter, be sure to install it on the cleaner. If washed in water, dry it up before installing. An insufficiently dried sponge filter may shorten the service life of the motor.

To remove the sponge filter, remove the dust bag or paper filter and then pinch and take it out.

► **Fig.34:** 1. Sponge filter

Press in the whole edge of the sponge filter against the recessed wall inside the dust bag/paper filter mounting area.

► **Fig.35:** 1. Recessed wall

Wall mount for cordless cleaner

Optional accessory

NOTE: The screw to mount the holder is not included. Prepare a screw which fits with the material to screw into.

Attach the wall mount for cordless cleaner to a hard wooden wall, beam or column, where the wall mount for cordless cleaner can be firmly secured. Always be sure that the wall mount for cordless cleaner is securely attached before hanging the cleaner.

► **Fig.36:** 1. Wall mount for cordless cleaner

CAUTION: Do not hang the cleaner to the wall mount violently or hang other appliances than the cleaner.

Troubleshooting

Before asking for repairs, check the following points.

Symptom	Area to be investigated	Fixing method
Weak suction power	Is dust bag or paper filter full of dust ?	Empty dust bag or paper filter.
	Is dust bag clogged ?	Dust down or wash the dust bag.
	Is paper filter clogged ?	Replace paper filter.
	Is the battery cartridge discharged?	Charge the battery cartridge.
Not working	Is the battery cartridge discharged?	Charge the battery cartridge.

NOTICE: Do not attempt to repair cleaner by yourself.

To maintain product SAFETY and RELIABILITY, repairs, any other maintenance or adjustment should be performed by Makita Authorized or Factory Service Centers, always using Makita replacement parts.

OPTIONAL ACCESSORIES

CAUTION: These accessories or attachments are recommended for use with your Makita tool specified in this manual. The use of any other accessories or attachments might present a risk of injury to persons. Only use accessory or attachment for its stated purpose.

If you need any assistance for more details regarding these accessories, ask your local Makita Service Center.

- Extension wand (Straight pipe)
- Nozzle
- Nozzle for carpet
- Shelf brush
- Corner nozzle
- Round brush
- Flexible hose
- Paper filter
- Wall mount for cordless cleaner
- Cyclone attachment
- Makita genuine battery and charger

NOTE: Some items in the list may be included in the tool package as standard accessories. They may differ from country to country.

Cyclone attachment

- **Fig.37:** 1. Straight pipe 2. Cyclone attachment
3. Suction inlet

About the cyclone attachment

Using the cleaner with the cyclone attachment installed reduces the amount of dust that enters the dust bag, which helps to prevent the suction force from weakening. In addition, cleaning after use is also simple.

⚠ CAUTION: Always be sure that the tool is switched off and the battery cartridge is removed before carrying out any work on the tool. If the battery cartridge is left inserted, the cleaner may start unexpectedly and result in injury.

⚠ CAUTION: Clean the mesh filter of the cyclone attachment and the dust bag of the cleaner unit when they become clogged. Continued use in the clogged condition may result in heating or smoke.

NOTICE: When the cyclone attachment is attached, do not use the cleaner in the horizontal or upward facing condition. Doing so may cause the mesh filter to become clogged.

NOTICE: Always use the cleaner with the dust bag installed, even when using the cyclone attachment. Using the cleaner without the dust bag installed may result in a motor malfunction.

NOTE: Check that the cyclone attachment, cleaner, and straight pipe are locked properly before use.

NOTE: Empty the dust case of the cyclone attachment and the dust bag of the cleaner when dust has accumulated. Continued use will result in weakened suction force.

Disposing of dust

When dust has accumulated up to the full line of the dust case, follow the procedure below and dispose of the dust.

1. Hold the dust case firmly, press and hold the two buttons, and remove the dust case.

► **Fig.38:** 1. Full line 2. Dust case 3. Button (two locations) 4. Mesh filter

2. Dispose of the dust inside the dust case and remove any dust and powder adhered to the surface of the mesh filter.

3. Insert the dust case all the way until the two buttons lock with a click.

► **Fig.39:** 1. Dust case 2. Button (two locations)

NOTE: Check that the cyclone attachment, cleaner, and straight pipe are all firmly connected before restarting operation.

NOTE: If the suction force does not recover even after disposing of the dust and cleaning the mesh filter, check whether dust has accumulated in the dust bag of the cleaner or clogging has occurred.

Cleaning

When the dust case becomes dirty or the mesh filter is clogged, remove and wash them with water. (Refer to "Disposing of dust" for the removal procedure.)

Dry the parts thoroughly before reinstallation and use.

► **Fig.40:** 1. Dust case 2. Mesh filter

When the mesh filter gets dirty badly, clean it in the following procedures.

1. Turn the mesh filter counterclockwise and remove it while the hooks are unlocked.

► **Fig.41:** 1. Mesh filter 2. Hook

2. Remove the dust on the mesh filter and then wash it with water. After that, dry it thoroughly.

3. Insert the mesh filter into the base while the hooks are aligned with the port. Turn the mesh filter clockwise until the hooks are locked with a click. Make sure that the mesh filter is installed securely.

► **Fig.42:** 1. Mesh filter 2. Hook 3. Port

警告

- 在有人监督或在接受安全操作指导并清楚可能存在的危险后，8岁及以上的儿童以及体力、感觉、心智不健全或原本缺乏经验和相关知识的人员可操作本工具。
- 请勿让儿童玩耍本工具。在无人监督的情况下，请勿让儿童单独进行清洁和保养工作。
- 有关电池的类型信息，请参阅“规格”章节。
- 有关如何拆卸或安装电池的信息，请参阅“安装或拆卸电池组”部分。
- 丢弃电池组时，需将其从工具上卸下并在安全地带进行处理。关于如何处理废弃的电池，请遵循当地法规。
- 如长时间不使用工具，必须将电池从工具内取出。
- 请勿使电池组短路。
- 有关用户维护期间的注意事项的详情，请参阅“维护”章节。

规格

型号:	CL107FD	
集尘能力	使用集尘袋	500 mL
	使用纸滤器	330 mL
持续使用时间 (带电池 BL1016)	1. (常规速度模式)	约25 min
	2. (高速模式)	约12 min
	3. (最大速度模式)	约10 min
长度	960 mm	
额定电压	D.C. 10.8 V - 12 V (最大)	
净重	1.1 - 1.3 kg	

- 生产者保留变更规格不另行通知之权利。
- 规格可能因销往国家之不同而异。
- 重量不含附件，但包含电池组。设备和电池组的最轻和最重组合重量见表格。

适用电池组和充电器

电池组	BL1016 / BL1021B / BL1041B
充电器	DC10SA / DC10SB / DC10WC / DC10WD / DC18RE

- 部分以上所列电池组和充电器是否适用视用户所在地区而异。

⚠警告： 请仅使用以上所列电池组和充电器。使用其他类型的电池组或充电器可能会导致人身伤害和 / 或失火。

符号

以下显示本设备可能会使用的符号。在使用工具之前，请务必理解其含义。



阅读使用说明书。



仅限于欧盟国家

由于本设备中包含有害成分，因此废弃的电气和电子设备、蓄电池和普通电池可能会对环境和人体健康产生负面影响。请勿将电气和电子工具或电池与家庭普通废弃物放在一起处置！

根据欧洲关于废弃电气电子设备、蓄电池和普通电池的指令及其国家层面的修订法案，废弃的电气设备、普通电池和蓄电池应当单独存放并递送至城市垃圾收集点，根据环保法规进行处置。

此规定由标有叉形标志的带轮垃圾桶符号表示。

用途

本工具用于收集干尘。

安全警告

充电式吸尘器使用安全警告

警告：重要事项 使用前请仔细阅读所有的安全警告和所有的说明事项。若不遵循警告和说明事项，可能导致触电、起火和 / 或严重的人身伤害。

1. 勿使本工具淋雨。室内存放。
2. 勿用作玩具。由儿童使用或在其附近使用时，务必注意安全。
3. 仅用作本说明书描述的用途。仅使用制造商推荐的装置。
4. 请勿使用损坏的电池。如果工具因坠落、损坏、置于室外，或落入水中而不能正常工作，请将其送至维修中心。
5. 勿用湿手操作工具。

6. 勿将任何物体置于吸嘴中。吸嘴堵塞时请勿继续使用工具，注意防止灰尘、皮棉、毛发和任何可能阻挡气流的物体堵塞吸嘴。
7. 头发、宽松衣服、手指以及身体所有部位请勿靠近吸嘴和移动的部件。
8. 取出电池前关闭所有控制开关。
9. 清洁楼梯时要特别注意安全。
10. 请勿用本工具吸取汽油等易燃或可燃液体或在易燃或可燃液体附近使用本工具。
11. 仅使用制造商提供的充电器进行充电。
12. 请勿用本工具吸取香烟、火柴或热灰等燃烧或冒烟的物体。
13. 集尘袋和 / 或过滤器未放置到位时请勿使用。
14. 勿在室外对电池充电。
15. 请仅使用制造商指定的充电器进行充电。将适用于某一种类型电池组的充电器用于其他类型的电池组时，可能会导致起火。
16. 电动工具仅可使用专门指定的电池组。使用其他类型的电池组可能会导致人身伤害或起火。
17. 不使用电池组时请将其远离纸夹、硬币、钥匙、钉子、螺丝或其他小型金属物体放置。这些物体可能会使电池端子短路。
18. 使用过度时，电池中可能溢出液体。请避免接触。如果意外接触到电池漏液，请用水冲洗。
19. 不要使用损坏或改装过的电池包或工具。损坏或改装过的电池组可能呈现无法预测的结果，导致着火、爆炸或伤害。
20. 不要将电池包暴露于火或高温中。电池包暴露于火或高于 130 °C 的高温中可能导致爆炸。
21. 遵循所有充电说明。不要在说明书中指定的温度范围之外给电池包或电动工具充电。不正确或在指定的温度范围外充电可能会损坏电池和增加着火的风险。

请保留此说明书。

补充安全规则

本工具供室内使用。

1. 使用前请仔细阅读本说明书和充电器说明书。
2. 请勿吸取以下材料：
 - 高温物体，例如，点燃的香烟或磨削 / 切割金属时产生的火花 / 金属粉末

- 易燃物，例如，汽油、稀释剂、苯、煤油或油漆
- 易爆物体，例如，硝化甘油
- 可燃物，例如，铝、锌、镁、钛、磷或赛璐珞
- 湿土、水、油或类似物质
- 带有锐边的较硬物体，例如，木片、金属、石头、玻璃、铁钉、销钉或刀片
- 易结块粉末，例如，水泥或墨粉
- 导电粉尘，例如，金属或碳
- 细颗粒，例如，水泥灰

否则会导致起火、人身伤害和 / 或财产损失。

3. 若发现有任何异常请立即停止操作。
4. 如果您掉落或碰撞了吸尘器，操作前请仔细检查工具上是否有裂缝或损伤。
5. 勿将工具靠近火炉或其他热源。
6. 勿堵塞吸嘴或通风口。

请保留此说明书。

电池组的重要安全注意事项

1. 在使用电池组之前，请仔细阅读所有的说明以及 (1) 电池充电器，(2) 电池，以及 (3) 使用电池的产品上的警告标记。
2. 切勿拆卸或改装电池组。否则可能引起火灾、过热或爆炸。
3. 如果机器运行时间变得过短，请立即停止使用。否则可能会导致过热、起火甚至爆炸。
4. 如果电解液进入您的眼睛，用清水将其冲洗干净并立即就医。否则可能会导致视力受损。
5. 请勿使电池组短路：
 - (1) 请勿使任何导电材料碰到端子。
 - (2) 避免将电池组与其他金属物品如刀子、硬币等放置在同一容器内。
 - (3) 请勿将电池组置于水中或使其淋雨。电池短路将产生大的电流，导致过热，并可能导致起火甚至击穿。
6. 请勿在温度可能达到或超过 **50°C (122°F)** 的场所存放以及使用工具和电池组。
7. 即使电池组已经严重损坏或完全磨损，也请勿焚烧电池组。电池组会在火中爆炸。

8. 请勿对电池组射钉，或者切削、挤压、抛掷、掉落电池组，又或者用硬物撞击电池组。否则可能引起火灾、过热或爆炸。
9. 请勿使用损坏的电池。
10. 本工具附带的锂离子电池需符合危险品法规要求。

第三方或转运代理等进行商业运输时，应遵循包装和标识方面的特殊要求。有关运输项目的准备作业，咨询危险品方面的专业人士。同时，请遵守可能更为详尽的国家法规。

请使用胶带保护且勿遮掩表面的联络信息，并牢固封装电池，使电池在包装内不可动。

11. 丢弃电池组时，需将其从工具上卸下并在安全地带进行处理。关于如何处理废弃的电池，请遵循当地法规。
12. 仅将电池用于 **Makita (牧田)** 指定的产品。将电池安装至不兼容的产品会导致起火、过热、爆炸或电解液泄漏。
13. 如长时间未使用工具，必须将电池从工具内取出。
14. 使用工具期间以及使用工具之后，电池组温度可能较高易引起灼伤或低温烫伤。处理高温电池组时请小心操作。
15. 在使用工具后请勿立即触碰工具的端子，否则可能引起灼伤。
16. 避免锯屑、灰尘或泥土卡入电池组的端子、孔口和凹槽内。否则可能导致工具或电池组性能下降或故障。
17. 除非工具支持在高压电源线路附近使用，否则请勿在高压电源线路附近使用电池组。否则可能导致工具或电池组故障或失常。
18. 确保电池远离儿童。

请保留此说明书。

⚠️ 小心： 请仅使用 **Makita (牧田)** 原装电池。使用非 **Makita (牧田)** 原装电池或经过改装的电池可能会导致电池爆炸，从而造成火灾、人身伤害或物品受损。同时也会导致牧田工具和充电器的牧田保修服务失效。

保持电池最大使用寿命的提示

1. 在电池组电量完全耗尽前及时充电。发现工具电量低时，请停止工具操作，并给电池组充电。
2. 请勿对已充满电的电池组重新充电。过度充电将缩短电池的使用寿命。
3. 请在10 °C - 40 °C (50 °F - 104 °F) 的室温条件下给电池组充电。请在灼热的电池组冷却后再充电。
4. 不使用电池组时，请将其从工具或充电器上拆除。

功能描述

⚠小心： 调节或检查工具功能之前，请务必关闭工具的电源并取出电池组。

⚠小心： 安装电池时注意勿让手指卡在吸尘机和电池之间（如下图所示）。否则可能会令手指受伤。

► 图片1

安装或拆卸电池组

⚠小心： 安装或拆卸电池组之前，请务必关闭工具电源。

⚠小心： 安装或拆卸电池组时请握紧工具和电池组。否则它们可能从您的手中滑落，导致工具和电池组受损，甚至造成人身伤害。

► 图片2: 1. 红色指示器 2. 按钮 3. 电池组

拆卸电池组时，按下电池组前侧的按钮，同时将电池组从工具中抽出。

安装电池组时，要将电池组上的舌簧与外罩上的凹槽对齐，然后推滑到位。将其完全插入到位，直到锁定并发出咔哒声为止。若能看到图示中的红色指示器，则说明未完全锁紧。

⚠小心： 务必完全装入电池组，直至看不见红色指示器为止。否则，它可能会从工具中意外脱落，从而造成自身或他人受伤。

⚠小心： 请勿强行安装电池组。如果电池组难以插入，可能是插入方法不当。

电池保护系统

本工具配备有电池保护系统。该系统可自动切断电机电源以延长电池寿命。

作业时，如果工具和 / 或电池处于以下情况时工具将会自动停止运转：

过载：

以导致异常高电流的方式操作工具。

在这种情况下，请关闭工具并停止导致工具过载的应用操作。然后开启工具重新启动。

电池电压低：

剩余电池电量过低且工具不运行。如果启动工具，电机再次运行，但将很快停止。在这种情况下，请取下电池并予以充电。

显示电池的剩余电量

仅限带指示灯的电池组

► 图片3: 1. 指示灯
2. CHECK (查看) 按钮

按电池组上的CHECK (查看) 按钮可显示电池剩余电量。指示灯将亮起数秒。

指示灯		剩余电量
点亮	熄灭	
■ ■ ■ ■	□	75%至100%
■ ■ ■ □	□	50%至75%
■ ■ □ □	□	25%至50%
■ □ □ □	□	0%至25%

注： 在不同的使用条件及环境温度下，指示灯所示电量可能与实际情况略有不同。

开关操作

► 图片4: 1. ON (开) / 变速按钮
2. OFF (关) 按钮

要启动吸尘器时，只需按ON (开) / 变速按钮即可。要关闭工具，则请按OFF (关) 按钮。

您可以通过按下ON (开) / 变速按钮分3档变换吸尘器速度。

首次按该按钮工具会进入高速模式，第二次按该按钮会切换为最大速度模式，第三次按该按钮，则会以常规速度运转。重复按此按钮可交替调节工具的高 / 最大 / 常规速度。

点亮照明灯

⚠小心： 请勿直视灯光或光源。

- **图片5：** 1. ON（开） / 变速按钮
2. OFF（关）按钮 3. 照明灯

要打开照明灯时，只需按ON（开） / 变速按钮即可。按OFF（关）按钮即可熄灭照明灯。工具启动期间，照明灯打开。当电池的剩余电量变低时，此灯开始闪烁。

注： 此灯开始闪烁的时间取决于工作场所的温度和电池组的状态。

装配

⚠小心： 对工具进行任何装配操作前，请务必关闭工具电源，并取出电池组。

灰尘处理

⚠小心： 吸尘器中所装灰尘应及时清空，否则会降低吸力。

⚠小心： 务必清除吸尘器内部的灰尘。否则可能会导致过滤器堵塞或电机受损。

⚠小心： 切勿扔掉防尘塞，因为在使用集尘袋或纸滤器时会用到。

⚠小心： 关闭前盖板时，请小心勿夹住手指。

1. 按该按钮以打开前盖板。打开盖板直至听到卡嗒声。

- **图片6：** 1. 前盖板 2. 按钮

2. 同时拉出橙色防尘塞和集尘袋。

- **图片7：** 1. 防尘塞

3. 拆下防尘塞并清空吸尘器内的灰尘。

- **图片8：** 1. 防尘塞

- **图片9**

注： 当强行打开本吸尘器的前盖板超过90°时，它会脱落。如果前盖板脱落，请将其牢固插入到前盖板接头上。

- **图片10：** 1. 前盖板 2. 前盖板接头

集尘袋和纸滤器

使用吸尘器之前，请安装集尘袋或纸滤器。安装集尘袋或纸滤器时，请使用防尘塞。集尘袋可在及时清空后重复使用多次。纸滤器为一次性使用物品。请整个扔掉集满灰尘的纸滤器，而不必清空。

注意： 为防止灰尘进入电机：

- 确保在使用前已安装集尘袋或纸滤器。
- 安装防尘塞和集尘袋或纸滤器时，将防尘塞和集尘袋或纸滤器一起插入凹槽到底。
- 请勿使用已受损或破裂的集尘袋。

否则可能会损坏电机。

注意： 安装纸滤器时，请勿折叠其开口处的纸板。

注意： 切勿扔掉防尘塞，因为在使用集尘袋或纸滤器时必须重复使用。

注意： 用于本吸尘器的纸滤器是保持工具良好性能的重要部件。使用非原装正品纸滤器可能会导致烟雾产生或着火。

安装集尘袋

请在安装集尘袋时使用防尘塞。注意勿搞混防尘塞上侧和下侧，两者有所不同。

- **图片11：** 1. 防尘塞上侧 2. 防尘塞下侧

1. 如图所示，请将集尘袋的凸起部分插入防尘塞的凹槽中。

- **图片12：** 1. 防尘塞 2. 凹槽 3. 集尘袋

2. 集尘袋的上下两侧并无差别。您可将任一侧的凸起部分插入防尘塞的下位凹槽中。

- **图片13：** 1. 下位凹槽

3. 叠合防尘塞的框架和集尘袋的框架。

- **图片14**

4. 按照与防尘塞上的相同的箭头方向将防尘塞和集尘袋一起置入吸尘器内腔中。然后将它们径直插入吸尘器内腔的凹槽中。

- **图片15：** 1. 吸尘器内腔

5. 将集尘袋的整个布袋放入吸尘器内部。

- **图片16**

6. 完全关闭前盖板。

- **图片17：** 1. 前盖板

安装纸滤器

安装纸滤器时也应使用防尘塞。注意勿搞混防尘塞上侧和下侧，两者有所不同。

► **图片18:** 1. 防尘塞上侧 2. 防尘塞下侧

1. 将纸滤器安装至防尘塞之前，请展开其开口部分。

► **图片19**

2. 如图所示，请将纸滤器的凸起部分插入防尘塞的凹槽中。

► **图片20:** 1. 防尘塞 2. 凹槽 3. 纸滤器

3. 纸滤器的上下两侧并无差别。您可将任一侧的凸起部分插入防尘塞的下位凹槽中。

► **图片21:** 1. 下位凹槽

4. 叠合防尘塞的框架和纸滤器的框架。

► **图片22**

5. 按照与防尘塞上的相同的箭头方向将防尘塞和纸滤器一起置入吸尘器内腔中。然后将它们径直插入吸尘器内腔的凹槽中。

► **图片23**

6. 将纸滤器的整个纸袋部分放入工具内部。

► **图片24**

7. 完全关闭前盖板。

操作

安装集尘口等装置时，边转动边插入装置确保牢固连接。取下装置时，边转动边将其取下。

► **图片25**

清洁（吸入部）

集尘口

清洁桌子、办公桌或家具等时须安装集尘口。集尘口可轻松滑动。

► **图片26:** 1. 集尘口

集尘口+伸延杆（直管）

伸延杆位于集尘口和吸尘器之间。方便用户以站立的姿势清洁地板。

► **图片27:** 1. 吸尘器主机 2. 伸延杆
3. 集尘口

角落集尘口

清洁汽车或家具的角落和缝隙时须安装角落集尘口。

► **图片28:** 1. 角落集尘口 2. 吸尘器主机

角落集尘口+伸延杆（直管）

清洁吸尘器无法进入的狭小的空间，或是难以触及的高处，可使用这样的组合。

► **图片29:** 1. 角落集尘口 2. 伸延杆 3. 吸尘器主机

无集尘口清洁

您可以不用集尘口来吸取粉末或灰尘。

► **图片30**

保养

⚠小心： 检查或保养工具之前，请务必关闭工具电源并取出电池组。

注意： 切勿使用汽油、苯、稀释剂、酒精或类似物品清洁工具。否则可能会导致工具变色、变形或出现裂缝。

使用后

注意： 将吸尘器抵在墙壁上而不作任何其他支撑可能会导致吸尘器倾倒并造成损坏。

► **图片31**

清洁

要经常使用蘸有肥皂水的抹布擦除吸尘器外部（吸尘器主机）的灰尘。

并清洁喷嘴、集尘袋 / 纸滤器安装区和防尘塞。

► **图片32**

当灰尘堵塞集尘袋且吸尘器吸力降低时，可用肥皂水清洗集尘袋。待其充分干燥后再使用。未经充分干燥的过滤器可能会降低吸滤性能和电机寿命。

► **图片33**

注： 纸滤器为一次性使用物品。

当海绵过滤器被灰尘堵塞时，请将其从吸尘器上拆下并擦拭干净或用清水清洗。

海绵过滤器的拆卸和安装

⚠️小心：完成海绵过滤器的清洁后，请务必将其安装至吸尘器。如果是用清水清洗，请待其干燥后安装。没有充分干燥的海绵过滤器可能会降低电机寿命。

要拆下海绵过滤器时，请拆下集尘袋或纸滤器，然后捏住过滤器并取出。

► **图片34： 1.** 海绵过滤器

将海绵过滤器的整个边缘按入集尘袋 / 纸滤器内部的凹陷壁面。

► **图片35： 1.** 凹陷壁面

充电式吸尘机的壁挂架

选购附件

注：未提供安装支架的螺丝。请自行准备适合拧入该材料的螺丝。

将充电式吸尘机的壁挂架安装到可以牢牢将其固定的硬质木墙、梁或柱子上。挂置吸尘机前，务必确保充电式吸尘机的壁挂架已安装牢固。

► **图片36： 1.** 充电式吸尘机的壁挂架

⚠️小心：将吸尘机挂至壁挂架时，请勿用力过猛，也不可悬挂吸尘机之外的其他电器。

故障排除

在请求维修前，请检查以下要点。

症状	检查区域	解决方法
吸力降低	集尘袋或纸滤器是否集满灰尘？	清空集尘袋和纸滤器。
	集尘袋是否被堵塞？	清除灰尘或清洗集尘袋。
	纸滤器是否被堵塞？	更换纸滤器。
	电池组是否已放电？	给电池组充电。
不工作	电池组是否已放电？	给电池组充电。

注意：请勿自行修理吸尘器。

为了保证产品的安全与可靠性，维修、任何其他的维修保养或调节需由Makita（牧田）授权的或工厂维修服务中心完成。务必使用Makita（牧田）的替换部件。

选购附件

⚠️小心：这些附件或装置专用于本说明书所列的Makita（牧田）工具。如使用其他厂牌附件或装置，可能导致人身伤害。仅可将附件或装置用于规定目的。

如您需要了解更多关于这些选购附件的信息，请咨询当地的Makita（牧田）维修服务中心。

- 伸延杆（直管）
- 集尘口
- 地毯清洁专用集尘口
- 货架刷
- 角落集尘口
- 圆刷
- 软管

- 纸滤器
- 充电式吸尘机的壁挂架
- 气旋组件
- Makita（牧田）原装电池和充电器

注：本列表表中的一些部件可能作为标准配件包含于工具包装内。它们可能因销往国家之不同而异。

气旋组件

► **图片37:** 1. 直管 2. 气旋组件 3. 吸气口

关于气旋组件

使用安装有气旋组件的吸尘器可减少进入集尘袋内的灰尘量，由此可避免吸尘器吸力的下降。此外，气旋组件使用后，也十分易于清洁。

⚠️小心： 对工具进行任何装配操作前，请务必关闭工具电源并取出电池组。若电池组保留在工具内，吸尘器可能会意外启动，从而造成人员伤害。

⚠️小心： 当吸尘器的气旋组件滤网和集尘袋阻塞时，应对其进行清洁。若任由其阻塞并继续使用可能会导致吸尘器过热或冒烟。

注意： 吸尘器安装气旋组件后，请勿沿水平方向或将其朝向上方使用。否则可能导致滤网阻塞。

注意： 即便使用气旋组件，也必须始终对吸尘器安装集尘袋。使用未安装集尘袋的吸尘器可能导致电机故障。

注： 使用前请检查气旋组件、吸尘器和直管是否正确锁定。

注： 当气旋组件的集尘盒和吸尘器的集尘袋有灰尘积聚时，请将其清空。继续使用将导致吸力下降。

灰尘处理

当灰尘积聚量达到集尘盒的满载标线时，请按照以下步骤处理灰尘。

1. 将集尘盒抓紧，然后按住两个按钮将集尘盒拆除。

► **图片38:** 1. 满载标线 2. 集尘盒 3. 按钮（两处） 4. 滤网

2. 处理集尘盒内的灰尘，然后清除粘附在滤网表面的灰尘和粉末。

3. 将集尘盒径直插入底部直至听到咔哒声确认两个按钮锁定为止。

► **图片39:** 1. 集尘盒 2. 按钮（两处）

注： 重新开始操作前，请检查气旋组件、吸尘器和直管是否已全部连接牢固。

注： 在处理灰尘并清洁滤网之后，若吸力仍未恢复，请检查吸尘器集尘袋是否有灰尘积聚或者是否阻塞。

清洁

若集尘盒脏污或者滤网阻塞，请清除阻塞物并用水清洗。（请参见“灰尘处理”章节了解清除步骤。）

重新安装和使用部件之前，请将部件彻底干燥。

► **图片40:** 1. 集尘盒 2. 滤网

若滤网污染严重，请按以下步骤清洁滤网。

1. 沿逆时针旋转滤网，卡钩解锁时拆卸滤网。

► **图片41:** 1. 滤网 2. 卡钩

2. 清除滤网上的灰尘，然后用水清洗滤网。随后将其彻底干燥。

3. 将卡钩与端口对齐，与此同时将滤网插入基座内。顺时针旋转滤网直至听到咔哒声确认卡钩锁定为止。确保滤网安装牢固。

► **图片42:** 1. 滤网 2. 卡钩 3. 端口

PERINGATAN

- Peralatan ini dapat digunakan oleh anak-anak berumur 8 tahun ke atas dan orang dengan kekurangan kemampuan fisik, indra, atau jiwa atau kurangnya pengalaman dan pengetahuan jika mereka diawasi atau panduan yang berkaitan dengan penggunaan peralatan secara aman dan pemahaman bahaya yang dapat terjadi.
- Jangan membiarkan anak-anak bermain dengan peralatan ini. Pembersihan dan perawatan pengguna tidak boleh dilakukan oleh anak-anak tanpa pengawasan.
- Lihat bagian "SPESIFIKASI" untuk mengetahui referensi tipe baterai.
- Lihat bagian "Memasang atau melepas kartrid baterai" untuk mengetahui cara mengganti atau memasang baterai.
- Ketika membuang kartrid baterai, lepaskan dari mesin dan buang ke tempat yang aman. Patuhi peraturan setempat yang berkaitan dengan pembuangan baterai.
- Jika mesin tidak digunakan dalam jangka waktu yang lama, baterai harus dilepas dari mesin.
- Jangan menghubungkan terminal kartrid baterai.
- Lihat bagian "PEMELIHARAAN" untuk mengetahui detail tindakan pencegahan yang sesuai selama perawatan oleh pengguna.

SPESIFIKASI

Model:		CL107FD
Kapasitas	dengan kantong debu	500 mL
	dengan saringan kertas	330 mL
Penggunaan secara terus menerus (dengan baterai BL1016)	1 (Mode kecepatan normal)	Sekitar. 25 min
	2 (Mode kecepatan tinggi)	Sekitar. 12 min
	3 (Mode kecepatan maks)	Sekitar. 10 min
Panjang keseluruhan		960 mm
Tegangan terukur		D.C. 10,8 V - 12 V maks
Berat bersih		1,1 - 1,3 kg

- Karena kesinambungan program penelitian dan pengembangan kami, spesifikasi yang disebutkan di sini dapat berubah tanpa pemberitahuan.
- Spesifikasi dapat berbeda dari satu negara ke negara lainnya.
- Berat tidak termasuk aksesoris selain kartrid baterai. Berat gabungan paling ringan dan paling berat dari peralatan dan kartrid baterai ditampilkan dalam tabel.

Kartrid dan pengisi daya baterai yang dapat digunakan

Kartrid baterai	BL1016 / BL1021B / BL1041B
Pengisi daya	DC10SA / DC10SB / DC10WC / DC10WD / DC18RE

- Beberapa kartrid baterai dan pengisi daya yang tercantum di atas mungkin tidak tersedia, tergantung wilayah tempat tinggal Anda.

⚠ PERINGATAN: Hanya gunakan kartrid dan pengisi daya baterai yang tercantum di atas. Penggunaan kartrid dan pengisi daya baterai lain dapat menimbulkan risiko cedera dan/atau kebakaran.

Simbol

Berikut ini adalah simbol-simbol yang dapat digunakan pada peralatan ini. Pastikan Anda memahami arti masing-masing simbol sebelum menggunakan peralatan.



Baca petunjuk penggunaan.



Hanya untuk negara-negara UE
Akibat adanya komponen berbahaya dalam peralatan, limbah peralatan listrik dan elektronik, aki dan baterai dapat memiliki dampak negatif pada lingkungan dan kesehatan manusia.
Jangan buang peralatan listrik dan elektronik atau baterai bersama limbah rumah tangga!
Sesuai dengan Petunjuk Eropa tentang limbah peralatan listrik dan elektronik dan tentang aki dan baterai serta limbah aki dan baterai, serta penyesuaiannya terhadap undang-undang nasional, limbah peralatan listrik, baterai dan aki harus disimpan secara terpisah dan dikirim ke tempat pengumpulan terpisah untuk sampah kota, beroperasi sesuai dengan peraturan tentang perlindungan lingkungan.
Hal ini ditunjukkan dengan simbol tempat sampah bersilang yang ditempatkan pada peralatan.

Penggunaan

Mesin ini digunakan untuk membersihkan debu kering.

PERINGATAN KESELAMATAN

Peringatan keselamatan pembersih tanpa kabel

⚠️ PERINGATAN: PENTING BACALAH semua peringatan keselamatan dan semua petunjuk **SEBELUM MENGGUNAKAN DENGAN SAKSAMA.** Kelalaian mematuhi peringatan dan petunjuk dapat menyebabkan sengatan listrik, kebakaran, dan/atau cedera serius.

1. **Jangan membiarkan alat kehujanan. Simpan di dalam ruangan.**
2. **Jangan jadikan alat ini sebagai mainan. Perhatikan dengan saksama saat digunakan oleh anak-anak atau dekat dengan mereka.**
3. **Gunakan hanya sebagaimana dijelaskan dalam buku panduan ini. Gunakan hanya peralatan tambahan yang direkomendasikan produsen.**
4. **Jangan digunakan dengan baterai yang rusak. Jika peralatan tidak bekerja dengan semestinya, terjatuh, rusak, tertinggal di luar, atau terjatuh ke dalam air, kembalikan peralatan ke pusat servis.**

5. **Jangan menggunakan peralatan dengan tangan yang basah.**
6. **Jangan menaruh benda apa pun di dalam bukaan. Jangan digunakan saat bukaan terhalang; bersihkan dari debu, benang, rambut, dan apa pun yang dapat mengurangi aliran udara.**
7. **Jauhkan rambut, pakaian yang longgar, jari, dan semua bagian tubuh dari bukaan dan bagian yang bergerak.**
8. **Matikan semua kontrol sebelum melepas baterai.**
9. **Berhati-hatilah saat membersihkan lantai.**
10. **Jangan digunakan untuk membersihkan cairan yang mudah terbakar, seperti bensin, atau digunakan di area di mana terdapat cairan tersebut.**
11. **Hanya gunakan pengisi daya yang disertakan oleh produsen untuk mengisi daya.**
12. **Jangan membersihkan apa pun yang bisa terbakar atau berasap, seperti rokok, abu atau abu panas.**
13. **Jangan menggunakan tanpa kantong debu dan/atau saringan pada tempatnya.**
14. **Jangan mengisi daya baterai di luar ruangan.**
15. **Isi ulang baterai hanya dengan pengisi daya yang ditentukan oleh pabrikannya.** Pengisi daya yang cocok untuk satu jenis paket baterai dapat menimbulkan risiko kebakaran ketika digunakan untuk paket baterai yang lain.
16. **Gunakan mesin listrik hanya dengan paket baterai yang telah ditentukan secara khusus.** Penggunaan paket baterai lain dapat menimbulkan risiko cedera dan kebakaran.
17. **Ketika paket baterai tidak digunakan, jauhkan dari benda logam lain, seperti penjepit kertas, uang logam, kunci, paku, sekrup, atau benda logam kecil lainnya, yang dapat menghubungkan satu terminal ke terminal lain.**
18. **Pemakaian yang salah, dapat menyebabkan keluarnya cairan dari baterai; hindari kontak. Jika terjadi kontak secara tidak sengaja, bilas dengan air.**
19. **Jangan menggunakan paket baterai atau mesin yang sudah rusak atau telah diubah.** Baterai yang rusak atau telah diubah dapat menyebabkan hal-hal yang tidak dapat diprediksi yang dapat menyebabkan kebakaran, ledakan atau risiko cedera.
20. **Jangan membiarkan paket baterai atau mesin dekat dengan api atau suhu yang berlebihan.** Paparan api atau suhu di atas 130 °C dapat menyebabkan ledakan.
21. **Ikuti semua petunjuk pengisian daya dan jangan mengisi daya paket baterai atau mesin di luar rentang suhu yang ditentukan di panduan.** Mengisi daya secara tidak tepat atau pada suhu di luar rentang yang ditentukan dapat merusak baterai dan meningkatkan risiko kebakaran.

SIMPAN PETUNJUK INI.

ATURAN KESELAMATAN TAMBAHAN

Peralatan ini ditujukan untuk penggunaan rumah tangga.

1. Baca petunjuk penggunaan dan petunjuk instruksi pengisian daya ini dengan hati-hati sebelum menggunakan alat.
2. Jangan membersihkan bahan-bahan berikut:
 - Bahan panas seperti rokok atau percikan/debu logam yang ditimbulkan dari proses gerinda/pemotongan logam
 - Bahan-bahan mudah terbakar seperti bensin, tiner, kerosin atau cat
 - Bahan-bahan mudah meledak seperti nitrogliserin
 - Bahan-bahan yang dapat menyulut api seperti Aluminium, seng, magnesium, titanium, fosforus atau seluloid
 - Debu basah, air, minyak atau sejenisnya
 - Potongan keras dengan tepian tajam seperti serpihan kayu, logam, batu, kaca, paku, pin atau pisau cukur
 - Bubuk menggumpal seperti semen atau toner
 - Debu konduktif seperti logam atau karbon
 - Partikel halus seperti debu betonTindakan tersebut dapat menyebabkan kebakaran, cedera dan/atau kerusakan properti.
3. Segera hentikan pengoperasian segera jika Anda melihat adanya sesuatu yang tidak wajar.
4. Jika Anda menjatuhkan atau menabrakkan pembersih, periksa secara hati-hati apakah terdapat keretakan atau kerusakan sebelum pengoperasian.
5. Jangan digunakan dekat dengan kompor atau sumber panas lainnya.
6. Jangan menghalangi lubang asupan atau lubang ventilasi.

SIMPAN PETUNJUK INI.

Petunjuk keselamatan penting untuk kartrid baterai

1. Sebelum menggunakan kartrid baterai, bacalah semua petunjuk dan penandaan pada (1) pengisi daya baterai, (2) baterai, dan (3) produk yang menggunakan baterai.
2. Jangan membongkar atau memodifikasi kartrid baterai. Tindakan tersebut dapat menimbulkan api, panas berlebih, atau ledakan.
3. Jika waktu beroperasinya menjadi sangat singkat, segera hentikan penggunaan. Hal tersebut dapat menimbulkan risiko panas berlebih, kemungkinan mengalami luka bakar atau bahkan terjadi ledakan.
4. Jika elektrolit mengenai mata Anda, basuh dengan air bersih dan segera cari pertolongan medis. Hal tersebut dapat mengakibatkan hilangnya kemampuan penglihatan Anda.

5. Jangan menghubungkan terminal kartrid baterai:
 - (1) Jangan menyentuh terminal dengan bahan penghantar listrik apa pun.
 - (2) Hindari menyimpan kartrid baterai pada wadah yang berisi benda logam lain seperti paku, uang logam, dsb.
 - (3) Jangan membiarkan baterai terkena air atau kehujanan.Hubungan singkat baterai dapat menyebabkan aliran arus listrik yang besar, panas berlebih, kemungkinan mengalami luka bakar dan bahkan kerusakan pada baterai.
6. Jangan menyimpan dan menggunakan mesin dan kartrid baterai pada lokasi dengan suhu yang bisa mencapai atau melebihi 50 °C (122 °F).
7. Jangan membuang kartrid baterai di tempat pembakaran sampah walaupun benar-benar rusak atau tidak bisa digunakan sama sekali. Kartrid baterai bisa meledak jika terbakar.
8. Jangan memaku, memotong, menghancurkan, melempar, menjatuhkan kartrid baterai, atau memukulkan benda keras ke kartrid baterai. Tindakan tersebut dapat menimbulkan api, panas berlebih, atau ledakan.
9. Jangan menggunakan baterai yang rusak.
10. Baterai litium-ion yang disertakan sesuai dengan persyaratan Perundangan Makanan Berbahaya.

Harus ada pengawasan untuk pengangkutan komersial misalnya oleh pihak ketiga, ekspeditor, persyaratan khusus terhadap pengemasan dan pelabelan.

Diperlukan adanya konsultasi dengan ahli mengenai material berbahaya untuk persiapan barang yang akan dikirimkan. Perhatikan pula peraturan nasional yang lebih terperinci yang mungkin ada.Beri perekat atau tutupi bagian yang terbuka dan kemasi baterai dengan cara yang tidak akan menimbulkan pergeseran dalam pengemasan.
11. Ketika membuang kartrid baterai, lepaskan dari mesin dan buang ke tempat yang aman. Patuhi peraturan setempat yang berkaitan dengan pembuangan baterai.
12. Gunakan baterai hanya dengan produk yang ditentukan oleh Makita. Memasang baterai pada produk yang tidak sesuai dapat menyebabkan kebakaran, kelebihan panas, ledakan, atau kebocoran elektrolit.
13. Jika mesin tidak digunakan dalam jangka waktu yang lama, baterai harus dilepas dari mesin.
14. Selama dan setelah digunakan, kartrid baterai mungkin menyimpan panas yang dapat menyebabkan luka bakar atau luka bakar suhu rendah. Perhatikan cara memegang kartrid baterai yang masih panas.
15. Jangan langsung menyentuh terminal mesin setelah digunakan karena suhunya mungkin cukup panas untuk menyebabkan luka bakar.

16. **Jangan biarkan serpihan, debu, atau tanah menempel di terminal, lubang, dan alur kartrid baterai.** Hal tersebut dapat mengakibatkan kinerja buruk atau kerusakan mesin maupun kartrid baterai.
17. **Kecuali jika mesin mendukung penggunaan di dekat saluran listrik bertegangan tinggi, jangan gunakan kartrid baterai di dekat saluran listrik bertegangan tinggi.** Hal tersebut dapat mengakibatkan kegagalan fungsi atau kerusakan mesin maupun kartrid baterai.
18. **Jauhkan baterai dari jangkauan anak-anak.**

SIMPAN PETUNJUK INI.

⚠️PERHATIAN: Gunakan baterai asli Makita. Penggunaan baterai Makita yang tidak asli, atau baterai yang sudah diubah, akan mengakibatkan baterai mudah terbakar, cedera dan kerusakan. Akan menghilangkan garansi Makita pada pengisi daya dan alat Makita.

Tip untuk menjaga agar umur pemakaian baterai maksimum

1. **Isi ulang kartrid baterai sebelum habis sama sekali. Selalu hentikan penggunaan mesin dan ganti kartrid baterai jika Anda melihat bahwa mesin kurang tenaga.**
2. **Jangan pernah mengisi ulang kartrid baterai yang sudah diisi penuh. Pengisian ulang yang berlebih memperpendek umur pemakaian baterai.**
3. **Isi ulang kartrid baterai pada suhu ruangan 10 °C - 40 °C. Biarkan kartrid baterai yang panas menjadi dingin terlebih dahulu sebelum diisi ulang.**
4. **Saat kartrid baterai tidak digunakan, lepaskan dari mesin atau pengisi daya.**

DESKRIPSI FUNGSI

⚠️PERHATIAN: Selalu pastikan bahwa mesin dimatikan dan kartrid baterai dilepas sebelum menyatel atau memeriksa kerja mesin.

⚠️PERHATIAN: Berhati-hatilah agar jari Anda tidak terjepit antara pembersih dan baterai seperti yang ditunjukkan pada diagram saat memasang baterai. Jari yang terjepit dapat menyebabkan cedera.

► **Gbr.1**

Memasang atau melepas baterai

⚠️PERHATIAN: Selalu matikan mesin sebelum memasang atau melepas kartrid baterai.

⚠️PERHATIAN: Pegang mesin dan kartrid baterai kuat-kuat saat memasang atau melepas kartrid baterai. Kelalaian untuk memegang mesin dan kartrid baterai kuat-kuat bisa menyebabkan keduanya tergelincir dari tangan Anda dan mengakibatkan kerusakan pada mesin dan kartrid baterai dan cedera diri.

- **Gbr.2:** 1. Indikator berwarna merah 2. Tombol 3. Kartrid baterai

Untuk melepas kartrid baterai, geser dari mesin sambil menggeser tombol pada bagian depan kartrid.

Untuk memasang kartrid baterai, sejajarkan lidah kartrid baterai dengan alur pada rumah dan masukkan ke dalam tempatnya. Masukkan seluruhnya sampai terkunci pada tempatnya dan terdengar bunyi klik kecil. Jika Anda bisa melihat indikator berwarna merah seperti yang ditunjukkan pada gambar, ini artinya kartrid baterai tidak terkunci sempurna.

⚠️PERHATIAN: Selalu pasang kartrid baterai sepenuhnya sampai indikator berwarna merah tidak terlihat. Jika tidak, bisa terlepas dari mesin secara tidak sengaja, menyebabkan luka pada Anda atau orang di sekitar Anda.

⚠️PERHATIAN: Jangan memasang kartrid baterai secara paksa. Jika kartrid tidak bergeser dengan mudah, berarti tidak dimasukkan dengan benar.

Sistem perlindungan baterai

Mesin ini dilengkapi dengan sistem perlindungan baterai. Sistem ini memutus daya ke motor secara otomatis untuk memperpanjang umur pemakaian baterai.

Mesin akan berhenti saat penggunaan saat mesin dan/atau baterai berada dalam salah satu kondisi berikut ini:

Kelebihan beban:

Mesin dijalankan dengan cara yang menyebabkannya menarik arus tinggi yang tidak normal. Untuk situasi ini, matikan mesin dan hentikan pekerjaan yang menyebabkan mesin mengalami kelebihan beban. Kemudian, nyalakan mesin untuk kembali memulai pekerjaan.

Tegangan baterai rendah:

Kapasitas baterai yang tersisa terlalu rendah dan mesin tidak akan beroperasi. Jika Anda menyalakan mesin, motor akan menyala lagi tetapi segera berhenti. Untuk situasi ini, lepas dan isi ulang baterai.

Mengindikasikan kapasitas baterai yang tersisa

Hanya untuk kartrid baterai dengan indikator

► **Gbr.3:** 1. Lampu indikator 2. Tombol pemeriksaan

Tekan tombol pemeriksaan pada kartrid baterai untuk melihat kapasitas baterai yang tersisa. Lampu indikator menyala selama beberapa detik.

Lampu indikator		Kapasitas yang tersisa
Menyala	Mati	
		75% hingga 100%
		50% hingga 75%
		25% hingga 50%
		0% hingga 25%

CATATAN: Tergantung kondisi penggunaan dan suhu lingkungannya, penunjukkan mungkin saja sedikit berbeda dari kapasitas sebenarnya.

Kerja sakelar

► **Gbr.4:** 1. Tombol pengubah kecepatan/ON
2. Tombol OFF (Mati)

Untuk memulai pengoperasian, cukup tekan tombol pengubah kecepatan/ON. Untuk mematikan, tekan tombol OFF.

Anda dapat mengubah kecepatan pengoperasian melalui tiga langkah dengan menekan tombol pengubah kecepatan/ON.

Menekan pertama pada tombol ini adalah untuk mode kecepatan tinggi, tekanan kedua untuk mode kecepatan maksimal dan tekanan ketiga untuk kecepatan normal. Setiap menekan pada tombol ini akan mengulangi siklus kecepatan tinggi/maksimal/normal secara bergantian.

Menyalakan lampu

PERHATIAN: Jangan melihat lampu atau sumber cahaya secara langsung.

► **Gbr.5:** 1. Tombol pengubah kecepatan/ON
2. Tombol OFF (Mati) 3. Lampu

Untuk menyalakan lampu, tekan tombol pengubah kecepatan/ON. Tekan tombol OFF untuk mematikan lampu. Selama mesin dijalankan, lampu menyala. Saat kapasitas baterai yang tersisa lemah, lampu mulai berkedip.

CATATAN: Dalam kondisi tersebut, di mana lampu mulai berkedip, tergantung pada suhu di tempat kerja dan kondisi kartrid baterai.

PERAKITAN

PERHATIAN: Selalu pastikan bahwa mesin dimatikan dan kartrid baterai dilepas sebelum melakukan pekerjaan apa pun pada mesin.

Membuang debu

PERHATIAN: Kosongkan pembersih sebelum terlalu penuh dengan debu, atau tekanan pengisap akan melemah.

PERHATIAN: Pastikan untuk mengosongkan bagian dalam pembersih dari debu. Kelalaian dalam melakukannya dapat menyebabkan saringan tersumbat atau motor menjadi rusak.

PERHATIAN: Jangan membuang penahan debu karena harus digunakan kapan pun saat kantong debu atau saringan kertas digunakan.

PERHATIAN: Saat menutup penutup depan, berhati-hatilah agar jari Anda tidak terjepit.

1. Tekan tombol untuk membuka penutup depan. Buka penutup depan hingga terdengar bunyi klik yang menandakan sudah sepenuhnya terbuka.
► **Gbr.6:** 1. Penutup depan 2. Tombol
2. Tarik secara bersamaan penahan debu berwarna jingga dan kantong debu.
► **Gbr.7:** 1. Penahan debu
3. Lepaskan penahan debu dan kosongkan pembersih.
► **Gbr.8:** 1. Penahan debu
► **Gbr.9**

CATATAN: Pembersih dibuat sedemikian rupa sehingga penutup depan akan terlepas saat memaksa penutup depan terbuka pada sudut lebih dari 90°. Jika penutup depan terlepas, masukkan ke dalam sambungan penutup depan pada tempatnya.

- **Gbr.10:** 1. Penutup depan 2. Sambungan penutup depan

Kantong debu dan saringan kertas

Pasang kantong debu atau saringan kertas sebelum menggunakan pembersih. Gunakan penahan debu saat memasang kantong debu atau saringan kertas. Kantong debu dapat digunakan secara berulang kali dengan membersihkannya. Saringan debu adalah tipe pakai-buang. Buang keseluruhan saringan kertas tanpa mengosongkannya saat sudah terisi penuh.

PEMBERITAHUAN: Untuk mencegah debu masuk ke dalam motor:

- Pastikan kantong debu atau saringan kertas telah terpasang sebelum digunakan.
- Masukkan penahan debu bersamaan dengan kantong debu atau saringan kertas seluruhnya ke dalam celah saat memasang keduanya.
- Jangan menggunakan kantong yang rusak atau sobek.

Jika tidak, motor bisa rusak.

PEMBERITAHUAN: Jangan melipat papan saat memasang saringan kertas.

PEMBERITAHUAN: Jangan membuang penahan debu karena harus digunakan secara berulang kali kapan pun saat kantong debu atau saringan kertas digunakan.

PEMBERITAHUAN: Saringan kertas untuk pembersih adalah komponen yang penting untuk menjaga kinerja mesin. Menggunakan saringan kertas palsu dapat menyebabkan asap atau terbakar.

Memasang kantong debu

Gunakan penahan debu saat memasang kantong debu. Berhati-hatilah untuk tidak memasang sisi bagian atas untuk sisi bagian bawah karena kedua sisi tersebut berbeda satu sama lain.

► **Gbr.11:** 1. Sisi bagian atas penahan debu 2. Sisi bagian bawah penahan debu

1. Masukkan tonjolan dari kantong debu ke dalam alur di penahan debu seperti ditunjukkan pada gambar.
► **Gbr.12:** 1. Penahan debu 2. Alur 3. Kantong debu

2. Tidak ada perbedaan antara sisi bagian atas dan bagian bawah kantong debu. Anda dapat memasukkan tonjolan salah satu sisi ke dalam alur bagian bawah pada penahan debu.

► **Gbr.13:** 1. Alur bagian bawah

3. Sesuaikan rangka penahan debu dengan kantong debu.

► **Gbr.14**

4. Tempatkan penahan debu dan kantong debu secara bersamaan ke dalam lubang pembersih searah dengan tanda panah pada penahan debu. Masukkan seluruhnya ke dalam celah di lubang pembersih.

► **Gbr.15:** 1. Lubang pembersih

5. Pasang keseluruhan bagian kain pada kantong debu di dalam pembersih.

► **Gbr.16**

6. Tutup penutup depan sepenuhnya.

► **Gbr.17:** 1. Penutup depan

Memasang saringan kertas

Gunakan juga penahan debu saat memasang saringan kertas. Berhati-hatilah untuk tidak memasang sisi bagian atas untuk sisi bagian bawah karena kedua sisi tersebut berbeda satu sama lain.

► **Gbr.18:** 1. Sisi bagian atas penahan debu 2. Sisi bagian bawah penahan debu

1. Buka lipatan saringan kertas sebelum memasangnya pada penahan debu.

► **Gbr.19**

2. Masukkan tonjolan dari saringan kertas ke dalam alur di penahan debu seperti ditunjukkan pada gambar.

► **Gbr.20:** 1. Penahan debu 2. Alur 3. Saringan kertas

3. Tidak ada perbedaan antara sisi bagian atas dan bagian bawah saringan kertas. Anda dapat memasukkan tonjolan dari sisi mana pun ke dalam alur bawah pada penahan debu.

► **Gbr.21:** 1. Alur bagian bawah

4. Sesuaikan rangka penahan debu dengan saringan kertas.

► **Gbr.22**

5. Tempatkan penahan debu dan saringan kertas secara bersamaan ke dalam lubang pembersih searah dengan tanda panah pada penahan debu. Masukkan seluruhnya ke dalam celah di lubang pembersih.

► **Gbr.23**

6. Pasang keseluruhan bagian wadah pada saringan kertas di dalam mesin.

► **Gbr.24**

7. Tutup penutup depan sepenuhnya.

PENGUNAAN

Untuk menyambungkan perangkat tambahan seperti nosel, putar dan masukkan perangkat tambahan dengan kuat. Untuk melepas perangkat tambahan, putar dan lepaskan.

► **Gbr.25**

Pembersihan (Pengisap)

Nosel

Pasangkan nosel untuk membersihkan meja, kursi, furnitur, dsb. Nosel akan mudah bergerak.

► **Gbr.26:** 1. Nosel

Nosel + pipa sambungan (Pipa lurus)

Pipa sambungan terpasang antara nosel dan pembersih. Susunan ini nyaman untuk membersihkan lantai dengan posisi berdiri.

► **Gbr.27:** 1. Badan pembersih 2. Pipa sambungan 3. Nosel

Nosel sudut

Pasangkan nosel sudut untuk membersihkan sudut dan celah-celah pada mobil atau furnitur.

► **Gbr.28:** 1. Nosel sudut 2. Badan pembersih

Nosel sudut + pipa sambungan (Pipa lurus)

Di ruang yang sempit di mana pembersih tidak dapat menjangkaunya, atau di tempat tinggi yang sulit dijangkau, gunakan susunan ini.

► **Gbr.29:** 1. Nosel sudut 2. Pipa sambungan
3. Badan pembersih

Membersihkan tanpa nosel

Anda dapat membersihkan serbuk dan debu tanpa nosel.

► **Gbr.30**

PERAWATAN

PERHATIAN: Selalu pastikan bahwa mesin dimatikan dan kartrid baterai dilepas sebelum melakukan pemeriksaan atau perawatan.

PEMBERITAHUAN: Jangan sekali-kali menggunakan bensin, tiner, alkohol, atau bahan sejenisnya. Penggunaan bahan demikian dapat menyebabkan perubahan warna, perubahan bentuk atau timbulnya retakan.

Setelah penggunaan

PEMBERITAHUAN: Meletakkan pembersih terhadap dinding tanpa penyangga lain dapat menyebabkan pembersih jatuh dan rusak.

► **Gbr.31**

Pembersihan

Bersihkan bagian luar (badan pembersih) mesin dari waktu ke waktu dengan menggunakan kain yang dicelup air sabun.

Bersihkan juga lubang pengisap, area pemasangan kantong debu/saringan kertas dan penahan debu.

► **Gbr.32**

Cuci kantong debu dengan air sabun jika tersumbat oleh debu dan daya pembersih mulai melemah. Keringkan secara menyeluruh sebelum digunakan. Saringan yang tidak cukup kering dapat menyebabkan pengisapan menjadi buruk dan memperpendek usia pakai motor.

► **Gbr.33**

CATATAN: Saringan debu adalah tipe pakai-buang.

Saat saringan spons dipenuhi dengan debu, lepaskan dari pembersih dan kemudian bersihkan atau cuci dengan air.

Melepas dan memasang saringan spons

PERHATIAN: Setelah membersihkan saringan spons, pastikan untuk memasangnya pada pembersih. Jika dicuci dengan air, keringkan terlebih dahulu sebelum dipasang. Saringan spons yang tidak cukup kering dapat memperpendek usia pakai motor.

Untuk melepas saringan spons, lepaskan kantong debu atau saringan kertas, kemudian jepit dan keluarkan.

► **Gbr.34:** 1. Saringan spons

Tekan seluruh tepi dari saringan spons terhadap dinding ceruk di dalam area pemasangan kantong debu/saringan kertas.

► **Gbr.35:** 1. Dinding ceruk

Gantungan dinding untuk pembersih tanpa kabel

Pilihan Aksesori

CATATAN: Sekrup untuk memasang penahan tidak disertakan. Siapkan sekrup yang cocok dengan bahan dinding.

Sambung gantungan dinding untuk pembersih tanpa kabel ke dinding, tiang, atau pilar kayu keras, di mana gantungan dinding untuk pembersih tanpa kabel dapat dipasang dengan kuat. Selalu pastikan bahwa gantungan dinding untuk pembersih tanpa kabel terpasang dengan kuat sebelum menggantung pembersih.

► **Gbr.36:** 1. Gantungan dinding untuk pembersih tanpa kabel

PERHATIAN: Jangan gantung pembersih pada gantungan dinding dengan paksa atau menggantung peralatan lain selain pembersih.

Pemecahan masalah

Sebelum meminta perbaikan, periksa poin-poin berikut.

Gejala	Bagian yang harus diperiksa	Metode perbaikan
Daya pengisapan lemah	Apakah kantong debu atau saringan kertas penuh dengan debu?	Kosongkan kantong debu atau saringan kertas.
	Apakah kantong debu tersumbat?	Buang debu atau cuci kantong debu.
	Apakah saringan kertas tersumbat?	Ganti saringan kertas.
	Apakah daya kartrid baterai habis?	Isi ulang kartrid baterai.
Tidak bekerja	Apakah daya kartrid baterai habis?	Isi ulang kartrid baterai.

PEMBERITAHUAN: Jangan mencoba memperbaiki pembersih oleh Anda sendiri.

Untuk menjaga KEAMANAN dan KEANDALAN mesin, perbaikan, perawatan atau penyetelan lainnya harus dilakukan oleh Pusat Layanan Resmi atau Pabrik Makita; selalu gunakan suku cadang pengganti buatan Makita.

AKSESORI PILIHAN

PERHATIAN: Dianjurkan untuk menggunakan aksesoris atau perangkat tambahan ini dengan mesin Makita Anda yang ditentukan dalam petunjuk ini. Penggunaan aksesoris atau perangkat tambahan lain bisa menyebabkan risiko cedera pada manusia. Hanya gunakan aksesoris atau perangkat tambahan sesuai dengan peruntukannya.

Jika Anda memerlukan bantuan lebih rinci berkenaan dengan aksesoris ini, tanyakan pada Pusat Layanan Makita terdekat.

- Pipa sambungan (Pipa lurus)
- Nosel
- Nosel untuk karpet
- Sikat rak
- Nosel sudut
- Sikat bulat
- Selang fleksibel
- Saringan kertas
- Gantungan dinding untuk pembersih tanpa kabel
- Perangkat tambahan siklon
- Baterai dan pengisi daya asli buatan Makita

CATATAN: Beberapa item dalam daftar tersebut mungkin sudah termasuk dalam paket mesin sebagai aksesoris standar. Hal tersebut dapat berbeda dari satu negara ke negara lainnya.

Perangkat tambahan siklon

- **Gbr.37:** 1. Pipa lurus 2. Perangkat tambahan siklon
3. Tempat masuk pengisap

Tentang perangkat tambahan siklon

Menggunakan pembersih dengan perangkat tambahan siklon yang terpasang dapat mengurangi jumlah debu yang masuk ke kantong debu, sehingga membantu mencegah melemahnya daya pengisapan. Selain itu, langkah pembersihan setelah penggunaan juga sederhana.

PERHATIAN: Selalu pastikan bahwa mesin dimatikan dan kartrid baterai dilepas sebelum melakukan pekerjaan apa pun pada mesin. Jika kartrid baterai dibiarkan terpasang, pembersih dapat menyala secara tak terduga dan mengakibatkan cedera.

PERHATIAN: Bersihkan saringan jala dari perangkat tambahan siklon dan kantong debu dari unit pembersih apabila tersumbat. Penggunaan yang terus menerus dalam kondisi tersumbat dapat menyebabkan panas berlebih atau asap.

PEMBERITAHUAN: Ketika perangkat tambahan siklon terpasang, jangan gunakan pembersih dalam posisi horizontal atau menghadap ke atas. Tindakan tersebut dapat menyebabkan tersumbatnya saringan jala.

PEMBERITAHUAN: Selalu gunakan pembersih dengan kantong debu yang terpasang, meskipun ketika menggunakan perangkat tambahan siklon. Menggunakan pembersih tanpa memasang kantong debu dapat mengakibatkan kegagalan fungsi motor.

CATATAN: Pastikan perangkat tambahan siklon, pembersih, dan pipa lurus telah terkunci dengan benar sebelum digunakan.

CATATAN: Kosongkan wadah debu pada perangkat tambahan siklon dan kantong debu pada pembersih apabila tersumbat. Penggunaan yang terus menerus dapat mengakibatkan melemahnya daya pengisapan.

Membuang debu

Ketika debu yang terkumpul melebihi garis batas pada wadah debu, ikuti prosedur di bawah ini dan buang debu.

1. Tahan wadah debu kuat-kuat, tekan dan tahan dua tombol, lalu lepaskan wadah debu.
► **Gbr.38:** 1. Garis batas 2. Wadah debu 3. Tombol (dua lokasi) 4. Saringan jala
2. Buang debu di dalam wadah debu dan hilangkan debu atau serbuk yang menempel pada permukaan saringan jala.
3. Masukkan wadah debu sepenuhnya hingga dua tombol terkunci dan berbunyi klik.
► **Gbr.39:** 1. Wadah debu 2. Tombol (dua lokasi)

CATATAN: Pastikan perangkat tambahan siklon, pembersih, dan pipa lurus telah tersambung dengan kuat sebelum memulai ulang pengoperasian.

CATATAN: Jika daya pengisapan tidak kembali normal meskipun Anda sudah membuang debu dan membersihkan saringan jala, periksa apakah ada debu yang terkumpul dalam kantong debu pembersih atau terjadi penyumbatan.

Pembersihan

Ketika wadah debu kotor atau saringan jala tersumbat, lepaskan dan cuci dengan air. (Baca "Membuang debu" untuk mengetahui prosedur pelepasan.)

Keringkan komponen seluruhnya sebelum memasang dan menggunakannya kembali.

- **Gbr.40:** 1. Wadah debu 2. Saringan jala

Ketika saringan jala sangat kotor, bersihkan dengan mengikuti prosedur berikut.

1. Putar saringan jala berlawanan arah jarum jam, lalu lepaskan saat kaitnya terbuka pengunciannya.
► **Gbr.41:** 1. Saringan jala 2. Kait
2. Hilangkan debu pada saringan jala, lalu cuci dengan air. Setelah itu, keringkan seluruhnya.
3. Masukkan saringan jala ke dalam dudukan saat kaitnya sejajar dengan port. Putar saringan jala searah jarum jam hingga kaitnya terkunci dan berbunyi klik. Pastikan mata saringan jala mesin terpasang dengan kencang.
► **Gbr.42:** 1. Saringan jala 2. Kait 3. Port

CẢNH BÁO

- Trẻ em trong độ tuổi từ 8 tuổi trở lên và người suy giảm thể chất, giác quan hoặc khả năng trí óc hoặc thiếu kinh nghiệm và kiến thức có thể sử dụng thiết bị này nếu họ được giám sát hoặc hướng dẫn sử dụng thiết bị an toàn và hiểu được những tác hại nguy hiểm khi sử dụng.
- Trẻ em không được nghịch thiết bị. Không nên để trẻ em thực hiện vệ sinh và bảo dưỡng mà không có sự giám sát.
- Xem chương “THÔNG SỐ KỸ THUẬT” để biết loại tham chiếu dành cho pin.
- Xem phần “Lắp hoặc tháo hộp pin” để biết cách tháo hoặc lắp pin.
- Khi vứt bỏ hộp pin, hãy tháo chúng khỏi dụng cụ và thải bỏ ở nơi an toàn. Phải tuân thủ theo các quy định của địa phương liên quan đến việc thải bỏ pin.
- Nếu dụng cụ không được sử dụng trong một thời gian dài, cần phải tháo pin ra khỏi dụng cụ.
- Không để hộp pin ở tình trạng đoản mạch.
- Xem chương “BẢO DƯỠNG” để biết các chi tiết thích hợp về các biện pháp phòng ngừa trong quá trình bảo dưỡng của người dùng.

THÔNG SỐ KỸ THUẬT

Kiểu máy:		CL107FD
Dung lượng	với một túi chứa bụi	500 mL
	với bộ lọc giấy	330 mL
Tiếp tục sử dụng (với pin BL1016)	1 (Chế độ tốc độ bình thường)	Khoảng 25 min
	2 (Chế độ tốc độ cao)	Khoảng 12 min
	3 (Chế độ tốc độ tối đa)	Khoảng 10 min
Chiều dài tổng thể		960 mm
Điện áp định mức		10,8 V một chiều - tối đa 12 V
Khối lượng tịnh		1,1 - 1,3 kg

- Do chương trình nghiên cứu và phát triển liên tục của chúng tôi nên các thông số kỹ thuật trong đây có thể thay đổi mà không cần thông báo trước.
- Các thông số kỹ thuật có thể thay đổi tùy theo từng quốc gia.
- Khối lượng không bao gồm các phụ kiện, ngoại trừ (các) hộp pin. Khối lượng kết hợp nhẹ nhất, nặng nhất của thiết bị và (các) hộp pin được thể hiện như trong bảng.

Hộp pin và sạc pin có thể áp dụng

Hộp pin	BL1016 / BL1021B / BL1041B
Bộ sạc	DC10SA / DC10SB / DC10WC / DC10WD / DC18RE

- Một số hộp pin và sạc pin được nêu trong danh sách ở trên có thể không khả dụng tùy thuộc vào khu vực cư trú của bạn.

⚠ CẢNH BÁO: Chỉ sử dụng hộp pin và sạc pin được nêu trong danh sách ở trên. Việc sử dụng bất cứ hộp pin và sạc pin nào khác có thể gây ra thương tích và/hoặc hỏa hoạn.

Ký hiệu

Phần dưới đây cho biết các ký hiệu có thể được dùng cho thiết bị. Đảm bảo rằng bạn hiểu rõ ý nghĩa của các ký hiệu này trước khi sử dụng.



Đọc tài liệu hướng dẫn.



Ni-MH
Li-ion

Chỉ dành cho các quốc gia EU
Do có các thành phần nguy hiểm bên trong thiết bị điện và điện tử, ắc quy và pin thải bỏ nên có thể có tác động không tốt đến môi trường và sức khỏe con người.
Không vứt bỏ các thiết bị điện và điện tử hoặc pin với rác thải sinh hoạt!
Theo Chỉ thị của Châu Âu về thiết bị điện và điện tử thải bỏ và về pin và ắc quy và pin và ắc quy thải bỏ, cũng như sự thích ứng của chúng với luật pháp quốc gia, các thiết bị điện, pin và ắc quy thải phải được cất giữ riêng biệt và chuyển đến một điểm thu gom rác thải đô thị riêng, hoạt động theo các quy định về bảo vệ môi trường. Điều này được biểu thị bằng biểu tượng thùng rác có bánh xe gạch chéo được đặt trên thiết bị.

Mục đích sử dụng

Dụng cụ này được dùng để gom bụi khô.

CẢNH BÁO AN TOÀN

Cảnh báo an toàn cho máy hút bụi chạy pin

⚠ CẢNH BÁO: LƯU Ý ĐỌC KỸ tất cả các cảnh báo an toàn và các hướng dẫn TRƯỚC KHI SỬ DỤNG. Việc không tuân theo các cảnh báo và hướng dẫn có thể dẫn đến điện giật, hỏa hoạn và/hoặc thương tích nghiêm trọng.

1. Không được tiếp xúc với mưa. Cất giữ trong nhà.
2. Không được phép sử dụng thiết bị như là đồ chơi. Cần chú ý kỹ khi sử dụng bởi hoặc gần trẻ em.
3. Chỉ sử dụng theo mô tả trong sách hướng dẫn này. Chỉ sử dụng các phụ tùng được khuyến nghị của nhà sản xuất.
4. Không sử dụng khi pin đã hỏng. Nếu thiết bị hoạt động không đúng cách, bị rơi, bị hư hỏng, để ngoài trời, hoặc bị rơi vào nước, hãy đưa về trung tâm bảo hành.
5. Không sử dụng thiết bị khi tay ướt.
6. Không đưa bất cứ vật gì vào trong miệng máy. Không sử dụng khi miệng máy bị kẹt; giữ máy khỏi bụi, xơ vải, tóc hay bất cứ thứ gì có thể làm giảm lưu lượng dòng khí.
7. Giữ cho tóc, quần áo rộng, ngón tay, và tất cả các bộ phận của cơ thể tránh xa phần miệng máy và các bộ phận chuyển động.
8. Tắt tất cả điều khiển trước khi tháo pin.

9. Sử dụng cẩn thận khi làm sạch trên các bậc thang.
10. Không sử dụng để hút chất lỏng để bắt lửa hoặc dễ cháy như xăng, hoặc sử dụng trong các khu vực có thể có chúng.
11. Chỉ sử dụng bộ sạc được cung cấp bởi nhà sản xuất để sạc.
12. Không hút bất cứ thứ gì đang cháy hoặc bốc khói, như thuốc lá, diêm, hoặc tro nóng.
13. Không sử dụng khi không có túi chứa bụi và/hoặc các bộ lọc đúng vị trí.
14. Không sạc pin ở ngoài trời.
15. Chỉ sạc pin lại với bộ sạc do nhà sản xuất quy định. Bộ sạc phù hợp với một loại bộ pin này có thể gây ra nguy cơ hỏa hoạn khi được dùng cho một bộ pin khác.
16. Chỉ sử dụng các dụng cụ máy với các bộ pin được quy định cụ thể. Việc sử dụng bất cứ bộ pin nào khác có thể gây ra thương tích và hỏa hoạn.
17. Khi không sử dụng (bộ) pin, hãy giữ tránh xa các đồ vật khác bằng kim loại, chẳng hạn như kẹp giấy, tiền xu, chìa khóa, đinh, ốc vít hoặc các vật nhỏ bằng kim loại mà có thể làm nối tất các đầu cực pin.
18. Trong điều kiện sử dụng quá mức, pin có thể bị cháy nước; hãy tránh tiếp xúc. Nếu vô tình tiếp xúc với pin bị cháy nước, hãy rửa sạch bằng nước.
19. Không sử dụng bộ pin hoặc dụng cụ bị hư hỏng hoặc đã bị sửa đổi. Pin đã bị hư hỏng hoặc đã bị sửa đổi có thể hành động theo cách không thể đoán trước dẫn đến cháy, nổ hoặc nguy cơ chấn thương.
20. Không để bộ pin hoặc dụng cụ tiếp xúc với lửa hoặc nhiệt độ quá cao. Tiếp xúc với lửa hoặc nhiệt độ trên 130 °C có thể gây ra cháy nổ.
21. Làm theo tất cả các hướng dẫn sạc pin và không được sạc bộ pin hoặc dụng cụ vượt quá giới hạn nhiệt độ quy định trong hướng dẫn. Sạc pin không đúng hoặc ở nhiệt độ vượt giới hạn nhiệt độ có thể gây hư hỏng cho pin và làm tăng nguy cơ cháy.

LƯU GIỮ CÁC HƯỚNG DẪN NÀY.

CÁC QUY ĐỊNH AN TOÀN BỔ SUNG

Thiết bị này chỉ dùng trong gia đình.

1. Đọc kỹ tài liệu hướng dẫn này và tài liệu hướng dẫn sạc pin trước khi sử dụng.
2. Không hút những vật chất sau:
 - Những vật nóng như mẩu thuốc lá, hoặc bụi tia lửa/kim loại sinh ra do nghiền/cắt kim loại
 - Những vật chất dễ cháy như xăng, dung môi, ét xăng, dầu hỏa hoặc sơn
 - Những vật chất dễ cháy nổ như nitro glycerin
 - Những vật chất dễ bắt lửa như nhôm, kẽm, magiê, titan, phot pho hoặc nhựa

- Đắt ướt, nước, dầu hoặc những chất tương tự
- Những mảnh cứng với cạnh sắc nhọn, như dăm gỗ, kim loại, đá, kính, móng tay, móng chân hoặc dao cạo
- Bột đồng cục lại như xi măng hoặc mực
- Bụi dẫn điện như kim loại hoặc các-bon
- Hạt mịn như bụi bê tông

Những hành động như vậy có thể gây ra cháy, thương tích và/hoặc thiệt hại tài sản.

3. Ngừng vận hành ngay lập tức nếu bạn nhận thấy bất cứ điều gì bất thường.
4. Nếu bạn làm rơi hoặc va đập máy, hãy kiểm tra cẩn thận xem máy hút bụi có bị nứt hoặc bị hư hỏng hay không trước khi vận hành.
5. Không mang lại gần bếp lò hoặc các nguồn nhiệt khác.
6. Không chặn lỗ ra vào và các lỗ thông hơi.

LƯU GIỮ CÁC HƯỚNG DẪN NÀY.

Hướng dẫn quan trọng về an toàn dành cho hộp pin

1. Trước khi sử dụng hộp pin, hãy đọc kỹ tất cả các hướng dẫn và dấu hiệu cảnh báo trên (1) bộ sạc pin, (2) pin và (3) sản phẩm sử dụng pin.
2. Không tháo rời hoặc làm thay đổi hộp pin. Việc này có thể dẫn đến hỏa hoạn, quá nhiệt hoặc nổ.
3. Nếu thời gian vận hành ngắn hơn quá mức, hãy ngừng vận hành ngay lập tức. Điều này có thể dẫn đến rùi ro quá nhiệt, có thể gây bỏng và thậm chí là nổ.
4. Nếu chất điện phân rơi vào mắt, hãy rửa sạch bằng nước sạch và đến cơ sở y tế ngay lập tức. Chất này có thể khiến bạn giảm thị lực.
5. Không để hộp pin ở tình trạng đoản mạch:
 - (1) Không chạm vào cực pin bằng vật liệu dẫn điện.
 - (2) Tránh cất giữ hộp pin trong hộp có các vật kim loại khác như đinh, tiền xu, v.v...
 - (3) Không được để hộp pin tiếp xúc với nước hoặc mưa.

Đoản mạch pin có thể gây ra dòng điện lớn, quá nhiệt, có thể gây bỏng và thậm chí là hỏng hóc.
6. Không cất giữ cũng như sử dụng dụng cụ và hộp pin ở nơi nhiệt độ có thể lên tới hoặc vượt quá 50 °C (122 °F).
7. Không đốt hộp pin ngay cả khi hộp pin đã bị hư hại nặng hoặc hư hỏng hoàn toàn. Hộp pin có thể nổ khi tiếp xúc với lửa.
8. Không đóng đinh, cắt, nghiền nát, ném, làm rơi hộp pin hoặc va vật cứng vào hộp pin. Làm như thế có thể dẫn đến hỏa hoạn, quá nhiệt hoặc nổ.
9. Không sử dụng pin đã hỏng.

10. Pin nén lithium-ion là đối tượng có yêu cầu bắt buộc theo Luật Hàng hoá Nguy hiểm. Đối với vận tải thương mại, ví dụ như vận tải do bên thứ ba, đại lý giao nhận, thì yêu cầu đặc biệt về đóng gói và nhãn ghi phải được giám sát. Để chuẩn bị cho mặt hàng cần vận chuyển, cần phải tham khảo ý kiến chuyên gia về vật liệu nguy hiểm. Nếu được, vui lòng tuân thủ các quy định quốc gia chi tiết hơn. Buộc phải niêm phong các tiếp điểm mở và đóng gói pin theo cách để nó không thể di chuyển trong bao bì.
11. Khi vứt bỏ hộp pin, hãy tháo chúng khỏi dụng cụ và thải bỏ ở nơi an toàn. Phải tuân thủ theo các quy định của địa phương liên quan đến việc thải bỏ pin.
12. Chỉ sử dụng pin cho các sản phẩm Makita chỉ định. Lắp pin vào sản phẩm không thích hợp có thể gây ra hỏa hoạn, quá nhiệt, nổ, hoặc rò chất điện phân.
13. Nếu dụng cụ không được sử dụng trong một thời gian dài, cần phải tháo pin ra khỏi dụng cụ.
14. Trong và sau khi sử dụng, hộp pin có thể bị nóng, có thể gây bỏng hoặc bỏng ở nhiệt độ thấp. Chú ý xử lý hộp pin nóng.
15. Không chạm vào điện cực của dụng cụ ngay sau khi sử dụng vì điện cực đủ nóng để gây bỏng.
16. Không để vụn bào, bụi hoặc đất bám vào các điện cực, lỗ và rãnh của hộp pin. Việc này có thể dẫn đến hiệu suất kém hoặc hỏng hóc dụng cụ hay hộp pin.
17. Trừ khi dụng cụ hỗ trợ sử dụng gần đường dây điện cao thế, không sử dụng hộp pin gần đường dây điện cao thế. Việc này có thể dẫn đến trực trặc hoặc hỏng hóc dụng cụ hay hộp pin.
18. Giữ pin tránh xa trẻ em.

LƯU GIỮ CÁC HƯỚNG DẪN NÀY.

⚠ THẬN TRỌNG: Chỉ sử dụng pin Makita chính hãng. Việc sử dụng pin không chính hãng Makita, hoặc pin đã được sửa đổi, có thể dẫn đến nổ pin gây ra cháy, thương tích và thiệt hại cá nhân. Nó cũng sẽ làm mất hiệu lực bảo hành của Makita dành cho dụng cụ của Makita và bộ sạc.

Mẹo duy trì tuổi thọ tối đa cho pin

1. Sạc hộp pin trước khi pin bị xả điện hoàn toàn. Luôn dừng việc vận hành dụng cụ và sạc pin khi bạn nhận thấy công suất dụng cụ bị giảm.
2. Không được phép sạc lại một hộp pin đã được sạc đầy. Sạc quá mức sẽ làm giảm tuổi thọ của pin.
3. Sạc pin ở nhiệt độ phòng 10°C - 40°C. Để cho hộp pin nóng nguội lại dần trước khi sạc pin.
4. Khi không sử dụng hộp pin, hãy tháo hộp pin ra khỏi dụng cụ hoặc bộ sạc.

MÔ TẢ CHỨC NĂNG

⚠ THẬN TRỌNG: Luôn đảm bảo rằng đã tắt dụng cụ và tháo hộp pin ra trước khi thực hiện việc điều chỉnh hoặc kiểm tra chức năng trên dụng cụ.

⚠ THẬN TRỌNG: Cẩn thận để không vướng (các) ngón tay vào giữa máy hút bụi và pin như minh họa trong biểu đồ khi nạp pin. Vướng (các) ngón tay vào có thể gây ra thương tích.

► Hình 1

Lắp hoặc tháo hộp pin

⚠ THẬN TRỌNG: Luôn tắt dụng cụ trước khi lắp hoặc tháo hộp pin.

⚠ THẬN TRỌNG: Giữ dụng cụ và hộp pin thật chắc khi lắp hoặc tháo hộp pin. Không giữ dụng cụ và hộp pin thật chắc có thể làm trượt chúng khỏi tay và làm hư hỏng dụng cụ và hộp pin hoặc gây thương tích cá nhân.

► Hình 2: 1. Chỉ báo màu đỏ 2. Nút 3. Hộp pin

Để tháo hộp pin, vừa trượt pin ra khỏi dụng cụ vừa đẩy trượt nút ở phía trước hộp pin.

Để lắp hộp pin, đặt thẳng hàng phần chốt nhỏ ra của hộp pin vào phần rãnh nằm trên vỏ và trượt hộp pin vào vị trí. Đưa hộp pin vào hết mức cho đến khi chốt khóa vào đúng vị trí với một tiếng cách nhẹ. Nếu bạn có thể nhìn thấy chỉ báo màu đỏ như thể hiện trong hình, điều đó có nghĩa vẫn chưa được khóa hoàn toàn.

⚠ THẬN TRỌNG: Luôn lắp hộp pin khớp hoàn toàn vào vị trí cho đến khi không thể nhìn thấy chỉ báo màu đỏ. Nếu không, hộp pin có thể vô tình rơi ra khỏi dụng cụ, gây thương tích cho bạn hoặc người khác xung quanh.

⚠ THẬN TRỌNG: Không được dùng sức lắp hộp pin. Nếu hộp pin không nhẹ nhàng trượt vào vị trí, có nghĩa là pin vẫn chưa được lắp đúng.

Hệ thống bảo vệ pin

Dụng cụ này được trang bị hệ thống bảo vệ pin. Hệ thống này sẽ tự động ngắt nguồn điện đến động cơ để kéo dài tuổi thọ pin.

Dụng cụ sẽ tự động dừng khi đang vận hành nếu dụng cụ và/hoặc pin ở một trong những trường hợp sau đây:

Quá tải:

Dụng cụ được vận hành theo cách gây ra dòng điện cao bất thường.

Trong trường hợp này, hãy tắt dụng cụ và ngừng ứng dụng làm cho dụng cụ trở nên quá tải. Sau đó bật dụng cụ lên để khởi động lại.

Điện thế pin thấp:







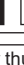
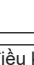
Dung lượng pin còn lại quá thấp và dụng cụ sẽ không hoạt động. Nếu bạn bật dụng cụ, động cơ tiếp tục chạy lại nhưng sẽ sớm ngừng. Trong tình huống này, hãy tháo và sạc pin lại.

Chỉ báo dung lượng pin còn lại

Chỉ dành cho hộp pin có đèn chỉ báo

► Hình 3: 1. Các đèn chỉ báo 2. Nút Check (kiểm tra)

Ấn nút check (kiểm tra) trên hộp pin để chỉ báo dung lượng pin còn lại. Các đèn chỉ báo bật sáng lên trong vài giây.

Các đèn chỉ báo		Dung lượng còn lại
Bật sáng	Tắt	
		75% đến 100%
		50% đến 75%
		25% đến 50%
		0% đến 25%

LƯU Ý: Tùy thuộc vào các điều kiện sử dụng và nhiệt độ xung quanh, việc chỉ báo có thể khác biệt một chút so với dung lượng thực sự.

Hoạt động công tắc

► Hình 4: 1. Nút ON (BẬT)/thay đổi tốc độ 2. Nút OFF (TẮT)

Để khởi động máy hút bụi, chỉ cần nhấn nút ON (BẬT)/thay đổi tốc độ. Để tắt, nhấn nút OFF (TẮT).

Bạn có thể thay đổi tốc độ máy hút bụi trong ba bước bằng cách nhấn nút ON (BẬT)/thay đổi tốc độ.

Nhấn nút này lần đầu sẽ là chế độ tốc độ cao, nhấn lần thứ hai sẽ là chế độ tốc độ tối đa và lần thứ ba là chế độ tốc độ bình thường. Mỗi lần nhấn nút này máy sẽ lặp lại chu kỳ tốc độ cao/tối đa/bình thường.

Bật sáng đèn

⚠ THẬN TRỌNG: Đừng nhìn thẳng trực tiếp vào đèn hoặc nguồn sáng.

► Hình 5: 1. Nút ON (BẬT)/thay đổi tốc độ 2. Nút OFF (TẮT) 3. Đèn

Để bật đèn, chỉ cần nhấn nút ON (BẬT)/thay đổi tốc độ. Nhấn nút OFF (TẮT) để tắt đèn. Khi dụng cụ đang khởi hoạt, đèn sẽ bật.

Khi dung lượng pin còn lại thấp, đèn bắt đầu nhấp nháy.

LƯU Ý: Thời gian khi đèn bắt đầu nhấp nháy sẽ phụ thuộc vào nhiệt độ nơi làm việc và tình trạng hộp pin.

LẮP RÁP

⚠ THẬN TRỌNG: Luôn đảm bảo rằng đã tắt dụng cụ và tháo hộp pin ra trước khi thực hiện bất cứ thao tác nào trên dụng cụ.

Thả bụi

⚠ THẬN TRỌNG: Làm sạch máy hút bụi trước khi máy trở nên quá đầy, hoặc lọc đầu hút yếu.

⚠ THẬN TRỌNG: Đảm bảo đã làm sạch bụi bên trong máy hút bụi. Không làm như vậy có thể khiến cho bộ lọc bị kẹt hoặc động cơ bị hư hỏng.

⚠ THẬN TRỌNG: Không được vứt bộ phận chặn bụi bởi vì bộ phận này nên được sử dụng cùng với túi chứa bụi hoặc bộ lọc giấy.

⚠ THẬN TRỌNG: Khi đóng nắp trước, cẩn thận không để ngón tay bị kẹp.

1. Nhấn nút để mở nắp trước. Mở cho đến khi nghe một tiếng cách cho phép dừng theo chiều thuận tại vị trí đó.

► **Hình6:** 1. Nắp trước 2. Nút

2. Kéo cả bộ phận chặn bụi màu cam lẫn túi chứa bụi ra ngoài cùng một lúc.

► **Hình7:** 1. Bộ phận chặn bụi

3. Tháo bộ phận chặn bụi và làm trống máy hút bụi.

► **Hình8:** 1. Bộ phận chặn bụi

► **Hình9**

LƯU Ý: Máy hút bụi được cấu tạo theo cách mà nắp trước sẽ rơi ra khi cố gắng mở nắp trước với góc lớn hơn 90°. Nếu nắp trước rơi ra, gắn nó vào khớp nối nắp trước đúng vị trí.

► **Hình10:** 1. Nắp trước 2. Khớp nối nắp trước

Túi chứa bụi và bộ lọc giấy

Lắp đặt cả túi chứa bụi và bộ lọc giấy trước khi sử dụng máy hút bụi.

Sử dụng bộ phận chặn bụi khi lắp đặt túi chứa bụi và bộ lọc giấy.

Có thể sử dụng túi chứa bụi nhiều lần liên tục bằng cách vệ sinh thật sạch.

Bộ lọc giấy là loại dùng một lần. Vứt bỏ bộ lọc giấy mà không cần phải làm rỗng khi bộ lọc bị đầy.

CHÚ Ý: Để ngăn ngừa bụi rơi vào trong động cơ:

- Đảm bảo rằng túi chứa bụi hoặc bộ lọc giấy đã được lắp đặt trước khi sử dụng.
- Lắp bộ phận chặn bụi cùng với túi chứa bụi hoặc bộ lọc giấy vào hết trong khe cắm khi lắp đặt chúng.
- Không sử dụng túi bị vỡ hoặc bị rách.

Nếu không động cơ có thể bị hỏng.

CHÚ Ý: Không gấp tấm bìa lúc tấm bìa đang mở khi đang lắp đặt bộ lọc giấy.

CHÚ Ý: Không bao giờ vứt bộ phận chặn bụi bởi vì bộ phận này cần được sử dụng nhiều lần, bất cứ khi nào sử dụng túi chứa bụi hoặc bộ lọc giấy.

CHÚ Ý: Bộ lọc giấy cho máy hút bụi là một bộ phận quan trọng trong việc duy trì hiệu năng dụng cụ. Sử dụng bộ lọc giấy không phải hàng chính hãng có thể gây ra khói hoặc đánh lửa.

Lắp túi chứa bụi

Sử dụng bộ phận chặn bụi khi lắp đặt túi chứa bụi. Cẩn thận để không nhầm lẫn mặt trên với mặt dưới bởi vì chúng khác nhau.

► **Hình11:** 1. Mặt trên của bộ phận chặn bụi 2. Mặt dưới của bộ phận chặn bụi

1. Lắp phần nhô của túi chứa bụi vào rãnh trong bộ phận chặn bụi như thể hiện trong hình.

► **Hình12:** 1. Bộ phận chặn bụi 2. Rãnh 3. Túi chứa bụi

2. Không có sự phân biệt giữa mặt trên và mặt dưới của túi chứa bụi. Bạn có thể lắp phần nhô của mỗi mặt vào trong rãnh dưới của bộ phận chặn bụi.

► **Hình13:** 1. Rãnh dưới

3. Chồng khung của bộ phận chặn bụi lên khung của túi chứa bụi.

► **Hình14**

4. Đặt bộ phận chặn bụi cùng túi chứa bụi vào trong khoang máy hút bụi theo một hướng mũi tên trên bộ phận chặn bụi. Lắp tất cả các bộ phận vào hết trong khe cắm trong khoang máy hút bụi.

► **Hình15:** 1. Khoang máy hút bụi

5. Đặt toàn bộ phần vài của túi chứa bụi vào bên trong máy hút bụi.

► **Hình16**

6. Đóng nắp trước hoàn toàn.

► **Hình17:** 1. Nắp trước

Lắp đặt bộ lọc giấy

Cũng sử dụng bộ phận chặn bụi khi lắp đặt bộ lọc giấy. Cẩn thận để không nhầm lẫn mặt trên với mặt dưới bởi vì chúng khác nhau.

► **Hình18:** 1. Mặt trên của bộ phận chặn bụi 2. Mặt dưới của bộ phận chặn bụi

1. Không gấp đường vào của bộ lọc giấy trước khi cài đặt vào bộ phận chặn bụi.

► **Hình19**

2. Lắp phần nhô của bộ lọc giấy vào rãnh trong bộ phận chặn bụi như thể hiện trong hình.

► **Hình20:** 1. Bộ phận chặn bụi 2. Rãnh 3. Bộ lọc giấy

3. Không có sự phân biệt giữa mặt trên và mặt dưới của bộ lọc giấy. Bạn có thể lắp phần nhô của bất cứ mặt nào vào trong rãnh dưới của bộ phận chặn bụi.

► **Hình21:** 1. Rãnh dưới

4. Chồng khung của bộ phận chặn bụi với khung của bộ lọc giấy.

► **Hình22**

5. Đặt bộ phận chặn bụi và bộ lọc giấy cùng nhau vào trong khoang máy hút bụi theo cùng hướng mũi tên trên bộ phận chặn bụi. Lắp tất cả các bộ phận vào hết trong khe trong khoang máy hút bụi.

► **Hình23**

6. Đặt toàn bộ phần chứa của bộ lọc giấy vào trong dụng cụ.

► **Hình24**

7. Đóng nắp trước hoàn toàn.

VẬN HÀNH

Để nối các phụ kiện như vòi xả, hãy xoắn và lắp phụ kiện thật chắc. Để tháo phụ kiện, xoắn và rút ra.

► **Hình25**

Vệ sinh (Đầu hút)

Vòi xả

Gắn vòi hút để làm sạch bàn, bàn làm việc, đồ nội thất, v.v...Vòi hút trượt rất dễ dàng.

► **Hình26:** 1. Vòi xả

Vòi hút + Ống nối nối dài (Ống thẳng)

Ống nối nối dài khít với vòi hút và máy hút bụi. Việc bố trí này giúp dễ dàng làm sạch sàn nhà ở vị trí đứng.

► **Hình27:** 1. Thân máy hút bụi 2. Ống nối nối dài 3. Vòi xả

Vòi hút góc

Gắn vòi hút góc để làm sạch góc và kẽ hở của xe hơi hoặc đồ nội thất.

► **Hình28:** 1. Vòi hút góc 2. Thân máy hút bụi

Vòi hút góc + Ống nối nối dài (Ống thẳng)

Ở các góc vuông hẹp nơi mà máy hút bụi không thể đi vào, hoặc ở nơi cao khó với tới, hãy sử dụng bố trí này.

► **Hình29:** 1. Vòi hút góc 2. Ống nối nối dài 3. Thân máy hút bụi

Vệ sinh mà không có vòi hút

Bạn có thể hút bột và bụi mà không cần vòi hút.

► **Hình30**

BẢO TRÌ

⚠ THẬN TRỌNG: Hãy luôn chắc chắn rằng dụng cụ đã được tắt và hộp pin đã được tháo ra trước khi cố gắng thực hiện việc kiểm tra hay bảo dưỡng.

CHÚ Ý: Không được phép dùng xăng, ét xăng, dung môi, cồn hoặc hóa chất tương tự. Có thể xảy ra hiện tượng mất màu, biến dạng hoặc nứt vỡ.

Sau khi sử dụng

CHÚ Ý: Đặt máy hút bụi dựa vào tường khi không có để tựa sẽ làm máy hút bụi bị ngã và bị hư.

► **Hình31**

Vệ sinh

Thỉnh thoảng lau sạch bên ngoài (thân máy hút bụi) bằng vải đã làm ẩm bằng nước xà phòng. Vệ sinh cả miệng đầu hút, khu vực gắn túi chứa bụi/bộ lọc giấy và bộ phận chặn bụi.

► **Hình32**

Rửa túi chứa bụi bằng nước xà phòng khi bị tắc nghẽn do bụi và lực máy hút bụi bị yếu đi. Làm khô hoàn toàn trước khi sử dụng. Một bộ lọc chưa khô có thể làm giảm lực hút và rút ngắn tuổi thọ của động cơ.

► **Hình33**

LƯU Ý: Bộ lọc giấy là loại dùng một lần.

Khi bộ lọc bột biển bị tắc nghẽn do bụi, tháo nó ra khỏi máy hút bụi và chùi sạch hoặc rửa bằng nước.

Tháo và lắp đặt bộ lọc bột biển

⚠ THẬN TRỌNG: Sau khi làm sạch bộ lọc bột biển, đảm bảo đã lắp nó vào máy hút bụi. Nếu rửa bằng nước, làm khô bộ lọc trước khi lắp vào. Bộ lọc bột biển chưa khô có thể làm giảm tuổi thọ của động cơ.

Để tháo bộ lọc bột biển, tháo túi chứa bụi hoặc bộ lọc giấy rồi sau đó kẹp chặt để lấy nó ra.

► **Hình34:** 1. Bộ lọc bột biển

Nhấn toàn bộ phần mép của bộ lọc bột biển vào rãnh trên tường bên trong khu vực gắn túi chứa bụi/bộ lọc bằng giấy.

► **Hình35:** 1. Rãnh trên tường

Giá treo tường dành cho máy hút bụi cầm tay hoạt động bằng pin

Phụ kiện tùy chọn

LƯU Ý: Vít gắn vào giá đỡ không được đi kèm.
Chuẩn bị vít phù hợp với vật liệu để gắn chặt vào.

Gắn giá treo tường dành cho máy hút bụi cầm tay hoạt động bằng pin vào tường bằng gỗ, dầm hoặc trụ chống, sao cho giá treo tường dành cho máy hút bụi cầm tay hoạt động bằng pin có thể gắn chặt được. Luôn đảm bảo rằng giá treo tường dành cho máy hút bụi cầm tay hoạt động bằng pin được gắn chặt trước khi treo máy hút bụi.

► **Hình36:** 1. Giá treo tường dành cho máy hút bụi cầm tay hoạt động bằng pin

⚠ THẬN TRỌNG: Không treo máy hút bụi lên tường bằng cách gắn một cách bạo lực hoặc treo các thiết bị khác không phải máy hút bụi.

Xử lý sự cố

Trước khi yêu cầu sửa chữa, kiểm tra những điểm sau.

Hiện tượng	Khu vực cần kiểm tra	Phương pháp sửa
Lực hút yếu	Túi chứa bụi hoặc bộ lọc giấy có đầy bụi không?	Túi chứa bụi hoặc bộ lọc giấy rỗng.
	Túi chứa bụi bị tắc nghẽn phải không?	Phủ bụi hay là rửa túi chứa bụi.
	Bộ lọc giấy bị tắc nghẽn phải không?	Thay thế bộ lọc giấy.
	Có phải hộp pin đã được tháo không?	Sạc pin cho hộp pin.
Không hoạt động	Có phải hộp pin đã được tháo không?	Sạc pin cho hộp pin.

CHÚ Ý: Không được tự mình cố sửa chữa máy hút bụi.

Để đảm bảo ĐỘ AN TOÀN và ĐỘ TIN CẬY của sản phẩm, việc sửa chữa hoặc bất cứ thao tác bảo trì, điều chỉnh nào đều phải được thực hiện bởi các Trung tâm Dịch vụ Nhà máy hoặc Trung tâm được Makita Ủy quyền và luôn sử dụng các phụ tùng thiết bị thay thế của Makita.

PHỤ KIỆN TÙY CHỌN

⚠ THẬN TRỌNG: Các phụ kiện hoặc phụ tùng gắn thêm này được khuyến cáo sử dụng với dụng cụ Makita của bạn theo như quy định trong hướng dẫn này. Việc sử dụng bất cứ phụ kiện hoặc phụ tùng gắn thêm nào khác đều có thể gây ra rủi ro thương tích cho người. Chỉ sử dụng phụ kiện hoặc phụ tùng gắn thêm cho mục đích đã quy định sẵn của chúng.

- Bộ lọc giấy
- Giá treo tường dành cho máy hút bụi cầm tay hoạt động bằng pin
- Phụ kiện ly tâm máy hút bụi
- Pin và bộ sạc chính hãng của Makita

LƯU Ý: Một số mục trong danh sách có thể được bao gồm trong gói dụng cụ làm phụ kiện tiêu chuẩn. Các mục này ở mỗi quốc gia có thể khác nhau.

Nếu bạn cần bất kỳ sự hỗ trợ nào để biết thêm chi tiết về các phụ tùng này, hãy hỏi Trung tâm Dịch vụ của Makita tại địa phương của bạn.

- Ống nối nối dài (Ống thẳng)
- Vòi xả
- Vòi hút dành cho thảm
- Bàn chải dẹt
- Vòi hút góc
- Bàn chải tròn
- Ống mềm

Phụ kiện ly tâm máy hút bụi

- **Hình37:** 1. Ống thẳng 2. Phụ kiện ly tâm máy hút bụi 3. Ngõ vào đầu hút

Về phụ kiện ly tâm máy hút bụi

Sử dụng máy hút bụi có lắp phụ kiện ly tâm máy hút bụi sẽ làm giảm lượng bụi đi vào túi chứa bụi, giúp ngăn lực hút bị yếu đi. Ngoài ra, việc vệ sinh sau khi sử dụng cũng đơn giản.

⚠ THẬN TRỌNG: Luôn đảm bảo rằng đã tắt dụng cụ và tháo hộp pin ra trước khi thực hiện bất cứ thao tác nào trên dụng cụ. Nếu vẫn lắp hộp pin, máy hút bụi có thể khởi động bất ngờ và gây thương tích.

⚠ THẬN TRỌNG: Vệ sinh bộ lọc dạng lưới của phụ kiện ly tâm máy hút bụi và túi chứa bụi của thiết bị máy hút bụi khi các bộ phận này bị tắc. Sử dụng liên tục trong điều kiện bị tắc có thể dẫn đến nóng lên hoặc bốc khói.

CHÚ Ý: Khi gắn kèm phụ kiện ly tâm máy hút bụi, không sử dụng máy hút bụi trong điều kiện nằm ngang hoặc hướng lên trên. Làm như vậy có thể khiến bộ lọc dạng lưới bị tắc.

CHÚ Ý: Luôn sử dụng máy hút bụi có lắp túi chứa bụi, ngay cả khi sử dụng phụ kiện ly tâm máy hút bụi. Sử dụng máy hút bụi không lắp túi chứa bụi có thể gây trực tiếp động cơ.

LƯU Ý: Kiểm tra để đảm bảo phụ kiện ly tâm máy hút bụi, máy hút bụi và ống thẳng được khóa đúng cách trước khi sử dụng.

LƯU Ý: Đổ hết bụi trong hộp chứa bụi của phụ kiện ly tâm máy hút bụi và túi chứa bụi của máy hút bụi khi bụi đã tích tụ. Sử dụng liên tục sẽ khiến lực hút bị yếu đi.

Thải bụi

Khi bụi đã tích tụ đến vạch đầy của hộp chứa bụi, hãy làm theo quy trình bên dưới và thải bỏ bụi.

- Giữ chắc hộp chứa bụi, nhấn giữ hai nút này và tháo hộp chứa bụi ra.
- **Hình38:** 1. Vạch đầy 2. Hộp chứa bụi 3. Nút (hai vị trí) 4. Bộ lọc dạng lưới
- Thải bỏ bụi bên trong hộp chứa bụi đồng thời làm sạch bất kỳ bụi và bột nào dính vào bề mặt của bộ lọc dạng lưới.
 - Lắp hộp chứa bụi vào hết mức cho đến khi hai nút khóa với một tiếng cách.
- **Hình39:** 1. Hộp chứa bụi 2. Nút (hai vị trí)

LƯU Ý: Kiểm tra để đảm bảo phụ kiện ly tâm máy hút bụi, máy hút bụi và ống thẳng đều được kết nối thật chặt trước khi khởi động lại thao tác.

LƯU Ý: Nếu lực hút không phục hồi cả sau khi thải bỏ bụi và vệ sinh bộ lọc dạng lưới, hãy kiểm tra xem bụi có tích tụ trong túi chứa bụi của máy hút bụi hoặc có xảy ra tắc nghẽn hay không.

Vệ sinh

Khi hộp chứa bụi bị bẩn hoặc bộ lọc dạng lưới bị tắc, hãy tháo và rửa các bộ phận này bằng nước. (Tham khảo "Thải bụi" để biết về quy trình tháo ra.)

Làm khô các bộ phận kỹ lưỡng trước khi lắp đặt lại và sử dụng.

- **Hình40:** 1. Hộp chứa bụi 2. Bộ lọc dạng lưới

Khi bộ lọc dạng lưới bị bẩn nặng, hãy vệ sinh bộ lọc theo các quy trình sau đây.

- Xoay bộ lọc dạng lưới ngược chiều kim đồng hồ và tháo ra khi các móc được mở khóa.
- **Hình41:** 1. Bộ lọc dạng lưới 2. Móc
- Làm sạch bụi trên bộ lọc dạng lưới rồi rửa sạch bằng nước. Sau đó, làm khô bộ lọc hoàn toàn.
 - Lắp bộ lọc dạng lưới vào để trong khi các móc được căn chỉnh với công. Xoay bộ lọc dạng lưới theo chiều kim đồng hồ cho đến khi các móc được khóa lại với một tiếng cách. Đảm bảo rằng bộ lọc dạng lưới được lắp chắc chắn.
- **Hình42:** 1. Bộ lọc dạng lưới 2. Móc 3. Công

คำเตือน

- เด็กอายุตั้งแต่ 8 ปีขึ้นไป หรือบุคคลที่มีลักษณะทุพพลภาพ มีปัญหาในเรื่องของสภาพจิต หรือขาดประสบการณ์และความรู้เกี่ยวกับการใช้งาน สามารถใช้งานเครื่องมือนี้ได้ หากได้รับคำแนะนำการใช้งานอย่างปลอดภัยและเข้าใจถึงอันตรายที่อาจเกิดขึ้น
- ไม่ควรให้เด็กเล่นกับเครื่องมือนี้ ไม่ควรให้เด็กทำความสะอาดและซ่อมบำรุงตามลำพังโดยไม่มีผู้ดูแล
- โปรดอ้างอิงบท “ข้อมูลจำเพาะ” สำหรับอ้างอิงประเภทแบตเตอรี่
- โปรดอ้างอิงส่วน “การติดตั้งหรือการถอดกลับแบตเตอรี่” สำหรับวิธีถอดหรือติดตั้งแบตเตอรี่
- เมื่อกำจัดกลับแบตเตอรี่ ให้ถอดกลับแบตเตอรี่ออกจากเครื่องมือและกำจัดในสถานที่ที่ปลอดภัย ปฏิบัติตามข้อบังคับเกี่ยวกับการกำจัดแบตเตอรี่ที่บังคับใช้ในท้องถิ่น
- หากไม่ใช้เครื่องมือเป็นระยะเวลานาน จะต้องถอดแบตเตอรี่ออกจากเครื่องมือ
- อย่าลัดวงจรกลับแบตเตอรี่
- โปรดอ้างอิงบท “การบำรุงรักษา” สำหรับรายละเอียดข้อควรระวังในระหว่างการซ่อมบำรุง

ข้อมูลจำเพาะ

รุ่น:	CL107FD	
ความจุ	มีถู่เก็บฝุ่น	500 mL
	มีกระดาดากรอง	330 mL
ใช้งานต่อเนื่อง (พร้อมแบตเตอรี่ BL1016)	1 (โหมดความเร็วปกติ)	ประมาณ 25 min
	2 (โหมดความเร็วสูง)	ประมาณ 12 min
	3 (โหมดความเร็วสูงสุด)	ประมาณ 10 min
ความยาวโดยรวม	960 mm	
แรงดันไฟฟ้าสูงสุด	D.C. 10.8 V - 12 V max	
น้ำหนักสุทธิ	1.1 - 1.3 kg	

- เนื่องจากการค้นคว้าวิจัยและพัฒนาอย่างต่อเนื่อง ข้อมูลจำเพาะในเอกสารฉบับนี้อาจเปลี่ยนแปลงได้โดยไม่ต้องแจ้งให้ทราบล่วงหน้า
- ข้อมูลจำเพาะอาจแตกต่างกันไปในแต่ละประเทศ
- น้ำหนักไม่รวมอุปกรณ์เสริมยกเว้นถลับแบตเตอรี่ น้ำหนักของเครื่องใช้และถลับแบตเตอรี่รวมกันที่น้อยที่สุดและมากที่สุดแสดงอยู่ในตาราง

ดัลล์แบตเตอร์และเครื่องชาร์จที่ใช้ได้

ดัลล์แบตเตอรี่	BL1016 / BL1021B / BL1041B
เครื่องชาร์จ	DC10SA / DC10SB / DC10WC / DC10WD / DC18RE

- ดัลล์แบตเตอรี่และเครื่องชาร์จบางรายการที่แสดงอยู่ด้านบนอาจไม่มีวางจำหน่ายขึ้นอยู่กับภูมิภาคที่คุณอาศัยอยู่

คำเตือน: ใช้ดัลล์แบตเตอรี่และเครื่องชาร์จที่ระบุไว้ข้างบนเท่านั้น การใช้ดัลล์แบตเตอรี่และเครื่องชาร์จประเภทอื่นอาจก่อให้เกิดความเสี่ยงที่จะได้รับบาดเจ็บและ/หรือเกิดไฟไหม้

สัญลักษณ์

ต่อไปนี้เป็นสัญลักษณ์ที่อาจใช้สำหรับอุปกรณ์ โปรดศึกษาความหมายของสัญลักษณ์ให้เข้าใจก่อนการใช้งาน



อ่านคู่มือการใช้งาน



Ni-MH
Liron

สำหรับประเทศในสหภาพยุโรปเท่านั้น เนื่องจากในอุปกรณ์มีส่วนประกอบอันตราย ชยะจำพวกอุปกรณ์ไฟฟ้าและอิเล็กทรอนิกส์ แบตเตอรี่ และหม้อแบตเตอรี่จึงอาจส่งผลกระทบต่อสิ่งแวดล้อมและสุขภาพของมนุษย์ในเชิงลบ อย่างไรก็ตามการใช้ไฟฟ้าและอิเล็กทรอนิกส์หรือแบตเตอรี่ร่วมกับวัสดุเหลือทิ้งในครัวเรือน! เพื่อให้เป็นไปตามกฎระเบียบของยุโรปว่าด้วยขยะจำพวกอุปกรณ์ไฟฟ้าและอิเล็กทรอนิกส์ และหม้อสะสมไฟฟ้าและแบตเตอรี่ รวมถึงการบังคับใช้ตามกฎหมายภายในประเทศ ควรมีการจัดเก็บขยะจำพวกอุปกรณ์ไฟฟ้า แบตเตอรี่ และหม้อสะสมไฟฟ้าแยกต่างหากและส่งไปยังจุดรับขยะต่างหากในเขตเทศบาลซึ่งมีการดำเนินการตามระเบียบว่าด้วยการดูแลสิ่งแวดล้อม โดยระบุด้วยสัญลักษณ์เส้นคาดขวางรูปถังขยะแบบมีล้อไว้บนอุปกรณ์

จุดประสงค์การใช้งาน

เครื่องมือนี้ใช้สำหรับทำความสะอาดฝุ่น ผง ที่แห้งเท่านั้น

คำเตือนด้านความปลอดภัย

คำเตือนด้านความปลอดภัยของเครื่องดูดฝุ่นไร้สาย

คำเตือน: ข้อควรจำ โปรดอ่านคำเตือนด้านความปลอดภัยและคำแนะนำทั้งหมดอย่างละเอียดก่อนใช้งาน การไม่ปฏิบัติตามคำเตือนและคำแนะนำดังกล่าวอาจส่งผลให้ไฟฟ้าช็อต ไฟไหม้ และ/หรือได้รับบาดเจ็บร้ายแรง

- ห้ามโดนฝน เก็บในที่ร่ม
- ห้ามใช้เป็นของเล่น หากผู้ใช้งานเป็นเด็ก หรือนำไปใช้งานใกล้เด็กต้องได้รับการเอาใจใส่อย่างใกล้ชิด
- ใช้เฉพาะตามที่ได้ระบุไว้ในคู่มือการใช้งานฉบับนี้เท่านั้น ใช้งานตามเอกสารแนบที่ได้รับการแนะนำโดยผู้ผลิตเท่านั้น
- ห้ามใช้แบตเตอรี่ที่เสียหาย หากเครื่องใช้ทำงานได้ไม่ตัวอย่างที่ควรจะเป็น ทำให้อายุสั้นเสียหาย ทั้งไว้กลางแจ้ง หรือหล่นลงน้ำ ให้นำส่งศูนย์บริการ
- ห้ามจับหรือสัมผัสเครื่องใช้ด้วยมือที่เปียก
- ห้ามใส่วัตถุใดๆ ลงในช่อง ห้ามใช้งานขณะมีสิ่งอุดตัน ควรทำให้โล่งเพื่อที่จะได้ดูดฝุ่น ผง เส้นขน และอย่าให้มีสิ่งต่างๆ อื่นอาจทำให้เกิดการไหลของอากาศลดลง
- โปรดระวัง ให้เก็บเส้นผม ขน เสื้อผ้าที่หลวม นิ้วมือ ตลอดจนอวัยวะต่างๆ อยู่ห่างจากช่องและชิ้นส่วนที่มีการเคลื่อนที่
- ปิดการควบคุมทั้งหมดก่อนที่จะถอดแบตเตอรี่
- ใช้งานอย่างระมัดระวังให้มากขณะทำความสะอาดบันได
- ห้ามใช้เครื่องใช้ในการหยิบหรือรับของเหลวที่สามารถก่อให้เกิดเปลวไฟหรือการเผาไหม้ได้ เช่น แก๊สโซลีน หรือ แม้แต่ในบริเวณอันอาจมีของเหลวดังกล่าวอยู่
- ในการชาร์จไฟ ให้ใช้เครื่องชาร์จจากผู้ผลิตเท่านั้น
- ห้ามใช้เครื่องใช้ในการหยิบหรือรับของที่กำลังเผาไหม้หรือมีควัน เช่น บุหรี่ ไม้ขีดไฟ หรือเก้าอี้ที่ยังร้อนอยู่

13. ห้ามใช้งานหากไม่ได้ใส่ถุงเก็บฝุ่น และ/หรือตัวกรองไว้
14. ห้ามชาร์จไฟนอกบ้าน หรือกลางแจ้ง
15. ชาร์จไฟใหม่ด้วยเครื่องชาร์จที่ระบุโดยผู้ผลิตเท่านั้น เครื่องชาร์จที่เหมาะสมสำหรับชุดแบตเตอรี่ประเภทหนึ่ง อาจเสี่ยงที่จะเกิดไฟไหม้หากนำไปใช้กับชุดแบตเตอรี่อีกประเภทหนึ่ง
16. ใช้เครื่องมือไฟฟ้ากับชุดแบตเตอรี่ที่กำหนดมาโดยเฉพาะเท่านั้น การใช้ชุดแบตเตอรี่ประเภทอื่นอาจทำให้เสี่ยงที่จะได้รับบาดเจ็บและเกิดไฟไหม้
17. เมื่อไม่ใช้งานชุดแบตเตอรี่ ให้เก็บห่างจากวัตถุที่เป็นโลหะอื่นๆ เช่น คลิปหนีบกระดาษ เหรียญ กุญแจ กรรไกรตัดเล็บ สกรู หรือวัตถุที่เป็นโลหะขนาดเล็กอื่นๆ ที่สามารถเชื่อมต่อชั่วคราวกับอีกขั้วหนึ่งได้
18. ในกรณีที่ใช้งานไม่ถูกต้อง อาจมีของเหลวไหลออกจากแบตเตอรี่ ให้หลีกเลี่ยงการสัมผัส หากสัมผัสโดนของเหลวโดยไม่ตั้งใจ ให้ล้างออกด้วยน้ำ
19. ห้ามใช้ชุดแบตเตอรี่หรือเครื่องมือที่ชำรุดหรือมีการแก้ไข แบตเตอรี่ที่เสียหายหรือมีการแก้ไขอาจทำให้เกิดสิ่งที่ไม่พึงประสงค์ เช่น ไฟไหม้ ระเบิด หรือเสี่ยงต่อการบาดเจ็บ
20. ห้ามให้ชุดแบตเตอรี่อยู่ใกล้ไฟ หรือบริเวณที่มีอุณหภูมิสูงเกิน หากโดนไฟ หรืออุณหภูมิสูงเกิน 130 °C อาจก่อให้เกิดการระเบิดได้
21. กรณปฏิบัติตามคำแนะนำสำหรับการชาร์จไฟ และห้ามชาร์จแบตเตอรี่หรือเครื่องมือในบริเวณที่มีอุณหภูมินอกเหนือไปจากที่ระบุในคำแนะนำ การชาร์จไฟที่ไม่เหมาะสม หรืออุณหภูมินอกเหนือไปจากช่วงอุณหภูมิที่ระบุในคำแนะนำอาจทำให้แบตเตอรี่เสียหายและเป็นการเพิ่มความเสี่ยงในการเกิดไฟไหม้

ปฏิบัติตามคำแนะนำเหล่านี้

กฎด้านความปลอดภัยเพิ่มเติม

เครื่องใช้เหล่านี้สำหรับใช้ในครัวเรือนเท่านั้น

1. ก่อนการใช้งานกรุณาอ่านคู่มือการใช้งานและคู่มือการใช้งานเครื่องชาร์จไฟอย่างละเอียด
2. ห้ามใช้หยิบ หรือรับสิ่งของดังต่อไปนี้:
 - วัตถุร้อน เช่น บุหรี่ที่มีไฟติดอยู่ หรือประกายไฟ/ละอองโลหะที่เกิดจากการขัด/การตัดโลหะ
 - วัตถุไวไฟ เช่น แก๊สโซลีน ทินเนอร์ น้ำมัน เบนซิน คีโรซีน หรือ สี
 - วัตถุระเบิด เช่น ไนโตรกลีเซอริน

- วัตถุที่สามารถติดไฟได้ เช่น อะลูมิเนียม สังกะสี แมกนีเซียม โทเทเนียม ฟอสฟอรัส หรือ เซลลูโลยด์
 - สิ่งสกปรกและเปียก น้ำ น้ำมัน และอื่น ๆ ในลักษณะเดียวกันนี้
 - ของแข็งที่มีสันคม เช่น เศษไม้ โลหะ หิน เศษแก้ว ตะปู เข็มหรือใบมีดโกน
 - ผงที่สามารถจับตัวเป็นก้อนได้ เช่น ซีเมนต์ หรือผงหมึก
 - ผงฝุ่นที่สามารถนำไฟฟ้าได้ เช่น โลหะ หรือคาร์บอน
 - ฝุ่นละเอียด เช่น ฝุ่นคอนกรีต
3. หยุดทำงานทันทีหากคุณพบว่าสิ่งผิดปกติ
 4. หากเครื่องดูดฝุ่นนี้ตกลงหรือมีการกระทบกระแทก กรุณาตรวจสอบว่าการแตกเสียหายอย่างละเอียดก่อนการใช้งาน
 5. ห้ามนำไปใกล้เตาไฟ หรือแหล่งความร้อน
 6. ห้ามอุดช่องทางเข้า หรือช่องลม

ปฏิบัติตามคำแนะนำเหล่านี้

คำแนะนำเพื่อความปลอดภัยที่สำคัญสำหรับดัลบีแบตเตอรี่

1. ก่อนใช้งานดัลบีแบตเตอรี่ให้อ่านคำแนะนำและเครื่องหมายเตือนทั้งหมดบน (1) เครื่องชาร์จแบตเตอรี่ (2) แบตเตอรี่ และ (3) ตัวผลิตภัณฑ์ที่ใช้แบตเตอรี่
2. อย่าถอดแยกชิ้นส่วนหรือทำการดัดแปลงดัลบีแบตเตอรี่ เนื่องจากอาจทำให้เกิดไฟไหม้ ความร้อนที่สูงเกินไป หรือระเบิดได้
3. หากระยะเวลาที่เครื่องทำงานสั้นเกินไป ให้หยุดใช้งานทันที เนื่องจากอาจมีความเสี่ยงที่จะร้อนจัด ไหม้หรือระเบิดได้
4. หากสารละลายอิเล็กโทรไลต์กระเด็นเข้าตา ให้ล้างออกด้วยน้ำเปล่าและรีบไปพบแพทย์ทันที เนื่องจากอาจทำให้ตาบอด
5. ห้ามลัดวงจรดัลบีแบตเตอรี่:
 - (1) ห้ามแตะขั้วกับวัตถุที่เป็นสื่อนำไฟฟ้าใดๆ
 - (2) หลีกเลี่ยงการเก็บดัลบีแบตเตอรี่ไว้ในภาชนะร่วมกับวัตถุที่เป็นโลหะ เช่น กรรไกรตัดเล็บ เหรียญ ฯลฯ

- (3) อย่าให้ดัลล์แบตเตอรี่ถูกน้ำหรือฝน แบตเตอรี่ที่ดวงจรวดอาจทำให้เกิดการไหลของกระแสไฟฟ้า ร้อนจัดไหม้หรือเสียหายได้
6. ห้ามเก็บและใช้เครื่องมือและดัลล์แบตเตอรี่ไว้ในสถานที่ที่มีอุณหภูมิสูงถึงหรือเกิน 50 °C (122 °F)
 7. ห้ามเผาดัลล์แบตเตอรี่ทิ้ง แม้ว่าแบตเตอรี่จะเสียหายจนใช้การไม่ได้หรือเสื่อมสภาพแล้ว ดัลล์แบตเตอรี่อาจจะระเบิดในกองไฟ
 8. อย่าตอกตะปู ตัด บด ขั้วง หรือทำดัลล์แบตเตอรี่หล่นพื้น หรือกระแทกดัลล์แบตเตอรี่กับวัตถุของแข็ง การกระทำดังกล่าวอาจส่งผลให้เกิดไฟไหม้ ความร้อนที่สูงเกินไป หรือระเบิดได้
 9. ห้ามใช้แบตเตอรี่ที่เสียหาย
 10. แบตเตอรี่ลิเทียมไอออนที่มีมาให้ นั้นเป็นไปตามข้อกำหนดของ Dangerous Goods Legislation สำหรับการขนส่งเพื่อการพาณิชย์ เช่น โดยบุคคลที่สาม ตัวแทนขนส่งสินค้า จะต้องตรวจสอบข้อกำหนดพิเศษในด้านการบรรจุหีบห่อหรือการติดป้ายสินค้าในการเตรียมสินค้าที่จะขนส่ง ให้ปรึกษาผู้เชี่ยวชาญด้านวัตถุอันตราย โปรดตรวจสอบข้อกำหนดในประเทศที่อาจมีรายละเอียดอื่นๆ เพิ่มเติม ให้ติดเทปหรือปิดหน้าสัมผัสและห่อแบตเตอรี่ในลักษณะที่แบตเตอรี่จะไม่เคลื่อนที่ไปมาในหีบห่อ
 11. เมื่อกำจัดดัลล์แบตเตอรี่ ให้ถอดดัลล์แบตเตอรี่ออกจากเครื่องมือและกำจัดในสถานที่ที่ปลอดภัย ปฏิบัติตามข้อบังคับในท้องถิ่นที่เกี่ยวกับการกำจัดแบตเตอรี่
 12. ใช้แบตเตอรี่กับผลิตภัณฑ์ที่ระบุโดย Makita เท่านั้น การติดตั้งแบตเตอรี่ในผลิตภัณฑ์ที่ไม่ใช่ตามที่ระบุอาจทำให้เกิดไฟไหม้ ความร้อนสูง ระเบิด หรืออิเล็กทรอนิกส์รั่วไหลได้
 13. หากไม่ใช่เครื่องมือเป็นระยะเวลานาน จะต้องถอดแบตเตอรี่ออกจากเครื่องมือ
 14. ในระหว่างและหลังการใช้งาน ดัลล์แบตเตอรี่อาจร้อนซึ่งอาจลวกผิวหรือทำให้ผิวหนังไหม้ที่อุณหภูมิต่ำได้ โปรดระมัดระวังในการจัดการกับแบตเตอรี่ที่ร้อน
 15. อย่าสัมผัสขั้วของเครื่องมือทันทีหลังจากการใช้งาน เนื่องจากอาจมีความร้อนพอที่จะทำให้ผิวหนังไหม้ได้
 16. อย่าปล่อยให้เศษวัสดุ ฝุ่นผง หรือดินเข้าไปติดอยู่ในขั้ว รู และร่องของดัลล์แบตเตอรี่ เนื่องจากอาจทำให้เครื่องมือหรือดัลล์แบตเตอรี่มีประสิทธิภาพลดลงหรือเสียหายได้
 17. หากเครื่องมือไม่รองรับสายไฟแรงดันสูง อย่าใช้ดัลล์แบตเตอรี่ใกล้กับสายไฟแรงดันสูง เนื่องจากเครื่องมือหรือดัลล์แบตเตอรี่อาจทำงานผิดปกติหรือเสียหายได้

18. เก็บแบตเตอรี่ให้ห่างจากเด็ก

ปฏิบัติตามคำแนะนำเหล่านี้

⚠ ข้อควรระวัง: ใช้แบตเตอรี่ของแท้จาก Makita เท่านั้น การใช้แบตเตอรี่ Makita ที่ไม่แท้ หรือแบตเตอรี่ที่ถูกเปลี่ยน อาจทำให้แบตเตอรี่ระเบิด ก่อให้เกิดเพลิงลุกไหม้ การบาดเจ็บ และความเสียหายได้ และจะทำให้การรับประกันของ Makita สำหรับเครื่องมือและแท่นชาร์จของ Makita เป็นโมฆะด้วย

เคล็ดลับในการรักษาอายุการใช้งานของแบตเตอรี่ให้ยาวนานที่สุด

1. ชาร์จดัลล์แบตเตอรี่ก่อนที่ไฟจะหมด หยุดการใช้งานแล้วชาร์จประจุไฟฟ้าใหม่ทุกครั้งเมื่อคุณรู้สึกว่าอุปกรณ์มีกำลังลดลง
2. อย่าชาร์จดัลล์แบตเตอรี่ที่มีไฟเต็มแล้ว การชาร์จประจุไฟฟ้ามากเกินไปอาจจะทำให้อายุการใช้งานของดัลล์แบตเตอรี่สั้นลง
3. ชาร์จประจุไฟฟ้าดัลล์แบตเตอรี่ในห้องที่มีอุณหภูมิระหว่าง 10 °C - 40 °C ปล่อยให้ดัลล์แบตเตอรี่เย็นลงก่อนที่จะชาร์จไฟ
4. เมื่อไม่ใช่ดัลล์แบตเตอรี่ ให้ถอดออกจากเครื่องมือหรือเครื่องชาร์จ

คำอธิบายการทำงาน

⚠ ข้อควรระวัง: ตรวจสอบให้แน่ใจว่าได้ปิดสวิตช์เครื่องมือและถอดดัลล์แบตเตอรี่ออกก่อนปรับตั้งหรือตรวจสอบการทำงานของเครื่องมือ

⚠ ข้อควรระวัง: ขณะใส่แบตเตอรี่ โปรดระวังอย่าให้นิ้วมือเข้าไปติดระหว่างเครื่องทำความสะอาดกับแบตเตอรี่ ดังปรากฏในภาพ หากนิ้วเข้าไปติดระหว่างเครื่องใช้กับแบตเตอรี่อาจทำให้เกิดการบาดเจ็บได้

► หมายเลข 1

การใส่หรือการถอดดัลล์แบตเตอรี่

⚠️ ข้อควรระวัง: ปิดสวิตช์เครื่องมือก่อนทำการติดตั้งหรือการถอดดัลล์แบตเตอรี่ทุกครั้ง

⚠️ ข้อควรระวัง: ถือเครื่องมือและดัลล์แบตเตอรี่ให้แน่นในระหว่างการติดตั้งหรือการถอดดัลล์แบตเตอรี่ หากไม่ถือเครื่องมือและดัลล์แบตเตอรี่ให้แน่น อาจทำให้ดัลล์แบตเตอรี่และเครื่องมือสั่นหลุดมือ และทำให้เครื่องมือและดัลล์แบตเตอรี่เสียหายหรือได้รับบาดเจ็บได้

▶ **หมายเลข 2:** 1. ชีลส์แดง 2. ปุ่ม 3. ดัลล์แบตเตอรี่

เมื่อต้องการถอดดัลล์แบตเตอรี่ ให้เลื่อนปุ่มที่ด้านหน้าของดัลล์แล้วดึงออกจากเครื่องมือ

การติดตั้งดัลล์แบตเตอรี่ ให้จัดตำแหน่งลิ้นของดัลล์แบตเตอรี่ให้ตรงกับร่องของเครื่อง แล้วเลื่อนเข้าไปใส่ดัลล์แบตเตอรี่เข้าจนสุดจนกระทั่งได้ยินเสียงคลิกล็อคเข้าที่ หากยังเห็นชีลส์แดงตามที่แสดงในภาพ แสดงว่าดัลล์แบตเตอรี่ยังไม่ล็อคเข้าที่

⚠️ ข้อควรระวัง: ให้ดันดัลล์แบตเตอรี่เข้าจนสุดจนไม่เห็นชีลส์แดงอีก ไม่เช่นนั้น ดัลล์แบตเตอรี่อาจหลุดออกจากเครื่องมือทำให้คุณหรือคนรอบข้างได้รับบาดเจ็บ

⚠️ ข้อควรระวัง: อย่าฝืนติดตั้งดัลล์แบตเตอรี่โดยใช้แรงมากเกินไป หากดัลล์แบตเตอรี่ไม่เลื่อนเข้าไปโดยง่าย แสดงว่าใส่ไม่ถูกต้อง

ระบบป้องกันแบตเตอรี่

เครื่องมือจะมีระบบการป้องกันแบตเตอรี่ ระบบนี้จะทำการตัดพลังงานของมอเตอร์โดยอัตโนมัติเพื่อยืดอายุแบตเตอรี่ เครื่องมือจะหยุดทำงานโดยอัตโนมัติระหว่างการใช้งาน เมื่อเครื่องมือและ/หรือแบตเตอรี่อยู่ภายใต้สถานการณ์ต่อไปนี้:

ทำงานหนักเกินไป:

ใช้งานเครื่องมือในลักษณะที่อาจใช้กระแสไฟฟ้าสูงผิดปกติ ในกรณีนี้ ให้ปิดเครื่องมือและหยุดการใช้งานในลักษณะที่อาจทำให้เครื่องมือทำงานหนักเกินไป แล้วเปิดเครื่องมือเพื่อเริ่มทำงานอีกครั้ง

แรงดันไฟฟ้าแบตเตอรี่ต่ำ:

พลังงานในแบตเตอรี่เหลือน้อยเกินไปและเครื่องมือจะไม่ทำงาน หากคุณเปิดใช้เครื่องมือ มอเตอร์จะเริ่มทำงานอีกครั้ง แต่อีกสักพักจะหยุดทำงาน ในสถานการณ์นี้ ให้ถอดแบตเตอรี่ออกแล้วชาร์จแบตเตอรี่ใหม่

การระบุระดับพลังงานแบตเตอรี่ที่เหลืออยู่

สำหรับดัลล์แบตเตอรี่ที่มีตัวแสดงสถานะเท่านั้น

▶ **หมายเลข 3:** 1. ไฟแสดงสถานะ 2. ปุ่มตรวจสอบ

กดปุ่ม ตรวจสอบ บนดัลล์แบตเตอรี่เพื่อดูปริมาณแบตเตอรี่ที่เหลือ ไฟแสดงสถานะจะสว่างขึ้นเป็นเวลาสองสามวินาที

ไฟแสดงสถานะ		แบตเตอรี่ที่เหลือ
ไฟสว่าง	ดับ	
■ ■ ■ ■	□	75% ถึง 100%
■ ■ ■ □	□	50% ถึง 75%
■ ■ □ □	□	25% ถึง 50%
■ □ □ □	□	0% ถึง 25%

หมายเหตุ: ขึ้นอยู่กับสภาพการใช้งานและอุณหภูมิ โดยรอบ การแสดงสถานะอาจจะแตกต่างจากปริมาณแบตเตอรี่จริงเล็กน้อย

การทำงานของสวิตช์

▶ **หมายเลข 4:** 1. เปิด/ปุ่มเปลี่ยนความเร็ว 2. ปุ่มปิด

ในการเปิดเครื่องดูดฝุ่นเพื่อเริ่มการใช้งาน เพียงแคกดปุ่มเปิด/ปุ่มเปลี่ยนความเร็ว ในการปิดสวิตช์ กดปุ่มปิด คุณสามารถเปลี่ยนความเร็วเครื่องดูดฝุ่นได้ด้วยทั้งสามขั้น โดยการกดปุ่ม เปิด/ปุ่มเปลี่ยนความเร็ว การกดปุ่มครั้งที่หนึ่ง จะเป็นโหมดความเร็วสูง การกดปุ่มครั้งที่สอง จะเป็นโหมดความเร็วสูงสุด การกดปุ่มครั้งที่สาม จะเป็นโหมดความเร็วปกติ ในแต่ละครั้งที่กดปุ่มนี้ วนซ้ำเป็นโหมดความเร็ว สูง/สูงสุด/ปกติ ตามที่คุณเลือก

การเปิดดวงไฟ

⚠️ ข้อควรระวัง: อย่ามองเข้าไปในดวงไฟหรือจ้องดูแหล่งกำเนิดแสงโดยตรง

▶ **หมายเลข 5:** 1. เปิด/ปุ่มเปลี่ยนความเร็ว 2. ปุ่มปิด 3. ดวงไฟ

เมื่อต้องการให้หลอดไฟสว่าง ให้กดปุ่ม เปิด/ปุ่มเปลี่ยนความเร็ว กดปุ่มปิดเพื่อปิดไฟ ระหว่างที่เครื่องกำลังทำงาน ดวงไฟจะสว่าง

เมื่อไฟฟ้าในแบตเตอรี่เหลือน้อย หลอดไฟก็จะเริ่มกระพริบ

หมายเหตุ: จังหวะเวลาในการเริ่มกระพริบจะขึ้นอยู่กับอุณหภูมิที่กำลังใช้งาน และสภาพของชุดแบตเตอรี่

การประกอบ

⚠ ข้อควรระวัง: ตรวจสอบให้แน่ใจว่าได้ปิดสวิทช์เครื่องมือและถอดถลับแบตเตอรี่ออกก่อนดำเนินการใดๆ กับเครื่องมือ

การนำผงฝุ่นออกไปทิ้ง

⚠ ข้อควรระวัง: นำผงฝุ่นออกไปทิ้งก่อนเติมถุง หรือทำให้แรงดูดลดลง

⚠ ข้อควรระวัง: ตรวจสอบให้แน่ใจว่าด้านในของเครื่องมือไม่มีผงฝุ่นเหลืออยู่ ไม่เช่นนั้นอาจทำให้ตัวกรองอุดตัน หรือมอเตอร์อาจได้รับความเสียหาย

⚠ ข้อควรระวัง: ห้ามทิ้งที่กักฝุ่นเพราะจะต้องใช้ตัวถังกับถุงเก็บฝุ่นและกระดาษกรอง

⚠ ข้อควรระวัง: เวลาปิดฝาครอบด้านหน้า โปรดระวังอันตรายอันอาจเกิดขึ้นกับนิ้วมือ

1. กดปุ่มเพื่อเปิดฝาครอบด้านหน้า เปิดฝาครอบด้านหน้าจนได้ยินเสียงก๊ิก เป็นอันว่าอยู่ในตำแหน่งที่เหมาะสม

▶ **หมายเลข 6:** 1. ฝาครอบด้านหน้า 2. ปุ่ม

2. ดึงที่กักฝุ่นสีส้มและถุงเก็บฝุ่นออกพร้อมกัน

▶ **หมายเลข 7:** 1. ที่กักฝุ่น

3. ถอดที่กักฝุ่นออกแล้วนำผงฝุ่นไปทิ้งเพื่อทำให้ถุงเก็บฝุ่นว่าง

▶ **หมายเลข 8:** 1. ที่กักฝุ่น

▶ **หมายเลข 9**

หมายเหตุ: เครื่องดูดฝุ่นนี้ถูกสร้างขึ้นมาในลักษณะที่ ฝาครอบด้านหน้าจะหลุดออกหากมีความพยายามที่จะทำให้ฝาครอบด้านหน้ากางเกิน 90° หากฝาครอบด้านหน้าหลุดออก ให้ใส่เข้าที่ในบริเวณสำหรับสวมกันของข้อต่อฝาครอบด้านหน้า

▶ **หมายเลข 10:** 1. ฝาครอบด้านหน้า 2. ข้อต่อฝาครอบด้านหน้า

ถุงเก็บฝุ่น และกระดาษกรอง

ไม่ว่าจะเป็นถุงเก็บฝุ่น หรือกระดาษกรอง ให้ติดตั้งก่อนการใช้งาน

ในการติดตั้งถุงเก็บฝุ่น หรือกระดาษกรอง ต้องใช้ที่กักฝุ่น ถุงเก็บฝุ่น สามารถใช้ซ้ำได้หลายครั้ง โดยการทำความสะอาดแล้วนำกลับมาใช้

กระดาษกรองเป็นชนิดใช้แล้วทิ้ง ให้ทิ้งกระดาษกรองทั้งหมดไปพร้อมกับผงฝุ่นขณะยังเต็มอยู่โดยไม่ต้องเทออก

ข้อสังเกต: การป้องกันไม่ให้ผงฝุ่นเข้าไปที่มอเตอร์:

- ตรวจสอบให้แน่ใจว่าได้ติดตั้งถุงเก็บฝุ่น หรือกระดาษกรองแล้วก่อนการใช้งาน
- ใส่ที่กักฝุ่นลงไปพร้อมกับถุงเก็บฝุ่นหรือกระดาษกรองโดยใส่ให้เข้าที่และตรึงร่องขณะติดตั้ง
- ห้ามใช้ถุงที่ขาดหรือฉีก

มีละอุนมอเตอร์อาจเสียหายได้

ข้อสังเกต: ห้ามพับกระดาษแข็งบริเวณทางเข้า ขณะติดตั้งกระดาษกรอง

ข้อสังเกต: ห้ามทิ้งที่กักฝุ่นเพราะจะต้องใช้ซ้ำด้วยกันกับถุงเก็บฝุ่นและกระดาษกรอง

ข้อสังเกต: กระดาษกรองเป็นส่วนประกอบสำคัญสำหรับเครื่องดูดฝุ่นในการรักษาสมรรถนะการใช้งานของเครื่องมือ การใช้กระดาษกรองอื่นใดที่ไม่ใช่ของแท้ อาจทำให้เกิดควัน หรือติดไฟได้

การติดตั้งถุงเก็บฝุ่น

ขณะติดตั้งถุงเก็บฝุ่น ให้ใช้ที่กักฝุ่น โปรดระวังอย่าเผลอใช้ด้านบนเป็นด้านล่างเพราะว่ามันแตกต่างกัน

▶ **หมายเลข 11:** 1. ด้านบนของที่กักฝุ่น 2. ด้านล่างของที่กักฝุ่น

1. ใส่ส่วนที่ยื่นออกมาของถุงเก็บฝุ่นเข้ากับร่องในที่กักฝุ่น ตามรูป

▶ **หมายเลข 12:** 1. ที่กักฝุ่น 2. ร่อง 3. ถุงเก็บฝุ่น

2. ด้านบนและด้านล่างของถุงเก็บฝุ่นไม่มีความแตกต่างกัน คุณอาจใส่ส่วนที่ยื่นออกมาของทั้งสองด้าน เข้ากับร่องด้านล่างของที่กักฝุ่น

▶ **หมายเลข 13:** 1. ร่องด้านล่าง

3. วางกรอบของที่กักฝุ่นกับกรอบของถุงเก็บฝุ่นให้ทับซ้อนกัน

▶ **หมายเลข 14**

4. วางที่กักฝุ่นและถุงเก็บฝุ่นด้วยกันที่ช่องว่างตรงกลางภายในเครื่องดูดฝุ่นโดยให้อยู่ในทิศทางเดียวกับลูกศรที่อยู่บนที่กักฝุ่น วางลงไปให้เข้าที่ด้วยกับพอดีกับชอกของช่องว่างตรงกลางภายในเครื่องดูดฝุ่น

▶ **หมายเลข 15:** 1. ช่องว่างตรงกลางภายในเครื่องดูดฝุ่น

5. เก็บส่วนที่เป็นผ้าทั้งหมดของถุงเก็บฝุ่นเข้าข้างในเครื่องดูดฝุ่นให้เรียบร้อย

▶ **หมายเลข 16**

6. ปิดฝาครอบด้านหน้าให้เรียบร้อย
▶ หมายเลข 17: 1. ฝาครอบด้านหน้า

การติดตั้งกระดาดทรง

ขณะติดตั้งกระดาดทรง ให้ใช้ที่กักฝุ่นด้วย โปรตระวังอย่า
เปลือยด้านบนเป็นด้านล่างเพราะว่ามันแตกต่างกัน

- ▶ หมายเลข 18: 1. ด้านบนของที่กักฝุ่น 2. ด้านล่าง
ของที่กักฝุ่น
1. คลี่ปากทางเข้าของกระดาดทรงออก ก่อนที่จะใส่เข้า
กับที่กักฝุ่น
▶ หมายเลข 19
2. ใส่ส่วนที่ยื่นออกมาของกระดาดทรงเข้ากับร่องของที่
กักฝุ่นดังปรากฏในรูป
▶ หมายเลข 20: 1. ที่กักฝุ่น 2. ร่อง 3. กระดาดทรง
3. ด้านบนและด้านล่างของกระดาดทรงไม่มีความแตก
ต่างกัน คุณอาจใส่ส่วนที่ยื่นออกมาของด้านใด ๆ เข้ากับร่อง
ด้านล่างของที่กักฝุ่น
▶ หมายเลข 21: 1. ร่องด้านล่าง
4. วางกรอบของที่กักฝุ่นกับกรอบของกระดาดทรงให้
ทับซ้อนกัน
▶ หมายเลข 22
5. วางที่กักฝุ่นและกระดาดทรงด้วยกันที่ช่องว่างตรง
กลางภายในเครื่องดูดฝุ่นโดยให้อยู่ในทิศทางเดียวกับลูกศร
ที่อยู่บนที่กักฝุ่น วางลงไปให้เข้าที่ด้วยก้นพอดีกับชอกของ
ช่องว่างตรงกลางภายในเครื่องดูดฝุ่น
▶ หมายเลข 23
6. เก็บส่วนต่างๆ ทั้งหมดของกระดาดทรงเข้าข้างใน
เครื่องมือให้เรียบร้อย
▶ หมายเลข 24
7. ปิดฝาครอบด้านหน้าให้เรียบร้อย

การใช้งาน

การต่อกับส่วนอื่นๆ เช่น หัวดูดฝุ่น ให้บิดท่อต่อของหัวดูด
ฝุ่นแล้วสวมเข้าให้แน่น ในการถอดท่อต่อของหัวดูดฝุ่นตั้ง
กล่าว ให้บิดแล้วถอดออก

- ▶ หมายเลข 25

การทำความสะอาด (การดูดฝุ่น)

หัวดูดฝุ่น

ต่อหัวดูดฝุ่นเข้าเพื่อสะดวกในการทำความสะอาด โตะ โตะ
ทำงาน เพอร์นิเจอร์ และอื่นๆ โดยหัวดูดฝุ่นจะเคลื่อนที่ได้
อย่างง่ายดาย

- ▶ หมายเลข 26: 1. หัวดูดฝุ่น

หัวดูดฝุ่น + ท่อต่อ (ท่อตรง)

ท่อต่อเข้ากันพอดีกับหัวดูดฝุ่นและเครื่องดูดฝุ่น การต่อท่อ
แบบนี้จะทำให้สะดวกในการทำความสะอาดพื้นในท่ายืน

- ▶ หมายเลข 27: 1. ตัวเครื่อง 2. ท่อต่อ 3. หัวดูดฝุ่น

หัวดูดฝุ่นสำหรับมุมอับ

สวมหัวดูดฝุ่นสำหรับมุมอับเพื่อทำความสะอาดมุมหรือร่อง
ต่างๆ ในรถยนต์หรือเพอร์นิเจอร์

- ▶ หมายเลข 28: 1. หัวดูดฝุ่นสำหรับมุมอับ 2. ตัวเครื่อง

หัวดูดฝุ่นสำหรับมุมอับ + ท่อต่อ (ท่อตรง)

ในบริเวณที่เครื่องดูดฝุ่นเข้าถึงยากหรืออยู่สูง เข้าไปไม่ถึง
ให้ใช้วิธีนี้

- ▶ หมายเลข 29: 1. หัวดูดฝุ่นสำหรับมุมอับ 2. ท่อต่อ
3. ตัวเครื่อง

การทำความสะอาดโดยไม่ใช้หัวดูดฝุ่น

ท่านสามารถดูดฝุ่นและผงได้โดยไม่ต้องใช้หัวดูดฝุ่นหรือ
ท่อระบาย

- ▶ หมายเลข 30

การบำรุงรักษา

⚠ ข้อควรระวัง: ตรวจสอบให้แน่ใจว่าได้ปิดสวิตช์เครื่อง
มือและถอดปลั๊กแบตเตอรี่ออกก่อนทำการตรวจสอบหรือ
บำรุงรักษา

ข้อสังเกต: อย่าใช้น้ำมันเชื้อเพลิง เบนซิน ทินเนอร์
แอลกอฮอล์ หรือวัสดุประเภทเดียวกัน เนื่องจากอาจ
ทำให้ลื่นลื่น ฉีกขาด หรือแตกเร็วได้

หลังจากการใช้งาน

ข้อสังเกต: การวางเครื่องดูดฝุ่นพวงผนังโดยไม่มีสิ่งค้ำจุน อาจทำให้เครื่องดูดฝุ่นล้มลงพื้นและทำให้ชำรุดเสียหายได้

▶ **หมายเลข 31**

การทำความสะอาด

หมั่นทำความสะอาดภายนอก (ตัวเครื่อง) ของเครื่องดูดฝุ่น โดยใช้ผ้าชุบน้ำสบู

แล้วก็ทำความสะอาด ช่องดูดฝุ่น ถังเก็บฝุ่น/กระดาดรอง บริเวณฐาน และบริเวณที่กักฝุ่นด้วย

▶ **หมายเลข 32**

ล้างถุงดักฝุ่นในน้ำสบู่เมื่อถุงอุดตันด้วยฝุ่น และเมื่อกำลังการดูดลดลง รอให้แห้งสนิทก่อนการใช้งาน หากไม่แห้งพอ อาจทำให้การดูดฝุ่นไม่ดีพอ และยังสามารถทำให้อายุการใช้งานมอเตอร์สั้นลงด้วย

▶ **หมายเลข 33**

หมายเหตุ: กระดาดรองเป็นชนิดใช้แล้วทิ้ง

เมื่อกรองฟองน้ำอุดตันด้วยฝุ่น ให้นำออกจากเครื่องดูดฝุ่นแล้วเช็ดออกหรือล้างด้วยน้ำ

ถอดกรองฟองน้ำออกแล้วก็ติดตั้งเข้าไปอีกครั้ง

⚠ ข้อควรระวัง: หลังจากทำความสะอาดกรองฟองน้ำแล้ว อย่าลืมติดตั้งกรองฟองน้ำลงบนเครื่องดูดฝุ่นนั้นด้วย หากทำความสะอาดด้วยการล้างน้ำ จะต้องทำให้แห้งเสียก่อนจึงทำการติดตั้ง หากกรองฟองน้ำแห้งไม่ดีพอ อาจทำให้อายุการใช้งานมอเตอร์สั้นลง

ในการถอดกรองฟองน้ำ ให้ถอดถุงเก็บฝุ่น หรือกระดาดรอง จากนั้นก็ค่อยๆ ถอดกรองฟองน้ำออก

▶ **หมายเลข 34:** 1. กรองฟองน้ำ

กดขอบทั้งหมดของกรองฟองน้ำเข้ากับผนังกันด้านในบริเวณฐานของถังเก็บฝุ่น/กระดาดรอง

▶ **หมายเลข 35:** 1. ผนังกัน

ที่แขวนติดผนังสำหรับเครื่องดูดฝุ่นไร้สาย

อุปกรณ์เสริม

หมายเหตุ: ไม่รวมสกรูสำหรับยึดที่ยึด เติรมสกรูที่เหมาะสมกับวัสดุเพื่อขันยึด

ติดที่แขวนติดผนังสำหรับเครื่องดูดฝุ่นไร้สายเข้ากับผนังคาน หรือเสาไม้ที่แข็งแรงซึ่งสามารถยึดที่แขวนติดผนังสำหรับเครื่องดูดฝุ่นไร้สายได้อย่างแน่นอน ตรวจสอบให้แน่ใจว่าที่แขวนติดผนังสำหรับเครื่องดูดฝุ่นไร้สายถูกยึดอย่างแน่นหนาดีแล้วก่อนจะแขวนเครื่องดูดฝุ่น

▶ **หมายเลข 36:** 1. ที่แขวนติดผนังสำหรับเครื่องดูดฝุ่นไร้สาย

⚠ ข้อควรระวัง: อย่าแขวนเครื่องดูดฝุ่นกับที่แขวนติดผนังอย่างรุนแรงหรือแขวนเครื่องใช้อื่นที่นอกเหนือจากเครื่องดูดฝุ่น

การแก้ไขปัญหา

ก่อนที่จะมีการซ่อม กรุณาตรวจสอบดังต่อไปนี้

อาการหรือสิ่งที่เกิดขึ้น	บริเวณที่จะตรวจสอบ	วิธีการซ่อม
แรงดูดลดลง	ผงฝุ่นเต็มถุงเก็บฝุ่นหรือกระดาษกรองหรือไม่?	นำถุงฝุ่นทิ้งเพื่อให้ถุงเก็บฝุ่นหรือกระดาษกรองว่าง
	ถุงเก็บฝุ่นอุดตันหรือไม่?	ทำให้ฝุ่นพร่องลงหรือทำความสะอาดถุงเก็บฝุ่น
	กระดาษกรองอุดตันหรือไม่?	เปลี่ยนกระดาษกรอง
	แบตเตอรี่หมดหรือไม่?	ชาร์จไฟกลับแบตเตอรี่
ใช้การไม่ได้	แบตเตอรี่หมดหรือไม่?	ชาร์จไฟกลับแบตเตอรี่

ข้อสังเกต: ห้ามพยายามที่จะซ่อมเครื่องดูดฝุ่นด้วยตนเอง

เพื่อความปลอดภัยและนำเชื้อถือของผลิตภัณฑ์ ควรให้ศูนย์บริการหรือโรงงานที่ผ่านการรับรองจาก Makita เป็นผู้ดำเนินการซ่อมแซม บำรุงรักษาและทำการปรับตั้งอื่นๆ นอกจากนี้ให้ซื้ออะไหล่ของแท้จาก Makita เสมอ

อุปกรณ์เสริม

⚠ ข้อควรระวัง: ขอแนะนำให้ใช้เฉพาะอุปกรณ์เสริมหรืออุปกรณ์ต่อพ่วงเหล่านี้กับเครื่องมือ Makita ที่ระบุในคู่มือการใช้อุปกรณ์เสริมหรืออุปกรณ์ต่อพ่วงอื่นๆ อาจมีความเสี่ยงที่จะได้รับบาดเจ็บ ใช้อุปกรณ์เสริมหรืออุปกรณ์ต่อพ่วงตามวัตถุประสงค์ที่ระบุไว้เท่านั้น

หากต้องการทราบรายละเอียดเพิ่มเติมเกี่ยวกับอุปกรณ์เสริมเหล่านี้ โปรดสอบถามศูนย์บริการ Makita ใกล้บ้านคุณ

- ท่อต่อ (ท่อตรง)
- หัวดูดฝุ่น
- หัวดูดฝุ่นสำหรับพื้นพรอม
- แปรงสำหรับชั้นวาง
- หัวดูดฝุ่นสำหรับมุมอับ
- แปรงกลม
- ท่อที่อ่อนตัวได้
- กระดาษกรอง
- ที่แขวนติดผนังสำหรับเครื่องดูดฝุ่นไร้สาย
- อุปกรณ์ต่อพ่วงไซโคลน
- แบตเตอรี่และเครื่องชาร์จ Makita ของแท้

หมายเหตุ: อุปกรณ์วางรายการอาจจะรวมอยู่ในชุดเครื่องมือเป็นอุปกรณ์มาตรฐาน ซึ่งอาจแตกต่างกันไปในแต่ละประเทศ

อุปกรณ์ต่อพ่วงไซโคลน

- หมายเลข 37: 1. ท่อตรง 2. อุปกรณ์ต่อพ่วงไซโคลน 3. ช่องดูดฝุ่น

เกี่ยวกับอุปกรณ์ต่อพ่วงไซโคลน

การใช้เครื่องดูดฝุ่นโดยติดตั้งอุปกรณ์ต่อพ่วงไซโคลนจะช่วยลดปริมาณฝุ่นที่เข้าไปในถุงดักฝุ่น ซึ่งช่วยป้องกันแรงดูดอ่อนลง นอกจากนี้ การทำความสะอาดหลังการใช้งานก็ง่ายขึ้น

⚠ ข้อควรระวัง: ตรวจสอบให้แน่ใจว่าได้ปิดสวิตช์เครื่องมือและถอดลatches แบตเตอรี่ออกก่อนดำเนินการใดๆ กับเครื่องมือ หากใส่ดักฝุ่นกลับแบตเตอรี่ค้างไว้ เครื่องดูดฝุ่นอาจทำงานโดยอัตโนมัติและอาจส่งผลให้เกิดการบาดเจ็บได้

⚠ ข้อควรระวัง: ทำความสะอาดตัวกรองของอุปกรณ์ต่อพ่วงไซโคลนและถุงดักฝุ่นของเครื่องดูดฝุ่นเมื่อฝุ่นอุดตัน การใช้งานต่อเนื่องในขณะที่เกิดฝุ่นอุดตันอาจทำให้เกิดความร้อนหรือควันได้

ข้อสังเกต: เมื่อติดตั้งอุปกรณ์ต่อพ่วงไซโคลน อย่าใช้เครื่องดูดฝุ่นในแนวนอนหรือยกขึ้น มิเช่นนั้นอาจทำให้เกิดการอุดตัน

ข้อสังเกต: ใช้เครื่องดูดฝุ่นที่ติดตั้งถุงดักฝุ่นอยู่เสมอ แม้จะใช้งานอุปกรณ์ต่อพ่วงไซโคลนด้วย การใช้เครื่องดูดฝุ่นโดยไม่ติดตั้งถุงดักฝุ่นอาจทำให้มอเตอร์ทำงานผิดปกติ

หมายเหตุ: ตรวจสอบว่าล็อกอุปกรณ์ต่อพ่วงไซโคลน เครื่องดูดฝุ่น และท่อตรงให้เหมาะสมก่อนการใช้งาน

หมายเหตุ: ทำความสะอาดกล่องดักฝุ่นของอุปกรณ์ต่อพ่วงไซโคลนและถุงดักฝุ่นของเครื่องดูดฝุ่นเมื่อมีฝุ่นสะสม การใช้งานต่อไปจะทำให้แรงดูดอ่อนลง

การนำผงฝุ่นออกไปทิ้ง

เมื่อมีฝุ่นสะสมถึงขีดระดับสูงสุดของกล่องดักฝุ่น ให้ปฏิบัติตามกระบวนการด้านล่างและนำผงฝุ่นออกไปทิ้ง

1. จับกล่องดักฝุ่นให้แน่น กดค้างที่ปุ่มทั้งสอง และถอดกล่องดักฝุ่น

▶ **หมายเลข 38:** 1. ขีดระดับสูงสุด 2. กล่องดักฝุ่น
3. ปุ่ม (สองตำแหน่ง) 4. ตัวกรอง

2. นำผงฝุ่นภายในกล่องดักฝุ่นออกไปทิ้ง จากนั้นจึงทิ้งฝุ่นและผงที่ติดบนพื้นผิวตัวกรอง

3. ใส่กล่องดักฝุ่นจนสุดจนกว่าจะได้ยินเสียงคลิกจากล็อกของปุ่มทั้งสอง

▶ **หมายเลข 39:** 1. กล่องดักฝุ่น 2. ปุ่ม (สองตำแหน่ง)

หมายเหตุ: ตรวจสอบว่าเชื่อมต่อกับอุปกรณ์ต่อพ่วงไซโคลน เครื่องดูดฝุ่น และท่อตรงให้แน่นก่อนการใช้งานอีกครั้ง

หมายเหตุ: หากแรงดูดไม่ดีขึ้นหลังจากการนำผงฝุ่นออกไปทิ้งและการทำความสะอาดตัวกรอง ให้ตรวจสอบว่ามีฝุ่นสะสมในถุงดักฝุ่นของเครื่องดูดฝุ่นหรือมีฝุ่นอุดตันหรือไม่

การทำความสะอาด

เมื่อกล่องดักฝุ่นมีคราบสกปรกหรือตัวกรองมีฝุ่นอุดตัน ให้ขัดออกและล้างน้ำ (โปรดอ้างอิง “การนำผงฝุ่นออกไปทิ้ง” สำหรับกระบวนการกำจัดฝุ่น)

ตากชิ้นส่วนให้แห้งก่อนนำมาติดตั้งและใช้งานอีกครั้ง

▶ **หมายเลข 40:** 1. กล่องดักฝุ่น 2. ตัวกรอง

เมื่อตัวกรองมีคราบสกปรกมาก ให้ล้างตามกระบวนการดังต่อไปนี้

1. หมุนตัวกรองทวนเข็มนาฬิกาและถอดออกมาหลังจากปลดล็อกขอเกี่ยว

▶ **หมายเลข 41:** 1. ตัวกรอง 2. ขอเกี่ยว

2. บัดฝุ่นบนตัวกรองแล้วล้างน้ำ หลังจากนั้น ให้ตากจนแห้ง

3. ใส่ตัวกรองที่ฐานโดยให้ขอเกี่ยวตรงกับช่องต่อ หมุนตัวกรองตามเข็มนาฬิกาจนกว่าขอเกี่ยวจะมีเสียงคลิก ตรวจสอบให้แน่ใจว่าติดตั้งตัวกรองให้แน่น

▶ **หมายเลข 42:** 1. ตัวกรอง 2. ขอเกี่ยว 3. ช่องต่อ

Makita Corporation
3-11-8, Sumiyoshi-cho,
Anjo, Aichi 446-8502 Japan
www.makita.com

885526F378
EN, ZHCN, ID,
VI, TH
20201222