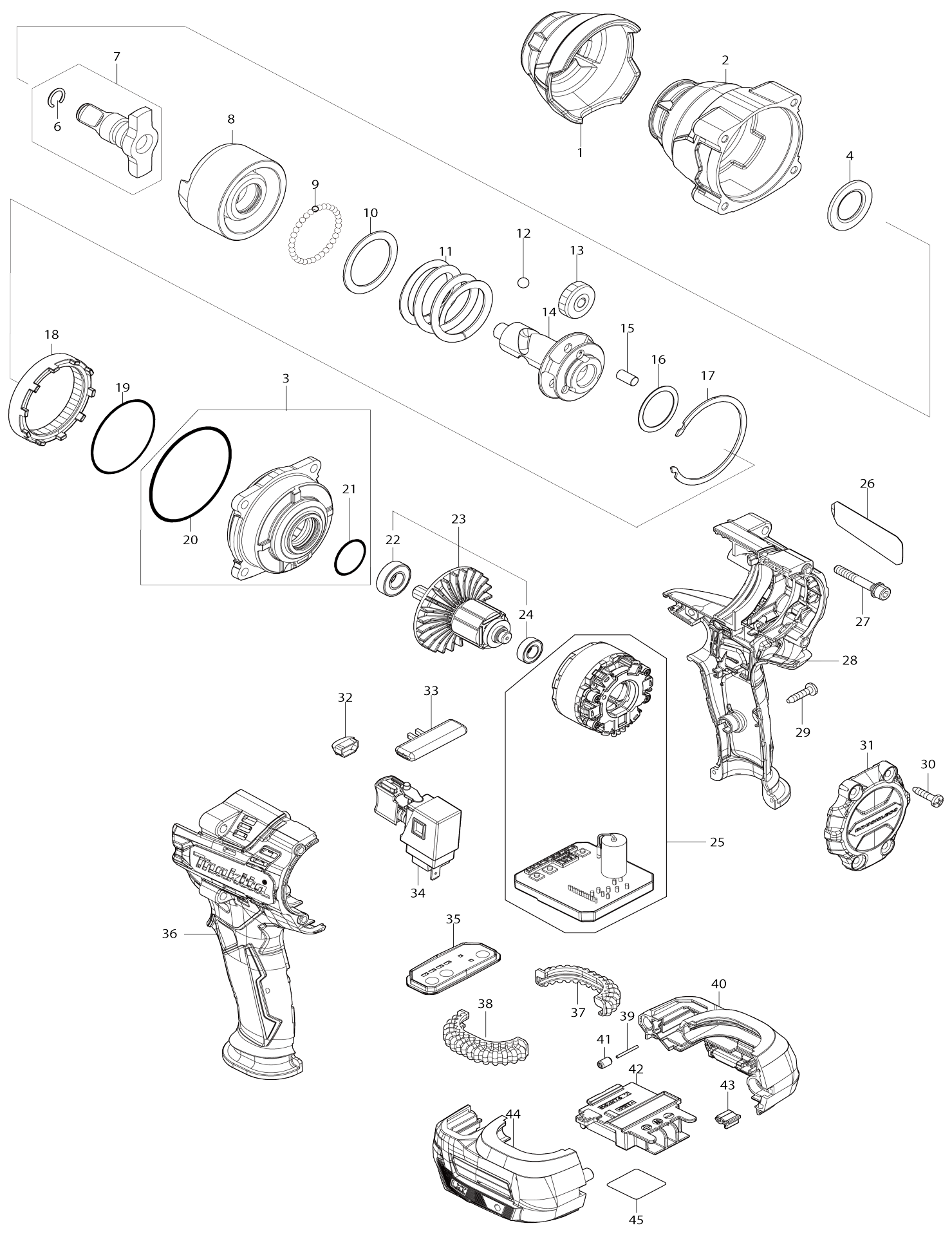


Model No.DTW700 CORDLESS IMPACT WRENCH



Model No.DTW700 CORDLESS IMPACT WRENCH

Item No.	Parts No.	Description	Interchangability	Q'ty	New/Old	Sales Price (VND)	Purchase Price(VND)	Note1	Note2
001	422607-6	BUMPER		1					
002	140U47-9	HAMMER CASE COMPLETE		1	*				
002-1	141U35-9	HAMMER CASE COMPLETE	<	1					
003	136296-8	INTERNAL GEAR CASE ASS'Y		1					
D10		INC. 20,21							
004	253481-9	FLAT WASHER 20		1					
006	231907-1	RING SPRING 10		1					
007	136256-0	ANVIL ASS'Y		1					
D10		INC. 6							
008	327624-0	HAMMER		1					
009	216001-0	STEEL BALL 3.5		33					
010	267340-1	FLAT WASHER 32		1					
011	232629-6	COMPRESSION SPRING 34		1					
012	216007-8	STEEL BALL 6.4		2					
013	227813-6	SPUR GEAR 21		3					
014	327623-2	SPINDLE		1					
015	256211-7	PIN 6		3					
016	267494-4	FLAT WASHER 25		1	*				
016-1	267127-1	FLAT WASHER 26	O	1					
017	347722-4	RETAINER		1					
018	227814-4	INTERNAL SPUR GEAR 48		1					
019	213624-5	O RING 48		1	*				
020	213654-6	O RING 60		1					
021	213961-7	O RING 22		1					
022	210069-8	BALL BEARING 6900DDW		1					
023	519635-1	ROTOR ASS'Y		1					
D10		INC. 22,24							
024	211343-7	BALL BEARING 688ZZ		1					
025	629A06-1	STATOR COMPLETE		1					
026	857M03-1	DTW700 NAME PLATE		1					
027	251476-6	H.S.H.BOLT M5X35 WITH WR		4	*				
027-1	265D13-4	H.S.H.BOLT M5X35 WITH WRM	<	4					
028	183P88-2	HOUSING SET		1					
D10		INC. 36							
029	266326-2	TAPPING SCREW 4X18		7					
030	266326-2	TAPPING SCREW 4X18		4					
031	412673-1	REAR COVER		1					
032	620549-0	LED CIRCUIT		1					
033	456268-0	F/R CHANGE LEVER		1					
034	140U03-9	SWITCH COMPLETE		1					
C10	424774-3	SWITCH COVER		1					
035	140U53-4	SWITCH PLATE COMPLETE		1					
C10	8012S9-8	SWITCH LABEL		1					
036	183P88-2	HOUSING SET		1					
D10		INC. 28							
037	424773-5	CUSHION RUBBER		1	*				
037-1	422A56-3	CUSHION RUBBER	<	1					

038	424773-5	CUSHION RUBBER		1	*				
038-1	422A56-3	CUSHION RUBBER	<	1					
039	268284-8	PIN 1.5		1					
040	183P89-0	BATTERY HOUSING SET		1					
C10	263005-3	RUBBER PIN 6		2					
C20	252126-6	HEX. LOCK NUT M4-7		2					
D10		INC. 44							
041	263036-2	RUBBER PIN 5		1					
042	643874-2	TERMINAL		1					
043	424517-3	CUSHION		1					
044	183P89-0	BATTERY HOUSING SET		1					
C10	263005-3	RUBBER PIN 6		2					
C20	252126-6	HEX. LOCK NUT M4-7		2					
D10		INC. 40							
045	857M11-2	DTW700 SERIAL NO. LABEL		1					
A01	251314-2	+ SCREW M4X12		1					
A02	347723-2	HOOK		1					
F01	191G67-2	EXTENSION HANDLE SET		1					
A03	***DC18RC	DC18RC FAST CHARGER		1					
D10		COMPO-PARTS							
A04	450128-8	BATTERY COVER		1					
A05	197280-8	BATTERY BL1850B SET		2					
A06	821551-8	CONNECTOR PLASTIC CASE (TYP E3)		1					
C10	453974-8	LATCH		4					
A07	837645-9	INNER TRAY		1					
A08	8019U3-6	DTW700RTJ PLASTIC CASE LABEL		2					
A09	8019U2-8	DTW700RTJ INDICATION LABEL		1					
A10	161347-8	SHOULDER BELT		1					
E01	191G08-8	RING SET		1					
C10	162842-1	BRACKET		1					
C20	282022-4	RING 40		1					
A08	8055J6-1	DTW700TJX1 PLASTIC CASE LABEL		2					
A09	8055J5-3	DTW700TJX1 INDICATION LABEL		1					

Please state Parts No. when your order.

Print Date 23/07/2024