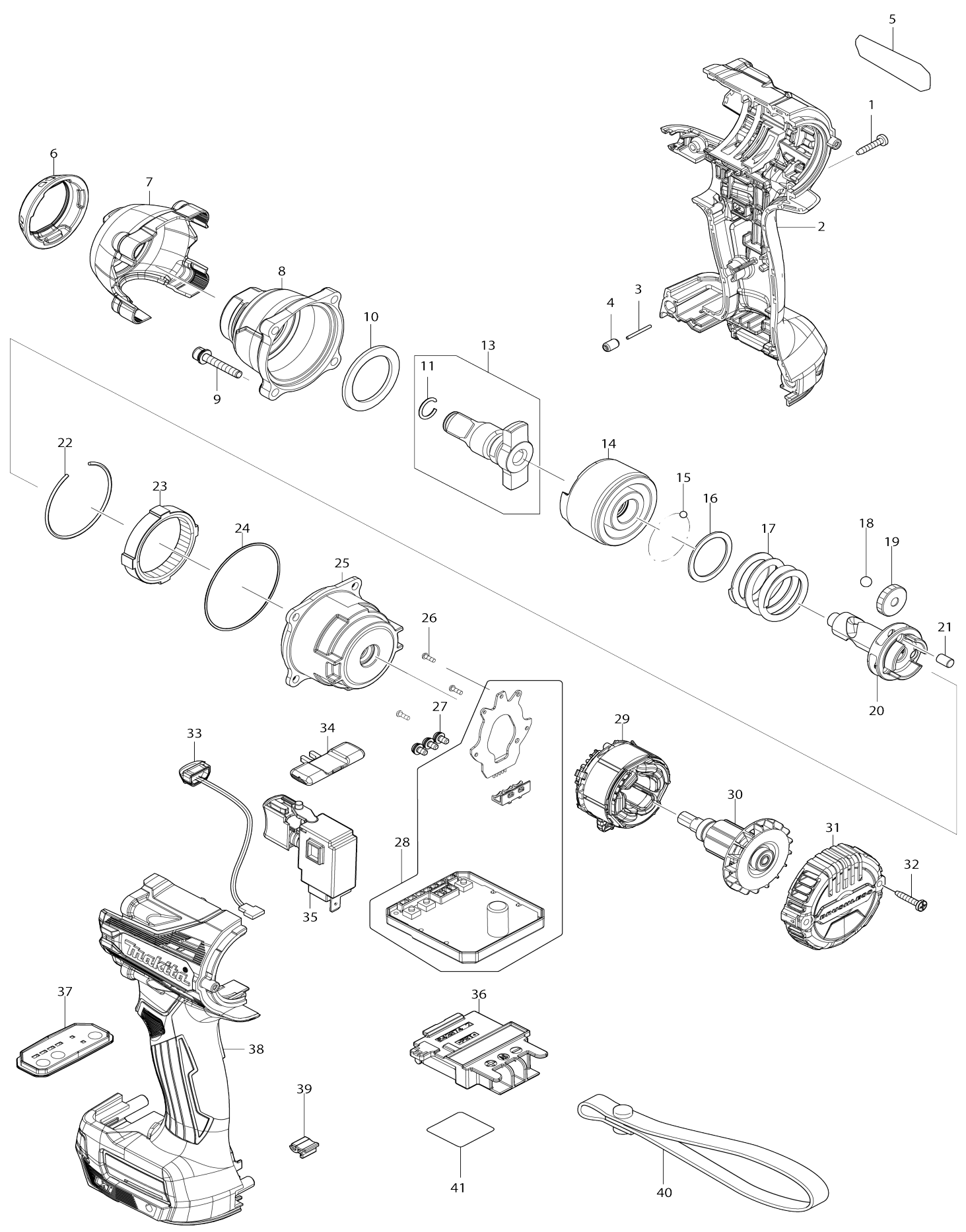


# Model No.DTW300 CORDLESS IMPACT WRENCH



# Model No.DTW300 CORDLESS IMPACT WRENCH

Item No.	Parts No.	Description	Interchangability	Q'ty	New/Old	Sales Price (VND)	Purchase Price(VND)	Note1	Note2
001	266130-9	TAPPING SCREW BIND PT 3X16		8					
002	183P27-2	HOUSING SET		1					
C10	263005-3	RUBBER PIN 6		2					
C20	252126-6	HEX. LOCK NUT M4-7		2					
D10		INC. 38							
003	268284-8	PIN 1.5		1					
004	263036-2	RUBBER PIN 5		1					
005	857A18-6	DTW300 NAME PLATE		1					
006	422584-2	BUMPER		1					
007	412556-5	HAMMER CASE COVER		1					
008	140T36-8	HAMMER CASE COMPLETE		1	*				
008-1	1410F7-0	HAMMER CASE COMPLETE	O	1					
009	265472-8	HEX. SOCKET HEAD BOLT M4X25		4					
010	261154-0	NYLON WASHER 28		1					
011	231907-1	RING SPRING 10		1					
013	136223-5	ANVIL E ASSY		1	*				
D10		INC. 11							
013-1	136223-5	ANVIL E ASSY	O	1	*				
D10		INC. 11							
013-2	136223-5	ANVIL E ASSY	O	1					
D10		INC. 11							
014	327572-3	HAMMER		1					
015	216001-0	STEEL BALL 3.5		24					
016	267175-0	FLAT WASHER 24		1					
017	232615-7	COMPRESSION SPRING 25		1					
018	216011-7	STEEL BALL 5.6		2					
019	227338-0	SPUR GEAR 22		3					
020	327573-1	SPINDLE		1					
021	268311-1	PIN 5		3					
022	233910-8	RING SPRING 43		1					
023	227337-2	INTERNAL GEAR 51		1					
024	213785-1	O-RING 49		1					
025	140T37-6	INTERNAL GEAR CASE COMPLETE		1					
026	266490-9	TAPPING SCREW PT 2X6		3					
027	652069-6	FLAT HEAD SCREW M3X6		3					
028	620C64-2	CONTROLLER		1					
029	629477-6	STATOR		1	*				
029-1	629A98-0	STATOR	O	1					
030	619626-3	ROTOR		1					
031	412555-7	REAR COVER		1					
032	266130-9	TAPPING SCREW BIND PT 3X16		2					
033	620521-2	LED CIRCUIT		1					
034	455053-8	F/R CHANGE LEVER		1					
035	651443-5	SWITCH C3JR-4B		1					
036	643874-2	TERMINAL		1					
037	140T43-1	SWITCH PLATE COMPLETE		1	*				
C10	801259-8	SWITCH LABEL		1	*				

037-1	141Y82-4	SWITCH PLATE COMPLETE	O	1				
C10	8012S9-8	SWITCH LABEL		1				
038	183P27-2	HOUSING SET		1				
C10	263005-3	RUBBER PIN 6		2				
C20	252126-6	HEX. LOCK NUT M4-7		2				
D10		INC. 2						
039	424517-3	CUSHION		1				
040	163400-6	HANDSTRAP		1				
041	857A26-7	DTW300 SERIAL NUMBER LABEL		1				
A01	266622-8	+ TRUSS HEAD SCREW M4X12		1				
A02	346317-0	HOOK		1				
A10	197941-0	TOOL HANGER SET(WITH STRAP)		1				
C10	161464-4	SHOULDER STRAP		1				
C20	197940-2	TOOL HANGER SET		1				
C30	266622-8	+ TRUSS HEAD SCREW M4X12		2				
F03	191K57-9	TOOL HANGER SET		1				
A03	821550-0	CONNECTOR PLASTIC CASE (TYP E2)		1				
C10	453974-8	LATCH		4				
A04	835L10-8	INNER TRAY		1				
A05	8013Y9-6	DTW300RTJ PLASTIC CASE LABEL		2	*			
A05-1	8042J7-8	DTW300RTJ PLASTIC CASE LABEL	O	2				
A06	8013Y8-8	DTW300RTJ INDICATION LABEL		1				
A07	***DC18RC	DC18RC FAST CHARGER		1				
D10		COMPO-PARTS						
A08	450128-8	BATTERY COVER		1				
A09	197280-8	BATTERY BL1850B SET		2				
A05	8029V7-8	DTW300FJX4 PLASTIC CASE LABEL		2	*			
A05-1	8042K3-3	DTW300FJX4 PLASTIC CASE LABEL	O	2				
A06	8029V6-0	DTW300FJX4 INDICATION LABEL		1				
A09	197600-6	BATTERY BL1830B SET		2				
A11	B-66248	1/2 SQ. DR. EXTENSION 150MM		1				
A12	B-66232	9PC IMPACT SOCKET CASE SET		1	*			
A12-1	E-16570	IMPACT SOCKET IMPACT BLACK9 PCS	O	1				

Please state Parts No. when your order.

Print Date 18/07/2024