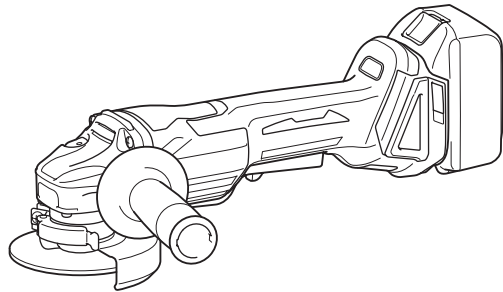
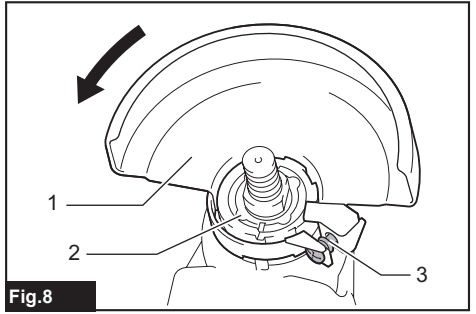
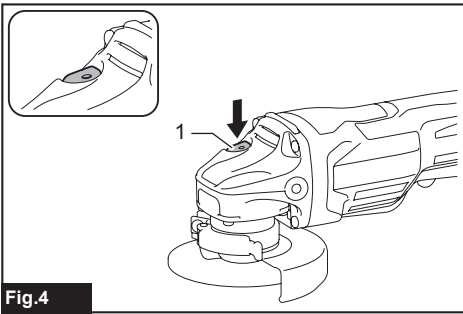
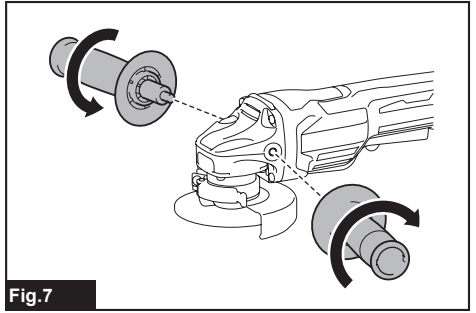
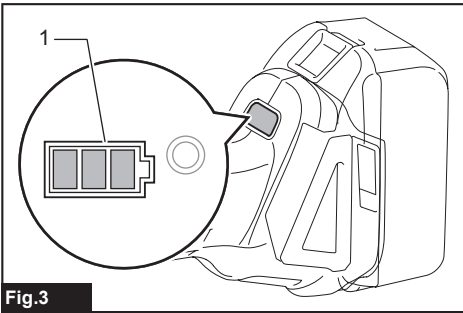
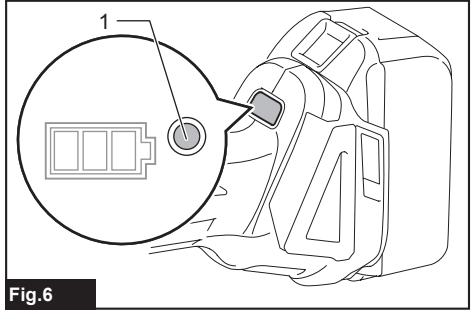
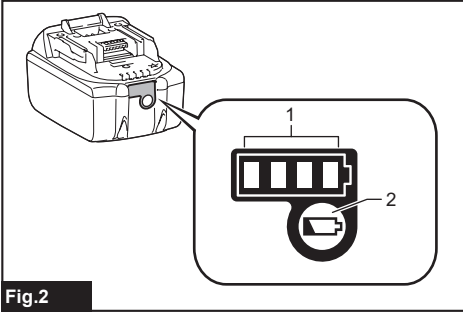
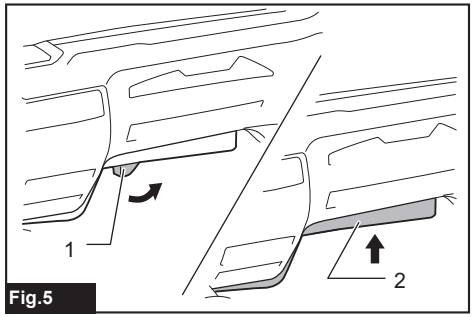
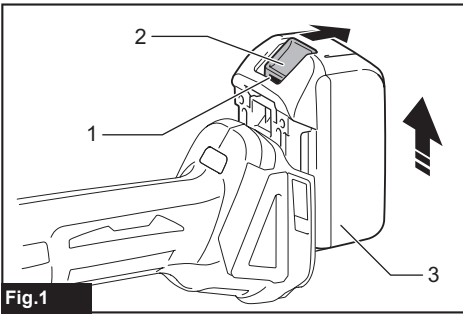




EN	Cordless Angle Grinder	INSTRUCTION MANUAL	6
ID	Gerinda Sudut Listrik Tanpa Kabel	PETUNJUK PENGGUNAAN	16
VI	Máy Mài Góc Cầm Tay Hoạt Động Bằng Pin	TÀI LIỆU HƯỚNG DẪN	28
TH	เครื่องขัดมุมไร้สาย	คู่มือการใช้งาน	39

DGA408
DGA458
DGA508





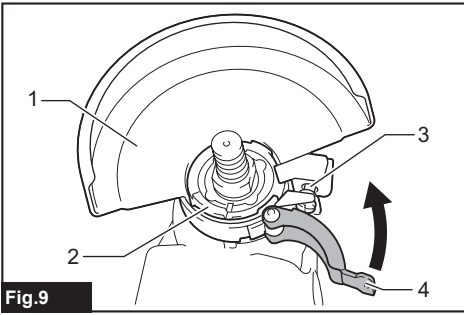


Fig.9

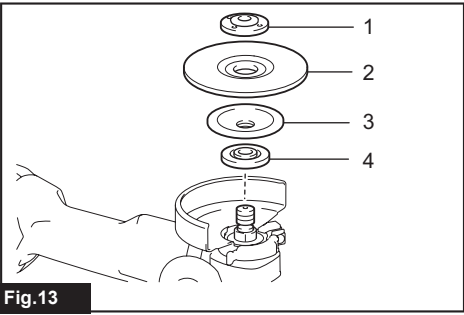


Fig.13

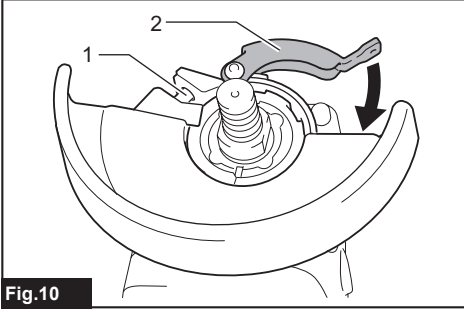


Fig.10

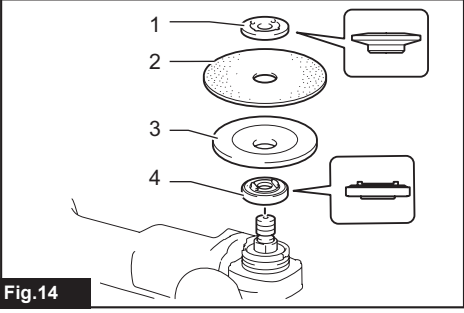


Fig.14

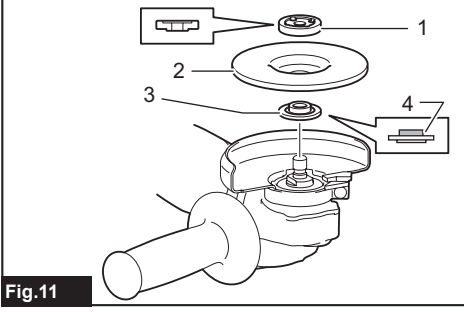


Fig.11

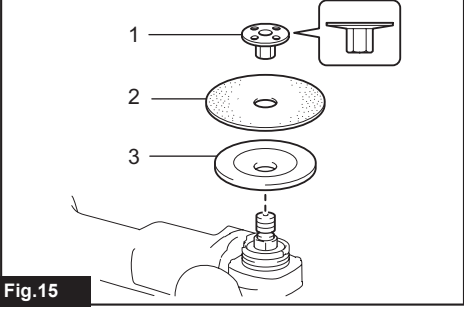


Fig.15

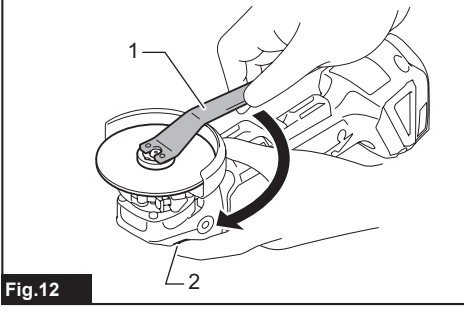


Fig.12

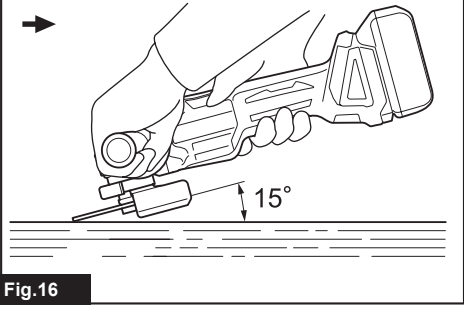


Fig.16

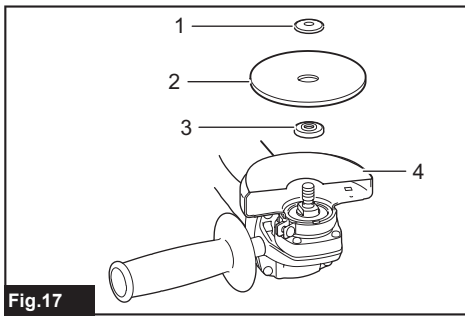


Fig.17

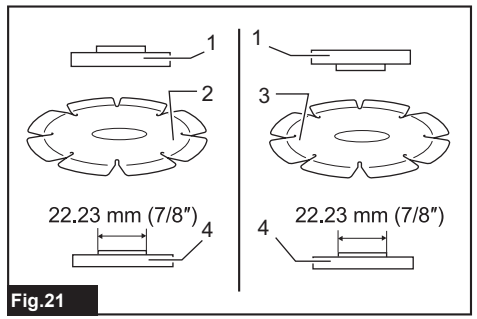


Fig.21

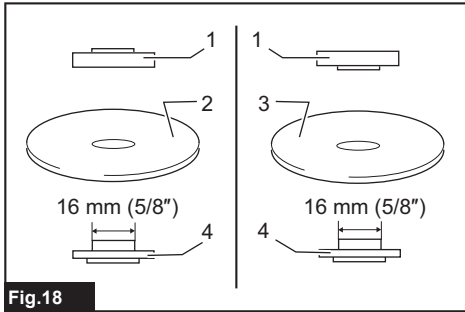


Fig.18

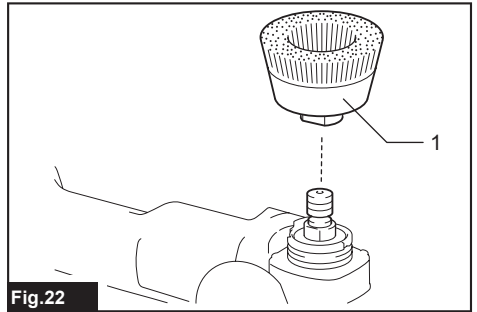


Fig.22

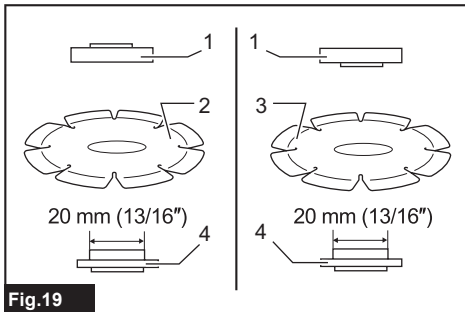


Fig.19

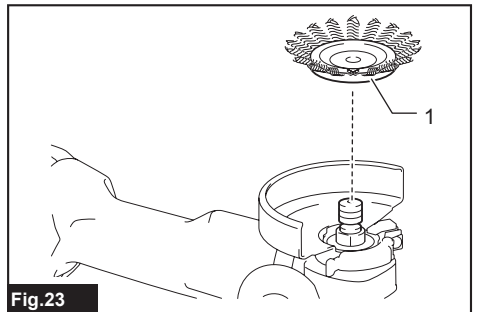


Fig.23

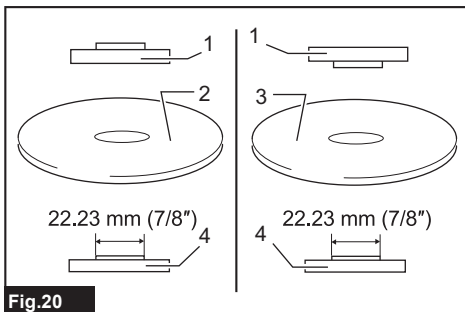


Fig.20

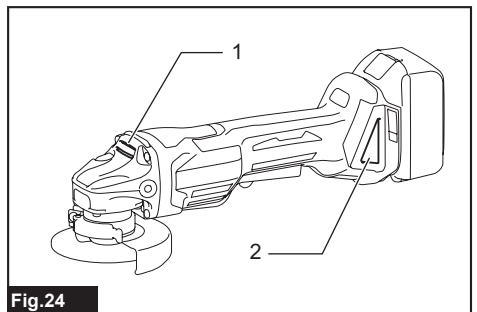


Fig.24

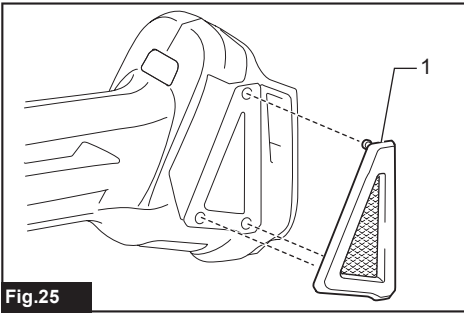


Fig.25

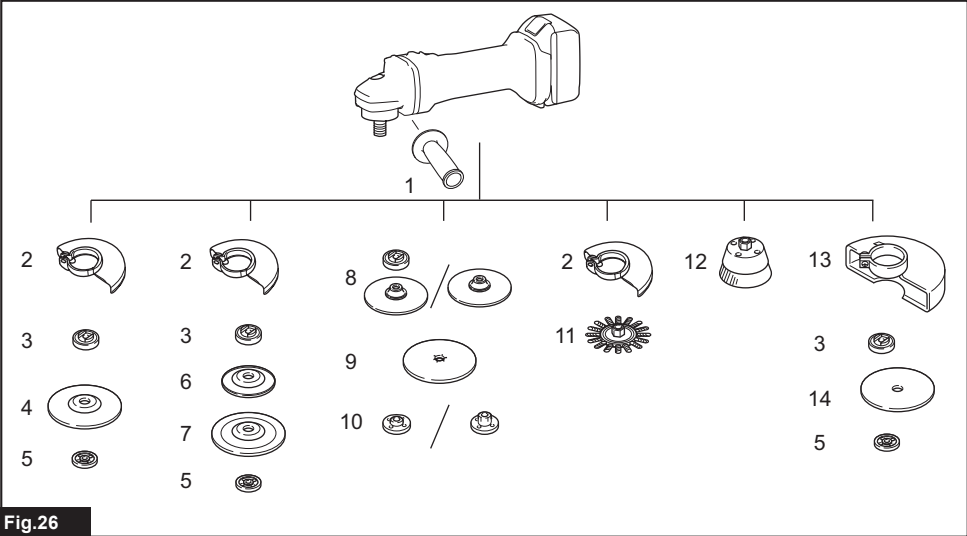


Fig.26

SPECIFICATIONS

Model:	DGA408	DGA458	DGA508
Wheel diameter	100mm (4")	115mm (4-1/2")	125mm (5")
Max. wheel thickness	6.4mm		
Spindle thread	M10	M14 or 5/8" (country specific)	
Rated speed (n)	8,500min ⁻¹		
Overall length	With battery cartridge BL1815N, BL1820, BL1820B	348mm	
	With battery cartridge BL1830, BL1830B, BL1840, BL1840B, BL1850, BL1850B, BL1860B	362mm	
Net weight	With battery cartridge BL1815N, BL1820, BL1820B	2.2kg	2.4kg
	With battery cartridge BL1830, BL1830B, BL1840, BL1840B, BL1850, BL1850B, BL1860B	2.5kg	2.6kg
Rated voltage	D.C. 18 V		

- Due to our continuing program of research and development, the specifications herein are subject to change without notice.
- Specifications and battery cartridge may differ from country to country.
- Weight, with battery cartridge, according to EPTA-Procedure 01/2003

Symbols

The following show the symbols used for the equipment. Be sure that you understand their meaning before use.



Read instruction manual.



Wear safety glasses.



Cd
Ni-MH
Li-ion

Only for EU countries
Do not dispose of electric equipment or battery pack together with household waste material!

In observance of the European Directives, on Waste Electric and Electronic Equipment and Batteries and Accumulators and Waste Batteries and Accumulators and their implementation in accordance with national laws, electric equipment and batteries and battery pack(s) that have reached the end of their life must be collected separately and returned to an environmentally compatible recycling facility.

Intended use

The tool is intended for grinding, sanding and cutting of metal and stone materials without the use of water.

General power tool safety warnings

⚠ WARNING: Read all safety warnings and all instructions. Failure to follow the warnings and instructions may result in electric shock, fire and/or serious injury.

Save all warnings and instructions for future reference.

The term "power tool" in the warnings refers to your mains-operated (corded) power tool or battery-operated (cordless) power tool.

Work area safety

1. **Keep work area clean and well lit.** Cluttered or dark areas invite accidents.
2. **Do not operate power tools in explosive atmospheres, such as in the presence of flammable liquids, gases or dust.** Power tools create sparks which may ignite the dust or fumes.
3. **Keep children and bystanders away while operating a power tool.** Distractions can cause you to lose control.

Electrical Safety

1. **Power tool plugs must match the outlet. Never modify the plug in any way. Do not use any adapter plugs with earthed (grounded) power tools.** Unmodified plugs and matching outlets will reduce risk of electric shock.
2. **Avoid body contact with earthed or grounded surfaces such as pipes, radiators, ranges and**

refrigerators. There is an increased risk of electric shock if your body is earthed or grounded.

3. **Do not expose power tools to rain or wet conditions.** Water entering a power tool will increase the risk of electric shock.
4. **Do not abuse the cord. Never use the cord for carrying, pulling or unplugging the power tool. Keep cord away from heat, oil, sharp edges or moving parts.** Damaged or entangled cords increase the risk of electric shock.
5. **When operating a power tool outdoors, use an extension cord suitable for outdoor use.** Use of a cord suitable for outdoor use reduces the risk of electric shock.
6. **If operating a power tool in a damp location is unavoidable, use a residual current device (RCD) protected supply.** Use of an RCD reduces the risk of electric shock.

Personal Safety

1. **Stay alert, watch what you are doing and use common sense when operating a power tool. Do not use a power tool while you are tired or under the influence of drugs, alcohol or medication.** A moment of inattention while operating power tools may result in serious personal injury.
2. **Use personal protective equipment. Always wear eye protection.** Protective equipment such as dust mask, non-skid safety shoes, hard hat, or hearing protection used for appropriate conditions will reduce personal injuries.
3. **Prevent unintentional starting. Ensure the switch is in the off-position before connecting to power source and/or battery pack, picking up or carrying the tool.** Carrying power tools with your finger on the switch or energising power tools that have the switch on invites accidents.
4. **Remove any adjusting key or wrench before turning the power tool on.** A wrench or a key left attached to a rotating part of the power tool may result in personal injury.
5. **Do not overreach. Keep proper footing and balance at all times.** This enables better control of the power tool in unexpected situations.
6. **Dress properly. Do not wear loose clothing or jewellery. Keep your hair, clothing, and gloves away from moving parts.** Loose clothes, jewellery or long hair can be caught in moving parts.
7. **If devices are provided for the connection of dust extraction and collection facilities, ensure these are connected and properly used.** Use of dust collection can reduce dust-related hazards.

Power tool use and care

1. **Do not force the power tool. Use the correct power tool for your application.** The correct power tool will do the job better and safer at the rate for which it was designed.
2. **Do not use the power tool if the switch does not turn it on and off.** Any power tool that cannot be controlled with the switch is dangerous and must be repaired.
3. **Disconnect the plug from the power source and/or the battery pack from the power tool before making any adjustments, changing accessories, or storing power tools.** Such

preventive safety measures reduce the risk of starting the power tool accidentally.

4. **Store idle power tools out of the reach of children and do not allow persons unfamiliar with the power tool or these instructions to operate the power tool.** Power tools are dangerous in the hands of untrained users.
5. **Maintain power tools. Check for misalignment or binding of moving parts, breakage of parts and any other condition that may affect the power tool's operation. If damaged, have the power tool repaired before use.** Many accidents are caused by poorly maintained power tools.
6. **Keep cutting tools sharp and clean.** Properly maintained cutting tools with sharp cutting edges are less likely to bind and are easier to control.
7. **Use the power tool, accessories and tool bits etc. in accordance with these instructions, taking into account the working conditions and the work to be performed.** Use of the power tool for operations different from those intended could result in a hazardous situation.

Battery tool use and care

1. **Recharge only with the charger specified by the manufacturer.** A charger that is suitable for one type of battery pack may create a risk of fire when used with another battery pack.
2. **Use power tools only with specifically designed battery packs.** Use of any other battery packs may create a risk of injury and fire.
3. **When battery pack is not in use, keep it away from other metal objects, like paper clips, coins, keys, nails, screws or other small metal objects, that can make a connection from one terminal to another.** Shorting the battery terminals together may cause burns or a fire.
4. **Under abusive conditions, liquid may be ejected from the battery; avoid contact. If contact accidentally occurs, flush with water. If liquid contacts eyes, additionally seek medical help.** Liquid ejected from the battery may cause irritation or burns.

Service

1. **Have your power tool serviced by a qualified repair person using only identical replacement parts.** This will ensure that the safety of the power tool is maintained.
2. **Follow instruction for lubricating and changing accessories.**
3. **Keep handles dry, clean and free from oil and grease.**

Cordless grinder safety warnings

Safety Warnings Common for Grinding, Sanding, Wire Brushing, or Abrasive Cutting-Off Operations:

1. **This power tool is intended to function as a grinder, sander, wire brush or cut-off tool. Read all safety warnings, instructions, illustrations and specifications provided with this power tool.** Failure to follow all instructions listed below may result in electric shock, fire and/or serious injury.
2. **Operations such as polishing are not**

- recommended to be performed with this power tool.** Operations for which the power tool was not designed may create a hazard and cause personal injury.
3. **Do not use accessories which are not specifically designed and recommended by the tool manufacturer.** Just because the accessory can be attached to your power tool, it does not assure safe operation.
 4. **The rated speed of the accessory must be at least equal to the maximum speed marked on the power tool.** Accessories running faster than their rated speed can break and fly apart.
 5. **The outside diameter and the thickness of your accessory must be within the capacity rating of your power tool.** Incorrectly sized accessories cannot be adequately guarded or controlled.
 6. **Threaded mounting of accessories must match the grinder spindle thread. For accessories mounted by flanges, the arbour hole of the accessory must fit the locating diameter of the flange.** Accessories that do not match the mounting hardware of the power tool will run out of balance, vibrate excessively and may cause loss of control.
 7. **Do not use a damaged accessory. Before each use inspect the accessory such as abrasive wheels for chips and cracks, backing pad for cracks, tear or excess wear, wire brush for loose or cracked wires. If power tool or accessory is dropped, inspect for damage or install an undamaged accessory. After inspecting and installing an accessory, position yourself and bystanders away from the plane of the rotating accessory and run the power tool at maximum no-load speed for one minute.** Damaged accessories will normally break apart during this test time.
 8. **Wear personal protective equipment. Depending on application, use face shield, safety goggles or safety glasses. As appropriate, wear dust mask, hearing protectors, gloves and workshop apron capable of stopping small abrasive or workpiece fragments.** The eye protection must be capable of stopping flying debris generated by various operations. The dust mask or respirator must be capable of filtering particles generated by your operation. Prolonged exposure to high intensity noise may cause hearing loss.
 9. **Keep bystanders a safe distance away from work area. Anyone entering the work area must wear personal protective equipment.** Fragments of workpiece or of a broken accessory may fly away and cause injury beyond immediate area of operation.
 10. **Hold the power tool by insulated gripping surfaces only, when performing an operation where the cutting tool may contact hidden wiring.** Contact with a "live" wire will also make exposed metal parts of the power tool "live" and could give the operator an electric shock.
 11. **Never lay the power tool down until the accessory has come to a complete stop.** The spinning accessory may grab the surface and pull the power tool out of your control.
 12. **Do not run the power tool while carrying it at your side.** Accidental contact with the spinning accessory could snag your clothing, pulling the accessory into your body.
 13. **Regularly clean the power tool's air vents.** The motor's fan will draw the dust inside the housing and excessive accumulation of powdered metal may cause electrical hazards.
 14. **Do not operate the power tool near flammable materials.** Sparks could ignite these materials.
 15. **Do not use accessories that require liquid coolants.** Using water or other liquid coolants may result in electrocution or shock.
- Kickback and Related Warnings**
- Kickback is a sudden reaction to a pinched or snagged rotating wheel, backing pad, brush or any other accessory. Pinching or snagging causes rapid stalling of the rotating accessory which in turn causes the uncontrolled power tool to be forced in the direction opposite of the accessory's rotation at the point of the binding. For example, if an abrasive wheel is snagged or pinched by the workpiece, the edge of the wheel that is entering into the pinch point can dig into the surface of the material causing the wheel to climb out or kick out. The wheel may either jump toward or away from the operator, depending on direction of the wheel's movement at the point of pinching. Abrasive wheels may also break under these conditions.
- Kickback is the result of power tool misuse and/or incorrect operating procedures or conditions and can be avoided by taking proper precautions as given below.
1. **Maintain a firm grip on the power tool and position your body and arm to allow you to resist kickback forces. Always use auxiliary handle, if provided, for maximum control over kickback or torque reaction during start-up.** The operator can control torque reactions or kickback forces, if proper precautions are taken.
 2. **Never place your hand near the rotating accessory.** Accessory may kickback over your hand.
 3. **Do not position your body in the area where power tool will move if kickback occurs.** Kickback will propel the tool in direction opposite to the wheel's movement at the point of snagging.
 4. **Use special care when working corners, sharp edges etc. Avoid bouncing and snagging the accessory.** Corners, sharp edges or bouncing have a tendency to snag the rotating accessory and cause loss of control or kickback.
 5. **Do not attach a saw chain woodcarving blade or toothed saw blade.** Such blades create frequent kickback and loss of control.
- Safety Warnings Specific for Grinding and Abrasive Cutting-Off Operations:**
1. **Use only wheel types that are recommended for your power tool and the specific guard designed for the selected wheel.** Wheels for which the power tool was not designed cannot be adequately guarded and are unsafe.
 2. **The grinding surface of centre depressed wheels must be mounted below the plane of the guard lip.** An improperly mounted wheel that projects through the plane of the guard lip cannot be adequately protected.

3. **The guard must be securely attached to the power tool and positioned for maximum safety, so the least amount of wheel is exposed towards the operator.** The guard helps to protect the operator from broken wheel fragments, accidental contact with wheel and sparks that could ignite clothing.
4. **Wheels must be used only for recommended applications. For example: do not grind with the side of cut-off wheel.** Abrasive cut-off wheels are intended for peripheral grinding, side forces applied to these wheels may cause them to shatter.
5. **Always use undamaged wheel flanges that are of correct size and shape for your selected wheel.** Proper wheel flanges support the wheel thus reducing the possibility of wheel breakage. Flanges for cut-off wheels may be different from grinding wheel flanges.
6. **Do not use worn down wheels from larger power tools.** Wheel intended for larger power tool is not suitable for the higher speed of a smaller tool and may burst.

Additional Safety Warnings Specific for Abrasive Cutting-Off Operations:

1. **Do not “jam” the cut-off wheel or apply excessive pressure. Do not attempt to make an excessive depth of cut.** Overstressing the wheel increases the loading and susceptibility to twisting or binding of the wheel in the cut and the possibility of kickback or wheel breakage.
2. **Do not position your body in line with and behind the rotating wheel.** When the wheel, at the point of operation, is moving away from your body, the possible kickback may propel the spinning wheel and the power tool directly at you.
3. **When wheel is binding or when interrupting a cut for any reason, switch off the power tool and hold the power tool motionless until the wheel comes to a complete stop. Never attempt to remove the cut-off wheel from the cut while the wheel is in motion otherwise kickback may occur.** Investigate and take corrective action to eliminate the cause of wheel binding.
4. **Do not restart the cutting operation in the workpiece. Let the wheel reach full speed and carefully re-enter the cut.** The wheel may bind, walk up or kickback if the power tool is restarted in the workpiece.
5. **Support panels or any oversized workpiece to minimize the risk of wheel pinching and kickback.** Large workpieces tend to sag under their own weight. Supports must be placed under the workpiece near the line of cut and near the edge of the workpiece on both sides of the wheel.
6. **Use extra caution when making a “pocket cut” into existing walls or other blind areas.** The protruding wheel may cut gas or water pipes, electrical wiring or objects that can cause kickback.

Safety Warnings Specific for Sanding Operations:

1. **Do not use excessively oversized sanding disc paper. Follow manufacturers recommendations, when selecting sanding paper.** Larger sanding paper extending beyond the sanding pad presents a laceration hazard and may cause

snagging, tearing of the disc or kickback.

Safety Warnings Specific for Wire Brushing Operations:

1. **Be aware that wire bristles are thrown by the brush even during ordinary operation. Do not overstress the wires by applying excessive load to the brush.** The wire bristles can easily penetrate light clothing and/or skin.
2. **If the use of a guard is recommended for wire brushing, do not allow any interference of the wire wheel or brush with the guard.** Wire wheel or brush may expand in diameter due to work load and centrifugal forces.

Additional Safety Warnings:

1. **When using depressed centre grinding wheels, be sure to use only fiberglass-reinforced wheels.**
2. **NEVER USE Stone Cup type wheels with this grinder.** This grinder is not designed for these types of wheels and the use of such a product may result in serious personal injury.
3. **Be careful not to damage the spindle, the flange (especially the installing surface) or the lock nut. Damage to these parts could result in wheel breakage.**
4. **Make sure the wheel is not contacting the workpiece before the switch is turned on.**
5. **Before using the tool on an actual workpiece, let it run for a while. Watch for vibration or wobbling that could indicate poor installation or a poorly balanced wheel.**
6. **Use the specified surface of the wheel to perform the grinding.**
7. **Do not leave the tool running. Operate the tool only when hand-held.**
8. **Do not touch the workpiece immediately after operation; it may be extremely hot and could burn your skin.**
9. **Observe the instructions of the manufacturer for correct mounting and use of wheels. Handle and store wheels with care.**
10. **Do not use separate reducing bushings or adaptors to adapt large hole abrasive wheels.**
11. **Use only flanges specified for this tool.**
12. **For tools intended to be fitted with threaded hole wheel, ensure that the thread in the wheel is long enough to accept the spindle length.**
13. **Check that the workpiece is properly supported.**
14. **Pay attention that the wheel continues to rotate after the tool is switched off.**
15. **If working place is extremely hot and humid, or badly polluted by conductive dust, use a short-circuit breaker (30 mA) to assure operator safety.**
16. **Do not use the tool on any materials containing asbestos.**
17. **When use cut-off wheel, always work with the dust collecting wheel guard required by domestic regulation.**
18. **Cutting discs must not be subjected to any lateral pressure.**

19. **Do not use cloth work gloves during operation.** Fibers from cloth gloves may enter the tool, which causes tool breakage.

SAVE THESE INSTRUCTIONS.

⚠WARNING: DO NOT let comfort or familiarity with product (gained from repeated use) replace strict adherence to safety rules for the subject product. MISUSE or failure to follow the safety rules stated in this instruction manual may cause serious personal injury.

Important safety instructions for battery cartridge

1. **Before using battery cartridge, read all instructions and cautionary markings on (1) battery charger, (2) battery, and (3) product using battery.**
2. **Do not disassemble battery cartridge.**
3. **If operating time has become excessively shorter, stop operating immediately. It may result in a risk of overheating, possible burns and even an explosion.**
4. **If electrolyte gets into your eyes, rinse them out with clear water and seek medical attention right away. It may result in loss of your eyesight.**
5. **Do not short the battery cartridge:**
 - (1) **Do not touch the terminals with any conductive material.**
 - (2) **Avoid storing battery cartridge in a container with other metal objects such as nails, coins, etc.**
 - (3) **Do not expose battery cartridge to water or rain.**

A battery short can cause a large current flow, overheating, possible burns and even a breakdown.

6. **Do not store the tool and battery cartridge in locations where the temperature may reach or exceed 50 °C (122 °F).**
7. **Do not incinerate the battery cartridge even if it is severely damaged or is completely worn out. The battery cartridge can explode in a fire.**
8. **Be careful not to drop or strike battery.**
9. **Do not use a damaged battery.**
10. **The contained lithium-ion batteries are subject to the Dangerous Goods Legislation requirements.**

For commercial transports e.g. by third parties, forwarding agents, special requirement on packaging and labeling must be observed.
For preparation of the item being shipped, consulting an expert for hazardous material is required.
Please also observe possibly more detailed national regulations.
Tape or mask off open contacts and pack up the battery in such a manner that it cannot move around in the packaging.
11. **Follow your local regulations relating to disposal of battery.**

SAVE THESE INSTRUCTIONS.

⚠CAUTION: Only use genuine Makita batteries. Use of non-genuine Makita batteries, or batteries that have been altered, may result in the battery bursting causing fires, personal injury and damage. It will also void the Makita warranty for the Makita tool and charger.

Tips for maintaining maximum battery life

1. **Charge the battery cartridge before completely discharged. Always stop tool operation and charge the battery cartridge when you notice less tool power.**
2. **Never recharge a fully charged battery cartridge. Overcharging shortens the battery service life.**
3. **Charge the battery cartridge with room temperature at 10 °C - 40 °C (50 °F - 104 °F). Let a hot battery cartridge cool down before charging it.**
4. **Charge the battery cartridge if you do not use it for a long period (more than six months).**

FUNCTIONAL DESCRIPTION

⚠CAUTION: Always be sure that the tool is switched off and the battery cartridge is removed before adjusting or checking function on the tool.

Installing or removing battery cartridge

⚠CAUTION: Always switch off the tool before installing or removing of the battery cartridge.

⚠CAUTION: Hold the tool and the battery cartridge firmly when installing or removing battery cartridge. Failure to hold the tool and the battery cartridge firmly may cause them to slip off your hands and result in damage to the tool and battery cartridge and a personal injury.

► Fig.1: 1. Red indicator 2. Button 3. Battery cartridge

To remove the battery cartridge, slide it from the tool while sliding the button on the front of the cartridge.

To install the battery cartridge, align the tongue on the battery cartridge with the groove in the housing and slip it into place. Insert it all the way until it locks in place with a little click. If you can see the red indicator on the upper side of the button, it is not locked completely.

CAUTION: Always install the battery cartridge fully until the red indicator cannot be seen. If not, it may accidentally fall out of the tool, causing injury to you or someone around you.

CAUTION: Do not install the battery cartridge forcibly. If the cartridge does not slide in easily, it is not being inserted correctly.

Indicating the remaining battery capacity

Only for battery cartridges with “B” at the end of the model number

► Fig.2: 1. Indicator lamps 2. Check button

Press the check button on the battery cartridge to indicate the remaining battery capacity. The indicator lamps light up for few seconds.

Indicator lamps			Remaining capacity
Lighted	Off	Blinking	
■	■	■	75% to 100%
■	■	■	50% to 75%
■	■	□	25% to 50%
■	□	□	0% to 25%
◐	□	□	Charge the battery.
■	■	□	The battery may have malfunctioned.
□	□	■	

NOTE: Depending on the conditions of use and the ambient temperature, the indication may differ slightly from the actual capacity.

Indicating the remaining battery capacity

Country specific

When you turn the tool on, the battery indicator shows the remaining battery capacity.

► Fig.3: 1. Battery indicator

The remaining battery capacity is shown as the following table.

Battery indicator status			Remaining battery capacity
On	Off	Blinking	
			50% - 100%
			20% - 50%
			0% - 20%
			Charge the battery

Tool / battery protection system

The tool is equipped with a tool/battery protection system. This system automatically cuts off power to the motor to extend tool and battery life. The tool will automatically stop during operation if the tool or battery is placed under one of the following conditions. In some conditions, the indicators light up.

Overload protection

When the tool is operated in a manner that causes it to draw an abnormally high current, the tool automatically stops without any indication. In this situation, turn the tool off and stop the application that caused the tool to become overloaded. Then turn the tool on to restart.

Overheat protection

When the tool is overheated, the tool stops automatically and the battery indicator shows following state. In this situation, let the tool cool before turning the tool on again.

On	Blinking

If the tool does not start, the battery may be overheated. In this situation, let the battery cool before starting the tool again.

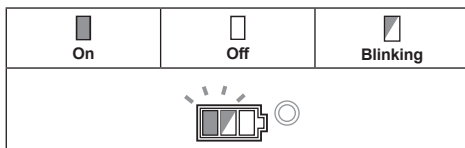
Overdischarge protection

When the battery capacity is not enough, the tool stops automatically. In this case, remove the battery from the tool and charge the battery.

Releasing protection lock

When the protection system works repeatedly, the tool is locked and the battery indicator shows the following state.

In this situation, the tool does not start even if turning the tool off and on. To release the protection lock, remove the battery, set it to the battery charger and wait until the charging finishes.



Shaft lock

Press the shaft lock to prevent spindle rotation when installing or removing accessories.

► **Fig.4:** 1. Shaft lock

NOTICE: Never actuate the shaft lock when the spindle is moving. The tool may be damaged.

Switch action

CAUTION: Before installing the battery cartridge into the tool, always check to see that the switch lever actuates properly and returns to the “OFF” position when released.

CAUTION: Do not pull the switch lever hard without pulling the lock-off lever. This can cause switch breakage.



To prevent the switch lever from being accidentally pulled, a lock-off lever is provided. To start the tool, pull the lock-off lever toward the operator and then pull the switch lever.

To stop the tool, release the switch lever.

► **Fig.5:** 1. Lock-off lever 2. Switch lever

Automatic speed change function

► **Fig.6:** 1. Mode indicator

Mode indicator status	Operation mode
	High speed mode
	High torque mode

This tool has “high speed mode” and “high torque mode”. It automatically changes operation mode depending on the work load. When mode indicator lights up during operation, the tool is in high torque mode.

Accidental re-start preventive function

Even if installing the battery cartridge while pulling the switch lever, the tool does not start.

To start the tool, first release the switch lever. Then pull the lock-off lever, and pull the switch lever.

Electronic torque control function

The tool electronically detects situations where the wheel or accessory may be at risk to be bound. In the situation, the tool is automatically shut off to prevent further rotation of the spindle (it does not prevent kickback).

To restart the tool, switch off the tool first, remove the cause of sudden drop in the rotation speed, and then turn the tool on.

Soft start feature

Soft start feature reduces starting reaction.

Electric brake

Electric brake is activated after the tool is switched off. The brake does not work when the power supply is shut down, such as the battery is removed accidentally, with the switch still on.

ASSEMBLY

CAUTION: Always be sure that the tool is switched off and the battery cartridge is removed before adjusting or checking function on the tool.

Installing side grip (handle)

CAUTION: Always be sure that the side grip is installed securely before operation.

Screw the side grip securely on the position of the tool as shown in the figure.

► **Fig.7**

Installing or removing wheel guard (For depressed center wheel, flap disc, flex wheel, wire wheel brush / abrasive cut-off wheel, diamond wheel)

WARNING: When using a depressed center wheel, flap disc, flex wheel or wire wheel brush, the wheel guard must be fitted on the tool so that the closed side of the guard always points toward the operator.

WARNING: When using an abrasive cut-off / diamond wheel, be sure to use only the special wheel guard designed for use with cut-off wheels.

(In some European countries, when using a diamond wheel, the ordinary guard can be used. Follow the regulations in your country.)

For tool with locking screw type wheel guard

Mount the wheel guard with the protrusions on the wheel guard band aligned with the notches on the bearing box. Then rotate the wheel guard to such an angle that it can protect the operator according to work. Be sure to tighten the screw securely.

To remove wheel guard, follow the installation procedure in reverse.

► **Fig.8:** 1. Wheel guard 2. Bearing box 3. Screw

For tool with clamp lever type wheel guard

Loosen the screw, and then pull the lever in the direction of the arrow. Mount the wheel guard with the protrusions on the wheel guard band aligned with the notches on the bearing box. Then rotate the wheel guard to such an angle that it can protect the operator according to work.

► **Fig.9:** 1. Wheel guard 2. Bearing box 3. Screw 4. Lever

Pull the lever in direction of the arrow. Then tighten the wheel guard with fastening the screw. Be sure to tighten the screw securely. The setting angle of the wheel guard can be adjusted with the lever.

► **Fig.10:** 1. Screw 2. Lever

To remove wheel guard, follow the installation procedure in reverse.

Installing or removing depressed center wheel or flap disc

Optional accessory

⚠ WARNING: When using a depressed center wheel or flap disc, the wheel guard must be fitted on the tool so that the closed side of the guard always points toward the operator.

⚠ CAUTION: Make sure that the mounting part of the inner flange fits into the inner diameter of the depressed center wheel / flap disc perfectly. Mounting the inner flange on the wrong side may result in the dangerous vibration.

Mount the inner flange onto the spindle.

Make sure to fit the dented part of the inner flange onto the straight part at the bottom of the spindle.

Fit the depressed center wheel / flap disc on the inner flange and screw the lock nut onto the spindle.

► **Fig.11:** 1. Lock nut 2. Depressed center wheel 3. Inner flange 4. Mounting part

To tighten the lock nut, press the shaft lock firmly so that the spindle cannot revolve, then use the lock nut wrench and securely tighten clockwise.

► **Fig.12:** 1. Lock nut wrench 2. Shaft lock

To remove the wheel, follow the installation procedure in reverse.

Installing or removing flex wheel

Optional accessory

⚠ WARNING: Always use supplied guard when flex wheel is on tool. Wheel can shatter during use and guard helps to reduce chances of personal injury.

► **Fig.13:** 1. Lock nut 2. Flex wheel 3. Back up pad 4. Inner flange

Follow instructions for depressed center wheel but also use back up pad over wheel. See order of assembly on accessories page in this manual.

Installing or removing abrasive disc

Optional accessory

NOTE: Use sander accessories specified in this manual. These must be purchased separately.

For 100 mm (4") model

► **Fig.14:** 1. Sanding lock nut 2. Abrasive disc 3. Rubber pad 4. Inner flange

1. Mount the inner flange onto the spindle.
2. Mount the rubber pad onto the spindle.
3. Fit the disc on the rubber pad and screw the sanding lock nut onto the spindle.
4. Hold the spindle with the shaft lock, and securely tighten the sanding lock nut clockwise with the lock nut wrench.

To remove the disc, follow the installation procedure in reverse.

For 115 mm (4 - 1/2") / 125 mm (5") model

► **Fig.15:** 1. Sanding lock nut 2. Abrasive disc 3. Rubber pad

1. Mount the rubber pad onto the spindle.
2. Fit the disc on the rubber pad and screw the sanding lock nut onto the spindle.
3. Hold the spindle with the shaft lock, and securely tighten the sanding lock nut clockwise with the lock nut wrench.

To remove the disc, follow the installation procedure in reverse.

OPERATION

⚠ WARNING: It should never be necessary to force the tool. The weight of the tool applies adequate pressure. Forcing and excessive pressure could cause dangerous wheel breakage.

⚠ WARNING: ALWAYS replace wheel if tool is dropped while grinding.

⚠ WARNING: NEVER bang or hit grinding disc or wheel onto work.

⚠ WARNING: Avoid bouncing and snagging the wheel, especially when working corners, sharp edges etc. This can cause loss of control and kickback.

⚠ WARNING: NEVER use tool with wood cutting blades and other saw blades. Such blades when used on a grinder frequently kick and cause loss of control leading to personal injury.

⚠ CAUTION: Never switch on the tool when it is in contact with the workpiece, it may cause an injury to operator.

⚠ CAUTION: Always wear safety goggles or a face shield during operation.

⚠ CAUTION: After operation, always switch off the tool and wait until the wheel has come to a complete stop before putting the tool down.

⚠ CAUTION: ALWAYS hold the tool firmly with one hand on housing and the other on the side handle.

Grinding and sanding operation

► Fig.16

Turn the tool on and then apply the wheel or disc to the workpiece.

In general, keep the edge of the wheel or disc at an angle of about 15° to the workpiece surface.

During the break-in period with a new wheel, do not work the grinder in forward direction or it may cut into the workpiece. Once the edge of the wheel has been rounded off by use, the wheel may be worked in both forward and backward direction.

Operation with abrasive cut-off / diamond wheel

Optional accessory

⚠ WARNING: When using an abrasive cut-off / diamond wheel, be sure to use only the special wheel guard designed for use with cut-off wheels.

(In some European countries, when using a diamond wheel, the ordinary guard can be used. Follow the regulations in your country.)

⚠ WARNING: NEVER use cut-off wheel for side grinding.

⚠ WARNING: Do not “jam” the wheel or apply excessive pressure. Do not attempt to make an excessive depth of cut. Overstressing the wheel increases the loading and susceptibility to twisting or binding of the wheel in the cut and the possibility of kickback, wheel breakage and overheating of the motor may occur.

⚠ WARNING: Do not start the cutting operation in the workpiece. Let the wheel reach full speed and carefully enter into the cut moving the tool forward over the workpiece surface. The wheel may bind, walk up or kickback if the power tool is started in the workpiece.

⚠ WARNING: During cutting operations, never change the angle of the wheel. Placing side pressure on the cut-off wheel (as in grinding) will cause the wheel to crack and break, causing serious personal injury.

⚠ WARNING: A diamond wheel shall be operated perpendicular to the material being cut.

► Fig.17: 1. Lock nut 2. Abrasive cut-off wheel / diamond wheel 3. Inner flange 4. Wheel guard for abrasive cut-off wheel / diamond wheel

As for the installation, follow the instructions for depressed center wheel.

The direction for mounting the lock nut and the inner flange varies by wheel type and thickness. Refer to the following figures.

For 100 mm (4") model

When installing the abrasive cut-off wheel:

► Fig.18: 1. Lock nut 2. Abrasive cut-off wheel (Thinner than 4mm (5/32")) 3. Abrasive cut-off wheel (4mm (5/32") or thicker) 4. Inner flange

When installing the diamond wheel:

► Fig.19: 1. Lock nut 2. Diamond wheel (Thinner than 4mm (5/32")) 3. Diamond wheel (4mm (5/32") or thicker) 4. Inner flange

For 115 mm (4 - 1/2") / 125 mm (5") model

When installing the abrasive cut-off wheel:

► Fig.20: 1. Lock nut 2. Abrasive cut-off wheel (Thinner than 4mm (5/32")) 3. Abrasive cut-off wheel (4mm (5/32") or thicker) 4. Inner flange

When installing the diamond wheel:

► Fig.21: 1. Lock nut 2. Diamond wheel (Thinner than 4mm (5/32")) 3. Diamond wheel (4mm (5/32") or thicker) 4. Inner flange

Operation with wire cup brush

Optional accessory

⚠ CAUTION: Check operation of brush by running tool with no load, insuring that no one is in front of or in line with brush.

⚠ CAUTION: Do not use brush that is damaged, or which is out of balance. Use of damaged brush could increase potential for injury from contact with broken brush wires.

► Fig.22: 1. Wire cup brush

Remove the battery cartridge from the tool and place it upside down allowing easy access to spindle.

Remove any accessories on spindle. Thread wire cup brush onto spindle and tighten with supplied wrench.

NOTICE: Avoid applying too much pressure which causes over bending of wires when using brush. It may lead to premature breakage.

Operation with wire wheel brush

Optional accessory

CAUTION: Check operation of wire wheel brush by running tool with no load, insuring that no one is in front of or in line with the wire wheel brush.

CAUTION: Do not use wire wheel brush that is damaged, or which is out of balance. Use of damaged wire wheel brush could increase potential for injury from contact with broken wires.

CAUTION: ALWAYS use guard with wire wheel brushes, assuring diameter of wheel fits inside guard. Wheel can shatter during use and guard helps to reduce chances of personal injury.

► **Fig.23:** 1. Wire wheel brush

Remove the battery cartridge from the tool and place it upside down allowing easy access to spindle. Remove any accessories on spindle. Thread wire wheel brush onto spindle and tighten with the wrenches.

NOTICE: Avoid applying too much pressure which causes over bending of wires when using wire wheel brush. It may lead to premature breakage.

MAINTENANCE

CAUTION: Always be sure that the tool is switched off and the battery cartridge is removed before attempting to perform inspection or maintenance.

NOTICE: Never use gasoline, benzine, thinner, alcohol or the like. Discoloration, deformation or cracks may result.

Air vent cleaning

The tool and its air vents have to be kept clean. Regularly clean the tool's air vents or whenever the vents start to become obstructed.

► **Fig.24:** 1. Exhaust vent 2. Inhalation vent

Remove the dust cover from inhalation vent and clean it for smooth air circulation.

► **Fig.25:** 1. Dust cover

NOTE: Clean out the dust cover when it is clogged with dust or foreign matters. Continuing operation with a clogged dust cover may damage the tool.

OPTIONAL ACCESSORIES

CAUTION: These accessories or attachments are recommended for use with your Makita tool specified in this manual. The use of any other accessories or attachments might present a risk of injury to persons. Only use accessory or attachment for its stated purpose.

If you need any assistance for more details regarding these accessories, ask your local Makita Service Center.

- Makita genuine battery and charger

► **Fig.26**

-	100 mm (4") model	115 mm (4-1/2") model	125 mm (5") model
1	Grip 36		
2	Wheel Guard (for grinding wheel)		
3	Inner flange		
4	Depressed center wheel / Flap disc		
5	Lock nut		
6	Back up pad		
7	Flex wheel		
8	Inner flange and rubber pad 76	Rubber pad 100	Rubber pad 115
9	Abrasive disc		
10	Sanding lock nut		
11	Wire wheel brush		
12	Wire cup brush		
13	Wheel Guard (for cut-off wheel) *1		
14	Abrasive cut-off wheel / Diamond wheel		
-	Lock nut wrench		

NOTE: *1 In some European countries, when using a diamond wheel, the ordinary guard can be used instead of the special guard covering the both side of the wheel. Follow the regulations in your country.

NOTE: Some items in the list may be included in the tool package as standard accessories. They may differ from country to country.

SPEKIFIKASI

Model:	DGA408	DGA458	DGA508
Diameter roda	100 mm (4")	115 mm (4-1/2")	125 mm (5")
Ketebalan roda maks.	6,4 mm		
Ulir spindel	M10	M14 atau 5/8" (tergantung negara)	
Kecepatan terukur (n)	8.500 min ⁻¹		
Panjang keseluruhan	Dengan kartrid baterai BL1815N, BL1820, BL1820B	348 mm	
	Dengan kartrid baterai BL1830, BL1830B, BL1840, BL1840B, BL1850, BL1850B, BL1860B	362 mm	
Berat bersih	Dengan kartrid baterai BL1815N, BL1820, BL1820B	2,2 kg	2,4 kg
	Dengan kartrid baterai BL1830, BL1830B, BL1840, BL1840B, BL1850, BL1850B, BL1860B	2,5 kg	2,6 kg
Tegangan terukur	D.C. 18 V		

- Karena kesinambungan program penelitian dan pengembangan kami, spesifikasi yang disebutkan di sini dapat berubah tanpa pemberitahuan.
- Spesifikasi dan kartrid baterai dapat berbeda dari satu negara ke negara lainnya.
- Berat, dengan kartrid baterai, menurut Prosedur EPTA 01/2003

Simbol

Berikut ini adalah simbol-simbol yang digunakan pada peralatan ini. Pastikan Anda mengerti makna masing-masing simbol sebelum menggunakan alat.



Baca petunjuk penggunaan.



Gunakan kaca mata pengaman.



Hanya untuk negara-negara UE
Jangan membuang peralatan listrik atau paket baterai bersama-sama dengan bahan limbah rumah tangga!
Dengan memerhatikan Petunjuk Eropa, tentang Limbah Peralatan Listrik dan Elektronik serta Baterai dan Akumulator serta Limbah Baterai dan Akumulator dan pelaksanaannya sesuai dengan ketentuan hukum nasional, peralatan listrik dan baterai dan paket baterai yang telah habis umur pakainya harus dikumpulkan secara terpisah dan dikembalikan ke fasilitas daur ulang yang kompatibel secara lingkungan.

Penggunaan

Mesin ini dirancang untuk menggerinda, mengampelas dan memotong logam dan material batuan tanpa menggunakan air.

Peringatan keselamatan umum mesin listrik

PERINGATAN: Bacalah semua peringatan keselamatan dan semua petunjuk. Kelalaian mematuhi peringatan dan petunjuk dapat menyebabkan sengatan listrik, kebakaran dan/atau cedera serius.

Simpanlah semua peringatan dan petunjuk untuk acuan di masa depan.

Istilah "mesin listrik" dalam semua peringatan mengacu pada mesin listrik yang dijalankan dengan sumber listrik jala-jala (berkabel) atau baterai (tanpa kabel).

Keselamatan tempat kerja

1. **Jaga tempat kerja selalu bersih dan berpenerangan cukup.** Tempat kerja yang berantakan dan gelap mengundang kecelakaan.
2. **Jangan gunakan mesin listrik dalam lingkungan yang mudah meledak, misalnya jika ada cairan, gas, atau debu yang mudah menyala.** Mesin listrik menimbulkan bunga api yang dapat menyala debu atau uap tersebut.
3. **Jauhkan anak-anak dan orang lain saat menggunakan mesin listrik.** Bila perhatian terpecah, anda dapat kehilangan kendali.

Keamanan Kelistrikan

1. **Steker mesin listrik harus cocok dengan**

stopkontak. Jangan sekali-kali mengubah steker dengan cara apa pun. Jangan menggunakan steker adaptor dengan mesin listrik terbumi (dibumikan). Steker yang tidak diubah dan stopkontak yang cocok akan mengurangi risiko sengatan listrik.

2. **Hindari sentuhan tubuh dengan permukaan terbumi atau yang dibumikan seperti pipa, radiator, kompor, dan kulkas.** Risiko sengatan listrik bertambah jika tubuh Anda terbumikan atau dibumikan.
3. **Jangan membiarkan mesin listrik kejuhanan atau kebasahan.** Air yang masuk ke dalam mesin listrik akan meningkatkan risiko sengatan listrik.
4. **Jangan menyalahgunakan kabel. Jangan sekali-kali menggunakan kabel untuk membawa, menarik, atau mencabut mesin listrik dari stopkontak. Jauhkan kabel dari panas, minyak, tepian tajam, atau bagian yang bergerak.** Kabel yang rusak atau kusut memperbesar risiko sengatan listrik.
5. **Bila menggunakan mesin listrik di luar ruangan, gunakan kabel ekstensi yang sesuai untuk penggunaan di luar ruangan.** Penggunaan kabel yang sesuai untuk penggunaan luar ruangan mengurangi risiko sengatan listrik.
6. **Jika mengoperasikan mesin listrik di lokasi lembap tidak terhindarkan, gunakan pasokan daya yang dilindungi peranti imbasan arus (residual current device - RCD).** Penggunaan RCD mengurangi risiko sengatan listrik.

Keselamatan Diri

1. **Jaga kewaspadaan, perhatikan pekerjaan Anda dan gunakan akal sehat bila menggunakan mesin listrik. Jangan menggunakan mesin listrik saat Anda lelah atau di bawah pengaruh obat bius, alkohol, atau obat.** Sekejap saja lalai saat menggunakan mesin listrik dapat menyebabkan cedera badan serius.
2. **Gunakan alat pelindung diri. Selalu gunakan pelindung mata.** Peralatan pelindung seperti masker debu, sepatu pengaman anti-selip, helm pengaman, atau pelindung telinga yang digunakan untuk kondisi yang sesuai akan mengurangi risiko cedera badan.
3. **Cegah penyalaan yang tidak disengaja. Pastikan bahwa sakelar berada dalam posisi mati (off) sebelum menghubungkan mesin ke sumber daya dan/atau paket baterai, atau mengangkat atau membawanya.** Membawa mesin listrik dengan jari Anda pada sakelarnya atau mengalirkan listrik pada mesin listrik yang sakelarnya hidup (on) akan mengundang kecelakaan.
4. **Lepaskan kunci-kunci penyetel sebelum menghidupkan mesin listrik.** Kunci-kunci yang masih terpasang pada bagian mesin listrik yang berputar dapat menyebabkan cedera.
5. **Jangan meraih terlalu jauh. Jagalah pijakan dan keseimbangan sepanjang waktu.** Hal ini memungkinkan kendali yang lebih baik atas mesin listrik dalam situasi yang tidak diharapkan.
6. **Kenakan pakaian dengan baik. Jangan memakai pakaian yang kedodoran atau**

perhiasan. Jaga jarak antara rambut, pakaian, dan sarung tangan Anda dengan bagian mesin yang bergerak. Pakaian kedodoran, perhiasan, atau rambut panjang dapat tersangkut pada bagian yang bergerak.

7. **Jika tersedia fasilitas untuk menghisap dan mengumpulkan debu, pastikan fasilitas tersebut terhubung listrik dan digunakan dengan baik.** Penggunaan pembersih debu dapat mengurangi bahaya yang terkait dengan debu.

Penggunaan dan pemeliharaan mesin listrik

1. **Jangan memaksa mesin listrik. Gunakan mesin listrik yang tepat untuk keperluan Anda.** Mesin listrik yang tepat akan menuntaskan pekerjaan dengan lebih baik dan aman pada kecepatan sesuai rancangannya.
2. **Jangan gunakan mesin listrik jika sakelar tidak dapat menyala dan mematikannya.** Mesin listrik yang tidak dapat dikendalikan dengan sakelarnya adalah berbahaya dan harus diperbaiki.
3. **Cabut steker dari sumber listrik dan/atau paket baterai dari mesin listrik sebelum melakukan penyetelan, penggantian aksesoris, atau menyimpan mesin listrik.** Langkah keselamatan preventif tersebut mengurangi risiko hidupnya mesin secara tak sengaja.
4. **Simpan mesin listrik jauh dari jangkauan anak-anak dan jangan biarkan orang yang tidak paham mengenai mesin listrik tersebut atau petunjuk ini menggunakan mesin listrik.** Mesin listrik sangat berbahaya di tangan pengguna yang tak terlatih.
5. **Rawatlah mesin listrik. Periksa apakah ada bagian bergerak yang tidak lurus atau macet, bagian yang pecah dan kondisi lain yang dapat memengaruhi penggunaan mesin listrik.** Jika rusak, perbaiki dahulu mesin listrik sebelum digunakan. Banyak kecelakaan disebabkan oleh kurangnya pemeliharaan mesin listrik.
6. **Jaga agar mesin pemotong tetap tajam dan bersih.** Mesin pemotong yang terawat baik dengan mata pemotong yang tajam tidak mudah macet dan lebih mudah dikendalikan.
7. **Gunakan mesin listrik, aksesoris, dan mata mesin, dll. sesuai dengan petunjuk ini, dengan memperhitungkan kondisi kerja dan jenis pekerjaan yang dilakukan.** Penggunaan mesin listrik untuk penggunaan yang lain dari peruntukan dapat menimbulkan situasi berbahaya.

Penggunaan dan pemeliharaan mesin bertenaga baterai

1. **Isi ulang baterai hanya dengan pengisi daya yang ditentukan oleh pabrikan.** Pengisi daya yang cocok untuk satu jenis paket baterai dapat menimbulkan risiko kebakaran ketika digunakan untuk paket baterai yang lain.
2. **Gunakan mesin listrik hanya dengan paket baterai yang telah ditentukan secara khusus.** Penggunaan paket baterai lain dapat menimbulkan risiko cedera dan kebakaran.
3. **Ketika paket baterai tidak digunakan, jauhkan dari benda logam lain, seperti penjepit kertas, uang logam, kunci, paku, sekrup atau benda logam kecil lainnya, yang dapat**

menghubungkan satu terminal ke terminal lain. Hubungan singkat terminal baterai dapat menyebabkan luka bakar atau kebakaran.

4. **Pemakaian yang salah, dapat menyebabkan keluarnya cairan dari baterai; hindari kontak. Jika terjadi kontak secara tidak sengaja, bilas dengan air. Jika cairan mengenai mata, cari bantuan medis.** Cairan yang keluar dari baterai bisa menyebabkan iritasi atau luka bakar.

Servis

1. **Berikan mesin listrik untuk diperbaiki hanya kepada oleh teknisi yang berkualifikasi dengan menggunakan hanya suku cadang pengganti yang serupa.** Hal ini akan menjamin terjaganya keamanan mesin listrik.
2. **Patuhi petunjuk pelumasan dan penggantian aksesoris.**
3. **Jagalah agar gagang kering, bersih, dan bebas dari minyak dan gemuk.**

Peringatan keselamatan gerinda tanpa kabel

Peringatan Keselamatan yang Umum untuk Penggerindaan, Pengampelasan, Penyikatan dengan Sikat Kawat, atau Pengoperasian Pemotongan Abrasif:

1. **Mesin listrik ini dirancang untuk berfungsi sebagai gerinda, pengampelas, sikat kawat atau mesin pemotong.** Bacalah semua peringatan keselamatan, petunjuk, ilustrasi dan spesifikasi yang disertakan bersama mesin listrik ini. Kelalaian untuk mematuhi semua petunjuk yang tercantum di bawah ini dapat menyebabkan sengatan listrik, kebakaran dan/atau cedera serius.
2. **Tidak dianjurkan menggunakan mesin listrik ini untuk melakukan pekerjaan seperti memoles.** Pekerjaan yang tidak sesuai dengan spesifikasi mesin listrik ini dapat menimbulkan bahaya dan menyebabkan cedera pada pengguna.
3. **Jangan gunakan aksesoris yang tidak dirancang secara khusus dan dianjurkan oleh produsen mesin.** Hanya karena aksesoris tersebut dapat dipasang pada mesin listrik Anda, bukan berarti dapat menjamin keselamatan dalam pengoperasian.
4. **Kecepatan terukur pada aksesoris setidaknya harus sama dengan kecepatan maksimum yang tertera pada mesin listrik.** Aksesoris yang bekerja lebih cepat dari kecepatan terukurnya mungkin saja pecah dan terlempar.
5. **Diameter luar dan tebal aksesoris Anda harus berada dalam nilai kapasitas mesin listrik Anda.** Aksesoris dengan ukuran yang tidak tepat tidak dapat dilindungi atau dikendalikan secara memadai.
6. **Pemasangan aksesoris berulir harus sesuai dengan ulir spindel gerinda. Untuk aksesoris yang dipasang menggunakan flensa, lubang punjung pada aksesoris harus cocok dengan diameter tempat pemasangan pada flensa.** Aksesoris punjung yang tidak sesuai dengan perangkat keras pemasangan mesin listrik

akan bekerja secara tidak seimbang, bergetar berlebihan dan dapat menyebabkan hilangnya kendali.

7. **Jangan menggunakan aksesoris yang sudah rusak.** Setiap kali sebelum digunakan, periksa apakah ada patahan dan retakan pada roda abrasif, apakah ada retakan, sobekan atau keausan pada bantalan belakang, serta apakah ada kawat yang longgar atau patah pada sikat kawat. Jika mesin listrik atau aksesoris jatuh, periksa apakah terjadi kerusakan, atau pasang aksesoris yang tidak rusak. Setelah memeriksa dan memasang aksesoris, posisikan diri Anda dan orang di sekitar jauh dari bidang aksesoris yang berputar dan jalankan mesin listrik pada kecepatan maksimum tanpa beban selama satu menit. Aksesoris yang rusak umumnya akan pecah selama waktu pengujian ini.
8. **Kenakan alat pelindung diri.** Tergantung pekerjaannya, gunakan pelindung muka, kaca mata pelindung atau kaca mata pengaman. Sesuai dengan pekerjaannya, kenakan masker debu, pelindung telinga, sarung tangan, dan apron bengkel yang mampu menahan debu gerinda atau serpihan benda kerja. Pelindung mata harus mampu menahan debu yang berhamburan, yang ditimbulkan dari berbagai jenis pekerjaan. Masker debu atau alat pemapasan harus mampu menyaring partikel yang dihasilkan dari pekerjaan Anda. Terpaan yang diperkepanjangan terhadap kebisingan berintensitas tinggi dapat menyebabkan hilangnya pendengaran.
9. **Jaga agar orang di sekitar berada dalam jarak aman yang jauh dari area kerja. Siapa pun yang masuk ke area kerja harus mengenakan alat pelindung diri.** Potongan benda kerja atau dari aksesoris yang rusak mungkin saja terlempar dan menyebabkan cedera di area yang langsung berdekatan dengan pekerjaan.
10. **Pegang mesin listrik hanya pada permukaan genggam yang terisolasi saat melakukan pekerjaan karena mesin pemotong mungkin saja bersentuhan dengan kabel tersambung.** Sentuhan kawat "hidup" dapat menyebabkan bagian logam pada mesin teraliri arus listrik dan menyengat pengguna.
11. **Jangan sekali-kali meletakkan mesin listrik sebelum aksesorinya benar-benar berhenti.** Aksesoris yang berputar dapat menyambar permukaan dan menarik mesin listrik di luar kendali Anda.
12. **Jangan menyalakan mesin listrik sambil membawanya di sisi badan Anda.** Sentuhan yang tidak disengaja oleh aksesoris yang berputar dapat merobek pakaian Anda, yang akan menarik aksesoris ke arah badan Anda.
13. **Bersihkan ventilasi udara mesin listrik secara rutin.** Kipas motor akan menarik debu ke dalam rumahan, dan serbuk logam yang terkumpul secara berlebihan dapat menyebabkan bahaya listrik.
14. **Jangan mengoperasikan mesin listrik di dekat benda-benda yang mudah terbakar.** Percikan apinya dapat menyulut benda-benda tersebut.
15. **Jangan menggunakan aksesoris yang**

mempunyai cairan pendingin. Menggunakan air atau cairan pendingin lain dapat mengakibatkan kematian akibat sengatan listrik.

Hentikan balik dan Peringatan Terkait

Hentikan balik merupakan reaksi tiba-tiba akibat terjepit atau tersangkutnya roda yang berputar, bantalan belakang, sikat atau aksesorinya lainnya. Kondisi terjepit atau tersangkut akan menyebabkan aksesorinya yang berputar akan berhenti dengan cepat yang kemudian berubah mengakibatkan terdorongnya mesin listrik yang tak terkendali ke arah yang berlawanan dengan putaran aksesorinya di titik tempat aksesorinya tersebut terjepit.

Sebagai contoh, jika roda ampelas tersangkut atau terjepit oleh benda kerja, tepi roda yang masuk ke titik tempat roda tersebut terjepit bisa menggali permukaan bahan, yang menyebabkan roda tersebut menanjak atau menghentak. Roda mungkin saja melompat ke arah atau menjauhi operator, tergantung arah gerakan roda di titik tempat roda tersebut terjepit. Roda ampelas juga mungkin saja pecah karena kondisi tersebut. Hentikan balik merupakan akibat dari kesalahan cara penggunaan mesin listrik dan/atau prosedur atau kondisi pengoperasian yang salah, dan dapat dihindari dengan melakukan tindakan kewaspadaan yang tepat sebagaimana diuraikan di bawah ini.

1. **Pertahankan genggaman yang kuat pada mesin listrik serta posisi badan dan lengan Anda sehingga Anda dapat menahan gaya hentakan balik. Selalu gunakan pegangan tambahan, bila tersedia, untuk mengendalikan hentakan balik atau reaksi torsi secara maksimum selama mesin mulai dihidupkan.** Jika tindakan kewaspadaan yang tepat dilakukan, operator dapat mengendalikan reaksi torsi atau gaya hentakan balik.
2. **Jangan sekali-kali memosisikan tangan Anda di dekat aksesorinya yang berputar.** Aksesorinya mungkin saja menghentak balik ke arah tangan Anda.
3. **Jangan memosisikan badan Anda di area tempat mesin listrik akan bergerak bila terjadi hentakan balik.** Hentikan balik akan memutar mesin dalam arah yang berlawanan dengan gerakan roda di titik tempat roda tersebut tersangkut.
4. **Sangat berhati-hatilah saat bekerja di area sudut, tepi yang tajam, dsb. Jaga agar aksesorinya tidak memantul atau tersangkut.** Area sudut, tepi yang tajam, atau pantulan cenderung menyebabkan aksesorinya yang berputar tersangkut dan menyebabkan kehilangan kendali atau timbulnya hentakan balik.
5. **Jangan memasang mata gergaji rantai atau mata gergaji bergerigi.** Mata mesin seperti ini menghasilkan hentakan balik secara berkali-kali dan menyebabkan kehilangan kendali.

Peringatan Keselamatan Khusus untuk Pekerjaan Penggerindaan dan Pengoperasian Pemotongan Abrasif:

1. **Gunakan hanya tipe roda yang dianjurkan untuk mesin listrik Anda dan pelindung khusus yang dirancang untuk roda yang Anda pilih.** Roda yang tidak sesuai dengan spesifikasi mesin listrik ini tidak dapat terlindungi secara memadai, dan karenanya tidak aman.

2. **Permukaan untuk penggerindaan pada roda tengah gerinda harus dipasang di bawah bidang pada tepi pelindung.** Roda yang tidak dipasang dengan benar sehingga menonjol pada bidang tepi pelindung tidak dapat benar-benar terlindungi.
3. **Pelindung harus terpasang dengan kencang pada mesin listrik dan diposisikan untuk pengamanan maksimal, sehingga bagian roda yang menghadap ke operator menjadi minimal.** Pelindung tersebut ikut melindungi operator dari potongan patahan roda, gesekan dengan roda dan percikan api yang dapat membakar pakaian.
4. **Roda harus digunakan hanya untuk penggunaan yang disarankan. Misalnya: jangan menggerinda dengan bagian samping roda pemotong.** Roda pemotong abrasif ditujukan untuk pekerjaan gerinda sisi luar; jika roda dikenai tenaga dari samping, roda ini mungkin saja pecah.
5. **Selalu gunakan flensa roda yang tidak rusak dengan ukuran dan bentuk yang tepat sesuai dengan roda yang Anda pilih.** Flensa roda yang tepat akan menopang roda sehingga mengurangi kemungkinan pecahnya roda. Flensa untuk roda pemotongan mungkin saja berbeda dengan flensa roda gerinda.
6. **Jangan gunakan roda dengan kinerja yang sudah rendah dari mesin listrik yang lebih besar.** Roda yang dirancang untuk mesin listrik yang lebih besar tidak cocok untuk digunakan pada alat yang lebih kecil dengan kecepatan yang lebih tinggi dan mungkin saja akan rusak.

Tambahan Peringatan Keselamatan Khusus untuk Pengoperasian Pemotongan Abrasif:

1. **Jangan membuat roda pemotong “macet” atau menekannya secara berlebihan. Jangan mencoba memotong terlalu dalam.** Menempatkan tekanan berlebihan pada roda akan meningkatkan beban dan dapat menyebabkan roda berputar atau terjepit pada potongan dan terdapat kemungkinan terjadi hentakan balik atau kerusakan roda.
2. **Jangan menempatkan diri Anda sejajar dan di belakang roda yang berputar.** Pada titik pengerjaan, saat roda bergerak menjauh dari Anda, hentakan balik dapat menggerakkan roda yang berputar dan mesin listrik ke arah Anda secara langsung.
3. **Ketika roda terjepit atau pemotongan terhenti karena alasan apa pun, matikan mesin listrik dan tahan hingga roda benar-benar berhenti. Jangan pernah mencoba melepas roda pemotong dari pekerjaan pemotongan saat roda bergerak, jika tidak, akan terjadi hentakan balik.** Periksa dan ambil tindakan perbaikan yang tepat untuk mengatasi penyebab macetnya roda.
4. **Jangan ulangi pemotongan pada benda kerja.** Biarkan roda mencapai kecepatan penuh dan masukkan kembali dengan hati-hati pada potongan. Roda mungkin saja terjepit, bergerak ke atas atau terjadi hentakan balik jika mesin listrik dinyalakan ulang pada benda kerja.
5. **Tahan panel atau benda kerja berukuran besar untuk meminimalkan risiko roda**

terjepit dan terjadi hentakan balik. Benda kerja besar cenderung melengkung karena beratnya. Penunjang harus diletakkan di bawah benda kerja dekat garis pemotongan dan dekat ujung benda kerja pada kedua sisi roda.

6. **Berhati-hatilah saat melakukan “pemotongan saku” pada dinding atau area buta lain.** Roda yang mencuat dapat memotong pipa gas atau air, kabel listrik, atau objek lain yang dapat menyebabkan hentakan balik.

Peringatan Keselamatan Khusus untuk Pekerjaan Pengampelasan:

1. **Jangan menggunakan kertas cakram ampelas yang ukurannya terlalu besar.** Ikuti rekomendasi pabrik saat memilih kertas ampelas. Kertas ampelas yang lebih besar melebihi bantalan ampelas akan menimbulkan bahaya cedera dan bisa menyebabkan tersangkut, pecahnya cakram atau terjadinya hentakan balik.

Peringatan Keselamatan Khusus untuk Pengoperasian dengan Sikat Kawat:

1. **Berhati-hatilah, jangan sampai serpihan kawat terlepas dari sikat bahkan pada pengoperasian standar.** Jangan terlalu keras menekan kawat dengan memberikan tekanan yang terlalu besar pada sikat. Serpihan kawat dapat dengan mudah menembus pakaian yang tipis dan/atau kulit.
2. **Jika penggunaan pelindung direkomendasikan untuk sikat kawat, jangan sampai roda kawat atau sikat mengganggu kerja pelindung.** Roda kawat atau sikat dapat bertambah diameternya bergantung pada beban kerja dan gaya sentrifugal.

Peringatan Keselamatan Tambahan:

1. **Saat menggunakan roda gerinda tengah, pastikan bahwa Anda hanya menggunakan roda dengan fiberglass.**
2. **JANGAN PERNAH GUNAKAN roda berjenis Stone Cup dengan gerinda ini.** Gerinda ini tidak dirancang untuk tipe roda semacam ini dan jika digunakan, hal ini dapat mengakibatkan cedera serius pada penggunaannya.
3. **Hati-hati jangan sampai merusak spindel, flensa (terutama permukaan pemasangan) atau mur kunci.** Kerusakan pada bagian ini dapat mengakibatkan rusaknya roda.
4. **Pastikan bahwa roda tidak menyentuh benda kerja sebelum sakelar dinyalakan.**
5. **Sebelum menggunakan mesin pada benda kerja yang sebenarnya, jalankan mesin sebentar.** Waspada getaran atau goyangan yang dapat menunjukkan lemahnya pemasangan atau roda yang kurang seimbang.
6. **Gunakan permukaan roda yang sudah ditentukan untuk melakukan pengerindaan.**
7. **Jangan tinggalkan mesin dalam keadaan hidup.** Jalankan mesin hanya ketika digenggam dengan tangan.
8. **Jangan menyentuh benda kerja segera setelah pengoperasian; suhunya mungkin masih sangat panas dan dapat membakar kulit Anda.**
9. **Patuhi petunjuk produsen mengenai cara**

memasang dan menggunakan roda yang benar. Rawat dan simpan roda dengan cermat.

10. **Jangan menggunakan bos atau adaptor pengurang yang terpisah untuk menyesuaikan roda dengan lubang abrasif berukuran besar.**
11. **Gunakan hanya flensa yang ditentukan untuk mesin ini.**
12. **Untuk mesin yang memang dirancang untuk roda lubang berulir, pastikan bahwa ulir dalam roda cukup panjang untuk menampung panjang spindel.**
13. **Periksa apakah benda kerja telah ditopang dengan baik.**
14. **Perhatikan bahwa roda terus berputar setelah mesin dimatikan.**
15. **Jika tempat kerja sangat panas dan lembap, sangat kotor oleh debu konduktif, gunakan pemutus daya (30 mA) untuk menjamin keselamatan operator.**
16. **Jangan menggunakan mesin pada bahan yang mengandung asbestos.**
17. **Roda pemotongan hendaknya selalu digunakan dengan pelindung roda pengumpul debu yang disyaratkan oleh undang-undang setempat.**
18. **Cakram pemotongan harus disesuaikan dengan tekanan lateral.**
19. **Jangan gunakan sarung tangan kerja kain selama pengoperasian.** Serat dari sarung tangan kain dapat masuk ke mesin dan mengakibatkan kerusakan.

SIMPAN PETUNJUK INI.

⚠️ PERINGATAN: JANGAN biarkan kenyamanan atau terbiasanya Anda dengan produk (karena penggunaan berulang) mengurangi kepatuhan yang ketat terhadap aturan keselamatan untuk produk yang terkait. PENYALAHGUNAAN atau kelalaian mematuhi kaidah keselamatan yang tertera dalam petunjuk ini dapat menyebabkan cedera badan serius.

Petunjuk keselamatan penting untuk kartrid baterai

1. **Sebelum menggunakan kartrid baterai, bacalah semua petunjuk dan penandaan pada (1) pengisi daya baterai, (2) baterai, dan (3) produk yang menggunakan baterai.**
2. **Jangan membongkar kartrid baterai.**
3. **Jika waktu beroperasinya menjadi sangat singkat, segera hentikan penggunaan.** Hal tersebut dapat menimbulkan risiko panas berlebihan, kemungkinan mengalami luka bakar atau bahkan terjadi ledakan.
4. **Jika elektrolit mengenai mata Anda, basuh dengan air bersih dan segera cari pertolongan medis.** Hal tersebut dapat mengakibatkan hilangnya kemampuan penglihatan Anda.
5. **Jangan menghubungkan terminal kartrid baterai:**
 - (1) **Jangan menyentuh terminal dengan bahan penghantar listrik apa pun.**

(2) Hindari menyimpan kartrid baterai pada wadah yang berisi benda logam lain seperti paku, uang logam, dsb.

(3) Jangan membiarkan baterai terkena air atau kehujanan.

Hubungan singkat baterai dapat menyebabkan aliran arus listrik yang besar, panas berlebih, kemungkinan mengalami luka bakar dan bahkan kerusakan pada baterai.

6. Jangan menyimpan mesin dan kartrid baterai pada lokasi dengan suhu yang bisa mencapai atau melebihi 50 °C.
7. Jangan membuang kartrid baterai di tempat pembakaran sampah walaupun benar-benar rusak atau tidak bisa digunakan sama sekali. Kartrid baterai bisa meledak jika terbakar.
8. Berhati-hatilah jangan sampai baterai jatuh atau terbentur.
9. Jangan menggunakan baterai yang rusak.
10. **Baterai litium-ion yang disertakan sesuai dengan persyaratan Perundangan Makanan Berbahaya.**

Harus ada pengawasan untuk pengangkutan komersial misalnya oleh pihak ketiga, ekspeditor, persyaratan khusus terhadap pengemasan dan pelabelan.

Diperlukan adanya konsultasi dengan ahli mengenai material berbahaya untuk persiapan barang yang akan dikirimkan. Perhatikan pula peraturan nasional yang lebih terperinci yang mungkin ada.

Beri perekat atau tutupi bagian yang terbuka dan kemas baterai dengan cara yang tidak akan menimbulkan pergeseran dalam pengemasan.

11. **Patuhi peraturan setempat yang berkaitan dengan pembuangan baterai.**

SIMPAN PETUNJUK INI.

⚠PERHATIAN: Gunakan baterai asli Makita.

Penggunaan baterai Makita yang tidak asli, atau baterai yang sudah diubah, akan mengakibatkan baterai mudah terbakar, cedera dan kerusakan. Akan menghilangkan garansi Makita pada pengisi daya dan alat Makita.

Tip untuk menjaga agar umur pemakaian baterai maksimum

1. Isi ulang kartrid baterai sebelum habis sama sekali. Selalu hentikan penggunaan mesin dan ganti kartrid baterai jika Anda melihat bahwa mesin kurang tenaga.
2. Jangan pernah mengisi ulang kartrid baterai yang sudah diisi penuh. Pengisian ulang yang berlebih memperpendek umur pemakaian baterai.
3. Isi ulang kartrid baterai pada suhu ruangan 10 °C - 40 °C. Biarkan kartrid baterai yang panas menjadi dingin terlebih dahulu sebelum diisi ulang.
4. Isi ulang daya kartrid baterai jika Anda tidak menggunakannya untuk jangka waktu yang lama (lebih dari enam bulan).

DESKRIPSI FUNGSI

⚠PERHATIAN: Selalu pastikan bahwa mesin dimatikan dan kartrid baterai dilepas sebelum menyatel atau memeriksa kerja mesin.

Memasang atau melepas baterai

⚠PERHATIAN: Selalu matikan mesin sebelum memasang atau melepas kartrid baterai.

⚠PERHATIAN: Pegang mesin dan kartrid baterai kuat-kuat saat memasang atau melepas kartrid baterai. Kelalaian untuk memegang mesin dan kartrid baterai kuat-kuat bisa menyebabkan keduanya tergelincir dari tangan Anda dan mengakibatkan kerusakan pada mesin dan kartrid baterai dan cedera diri.

- **Gbr.1:** 1. Indikator berwarna merah 2. Tombol 3. Kartrid baterai

Untuk melepas kartrid baterai, geser dari mesin sambil menggeser tombol pada bagian depan kartrid.

Untuk memasang kartrid baterai, sejajarkan lidah kartrid baterai dengan alur pada rumah dan masukkan ke dalam tempatnya. Masukkan seluruhnya sampai terkunci pada tempatnya dan terdengar bunyi klik kecil. Jika Anda bisa melihat indikator berwarna merah pada sisi atas tombol, berarti tidak terkunci sepenuhnya.

⚠PERHATIAN: Selalu pasang kartrid baterai sepenuhnya sampai indikator berwarna merah tidak terlihat. Jika tidak, bisa terlepas dari mesin secara tidak sengaja, menyebabkan luka pada Anda atau orang di sekitar Anda.

⚠PERHATIAN: Jangan memasang kartrid baterai secara paksa. Jika kartrid tidak bergeser dengan mudah, berarti tidak dimasukkan dengan benar.

Mengindikasikan kapasitas baterai yang tersisa

Hanya untuk kartrid baterai dengan huruf "B" pada akhir nomor model

- **Gbr.2:** 1. Lampu indikator 2. Tombol pemeriksaan

Tekan tombol pemeriksaan pada kartrid baterai untuk melihat kapasitas baterai yang tersisa. Lampu indikator menyala selama beberapa detik.

Lampu indikator			Kapasitas yang tersisa
Menyala	Mati	Berkedip	
■	□	◐	75% hingga 100%
■	■	□	50% hingga 75%
■	■	□	25% hingga 50%
■	□	□	0% hingga 25%

Lampu indikator			Kapasitas yang tersisa
Menyala	Mati	Berkedip	
			Isi ulang baterai.
			Baterai mungkin sudah rusak.

CATATAN: Tergantung kondisi penggunaan dan suhu lingkungannya, penunjuk mungkin saja sedikit berbeda dari kapasitas sebenarnya.

Mengindikasikan kapasitas baterai yang tersisa

Negara tertentu

Saat Anda menyalakan mesin, indikator baterai akan menunjukkan kapasitas baterai yang tersisa.

► **Gbr.3:** 1. Indikator baterai

Kapasitas baterai yang tersisa ditunjukkan sebagaimana tabel berikut ini.

Status indikator baterai			Kapasitas baterai yang tersisa
Menyala	Mati	Berkedip	
			50% - 100%
			20% - 50%
			0% - 20%
			Isi ulang baterai

Sistem perlindungan mesin / baterai

Mesin ini dilengkapi dengan sistem perlindungan mesin/ baterai. Sistem ini memutuskan daya ke motor secara otomatis untuk memperpanjang umur pemakaian mesin dan baterai. Mesin akan berhenti secara otomatis saat penggunaan jika mesin atau baterai berada dalam salah satu kondisi berikut ini. Dalam kondisi yang sama, indikator akan menyala.

Perlindungan kelebihan beban

Bila mesin dijalankan dengan cara yang menyebabkannya menarik arus tinggi yang tidak normal, mesin akan berhenti secara otomatis tanpa menunjukkan apa-apa. Untuk situasi ini, matikan mesin dan hentikan pekerjaan yang menyebabkan mesin mengalami kelebihan beban. Kemudian nyalakan mesin untuk memulai lagi pekerjaan.

Perlindungan panas berlebih

Bila mesin mengalami kelebihan panas, mesin akan berhenti secara otomatis dan indikator baterai menunjukkan kondisi berikut. Untuk situasi ini, biarkan mesin menjadi dingin sebelum menyalakan mesin lagi.

Menyala	Berkedip

Jika mesin tidak menyala, baterai mungkin mengalami kelebihan panas. Dalam situasi ini, biarkan baterai mendingin sebelum kembali menyalakan mesin.

Perlindungan pengisian daya berlebih

Ketika kapasitas baterai tidak cukup, mesin akan berhenti secara otomatis. Dalam kondisi ini, lepaskan baterai dari mesin dan isi ulang baterai.

Melepaskan kunci pelindung

Ketika sistem pelindung bekerja terus menerus, mesin akan terkunci dan indikator baterai menunjukkan kondisi berikut.

Dalam situasi ini, mesin tidak menyala bahkan dengan menyalakan dan mematikan mesin. Untuk melepaskan kunci pelindung, lepaskan baterai, pasang di pengisi daya baterai, dan tunggu hingga pengisian selesai.

Menyala	Mati	Berkedip

Kunci poros

Tekan kunci poros untuk mencegah berputarnya spindel saat memasang atau melepas aksesoris.

► **Gbr.4:** 1. Kunci poros

PEMBERITAHUAN: Jangan gerakkan kunci poros ketika spindel sedang bergerak. Mesin mungkin saja rusak.

Kerja sakelar

PERHATIAN: Sebelum memasang kartrid baterai pada mesin, pastikan tuas saklar berfungsi dengan baik dan kembali ke posisi "OFF" saat dilepas.



PERHATIAN: Jangan menarik dalam-dalam tuas sakelar tanpa menarik tuas buka kunci. Hal ini bisa merusak sakelar.

Untuk mencegah tuas sakelar tertarik dengan tidak sengaja, tersedia sebuah tuas buka kunci. Untuk menjalankan mesin, tarik tuas buka kunci ke arah operator dan kemudian tarik tuas saklarnya. Untuk menghentikan mesin, lepaskan tuas saklarnya.

► **Gbr.5:** 1. Tuas buka kunci 2. Tuas sakelar

Fungsi perubahan kecepatan otomatis

► **Gbr.6:** 1. Indikator mode

Status indikator mode	Mode pengoperasian
	Mode kecepatan tinggi
	Mode putaran tinggi

Mesin ini memiliki “mode kecepatan tinggi” dan “mode putaran tinggi”. Hal ini secara otomatis mengubah mode pengoperasian tergantung pada beban kerja. Ketika indikator mode menyala selama pengoperasian, mesin berada dalam mode putaran tinggi.

Fungsi pencegah penyalaan ulang secara tidak sengaja

Bahkan jika memasang kartrid baterai sementara menarik tuas saklar, mesin tidak berjalan. Untuk menjalankan mesin, pertama lepaskan tuas saklarnya. Kemudian tarik tuas buka kunci, dan tarik tuas saklar.

Fungsi kendali torsi elektronik

Mesin secara elektronik mendeteksi situasi di mana roda atau aksesoris mungkin berisiko macet. Dalam situasi ini, mesin dimatikan secara otomatis untuk menghindari perputaran spindel lebih jauh (ini tidak mencegah hentakan). Untuk menyalakan ulang mesin, matikan mesin terlebih dahulu, hilangkan penyebab jatuh tiba-tiba dalam kecepatan putaran, kemudian nyalakan mesin.

Fitur awal pengerjaan lembut

Fitur awal pengerjaan lembut mengurangi reaksi permulaan.

Rem elektrik

Rem elektrik diaktifkan setelah mesin dimatikan. Rem tidak berfungsi ketika suplai daya dimatikan, seperti saat baterai dilepaskan secara tiba-tiba, dengan saklar yang masih menyala.

PERAKITAN

⚠PERHATIAN: Selalu pastikan bahwa mesin dimatikan dan kartrid baterai dilepas sebelum menyatel atau memeriksa kerja mesin.

Memasang gagang sisi (pegangan)

⚠PERHATIAN: Selalu pastikan bahwa gagang sisi terpasang dengan kuat sebelum penggunaan.

Sekrup gagang sisi dengan kencang pada posisi mesin sebagaimana yang ditunjukkan pada gambar.

► **Gbr.7**

Pasang atau lepas pelindung roda (Untuk roda tengah gerinda, cakram flap, roda flex, sikat roda kawat / roda pemotong abrasif, roda intan)

⚠PERINGATAN: Ketika menggunakan roda tengah gerinda, cakram flap, roda flex atau sikat roda kawat, pelindung roda harus cocok dengan mesin sehingga bagian sisi yang tertutup dari pelindung selalu mengarah pada operator.

⚠PERINGATAN: Ketika menggunakan pemotong abrasif / roda intan, jangan gunakan selain pelindung roda khusus yang dirancang untuk digunakan bersama roda pemotong.

(Di beberapa negara Eropa, saat menggunakan roda berlian, pelindung yang umum dapat digunakan. Patuhi peraturan di negara Anda.)

Untuk mesin dengan pelindung roda dengan tipe sekrup pengunci

Pasang pelindung roda dengan posisi tonjolan ada di atas ikatan pelindung roda yang sejajar dengan cekungan-cekungan pada kotak penahan. Kemudian putar pelindung roda ke suatu sudut sehingga dapat melindungi operator sesuai dengan pekerjaan. Pastikan bahwa sekrup sudah dikencangkan hingga aman. Untuk melepas pelindung roda, lakukan prosedur pemasangan dalam urutan terbalik.

► **Gbr.8:** 1. Pelindung roda 2. Kotak penahan 3. Sekrup

Untuk mesin dengan pelindung roda dengan tipe tuas klem

Longgarkan sekrup, kemudian tarik tuas sesuai arah panah. Pasang pelindung roda dengan posisi tonjolan ada di atas ikatan pelindung roda yang sejajar dengan cekungan-cekungan pada kotak penahan. Kemudian putar pelindung roda ke suatu sudut sehingga dapat melindungi operator sesuai dengan pekerjaan.

► **Gbr.9:** 1. Pelindung roda 2. Kotak penahan 3. Sekrup 4. Tuas

Tarik tuas sesuai arah panah. Kemudian rapatkan pelindung rodanya dengan cara mengencangkan sekrupnya. Pastikan bahwa sekrup sudah dikencangkan hingga aman. Sudut pada pelindung roda dapat disetel dengan tuasnya.

► **Gbr.10:** 1. Sekrup 2. Tuas

Untuk melepas pelindung roda, lakukan prosedur pemasangan dalam urutan terbalik.

Memasang atau melepaskan roda tengah gerinda atau cakram flap

Pilihan Aksesori

⚠️PERINGATAN: Ketika menggunakan roda tengah gerinda, atau cakram flap pelindung roda harus cocok dengan mesin sehingga bagian sisi yang tertutup dari pelindung selalu mengarah pada operator.

⚠️PERHATIAN: Pastikan bahwa bagian pemasangan flensa dalam benar-benar cocok untuk diameter dalam pada roda tengah gerinda / cakram flap. Memasang flensa dalam di sisi yang salah dapat mengakibatkan getaran yang berbahaya.

Pasang flensa dalam pada spindel.

Pastikan agar bagian flensa dalam penyok cocok dengan bagian lurus pada bagian bawah spindel.

Pasang roda tengah gerinda / cakram flap pada flensa dalam dan sekrup mur kunci ke dalam spindel.

► **Gbr.11:** 1. Mur kunci 2. Roda tengah pengasah 3. Flensa dalam 4. Bagian pemasangan

Untuk mengencangkan mur kunci, tekan kunci poros dengan kuat agar spindel tidak berputar, kemudian gunakan kunci pas baut pengunci dan kencangkan kuat-kuat searah jarum jam.

► **Gbr.12:** 1. Kunci pas baut pengunci 2. Kunci poros

Untuk melepas roda, lakukan prosedur pemasangan dalam urutan terbalik.

Memasang atau melepas roda flex

Pilihan Aksesori

⚠️PERINGATAN: Selalu gunakan pelindung dengan penahan jika roda flex dipasang pada mesin. Roda dapat pecah selama penggunaan, dan pelindung membantu mengurangi risiko cedera pada pengguna.

► **Gbr.13:** 1. Mur kunci 2. Roda flex 3. Bantal penyangga di belakang 4. Flensa dalam

Ikuti petunjuk untuk roda tengah gerinda, juga gunakan bantalan belakang di atas roda. Lihat urutan pemasangan pada halaman aksesori dalam buku petunjuk ini.

Memasang atau melepas cakram abrasif

Pilihan Aksesori

CATATAN: Gunakan aksesori mesin ampelas yang ditentukan dalam panduan ini. Aksesori tersebut harus dibeli secara terpisah.

Untuk model 100 mm

► **Gbr.14:** 1. Mur kunci pengampelasan 2. Cakram abrasif 3. Bantalan karet 4. Flensa dalam

1. Pasang flensa dalam pada spindel.
2. Pasang bantalan karet pada spindel.
3. Pasang cakram pada bantalan karet dan sekrup

mur kunci pengampelasan pada spindel.

4. Tahan spindel dengan kunci poros lalu kencangkan mur kunci pengampelasan searah dengan jarum jam dengan kunci pas baut pengunci hingga aman.

Untuk melepas cakram, lakukan prosedur pemasangan dalam urutan terbalik.

Untuk model 115 mm / 125 mm

► **Gbr.15:** 1. Mur kunci pengampelasan 2. Cakram abrasif 3. Bantalan karet

1. Pasang bantalan karet pada spindel.
2. Pasang cakram pada bantalan karet dan sekrup mur kunci pengampelasan pada spindel.
3. Tahan spindel dengan kunci poros lalu kencangkan mur kunci pengampelasan searah dengan jarum jam dengan kunci pas baut pengunci hingga aman.

Untuk melepas cakram, lakukan prosedur pemasangan dalam urutan terbalik.

PENGUNAAN

⚠️PERINGATAN: Tidak perlu sampai memaksa mesin. Bobot mesin sudah memberi tekanan yang cukup. Pemaksaan dan tekanan yang berlebihan dapat mengakibatkan kerusakan yang berbahaya pada roda.

⚠️PERINGATAN: SELALU ganti rodanya jika kinerja mesin menurun pada saat menggerinda.

⚠️PERINGATAN: JANGAN SEKALI-KALI membenturkan atau memukul cakram atau roda di tengah-tengah pengerjaan.

⚠️PERINGATAN: Jangan memantulkan dan mendekatkan roda pada permukaan tajam, terutama ketika bekerja pada sudut, pinggir yang tajam, dll. Hal ini dapat menyebabkan hilangnya kontrol dan bantingan.

⚠️PERINGATAN: JANGAN SEKALI-KALI menggunakan mesin dengan mata pisau pemotong kayu dan mata gergaji lainnya. Mata pisau semacam itu sering kali menghentak bila digunakan pada gerinda serta menyebabkan hilangnya kendali yang mengarah pada terjadinya cedera badan.

⚠️PERHATIAN: Jangan sekali-kali menyalakan mesin saat menyentuh benda kerja, hal tersebut bisa menyebabkan luka pada operator.

⚠️PERHATIAN: Selalu gunakan kaca mata pelindung atau pelindung muka selama pengoperasian.

⚠️PERHATIAN: Setelah pengoperasian, selalu matikan mesin dan tunggu sampai mesin benar-benar berhenti sebelum meletakkan mesin kembali.

⚠️PERHATIAN: SELALU pegang mesin kuat-kuat dengan satu tangan pada rumahan dan tangan lainnya pada sisi pegangan.

Operasi penggerindaan dan pengampelasan

► Gbr.16

Nyalakan mesin dan kemudian letakkan roda atau cakram di atas benda kerja.

Secara umum, pertahankan pinggiran roda atau cakram pada sudut sekitar 15° terhadap permukaan benda kerja.

Selama awal penggunaan roda baru, jangan menggerinda dengan arah ke depan sehingga benda kerja terpotong. Ketika pinggiran roda telah menjadi bulat karena terus digunakan, roda dapat bekerja dengan arah ke depan maupun ke belakang.

Operasi dengan roda pemotongan abrasif / roda intan

Pilihan Aksesori

⚠️PERINGATAN: Ketika menggunakan pemotong abrasif / roda intan, jangan gunakan selain pelindung roda khusus yang dirancang untuk digunakan bersama roda pemotong.

(Di beberapa negara Eropa, saat menggunakan roda berlian, pelindung yang umum dapat digunakan. Patuhi peraturan di negara Anda.)

⚠️PERINGATAN: JANGAN SEKALI-KALI menggunakan roda pemotongan untuk gerinda samping.

⚠️PERINGATAN: Jangan membuat roda “macet” atau menekannya secara berlebihan.

Jangan mencoba memotong terlalu dalam.

Memberikan tekanan berlebihan pada roda akan meningkatkan beban dan dapat menyebabkan roda berputar atau terjepit pada potongan dan terdapat kemungkinan terjadi hentakan balik, kerusakan roda dan panas yang berlebihan.

⚠️PERINGATAN: Jangan memulai pemotongan pada benda kerja. Biarkan roda mencapai kecepatan penuh dan perlahan masuk ke dalam pemotongan yang menggerakkan mesin ke depan di atas permukaan benda kerja. Roda mungkin saja macet, bergerak ke atas atau terjadi hentakan balik jika mesin listrik dinyalakan ulang pada benda kerja.

⚠️PERINGATAN: Selama operasi pemotongan, jangan ubah sudut roda. Memberikan tekanan samping pada roda pemotongan (seperti dalam proses gerinda) akan menyebabkan roda retak dan patah, sehingga pengguna mengalami cedera serius.

⚠️PERINGATAN: Roda berlian harus dioperasikan secara tegak lurus terhadap bahan yang akan dipotong.

- **Gbr.17:** 1. Mur kunci 2. Roda pemotongan abrasif / roda berlian 3. Flensa dalam 4. Pelindung roda untuk roda pemotongan abrasif / roda intan

Untuk pemasangan, ikuti petunjuk untuk roda tengah gerinda.

Arah untuk pemasangan mur kunci dan flensa dalam bervariasi tergantung pada jenis roda dan ketebalannya.

Perhatikan gambar berikut.

Untuk model 100 mm

Ketika memasang roda pemotong abrasif:

- **Gbr.18:** 1. Mur kunci 2. Roda pemotong abrasif (Lebih tipis dari 4 mm) 3. Roda pemotong abrasif (4 mm atau lebih tebal) 4. Flensa dalam

Ketika memasang roda berlian:

- **Gbr.19:** 1. Mur kunci 2. Roda berlian (Lebih tipis dari 4 mm) 3. Roda berlian (4 mm atau lebih tebal) 4. Flensa dalam

Untuk model 115 mm / 125 mm

Ketika memasang roda pemotong abrasif:

- **Gbr.20:** 1. Mur kunci 2. Roda pemotong abrasif (Lebih tipis dari 4 mm) 3. Roda pemotong abrasif (4 mm atau lebih tebal) 4. Flensa dalam dalam

Ketika memasang roda berlian:

- **Gbr.21:** 1. Mur kunci 2. Roda berlian (Lebih tipis dari 4 mm) 3. Roda berlian (4 mm atau lebih tebal) 4. Flensa dalam

Operasi dengan sikat kawat mangkuk

Pilihan Aksesori

⚠PERHATIAN: Periksa kerja sikat dengan menjalankan mesin tanpa beban, untuk memastikan bahwa tidak ada benda di depan atau sejajar dengan sikat.

⚠PERHATIAN: Jangan gunakan sikat yang rusak, atau yang tidak seimbang. Sikat yang rusak akan meningkatkan kemungkinan cedera akibat sentuhan dengan kawat sikat yang rusak.

- **Gbr.22:** 1. Sikat kawat mangkuk

Melepaskan kartrid baterai dari mesin dan letakkan mesin dengan posisi terbalik sehingga spindel dapat dijangkau dengan mudah.

Lepaskan semua aksesoris pada spindel. Pasang sikat kawat mangkuk ke dalam spindel dan kencangkan dengan kunci yang tersedia.

PEMBERITAHUAN: Jangan menekan terlalu keras, ketika menggunakan sikat karena nanti terlalu banyak kawat yang tertekuk. Akan terjadi patahan yang sebenarnya masih bisa dihindari.

Operasi dengan sikat roda kawat

Pilihan Aksesori

⚠PERHATIAN: Periksa kerja sikat roda kawat dengan menjalankan mesin tanpa beban, untuk memastikan bahwa tidak ada benda di depan atau sejajar dengan sikat.

⚠PERHATIAN: Jangan gunakan sikat roda kawat yang rusak, atau yang tidak seimbang. Sikat roda kawat yang rusak akan meningkatkan kemungkinan cedera akibat sentuhan dengan kawat yang rusak.

⚠PERHATIAN: SELALU gunakan pelindung dengan sikat roda kawat, sehingga diameter roda tetap sesuai dengan pelindung dalam. Roda dapat pecah selama penggunaan, dan pelindung membantu mengurangi risiko cedera pada pengguna.

- **Gbr.23:** 1. Sikat roda kawat

Melepaskan kartrid baterai dari mesin dan letakkan mesin dengan posisi terbalik sehingga spindel dapat dijangkau dengan mudah.

Lepaskan semua aksesoris pada spindel. Pasang sikat roda kawat ke dalam spindel dan kencangkan dengan

kunci yang tersedia.

PEMBERITAHUAN: Jangan menekan terlalu keras ketika menggunakan sikat roda kawat, karena nanti terlalu banyak kawat yang tertekuk. Akan terjadi patahan yang sebenarnya masih bisa dihindari.

PERAWATAN

⚠PERHATIAN: Selalu pastikan bahwa mesin dimatikan dan kartrid baterai dilepas sebelum melakukan pemeriksaan atau perawatan.

PEMBERITAHUAN: Jangan sekali-kali menggunakan bensin, tiner, alkohol, atau bahan sejenisnya. Penggunaan bahan demikian dapat menyebabkan perubahan warna, perubahan bentuk atau timbulnya retakan.

Pembersihan ventilasi udara

Mesin dan ventilasi udara harus dijaga agar tetap bersih. Bersihkan ventilasi udara mesin secara teratur atau saat ventilasi mulai terganggu.

- **Gbr.24:** 1. Ventilasi pengeluaran 2. Ventilasi penyerapan

Lepaskan penutup debu dari ventilasi penyerapan dan bersihkan untuk sirkulasi udara yang halus.

- **Gbr.25:** 1. Penutup debu

CATATAN: Bersihkan penutup debu saat tersumbat dengan debu atau benda asing. Melanjutkan operasi dengan penutup debu tersumbat dapat merusak mesin.

AKSESORI PILIHAN

⚠ PERHATIAN: Dianjurkan untuk menggunakan aksesoris atau perangkat tambahan ini dengan mesin Makita Anda yang ditentukan dalam petunjuk ini. Penggunaan aksesoris atau perangkat tambahan lain bisa menyebabkan risiko cedera pada manusia. Hanya gunakan aksesoris atau perangkat tambahan sesuai dengan peruntukannya.

Jika Anda memerlukan bantuan lebih rinci berkenaan dengan aksesoris ini, tanyakan pada Pusat Layanan Makita terdekat.

- Baterai dan pengisi daya asli buatan Makita

► Gbr.26

-	Model 100 mm	Model 115 mm	Model 125 mm
1	Gagang 36		
2	Pelindung roda (untuk roda gerinda)		
3	Flensa dalam		
4	Roda tengah gerinda / Cakram flap		
5	Mur kunci		
6	Bantal penyangga di belakang		
7	Roda flex		
8	Flensa dalam dan bantalan karet 76	Bantalan karet 100	Bantalan karet 115
9	Cakram abrasif		
10	Mur kunci pengampelasan		
11	Sikat roda kawat		
12	Sikat kawat mangkuk		
13	Pelindung Roda (untuk roda pemotong)*1		
14	Roda pemotongan abrasif / Roda berlian		
-	Kunci pas baut pengunci		

CATATAN: *1 Di beberapa negara Eropa, pada waktu menggunakan roda berlian, pelindung biasa boleh digunakan, sebagai ganti pelindung khusus yang menutupi kedua sisi roda. Patuhi peraturan di negara Anda.

CATATAN: Beberapa item dalam daftar tersebut mungkin sudah termasuk dalam paket mesin sebagai aksesoris standar. Hal tersebut dapat berbeda dari satu negara ke negara lainnya.

THÔNG SỐ KỸ THUẬT

Kiểu máy:	DGA408	DGA458	DGA508
Đường kính đĩa mài	100 mm (4")	115 mm (4-1/2")	125 mm (5")
Chiều dày đĩa mài tối đa	6,4 mm		
Ren của trụ quay	M10	M14 hoặc 5/8" (quốc gia cụ thể)	
Tốc độ định mức (n)	8.500 min ⁻¹		
Chiều dài tổng thể	Với hộp pin BL1815N, BL1820, BL1820B	348 mm	
	Với hộp pin BL1830, BL1830B, BL1840, BL1840B, BL1850, BL1850B, BL1860B	362 mm	
Trọng lượng tịnh	Với hộp pin BL1815N, BL1820, BL1820B	2,2 kg	2,4 kg
	Với hộp pin BL1830, BL1830B, BL1840, BL1840B, BL1850, BL1850B, BL1860B	2,5 kg	2,6 kg
Điện áp định mức	18 V một chiều		

- Do chương trình nghiên cứu và phát triển liên tục của chúng tôi nên các thông số kỹ thuật trong đây có thể thay đổi mà không cần thông báo trước.
- Các thông số kỹ thuật và hộp pin có thể thay đổi tùy theo từng quốc gia.
- Trọng lượng kèm theo hộp pin theo Quy trình EPTA 01/2003

Ký hiệu

Phần dưới đây cho biết các ký hiệu được dùng cho thiết bị. Đảm bảo rằng bạn hiểu rõ ý nghĩa của các ký hiệu này trước khi sử dụng.



Đọc tài liệu hướng dẫn.



Mang kính an toàn.



Cd
Ni-MH
Li-ion

Chỉ dành cho các quốc gia EU
Không thải bỏ thiết bị điện hoặc bộ pin cùng với các chất thải sinh hoạt!
Đề tuân thủ các Chỉ thị của Châu Âu về thiết bị điện và điện tử thải bỏ, và về pin và ắc quy và pin và ắc quy thải bỏ, và thi hành những chỉ thị này phù hợp với luật lệ quốc gia, các thiết bị điện tử và pin và (các) bộ pin không còn sử dụng được nữa phải được thu nhặt riêng và đưa trở lại một cơ sở tái chế tương thích với môi trường.

Mục đích sử dụng

Dụng cụ này được dùng để mài, chà nhám và cắt kim loại và các vật liệu bằng đá mà không cần sử dụng nước.

Cảnh báo an toàn chung dành cho dụng cụ máy

⚠ CẢNH BÁO: Đọc tất cả các cảnh báo an toàn và tất cả hướng dẫn. Việc không tuân theo các cảnh báo và hướng dẫn có thể dẫn đến điện giật, hỏa hoạn và/hoặc thương tích nghiêm trọng.

Lưu giữ tất cả cảnh báo và hướng dẫn để tham khảo sau này.

Thuật ngữ "dụng cụ máy" trong các cảnh báo đề cập đến dụng cụ máy (có dây) được vận hành bằng nguồn điện chính hoặc dụng cụ máy (không dây) được vận hành bằng pin của bạn.

An toàn tại nơi làm việc

1. **Giữ nơi làm việc sạch sẽ và có đủ ánh sáng.** Nơi làm việc bừa bộn hoặc tối thường dễ gây ra tai nạn.
2. **Không vận hành dụng cụ máy trong môi trường cháy nổ, ví dụ như môi trường có sự hiện diện của các chất lỏng, khí hoặc bụi dễ cháy.** Các dụng cụ máy tạo tia lửa điện có thể làm bụi hoặc khí bốc cháy.
3. **Giữ trẻ em và người ngoài tránh xa nơi làm việc khi đang vận hành dụng cụ máy.** Sự xao lãng có thể khiến bạn mất khả năng kiểm soát.

An toàn về Điện

1. **Phích cắm của dụng cụ máy phải khớp với ổ cắm.** Không được sửa đổi phích cắm theo bất kỳ cách nào. Không sử dụng bất kỳ phích

chuyển đổi nào với các dụng cụ máy được nối đất (tiếp đất). Các phích cắm còn nguyên vẹn và ổ cắm phù hợp sẽ giảm nguy cơ điện giật.

- 2. Tránh để cơ thể tiếp xúc với các bề mặt nổi đất hoặc tiếp đất như đường ống, bộ tản nhiệt, bếp ga và tủ lạnh.** Nguy cơ bị điện giật sẽ tăng lên nếu cơ thể bạn chạm nổi đất hoặc tiếp đất.
- 3. Không để dụng cụ máy tiếp xúc với mưa hoặc trong điều kiện ẩm ướt.** Nước lọt vào dụng cụ máy sẽ làm tăng nguy cơ điện giật.
- 4. Không làm dụng cụ dây điện.** Không được phép sử dụng dây để mang, kéo hoặc tháo phích cắm dụng cụ máy. Giữ dây tránh xa nguồn nhiệt, dầu, các mép sắc hoặc các bộ phận chuyển động. Dây bị hỏng hoặc bị rối sẽ làm tăng nguy cơ điện giật.
- 5. Khi vận hành dụng cụ máy ngoài trời, hãy sử dụng dụng cụ kéo dài phù hợp cho việc sử dụng ngoài trời.** Việc dùng dây phù hợp cho việc sử dụng ngoài trời sẽ giảm nguy cơ điện giật.
- 6. Nếu bắt buộc phải vận hành dụng cụ máy ở nơi ẩm ướt, hãy sử dụng nguồn cấp điện được bảo vệ bằng thiết bị ngắt dòng điện rò (RCD).** Việc sử dụng RCD sẽ làm giảm nguy cơ điện giật.

An toàn Cá nhân

- 1. Luôn tỉnh táo, quan sát những việc bạn đang làm và sử dụng những phán đoán theo kinh nghiệm khi vận hành dụng cụ máy.** Không sử dụng dụng cụ máy khi bạn đang mệt mỏi hoặc chịu ảnh hưởng của ma túy, rượu hay thuốc. Chỉ một khoảnh khắc không tập trung khi đang vận hành dụng cụ máy cũng có thể dẫn đến thương tích cá nhân nghiêm trọng.
- 2. Sử dụng thiết bị bảo hộ cá nhân.** Luôn đeo thiết bị bảo vệ mắt. Các thiết bị bảo hộ như mặt nạ chống bụi, giày an toàn chống trượt, mũ bảo hộ hay thiết bị bảo vệ thính giác được sử dụng trong các điều kiện thích hợp sẽ giúp giảm thương tích cá nhân.
- 3. Tránh vô tình khởi động dụng cụ máy.** Đảm bảo công tắc ở vị trí off (tắt) trước khi nối nguồn điện và/hoặc bộ pin, cầm hoặc di chuyển dụng cụ máy. Việc di chuyển dụng cụ máy khi đang đặt ngón tay ở vị trí công tắc hoặc cấp điện cho dụng cụ máy đang bật thường dễ gây ra tai nạn.
- 4. Tháo tắt cả các khóa hoặc cờ lê điều chỉnh trước khi bật dụng cụ máy.** Việc cờ lê hoặc khóa vẫn còn gắn vào bộ phận quay của dụng cụ máy có thể dẫn đến thương tích cá nhân.
- 5. Không với quá cao.** Luôn giữ thăng bằng tốt và có chỗ để chân phù hợp. Điều này cho phép điều khiển dụng cụ máy tốt hơn trong những tình huống bất ngờ.
- 6. Ăn mặc phù hợp.** Không mặc quần áo rộng hay đeo đồ trang sức. Giữ tóc, quần áo và giày tay tránh xa các bộ phận chuyển động. Quần áo rộng, đồ trang sức hay tóc dài có thể mắc vào các bộ phận chuyển động.
- 7. Nếu cần thiết bị được cung cấp để kết nối các thiết bị thu gom và hút bụi, hãy đảm bảo chúng được kết nối và sử dụng hợp lý.** Việc sử dụng thiết bị thu gom bụi có thể làm giảm những mối nguy hiểm liên quan đến bụi.

Sử dụng và bảo quản dụng cụ máy

- 1. Không dùng lực đối với dụng cụ máy.** Sử dụng đúng dụng cụ máy cho công việc của bạn. Sử dụng đúng dụng cụ máy sẽ giúp thực hiện công việc tốt hơn và an toàn hơn theo giá trị định mức được thiết kế của dụng cụ máy đó.
- 2. Không sử dụng dụng cụ máy nếu công tắc không bật và tắt được dụng cụ máy đó.** Mọi dụng cụ máy không thể điều khiển được bằng công tắc đều rất nguy hiểm và phải được sửa chữa.
- 3. Rút phích cắm ra khỏi nguồn điện và/hoặc ngắt kết nối bộ pin khỏi dụng cụ máy trước khi thực hiện bất kỳ công việc điều chỉnh, thay đổi phụ tùng hay cắt giữ dụng cụ máy nào.** Những biện pháp an toàn phòng ngừa này sẽ giảm nguy cơ vô tình khởi động dụng cụ máy.
- 4. Cắt giữ các dụng cụ máy không sử dụng ngoài tầm với của trẻ em và không cho bất kỳ người nào không có hiểu biết về dụng cụ máy hoặc các hướng dẫn này vận hành dụng cụ máy.** Dụng cụ máy sẽ rất nguy hiểm nếu được sử dụng bởi những người dùng chưa qua đào tạo.
- 5. Bảo quản dụng cụ máy.** Kiểm tra tình trạng lệch trục hoặc bó kẹt của các bộ phận chuyển động, hiện tượng nứt vỡ của các bộ phận và mọi tình trạng khác mà có thể ảnh hưởng đến hoạt động của dụng cụ máy. Nếu có hỏng hóc, hãy sửa chữa dụng cụ máy trước khi sử dụng. Nhiều tai nạn xảy ra là do không bảo quản tốt dụng cụ máy.
- 6. Luôn giữ cho dụng cụ cắt được sắc bén và sạch sẽ.** Những dụng cụ cắt được bảo quản tốt có mức cắt sắc sẽ ít bị kẹt hơn và dễ điều khiển hơn.
- 7. Sử dụng dụng cụ máy, phụ tùng và đầu dụng cụ cắt, v.v... theo các hướng dẫn này, có tính đến điều kiện làm việc và công việc được thực hiện.** Việc sử dụng dụng cụ máy cho các công việc khác với công việc dự định có thể gây nguy hiểm.

Sử dụng và bảo quản dụng cụ dùng pin

- 1. Chỉ sạc pin lại với bộ sạc do nhà sản xuất quy định.** Bộ sạc phù hợp với một loại bộ pin này có thể gây ra nguy cơ hỏa hoạn khi được dùng cho một bộ pin khác.
- 2. Chỉ sử dụng các dụng cụ máy với các bộ pin được quy định cụ thể.** Việc sử dụng bất cứ bộ pin nào khác có thể gây ra thương tích và hỏa hoạn.
- 3. Khi không sử dụng bộ pin, hãy giữ tránh xa các đồ vật khác bằng kim loại, chẳng hạn như kẹp giấy, tiền xu, chìa khóa, đinh, ốc vít hoặc các vật nhỏ bằng kim loại mà có thể làm nổi tất các đầu cực pin.** Các đầu cực pin bị đoản mạch có thể gây cháy hoặc hỏa hoạn.
- 4. Trong điều kiện sử dụng quá mức, pin có thể bị chảy nước; hãy tránh tiếp xúc.** Nếu vô tình tiếp xúc với pin bị chảy nước, hãy rửa sạch bằng nước. Nếu dung dịch từ pin tiếp xúc với mắt, cần đi khám bác sĩ thêm. Dung dịch chảy ra từ pin có thể gây rát da hoặc bỏng.

Bảo dưỡng

- 1. Để nhân viên sửa chữa đủ trình độ bảo dưỡng**

dụng cụ máy của bạn và chỉ sử dụng các bộ phận thay thế đồng nhất. Việc này sẽ đảm bảo duy trì được độ an toàn của dụng cụ máy.

2. **Tuân theo hướng dẫn dành cho việc bôi trơn và thay phụ tùng.**
3. **Giữ tay cầm khô, sạch, không dính dầu và mỡ.**

Cảnh báo an toàn về máy mài góc chạy pin

Cảnh báo an toàn chung cho các thao tác mài, chà nhám, đánh bàn chải kim loại, hoặc cắt nhám:

1. **Dụng cụ máy này có chức năng như một máy mài, máy chà nhám, chổi sắt kim loại hoặc dụng cụ cắt. Xin đọc tất cả các cảnh báo an toàn, hướng dẫn, minh họa và thông số kỹ thuật đi kèm với dụng cụ máy này.** Việc không tuân theo các hướng dẫn được liệt kê dưới đây có thể dẫn đến điện giật, hỏa hoạn và/hoặc thương tích nghiêm trọng.
2. **Các thao tác như đánh bóng không được khuyến khích thực hiện bằng dụng cụ máy này.** Các thao tác mà dụng cụ máy này không được thiết kế để thực hiện có thể tạo ra nguy hiểm và gây thương tích cá nhân.
3. **Không được dùng các phụ kiện không được thiết kế đặc biệt và không theo khuyến cáo của nhà sản xuất dụng cụ.** Bởi nếu có thể gắn phụ kiện đó vào dụng cụ máy của bạn thì điều đó hoàn toàn không đảm bảo việc vận hành máy an toàn.
4. **Tốc độ định mức của phụ kiện ít nhất phải bằng tốc độ tối đa được đánh dấu trên dụng cụ máy này.** Các phụ kiện chạy nhanh hơn tốc độ định mức của chúng có thể bị vỡ và bay ra ngoài.
5. **Đường kính bên ngoài và độ dày của phụ kiện phải nằm trong mức đánh giá công suất của dụng cụ máy của bạn.** Các phụ kiện có kích thước không chính xác không thể được bảo vệ hoặc kiểm soát một cách đầy đủ.
6. **Lắp ren của phụ kiện phải khớp với ren của trụ quay máy mài. Đối với các phụ kiện được gắn bằng mặt bích, lỗ trục tâm của phụ kiện đó phải vừa khít với đường kính định vị của mặt bích.** Các phụ kiện không khớp với phần kim loại lắp ghép của dụng cụ máy sẽ bị mất cân bằng, rung động quá mức và có thể gây ra mất kiểm soát.
7. **Không sử dụng phụ kiện đã hư hỏng. Trước mỗi lần sử dụng, kiểm tra phụ kiện như đĩa nhám xem có các mặt vụn và vết nứt hay không, tấm đặt lót xem có nứt gãy hoặc bị ăn mòn quá mức không, sợi kim loại của chổi sắt kim loại có bị lỏng hoặc nứt không.** Nếu dụng cụ máy hoặc phụ kiện bị rơi, hãy kiểm tra hư hỏng hoặc lắp lại phụ kiện không bị hư hại. Sau khi kiểm tra và cài đặt phụ kiện, hãy tìm chỗ đứng cho bản thân mình và những người xung quanh để tránh xa mặt phẳng phụ kiện quay và chạy dụng cụ máy này ở tốc độ không tải tối đa trong vòng một phút. Phụ kiện bị hư hỏng thông thường sẽ bị vỡ trong thời gian thử nghiệm này.
8. **Mang thiết bị bảo hộ cá nhân.** Tùy thuộc vào việc sử dụng máy, hãy dùng mặt nạ bảo vệ mặt, kính bảo hộ hoặc kính an toàn. Khi thích

hợp, hãy mang mặt nạ chống bụi, dụng cụ bảo vệ thính giác, găng tay và tạp dề làm việc có khả năng ngăn chặn các mảnh mài mòn hoặc mảnh vỡ từ vật gia công. Thiết bị bảo vệ mắt phải có khả năng ngăn chặn các mảnh vụn bay ra phát sinh bởi các hoạt động khác nhau. Mặt nạ chống bụi hoặc khẩu trang phải có khả năng lọc được các hạt tạo ra bởi hoạt động của bạn. Tiếp xúc kéo dài với tiếng ồn có cường độ cao có thể gây ra mất thính giác.

9. **Giữ những người xung quanh tránh xa nơi làm việc một khoảng cách an toàn. Bất cứ ai bước vào khu vực làm việc đều phải đeo thiết bị bảo hộ cá nhân.** Các mảnh vỡ của phôi gia công hoặc phụ kiện bị vỡ có thể bắn ra và gây thương tích bên ngoài khu vực thao tác cạnh đó.
10. **Chỉ cần dụng cụ máy bằng bề mặt tay cầm cách điện khi thực hiện một thao tác trong đó dụng cụ cắt có thể tiếp xúc với dây điện ngầm.** Tiếp xúc với dây dẫn "có điện" có thể khiến các bộ phận kim loại bị hở của dụng cụ máy "có điện" và có thể làm cho người vận hành bị điện giật.
11. **Không bao giờ đặt dụng cụ máy xuống cho đến khi phụ kiện đã dừng hẳn.** Phụ kiện quay có thể quán lấy bề mặt và kéo công cụ máy vượt khỏi tầm kiểm soát của bạn.
12. **Không được chạy dụng cụ máy trong lúc đang mang bên hông bạn.** Tiếp xúc bất ngờ với phụ kiện quay có thể quán lấy quần áo của bạn, kéo phụ kiện văng vào người bạn.
13. **Thường xuyên làm sạch các lỗ thổi hơi của dụng cụ máy.** Quạt của động cơ sẽ thu hút bụi vào bên trong vỏ và nhiều bột kim loại tích tụ có thể gây ra các nguy hiểm về điện.
14. **Không vận hành công cụ máy gần các vật liệu dễ cháy.** Các tia lửa có thể kích cháy các vật liệu này.
15. **Không sử dụng các phụ kiện có yêu cầu chất làm mát dạng lỏng.** Sử dụng chất làm mát bằng nước hoặc chất lỏng khác có thể dẫn đến điện giật hoặc sốc.

Lực đẩy ngược và Cảnh báo Liên quan

Lực đẩy ngược là phản ứng bất ngờ đối với đĩa mài, tấm đặt lót, chổi hoặc bất cứ phụ kiện nào khác đang quay nhưng bị kẹt hoặc bị quán. Việc bị kẹt hoặc quán sẽ làm phụ kiện đang quay bị dừng nhanh chóng và do đó dụng cụ máy không kiểm soát được sẽ bị buộc phải theo hướng đối diện hướng quay của phụ kiện tại điểm bị ràng buộc.

Ví dụ, nếu đĩa nhám bị quán hoặc kẹt bởi phôi gia công, phần mép của đĩa đang đi vào điểm kẹt có thể cây xới bề mặt vật liệu làm đĩa nhám trượt hoặc văng ra ngoài. Đĩa nhám có thể hoặc bật ra về gần hoặc xa khỏi người vận hành, tùy thuộc vào hướng chuyển động của đĩa nhám tại điểm kẹt. Đĩa nhám cũng có thể bị vỡ trong những tình trạng sau.

Lực đẩy ngược là kết quả của việc sử dụng dụng cụ máy không đúng và/hoặc do các quy trình vận hành hoặc các điều kiện không chính xác và có thể tránh được bằng cách thực hiện các biện pháp phòng ngừa thích hợp như được nêu dưới đây.

1. **Nắm giữ chắc dụng cụ máy và chọn thế đứng và vị trí tay cầm để cho phép bạn chống lại lực đẩy ngược. Luôn luôn sử dụng tay cầm phụ, nếu được cung cấp, để kiểm soát tối đa lực đẩy ngược hoặc mô-men xoắn trong lúc**

Khởi động. Người vận hành máy có thể kiểm soát mô-men xoắn hay lực đẩy ngược nếu thực hiện các biện pháp phòng ngừa đúng cách.

2. **Không bao giờ đặt tay bạn gần phụ kiện quay.** Phụ kiện có thể quạt ngược lại lên tay bạn.
3. **Không đứng tại vị trí nơi dụng cụ máy sẽ bị đẩy tới nếu xảy ra lực đẩy ngược.** Lực đẩy ngược sẽ làm xoay dụng cụ theo hướng ngược lại chuyển động của đĩa mài tại vị trí bị quấn.
4. **Cần đặc biệt cẩn thận khi thao tác với các cạnh góc, mép sắc, v.v... Tránh làm đổ ra và quần vào phụ kiện.** Các góc, mép sắc hoặc dôi ra có xu hướng làm quần lấy phụ kiện đang quay và gây mất kiểm soát hoặc tạo lực đẩy ngược.
5. **Không được gắn lưỡi cưa xích khác gỗ hoặc lưỡi cưa răng.** Các loại lưỡi như vậy thường tạo ra lực đẩy ngược và dễ mất kiểm soát.

Cảnh báo an toàn cụ thể cho thao tác mài và cắt nhám:

1. **Chỉ sử dụng các loại đĩa mài được khuyến nghị cho dụng cụ máy của bạn và phần bảo vệ cụ thể được thiết kế cho đĩa mài được chọn.** Các đĩa mài mà dụng cụ máy này không được thiết kế cho chúng sẽ không thể được bảo vệ đầy đủ và thường không an toàn.
2. **Bề mặt tay cầm của đĩa mài trung tâm bị nén xuống phải được gắn dưới mặt phẳng của mép phần bảo vệ.** Đĩa mài gắn không đúng cách nhả ra khỏi mặt phẳng của mép phần bảo vệ sẽ không thể được bảo vệ đầy đủ.
3. **Phần bảo vệ phải được gắn chặt vào dụng cụ máy và được để ở vị trí an toàn tối đa, do đó số đĩa mài tiếp xúc với người vận hành là ít nhất.** Phần bảo vệ giúp bảo vệ người vận hành khỏi mảnh vỡ từ đĩa mài bị vỡ, tiếp xúc bất ngờ với đĩa mài và các tia lửa có thể kích cháy quần áo.
4. **Chỉ sử dụng đĩa mài cho các ứng dụng được khuyến nghị.** Ví dụ: không mài mặt bên của đĩa mài cắt. Đĩa mài cắt nhám được dùng để mài ngoại vi, tác dụng lực mặt bên lên những đĩa mài này có thể khiến chúng vỡ vụn.
5. **Luôn luôn sử dụng mặt bích đĩa mài không bị hư hại có kích thước và hình dạng chính xác cho đĩa mài bạn đã chọn.** Các mặt bích đĩa mài phù hợp sẽ hỗ trợ đĩa mài giảm bớt khả năng bị vỡ đĩa mài. Các mặt bích dành cho đĩa cắt có thể khác với các mặt bích dành cho đĩa mài.
6. **Không sử dụng các đĩa đã bị mài mòn từ các dụng cụ máy lớn hơn.** Đĩa mài dùng cho dụng cụ máy lớn hơn sẽ không phù hợp với tốc độ cao hơn của dụng cụ nhỏ và có thể nổ.

Cảnh báo an toàn bổ sung chỉ định cho thao tác cắt nhám:

1. **Không làm “kẹt” đĩa cắt hoặc dùng lực quá nhiều.** Không có thực hiện chiều sâu cắt quá mức. Dùng lực quá nhiều lên đĩa mài sẽ làm tăng tải trọng và dễ bị xoắn hoặc bị kẹt đĩa mài khi cắt và có khả năng đẩy ngược hoặc bị vỡ đĩa mài.
2. **Không được để cơ thể bạn thẳng hàng và phía sau đĩa mài đang quay.** Khi đĩa mài, ở điểm vận hành, đang di chuyển ra xa cơ thể bạn, lực bật ngược có thể xảy ra có thể có thể đẩy đĩa mài quay và dụng cụ máy trực tiếp về phía bạn.
3. **Khi đĩa mài bị bó kẹt hoặc khi đường cắt bị**

gián đoạn vì bất kỳ lý do nào, hãy tắt dụng cụ máy và giữ dụng cụ máy đứng im cho đến khi đĩa mài hoàn toàn dừng lại. Không được cố gỡ đĩa cắt ra khỏi đường cắt khi đĩa mài vẫn đang chuyển động nếu không có thể xảy ra hiện tượng bật ngược lại. Kiểm tra và tiến hành khắc phục để loại bỏ nguyên nhân gây bó kẹt đĩa mài.

4. **Không khởi động lại thao tác cắt trong phôi gia công.** Để đĩa mài đạt đến tốc độ tối đa và cần thận nhập lại đường cắt. Đĩa mài có thể bị máy kẹt, bật lên hoặc bật ngược lại nếu dụng cụ máy được khởi động lại trong phôi gia công.
5. **Đỡ tâm ván hoặc phôi gia công có kích thước quá lớn để giảm thiểu nguy cơ làm kẹt bó đĩa và bật ngược lại.** Phôi gia công lớn thường có xu hướng võng xuống do trọng lượng của nó. Phải đặt các giá đỡ dưới phôi gia công gần đường cắt và gần cạnh của phôi gia công ở cả hai phía của đĩa mài.
6. **Đặc biệt cần trọng khi thực hiện “cắt luân” và các trường có sản hoặc các vùng khó nhìn khác.** Đĩa mài nhô ra có thể cắt phải ống ga hoặc ống nước, dây điện hoặc các vật có khả năng gây nên hiện tượng bật lại.

Cảnh báo an toàn chỉ định cho thao tác chà nhám:

1. **Không sử dụng giấy chà nhám dạng đĩa có khổ quá lớn.** Làm theo các khuyến nghị của nhà sản xuất khi lựa chọn giấy nhám. Giấy nhám lớn hơn vượt ra khỏi tầm đánh nhám sẽ dễ gây nguy hiểm rách giấy và có thể gây quần, xước đĩa hoặc tạo lực đẩy ngược.

Cảnh báo an toàn chỉ định cho thao tác đánh bàn chải kim loại:

1. **Cần biết rằng các sợi lông cứng bằng kim loại sẽ bị văng ra khỏi chổi quay cả trong quá trình vận hành bình thường.** Không dùng lực ứng suất vượt tải lên sợi kim loại bằng cách áp tải quá mức lên chổi. Các sợi lông cứng bằng kim loại có thể dễ dàng xuyên qua quần áo mỏng và/hoặc da.
2. **Nếu sử dụng phần bảo vệ được khuyến nghị để đánh bàn chải kim loại, không để cho bất kỳ đĩa sợi hoặc chổi sắt nào vướng vào phần bảo vệ.** Đĩa sợi hoặc chổi sắt có thể mở rộng đường kính do tải trọng công việc và lực ly tâm.

Cảnh báo an toàn bổ sung:

1. **Chỉ sử dụng đĩa mài trung tâm bị nén xuống, hãy chắc chắn là bạn chỉ sử dụng đĩa mài có sợi thủy tinh gia cố.**
2. **KHÔNG BAO GIỜ SỬ DỤNG** đĩa mài loại Nấp chụp bằng đá cho máy mài này. Máy mài này không được thiết kế cho những loại đĩa mài này và việc sử dụng một sản phẩm như vậy có thể gây thương tích và nhân nghiêm trọng.
3. **Cẩn thận không được làm hỏng trụ quay, mặt bích (đặc biệt là bề mặt lắp đặt) hoặc đai ốc khóa.** Hư hỏng đối với các bộ phận này có thể dẫn đến vỡ đĩa mài.
4. **Phải đảm bảo rằng đĩa mài không tiếp xúc với phôi gia công trước khi bật công tắc lên.**
5. **Trước khi sử dụng dụng cụ này trên phôi gia công thực, hãy để dụng cụ chạy trong ít phút.** Theo dõi sự rung động hoặc đu đưa qua lại có thể cho thấy việc lắp đặt không đạt yêu cầu

- hoặc đĩa mài được cân bằng kém.
- Sử dụng bề mặt của đầu mài chỉ định để thực hiện mài.
 - Không để mặc dụng cụ hoạt động. Chỉ vận hành dụng cụ khi cầm trên tay.
 - Không chạm vào phôi gia công ngay sau khi vận hành; chúng có thể rất nóng và có thể gây bỏng da.
 - Tuân thủ các hướng dẫn của nhà sản xuất để gắn và sử dụng chính xác các đĩa mài. Xử lý và lưu trữ các đĩa mài cẩn thận.
 - Không sử dụng các ống đệm giảm thiểu tiếng ồn hoặc các bộ tiếp nối để lắp các đĩa nhám có lỗ lớn vào.
 - Chỉ sử dụng các mặt bích được quy định cho dụng cụ này.
 - Đối với các dụng cụ dự định sẽ được trang bị đĩa mài lỗ có ren, đảm bảo rằng các ren trong đĩa mài đủ dài để chấp nhận chiều dài trục quay.
 - Kiểm tra xem phôi gia công đã được kê đỡ đầy đủ chưa.
 - Chỉ ý rằng đĩa mài sẽ tiếp tục quay sau khi tắt dụng cụ.
 - Nếu nơi làm việc rất nóng và ẩm ướt, hoặc bị ô nhiễm nặng bởi bụi dẫn điện, hãy dùng bộ ngắt điện đoàn mạch (30 mA) để bảo đảm an toàn cho người vận hành.
 - Không dùng dụng cụ này trên bất kỳ vật liệu nào có chứa amiăng.
 - Khi sử dụng đĩa cắt, luôn làm việc bằng phần bảo vệ đĩa gom bụi bắt buộc theo quy định trong nước.
 - Đĩa cắt không phải chịu bất kỳ áp lực bên nào.
 - Không sử dụng gang tay làm việc bằng vải trong khi vận hành. Sợi từ gang tay bằng vải có thể đi vào dụng cụ, làm dụng cụ hư hỏng.

LƯU GIỮ CÁC HƯỚNG DẪN NÀY.

⚠ CẢNH BÁO: KHÔNG vì đã thoải mái hay quen thuộc với sản phẩm (có được do sử dụng nhiều lần) mà không tuân thủ nghiêm ngặt các quy định về an toàn dành cho sản phẩm này. **VIỆC DÙNG SAI** hoặc không tuân theo các quy định về an toàn được nêu trong tài liệu hướng dẫn này có thể dẫn đến thương tích cá nhân nghiêm trọng.

Hướng dẫn quan trọng về an toàn dành cho hộp pin

- Trước khi sử dụng hộp pin, hãy đọc kỹ tất cả các hướng dẫn và dấu hiệu cảnh báo trên (1) bộ sạc pin, (2) pin và (3) sản phẩm sử dụng pin.
- Không tháo rời hộp pin.
- Nếu thời gian vận hành ngắn hơn quá mức, hãy ngừng vận hành ngay lập tức. Điều này có thể dẫn đến rủi ro quá nhiệt, có thể gây bỏng và thậm chí là nổ.
- Nếu chất điện phân rơi vào mắt, hãy rửa sạch bằng nước sạch và đến cơ sở y tế ngay lập

tức. Chất này có thể khiến bạn giảm thị lực.

- Không để hộp pin ở tình trạng đoản mạch:
 - Không chạm vào cực pin bằng vật liệu dẫn điện.
 - Tránh cất giữ hộp pin trong hộp có các vật kim loại khác như đinh, tiền xu, v.v...
 - Không được để hộp pin tiếp xúc với nước hoặc mưa.
 Đoàn mạch pin có thể gây ra dòng điện lớn, quá nhiệt, có thể gây bỏng và thậm chí là hỏng hóc.
- Không cất giữ dụng cụ và hộp pin ở nơi nhiệt độ có thể lên tới hoặc vượt quá 50°C.
- Không đốt hộp pin ngay cả khi hộp pin đã bị hư hại nặng hoặc hư hỏng hoàn toàn. Hộp pin có thể nổ khi tiếp xúc với lửa.
- Hãy cẩn trọng không làm rơi hoặc làm méo pin.
- Không sử dụng pin đã hỏng.
- Pin nén lithium-ion là đối tượng có yêu cầu bắt buộc theo Luật Hàng hoá Nguy hiểm. Đối với vận tải thương mại, ví dụ như vận tải do bên thứ ba, đại lý giao nhận, thì yêu cầu đặc biệt về đóng gói và nhãn ghi phải được giám sát. Để chuẩn bị cho mặt hàng cần vận chuyển, cần phải tham khảo ý kiến chuyên gia về vật liệu nguy hiểm. Nếu được, vui lòng tuân thủ các quy định quốc gia chi tiết hơn. Buộc hoặc niêm phong các tiếp điểm mở và đóng gói pin theo cách đó để nó không thể di chuyển trong bao bì.
- Tuân theo các quy định của địa phương liên quan đến việc thải bỏ pin.

LƯU GIỮ CÁC HƯỚNG DẪN NÀY.

⚠ THẬN TRỌNG: Chỉ sử dụng pin Makita chính hãng. Việc sử dụng pin không chính hãng Makita, hoặc pin đã được sửa đổi, có thể dẫn đến nổ pin gây ra cháy, thương tích và thiệt hại cá nhân. Nó cũng sẽ làm mất hiệu lực bảo hành của Makita dành cho dụng cụ của Makita và bộ sạc.

Mẹo duy trì tuổi thọ tối đa cho pin

- Sạc hộp pin trước khi pin bị xả điện hoàn toàn. Luôn dừng việc vận hành dụng cụ và sạc pin khi bạn nhận thấy công suất dụng cụ bị giảm.
- Không được phép sạc lại một hộp pin đã được sạc đầy. Sạc quá mức sẽ làm giảm tuổi thọ của pin.
- Sạc pin ở nhiệt độ phòng 10°C - 40°C. Để cho hộp pin nóng nguội lại dần trước khi sạc pin.
- Sạc pin sáu tháng một lần nếu bạn không sử dụng dụng cụ trong một thời gian dài (hơn sáu tháng).

MÔ TẢ CHỨC NĂNG

⚠ THẬN TRỌNG: Luôn đảm bảo rằng đã tắt dụng cụ và tháo hộp pin ra trước khi thực hiện việc điều chỉnh hoặc kiểm tra chức năng trên dụng cụ.

Lắp hoặc tháo hộp pin

⚠ THẬN TRỌNG: Luôn tắt dụng cụ trước khi lắp hoặc tháo hộp pin.

⚠ THẬN TRỌNG: Giữ dụng cụ và hộp pin thật chắc khi lắp hoặc tháo hộp pin. Không giữ dụng cụ và hộp pin thật chắc có thể làm trượt chúng khỏi tay và làm hư hỏng dụng cụ và hộp pin hoặc gây thương tích cá nhân.

► **Hình1:** 1. Đèn chỉ báo màu đỏ 2. Nút 3. Hộp pin

Để tháo hộp pin, vừa trượt pin ra khỏi dụng cụ vừa đẩy trượt nút ở phía trước hộp pin.

Để lắp hộp pin, đặt thẳng hàng phần chốt nhỏ ra của hộp pin vào phần rãnh nằm trên vỏ và trượt hộp pin vào vị trí. Đưa hộp pin vào cho đến khi chốt khóa vào đúng vị trí với một tiếng “cách” nhẹ. Nếu bạn vẫn còn nhìn thấy đèn chỉ báo màu đỏ ở mặt trên của nút, điều đó có nghĩa là chốt vẫn chưa được khóa hoàn toàn.

⚠ THẬN TRỌNG: Luôn lắp hộp pin khớp hoàn toàn vào vị trí cho đến khi không thể nhìn thấy đèn chỉ báo màu đỏ. Nếu không, hộp pin có thể vô tình rơi ra khỏi dụng cụ, gây thương tích cho bạn hoặc người khác xung quanh.

⚠ THẬN TRỌNG: Không được dùng sức lắp hộp pin. Nếu hộp pin không nhẹ nhàng trượt vào vị trí, có nghĩa là pin vẫn chưa được lắp đúng.

Chỉ báo dung lượng pin còn lại

Chỉ những hộp pin có “B” ở vị trí cuối số thứ tự kiểu máy

► **Hình2:** 1. Các đèn chỉ báo 2. Nút Check (kiểm tra)

Ấn nút check (kiểm tra) trên hộp pin để chỉ báo dung lượng pin còn lại. Các đèn chỉ báo bật sáng lên trong vài giây.

Các đèn chỉ báo			Dung lượng còn lại
Bật sáng	Tắt	Nhấp nháy	
■ ■ ■ ■			75% đến 100%
■ ■ ■ □			50% đến 75%
■ ■ □ □			25% đến 50%
■ □ □ □			0% đến 25%
▣ □ □ □			Sạc pin.
■ ■ □ □			Pin có thể đã bị hỏng.
□ □ ■ ■			

LƯU Ý: Tùy thuộc vào các điều kiện sử dụng và nhiệt độ xung quanh, việc chỉ báo có thể khác biệt một chút so với dung lượng thực sự.

Chỉ báo dung lượng pin còn lại

Đặc trưng quốc gia

Khi bạn bật dụng cụ, đèn chỉ báo pin sẽ hiển thị dung lượng pin còn lại.

► **Hình3:** 1. Đèn chỉ báo pin

Dung lượng pin còn lại được trình bày trong bảng sau đây.

Trạng thái đèn chỉ báo pin			Dung lượng pin còn lại
Bật	Tắt	Nhấp nháy	
■ ■ ■ ■			50% - 100%
■ ■ ■ □			20% - 50%
■ ■ □ □			0% - 20%
▣ □ □ □			Sạc pin

Hệ thống bảo vệ dụng cụ / pin

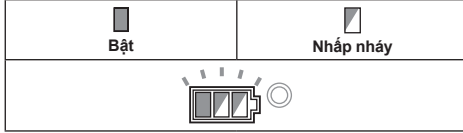
Dụng cụ này được trang bị hệ thống bảo vệ dụng cụ / pin. Hệ thống này sẽ tự động ngắt nguồn điện đến động cơ để kéo dài tuổi thọ dụng cụ và pin. Dụng cụ sẽ tự động dừng vận hành khi dụng cụ hoặc pin ở một trong những trường hợp sau đây. Trong một số trường hợp, các đèn chỉ báo này sẽ sáng lên.

Bảo vệ quá tải

Khi vận hành dụng cụ trong điều kiện làm máy tiêu tốn dòng cao bất thường, dụng cụ sẽ tự động dừng lại mà không có bất cứ dấu hiệu nào. Trong trường hợp này, hãy tắt dụng cụ và ngừng ứng dụng làm cho dụng cụ trở nên quá tải. Sau đó bật dụng cụ lên để khởi động lại.

Bảo vệ quá nhiệt

Khi bị quá nhiệt, dụng cụ sẽ tự động dừng và chỉ báo pin cho thấy trạng thái sau. Trong tình huống này, hãy để dụng cụ nguội trở lại trước khi bật dụng cụ lại.



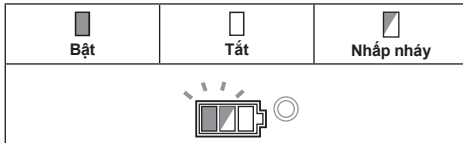
Nếu dụng cụ không khởi động, pin có thể bị quá nhiệt. Trong tình huống này, hãy để pin nguội trở lại trước khi khởi động dụng cụ lại.

Bảo vệ xả điện quá mức

Khi dung lượng pin không đủ, thì dụng cụ sẽ tự động dừng. Trong trường hợp này, hãy tháo pin khỏi dụng cụ và sạc pin lại.

Nhả khóa bảo vệ

Khi hệ thống bảo vệ làm việc liên tục, dụng cụ sẽ bị khóa và đèn chỉ báo pin sẽ cho thấy trạng thái sau. Trong tình huống này, dụng cụ sẽ không khởi động ngay cả khi bật và tắt dụng cụ. Để nhả khóa bảo vệ, hãy tháo pin ra, đặt pin vào cục sạc pin và đợi cho đến khi sạc đầy.



Khóa trực

Nhấn khóa trực để ngăn xoay trụ quay khi lắp hoặc tháo phụ kiện.

► **Hình4:** 1. Khóa trực

CHÚ Ý: Không bao giờ kích hoạt khóa trực khi thực quay đang di chuyển. Dụng cụ có thể bị hư hỏng.

Hoạt động công tắc

⚠ THẬN TRỌNG: Trước khi lắp đặt hộp pin vào dụng cụ, luôn luôn kiểm tra xem cần công tắc có hoạt động bình thường hay không và trả về vị trí “OFF” (TAT) khi nhả ra.

⚠ THẬN TRỌNG: Không được kéo mạnh cần công tắc mà không kéo cần nhả khóa. Điều này có thể gây hỏng công tắc.

Để ngăn ngừa vô tình kéo cần công tắc, dụng cụ được trang bị một cần nhả khóa.

Để khởi động dụng cụ, hãy kéo cần nhả khóa về phía người vận hành và sau đó kéo cần công tắc.

Để dừng dụng cụ, hãy nhả cần công tắc.

► **Hình5:** 1. Cần nhả khóa 2. Cần công tắc

Chức năng thay đổi tốc độ tự động

► **Hình6:** 1. Đèn chỉ báo chế độ

Trạng thái đèn chỉ báo chế độ	Chế độ vận hành
	Chế độ tốc độ cao
	Chế độ mô-men xoắn cao

Dụng cụ này có “chế độ tốc độ cao” và “chế độ mô-men xoắn cao”. Dụng cụ sẽ tự động thay đổi chế độ vận hành tùy thuộc vào tải trọng công việc. Khi đèn chỉ báo chế độ bật sáng lên trong lúc đang vận hành, thì dụng cụ đang ở chế độ xoắn cao.

Chức năng phòng ngừa vô tình khởi động lại

Ngay cả khi đang lắp đặt hộp pin trong lúc kéo cần công tắc, dụng cụ vẫn sẽ không khởi động.

Để khởi động dụng cụ, trước tiên phải nhả cần công tắc. Sau đó kéo cần nhả khóa, và kéo cần công tắc.

Chức năng điều khiển mô-men xoắn điện tử

Dụng cụ này phát hiện kiểu điện tử các tình huống mà bánh mài hoặc phụ kiện có thể có nguy cơ bị kẹt chặt lại. Trong tình huống này, dụng cụ sẽ tự động tắt để phòng ngừa trục chính xoay thêm (nó không ngăn cản lực đẩy ngược).

Để khởi động lại dụng cụ, trước tiên hãy tắt dụng cụ, loại bỏ nguyên nhân gây ra giảm tốc độ xoay đột ngột, và sau đó bật dụng cụ.

Tính năng khởi động mềm

Tính năng khởi động mềm làm giảm phản lực khi khởi động.

Phanh điện từ

Phanh điện từ sẽ được kích hoạt sau khi tắt dụng cụ. Phanh không hoạt động khi tắt nguồn cấp điện, chẳng hạn như vô tình tháo pin, với công tắc vẫn còn mở.

LẮP RÁP

⚠ THẬN TRỌNG: Luôn đảm bảo rằng đã tắt dụng cụ và tháo hộp pin ra trước khi thực hiện việc điều chỉnh hoặc kiểm tra chức năng trên dụng cụ.

Lắp đặt tay cầm hồng (tay cầm)

⚠ THẬN TRỌNG: Luôn đảm bảo rằng tay cầm hồng được gắn chặt trước khi vận hành.

Vặn tay cầm hồng thật chặt trên vị trí của dụng cụ như thể hiện trên hình vẽ.

► **Hình7**

Lắp hoặc tháo phần bảo vệ đĩa (Dành cho đĩa mài trung tâm bị nén xuống, đĩa nhám xếp, đĩa lật, chổi sắt dạng đĩa mài / đĩa cắt nhám, đĩa mài kim cương)

⚠ CẢNH BÁO: Khi sử dụng đĩa mài trung tâm bị nén xuống, đĩa nhám xếp, đĩa lật hoặc chổi sắt dạng đĩa mài, phần bảo vệ đĩa phải được trang bị trên dụng cụ sao cho bên đóng lại của phần bảo vệ luôn chỉ về phía người vận hành.

⚠ CẢNH BÁO: Khi sử dụng đĩa cắt nhám/đĩa mài kim cương, hãy chắc chắn là bạn chỉ sử dụng phần bảo vệ đĩa chuyên dụng được thiết kế để sử dụng với đĩa cắt.

(Ở một vài quốc gia Châu Âu, khi sử dụng đĩa mài kim cương, phần bảo vệ đĩa thông thường có thể được sử dụng. Theo các quy định ở đất nước của bạn.)

Đối với dụng cụ phần bảo vệ đĩa loại vít hãm

Gắn phần bảo vệ đĩa với phần nhô ra trên đai của phần bảo vệ đĩa đã căn chỉnh các rãnh khóa trên hộp ổ đệm. Sau đó quay phần bảo vệ đĩa sang góc mà có thể bảo vệ người vận hành tùy theo công việc. Đảm bảo đã vặn chặt bu-lông sáu cạnh.

Để tháo phần bảo vệ đĩa, hãy làm ngược lại quy trình lắp vào.

► **Hình8:** 1. Phần bảo vệ đĩa 2. Hộp ổ đệm 3. Vít

Đối với dụng cụ phần bảo vệ đĩa loại cần kẹp

Nới lỏng vít, và sau đó kéo nó ra theo hướng mũi tên. Gắn phần bảo vệ đĩa với phần nhô ra trên đai của phần bảo vệ đĩa đã căn chỉnh các rãnh khóa trên hộp ổ đệm. Sau đó quay phần bảo vệ đĩa sang góc mà có thể bảo vệ người vận hành tùy theo công việc.

► **Hình9:** 1. Phần bảo vệ đĩa 2. Hộp ổ đệm 3. Vít 4. Cần kẹp

Kéo cần theo hướng mũi tên. Sau đó vặn chặt phần bảo vệ đĩa cùng với việc xiết vít. Đảm bảo đã vặn chặt bu-lông sáu cạnh. Góc cài đặt của phần bảo vệ đĩa có thể được điều chỉnh với cần.

► **Hình10:** 1. Vít 2. Cần kẹp

Để tháo phần bảo vệ đĩa, hãy làm ngược lại quy trình lắp vào.

Lắp hoặc tháo đĩa mài trung tâm bị nén xuống hoặc đĩa nhám xếp

Phụ kiện tùy chọn

⚠ CẢNH BÁO: Khi sử dụng đĩa mài trung tâm bị nén xuống hoặc đĩa nhám xếp, phần bảo vệ đĩa phải được trang bị trên dụng cụ sao cho bên đóng lại của phần bảo vệ luôn chỉ về phía người vận hành.

⚠ THẬN TRỌNG: Đảm bảo rằng phần gắn của vành trong vừa khít với đường kính trong của đĩa mài trung tâm bị nén xuống/đĩa nhám xếp. Việc gắn vành trong sai mặt có thể gây ra rung động nguy hiểm.

Gắn vành trong lên trụ quay.

Đảm bảo đã gắn bộ phận rãnh cửa của vành trong lên bộ phận thẳng ở đáy trụ quay.

Gắn khít đĩa mài trung tâm bị nén xuống/đĩa nhám xếp trên vành trong và vặn đai ốc khóa lên trụ quay.

► **Hình11:** 1. Đai ốc khóa 2. Đĩa mài trung tâm bị nén xuống 3. Vành trong 4. Phần gắn

Để vặn chặt đai ốc khóa, hãy nhấn khóa trực sao cho trục quay không thể xoay, sau đó sử dụng cờ lê đai ốc khóa và vặn chặt lại theo chiều kim đồng hồ.

► **Hình12:** 1. Cờ-lê khóa đai ốc 2. Khóa trục

Để tháo đĩa mài, hãy làm ngược lại quy trình lắp vào.

Lắp hoặc tháo đĩa lật

Phụ kiện tùy chọn

⚠ CẢNH BÁO: Luôn sử dụng phần bảo vệ được cung cấp khi đĩa lật đang trên dụng cụ. Đĩa mài có thể vỡ vụn trong khi sử dụng và phần bảo vệ giúp làm giảm nguy cơ thương tích cá nhân.

► **Hình13:** 1. Đai ốc khóa 2. Đĩa lật 3. Tấm dự phòng 4. Vành trong

Làm theo hướng dẫn dành cho đĩa mài trung tâm bị nén xuống, ngoài ra cũng nên sử dụng tấm dự phòng lên trên đĩa mài. Xem thư tự lắp ráp trên trang phụ kiện trong hướng dẫn sử dụng máy.

Gắn hoặc tháo đĩa nhám

Phụ kiện tùy chọn

LƯU Ý: Sử dụng các phụ kiện máy chà nhám được quy định trong sách hướng dẫn này. Các mục này phải được mua riêng.

Đối với kiểu máy 100 mm

► **Hình14:** 1. Đai ốc khóa chà nhám 2. Đĩa nhám 3. Tấm cao su 4. Vành trong

1. Gắn vành trong lên trụ quay.

2. Gắn tấm cao su lên trụ quay.

3. Gắn khít đĩa trên tấm cao su và vặn đai ốc khóa chà nhám lên trụ quay.

4. Giữ trục quay bằng khóa trục, và vặn chặt đai ốc khóa chà nhám theo chiều kim đồng hồ bằng cờ lê đai ốc khóa.

Để tháo đĩa nhám, hãy làm ngược lại quy trình lắp vào.

Đối với kiểu máy 115 mm /125 mm

► **Hình15:** 1. Đai ốc khóa chà nhám 2. Đĩa nhám
3. Tấm cao su

1. Gắn tấm cao su lên trụ quay.
2. Gắn khít đĩa trên tấm cao su và vặn đai ốc khóa chà nhám lên trụ quay.
3. Giữ trục quay bằng khóa trục, và vặn chặt đai ốc khóa chà nhám theo chiều kim đồng hồ bằng cờ lê đai ốc khóa.

Để tháo đĩa nhám, hãy làm ngược lại quy trình lắp vào.

VẬN HÀNH

⚠ CẢNH BÁO: Không cần thiết phải dùng lực lên dụng cụ. Trọng lượng của dụng cụ sẽ gây ra một áp lực thích hợp. Dùng lực và dùng lực quá nhiều có thể gây vỡ đĩa mài rất nguy hiểm.

⚠ CẢNH BÁO: LUÔN thay đĩa mài nếu dụng cụ bị rơi ra trong khi mài.

⚠ CẢNH BÁO: KHÔNG BAO GIỜ đập hoặc dụng vào đĩa mài hoặc đĩa đang làm việc.

⚠ CẢNH BÁO: Tránh dòn ép hoặc vướng vào đĩa mài, đặc biệt là khi làm việc với các góc, cạnh nhọn, v.v... Điều này có thể gây mất kiểm soát và tạo lực đẩy ngược.

⚠ CẢNH BÁO: KHÔNG BAO GIỜ sử dụng dụng cụ có lưỡi cắt gỗ và các loại lưỡi cưa khác. Các loại lưỡi như vậy khi được sử dụng trên máy mài sẽ thường xuyên gây giật và làm mất kiểm soát dẫn đến thương tích cá nhân.

⚠ THẬN TRỌNG: Không bao giờ bật dụng cụ lên khi nó đang tiếp xúc với phôi gia công, điều này có thể gây thương tích cho người vận hành.

⚠ THẬN TRỌNG: Luôn mang kính bảo hộ hoặc mặt nạ bảo vệ mặt trong khi vận hành.

⚠ THẬN TRỌNG: Sau khi vận hành, luôn tắt dụng cụ và chờ đến khi đĩa mài dừng hoàn toàn trước khi đặt dụng cụ xuống.

⚠ THẬN TRỌNG: LUÔN cầm chắc dụng cụ bằng một tay đặt lên vỏ dụng cụ và tay kia đặt lên tay nắm hông.

Thao tác mài và chà nhám

► **Hình16**

Bật dụng cụ lên và sau đó sử dụng đĩa mài hoặc đĩa cho phôi gia công.
Nói chung, hãy giữ cạnh đĩa mài hoặc đĩa ở một góc khoảng 15° so với bề mặt phôi gia công.
Trong giai đoạn đưa đĩa mài mới vào, không làm việc khi máy mài đang hướng về trước, nếu không nó có thể cắt vào phôi gia công. Một khi các cạnh của đĩa mài đã được bo tròn bằng cách sử dụng, các đĩa mài có thể được làm việc ở cả hai hướng về trước và về sau.

Vận hành với đĩa cắt nhám/đĩa mài kim cương

Phụ kiện tùy chọn

⚠ CẢNH BÁO: Khi sử dụng đĩa cắt nhám/đĩa mài kim cương, hãy chắc chắn là bạn chỉ sử dụng phần bảo vệ đĩa chuyên dụng được thiết kế để sử dụng với đĩa cắt.

(Ở một vài quốc gia Châu Âu, khi sử dụng đĩa mài kim cương, phần bảo vệ thông thường có thể được sử dụng. Theo các quy định ở đất nước của bạn.)

⚠ CẢNH BÁO: KHÔNG BAO GIỜ sử dụng đĩa cắt để mài mặt bên.

⚠ CẢNH BÁO: Không làm “kẹt” đĩa mài hoặc dùng lực quá nhiều. Không có thực hiện chiều sâu cắt quá mức. Dùng lực quá nhiều lên đĩa mài sẽ làm tăng tải trọng và dễ bị xoắn hoặc bó kẹt đĩa mài khi cắt và có khả năng đẩy ngược, vỡ đĩa mài và động cơ quá nhiệt có thể xảy ra.

⚠ CẢNH BÁO: Không khởi động thao tác cắt trong phôi gia công. Để đĩa mài đạt đến tốc độ tối đa và cần thận nhập lại đường cắt di chuyển dụng cụ về phía trước trên bề mặt phôi gia công. Đĩa mài có thể bị bó kẹt, bật lên hoặc bật ngược lại nếu dụng cụ máy được khởi động trong phôi gia công.

⚠ CẢNH BÁO: Trong lúc cắt, không bao giờ thay đổi góc đĩa mài. Đặt áp lực hông trên đĩa cắt (cứng như khi mài) sẽ làm cho đĩa cắt nứt và vỡ, gây thương tích cá nhân nghiêm trọng.

⚠ CẢNH BÁO: Đĩa mài kim cương nên được đặt vuông góc với vật liệu được cắt.

► **Hình17:** 1. Đai ốc khóa 2. Đĩa cắt nhám / Đĩa mài kim cương 3. Vành trong 4. Phần bảo vệ đĩa dành cho đĩa cắt nhám / đĩa mài kim cương

Đối với việc lắp đặt, tuân theo các hướng dẫn dành cho đĩa mài trung tâm bị nén xuống.

Hướng gắn đai ốc khóa và vành trong sẽ khác nhau tùy theo loại đĩa mài và độ dày.

Tham khảo số liệu sau.

Đối với kiểu máy 100 mm

Khi lắp đĩa cắt nhám:

► **Hình18:** 1. Đai ốc khóa 2. Đĩa cắt nhám (Mỏng hơn 4 mm) 3. Đĩa cắt nhám (4 mm hoặc dày hơn) 4. Vành trong

Khi lắp đĩa mài kim cương:

► **Hình19:** 1. Đai ốc khóa 2. Đĩa mài kim cương (Mỏng hơn 4 mm) 3. Đĩa mài kim cương (4 mm hoặc dày hơn) 4. Vành trong

Đối với kiểu máy 115 mm /125 mm

Khi lắp đĩa cắt nhám:

► **Hình20:** 1. Đai ốc khóa 2. Đĩa cắt nhám (Mỏng hơn 4 mm) 3. Đĩa cắt nhám (4 mm hoặc dày hơn) 4. Vành trong

Khi lắp đĩa mài kim cương:

- **Hình21:** 1. Đai ốc khóa 2. Đĩa mài kim cương (Mỏng hơn 4 mm) 3. Đĩa mài kim cương (4 mm hoặc dày hơn) 4. Vành trong

Vận hành với chổi sắt dạng côn

Phụ kiện tùy chọn

⚠ THẬN TRỌNG: Kiểm tra hoạt động của chổi bằng cách chạy dụng cụ không tải, đảm bảo rằng không có ai ở phía trước hoặc ngang hàng với chổi.

⚠ THẬN TRỌNG: Không sử dụng chổi đã bị hư, hoặc mất cân bằng. Sử dụng chổi hư có thể làm tăng khả năng thương tích do tiếp xúc với sợi kim loại của chổi đã gãy.

- **Hình22:** 1. Chổi sắt dạng côn

Tháo hộp pin ra khỏi dụng cụ và đặt dụng cụ ngược xuống cho phép bạn dễ dàng tiếp cận với trục quay. Tháo bất kỳ phụ tùng nào trên trục quay. Lắp chổi sắt dạng côn lên trục quay và vận chuyển bằng cờ lê được cung cấp.

CHÚ Ý: Tránh dùng lực quá nhiều có thể làm sợi kim loại cong khi sử dụng chổi. Nó có thể dẫn đến sớm bị gãy vỡ.

Vận hành với chổi sắt dạng đĩa mài

Phụ kiện tùy chọn

⚠ THẬN TRỌNG: Kiểm tra hoạt động của chổi sắt dạng đĩa mài bằng cách chạy dụng cụ không tải, đảm bảo rằng không có ai ở phía trước hoặc thẳng hàng với chổi sắt dạng đĩa mài.

⚠ THẬN TRỌNG: Không sử dụng chổi sắt dạng đĩa mài đã bị hư, hoặc mất cân bằng. Sử dụng chổi sắt dạng đĩa mài bị hư có thể làm tăng khả năng thương tích do tiếp xúc với sợi kim loại đã gãy.

⚠ THẬN TRỌNG: LUÔN sử dụng phần bảo vệ với chổi sắt dạng đĩa mài, hãy đảm bảo đường kính của đĩa mài vừa với phần bảo vệ bên trong. Đĩa mài có thể vỡ vụn trong khi sử dụng và phần bảo vệ giúp làm giảm nguy cơ thương tích cá nhân.

- **Hình23:** 1. Chổi sắt dạng đĩa mài

Tháo hộp pin ra khỏi dụng cụ và đặt dụng cụ ngược xuống cho phép bạn dễ dàng tiếp cận với trục quay. Tháo bất kỳ phụ tùng nào trên trục quay. Lắp chổi sắt dạng đĩa mài lên trục quay và vận chuyển bằng cờ lê.

CHÚ Ý: Tránh dùng lực quá nhiều có thể làm sợi kim loại cong khi sử dụng chổi sắt dạng đĩa mài. Nó có thể dẫn đến sớm bị gãy vỡ.

BẢO TRÌ

⚠ THẬN TRỌNG: Hãy luôn chắc chắn rằng dụng cụ đã được tắt và hộp pin đã được tháo ra trước khi cố gắng thực hiện việc kiểm tra hay bảo dưỡng.

CHÚ Ý: Không được phép dùng xăng, ét xăng, dung môi, cồn hoặc hóa chất tương tự. Có thể xảy ra hiện tượng mất màu, biến dạng hoặc nứt vỡ.

Vệ sinh lỗ thông khí

Dụng cụ và các khe thông khí của nó cần phải được giữ sạch sẽ. Thường xuyên vệ sinh các khe thông khí của dụng cụ hoặc bất cứ khi nào các khe này bắt đầu bị kẹt vướng.

- **Hình24:** 1. Lỗ thông khí thải 2. Lỗ hút khí

Tháo tấm chắn bụi ra khỏi lỗ hút khí và vệ sinh để không khí lưu thông thông suốt.

- **Hình25:** 1. Tấm chắn bụi

LƯU Ý: Vệ sinh tấm chắn bụi khi nó bị kẹt bởi bụi hoặc ngoại vật. Tiếp tục vận hành với tấm chắn bụi bị kẹt có thể làm hỏng dụng cụ.

PHỤ KIỆN TÙY CHỌN

⚠ THẬN TRỌNG: Các phụ kiện hoặc phụ tùng gắn thêm này được khuyến cáo sử dụng với dụng cụ Makita của bạn theo như quy định trong hướng dẫn này. Việc sử dụng bất cứ phụ kiện hoặc phụ tùng gắn thêm nào khác đều có thể gây ra rủi ro thương tích cho người. Chỉ sử dụng phụ kiện hoặc phụ tùng gắn thêm cho mục đích đã quy định sẵn của chúng.

Nếu bạn cần bất kỳ sự hỗ trợ nào để biết thêm chi tiết về các phụ tùng này, hãy hỏi Trung tâm Dịch vụ của Makita tại địa phương của bạn.

- Pin và bộ sạc chính hãng của Makita

► **Hình 26**

-	Kiểu máy 100 mm	Kiểu máy 115 mm	Kiểu máy 125 mm
1	Tay cầm 36		
2	Phần bảo vệ đĩa (dành cho đĩa mài)		
3	Vành trong		
4	Đĩa mài trung tâm bị nén xuống / Đĩa nhám xếp		
5	Đai ốc khóa		
6	Tấm dự phòng		
7	Đĩa lật		
8	Vành trong và tấm cao su 76	Tấm cao su 100	Tấm cao su 115
9	Đĩa nhám		
10	Đai ốc khóa chà nhám		
11	Chổi sắt dạng đĩa mài		
12	Chổi sắt dạng côn		
13	Phần bảo vệ đĩa (dành cho đĩa cắt)*1		
14	Đĩa cắt nhám / Đĩa mài kim cương		
-	Cờ-lê khóa đai ốc		

LƯU Ý: *1 Ở một vài quốc gia Châu Âu, khi sử dụng đĩa mài kim cương, phần bảo vệ thông thường có thể được sử dụng thay cho phần bảo vệ đặc biệt phủ lên cả hai phía của đĩa mài. Theo các quy định ở đất nước của bạn.

LƯU Ý: Một số mục trong danh sách có thể được bao gồm trong gói dụng cụ làm phụ kiện tiêu chuẩn. Các mục này ở mỗi quốc gia có thể khác nhau.






ข้อมูลจำเพาะ

รุ่น:	DGA408	DGA458	DGA508
เส้นผ่านศูนย์กลางลูกล้อ	100 mm (4")	115 mm (4-1/2")	125mm (5")
ความหนาล้อสูงสุด	6.4 mm		
แกนเสียบ	M10	M14 หรือ 5/8" (กำหนดเฉพาะประเทศ)	
อัตราความเร็ว (n)	8,500 min ⁻¹		
ความยาวโดยรวม	พร้อมด้วยตลับแบตเตอรี่ BL1815N, BL1820, BL1820B	348 mm	
	พร้อมด้วยตลับแบตเตอรี่ BL1830, BL1830B, BL1840, BL1840B, BL1850, BL1850B, BL1860B	362 mm	
น้ำหนักสุทธิ	พร้อมด้วยตลับแบตเตอรี่ BL1815N, BL1820, BL1820B	2.2 kg	2.4 kg
	พร้อมด้วยตลับแบตเตอรี่ BL1830, BL1830B, BL1840, BL1840B, BL1850, BL1850B, BL1860B	2.5 kg	2.6 kg
แรงดันไฟฟ้าสูงสุด	D.C. 18 V		

- เนื่องจากการค้นคว้าวิจัยและพัฒนาอย่างต่อเนื่อง ข้อมูลจำเพาะในเอกสารฉบับนี้อาจเปลี่ยนแปลงได้โดยไม่ต้องแจ้งให้ทราบล่วงหน้า
- ข้อมูลจำเพาะและตลับแบตเตอรี่อาจแตกต่างกันไปในแต่ละประเทศ
- น้ำหนักรวมตลับแบตเตอรี่ตามข้อบังคับของ EPTA 01/2003

สัญลักษณ์

ต่อไปนี้เป็นสัญลักษณ์ที่ใช้สำหรับอุปกรณ์ โปรดศึกษาความหมายของสัญลักษณ์ให้เข้าใจก่อนการใช้งาน

 	อ่านคู่มือการใช้งาน
  	สวมแว่นตานิรภัย



สำหรับประเทศในสหภาพยุโรปเท่านั้น ห้ามทิ้งอุปกรณ์ไฟฟ้าหรือชุดแบตเตอรี่รวมกับขยะครัวเรือนทั่วไป! เพื่อให้เป็นไปตามกฎระเบียบของยุโรปเกี่ยวกับขยะจำพวกอุปกรณ์ไฟฟ้าและอิเล็กทรอนิกส์ และขยะจำพวกแบตเตอรี่และหม้อสะสมไฟฟ้า และการปฏิบัติตามกฎหมายในประเทศ ต้องเก็บอุปกรณ์ไฟฟ้าและแบตเตอรี่และชุดแบตเตอรี่ที่หมดอายุการใช้งานแล้วแยกต่างหาก และส่งกลับไปยังศูนย์รีไซเคิลที่เป็นมิตรต่อสิ่งแวดล้อม

จุดประสงค์การใช้งาน

เครื่องมือนี้ใช้สำหรับขัด ขัดด้วยกระดาษทราย และตัดวัสดุที่เป็นเหล็กและหินโดยไม่ใช้น้ำ

คำเตือนด้านความปลอดภัยของเครื่องมือไฟฟ้าทั่วไป

คำเตือน: อ่านคำเตือนด้านความปลอดภัยและคำแนะนำทั้งหมด การไม่ปฏิบัติตามคำเตือนและคำแนะนำดังกล่าวอาจส่งผลให้ไฟฟ้าช็อต ไฟไหม้ และ/หรือได้รับบาดเจ็บร้ายแรง

เก็บรักษาคำเตือนและคำแนะนำทั้งหมดไว้เป็นข้อมูลอ้างอิงในอนาคต

คำว่า “เครื่องมือไฟฟ้า” ในคำเตือนนี้หมายถึงเครื่องมือนำไฟฟ้า (มีสาย) ที่ทำงานโดยใช้กระแสไฟฟ้าหรือเครื่องมือไฟฟ้า (ไร้สาย) ที่ทำงานโดยใช้แบตเตอรี่

ความปลอดภัยของพื้นที่ทำงาน

1. ดูแลพื้นที่ทำงานให้มีความสะอาดและมีแสงไฟสว่าง พื้นที่รกกระเจะระกะหรือมืดที่บอาจนำไปสู่การเกิดอุบัติเหตุได้
2. อย่าใช้งานเครื่องมือไฟฟ้าในสภาพที่อาจเกิดการระเบิด เช่น ในสถานที่ที่มีของเหลว ก๊าซ หรือฝุ่นผงที่มีคุณสมบัติไวไฟ เครื่องมือไฟฟ้าอาจสร้างประกายไฟและจุดชนวนฝุ่นผงหรือก๊าซดังกล่าว
3. ดูแลไม่ให้มีเด็ก หรือบุคคลอื่นอยู่ในบริเวณที่กำลังใช้เครื่องมือไฟฟ้า การมีสิ่งรบกวนสมาธิอาจทำให้คุณสูญเสียการควบคุม

ความปลอดภัยด้านไฟฟ้า

1. ปลั๊กของเครื่องมือไฟฟ้าต้องพอดีกับเต้ารับ อย่าดัดแปลงปลั๊กไม่ว่ากรณีใดๆ อย่าใช้ปลั๊กอะแดปเตอร์กับเครื่องมือไฟฟ้าที่ต่อสายดิน ปลั๊กที่ไม่ถูกต้องดัดแปลงและเต้ารับที่เข้ากันพอดีจะช่วยลดความเสี่ยงของการเกิดไฟฟ้าช็อต
2. ระวังอย่าให้ร่างกายสัมผัสกับพื้นผิวที่ต่อสายดิน เช่น ท่อ เครื่องนำความร้อน เต้าหุงต้ม และตู้เย็น มีความเสี่ยงที่จะเกิดไฟฟ้าช็อตสูงขึ้น หากร่างกายของคุณสัมผัสกับพื้น
3. อย่าให้เครื่องมือไฟฟ้าถูกน้ำหรืออยู่ในสภาพเปียกชื้น น้ำที่ไหลเข้าไปในเครื่องมือไฟฟ้าจะเพิ่มความเสี่ยงของการเกิดไฟฟ้าช็อต
4. อย่าใช้สายไฟอย่างไม่เหมาะสม อย่าใช้สายไฟเพื่อยก ดึง หรือถอดปลั๊กเครื่องมือไฟฟ้า เก็บสายไฟให้ห่างจากความร้อน น้ำมัน ของมีคม หรือชิ้นส่วนที่

เคลื่อนที่ สายที่ชำรุดหรือพันกันจะเพิ่มความเสี่ยงของการเกิดไฟฟ้าช็อต

5. ขณะที่ใช้งานเครื่องมือไฟฟ้านอกอาคาร ควรใช้สายต่อพ่วงที่เหมาะสมกับงานภายนอกอาคาร การใช้สายที่เหมาะสมกับงานภายนอกอาคารจะลดความเสี่ยงของการเกิดไฟฟ้าช็อต
6. หากต้องใช้งานเครื่องมือไฟฟ้าในสถานที่เปียกชื้น ให้ใช้อุปกรณ์ป้องกันกระแสไฟรั่ว (RCD) การใช้ RCD จะลดความเสี่ยงของการเกิดไฟฟ้าช็อต

ความปลอดภัยส่วนบุคคล

1. ให้ระมัดระวังและมีสติอยู่เสมอขณะใช้งานเครื่องมือไฟฟ้า อย่าใช้งานเครื่องมือไฟฟ้าในขณะที่คุณกำลังเหนื่อย หรือในสภาพที่มึนเมาจากยาเสพติด เครื่องดื่ม แอลกอฮอล์ หรือการเข้ายา ช่วงเวลาที่ขาดความระมัดระวังเมื่อกำลังใช้งานเครื่องมือไฟฟ้าอาจทำให้ได้รับบาดเจ็บร้ายแรง
2. ใช้อุปกรณ์ป้องกันส่วนบุคคล สวมแว่นตาป้องกันเสมอ อุปกรณ์ป้องกัน เช่น หมวกกันน็อก ฟัน รองเท้านิรภัย กันลื่น หมวกนิรภัย หรือเครื่องป้องกันการได้ยินที่ใช้ในสภาพที่เหมาะสมจะช่วยลดการบาดเจ็บ
3. ป้องกันไม่ให้เกิดการเปิดใช้งานโดยไม่ตั้งใจ ตรวจสอบให้แน่ใจว่าสวิตช์ปิดอยู่ก่อนที่จะเชื่อมต่อกับแหล่งจ่ายไฟ และ/หรือชุดแบตเตอรี่ รวมทั้งตรวจสอบก่อนการยกหรือเคลื่อนย้ายเครื่องมือ การถอดนิวมีอบริเวณสวิตช์เพื่อถือเครื่องมือไฟฟ้า หรือการชาร์จไฟเครื่องมือไฟฟ้าในขณะที่เปิดสวิตช์อยู่อาจนำไปสู่การเกิดอุบัติเหตุ
4. นำกฎแบริบตั้งหรือประแจออกก่อนที่จะเปิดเครื่องมือไฟฟ้า ประแจหรือกฎแบริบที่เสียบค้างอยู่ในชิ้นส่วนที่หมุนได้ของเครื่องมือไฟฟ้าอาจทำให้ได้รับบาดเจ็บ
5. อย่าทำงานในระยะที่สูดเอื้อม จัดท่าการยืนและการทรงตัวให้เหมาะสมตลอดเวลา เพราะจะทำให้ควบคุมเครื่องมือไฟฟ้าได้ดีขึ้นในสถานการณ์ที่ไม่คาดคิด
6. แต่งกายให้เหมาะสม อย่าสวมเครื่องแต่งกายที่หลวมเกินไป หรือสวมเครื่องประดับ ดูแลไม่ให้เส้นผม เลื่อนผ้า และถุงมืออยู่ใกล้ชิ้นส่วนที่เคลื่อนที่ เสื้อผ้า ร่มร่าม เครื่องประดับ หรือผมที่มีความยาวอาจเข้าไปติดในชิ้นส่วนที่เคลื่อนที่
7. หากมีการจัดอุปกรณ์สำหรับดูดและจัดเก็บฝุ่นไว้ในสถานที่ ให้ตรวจสอบว่าได้เชื่อมต่อและใช้งานอุปกรณ์นั้นอย่างเหมาะสม การใช้เครื่องดูดและจัดเก็บฝุ่นจะช่วยลดอันตรายที่เกิดจากฝุ่นผงได้

การใช้และดูแลเครื่องมือไฟฟ้า

1. อย่าฝืนใช้เครื่องมือไฟฟ้า ใช้เครื่องมือไฟฟ้าที่เหมาะสม

- สมกับการใช้งานของคุณ เครื่องมือไฟฟ้าที่เหมาะสม จะทำให้ได้งานที่มีประสิทธิภาพและปลอดภัยกว่าตามขีดความสามารถของเครื่องที่ได้รับการออกแบบมา
- อย่าใช้เครื่องมือไฟฟ้า หากสวิตช์ไม่สามารถเปิดปิดได้ เครื่องมือไฟฟ้าที่ควบคุมด้วยสวิตช์ไม่ได้เป็นอันตรายและต้องได้รับการซ่อมแซม
 - ถอดปลั๊กจากแหล่งจ่ายไฟ และ/หรือชุดแบตเตอรี่ออกจากเครื่องมือไฟฟ้าก่อนทำการปรับตั้ง เปลี่ยนอุปกรณ์เสริม หรือจัดเก็บเครื่องมือไฟฟ้า วิธีการป้องกันด้านความปลอดภัยดังกล่าวจะช่วยลดความเสี่ยงของการเปิดใช้งานเครื่องมือไฟฟ้าอย่างไม่ตั้งใจ
 - จัดเก็บเครื่องมือไฟฟ้าที่ไม่ได้ใช้งานให้ห่างจากมือเด็ก และอย่าอนุญาตให้บุคคลที่ไม่คุ้นเคยกับเครื่องมือไฟฟ้าหรือคำแนะนำเหล่านี้ใช้งานเครื่องมือไฟฟ้า เครื่องมือไฟฟ้าจะเป็นอันตรายเมื่ออยู่ในมือของผู้ที่ไม่ได้รับการฝึกอบรม
 - การดูแลรักษาเครื่องมือไฟฟ้า ตรวจสอบการประกอบที่ไม่ถูกต้องหรือการเชื่อมต่อของชิ้นส่วนที่เคลื่อนที่ การแตกหักของชิ้นส่วน หรือสภาพอื่น ๆ ที่อาจส่งผลกระทบต่อการทำงานของเครื่องมือไฟฟ้า หากมีความเสียหาย ให้นำเครื่องมือไฟฟ้าไปซ่อมแซมก่อนการใช้งาน อุบัติเหตุจำนวนมากเกิดจากการดูแลรักษาเครื่องมือไฟฟ้าอย่างไม่ถูกต้อง
 - ทำความเข้าใจระดับความเสี่ยงและปฏิบัติตามคำแนะนำของคู่มือการตัดที่มีการดูแลอย่างถูกต้องและมีขอบการตัดคมมักจะมีความอันตรายที่น้อยและควบคุมได้ง่ายกว่า
 - ใช้เครื่องมือไฟฟ้า อุปกรณ์เสริม และวัสดุสิ้นเปลือง ฯลฯ ตามคำแนะนำดังกล่าว พิจารณาสภาพการทำงานและงานที่จะลงมือทำ การใช้เครื่องมือไฟฟ้าเพื่อทำงานอื่นนอกเหนือจากที่กำหนดไว้อาจทำให้เกิดอันตราย

การใช้งานและดูแลเครื่องมือที่ใช้แบตเตอรี่

- ชาร์จไฟใหม่ด้วยเครื่องชาร์จที่ระบุโดยผู้ผลิตเท่านั้น เครื่องชาร์จที่เหมาะสมสำหรับชุดแบตเตอรี่ประเภทหนึ่ง อาจเสี่ยงที่จะเกิดไฟไหม้หากนำไปใช้กับชุดแบตเตอรี่อีกประเภทหนึ่ง
- ใช้เครื่องมือไฟฟ้ากับชุดแบตเตอรี่ที่กำหนดมาโดยเฉพาะเท่านั้น การใช้ชุดแบตเตอรี่ประเภทอื่นอาจทำให้เสี่ยงที่จะได้รับบาดเจ็บและเกิดไฟไหม้
- เมื่อไม่ใช้งานชุดแบตเตอรี่ ให้เก็บห่างจากวัตถุที่เป็นโลหะอื่น ๆ เช่น คลิปหนีบกระดาษ เหรียญ กุญแจ กรรไกรตัดเล็บ สกรู หรือวัตถุที่เป็นโลหะขนาดเล็ก อื่นๆ ที่สามารถเชื่อมต่อขั้วหนึ่งกับอีกขั้วหนึ่งได้ การลัดวงจรขั้วแบตเตอรี่อาจทำให้อุ่นจัดหรือเกิดไฟไหม้

- ในกรณีที่ใช้งานไม่ถูกต้อง อาจมีของเหลวไหลออกจากแบตเตอรี่ ให้หลีกเลี่ยงการสัมผัส หากสัมผัส โดนของเหลวโดยบังเอิญ ให้ล้างออกด้วยน้ำ หากของเหลวกระเด็นเข้าตา ให้รีบไปพบแพทย์ ของเหลวที่ไหลออกจากแบตเตอรี่อาจทำให้ผิวหนังระคายเคืองหรือไหม้

การซ่อมบำรุง

- นำเครื่องมือไฟฟ้าเข้ารับบริการจากช่างซ่อมที่ผ่านการรับรองโดยช่างซ่อมแบบเดียวกันเท่านั้น เพราะจะทำให้การใช้เครื่องมือไฟฟ้ามีความปลอดภัย
- ปฏิบัติตามคำแนะนำในการหล่อลื่นและการเปลี่ยนอุปกรณ์เสริม
- ดูเมื่อจำเป็นให้แห้ง สะอาด และไม่มีน้ำมันและจารบีเปื้อน

คำเตือนด้านความปลอดภัยของเครื่องขัดไร้สาย

คำเตือนด้านความปลอดภัยสำหรับการทำงานขัด ขัดด้วยกระดาษทราย การใช้แปรงลวดขัด หรือการตัดแบบขัด

- เครื่องมือไฟฟ้าที่มีจุดประสงค์การใช้งานเพื่อใช้ขัด เครื่องขัด กระดาษทราย แปรงลวด หรือเครื่องมือตัดโปรต้อ่านคำเตือนด้านความปลอดภัย คำแนะนำ ภาพประกอบ และข้อมูลจำเพาะต่างๆ ที่ให้มากับเครื่องมือไฟฟ้านี้อย่างละเอียด การไม่ปฏิบัติตามคำแนะนำดังกล่าวต่อไปนี้อาจส่งผลให้เกิดไฟฟ้าช็อต ไฟไหม้ และ/หรือได้รับบาดเจ็บอย่างร้ายแรงได้
- ไม่แนะนำให้ใช้เครื่องมือไฟฟ้านี้ในการขัดเงา การใช้งานเครื่องมือไฟฟ้านี้โดยผิดจุดประสงค์การใช้งานอาจจะเป็นสาเหตุของอันตรายและการบาดเจ็บได้
- อย่าใช้อุปกรณ์เสริมที่ไม่ได้ออกแบบและแนะนำโดยผู้ผลิตเครื่องมือนี้ การที่อุปกรณ์เสริมต่างๆ สามารถติดตั้งเข้ากับเครื่องมือไฟฟ้าของคุณได้นั้นไม่ได้เป็นการรับประกันว่าจะสามารถใช้งานร่วมกับอุปกรณ์ดังกล่าวได้อย่างปลอดภัย
- อัตราความเร็วของอุปกรณ์เสริมนี้อย่างน้อยต้องเท่ากับความเร็วสูงสุดที่ระบุไว้ในเครื่องมือไฟฟ้านี้ อุปกรณ์เสริมที่ทำงานด้วยความเร็วสูงกว่าอัตราความเร็วของตนเองอาจจะแตกหักหรือกระเด็นออกมาได้
- เส้นผ่านศูนย์กลางภายนอกและความหนาของอุปกรณ์เสริมของคุณจะต้องอยู่ในอัตราความสามารถของเครื่องมือไฟฟ้าของคุณ อุปกรณ์เสริมที่มีขนาดไม่เหมาะสมจะไม่สามารถควบคุมหรือป้องกันได้อย่างมีประสิทธิภาพ
- รูตึ่ตั้งของอุปกรณ์เสริมต้องมีขนาดพอดีกับแกนเสียบของเครื่องขัด สำหรับอุปกรณ์ที่ใช้การติดตั้งแบบ

- ครีบ ร่องของอุปกรณ์ต้องมีขนาดพอดีกับเส้นผ่านศูนย์กลางของครีบ อุปกรณ์เสริมที่มีขนาดของส่วนติดตั้งไม่พอดีกับส่วนติดตั้งอุปกรณ์ของเครื่องมือไฟฟ้า จะทำให้ไม่สามารถทำงานได้อย่างสมดุล มีอาการสั่นมากเกินไป และอาจทำให้ไม่สามารถควบคุมได้
7. ห้ามใช้อุปกรณ์เสริมที่เสียหาย ก่อนใช้งานแต่ละครั้ง ให้ตรวจสอบอุปกรณ์เสริม เช่น หาเศษชิ้นส่วนและรอยแตกบนล้อขัด หารอยแตก การชำรุด หรือการสึกหรอที่มากเกินไป และหาเส้นแปร่งที่หลวมหรือแตกบนแปรงขัด หากอุปกรณ์เสริมของเครื่องมือไฟฟ้าตกลงพื้น ให้ตรวจสอบความเสียหายและติดตั้งอุปกรณ์เสริมที่ไม่มี ความเสียหาย หลังจากการตรวจสอบและการติดตั้งอุปกรณ์เสริม ให้ตัวคุณเองและผู้อยู่ใกล้เคียงอยู่ห่างจากบริเวณที่อุปกรณ์หมุน และเปิดเครื่องมือไฟฟ้าที่ความเร็วหมุนเปล่าสูงสุดเป็นเวลาหนึ่งนาที โดยปกติแล้ว อุปกรณ์เสริมที่เสียหายจะแตกออกในระหว่างเวลาการทดสอบนี้
 8. สวมอุปกรณ์ป้องกันส่วนบุคคล ขึ้นอยู่กับรูปแบบการใช้งานของคุณ ให้ใช้หน้ากาก หน้ากากนิรภัยหรือแว่นนิรภัย สวมหน้ากากป้องกันฝุ่น ที่ป้องกันเสียง ถุงมือ และผ้ากันเปื้อนที่สามารถป้องกันการกระเด็นของชิ้นงานได้ตามความเหมาะสม อุปกรณ์ป้องกันดวงตาจะต้องสามารถป้องกันฝุ่นหรือสิ่งสกปรกที่กระเด็นจากการทำงานได้ หน้ากากป้องกันฝุ่นหรือที่ช่วยหายใจ จะต้องสามารถกรองอนุภาคที่เกิดจากการทำงานของคุณได้ การฟังเสียงดังมากๆ เป็นเวลานาน อาจทำให้ระบบการได้ยินเสียหายได้
 9. โปรดกันให้ผู้ไม่เกี่ยวข้องอยู่ห่างจากบริเวณที่ปฏิบัติงานในระยยะปลอดภัย ผู้ที่เข้าพื้นที่ปฏิบัติงานจะต้องสวมอุปกรณ์ป้องกันส่วนบุคคล เศษชิ้นงานหรืออุปกรณ์ที่แตกหักอาจจะกระเด็นและก่อให้เกิดอาการบาดเจ็บในสถานที่รอบๆ บริเวณปฏิบัติงานได้
 10. ถือเครื่องมือไฟฟ้าบริเวณมือจับที่เป็นฉนวนเท่านั้น เมื่อทำงานที่เครื่องมือตัดอาจสัมผัสกับสายไฟที่ซ่อนอยู่ การสัมผัสกับสายไฟที่ "มีกระแสไฟฟ้าไหลผ่าน" จะทำให้ส่วนที่เป็นโลหะของเครื่องมือไฟฟ้าที่ไม่มีฉนวนหุ้ม "มีกระแสไฟฟ้าไหลผ่าน" และทำให้ผู้ปฏิบัติงานถูกไฟฟ้าช็อตได้
 11. อย่าวางเครื่องมือไฟฟ้าลงจนกว่าจะหยุดหมุนสนิท อุปกรณ์ที่กำลังหมุนอาจจะกระทบกับพื้นผิวและทำให้เครื่องมือไฟฟ้าหลุดมือคุณได้
 12. อย่าเปิดเครื่องมือไฟฟ้าเมื่อถือไว้ข้างตัวคุณ เนื่องจากการสัมผัสกับอุปกรณ์ที่กำลังหมุนโดยไม่ได้ตั้งใจนั้น อาจพันกับเสื้อผ้าของคุณและดึงอุปกรณ์เข้าสู่ร่างกายของคุณได้

13. โปรดทำความสะอาดระบบอากาศของเครื่องมือไฟฟ้าอย่างสม่ำเสมอ ฟิล์มของมอเตอร์จะดูดฝุ่นเข้าไปในตัวเครื่องและการมีผงโลหะในตัวเครื่องมากเกินไปอาจทำให้เกิดอันตรายจากกระแสไฟฟ้าได้
14. อย่าใช้เครื่องมือไฟฟ้าใกล้ๆ วัสดุที่ติดไฟได้ เนื่องจากประกายไฟอาจทำให้วัสดุดังกล่าวติดไฟ
15. อย่าใช้อุปกรณ์เสริมที่ต้องใช้ของเหลวเพื่อระบายความร้อน การใช้น้ำหรือของเหลวเพื่อระบายความร้อนอื่นๆ อาจทำให้เกิดไฟฟ้าดูดได้

คำเตือนเกี่ยวกับการติดกลับและสิ่งที่เกี่ยวข้อง

การติดกลับคือการตอบสนองโดยฉับพลันเมื่อเกิดการสะดุดหรือติดขัดของลูกล้อ แผ่นหลัง แปร่ง หรืออุปกรณ์เสริมอื่นๆ ที่กำลังหมุน การสะดุดหรือการติดขัดจะทำให้ อุปกรณ์ที่กำลังหมุนบักหัวลงอย่างรวดเร็วซึ่งเป็นสาเหตุให้เครื่องมือไฟฟ้าที่ไม่สามารถควบคุมได้เกิดแรงสะท้อนกลับไปยังทิศทางตรงข้ามกับการหมุน ตัวอย่างเช่น หากลูกล้อขัดที่นั่นสะดุดหรือติดขัดกับชิ้นงานขอบของลูกล้อที่เข้าไปไปยังจุดติดขัดจะเจาะเข้าไปยังพื้นผิวของวัสดุและทำให้ลูกล้อติดตัวขึ้นมา ลูกล้อดังกล่าวอาจจะกระเด็นเข้าหาหรือออกห่างตัวผู้ปฏิบัติงาน ทั้งนี้ขึ้นอยู่กับทิศทางการหมุนของลูกล้อเมื่อเกิดการสะดุด ในกรณีดังกล่าว ลูกล้อขัดอาจจะแตกหักได้ด้วย การติดกลับเป็นผลมาจากการใช้เครื่องมือไฟฟ้าผิดจุดประสงค์ และ/หรือ การใช้ผิดวิธี และสามารถป้องกันได้โดยใช้วิธีการป้องกันดังต่อไปนี้

1. จับตามจับเครื่องมือไฟฟ้าให้แน่นและจัดตำแหน่งร่างกายและแขนให้สามารถต้านทานแรงติดกลับได้ ใช้มือจับเสริมเสมอ ถ้ามี เพื่อให้สามารถควบคุมการติดกลับหรือการสะท้อนของแรงบิดในระหว่างการเริ่มทำงานได้อย่างมีประสิทธิภาพ ผู้ปฏิบัติงานจะสามารถควบคุมแรงสะท้อนของแรงบิดหรือแรงบิดกลับได้หากดำเนินการป้องกันอย่างเหมาะสม
2. อย่าเอามือไว้ใกล้อุปกรณ์หมุน อุปกรณ์ดังกล่าวอาจติดกลับใส่มือคุณได้
3. อย่าอยู่ในบริเวณที่อาจจะโดนเครื่องมือหากมีการติดกลับเกิดขึ้น การติดกลับจะทำให้เครื่องมือสะบัดไปยังทิศทางตรงกันข้ามของการเคลื่อนไหวของลูกล้อเมื่อเกิดการสะดุด
4. ใช้ความระมัดระวังเป็นพิเศษเพื่อปฏิบัติงานกับมุมขอบที่มีความแหลมคม ฯลฯ หลีกเลี่ยงการกระแทกและการติดขัดของอุปกรณ์ มุม ขอบที่มีความแหลมคม หรือการกระแทกนั้นอาจทำให้เกิดการสะดุดของอุปกรณ์หมุนและทำให้เสียการควบคุมหรือการติดกลับได้
5. อย่าติดตั้งใบมีดเลียนแบบโซ่หรือใบเลื่อยแบบซี่ ใบมีด

แบบดังกล่าวมักจะทำให้เกิดการติดกลับและสูญเสียการควบคุม

คำเตือนด้านความปลอดภัยพิเศษสำหรับการทำงานขัดและการตัดแบบขัด

1. ใช้แต่ลูกล้อยชนิดที่เครื่องมือไฟฟ้าของคุณกำหนดและอุปกรณ์ป้องกันที่ออกแบบมาเพื่อลูกล้อยที่ใช้เท่านั้น ลูกล้อยที่ไม่ได้ออกแบบมาเพื่อใช้กับเครื่องมือไฟฟ้า จะไม่ได้รับการปกป้องอย่างมีประสิทธิภาพและเป็นอันตราย
2. พื้นผิวขัดของใบเจียศูนย์จุมจะต้องติดตั้งอยู่ด้านล่างของระบบขอบที่ป้องกัน ล้อที่ติดตั้งอย่างไม่ถูกต้อง ซึ่งยื่นออกมาจากแนวระนาบของขอบที่ป้องกันจะไม่ได้รับการป้องกันที่เพียงพอ
3. ที่ป้องกันจะต้องยึดไว้กับเครื่องมือไฟฟ้าอย่างแน่นหนาและวางไว้ในตำแหน่งที่มีความปลอดภัยสูงสุด เพื่อให้ส่วนล้อหันเข้าหาผู้ปฏิบัติงานน้อยที่สุด ที่ป้องกันจะช่วยในการป้องกันผู้ปฏิบัติงานจากเศษล้อยที่แตก การสัมผัสกับล้อยโดยไม่ตั้งใจ และประกายไฟที่อาจทำให้เกิดไฟไหม้
4. ต้องใช้งานล้อยในลักษณะการวิ่งงานที่แนะนำเท่านั้น ตัวอย่างเช่น อย่าขัดด้วยด้านข้างของลูกล้อยตัด ลูกล้อยตัดแบบขัดใช้เพื่อขัดรอบวง แร่งด้านข้างที่กระทำต่อลูกล้อยเหล่านี้อาจทำให้ลูกล้อยแตกและเอียงได้
5. ใช้แต่แกนลูกล้อยที่ไม่เสียหายและมีขนาดและรูปทรงตรงกับลูกล้อยที่ใช้เท่านั้น แกนล้อยที่ถูกต้องจะรองรับลูกล้อยได้อย่างมีประสิทธิภาพจึงสามารถลดโอกาสในการเสียหายของลูกล้อยได้ แกนสำหรับล้อยตัดอาจแตกต่างกันจากแกนล้อยขัด
6. อย่าใช้ล้อยที่สึกหรือจากเครื่องมือไฟฟ้าที่มีขนาดใหญ่กว่า ล้อยที่ใช้สำหรับเครื่องมือไฟฟ้าที่มีขนาดใหญ่กว่าไม่เหมาะกับเครื่องมือขนาดเล็กที่มีความเร็วสูงกว่า และอาจจะระเบิดได้

คำเตือนด้านความปลอดภัยพิเศษเพิ่มเติมสำหรับการตัดแบบขัด:

1. อย่าทำให้ลูกล้อยตัด “ติด” หรือใช้แรงดันมากเกินไป อย่าพยายามทำความสะอาดในการตัดมากเกินไป การกดดันลูกล้อยมากเกินไปจะเป็นการเพิ่มการไหลและความไวที่ลูกล้อยจะเกิดการบิดหรือการติดขัดระหว่างการตัด และความเป็นไปได้ในการติดกลับหรือลูกล้อยแตก
2. อย่าให้ร่างกายของคุณอยู่ในระดับเดียวกับหรือด้านหลังลูกล้อยที่กำลังหมุน เมื่อลูกล้อยในตำแหน่งการใช้งานเคลื่อนออกจากร่างกายของคุณ การติดกลับอาจผลักดันให้ลูกล้อยที่กำลังหมุนและเครื่องมือไฟฟ้าพุ่ง

ตรงเข้าหาคุณ

3. เมื่อลูกล้อยติดขัดหรือรบกวนการตัดด้วยเหตุใดๆ ก็ตาม ให้ปิดเครื่องมือไฟฟ้าและถือเครื่องมือไฟฟ้าค้างไว้เฉยๆ จนกว่าลูกล้อยจะหยุดสนิท ห้ามพยายามถอดลูกล้อยตัดออกจากรอยตัดขณะที่ลูกล้อยยังเคลื่อนไหว มิฉะนั้นอาจเกิดการติดกลับได้ ตรวจสอบและแก้ไขเพื่อกำจัดสาเหตุที่ทำให้ลูกล้อยติดขัด
4. อย่าเริ่มการตัดชิ้นใหม่โดยที่เครื่องมือค้อยอยู่ในชิ้นงาน ให้ลูกล้อยช้าความเร็วสูงสุดแล้วจึงสอดเข้าไปในรอยตัดอีกครั้งอย่างระมัดระวัง ลูกล้อยอาจติดขัด เติ่งหรือติดกลับได้หากเริ่มใช้เครื่องมือไฟฟ้าระหว่างที่ยังค้อยอยู่ในชิ้นงาน
5. รองรับแผ่นหรือชิ้นงานขนาดใหญ่ต่างๆ เพื่อลดความเสี่ยงในการที่ลูกล้อยจะบีบแน่นและติดกลับ ชิ้นงานที่มีขนาดใหญ่มีแนวโน้มที่จะแอ่นลงเนื่องจากน้ำหนักของแผ่นเอง ควรวางที่รองรับไว้ได้ชิ้นงานให้ใกล้กับขอบของชิ้นงานทั้งสองด้านของล้อย
6. ใช้ความระมัดระวังเป็นพิเศษขณะทำการ “ตัดผ่าน” กำแพงที่มีอยู่แล้วหรือพื้นที่มุมอับอื่นๆ ล้อที่ยื่นออกมาอาจตัดท่อน้ำหรือท่อน้ำ สายไฟฟ้าหรือสิ่งของอื่นๆ ที่อาจทำให้เกิดการติดกลับได้

คำเตือนด้านความปลอดภัยสำหรับการทำงานขัด:

1. อย่าใช้แผ่นกระดาษทรายที่มีขนาดใหญ่เกินไป ปฏิบัติตามคำแนะนำของผู้ผลิตเมื่อเลือกกระดาษทราย กระดาษทรายที่ใหญ่เกินไปจะยื่นออกมาเกินแผ่นขัด และจะทำให้เกิดการฝีกขาด เป็นสาเหตุของการสะดุดจวนช้ำรุนแรง หรือการติดกลับได้

คำเตือนด้านความปลอดภัยสำหรับการใช้แปรงลวดขัด:

1. โปรดระวังเส้นลวดหลุดออกมาจากแปรงระหว่างการทำงานปกติ อย่ากดดันเส้นลวดมากเกินไปด้วยการใส่โหลดที่แปรงมากเกินไป เส้นลวดสามารถทะลุเสื้อผ้าบางๆ และ/หรือผิวหนังได้อย่างง่ายดาย
2. หากจำเป็นต้องใช้ที่ป้องกันสำหรับการทำงานขัดด้วยแปรงลวด อย่าให้ลวดหรือแปรงลวดแทรกเข้าไปในที่ป้องกัน ลวดลวดหรือแปรงลวดอาจมีเส้นผ่านศูนย์กลางที่ขยายใหญ่ขึ้นเนื่องจากโหลดการทำงานและแรงหนีศูนย์กลาง

คำเตือนด้านความปลอดภัยเพิ่มเติม:

1. เมื่อใช้ใบเจียศูนย์จุม ตรวจสอบให้แน่ใจว่าคุณใช้ล้อยที่เสริมแรงด้วยใยแก้วเท่านั้น
2. ห้ามใช้ล้อยประเภทถ้วยหินกับเครื่องขัดชนิดนี้เด็ดขาด เครื่องขัดชนิดนี้ไม่ได้ถูกออกแบบมาสำหรับล้อยประเภทเหล่านี้ และการใช้ผลิตภัณฑ์ดังกล่าวอาจทำให้เกิดการบาดเจ็บร้ายแรงได้

3. ระวังอย่าให้แกน (โดยเฉพาะอย่างยิ่งการติดตั้ง) หรือ นोटเสียหาย การที่ส่วนต่างๆ เหล่านี้เสียหายอาจเป็น สาเหตุให้ลูกล้อเสียหายได้
4. ตรวจสอบให้แน่ใจว่าลูกล้อนั้นไม่ได้สัมผัสกับชิ้นงาน ก่อนที่จะเปิดสวิทช์
5. ก่อนที่จะใช้เครื่องมือบนชิ้นงานจริง ปล่อยให้เครื่องมือ ทำงานเปล่าๆ สักครู่ ดูการสั่นสะเทือนหรือโยกโคลงที่ อาจแสดงถึงการใส่และการให้สมดุลลูกล้อที่ไม่ดีพอ
6. ใช้พื้นผิววงล้อที่ระบุในการขีด
7. อย่าปล่อยให้เครื่องมือทำงานค้างไว้ ใช้งานเครื่องมือ ในขณะที่ถืออยู่เท่านั้น
8. ห้ามสัมผัสกับชิ้นงานทันทีที่ทำงานเสร็จ เนื่องจากชิ้น งานอาจมีความร้อนสูงและลวกผิวหนังของคุณได้
9. ปฏิบัติตามคำแนะนำของผู้ผลิตในการติดตั้งและการใช้ ลูกล้อ ใช้งานและจัดเก็บลูกล้อด้วยความระมัดระวัง
10. อย่าใช้แปรงหรือตัวแปลงแบบแยกเพื่อแปลงรูล้อขีด ขนาดใหญ่
11. ใช้แต่แกนสำหรับเครื่องมือนี้เท่านั้น
12. สำหรับเครื่องมือที่ใช้สำหรับติดตั้งกับล้อรูเสียบ ให้ ตรวจสอบให้แน่ใจว่ารูในล้อยาวพอที่จะรับความยาว ของแกนได้
13. ตรวจสอบว่าชิ้นงานมีสิ่งรองรับหรือค้ำยันที่มั่นคง
14. พึงระลึกไว้เสมอว่าลูกล้อจะยังคงหมุนต่อไปแม้ว่าจะ ปิดเครื่องมือแล้วก็ตาม
15. หากสถานที่ปฏิบัติงานนั้นร้อนและชื้นมาก หรือมีฝุ่น มาก ให้ใช้เบรกเกอร์ป้องกันกระแสลัดวงจร (30 mA) เพื่อการใช้งานอย่างปลอดภัย
16. อย่าใช้เครื่องมือกับวัสดุที่มีระเบิด
17. เมื่อใช้ล้อตัด ให้ใช้ที่ป้องกันล้อกับฝุ่นตามที่กำหนด โดยข้อบังคับในประเทศ
18. งานตัดต้องไม่ได้รับแรงดันใดๆ ทั้งสิ้นจากด้านข้าง
19. อย่าใช้เครื่องมือทำงานแบบพักระหว่างการทำงาน เส้นใย จากถุงมือผ้าอาจเข้าไปในเครื่องมือ ซึ่งจะทำให้เครื่องมือเสียหายได้

ปฏิบัติตามคำแนะนำเหล่านี้

คำเตือน: อย่าให้ความไม่ระมัดระวังหรือความคุ้นเคยกับผลิตภัณฑ์ (จากการใช้งานซ้ำหลายครั้ง) อยู่เหนือ การปฏิบัติตามกฎเกณฑ์ด้านความปลอดภัยในการใช้งาน ผลิตภัณฑ์อย่างเคร่งครัด การใช้งานอย่างไม่เหมาะสม หรือการไม่ปฏิบัติตามกฎเกณฑ์ด้านความปลอดภัยใน คู่มือการใช้งานนี้อาจทำให้ได้รับบาดเจ็บร้ายแรง

คำแนะนำเพื่อความปลอดภัยที่สำคัญสำหรับ ตลับแบตเตอรี่

1. ก่อนใช้งานตลับแบตเตอรี่ ให้อ่านคำแนะนำและ เครื่องหมายเตือนทั้งหมดบน (1) เครื่องชาร์จ แบตเตอรี่ (2) แบตเตอรี่ และ (3) ตัวผลิตภัณฑ์ที่ใช้ แบตเตอรี่
2. ห้ามถอดแยกส่วนตลับแบตเตอรี่
3. หากระยะเวลาที่เครื่องทำงานสั้นเกินไป ให้หยุดใช้งานทันที เนื่องจากอาจมีความเสี่ยงที่จะร้อนจัด ใหม่หรือระเบิดได้
4. หากสารละลายอิเล็กโทรไลต์กระเด็นเข้าตา ให้ล้าง ออกด้วยน้ำเปล่าและรีบไปพบแพทย์ทันที เนื่องจาก อาจทำให้ตาบอด
5. ห้ามลัดวงจรตลับแบตเตอรี่:
 - (1) ห้ามแตะขั้วกับวัตถุที่เป็นสื่อนำไฟฟ้าใดๆ
 - (2) หลีกเลี่ยงการเก็บตลับแบตเตอรี่ไว้ในภาชนะร่วมกับวัตถุที่เป็นโลหะ เช่น กรรไกรตัดเล็บ เหรียญ ฯลฯ
 - (3) อย่าให้ตลับแบตเตอรี่ถูกน้ำหรือฝน แบตเตอรี่ลัดวงจรอาจทำให้เกิดการไหลของกระแส ไฟฟ้า ร้อนจัด ใหม่หรือเสียหายได้
6. ห้ามเก็บเครื่องมือและตลับแบตเตอรี่ไว้ในสถานที่ที่มี อุณหภูมิสูงถึงหรือเกิน 50 °C
7. ห้ามเผาตลับแบตเตอรี่ทิ้ง แม้ว่าแบตเตอรี่จะเสียหาย จนใช้การไม่ได้หรือเสื่อมสภาพแล้ว ตลับแบตเตอรี่ อาจระเบิดในกองไฟ
8. ระวังอย่าทำแบตเตอรี่ตกหล่นหรือกระทบกระแทก
9. ห้ามใช้แบตเตอรี่ที่เสียหาย
10. แบตเตอรี่ลิเทียมไอออนที่มีมาให้ห็นเป็นไปตามข้อกำหนดของ Dangerous Goods Legislation สำหรับการขนส่งเพื่อการพาณิชย์ เช่น โดยบุคคลที่ สาม ตัวแทนขนส่งสินค้า จะต้องตรวจสอบข้อกำหนด พิเศษในด้าน การบรรจุหีบห่อหรือการติดป้ายสินค้า ในการเตรียมสินค้าที่จะขนส่ง ให้ปรึกษาผู้เชี่ยวชาญ ด้านวัตถุอันตราย โปรดตรวจสอบข้อกำหนดในประเทศที่อาจมีรายละเอียดอื่น ๆ เพิ่มเติม ให้ติดเทปหรือปิดหน้าสัมผัสและห่อแบตเตอรี่ใน ลักษณะที่แบตเตอรี่จะไม่เคลื่อนที่ไปมาในหีบห่อ
11. ปฏิบัติตามข้อบังคับในท้องถิ่นที่เกี่ยวข้องกับการกำจัด แบตเตอรี่

ปฏิบัติตามคำแนะนำเหล่านี้

⚠ ข้อควรระวัง: ใช้แบตเตอรี่ของแท้จาก Makita เท่านั้น การใช้แบตเตอรี่ Makita ที่ไม่แท้ หรือแบตเตอรี่ที่ถูกเปลี่ยน อาจทำให้แบตเตอรี่ระเบิด ก่อให้เกิดเพลิงลุกไหม้ การบาดเจ็บ และความเสียหายได้ และจะทำให้การรับประกันของ Makita สำหรับเครื่องมือและแท่นชาร์จของ Makita เป็นโมฆะด้วย

เคล็ดลับในการรักษาอายุการใช้งานของ

แบตเตอรี่ให้ยาวนานที่สุด

1. ชาร์จตลับแบตเตอรี่ก่อนที่ไฟจะหมด หยุดการใช้งานแล้วชาร์จประจุไฟฟ้าใหม่ทุกครั้งเมื่อคุณรู้สึกว่าอุปกรณ์กำลังลดลง
2. อย่าชาร์จตลับแบตเตอรี่ที่มีไฟเต็มแล้ว การชาร์จประจุไฟฟ้ามากเกินไปอาจจะทำให้อายุการใช้งานของตลับแบตเตอรี่สั้นลง
3. ชาร์จประจุไฟฟ้าตลับแบตเตอรี่ในห้องที่มีอุณหภูมิระหว่าง 10 °C - 40 °C ปล่อยให้ตลับแบตเตอรี่เย็นลงก่อนที่จะชาร์จไฟ
4. ชาร์จไฟตลับแบตเตอรี่หากคุณไม่ต้องการใช้เป็นเวลานาน (เกินกว่าหกเดือน)

คำอธิบายการทำงาน

⚠ ข้อควรระวัง: ตรวจสอบให้แน่ใจว่าได้ปิดสวิตช์เครื่องมือและถอดตลับแบตเตอรี่ออกก่อนปรับตั้งหรือตรวจสอบการทำงานของเครื่องมือ

การใส่หรือการถอดตลับแบตเตอรี่

⚠ ข้อควรระวัง: ปิดสวิตช์เครื่องมือก่อนทำการติดตั้งหรือการถอดตลับแบตเตอรี่ทุกครั้ง

⚠ ข้อควรระวัง: ถือเครื่องมือและตลับแบตเตอรี่ให้แน่นในระหว่างการติดตั้งหรือการถอดตลับแบตเตอรี่ หากไม่ถือเครื่องมือและตลับแบตเตอรี่ให้แน่น อาจทำให้ตลับแบตเตอรี่และเครื่องมือลื่นหลุดมือ และทำให้เครื่องมือและตลับแบตเตอรี่เสียหายหรือได้รับบาดเจ็บได้

- ▶ **หมายเลข 1:** 1. ไฟแสดงสถานะสีแดง 2. ปุ่ม 3. ตลับแบตเตอรี่

เมื่อต้องการถอดตลับแบตเตอรี่ ให้เลื่อนปุ่มที่ด้านหน้าของตลับแล้วดึงออกจากเครื่องมือ

เมื่อต้องการติดตั้งตลับแบตเตอรี่ ให้จัดแนวสันบนตลับแบตเตอรี่ให้ตรงกับร่องบนตัวเครื่องมือ แล้วเลื่อนตลับ

แบตเตอรี่เข้าที่ ติดตั้งตลับแบตเตอรี่เข้าจนสุดจนกระทั่งได้ยินเสียงคลิกล็อกเข้าที่ หากยังเห็นส่วนสีแดงที่ด้านบนของปุ่ม แสดงว่าตลับแบตเตอรี่ยังไม่ล็อกเข้าที่

⚠ ข้อควรระวัง: ให้ดันตลับแบตเตอรี่เข้าจนสุดจนไม่เห็นส่วนสีแดงอีก ไม่เช่นนั้น ตลับแบตเตอรี่อาจหลุดออกจากเครื่องมือทำให้คุณหรือคนรอบข้างได้รับบาดเจ็บ

⚠ ข้อควรระวัง: อย่าฝืนติดตั้งตลับแบตเตอรี่โดยใช้แรงมากเกินไป หากตลับแบตเตอรี่ไม่เลื่อนเข้าไปโดยง่าย แสดงว่าใส่ไม่ถูกต้อง

การระบุระดับพลังงานแบตเตอรี่ที่เหลืออยู่

สำหรับตลับแบตเตอรี่ที่มีตัว "B" ตรงท้ายหมายเลขรุ่นเท่านั้น

- ▶ **หมายเลข 2:** 1. ไฟแสดงสถานะ 2. ปุ่มตรวจสอบ กดปุ่ม ตรวจสอบ บนตลับแบตเตอรี่เพื่อดูปริมาณแบตเตอรี่ที่เหลือ ไฟแสดงสถานะจะสว่างขึ้นเป็นเวลาสองสามวินาที

ไฟแสดงสถานะ			แบตเตอรี่ที่เหลือ
ไฟสว่าง	ดับ	กะพริบ	
■ ■ ■ ■	□ □ □ □	▣	75% ถึง 100%
■ ■ ■ □	□ □ □ □	□ □ □ □	50% ถึง 75%
■ ■ □ □	□ □ □ □	□ □ □ □	25% ถึง 50%
■ □ □ □	□ □ □ □	□ □ □ □	0% ถึง 25%
▣ □ □ □	□ □ □ □	□ □ □ □	ชาร์จไฟแบตเตอรี่
■ ■ □ □	□ □ □ □	□ □ □ □	แบตเตอรี่อาจจะเสีย

หมายเหตุ: ขึ้นอยู่กับสภาพการใช้งานและอุณหภูมิ โดยรอบ การแสดงสถานะอาจจะแตกต่างจากปริมาณแบตเตอรี่จริงเล็กน้อย





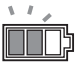
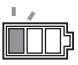
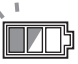
การระบุระดับพลังงานแบตเตอรี่ที่เหลืออยู่

กำหนดเฉพาะประเทศ

เมื่อเปิดเครื่องมือขึ้นมา ไฟแสดงสถานะแบตเตอรี่จะแสดง ความจุแบตเตอรี่ที่เหลืออยู่

- ▶ **หมายเลข 3:** 1. ไฟแสดงสถานะแบตเตอรี่

ความจุแบตเตอรี่ที่เหลืออยู่จะแสดงตามตารางต่อไปนี้

สถานะของไฟแสดงสถานะแบตเตอรี่			ความจุแบตเตอรี่ที่เหลืออยู่
			
สว่าง	ดับ	กะพริบ	
			50% - 100%
			20% - 50%
			0% - 20%
			ชาร์จแบตเตอรี่

ระบบป้องกันเครื่องมือ/แบตเตอรี่




เครื่องมือมีระบบป้องกันเครื่องมือ/แบตเตอรี่ ระบบนี้จะตัดไฟที่ส่งไปยังมอเตอร์โดยอัตโนมัติเพื่อหยุดการใช้งานเครื่องมือและแบตเตอรี่ เครื่องมือจะหยุดทำงานระหว่างการใช้งานโดยอัตโนมัติ หากเครื่องมือหรือแบตเตอรี่อยู่ภายใต้สถานการณ์ต่อไปนี้ ในบางกรณี ไฟแสดงสถานะจะติดขึ้น

การป้องกันโอเวอร์โหลด

เมื่อเครื่องมือทำงานในรูปแบบที่อาจจะดึงพลังงานไฟฟ้าสูงเกินไป เครื่องมือจะหยุดโดยอัตโนมัติโดยไม่มีการแจ้งเตือนใดๆ ในกรณีนี้ ให้ปิดเครื่องมือและหยุดการใช้งานในลักษณะที่อาจทำให้เครื่องมือทำงานหนักเกินไป แล้วเปิดเครื่องมือเพื่อเริ่มทำงานอีกครั้ง

การป้องกันความร้อนสูงเกินไป

เมื่อเครื่องมือมีความร้อนสูงเกินไป เครื่องมือจะหยุดทำงานโดยอัตโนมัติและไฟแสดงสถานะแบตเตอรี่จะแสดงสถานะต่อไปนี ในกรณีนี้ ปล่อยให้เครื่องมือเย็นลงก่อนที่จะเปิดเครื่องมืออีกครั้ง

	
สว่าง	กะพริบ
	

หากเครื่องมือไม่เริ่มทำงาน แสดงว่าแบตเตอรี่อาจจะร้อนเกินไป ในกรณีนี้ ให้ปล่อยแบตเตอรี่ให้เย็นลงก่อนที่จะเริ่มใช้เครื่องมืออีกครั้ง





การป้องกันไฟหมด

เมื่อแบตเตอรี่มีระดับพลังงานไม่เพียงพอ เครื่องมือจะหยุดโดยอัตโนมัติ ในกรณีนี้ ให้ถอดแบตเตอรี่ออกจากเครื่องมือ

และนำแบตเตอรี่ไปชาร์จไฟ

การปล่อยตัวล๊อคป้องกัน

เมื่อระบบป้องกันทำงานซ้ำๆ เครื่องมือจะถูกล๊อคและไฟแสดงสถานะแบตเตอรี่จะแสดงสถานะต่อไปนี้ ในกรณีนี้ เครื่องมือจะจะไม่เริ่มทำงานแม้ว่าจะเปิดและปิดเครื่องมือแล้ว เมื่อต้องการปล่อยตัวล๊อคป้องกัน ให้ถอดแบตเตอรี่ออก ใส่ไว้ในเครื่องชาร์จแบตเตอรี่และรอจนกว่าจะชาร์จเสร็จ

		
สว่าง	ดับ	กะพริบ
		

ล๊อคก้าน

กดที่ล๊อคก้านเพื่อป้องกันไม่ให้ก้านหมุนเมื่อติดตั้งหรือถอดอุปกรณ์เสริม

► หมายเลข 4: 1. ล๊อคก้าน

ข้อสังเกต: ห้ามดันที่ล๊อคก้านขณะที่แกนกำลังขยับ เครื่องมืออาจเสียหายได้

การทำงานของสวิตช์

- ⚠ **ข้อควรระวัง:** ก่อนติดตั้งกลับแบตเตอรี่ลงในเครื่องมือ ให้ตรวจสอบว่าสวิตช์ยังสามารถทำงานได้อย่างถูกต้อง และกลับไปยังตำแหน่ง "OFF" เมื่อปล่อย
- ⚠ **ข้อควรระวัง:** อย่าดึงก้านสวิตช์แรงๆ โดยไม่ได้ดึงก้านปลดล๊อค การทำเช่นนี้อาจทำให้สวิตช์เสียหายได้

เพื่อป้องกันไม่ให้ก้านสวิตช์ถูกดึงโดยไม่ได้ตั้งใจจึงมีก้านปลดล๊อคติดตั้งไว้

วิธีการเปิดใช้งานเครื่องมือ ให้ดึงก้านปลดล๊อคสวิตช์เข้าหาผู้ปฏิบัติงานแล้วกดก้านสวิตช์ หยุดเครื่องมือโดยปล่อยก้านสวิตช์

► หมายเลข 5: 1. ก้านปลดล๊อค 2. ก้านสวิตช์

การเปลี่ยนความเร็วอัตโนมัติ

► หมายเลข 6: 1. ไฟแสดงสถานะโหมด

สถานะของไฟแสดงสถานะโหมด	โหมดการทำงาน
	โหมดความเร็วสูง

สถานะของไฟแสดงสถานะ โหมต	โหมตการทำงาน
	โหมตแรงบิดสูง

เครื่องมือนี้ มี “โหมตความเร็วสูง” และ “โหมตแรงบิดสูง” โดยจะเปลี่ยนโหมตการทำงานตามปริมาณงานโดยอัตโนมัติ เมื่อไฟแสดงสถานะโหมตสว่างขึ้นระหว่างทำงาน เครื่องมือนี้นี้จะอยู่ในโหมตแรงบิดสูง

ฟังก์ชันป้องกันการรีสตาร์ทโดยไม่ได้ตั้งใจ

แม้จะทำการติดตั้งดัลต์เตอร์ระหว่างตั้งก้านสวิทช์ แต่เครื่องมือจะไม่เริ่มทำงาน เมื่อต้องการเปิดใช้เครื่องมือ ให้ปล่อยก้านสวิทช์ก่อน แล้วตั้งก้านปลดล็อก และตั้งก้านสวิทช์

ฟังก์ชันควบคุมแรงบิดอิเล็กทรอนิกส์

เครื่องมือนี้จะตรวจสอบหาสถานการณ์ที่มีความเสี่ยงที่ล้อหรืออุปกรณ์เสริมอาจติด ในกรณีนี้ เครื่องมือจะปิดอย่างอัตโนมัติเพื่อป้องกันไม่ให้แกนหมุนทำงานต่อไป (ไม่ได้ป้องกันการติดกลับ) เมื่อต้องการให้เครื่องมือเริ่มทำงานใหม่ ขึ้นแรกให้ปิดเครื่องมือก่อน กำจัดสาเหตุที่ทำให้ความเร็วในการหมุนตกลงกะทันหัน แล้วจึงเปิดเครื่องมือ

คุณสมบัติของฟท์สตาร์ท

คุณสมบัติของฟท์สตาร์ทจะช่วยลดปฏิกิริยาในการสตาร์ทให้น้อยลง

เบรกไฟฟ้า

เบรกไฟฟ้าจะทำงานหลังจากปิดเครื่องมือแล้ว เบรกจะไม่ทำงานเมื่อแหล่งจ่ายไฟปิด เช่นแบตเตอรี่ถูกถอด โดยไม่ได้ตั้งใจโดยที่สวิทช์ยังเปิดอยู่

การประกอบ

⚠ ข้อควรระวัง: ตรวจสอบให้แน่ใจว่าได้ปิดสวิทช์เครื่องมือและถอดดัลต์เตอร์ออกก่อนปรับตั้งหรือตรวจสอบการทำงานของเครื่องมือ

การติดตั้งตามจับด้านข้าง (มือจับ)

⚠ ข้อควรระวัง: ตรวจสอบให้แน่ใจทุกครั้งว่าตามจับด้านข้างติดตั้งอย่างมั่นคงก่อนที่จะทำงาน

ขั้นถัดมาจับด้านข้างให้แน่นในตำแหน่งของเครื่องมือตามที่แสดงในภาพ

▶ หมายเลข 7

การติดตั้งหรือถอดที่ป้องกันล้อ (สำหรับใบเจียศูนย์จัม จานทรายซ้อน ใบเจียแบบยึดหยุ่น แปรงลวดกลม/ล้อตัดแบบขัด ลูกล้อเพชร)

⚠ คำเตือน: เมื่อใช้ใบเจียศูนย์จัม จานทรายซ้อน ใบเจียแบบยึดหยุ่น หรือแปรงลวดกลม ต้องติดตั้งที่ป้องกันใบบนเครื่องมือเพื่อให้ในด้านที่ปิดของที่ป้องกันเข้าหาผู้ปฏิบัติงานเสมอ

⚠ คำเตือน: เมื่อใช้งานล้อตัดแบบขัด/ลูกล้อเพชร ตรวจสอบให้แน่ใจว่าใช้ที่ป้องกันล้อพิเศษที่ออกแบบมาเพื่อใช้งานกับล้อตัดเท่านั้น

(ในบางประเทศในยุโรป สามารถใช้ที่ป้องกันทั่วไปได้เมื่อใช้งานลูกล้อเพชร โปรดปฏิบัติตามข้อบังคับในประเทศของคุณ)

สำหรับเครื่องมือที่มีที่ป้องกันล้อประเภทสกรูล็อค

ติดตั้งที่ป้องกันล้อโดยให้ส่วนที่ยื่นออกมาจากฝาครอบใบเจียตรงกับเครื่องหมายบนกล่องดัลต์ลูกปืน จากนั้นให้หมุนที่ป้องกันล้อให้อยู่ในองศาที่สามารถป้องกันผู้ปฏิบัติงานในการทำงานได้ ตรวจสอบให้แน่ใจว่าได้ขันสลักเกลียวให้แน่น เมื่อต้องการถอดที่ป้องกันล้อ ให้ปฏิบัติย้อนขั้นตอนการติดตั้ง

▶ หมายเลข 8: 1. ที่ป้องกันล้อ 2. กล่องดัลต์ลูกปืน 3. สกรู

สำหรับเครื่องมือที่มีที่ป้องกันล้อประเภทคานยึด

คลายสกรู แล้วดึงคานในทิศทางตามลูกศร ติดตั้งที่ป้องกันล้อโดยให้ส่วนที่ยื่นออกมาจากฝาครอบใบเจียตรงกับเครื่องหมายบนกล่องดัลต์ลูกปืน จากนั้นให้หมุนที่ป้องกันล้อให้อยู่ในองศาที่สามารถป้องกันผู้ปฏิบัติงานในการทำงานได้

▶ หมายเลข 9: 1. ที่ป้องกันล้อ 2. กล่องดัลต์ลูกปืน 3. สกรู 4. ก้าน

ดึงคานในทิศทางตามลูกศร แล้วขันที่ป้องกันล้อให้แน่นโดยขันสกรู ตรวจสอบว่าได้ขันสลักเกลียวให้แน่นแล้ว มุมการติดตั้งที่ป้องกันล้อสามารถปรับได้ด้วยคาน

▶ หมายเลข 10: 1. สกรู 2. ก้าน

เมื่อต้องการถอดที่ป้องกันล้อ ให้ปฏิบัติย้อนขั้นตอนการติดตั้ง

การติดตั้งหรือการถอดไปเจียศูนย์จัมหรือจาน ทรายซ้อน

อุปกรณ์เสริม

คำเตือน: เมื่อใช้ไปเจียศูนย์จัมหรือจานทรายซ้อน ต้องติดตั้งที่ป้องกันใบบนเครื่องมือเพื่อให้ด้านที่ปิดของที่ป้องกันเข้าหาผู้ปฏิบัติงานเสมอ

ข้อควรระวัง: ตรวจสอบว่าส่วนที่ยึดของแกนตัวในยึดเข้าไปในเส้นผ่านศูนย์กลางของไปเจียศูนย์จัม/จานทรายซ้อนพอดี การติดตั้งแกนตัวในผิดด้านอาจทำให้เกิดการสั่นสะเทือนที่เป็นอันตรายได้

ติดตั้งแกนตัวในเข้ากับแกนหมุน

ตรวจสอบว่ายึดส่วนที่เป็นรอยเว้าของแกนตัวในเข้ากับส่วนที่เป็นแท่งตรงของฐานแกนหมุน

ติดตั้งไปเจียศูนย์จัม/จานทรายซ้อนเข้ากับแกนตัวในแล้วขันน็อตล็อกเข้ากับแกนหมุน

► **หมายเลข 11:** 1. น็อตล็อก 2. ไปเจียศูนย์จัม 3. แกนตัวใน 4. ส่วนที่ยึด

วิธีการขันแน่นน็อตล็อก ให้กดที่ล็อกก้านให้แน่นเพื่อให้แกนหมุนไม่หมุน แล้วใช้ประแจขันน็อตล็อกขันตามเข็มนาฬิกาให้แน่น

► **หมายเลข 12:** 1. ประแจขันน็อตล็อก 2. ล็อกก้าน

เมื่อต้องการถอดล้อ ให้ปฏิบัติย้อนขั้นตอนการติดตั้ง

การติดตั้งหรือการถอดไปเจียแบบยึดหยุน

อุปกรณ์เสริม

คำเตือน: ใช้ที่ป้องกันที่ห้ามเสมอเมื่อมีใบเจียบนเครื่องมือ ล้อสามารถแตกละเอียดได้ในระหว่างการใช้งาน และที่ป้องกันจะช่วยลดโอกาสในการเกิดการบาดเจ็บได้

► **หมายเลข 13:** 1. น็อตล็อก 2. ไปเจียแบบยึดหยุน 3. แผ่นรอง 4. แกนตัวใน

ปฏิบัติตามคำแนะนำสำหรับไปเจียศูนย์จัม แต่ให้ใช้แผ่นรองเหนือใบเจียด้วย ดูลำดับการประกอบในหน้าอุปกรณ์เสริมของคู่มือฉบับนี้

การติดตั้งหรือถอดจานขัด

อุปกรณ์เสริม

หมายเหตุ: ใช้แต่อุปกรณ์ขัดที่ระบุคู่มือการใช้งานฉบับนี้เท่านั้น ซึ่งจะต้องซื้อแยกต่างหาก

สำหรับรุ่น 100 mm

► **หมายเลข 14:** 1. น็อตล็อกขัดกระดาษทราย 2. จานขัด 3. แผ่นยาง 4. แกนตัวใน

1. ติดตั้งแกนตัวในเข้ากับแกนหมุน
2. ติดตั้งแผ่นยางเข้ากับแกนหมุน
3. ติดตั้งจานเข้ากับแผ่นยางแล้วขันน็อตล็อกขัดกระดาษทรายเข้ากับแกนหมุน
4. ยึดแกนหมุนด้วยที่ล็อกก้านและขันน็อตล็อกขัดกระดาษทรายให้แน่นตามเข็มนาฬิกาด้วยประแจขันน็อตล็อก

เมื่อต้องการถอดจาน ให้ปฏิบัติย้อนขั้นตอนการติดตั้ง

สำหรับรุ่น 115 mm / 125 mm

► **หมายเลข 15:** 1. น็อตล็อกขัดกระดาษทราย 2. จานขัด 3. แผ่นยาง

1. ติดตั้งแผ่นยางเข้ากับแกนหมุน
2. ติดตั้งจานเข้ากับแผ่นยางแล้วขันน็อตล็อกขัดกระดาษทรายเข้ากับแกนหมุน
3. ยึดแกนหมุนด้วยที่ล็อกก้านและขันน็อตล็อกขัดกระดาษทรายให้แน่นตามเข็มนาฬิกาด้วยประแจขันน็อตล็อก

เมื่อต้องการถอดจาน ให้ปฏิบัติย้อนขั้นตอนการติดตั้ง

การใช้งาน

คำเตือน: คุณไม่จำเป็นต้องออกแรงกดเครื่องมือ น้ำหนักของเครื่องมือจะก่อให้เกิดแรงกดที่เหมาะสม การฝืนและแรงกดที่มากเกินไปอาจทำให้ใบเจียเสียหายและเป็นอันตรายได้

คำเตือน: เปลี่ยนใบเจียเสมอถ้าทำเครื่องมือตกระหว่างขัด

คำเตือน: ห้ามทาบหรือตีจานขัดหรือใบเจียใส่ชิ้นงาน

คำเตือน: หลีกเลี่ยงการกระดอนและการทำให้ใบเจียติดขัด โดยเฉพาะขณะทำงานที่มุม ขอบมีคม และอื่น ๆ ซึ่งอาจทำให้สูญเสียการควบคุมและเกิดการติดกลับได้

คำเตือน: อย่าใช้เครื่องมือกับใบมีดตัดไม้และใบเลื่อยชนิดอื่นๆ เมื่อใช้ใบมีดชนิดดังกล่าวกับเครื่องขัดมีคมจะทำให้เกิดการติดกลับบ่อยๆ และเป็นสาเหตุให้สูญเสียการควบคุมและการบาดเจ็บของบุคคลได้

⚠ ข้อควรระวัง: อย่าเปิดเครื่องมือในขณะที่สัมผัสกับชิ้นงาน เนื่องจากอาจทำให้ผู้ปฏิบัติงานบาดเจ็บได้

⚠ ข้อควรระวัง: สวมแว่นตานิรภัยหรือหน้ากากป้องกันใบหน้าเสมอเมื่อปฏิบัติงาน

⚠ ข้อควรระวัง: หลังจากปฏิบัติงาน ให้ปิดเครื่องมือเสมอและรอกจนกว่าใบเจียจะหยุดสนิท แล้วจึงวางเครื่องมือลง

⚠ ข้อควรระวัง: ใช้มือข้างหนึ่งถือเครื่องมือให้แน่นที่ตัวเครื่องและมืออีกข้างจับที่มือจับด้านข้างเสมอ

การขัดและการขัดด้วยกระดาษทราย

▶ หมายเลข 16

เปิดเครื่องมือแล้วใช้ใบเจียหรือจานขัดกับชิ้นงาน โดยทั่วๆ ไป ควรให้ขอบใบเจียหรือจานขัดให้ทำมุมกับชิ้นงานประมาณ 15°

ระหว่างช่วงเบรกอินกับใบเจียใหม่ อย่าดันเครื่องขัดไปข้างหน้า มิฉะนั้นเครื่องขัดจะตดเข้าไปในชิ้นงาน เมื่อขอบของใบเจียมนเนื่องจากการใช้งานแล้ว ใบเจียสามารถใช้งานได้ทั้งในทิศทางเดินหน้าและถอยหลัง

การใช้งานกับล้อตัดแบบขัด/ลูกล้อเพชร

อุปกรณ์เสริม

⚠ คำเตือน: เมื่อใช้งานล้อตัดแบบขัด/ลูกล้อเพชร ตรวจสอบให้แน่ใจว่าใช้ที่ป้องกันล้อพิเศษที่ออกแบบมาเพื่อใช้งานกับล้อตัดเท่านั้น

(ในบางประเทศในยุโรป สามารถใช้ที่ป้องกันทั่วไปได้เมื่อใช้งานลูกล้อเพชร โปรดปฏิบัติตามข้อบังคับในประเทศของคุณ)

⚠ คำเตือน: ห้ามใช้ล้อตัดแบบขัดในการขัดด้านข้าง

⚠ คำเตือน: อย่าทำให้ลูกล้อ “ตด” หรือใช้แรงดันมากเกินไป อย่าพยายามทำความสะอาดในการตัดมากเกินไประยะเวลา การกดดันลูกล้อมากเกินไปจะเป็นการเพิ่มการโหลดและความไวที่ลูกล้อจะเกิดการบิดหรือการติดขัดระหว่างการตัด และอาจเกิดการติดกลับหรือลูกล้อแตก และมอเตอร์ร้อนเกินไป

⚠ คำเตือน: อย่าเริ่มการตัดโดยที่เครื่องมือคಾಯอยู่ในชิ้นงาน ปลดปล่อยใบเจียทำความเร็วสูงสุดและสอดเข้าไปในรอยตัดอย่างระมัดระวัง โดยขยับเครื่องมือไปข้างหน้าบนพื้นผิวชิ้นงาน ลูกล้ออาจติดขัด เติงหรือติดกลับได้หากเริ่มใช้เครื่องมือไฟฟ้าระหว่างที่ยังคಾಯอยู่ในชิ้นงาน

⚠ คำเตือน: ระหว่างการตัด ห้ามเปลี่ยนมุมของใบเจีย การใช้แรงดันด้านข้างกับล้อตัด (เช่นเดียวกับในการขัด) จะทำให้ใบเจียเกิดรอยร้าวและแตก ทำให้เกิดการบาดเจ็บร้ายแรงได้

⚠ คำเตือน: ลูกล้อเพชรจะต้องทำงานแบบตั้งฉากกับวัสดุที่จะตัด

▶ หมายเลข 17: 1. น็อตล็อก 2. ล้อตัดแบบขัด/ลูกล้อเพชร 3. แกนตัวใน 4. ที่ป้องกันล้อสำหรับล้อตัดแบบขัด/ลูกล้อเพชร

สำหรับการติดตั้ง ให้ปฏิบัติตามคำแนะนำสำหรับใบเจียศูนย์จุม
ทิศทางสำหรับการติดตั้งน็อตล็อกและแกนตัวในจะแตกต่างกันไปตามประเภทของล้อและความหนา
อ้างอิงภาพต่อไปนี้

สำหรับรุ่น 100 mm

เมื่อติดตั้งล้อตัดแบบขัด

▶ หมายเลข 18: 1. น็อตล็อก 2. ล้อตัดแบบขัด (บางกว่า 4 mm) 3. ล้อตัดแบบขัด (4 mm หรือหนากว่า) 4. แกนตัวใน

เมื่อติดตั้งลูกล้อเพชร

- หมายเลข 19: 1. น็อตล้อ 2. ลูกล้อเพชร (บางกว่า 4 mm) 3. ลูกล้อเพชร (4 mm หรือหนากว่า) 4. แกนตัวโน

สำหรับรุ่น 115 mm / 125 mm

เมื่อติดตั้งล้อตัดแบบขีด

- หมายเลข 20: 1. น็อตล้อ 2. ล้อตัดแบบขีด (บางกว่า 4 mm) 3. ล้อตัดแบบขีด (4 mm หรือหนากว่า) 4. แกนตัวโน

เมื่อติดตั้งลูกล้อเพชร

- หมายเลข 21: 1. น็อตล้อ 2. ลูกล้อเพชร (บางกว่า 4 mm) 3. ลูกล้อเพชร (4 mm หรือหนากว่า) 4. แกนตัวโน

การทำงานกับแปรงลวดถั่ว

อุปกรณ์เสริม

⚠ ข้อควรระวัง: ตรวจสอบการทำงานของแปรงโดยเปิดเครื่องมือให้หมุนเปล่า ตรวจสอบว่าไม่มีใครอยู่ข้างหน้าหรืออยู่ในแนวเดียวกับแปรง

⚠ ข้อควรระวัง: อย่าใช้แปรงที่เสียหาย หรือไม่สมดุล การใช้แปรงที่เสียหายอาจเป็นการเพิ่มความเสี่ยงที่จะได้รับบาดเจ็บจากการสัมผัสกับลวดแปรงที่หัก

- หมายเลข 22: 1. แปรงลวดถั่ว

ถอดดรัมเบดเตอร์ออกจากเครื่องมือและวางห่างไว้เพื่อให้สามารถเข้าถึงแกนหมุนได้ง่าย

ถอดอุปกรณ์เสริมใดๆ บนแกนหมุนออก เสียบแปรงลวดถั่วลงบนแกนหมุนและขันด้วยประแจที่ให้มา

ข้อสังเกต: หลีกเลี่ยงการใช้แรงดันมากเกินไปซึ่งจะทำให้ลวดงอมากเกินไปขณะใช้แปรง และอาจทำให้อุปกรณ์เสียหายก่อนเวลาอันควร

การทำงานกับแปรงลวดกลม

อุปกรณ์เสริม

⚠ ข้อควรระวัง: ตรวจสอบการทำงานของแปรงลวดกลม โดยเปิดเครื่องมือให้หมุนเปล่า ตรวจสอบว่าไม่มีใครอยู่ข้างหน้าหรืออยู่ในแนวเดียวกับแปรงลวดกลม

⚠ ข้อควรระวัง: อย่าใช้แปรงลวดกลมที่เสียหาย หรือไม่สมดุล การใช้แปรงลวดกลมที่เสียหายอาจเป็นการเพิ่มความเสี่ยงที่จะได้รับบาดเจ็บจากการสัมผัสกับลวดที่หัก

⚠ ข้อควรระวัง: ใช้ที่ป้องกันกับแปรงลวดกลมเสมอ โดยตรวจสอบให้เส้นผ่านศูนย์กลางของล้อสามารถใส่ไว้ด้านในที่ป้องกันได้พอดี ล้อสามารถแตกและเด้งได้ในระหว่างการใช้งาน และที่ป้องกันจะช่วยลดโอกาสในการเกิดการบาดเจ็บได้

- หมายเลข 23: 1. แปรงลวดกลม

ถอดดรัมเบดเตอร์ออกจากเครื่องมือและวางห่างไว้เพื่อให้สามารถเข้าถึงแกนหมุนได้ง่าย

ถอดอุปกรณ์เสริมใดๆ บนแกนหมุนออก เสียบแปรงลวดกลมลงบนแกนหมุนและขันด้วยประแจ

ข้อสังเกต: หลีกเลี่ยงการใช้แรงดันมากเกินไปซึ่งจะทำให้ลวดงอมากเกินไปขณะใช้แปรงลวดกลม และอาจทำให้อุปกรณ์เสียหายก่อนเวลาอันควร

การบำรุงรักษา

⚠ ข้อควรระวัง: ตรวจสอบให้แน่ใจว่าได้ปิดสวิทช์เครื่องมือและถอดดรัมเบดเตอร์ออกก่อนทำการตรวจสอบหรือบำรุงรักษา

ข้อสังเกต: อย่าใช้น้ำมันเชื้อเพลิง เบนซิน ทินเนอร์ แอลกอฮอล์ หรือวัสดุประเภทเดียวกัน เนื่องจากอาจทำให้ลื่นลื่น เสียหาย หรือแตกร้าวได้

การทำความสะอาดด้วยการระบายอากาศ

เครื่องมือและช่องระบายอากาศของเครื่องมือต้องสะอาดอยู่เสมอ ทำความสะอาดช่องระบายอากาศของเครื่องมือให้เป็นประจำหรือเมื่อใดก็ตามที่ช่องระบายอากาศเริ่มถูกปิดกั้น

- หมายเลข 24: 1. การระบายไอเสีย 2. การดูดลม

ถอดฝาครอบกันฝุ่นออกจากช่องดูดลมและทำความสะอาดเพื่อให้การไหลเวียนอากาศราบรื่น

▶ หมายเลข 25: 1. ฝาครอบกันฝุ่น

หมายเหตุ: ทำความสะอาดฝาครอบกันฝุ่นเมื่อมีฝุ่นหรือสิ่งแปลกปลอมอุดตัน การทำงานต่อไปโดยที่ฝาครอบกันฝุ่นอุดตันอาจทำให้เครื่องมือเสียหาย

อุปกรณ์เสริม

⚠ ข้อควรระวัง: ขอแนะนำให้ใช้เฉพาะอุปกรณ์เสริมหรืออุปกรณ์ต่อพ่วงเหล่านี้กับเครื่องมือ Makita ที่ระบุในคู่มือ การใช้อุปกรณ์เสริมหรืออุปกรณ์ต่อพ่วงอื่นๆ อาจมีความเสี่ยงที่จะได้รับบาดเจ็บ ใช้อุปกรณ์เสริมหรืออุปกรณ์ต่อพ่วงตามวัตถุประสงค์ที่ระบุไว้เท่านั้น

หากต้องการทราบรายละเอียดเพิ่มเติมเกี่ยวกับอุปกรณ์เสริมเหล่านี้ โปรดสอบถามศูนย์บริการ Makita ใกล้บ้านคุณ

- แบตเตอรี่และเครื่องชาร์จ Makita ของแท้

▶ หมายเลข 26

-	รุ่น 100 mm	รุ่น 115 mm	รุ่น 125 mm
1	ด้ามจับ 36		
2	ที่ป้องกันล้อ (สำหรับใบเจีย)		
3	แกนตัวโน		
4	ใบเจียศูนย์จคม/จานทรายซ้อน		
5	น็อตล็อก		
6	แผ่นรอง		
7	ใบเจียแบบยึดหมุน		
8	แกนตัวโนและแผ่นยาง 76	แผ่นยาง 100	แผ่นยาง 115
9	จานขัด		
10	น็อตล็อกขัดกระดาษทราย		
11	แปรงลวดกลม		
12	แปรงลวดถ้วย		
13	ที่ป้องกันล้อ (สำหรับล้อตัด) *1		
14	ล้อตัดแบบขัด/ลูกล้อเพชร		
-	ประแจขันน็อตล็อก		

หมายเหตุ: *1 ในประเทศยุโรปบางประเทศ สามารถใช้ที่ป้องกันหัวไปแทนที่ป้องกันพิเศษที่ครอบคลุมล้อทั้งสองด้านได้เมื่อใช้งานลูกล้อเพชร โปรดปฏิบัติตามข้อบังคับในประเทศของคุณ

หมายเหตุ: อุปกรณ์บางรายการอาจจะรวมอยู่ในชุดเครื่องมือเป็นอุปกรณ์มาตรฐาน ซึ่งอาจแตกต่างกันไปในแต่ละประเทศ

Makita Corporation
3-11-8, Sumiyoshi-cho,
Anjo, Aichi 446-8502 Japan
www.makita.com

885471B377
EN, ID, VI, TH
20151027