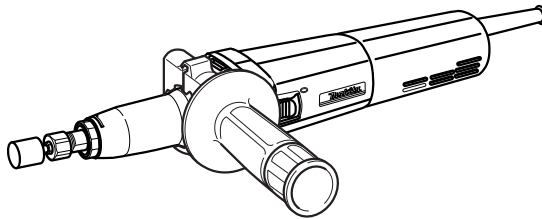




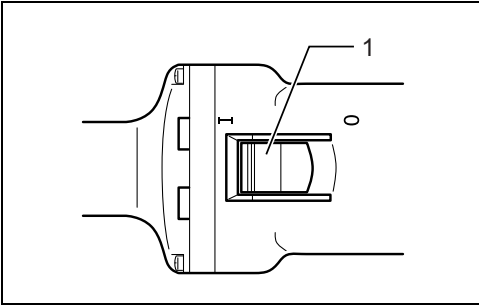
GB	Die Grinder	Instruction manual
ID	Gerinda Cetakan	Petunjuk penggunaan
VI	Máy mài khuôn	Tài liệu hướng dẫn
TH	เครื่องเจียแกน	คู่มือการใช้งาน

GD0800C
GD0810C

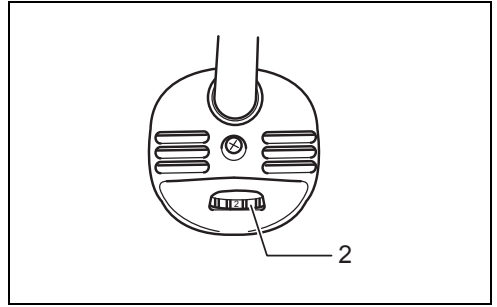


003486

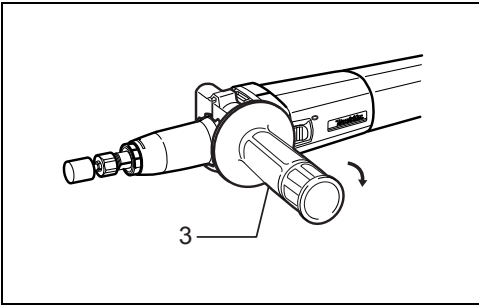




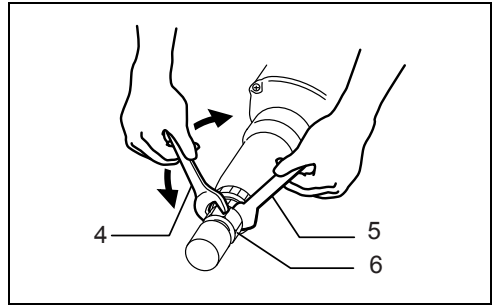
003488



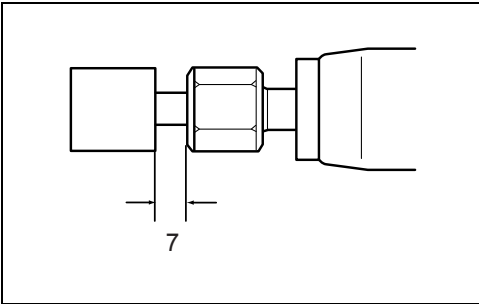
001046



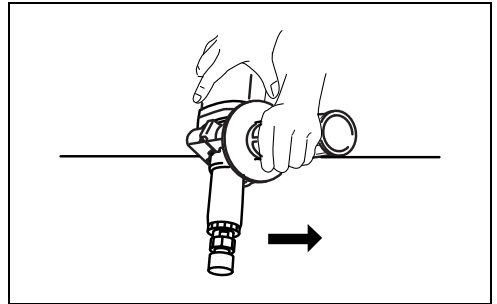
003491



003493



003495



003497

ENGLISH (Original instructions)

Explanation of general view

- | | | |
|-------------------------|---------------|----------------------|
| 1. Slide switch | 4. Wrench 19 | 7. 8 mm (5/16") Max. |
| 2. Speed adjusting dial | 5. Wrench 13 | |
| 3. Side handle | 6. Collet nut | |

SPECIFICATIONS

Model	GD0800C	GD0810C
Collet size	8 mm max.	8 mm max.
Max. wheel point diameter	25 mm	50 mm
Rated speed (n) / No load speed (n ₀)	28,000 (min ⁻¹)	7,000 (min ⁻¹)
Overall length	371 mm	371 mm
Net weight	1.7 kg	1.7 kg
Safety class	□/II	

- Due to our continuing program of research and development, the specifications herein are subject to change without notice.
- Specifications may differ from country to country.
- Weight according to EPTA-Procedure 01/2003

Symbols

END202-8

The following show the symbols used for the equipment. Be sure that you understand their meaning before use.



..... Read instruction manual.



..... DOUBLE INSULATION



..... Wear safety glasses.

Intended use

ENE050-1

The tool is intended for grinding ferrous materials or deburring castings.

Power supply

ENF002-2

The tool should be connected only to a power supply of the same voltage as indicated on the nameplate, and can only be operated on single-phase AC supply. They are double-insulated and can, therefore, also be used from sockets without earth wire.

General Power Tool Safety Warnings

GEA005-3

⚠ WARNING Read all safety warnings and all instructions. Failure to follow the warnings and instructions may result in electric shock, fire and/or serious injury.

Save all warnings and instructions for future reference.

The term "power tool" in the warnings refers to your mains-operated (corded) power tool or battery-operated (cordless) power tool.

Work area safety

1. **Keep work area clean and well lit.** Cluttered or dark areas invite accidents.

2. **Do not operate power tools in explosive atmospheres, such as in the presence of flammable liquids, gases or dust.** Power tools create sparks which may ignite the dust or fumes.
3. **Keep children and bystanders away while operating a power tool.** Distractions can cause you to lose control.

Electrical safety

4. **Power tool plugs must match the outlet. Never modify the plug in any way. Do not use any adapter plugs with earthed (grounded) power tools.** Unmodified plugs and matching outlets will reduce risk of electric shock.
5. **Avoid body contact with earthed or grounded surfaces such as pipes, radiators, ranges and refrigerators.** There is an increased risk of electric shock if your body is earthed or grounded.
6. **Do not expose power tools to rain or wet conditions.** Water entering a power tool will increase the risk of electric shock.
7. **Do not abuse the cord. Never use the cord for carrying, pulling or unplugging the power tool. Keep cord away from heat, oil, sharp edges or moving parts.** Damaged or entangled cords increase the risk of electric shock.
8. **When operating a power tool outdoors, use an extension cord suitable for outdoor use.** Use of a cord suitable for outdoor use reduces the risk of electric shock.
9. **If operating a power tool in a damp location is unavoidable, use a residual current device (RCD) protected supply.** Use of an RCD reduces the risk of electric shock.
10. **Use of power supply via a RCD with a rated residual current of 30 mA or less is always recommended.**

Personal safety

11. **Stay alert, watch what you are doing and use common sense when operating a power tool. Do not use a power tool while you are tired or under**

the influence of drugs, alcohol or medication. A moment of inattention while operating power tools may result in serious personal injury.

12. **Use personal protective equipment. Always wear eye protection.** Protective equipment such as dust mask, non-skid safety shoes, hard hat, or hearing protection used for appropriate conditions will reduce personal injuries.
13. **Prevent unintentional starting. Ensure the switch is in the off-position before connecting to power source and/or battery pack, picking up or carrying the tool.** Carrying power tools with your finger on the switch or energising power tools that have the switch on invites accidents.
14. **Remove any adjusting key or wrench before turning the power tool on.** A wrench or a key left attached to a rotating part of the power tool may result in personal injury.
15. **Do not overreach. Keep proper footing and balance at all times.** This enables better control of the power tool in unexpected situations.
16. **Dress properly. Do not wear loose clothing or jewellery. Keep your hair, clothing, and gloves away from moving parts.** Loose clothes, jewellery or long hair can be caught in moving parts.
17. **If devices are provided for the connection of dust extraction and collection facilities, ensure these are connected and properly used.** Use of dust collection can reduce dust-related hazards.

Power tool use and care

18. **Do not force the power tool. Use the correct power tool for your application.** The correct power tool will do the job better and safer at the rate for which it was designed.
19. **Do not use the power tool if the switch does not turn it on and off.** Any power tool that cannot be controlled with the switch is dangerous and must be repaired.
20. **Disconnect the plug from the power source and/or the battery pack from the power tool before making any adjustments, changing accessories, or storing power tools.** Such preventive safety measures reduce the risk of starting the power tool accidentally.
21. **Store idle power tools out of the reach of children and do not allow persons unfamiliar with the power tool or these instructions to operate the power tool.** Power tools are dangerous in the hands of untrained users.
22. **Maintain power tools. Check for misalignment or binding of moving parts, breakage of parts and any other condition that may affect the power tool's operation. If damaged, have the power tool repaired before use.** Many accidents are caused by poorly maintained power tools.
23. **Keep cutting tools sharp and clean.** Properly maintained cutting tools with sharp cutting edges are less likely to bind and are easier to control.
24. **Use the power tool, accessories and tool bits etc. in accordance with these instructions, taking into account the working conditions and the work to be performed.** Use of the power tool for operations different from those intended could result in a hazardous situation.

Service

25. **Have your power tool serviced by a qualified repair person using only identical replacement parts.** This will ensure that the safety of the power tool is maintained.
26. **Follow instruction for lubricating and changing accessories.**
27. **Keep handles dry, clean and free from oil and grease.**

DIE GRINDER SAFETY WARNINGS

GEB034-9

Safety Warnings Common for Grinding Operation:

1. **This power tool is intended to function as a grinder. Read all safety warnings, instructions, illustrations and specifications provided with this power tool.** Failure to follow all instructions listed below may result in electric shock, fire and/or serious injury.
2. **Operations such as sanding, wire brushing, polishing or cutting-off are not recommended to be performed with this power tool.** Operations for which the power tool was not designed may create a hazard and cause personal injury.
3. **Do not use accessories which are not specifically designed and recommended by the tool manufacturer.** Just because the accessory can be attached to your power tool, it does not assure safe operation.
4. **The rated speed of the accessory must be at least equal to the maximum speed marked on the power tool.** Accessories running faster than their rated speed can break and fly apart.
5. **The outside diameter and the thickness of your accessory must be within the capacity rating of your power tool.** Incorrectly sized accessories cannot be adequately controlled.
6. **The arbour size of accessories must properly fit the collet of the power tool.** Accessories that do not match the mounting hardware of the power tool will run out of balance, vibrate excessively and may cause loss of control.
7. **Mandrel mounted accessories must be fully inserted into the collet or chuck.** If the mandrel is insufficiently held and/or the overhang of the wheel is too long, the mounted accessory may become loose and be ejected at high velocity.
8. **Do not use a damaged accessory. Before each use inspect the accessory such as abrasive wheels for chips and cracks. If power tool or accessory is dropped, inspect for damage or install an undamaged accessory. After inspecting and installing an accessory, position yourself and bystanders away from the plane of the rotating accessory and run the power tool at maximum no-load speed for one minute.** Damaged accessories will normally break apart during this test time.
9. **Wear personal protective equipment. Depending on application, use face shield, safety goggles or safety glasses. As appropriate, wear dust mask, hearing protectors, gloves and workshop apron capable of stopping small abrasive or workpiece fragments.** The eye protection must be capable of

stopping flying debris generated by various operations. The dust mask or respirator must be capable of filtrating particles generated by your operation. Prolonged exposure to high intensity noise may cause hearing loss.

10. **Keep bystanders a safe distance away from work area. Anyone entering the work area must wear personal protective equipment.** Fragments of workpiece or of a broken accessory may fly away and cause injury beyond immediate area of operation.
11. **Hold power tool by insulated gripping surfaces only, when performing an operation where the cutting accessory may contact hidden wiring or its own cord.** Cutting accessory contacting a "live" wire may make exposed metal parts of the power tool "live" and could give the operator an electric shock.
12. **Always hold the tool firmly in your hand(s) during the start-up.** The reaction torque of the motor, as it accelerates to full speed, can cause the tool to twist.
13. **Use clamps to support workpiece whenever practical. Never hold a small workpiece in one hand and the tool in the other hand while in use.** Clamping a small workpiece allows you to use your hand(s) to control the tool. Round material such as dowel rods, pipes or tubing have a tendency to roll while being cut, and may cause the bit to bind or jump toward you.
14. **Position the cord clear of the spinning accessory.** If you lose control, the cord may be cut or snagged and your hand or arm may be pulled into the spinning accessory.
15. **Never lay the power tool down until the accessory has come to a complete stop.** The spinning accessory may grab the surface and pull the power tool out of your control.
16. **After changing the bits or making any adjustments, make sure the collet nut, chuck or any other adjustment devices are securely tightened.** Loose adjustment devices can unexpectedly shift, causing loss of control, loose rotating components will be violently thrown.
17. **Do not run the power tool while carrying it at your side.** Accidental contact with the spinning accessory could snag your clothing, pulling the accessory into your body.
18. **Regularly clean the power tool's air vents.** The motor's fan will draw the dust inside the housing and excessive accumulation of powdered metal may cause electrical hazards.
19. **Do not operate the power tool near flammable materials.** Sparks could ignite these materials.
20. **Do not use accessories that require liquid coolants.** Using water or other liquid coolants may result in electrocution or shock.

Kickback and Related Warnings

Kickback is a sudden reaction to a pinched or snagged rotating accessory. Pinching or snagging causes rapid stalling of the rotating accessory which in turn causes the uncontrolled power tool to be forced in the direction opposite of the accessory's rotation. For example, if an abrasive wheel is snagged or pinched by the workpiece, the edge of the wheel that is entering into the pinch point can dig into the surface of the material causing the wheel to climb out or kick out. The wheel may

either jump toward or away from the operator, depending on direction of the wheel's movement at the point of pinching. Abrasive wheels may also break under these conditions.

Kickback is the result of power tool misuse and/or incorrect operating procedures or conditions and can be avoided by taking proper precautions as given below.

- a) **Maintain a firm grip on the power tool and position your body and arm to allow you to resist kickback forces.** The operator can control kickback forces, if proper precautions are taken.
- b) **Use special care when working corners, sharp edges etc. Avoid bouncing and snagging the accessory.** Corners, sharp edges or bouncing have a tendency to snag the rotating accessory and cause loss of control or kickback.
- c) **Do not attach a toothed saw blade.** Such blades create frequent kickback and loss of control.
- d) **Always feed the bit into the material in the same direction as the cutting edge is exiting from the material (which is the same direction as the chips are thrown).** Feeding the tool in the wrong direction causes the cutting edge of the bit to climb out of the work and pull the tool in the direction of this feed.

Safety Warnings Specific for Grinding:

- a) **Use only wheel types that are recommended for your power tool and only for recommended applications.**
- b) **Do not position your hand in line with and behind the rotating wheel.** When the wheel, at the point of operation, is moving away from your hand, the possible kickback may propel the spinning wheel and the power tool directly at you.

Additional Safety Warnings:

21. **The tool is intended for use with bonded abrasive wheel points (grinding stones) permanently mounted on plain, unthreaded mandrel (shanks).**
22. **Make sure the wheel is not contacting the workpiece before the switch is turned on.**
23. **Before using the tool on an actual workpiece, let it run for a while. Watch for vibration or wobbling that could indicate poor installation or a poorly balanced wheel.**
24. **Use the specified surface of the wheel to perform the grinding.**
25. **Watch out for flying sparks. Hold the tool so that sparks fly away from you and other persons or flammable materials.**
26. **Do not leave the tool running. Operate the tool only when hand-held.**
27. **Do not touch the workpiece immediately after operation; it may be extremely hot and could burn your skin.**
28. **Observe the instructions of the manufacturer for correct mounting and use of wheels. Handle and store wheels with care.**
29. **Check that the workpiece is properly supported.**
30. **If working place is extremely hot and humid, or badly polluted by conductive dust, use a short-circuit breaker (30 mA) to assure operator safety.**
31. **Do not use the tool on any materials containing asbestos.**

32. Always be sure you have a firm footing. Be sure no one is below when using the tool in high locations.

SAVE THESE INSTRUCTIONS.

⚠ WARNING:

DO NOT feel comfort or familiarity with product (gained from repeated use) replace strict adherence to safety rules for the subject product. MISUSE or failure to follow the safety rules stated in this instruction manual may cause serious personal injury.

FUNCTIONAL DESCRIPTION

⚠ CAUTION:

- Always be sure that the tool is switched off and unplugged before adjusting or checking function on the tool.

Switch action (Fig. 1)

⚠ CAUTION:

- Before plugging in the tool, always check to see that the slide switch actuates properly and returns to the "OFF" position when the rear of the slide switch is depressed.

To start the tool, slide the slide switch toward the "I (ON)" position. For continuous operation, press the front of the slide switch to lock it.

To stop the tool, press the rear of the slide switch, then slide it toward the "O (OFF)" position.

Speed adjusting dial (Fig. 2)

The tool speed can be changed by turning the speed adjusting dial to a given number setting from 1 to 5. Higher speed is obtained when the dial is turned in the direction of number 5. And lower speed is obtained when it is turned in the direction of number 1.

Refer to the table for the relationship between the number settings on the dial and the approximate tool speed.

	GD0800C	GD0810C
Number	min ⁻¹ (RPM)	min ⁻¹ (RPM)
1-2	7,000 - 10,000	1,800 - 2,400
2-3	10,000 - 17,000	2,400 - 4,100
3-4	17,000 - 24,000	4,100 - 5,800
4-5	24,000 - 28,000	5,800 - 7,000

006478

⚠ CAUTION:

- If the tool is operated continuously at low speeds for a long time, the motor will get overloaded, resulting in tool malfunction.
- The speed adjusting dial can be turned only as far as 5 and back to 1. Do not force it past 5 or 1, or the speed adjusting function may no longer work.

ASSEMBLY

⚠ CAUTION:

- Always be sure that the tool is switched off and unplugged before carrying out any work on the tool.

Installing the side handle

Always use the side handle to ensure operating safety. (Fig. 3)

Install the side handle on the tool barrel, then tighten the handle by turning clockwise at the desired position.

Installing or removing wheel point (Fig. 4)

Loosen the collet nut and insert the wheel point into the collet nut. Use the smaller wrench to hold the spindle and the larger one to tighten the collet nut securely.

The wheel point should not be mounted more than 8 mm from the collet nut. Exceeding this distance could cause vibration or a broken shaft.

To remove the wheel point, follow the installation procedure in reverse. (Fig. 5)

⚠ CAUTION:

- Use the correct size collet cone for the wheel point which you intend to use.

OPERATION (Fig. 6)

Turn the tool on without the wheel point making any contact with the workpiece and wait until the wheel point attains full speed. Then apply the wheel point to the workpiece gently. To obtain a good finish, move the tool in the leftward direction slowly.

⚠ CAUTION:

- Apply light pressure on the tool. Excessive pressure on the tool will only cause a poor finish and overloading of the motor.

MAINTENANCE

⚠ CAUTION:

- Always be sure that the tool is switched off and unplugged before attempting to perform inspection or maintenance.
 - Never use gasoline, benzene, thinner, alcohol or the like. Discoloration, deformation or cracks may result.
- To maintain product SAFETY and RELIABILITY, repairs, carbon brush inspection and replacement, any other maintenance or adjustment should be performed by Makita Authorized Service Centers, always using Makita replacement parts.

OPTIONAL ACCESSORIES

⚠ CAUTION:

- These accessories or attachments are recommended for use with your Makita tool specified in this manual. The use of any other accessories or attachments might present a risk of injury to persons. Only use accessory or attachment for its stated purpose.

If you need any assistance for more details regarding these accessories, ask your local Makita Service Center.

- Wheel points
- Collet cone set (3 mm, 6 mm, 1/4", 1/8")
- Vise holder
- Wrench 13
- Wrench 19
- Side handle set

NOTE:

- Some items in the list may be included in the tool package as standard accessories. They may differ from country to country.

BAHASA INDONESIA (Petunjuk Asli)

Penjelasan tampilan keseluruhan

- | | | |
|------------------------------------|-----------------|-----------------------|
| 1. Sakelar geser | 4. Kunci pas 19 | 7. Maks. 8 mm (5/16") |
| 2. Tombol-putar penyetel kecepatan | 5. Kunci pas 13 | |
| 3. Gagang samping | 6. Mur kolet | |

SPESIFIKASI

Model	GD0800C	GD0810C
Ukuran kolet	Maks. 8 mm	Maks. 8 mm
Diameter wheel point maksimum	25 mm	50 mm
Kecepatan nominal (n) Kecepatan tanpa beban (n_0)	28.000 (men ⁻¹)	7.000 (men ⁻¹)
Panjang keseluruhan	371 mm	371 mm
Berat bersih	1,7 kg	1,7 kg
Kelas keamanan	□/II	

- Karena kesinambungan program penelitian dan pengembangan kami, spesifikasi yang disebutkan di sini dapat berubah tanpa pemberitahuan.
- Spesifikasi dapat berbeda dari satu negara ke negara lainnya.
- Berat menurut Prosedur EPTA 01/2003

Simbol-simbol

END202-8

Berikut ini adalah simbol-simbol yang digunakan pada alat ini. Pastikan Anda mengerti makna masing-masing simbol sebelum menggunakan alat ini.



..... Baca petunjuk penggunaan.



..... ISOLASI GANDA



..... Kenakan kacamata pengaman.

Maksud penggunaan

ENE050-1

Alat ini dimaksudkan untuk menggerinda bahan mengandung besi atau menghaluskan (membuang gerigis pada) hasil cetakan.

Pasokan daya

ENF002-2

Alat harus terhubung dengan pasokan daya listrik yang bervoltase sama dengan yang tertera pada pelat nama, dan hanya dapat dijalankan dengan listrik AC fase tunggal. Alat ini diisolasi ganda dan oleh sebab itu dapat dihubungkan dengan soket tanpa arde.

Peringatan Keselamatan Umum Mesin Listrik

GEA005-3

⚠ PERINGATAN Bacalah semua peringatan keselamatan dan semua petunjuk. Kelalaian mematuhi peringatan dan petunjuk dapat menyebabkan sengatan listrik, kebakaran dan/atau cedera serius.

Simpanlah semua peringatan dan petunjuk untuk acuan di masa depan.

Istilah "mesin listrik" dalam semua peringatan mengacu pada mesin listrik yang dijalankan dengan sumber listrik jala-jala (berkabel) atau baterai (tanpa kabel).

Keselamatan tempat kerja

1. **Jagalah tempat kerja selalu bersih dan berpenerangan cukup.** Tempat yang berantakan atau gelap mengundang kecelakaan.
2. **Jangan mengoperasikan mesin listrik dalam atmosfer yang mudah meledak, seperti bila ada cairan, gas, atau debu mudah menyala.** Mesin listrik menimbulkan percikan api yang dapat menyalakan debu atau uap tersebut.
3. **Jauhkan anak-anak dan orang lain saat menggunakan mesin listrik.** Bila perhatian terpecah, Anda dapat kehilangan kendali.

Keamanan kelistrikan

4. **Steker mesin listrik harus cocok dengan stopkontak. Jangan sekali-kali mengubah steker dengan cara apa pun. Jangan menggunakan steker adaptor dengan mesin listrik berarde (dibumikan).** Steker yang tidak diubah dan stopkontak yang cocok akan mengurangi risiko sengatan listrik.
5. **Hindari sentuhan tubuh dengan permukaan berarde atau yang dibumikan seperti pipa, radiator, kompor, dan kulkas.** Risiko sengatan listrik bertambah jika tubuh Anda terbumikan atau terarde.
6. **Jangan membiarkan mesin listrik kehujanan atau kebasahan.** Air yang masuk ke dalam mesin listrik akan meningkatkan risiko sengatan listrik.
7. **Jangan menyalahgunakan kabel. Jangan sekali-kali menggunakan kabel untuk membawa, menarik, atau mencabut mesin listrik dari stopkontak. Jauhkan kabel dari panas, minyak, tepian tajam, atau bagian yang bergerak.** Kabel yang rusak atau kusut memperbesar risiko sengatan listrik.
8. **Bila menggunakan mesin listrik di luar ruangan, gunakan kabel ekstensi yang sesuai untuk**

penggunaan di luar ruangan. Penggunaan kabel yang sesuai untuk penggunaan luar ruangan mengurangi risiko sengatan listrik.

9. **Jika mengoperasikan mesin listrik di lokasi lembap tidak dapat dihindari, gunakan pasokan daya yang dilindungi piranti imbasan arus (residual current device - RCD).** Penggunaan RCD mengurangi risiko sengatan listrik.
10. **Penggunaan pasokan daya melalui RCD dengan kapasitas arus sisa 30 mA atau kurang selalu dianjurkan.**

Keselamatan diri

11. **Jaga kewaspadaan, perhatikan pekerjaan Anda dan gunakan akal sehat bila menggunakan mesin listrik. Jangan menggunakan mesin listrik saat Anda lelah atau di bawah pengaruh obat bius, alkohol, atau obat.** Sekejam saja lalai saat menggunakan mesin listrik dapat menyebabkan cedera diri yang serius.
12. **Gunakan alat pelindung diri. Selalu kenakan pelindung mata.** Peralatan pelindung seperti masker debu, sepatu pengaman anti-selip, helm pengaman, atau pelindung telinga yang digunakan untuk kondisi yang sesuai akan mengurangi risiko cedera diri.
13. **Cegah penyalaaan yang tidak disengaja. Pastikan bahwa sakelar berada dalam posisi mati (off) sebelum menghubungkan mesin ke sumber daya dan/atau baterai, atau mengangkat atau membawanya.** Membawa mesin listrik dengan jari Anda pada sakelarnya atau mengalirkan listrik pada mesin listrik yang sakelarnya hidup (on) akan mengundang kecelakaan.
14. **Lepaskan kunci-kunci penyetel sebelum menghidupkan mesin listrik.** Kunci-kunci yang masih terpasang pada bagian mesin listrik yang berputar dapat menyebabkan cedera.
15. **Jangan meraih terlalu jauh. Jagalah pijakan dan keseimbangan sepanjang waktu.** Hal ini memungkinkan kendali yang lebih baik atas mesin listrik dalam situasi yang tidak diharapkan.
16. **Kenakan pakaian yang sesuai. Jangan memakai pakaian yang kedodoran atau perhiasan. Jaga jarak antara rambut, pakaian, dan sarung tangan Anda dengan bagian mesin yang bergerak.** Pakaian kedodoran, perhiasan, atau rambut panjang dapat tersangkut pada bagian yang bergerak.
17. **Jika tersedia fasilitas untuk menghisap dan mengumpulkan debu, pastikan fasilitas tersebut terhubung listrik dan digunakan dengan baik.** Penggunaan pembersih debu dapat mengurangi bahaya yang terkait dengan debu.

Penggunaan dan pemeliharaan mesin listrik

18. **Jangan memaksa mesin listrik. Gunakan mesin listrik yang tepat untuk keperluan Anda.** Mesin listrik yang tepat akan menuntaskan pekerjaan dengan lebih baik dan aman pada kecepatan sesuai rancangannya.
19. **Jangan gunakan mesin jika saklar tidak bisa menghidupkan atau mematikannya.** Mesin listrik yang tidak dapat dikendalikan dengan sakelarnya adalah berbahaya dan harus diperbaiki.
20. **Cabut steker dari sumber listrik dan/atau baterai dari mesin listrik sebelum melakukan penyetelan,**

penggantian aksesori, atau menyimpan mesin listrik. Langkah keselamatan preventif tersebut mengurangi risiko hidupnya mesin secara tak sengaja.

21. **Simpan mesin listrik jauh dari jangkauan anak-anak dan jangan biarkan orang yang tidak paham mengenai mesin listrik tersebut atau petunjuk ini menggunakan mesin listrik.** Mesin listrik sangat berbahaya di tangan pengguna yang tak terlatih.
22. **Rawatlah mesin listrik. Periksa apakah ada bagian bergerak yang tidak lurus atau macet, bagian yang pecah dan kondisi lain yang dapat mempengaruhi penggunaan mesin listrik. Jika rusak, perbaiki dahulu mesin listrik sebelum digunakan.** Banyak kecelakaan disebabkan oleh kurangnya pemeliharaan mesin listrik.
23. **Jaga agar mesin pemotong tetap tajam dan bersih.** Mesin pemotong yang terawat baik dengan mata pemotong yang tajam tidak mudah macet dan lebih mudah dikendalikan.
24. **Gunakan mesin listrik, aksesori, dan mata mesin, dll. sesuai dengan petunjuk ini, dengan memperhitungkan kondisi kerja dan jenis pekerjaan yang dilakukan.** Penggunaan mesin listrik untuk penggunaan yang lain dari peruntukan dapat menimbulkan situasi berbahaya.

Servis

25. **Berikan mesin listrik untuk diperbaiki hanya kepada teknisi yang berkualifikasi dengan menggunakan hanya suku cadang pengganti yang serupa.** Hal ini akan menjamin terjaganya keamanan mesin listrik.
26. **Patuhi petunjuk pelumasan dan penggantian aksesori.**
27. **Jagalah agar gagang kering, bersih, dan bebas dari minyak dan gemuk.**

PERINGATAN KESELAMATAN GERINDA CETAKAN

GEB034-9

Peringatan Keselamatan Umum untuk Pekerjaan Pengerindaan:

1. **Mesin listrik ini dimaksudkan untuk digunakan sebagai gerinda. Bacalah semua peringatan keselamatan, petunjuk, ilustrasi, dan spesifikasi yang disediakan bersama dengan mesin listrik ini.** Kelalaian untuk mematuhi seluruh petunjuk di bawah ini dapat mengakibatkan sengatan listrik, kebakaran, dan/atau cedera serius.
2. **Pekerjaan seperti pengampelasan, penyikatan kawat, pemolesan, atau pemotongan tidak dianjurkan menggunakan mesin listrik ini.** Pekerjaan yang tidak cocok dengan desain mesin listrik ini dapat menimbulkan bahaya dan menyebabkan cedera.
3. **Jangan menggunakan aksesori yang tidak secara khusus dirancang dan direkomendasikan oleh pabrik pembuat mesin.** Hanya karena aksesori bisa dipasang pada mesin listrik Anda, tidak berarti bahwa penggunaannya pasti aman.
4. **Kecepatan nominal aksesori setidaknya harus sama dengan kecepatan maksimum yang tertera pada mesin listrik.** Aksesori yang berputar lebih

- cepat daripada kecepatan nominalnya dapat pecah dan beterbangan ke mana-mana.
5. **Diameter luar dan ketebalan aksesoris Anda harus berada dalam kapasitas nominal mesin listrik Anda.** Aksesoris yang berukuran salah tidak akan bisa dikendalikan dengan baik.
 6. **Ukuran lubang arbor (paksi) aksesoris harus benar-benar pas dengan kolet mesin listrik.** Aksesoris yang tidak cocok dengan perangkat keras pemasangan pada mesin listrik akan berputar tidak seimbang, bergetar keras, dan dapat menyebabkan hilangnya kendali.
 7. **Aksesoris berpemasangan mandrel harus dimasukkan sepenuhnya ke dalam kolet atau cuk (penggenggam).** Jika mandrel tidak tertahan cukup kuat dan/atau bagian menggantung roda terlalu panjang, aksesoris yang dipasang dapat menjadi kendur dan terlontar pada kecepatan tinggi.
 8. **Jangan menggunakan aksesoris yang rusak. Setiap kali akan digunakan, periksa aksesoris seperti roda gerinda dari adanya pecahan dan retakan. Jika mesin listrik atau aksesoris terjatuh, periksa apakah ada kerusakan atau pasanglah aksesoris yang tidak rusak. Setelah memeriksa dan memasang aksesoris, jauhkan diri Anda dan orang lain dari bidang perputaran aksesoris dan jalankan mesin listrik pada kecepatan tanpa beban maksimum selama satu menit.** Aksesoris yang rusak biasanya akan hancur selama pengujian ini.
 9. **Kenakan alat pelindung diri. Tergantung pemakaian, gunakanlah pelindung wajah dan kacamata pengaman. Jika perlu, pakailah masker debu, pelindung pendengaran, sarung tangan, dan apron kerja yang mampu menahan kepingan kecil bahan abrasif atau benda kerja.** Pelindung mata harus mampu menghentikan serpihan beterbangan yang dihasilkan oleh berbagai macam pekerjaan. Masker debu atau respirator harus mampu menyaring partikel yang dihasilkan dalam pekerjaan Anda. Kebisingan berintensitas tinggi yang lama dapat merusak pendengaran.
 10. **Jaga agar orang lain berada pada jarak yang aman dari area kerja. Setiap orang yang masuk ke area kerja harus memakai alat pelindung diri.** Serpihan benda kerja atau aksesoris yang pecah dapat terlontar dan melukai orang di luar area kerja.
 11. **Pegang mesin listrik hanya pada permukaan genggam yang terisolasi bila dalam melakukan pekerjaan, aksesoris pemotong mungkin bersentuhan dengan kawat tersembunyi atau kabelnya sendiri.** Aksesoris pemotong yang menyentuh kawat "hidup" (teraliri arus listrik) dapat menyebabkan bagian logam yang terbuka pada mesin ikut teraliri arus listrik dan menyengat pengguna.
 12. **Selalu pegang mesin kuat-kuat dengan tangan Anda saat mulai menjalankannya.** Torsi reaksi motor, saat berakselerasi menuju kecepatan penuh, bisa membuat mesin memuntir.
 13. **Sedapat mungkin gunakan klem untuk menopang benda kerja. Jangan sekali-kali memegang benda kerja kecil dengan satu tangan dan memegang mesin dengan tangan lainnya saat menggunakannya.** Mengeklem benda kerja kecil memungkinkan Anda menggunakan kedua tangan
- Anda untuk mengendalikan mesin. Benda bundar seperti batang dowel, pipa, atau tuba cenderung menggelinding ketika dipotong, dan bisa menyebabkan mata mesin terjepit atau melompat ke arah Anda.
14. **Posisikan kabel jauh dari aksesoris yang berputar.** Jika Anda kehilangan kendali, kabel dapat terpotong atau tersangkut dan tangan atau lengan Anda dapat tertarik ke aksesoris yang berputar tersebut.
 15. **Jangan sekali-kali meletakkan mesin listrik sebelum aksesoris berhenti sepenuhnya.** Aksesoris yang berputar dapat tersangkut pada permukaan dan menarik mesin listrik lepas dari kendali Anda.
 16. **Setelah mengganti mata mesin atau melakukan penyetelan, pastikan bahwa mur kolet, cuk, atau perangkat penyetelan lainnya dikencangkan dengan kuat.** Perangkat penyetelan yang kendur dapat bergeser secara tidak terduga, sehingga mengakibatkan kehilangan kendali, dan komponen putar yang kendur akan terlontar dengan kuat.
 17. **Jangan menyalakan mesin listrik saat membawanya di sisi tubuh Anda.** Kontak tak disengaja dengan aksesoris yang berputar dapat menggulung pakaian Anda dan menarik aksesoris ke tubuh Anda.
 18. **Bersihkanlah lubang ventilasi udara mesin listrik ini secara teratur.** Kipas motor mesin ini akan menyedot masuk debu ke bagian dalamnya dan akumulasi serbuk logam yang berlebihan dapat menimbulkan bahaya kelistrikan.
 19. **Jangan menggunakan mesin listrik di dekat bahan yang mudah menyala.** Bunga api dapat menyalakan bahan tersebut.
 20. **Jangan gunakan aksesoris yang membutuhkan cairan pendingin.** Penggunaan air atau cairan pendingin lain dapat mengakibatkan sengatan listrik yang bisa mematikan.
- Tendang-balik dan Peringatan Terkait**
- Tendang-balik adalah reaksi tiba-tiba terhadap terjepit atau tersangkutnya aksesoris yang sedang berputar. Kondisi terjepit atau tersangkut ini menyebabkan aksesoris yang sedang berputar terhenti secara tiba-tiba, yang kemudian menyebabkan alat listrik yang tidak terkendali ini mendorong ke arah yang berlawanan dengan arah perputaran aksesoris.
- Misalnya, jika roda gerinda tersangkut atau terjepit oleh benda kerja, tepian roda yang masuk ke dalam titik jepit dapat "menggali" masuk ke dalam permukaan bahan tersebut sehingga menyebabkan roda memanjat keluar atau menendang balik. Roda dapat melompat mendekati atau menjauhi operator, tergantung arah gerak roda di titik jepit tersebut. Roda gerinda juga dapat pecah dalam kondisi seperti ini.
- Tendang-balik merupakan akibat dari penyalahgunaan mesin listrik dan/atau prosedur atau kondisi penggunaan yang tidak tepat dan dapat dihindari dengan mengambil langkah pengamanan berikut ini.
- a) **Genggamlah mesin listrik dengan kuat setiap saat dan posisikan tubuh dan tangan Anda untuk menahan gaya tendang-balik.** Gaya tendang-balik dapat dikendalikan oleh pengguna, jika langkah pengamanan yang sesuai diambil.
 - b) **Lebih berhati-hatilah saat Anda mengerjakan sudut, pinggiran tajam, dll. Hindari membuat**

aksesori terpantul atau tersangkut. Sudut, pinggirannya tajam, atau pantulannya cenderung menyebabkan aksesoris yang berputar tersangkut dan mengakibatkan hilangnya kendali atau tendang-balik.

c) **Jangan memasang roda gergaji bergigi.** Mata pisau/gergaji semacam itu sering menimbulkan tendang-balik dan hilangnya kendali.

d) **Selalu tempelkan mata mesin pada bahan dalam arah yang sama dengan arah keluar mata pemotong dari bahan (yaitu arah yang sama dengan arah terlontarnya serpihan).** Menempelkan mesin dalam arah yang salah akan menyebabkan mata pemotong mata mesin memanjat keluar dari benda kerja dan menarik mesin ke arah penempelan ini.

Peringatan Keselamatan Khusus untuk Penggerindaan:

- a) **Gunakan hanya jenis roda yang dianjurkan untuk mesin listrik Anda dan hanya untuk aplikasi yang dianjurkan.**
- b) **Jangan posisikan tangan Anda di belakang dan segaris dengan roda yang berputar.** Di titik kerja, jika roda menjauhi tangan Anda, tendang-balik yang dapat terjadi bisa mendorong roda yang berputar dan mesin listrik langsung ke arah Anda.

Peringatan Keselamatan Tambahan:

- 21. **Mesin ini dimaksudkan untuk digunakan dengan wheel point gerinda berpengikat (batu gerinda) yang terpasang permanen pada mandrel (tangkai) rata yang tidak berdrat.**
- 22. **Pastikan roda tidak menyentuh benda kerja sebelum sakelar dihidupkan.**
- 23. **Sebelum menggunakan mesin pada benda kerja sesungguhnya, biarkan mesin berjalan sebentar. Perhatikan apakah ada getaran atau goyangan yang menandakan pemasangan yang tidak baik atau roda yang tidak seimbang.**
- 24. **Gunakan permukaan roda yang ditentukan untuk menggerinda.**
- 25. **Hati-hati dengan bunga api yang beterbangan. Pegang mesin sedemikian rupa hingga bunga api menjauhi Anda dan orang lain atau bahan yang mudah menyala.**
- 26. **Jangan tinggalkan mesin dalam keadaan hidup. Jalankan mesin hanya ketika digenggam tangan.**
- 27. **Jangan menyentuh benda kerja segera setelah pengerjaan; suhunya mungkin sangat panas dan dapat membakar kulit Anda.**
- 28. **Patuhi petunjuk pabrik pembuat untuk pemasangan dan penggunaan roda yang tepat. Tangani dan simpan roda dengan hati-hati.**
- 29. **Pastikan bahwa benda kerja ditopang dengan baik.**
- 30. **Jika tempat kerja sangat panas dan lembap, atau tercemar berat oleh debu penghantar, gunakan pemutus arus hubung-singkat (30 mA) untuk memastikan keselamatan pengguna.**
- 31. **Jangan menggunakan mesin pada bahan yang mengandung asbestos.**
- 32. **Selalu pastikan Anda berdiri di atas alas yang kuat. Pastikan tidak ada orang di bawah mesin bila Anda menggunakannya di tempat tinggi.**

SIMPAN PETUNJUK INI.

⚠ PERINGATAN:
JANGAN biarkan kenyamanan atau terbiasanya Anda dengan produk (karena penggunaan berulang) menggantikan kepatuhan yang ketat terhadap aturan keselamatan untuk produk yang terkait.
PENYALAHGUNAAN atau kelalaian mematuhi kaidah keselamatan yang tertera dalam petunjuk penggunaan ini dapat menyebabkan cedera badan serius.

DESKRIPSI FUNGSI

⚠ PERHATIAN:
 • Selalu pastikan mesin sudah dimatikan dan stekernya dicabut sebelum menyetel atau memeriksa fungsi mesin.

Gerakan sakelar (Gb. 1)

⚠ PERHATIAN:
 • Sebelum menancapkan steker mesin, selalu pastikan bahwa sakelar geser bekerja dengan baik dan kembali ke posisi "OFF" saat bagian belakangnya ditekan. Untuk menghidupkan mesin, geser sakelar ke posisi "I (ON)". Untuk pengoperasian terus-menerus, tekan bagian depan sakelar geser untuk menguncinya. Untuk menghentikan mesin, tekan bagian belakang sakelar geser, kemudian geser ke posisi "O (OFF)".

Tombol-putar penyetel kecepatan (Gb. 2)

Kecepatan mesin dapat diubah dengan memutar tombol-putar penyetel kecepatan ke setelan angka yang tersedia, dari 1 sampai 5. Kecepatan yang lebih tinggi diperoleh bila tombol-putar diputar ke arah angka 5. Kecepatan yang lebih rendah diperoleh bila tombol-putar diputar ke arah angka 1. Bacalah tabel untuk mengetahui hubungan antara setelan angka pada tombol-putar dan kecepatan mesin.

	GD0800C	GD0810C
Angka	men ⁻¹ (RPM)	men ⁻¹ (RPM)
1-2	7.000 - 10.000	1.800 - 2.400
2-3	10.000 - 17.000	2.400 - 4.100
3-4	17.000 - 24.000	4.100 - 5.800
4-5	24.000 - 28.000	5.800 - 7.000

006478

⚠ PERHATIAN:
 • Jika mesin dioperasikan secara terus-menerus pada kecepatan rendah untuk waktu lama, motornya akan kelebihan beban, dan mengakibatkan malfungsi mesin.
 • Tombol-putar penyetel kecepatan dapat diputar hanya sejauh 5 dan mundur kembali ke 1. Jangan memaksanya melewati 5 atau 1, atau fungsi pengaturan kecepatan tidak akan bekerja lagi.

PERAKITAN

⚠ PERHATIAN:
 • Selalu pastikan mesin sudah dimatikan dan stekernya dicabut sebelum melakukan pekerjaan apa pun pada mesin.

Memasang gagang samping

Selalu gunakan gagang samping untuk memastikan keselamatan pengoperasian. (Gb. 3)

Pasang gagang samping pada laras mesin, kemudian kencangkan gagang dengan memutarinya searah jarum jam pada posisi yang diinginkan.

Memasang atau melepas wheel point (Gb. 4)

Kendurkan mur kolet dan masukkan wheel point ke dalam mur kolet. Gunakan kunci pas yang lebih kecil untuk menahan spindel dan kunci yang lebih besar untuk mengencangkan mur kolet kuat-kuat.

Wheel point harus dipasang tidak lebih dari 8 mm dari mur kolet. Melampaui jarak ini dapat menyebabkan getaran atau patahnya as.

Untuk melepas wheel point, ikuti prosedur pemasangan secara terbalik. (Gb. 5)

PERHATIAN:

- Gunakan ukuran kerucut kolet yang tepat untuk wheel point yang ingin Anda gunakan.

PENGOPERASIAN (Gb. 6)

Hidupkan mesin dengan wheel point tidak menyentuh benda kerja dan tunggu sampai wheel point mencapai kecepatan penuh. Kemudian tempelkan wheel point pada benda kerja dengan halus. Untuk mendapatkan finishing yang baik, gerakkan mesin ke arah kiri dengan perlahan-lahan.

PERHATIAN:

- Berikan sedikit saja tekanan pada mesin. Tekanan yang berlebihan pada mesin hanya akan menghasilkan finishing yang buruk dan kelebihan beban pada motor.

PERAWATAN

PERHATIAN:

- Selalu pastikan mesin sudah dimatikan dan stekernya dicabut sebelum melakukan pemeriksaan atau perawatan.
- Jangan sekali-kali menggunakan bensin, tiner, alkohol, atau bahan sejenisnya. Penggunaan bahan demikian dapat menyebabkan perubahan warna dan bentuk serta timbulnya retakan.

Untuk menjaga KEAMANAN dan KEHANDALAN produk, perbaikan, pemeriksaan dan penggantian borstel arang, perawatan atau penyetelan lainnya harus dilakukan oleh Pusat Servis Resmi Makita dan gunakan selalu suku cadang Makita.

AKSESORI TAMBAHAN

PERHATIAN:

- Aksesori atau alat tambahan ini dianjurkan untuk digunakan dengan alat Makita milik Anda yang disebutkan dalam buku petunjuk ini. Penggunaan aksesori atau alat tambahan lain dapat menimbulkan risiko cedera pada orang. Gunakan aksesori atau alat tambahan sesuai kegunaannya.

Jika Anda membutuhkan bantuan perihal informasi lebih terperinci mengenai aksesori-aksesori ini, tanyakan kepada Pusat Servis Makita setempat.

- Wheel point
- Set kerucut kolet (3 mm, 6 mm, 1/4", 1/8")
- Penahan ragum
- Kunci pas 13
- Kunci pas 19
- Set gagang samping

CATATAN:

- Beberapa artikel dalam daftar dapat disertakan dalam kemasan mesin sebagai aksesori standar. Kelengkapan ini dapat berbeda dari satu negara ke negara lainnya.

TIẾNG VIỆT (Hướng dẫn Gốc)

Giải thích về hình vẽ tổng thể

- | | | |
|--------------------------|---------------|---------------------------|
| 1. Công tắc trượt | 4. Cờ lê 19 | 7. Tối đa là 8 mm (5/16") |
| 2. Núm điều chỉnh tốc độ | 5. Cờ lê 13 | |
| 3. Tay cầm bên | 6. Đai ốc hãm | |

THÔNG SỐ KỸ THUẬT

Kiểu máy	GD0800C	GD0810C
Kích thước vòng hãm	Tối đa là 8 mm	Tối đa là 8 mm
Đường kính đầu mài lớn nhất	25 mm	50 mm
Tốc độ định mức (n) / Tốc độ không tải (n ₀)	28.000 (min ⁻¹)	7.000 (min ⁻¹)
Tổng chiều dài	371 mm	371 mm
Trọng lượng tịnh	1,7 kg	1,7 kg
Cấp an toàn	□/II	

- Do chương trình nghiên cứu và phát triển liên tục của chúng tôi nên các thông số kỹ thuật dưới đây có thể thay đổi mà không cần thông báo.
- Các thông số kỹ thuật ở mỗi quốc gia có thể khác nhau.
- Trọng lượng theo quy định EPTA-Procedure 01/2003

Ký hiệu ENE202-8

Phần dưới đây cho biết các ký hiệu được dùng cho thiết bị. Đảm bảo rằng bạn hiểu ý nghĩa của các ký hiệu này trước khi sử dụng.



..... Đọc tài liệu hướng dẫn.



..... CÁCH ĐIỆN KÉP



..... Đeo kính an toàn.

Mục đích sử dụng ENE050-1

Dụng cụ này được dùng để mài vật liệu có chứa sắt hoặc mài nhẵn khuôn.

Nguồn cấp điện ENF002-2

Dụng cụ này chỉ được nối với nguồn cấp điện có điện áp giống như đã chỉ ra trên biển tên và chỉ có thể được vận hành trên nguồn cung cấp AC một pha. Thiết bị được cách điện kép và do đó cũng có thể được sử dụng từ các ổ cắm mà không cần dây tiếp đất.

Cảnh báo An toàn Chung dành cho Dụng cụ Máy

GEA005-3

⚠ CẢNH BÁO ĐỌC tất cả cảnh báo an toàn và hướng dẫn. Việc không tuân theo các cảnh báo và hướng dẫn có thể dẫn đến điện giật, hỏa hoạn và/hoặc thương tích nghiêm trọng.

Lưu giữ tất cả cảnh báo và hướng dẫn để tham khảo sau này.

Thuật ngữ "dụng cụ máy" trong các cảnh báo đề cập đến dụng cụ máy (có dây) được vận hành bằng điện

hoặc dụng cụ máy (không dây) được vận hành bằng pin.

An toàn tại nơi làm việc

- Giữ nơi làm việc sạch sẽ và có đủ ánh sáng.** Nơi làm việc bừa bộn hoặc tối có thể dẫn đến tai nạn.
- Không vận hành dụng cụ máy trong môi trường cháy nổ, ví dụ như môi trường có sự hiện diện của các chất lỏng, khí hoặc bụi dễ cháy.** Các dụng cụ máy tạo ra tia lửa điện có thể làm bùng hoặc khí bốc cháy.
- Giữ trẻ em và người ngoài tránh xa nơi làm việc khi đang vận hành dụng cụ máy.** Sự sao lãng có thể khiến bạn mất khả năng kiểm soát.

An toàn về điện

- Phích cắm của dụng cụ máy phải khớp với ổ cắm. Không bao giờ được sửa đổi phích cắm theo bất kỳ cách nào. Không sử dụng bất kỳ phích điều hợp nào với các dụng cụ máy được nối đất (tiếp đất).** Các phích cắm còn nguyên vẹn và ổ cắm phù hợp sẽ giảm nguy cơ điện giật.
- Tránh để cơ thể tiếp xúc với các bề mặt nóng hoặc tiếp đất như đường ống, bộ tản nhiệt, bếp và tủ lạnh.** Nguy cơ bị điện giật sẽ tăng lên nếu cơ thể bạn được nối đất hoặc tiếp đất.
- Không để dụng cụ máy tiếp xúc với nước mưa hoặc trong điều kiện ẩm ướt.** Nước chảy vào dụng cụ máy sẽ làm tăng nguy cơ điện giật.
- Không sử dụng dây sai cách. Không bao giờ sử dụng dây để mang, kéo hoặc tháo phích cắm dụng cụ máy. Giữ dây tránh xa nguồn nhiệt, dầu, các mép sắc hoặc các bộ phận chuyển động.** Dây bị hỏng hoặc bị rơi sẽ làm tăng nguy cơ điện giật.
- Khi vận hành dụng cụ máy ngoài trời, hãy sử dụng dây kéo dài phù hợp cho việc sử dụng ngoài trời.** Việc dùng dây phù hợp cho việc sử dụng ngoài trời sẽ giảm nguy cơ điện giật.
- Nếu bất trước phải vận hành dụng cụ máy ở nơi ẩm ướt, hãy sử dụng nguồn cấp điện được bảo**

vệ bằng thiết bị dòng điện dư (RCD). Sử dụng RCD sẽ giảm nguy cơ điện giật.

- Chúng tôi luôn khuyên bạn sử dụng nguồn cấp điện qua RCD có dòng điện dư định mức 30 mA hoặc thấp hơn.

An toàn cá nhân

- Luôn tỉnh táo, quan sát những việc bạn đang làm và sử dụng những phán đoán theo kinh nghiệm khi vận hành dụng cụ máy. Không sử dụng dụng cụ máy khi bạn đang mệt mỏi hoặc chịu ảnh hưởng của ma túy, chất cồn hay thuốc. Chỉ một khoảnh khắc không tập trung khi đang vận hành dụng cụ máy cũng có thể dẫn đến thương tích cá nhân nghiêm trọng.
- Sử dụng thiết bị bảo hộ cá nhân. Luôn đeo thiết bị bảo vệ mắt. Các thiết bị bảo hộ như mặt nạ chống bụi, giày an toàn không trượt, mũ bảo hộ hay thiết bị bảo vệ thính giác được sử dụng trong các điều kiện thích hợp sẽ giúp giảm thương tích cá nhân.
- Tránh khởi động vô tình dụng cụ máy. Đảm bảo công tắc ở vị trí off (tắt) trước khi nối nguồn điện và/hoặc bộ pin, cắm hoặc mang dụng cụ máy. Việc mang dụng cụ máy khi đang đặt ngón tay ở vị trí công tắc hoặc cấp điện cho dụng cụ máy khi công tắc đang ở vị trí bật có thể dẫn đến tai nạn.
- Tháo mọi khoá hoặc chia vận điều chỉnh trước khi bật dụng cụ máy. Việc chia vận hoặc khoá vẫn còn gắn vào bộ phận quay của dụng cụ máy có thể dẫn đến thương tích cá nhân.
- Không với quá cao. Luôn giữ thăng bằng tốt và có chỗ để chân phù hợp. Điều này cho phép kiểm soát dụng cụ máy tốt hơn trong những tình huống bất ngờ.
- Ăn mặc phù hợp. Không mặc quần áo rộng hay đeo đồ trang sức. Giữ tóc, quần áo và găng tay tránh xa các bộ phận chuyển động. Quần áo rộng, đồ trang sức hay tóc dài có thể mắc vào các bộ phận chuyển động.
- Nếu thiết bị này được cung cấp kèm theo các bộ phận để nối thiết bị hút và gom bụi, hãy đảm bảo chúng được kết nối và sử dụng hợp lý. Sử dụng thiết bị gom bụi có thể làm giảm những mối nguy hiểm liên quan đến bụi.

Sử dụng và bảo quản dụng cụ máy

- Không ép buộc dụng cụ máy. Sử dụng đúng dụng cụ máy cho công việc của bạn. Sử dụng đúng dụng cụ máy sẽ giúp thực hiện công việc tốt hơn và an toàn hơn theo giá trị định mức được thiết kế của dụng cụ máy đó.
- Không sử dụng dụng cụ máy nếu công tắc không bật và tắt được dụng cụ máy đó. Mọi dụng cụ máy không thể điều khiển được bằng công tắc đều rất nguy hiểm và cần được sửa chữa.
- Rút phích cắm ra khỏi nguồn điện và/hoặc tháo bộ pin khỏi dụng cụ máy trước khi thực hiện bất kỳ công việc điều chỉnh, thay đổi phụ tùng hay cất giữ dụng cụ máy nào. Những biện pháp an toàn phòng ngừa này sẽ giảm nguy cơ khởi động vô tình dụng cụ máy.
- Cất giữ các dụng cụ máy không sử dụng ngoài tầm với của trẻ em và không cho bất kỳ người nào không có hiểu biết về dụng cụ máy hoặc

các hướng dẫn này vận hành dụng cụ máy.

Dụng cụ máy sẽ rất nguy hiểm nếu được sử dụng bởi những người dùng chưa qua đào tạo.

- Bảo dưỡng dụng cụ máy. Kiểm tra tình trạng lịch trực hoặc bó kẹp của các bộ phận chuyển động, hiện tượng nứt vỡ của các bộ phận và mọi tình trạng khác mà có thể ảnh hưởng đến hoạt động của dụng cụ máy. Nếu có hỏng hóc, hãy sửa chữa dụng cụ máy trước khi sử dụng. Nhiều tai nạn xảy ra là do không bảo dưỡng tốt dụng cụ máy.
 - Luôn giữ cho dụng cụ cắt được sắc và sạch. Những dụng cụ cắt được bảo dưỡng đúng cách có mép cắt sắc sẽ ít bị kẹt hơn và dễ điều khiển hơn.
 - Sử dụng dụng cụ máy, phụ tùng và đầu dụng cụ cắt, v.v... theo các hướng dẫn này, có tính đến điều kiện làm việc và công việc được thực hiện. Việc sử dụng dụng cụ máy cho các công việc khác với công việc dự định có thể gây nguy hiểm.
- #### **Bảo dưỡng**
- Đề nghị viên sửa chữa đủ trình độ bảo dưỡng dụng cụ máy của bạn và chỉ sử dụng các bộ phận thay thế đồng nhất. Việc này sẽ đảm bảo duy trì được độ an toàn của dụng cụ máy.
 - Tuân theo hướng dẫn dành cho việc bôi trơn và thay phụ tùng.
 - Giữ tay cầm khô, sạch, không dính dầu và mỡ.

CẢNH BÁO AN TOÀN VỀ MÁY MÀI KHUÔN

GEB034-9

Các cảnh báo an toàn phổ biến cho thao tác mài:

- Dụng cụ máy này được sử dụng như một máy mài. Đọc tất cả các cảnh báo an toàn, hướng dẫn, minh họa và thông số kỹ thuật được cung cấp cùng với dụng cụ máy này. Việc không tuân theo tất cả các hướng dẫn được liệt kê dưới đây có thể dẫn đến điện giật, hỏa hoạn và/hoặc thương tích nghiêm trọng.
- Không dùng dụng cụ máy này để thực hiện các công việc như đánh bóng, mài bằng chổi mài, mài bóng hoặc cắt. Sử dụng dụng cụ máy này cho các hoạt động không theo thiết kế có thể gây nguy hiểm và dẫn đến thương tích cá nhân.
- Không sử dụng các phụ tùng không được thiết kế riêng và không được nhà sản xuất dụng cụ khuyến dùng. Đó là vì phụ tùng có thể được lắp vào dụng cụ máy của bạn nhưng lại không đảm bảo vận hành an toàn.
- Tốc độ định mức của phụ tùng phải bằng hoặc lớn hơn tốc độ tối đa được ghi trên dụng cụ máy. Phụ tùng hoạt động nhanh hơn tốc độ định mức có thể bị vỡ và văng ra.
- Đường kính ngoài và độ dày của phụ tùng phải nằm trong định mức công suất của dụng cụ máy. Không thể điều khiển phù hợp phụ tùng có kích thước không đúng.
- Kích cỡ tâm của phụ tùng phải hoàn toàn khớp với bộ phận hãm của dụng cụ máy. Những phụ tùng không khớp với phần cứng lắp đặt của dụng cụ máy sẽ mất cân bằng, rung quá mức và có thể gây ra mất kiểm soát.
- Những phụ tùng được gắn vào trục tâm phải được lắp hoàn toàn vào bộ phận hãm hoặc mâm

- cặp.** Nếu trục tâm được giữ không đủ chặt và/hoặc phần nhô ra của đĩa mài quá dài, phụ tùng được gắn có thể bị lỏng và bị văng ra ở vận tốc cao.
8. **Không sử dụng phụ tùng đã hỏng.** Trước mỗi lần sử dụng, hãy kiểm tra phụ tùng chẳng hạn như bánh mài để xem có phoi bám hoặc vết nứt không. Nếu dụng cụ máy hoặc phụ tùng bị rơi, hãy kiểm tra xem có bị hỏng không hoặc lắp phụ tùng còn nguyên. Sau khi kiểm tra và lắp phụ tùng, bạn và những người ngoài nên tránh xa mặt phẳng quay của phụ tùng và chạy dụng cụ máy ở tốc độ không tải tối đa trong vòng một phút. Phụ tùng bị hỏng thường bị vỡ trong thời gian chạy thử này.
 9. **Đeo thiết bị bảo hộ cá nhân.** Tùy vào công việc, hãy sử dụng mặt nạ, kính bảo hộ hoặc kính an toàn. Khi cần, hãy đeo mặt nạ chống bụi, thiết bị bảo vệ tai, găng tay và tấm chắn bảo vệ có khả năng ngăn các mảnh vụn phoi hoặc bột mài nhỏ. Thiết bị bảo vệ mắt phải có khả năng ngăn mảnh vụn bay do các hoạt động khác nhau tạo ra. Mặt nạ chống bụi hoặc mặt nạ phòng độc phải có khả năng lọc các hạt do hoạt động tạo ra. Tiếp xúc lâu với tiếng ồn cường độ cao có thể gây ra mất khả năng nghe.
 10. **Giữ những người ngoài tránh xa khu vực làm việc ở khoảng an toàn.** Bất kỳ ai vào khu vực làm việc đều phải đeo thiết bị bảo vệ cá nhân. Mảnh vụn phoi hoặc phụ tùng bị vỡ có thể bay xa và gây thương tích bên ngoài khu vực vận hành.
 11. **Chỉ cầm dụng cụ máy ở phần tay cầm được cách điện khi thực hiện công việc mà phụ tùng cắt có thể tiếp xúc với dây điện ngầm hoặc dây của chính dụng cụ.** Phụ tùng cắt tiếp xúc với dây dẫn "có điện" có thể làm các bộ phận kim loại trần của dụng cụ điện "tiếp điện" và có thể làm người vận hành bị điện giật.
 12. **Luôn giữ chặt dụng cụ bằng tay trong khi khởi động.** Mô men xoắn phần lực của mô tơ, khi mô tơ tăng tốc tối đa, có thể khiến dụng cụ bị xoay.
 13. **Sử dụng các kẹp để đỡ phoi khi gia công.** Không được giữ phoi nhỏ bằng một tay và dụng cụ bằng tay khác trong khi sử dụng. Kẹp phoi nhỏ cho phép bạn sử dụng cả hai tay để điều khiển dụng cụ. Vật liệu hình tròn như cần chốt, ống thường có xu hướng cuộn tròn khi được cắt và có thể khiến mũi cắt mắc kẹt hoặc văng về phía bạn.
 14. **Đặt đúng cách xa phụ tùng đang quay.** Nếu bạn mất khả năng kiểm soát, dây có thể bị cắt hoặc bị vướng vào và bàn tay và cánh tay bạn có thể bị kéo vào phụ tùng đang quay.
 15. **Không đặt dụng cụ máy xuống đến khi phụ tùng đã dừng hoàn toàn.** Phụ tùng đang quay có thể găm vào bề mặt và kéo dụng cụ máy ra khỏi tầm điều khiển của bạn.
 16. **Sau khi thay đổi mũi cắt hoặc tiến hành điều chỉnh, đảm bảo đai ốc bám, mâm cặp hoặc bất kỳ thiết bị điều chỉnh nào được siết chặt.** Các thiết bị điều chỉnh bị lỏng có thể dịch chuyển đột ngột, gây mất kiểm soát, các bộ phận quay lỏng sẽ bị văng mạnh.
 17. **Không chạm dụng cụ máy khi bạn đang cầm ở một phía.** Tiếp xúc bất ngờ với phụ tùng đang

quay có thể vướng vào quần áo, làm phụ tùng va vào người bạn.

18. **Thường xuyên làm sạch lỗ thông gió của dụng cụ máy.** Quạt của mô tơ sẽ hút bụi vào bên trong vỏ máy và việc tích tụ quá nhiều kim loại dạng bột có thể gây ra các nguy cơ về điện.
19. **Không vận hành dụng cụ máy gần các vật liệu dễ cháy.** Tia lửa điện có thể làm cháy những vật liệu này.
20. **Không sử dụng phụ tùng cần chất làm mát dạng lỏng.** Sử dụng nước hoặc các chất làm mát dạng lỏng khác có thể gây ra điện giật.

Lực đẩy ngược và cảnh báo liên quan

Đây ngược là hiện tượng phản ứng lại đột ngột với phụ tùng đang quay bị kẹt hoặc vướng. Việc kẹt hoặc vướng có thể gây ra ngừng nhanh phụ tùng đang quay, việc này sẽ làm cho dụng cụ máy mất kiểm soát bị ép vào hướng ngược với hướng quay của phụ tùng. Ví dụ: nếu đĩa mài bị vướng hoặc kẹt vào phoi, cạnh của đĩa mài đang ở chỗ kẹt có thể cắm vào bề mặt vật liệu làm cho đĩa mài nảy ra hoặc văng ra. Đĩa mài có thể nảy ra xa hoặc về phía người vận hành, tùy vào hướng chuyển động của đĩa mài tại điểm bị kẹt. Đĩa mài cũng có thể bị vỡ trong những điều kiện này. Lực đẩy ngược là do sử dụng sai dụng cụ máy và/hoặc quy trình hoặc điều kiện vận hành không chính xác và có thể tránh được bằng cách thực hiện các biện pháp phòng ngừa thích hợp như dưới đây.

- a) **Cắm chắc dụng cụ máy và định vị cơ thể và cánh tay để cản lại lực đẩy ngược.** Người vận hành có thể kiểm soát lực đẩy ngược, nếu thực hiện các biện pháp phòng ngừa thích hợp.
- b) **Đặc biệt chú ý khi làm việc với các góc, cạnh sắc, v.v...** Tránh làm nảy và kẹt phụ tùng. Các góc, cạnh sắc hoặc việc bị nảy lên có xu hướng làm kẹt phụ tùng đang quay và gây ra mất kiểm soát hoặc lực đẩy ngược.
- c) **Không lắp lưỡi của có răng.** Những lưỡi này tạo ra lực đẩy ngược thường xuyên và mất khả năng kiểm soát.
- d) **Luôn đưa mũi cắt vào vật liệu theo cùng hướng với cạnh cắt rời ra từ vật liệu (cùng hướng với phoi văng ra).** Đưa dụng cụ vào sai hướng khiến cạnh cắt của mũi cắt trượt khỏi phoi gia công và kéo dụng cụ theo hướng đưa vào này.

Cảnh báo an toàn có thể cho công việc mài:

- a) **Chỉ sử dụng loại bánh mài được khuyến nghị cho dụng cụ máy của bạn và chỉ cho các ứng dụng được khuyến nghị.**
- b) **Không đặt tay bạn thẳng hàng với đĩa mài và phía sau bánh mài.** Khi đĩa, đang hoạt động, chuyển động ra khỏi tay bạn, lực đẩy ngược tiềm tàng có thể đẩy đĩa đang quay và dụng cụ máy hướng thẳng vào bạn.

Cảnh báo an toàn bổ sung:

21. **Dụng cụ được thiết kế để sử dụng với các điểm đĩa mài gắn kết (đá mài) được gắn vĩnh viễn trên trục tâm (thân) không có ren, bằng phẳng.**
22. **Đảm bảo rằng đĩa mài không tiếp xúc với phoi gia công trước khi bật công tắc.**
23. **Trước khi sử dụng dụng cụ này trên phoi gia công thực, hãy để dụng cụ chạy trong ít phút. Theo dõi xem có hiện tượng rung hoặc lắc**

không, đó là biểu hiện đĩa mài bị lấp lũng hoặc mất cân bằng.

24. Sử dụng bề mặt đĩa mài được chỉ định để mài.
25. Cần thận với tia lửa bắn ra. Cấm dụng cụ sao cho các tia lửa điện không bắn vào bạn và người khác hoặc các vật liệu dễ cháy.
26. Không để mặc dụng cụ hoạt động. Chỉ vận hành dụng cụ khi cầm trên tay.
27. Không chạm vào phôi gia công ngay sau khi gia công; nó có thể rất nóng và có thể gây bỏng da.
28. Tuân thủ các hướng dẫn của nhà sản xuất để lắp và sử dụng đĩa mài đúng cách. Sử dụng và cất giữ đĩa mài cẩn thận.
29. Kiểm tra để chắc chắn rằng phôi gia công được gá đỡ đúng cách.
30. Nếu nơi làm việc rất nóng và ẩm hay bị nhiễm bẩn nặng với bụi dẫn điện, hãy sử dụng cầu dao ngắt mạch (30 mA) để đảm bảo an toàn cho người vận hành.
31. Không sử dụng dụng cụ này trên bất kỳ loại vật liệu nào có chứa amiang.
32. Luôn đảm bảo bạn có chỗ đặt chân vững chắc. Đảm bảo rằng không có ai ở bên dưới khi sử dụng dụng cụ ở trên cao.

LƯU GIỮ CÁC HƯỚNG DẪN NÀY.

⚠ CẢNH BÁO:

KHÔNG được để sự thoải mái hay quen thuộc với sản phẩm (có được do sử dụng nhiều lần) thay thế việc tuân thủ nghiêm ngặt các quy định về an toàn dành cho sản phẩm này. VIỆC DÙNG SAI hoặc không tuân theo các quy định về an toàn được nêu trong tài liệu hướng dẫn này có thể dẫn đến thương tích cá nhân nghiêm trọng.

MÔ TẢ CHỨC NĂNG

⚠ THẬN TRỌNG:

- Luôn chắc chắn đã tắt và tháo phích cắm dụng cụ trước khi điều chỉnh hoặc kiểm tra chức năng trên dụng cụ.

Hoạt động của công tắc (Hình 1)

⚠ THẬN TRỌNG:

- Trước khi cắm điện cho dụng cụ, luôn kiểm tra xem công tắc trượt có vận hành đúng cách và trở về vị trí "OFF" (TẮT) khi phần sau của công tắc trượt được ấn xuống không.

Để khởi động dụng cụ, trượt công tắc trượt về vị trí "I (ON)" (BẬT). Khi vận hành liên tục, ấn vào phần trước của công tắc trượt để khóa lại.

Để dừng dụng cụ, ấn vào phần sau của công tắc trượt, rồi trượt về vị trí "O (OFF)" (TẮT).

Núm điều chỉnh tốc độ (Hình 2)

Có thể thay đổi tốc độ của dụng cụ bằng cách xoay núm điều chỉnh tốc độ đến số cho trước từ 1 đến 5. Dụng cụ đạt được tốc độ lớn hơn khi xoay núm theo hướng số 5. Dụng cụ đạt được tốc độ nhỏ hơn khi xoay núm theo hướng số 1.

Tham khảo bảng dưới đây để biết mối liên hệ giữa cài đặt số trên núm và tốc độ dụng cụ gắn đúng.

	GD0800C	GD0810C
Số	min ⁻¹ (RPM)	min ⁻¹ (RPM)
1-2	7.000 - 10.000	1.800 - 2.400
2-3	10.000 - 17.000	2.400 - 4.100
3-4	17.000 - 24.000	4.100 - 5.800
4-5	24.000 - 28.000	5.800 - 7.000

006478

⚠ THẬN TRỌNG:

- Nếu dụng cụ vận hành liên tục ở tốc độ thấp trong một thời gian dài thì động cơ sẽ bị quá tải, dẫn đến hỏng dụng cụ.
- Chỉ có thể xoay núm điều chỉnh tốc độ tối đa tới 5 và trở lại 1. Không được cố xoay núm điều chỉnh tốc độ quá 5 hoặc 1, nếu không chức năng điều chỉnh tốc độ có thể không hoạt động nữa.

QUÁ TRÌNH LẮP RÁP

⚠ THẬN TRỌNG:

- Luôn chắc chắn đã tắt và tháo phích cắm dụng cụ trước khi tiến hành bất kỳ công việc nào trên dụng cụ.

Lắp tay cầm bên

Luôn sử dụng tay cầm bên để đảm bảo vận hành an toàn. (Hình 3)

Lắp tay cầm bên lên thân máy, rồi vận chặt tay cầm bằng cách xoay theo chiều kim đồng hồ ở vị mong muốn.

Lắp hoặc tháo đầu mài (Hình 4)

Nới lỏng đai ốc hãm và lắp đầu mài vào đai ốc hãm.

Sử dụng cờ lê nhỏ hơn để giữ trục quay và cờ lê lớn hơn để siết chặt đai ốc hãm.

Không nên lắp đầu mài cách xa đai ốc hãm trên 8 mm.

Việc vượt quá khoảng cách này có thể gây ra rung động hoặc gãy trục.

Để tháo đầu mài, hãy làm ngược lại quy trình lắp.

(Hình 5)

⚠ THẬN TRỌNG:

- Sử dụng đúng kích thước côn hãm cho đầu mài bạn định sử dụng.

VẬN HÀNH (Hình 6)

Bật dụng cụ mà không để đầu mài tiếp xúc với phôi gia công và đợi cho tới khi đầu mài đạt tới tốc độ tối đa.

Sau đó, đặt nhẹ nhàng đầu mài vào phôi gia công. Để có bề mặt tốt, hãy di chuyển chậm dụng cụ về bên trái.

⚠ THẬN TRỌNG:

- Tác dụng áp lực nhẹ lên dụng cụ. Áp lực quá lớn lên dụng cụ sẽ chỉ tạo ra bề mặt kém chất lượng và quá tải mô tơ.

BẢO DƯỠNG

⚠ THẬN TRỌNG:

- Luôn đảm bảo tắt dụng cụ và rút phích cắm trước khi thực hiện kiểm tra hoặc bảo dưỡng.

- Không bao giờ dùng xăng, ét xăng, dung môi, cồn hoặc hóa chất tương tự. Có thể xảy ra hiện tượng mất màu, biến dạng hoặc nứt vỡ.

Để duy trì ĐỘ AN TOÀN và ĐỘ TIN CẬY của sản phẩm, việc sửa chữa, kiểm tra và thay chổi than cũng như mọi bảo dưỡng hoặc điều chỉnh khác đều phải do Trung tâm Bảo trì Được uỷ quyền của Makita thực hiện, luôn sử dụng các bộ phận thay thế của Makita.

PHỤ KIỆN TỰY CHỌN

THẬN TRỌNG:

- Các phụ tùng hoặc phụ kiện này được khuyến nghị sử dụng với dụng cụ Makita của bạn được chỉ định trong tài liệu này. Việc sử dụng bất kỳ phụ tùng hoặc phụ kiện nào khác có thể dẫn đến rủi ro thương tích cho con người. Chỉ sử dụng phụ tùng hoặc phụ kiện với mục đích được nêu.

Nếu bạn cần bất kỳ sự hỗ trợ nào để biết thêm chi tiết về các phụ tùng này, hãy hỏi Trung tâm Bảo trì Makita tại địa phương của bạn.

- Đầu mài
- Bộ côn hãm (3 mm, 6 mm, 1/4", 1/8")
- Giá đỡ kẹp
- Cờ lê 13
- Cờ lê 19
- Bộ tay cầm bên

CHÚ Ý:

- Một số mục trong danh sách có thể được bao gồm trong gói dụng cụ làm các phụ kiện chuẩn. Các mục này ở mỗi quốc gia có thể khác nhau.

คำอธิบายเกี่ยวกับมุมมองทั่วไป

- | | | |
|-----------------------------|------------------|-------------------------|
| 1. สวิตช์เลื่อน | 4. ประแจเบอร์ 19 | 7. มากสุด 8 มม. (5/16") |
| 2. ตัวหมุนปรับระดับความเร็ว | 5. ประแจเบอร์ 13 | |
| 3. มือจับด้านข้าง | 6. น็อตคอลเลท | |

ข้อมูลทางเทคนิค

รุ่น	GD0800C	GD0810C
ขนาดคอลเลท	มากที่สุด 8 มม.	มากที่สุด 8 มม.
เส้นผ่าศูนย์กลางของจุดเจียสูงสุด	25 มม.	50 มม.
อัตราความเร็ว (n)/ ความเร็วขณะเดินเครื่องเปล่า (n ₀)	28,000 (นาที่ ⁻¹)	7,000 (นาที่ ⁻¹)
ความยาวทั้งหมด	371 มม.	371 มม.
น้ำหนักสุทธิ	1.7 กก.	1.7 กก.
ระดับความปลอดภัย	□/II	

- เนื่องจากการวิจัยและการพัฒนาของเราเป็นแผนงานต่อเนื่อง ดังนั้นข้อมูลเทคนิคที่ระบุในเอกสารนี้อาจมีการเปลี่ยนแปลงโดยไม่ต้องแจ้งให้ทราบล่วงหน้า
- ข้อมูลเทคนิคอาจแตกต่างกันในแต่ละประเทศ
- น้ำหนักตามข้อบังคับของ EPTA 01/2003

สัญลักษณ์

END202-8

ต่อไปนี้เป็นสัญลักษณ์ที่ใช้สำหรับอุปกรณ์ โปรดศึกษาความหมายของสัญลักษณ์ให้เข้าใจก่อนการใช้งาน



..... อ่านคู่มือการใช้งาน



..... จำนวนหุ้มสองชั้น



..... สวมแว่นตานิรภัย

วัตถุประสงค์การใช้งาน

ENE050-1

เครื่องมือนี้ผลิตขึ้นเพื่อใช้เจียวัสดุที่ทำจากเหล็ก หรือเพื่อลบคมจากวัสดุหล่อ

การจ่ายไฟ

ENF002-2

ต้องเชื่อมต่อเครื่องมือกับเครื่องจ่ายไฟที่มีแรงเคลื่อนไฟฟ้าตามที่มีระบุไว้ในป้ายข้อมูลเครื่องจักร และจะต้องใช้ไฟฟ้ากระแสสลับแบบเฟสเดียวเท่านั้น เครื่องนี้มีจำนวนหุ้มสองชั้นดังนั้นจึงสามารถใช้เสียบเข้ากับไฟฟ้าที่ไม่มีสายดินได้

คำเตือนด้านความปลอดภัยสำหรับ
เครื่องมือไฟฟ้าทั่วไป

GEA005-3

⚠ คำเตือน

อ่านคำเตือนด้านความปลอดภัยและคำแนะนำทั้งหมด

การไม่ปฏิบัติตามคำเตือนและคำแนะนำดังกล่าวอาจส่งผลให้เกิดไฟฟ้าช็อต ไฟไหม้ และ/หรือได้รับบาดเจ็บอย่างร้ายแรง

เก็บรักษาคำเตือนและคำแนะนำทั้งหมดไว้เป็นข้อมูลอ้างอิงในอนาคต

คำว่า "เครื่องมือไฟฟ้า" ในคำเตือนนี้ หมายถึง เครื่องมือไฟฟ้า (มีสาย) ที่ทำงานโดยใช้กระแสไฟฟ้า หรือเครื่องมือไฟฟ้า (ไร้สาย) ที่ทำงานโดยใช้แบตเตอรี่

ความปลอดภัยของพื้นที่ทำงาน

- ดูแลพื้นที่ทำงานให้มีความสะอาดและมีแสงไฟสว่าง พื้นที่ที่ระเกะระกะหรือมืดทึบอาจนำไปสู่การเกิดอุบัติเหตุได้
- อย่าใช้งานเครื่องมือไฟฟ้าในสภาพที่อาจเกิดการระเบิด เช่น ในสถานที่ที่มีของเหลว ก๊าซ หรือฝุ่นผงที่มีคุณสมบัติไวไฟ เครื่องมือไฟฟ้าจะสร้างประกายไฟเพื่อจุดชนวนฝุ่นผงหรือก๊าซดังกล่าว
- ดูแลไม่ให้มีเด็ก ๆ หรือบุคคลอื่นอยู่ในบริเวณที่กำลังใช้เครื่องมือไฟฟ้า การมีสิ่งรบกวนสมาธิอาจทำให้คุณสูญเสียการควบคุม

ความปลอดภัยด้านไฟฟ้า

- ปลั๊กของเครื่องมือไฟฟ้าต้องพอดีกับตัวรับ อย่าดัดแปลงปลั๊กไม่ว่ากรณีใด ๆ อย่าใช้ปลั๊กอะแดปเตอร์กับเครื่องมือไฟฟ้าที่ต่อสายดิน (กราวด์) ปลั๊กที่ไม่ถูกดัดแปลงและตัวรับไฟฟ้าที่เข้ากันพอดีจะช่วยลดความเสี่ยงของการเกิดไฟฟ้าช็อต
- ระวังอย่าให้ร่างกายสัมผัสกับพื้นผิวที่ต่อสายดิน เช่น ท่อเครื่องทำความร้อน เครื่องใช้ไฟฟ้าในครัว และตู้เย็น มีความเสี่ยงที่จะเกิดไฟฟ้าช็อตสูงขึ้น หากร่างกายของคุณสัมผัสกับพื้น
- อย่าให้เครื่องมือไฟฟ้าถูกน้ำหรืออยู่ในสภาพเปียกชื้น น้ำที่ไหลเข้าไปในเครื่องมือไฟฟ้าจะเพิ่มความเสี่ยงของการเกิดไฟฟ้าช็อต
- อย่าใช้สายไฟอย่างไม่เหมาะสม อย่าใช้สายไฟเพื่อยกสิ่งหรือ ถอดปลั๊กเครื่องมือไฟฟ้า เก็บสายไฟให้ห่างจากความร้อน น้ำมัน ของมีคม หรือชิ้นส่วนที่เคลื่อนที่ สายที่ชำรุดหรือพันกันจะเพิ่มความเสี่ยงของการเกิดไฟฟ้าช็อต
- ขณะที่ใช้งานเครื่องมือไฟฟ้านอกอาคาร ควรใช้สายต่อพ่วงที่เหมาะสมกับงานภายนอกอาคาร การใช้สายที่เหมาะสมกับงานภายนอกอาคารจะลดความเสี่ยงของการเกิดไฟฟ้าช็อต
- หากต้องใช้งานเครื่องมือไฟฟ้าในสถานที่เปียกชื้น ให้ใช้อุปกรณ์ป้องกันกระแสไฟรั่ว (RCD) การใช้ RCD จะลดความเสี่ยงของการเกิดไฟฟ้าช็อต
- ขอแนะนำให้ใช้แหล่งจ่ายไฟผ่าน RCD ที่มีกระแสไฟรั่วในอัตราไม่เกิน 30 mA เสมอ

ความปลอดภัยส่วนบุคคล

- ให้ระมัดระวัง และสังเกตเสมอว่าคุณกำลังทำอะไรอยู่ และใช้สามัญสำนึกในขณะที่ใช้งานเครื่องมือไฟฟ้า อย่าใช้งานเครื่องมือไฟฟ้าในขณะที่คุณกำลังเหนื่อยหรือในสภาพที่มึนเมาจากยาเสพติด เครื่องดื่มแอลกอฮอล์ หรือการไต่ยา ช่วงเวลาที่ขาดความระมัดระวังเมื่อกำลังใช้งานเครื่องมือไฟฟ้าอาจทำให้คุณได้รับบาดเจ็บอย่างรุนแรง
- ใช้อุปกรณ์ป้องกันส่วนบุคคล สวมแว่นตาป้องกันเสมอ อุปกรณ์ป้องกัน เช่น หน้ากากกันฝุ่น รองเท้านิรภัยกันลื่น หมวกนิรภัย หรือเครื่องป้องกันการได้ยินที่ใช้ในสภาพที่เหมาะสมจะช่วยลดการบาดเจ็บ
- ป้องกันไม่ให้เปิดใช้งานอย่างไม่ตั้งใจ ตรวจสอบว่าสวิตช์อยู่ในตำแหน่งปิดก่อนเชื่อมต่อกับแหล่งจ่ายไฟ และ/หรือ ชุดแบตเตอรี่ หรือก่อนการยกหรือถือเครื่องมือ การถอดนิวมือบริเวนสวิตช์เพื่อถือเครื่องมือไฟฟ้า หรือการชาร์จไฟเครื่องมือไฟฟ้าในขณะที่เปิดสวิตช์อยู่อาจนำไปสู่การเกิดอุบัติเหตุ

- นำกฎแฉปรับแต่งหรือประแจออกก่อนที่จะเปิดเครื่องมือไฟฟ้า ประแจหรือคีย์ที่เสียบค้างอยู่ในชิ้นส่วนที่หมุนได้ของเครื่องมือไฟฟ้าอาจทำให้คุณได้รับบาดเจ็บ
- อย่าทำงานในระบะที่มืดเอี่ยม จัดทำการขึ้นและการทรงตัวให้เหมาะสมตลอดเวลา เพราะจะทำให้ควบคุมเครื่องมือไฟฟ้าได้ดีขึ้นในสถานการณ์ที่ไม่คาดคิด
- แต่งกายให้เหมาะสม อย่าสวมเครื่องแต่งกายที่หลวมเกินไป หรือสวมเครื่องประดับ คุณไม่ควรใส่เส้นผม เสื้อผ้า และถุงมืออยู่ใกล้ชิ้นส่วนที่เคลื่อนที่ เสื้อผ้ารุ่มร่าม เครื่องประดับ หรือผมที่มีความยาวอาจเข้าไปติดในชิ้นส่วนที่เคลื่อนที่
- หากมีการจัดอุปกรณ์สำหรับดูดและจัดเก็บฝุ่นไว้ในสถานที่ ให้ตรวจสอบว่าได้เชื่อมต่อและใช้งานอุปกรณ์นั้นอย่างเหมาะสม การใช้เครื่องดูดและจัดเก็บฝุ่นจะช่วยลดอันตรายที่เกิดจากฝุ่นผงได้

การใช้และดูแลเครื่องมือไฟฟ้า

- อย่าฝืนใช้เครื่องมือไฟฟ้า ใช้เครื่องมือไฟฟ้าที่เหมาะสมกับการใช้งานของคุณ เครื่องมือไฟฟ้าที่เหมาะสมจะทำให้ได้งานที่มีประสิทธิภาพและปลอดภัยกว่าตามขีดความสามารถของเครื่องที่ได้รับการออกแบบมา
- อย่าใช้เครื่องมือไฟฟ้า หากสวิตช์ไม่สามารถเปิดปิดได้ เครื่องมือไฟฟ้าที่ใช้สวิตช์ควบคุมไม่ได้จัดเป็นอันตรายและต้องได้รับการซ่อมแซม
- ถอดปลั๊กจากแหล่งจ่ายไฟ และ/หรือชุดแบตเตอรี่ออกจากเครื่องมือไฟฟ้าก่อนทำการปรับแต่ง เปลี่ยนอุปกรณ์เสริม หรือจัดเก็บเครื่องมือไฟฟ้า วิธีการป้องกันด้านความปลอดภัยดังกล่าวจะช่วยลดความเสี่ยงของการเปิดใช้งานเครื่องมือไฟฟ้าอย่างไม่ตั้งใจ
- จัดเก็บเครื่องมือไฟฟ้าที่ไม่ได้ใช้งานให้ห่างจากมือเด็ก และอย่าอนุญาตให้บุคคลที่ไม่คุ้นเคยกับเครื่องมือไฟฟ้า หรือคำแนะนำเหล่านี้ใช้งานเครื่องมือไฟฟ้า เครื่องมือไฟฟ้าจะเป็นอันตรายเมื่ออยู่ในมือของผู้ที่ไม่ได้รับการฝึกอบรม
- การดูแลเครื่องมือไฟฟ้า ตรวจสอบการประกอบที่ไม่ถูกต้องหรือการเชื่อมต่อของชิ้นส่วนที่เคลื่อนที่ การแตกหักของชิ้นส่วน และสภาพอื่น ๆ ที่อาจส่งผลกระทบต่อการทำงานของเครื่องมือไฟฟ้า หากมีความเสียหาย ให้นำเครื่องมือไฟฟ้าไปซ่อมแซมก่อนการใช้งาน อุบัติเหตุจำนวนมากเกิดจากการดูแลรักษาเครื่องมือไฟฟ้าอย่างไม่ถูกต้อง
- ล้างความคมและทำความสะอาดเครื่องมือการตัดอยู่เสมอ เครื่องมือการตัดที่มีการดูแลอย่างถูกต้องและมีขอบการตัดคมมักจะมีปัญหาติดขัดน้อยและควบคุมได้ง่ายกว่า
- ใช้เครื่องมือไฟฟ้า อุปกรณ์เสริม และวัสดุสิ้นเปลือง ฯลฯ ตามคำแนะนำที่ฉลาก พิจารณาสภาพการทำงานและ

งานที่จะลงมือทำ การใช้เครื่องมือไฟฟ้าเพื่อทำงานอื่น นอกเหนือจากที่กำหนดไว้ อาจทำให้เกิดอันตราย

การบริการ

25. นำเครื่องมือไฟฟ้าเข้ารับบริการจากช่างซ่อมที่ผ่านการรับรองโดยใช้ชื่อและแบบเดียวกันเท่านั้น เพราะจะทำให้การใช้เครื่องมือไฟฟ้ามีความปลอดภัย
26. ปฏิบัติตามคำแนะนำในการหล่อลื่นและการเปลี่ยนอุปกรณ์เสริม
27. ดูแลมือจับให้แห้ง สะอาด และไม่มีน้ำมันและจาระบีเปื้อน

คำเตือนด้านความปลอดภัยเกี่ยวกับเครื่องเจียแกน

GEB034-9

คำเตือนด้านความปลอดภัยทั่วไปสำหรับการเจีย:

1. เครื่องมือไฟฟ้านี้ผลิตขึ้นเพื่อใช้ทำงานเป็นเครื่องเจีย อ่านคำเตือนด้านความปลอดภัย คำแนะนำ ภาพประกอบ และข้อมูลทางเทคนิคทั้งหมดที่มีมาพร้อมกับเครื่องมือไฟฟ้านี้ การไม่ปฏิบัติตามคำแนะนำทั้งหมดที่แสดงอยู่ด้านล่างอาจส่งผลให้เกิดไฟฟ้าช็อต ไฟไหม้ และ/หรือได้รับบาดเจ็บอย่างร้ายแรง
2. ไม่แนะนำให้ใช้เครื่องมือไฟฟ้านี้สำหรับการทำงานบางอย่าง เช่น การพันทอ การใช้แรงกด การขัดเงา หรือการตัด การใช้งานเครื่องมือนี้นอกเหนือจากวัตถุประสงค์ที่ได้ออกแบบมาอาจก่อให้เกิดอันตรายและทำให้ได้รับบาดเจ็บ
3. อย่าใช้อุปกรณ์เสริมที่ไม่ได้ออกแบบมาโดยเฉพาะและ ไม่แนะนำจากผู้ผลิตเครื่องมือนี้ แม้ว่าอุปกรณ์เสริมนี้จะสามารถประกอบเข้ากับเครื่องมือไฟฟ้าได้ แต่ก็ไม่ได้รับประกันว่าการใช้งานจะมีความปลอดภัย
4. อัตราความเร็วของอุปกรณ์เสริมต้องเท่ากับความเร็วสูงสุดที่ระบุไว้บนเครื่องมือไฟฟ้าเป็นอย่างน้อย อุปกรณ์เสริมที่ทำงานเร็วกว่าอัตราความเร็วของเครื่องอาจชำรุดแตกหักหรือกระเด็นออกมา
5. เส้นผ่านศูนย์กลางภายนอกและความหนาของอุปกรณ์เสริมต้องอยู่ภายในขนาดที่กำหนดของเครื่องมือไฟฟ้า อุปกรณ์เสริมที่มีขนาดไม่ถูกต้องจะทำให้ไม่สามารถควบคุมเครื่องได้อย่างเหมาะสม
6. ขนาดของอุปกรณ์เสริมต้องพอดีกับคอลเลกของเครื่องมือไฟฟ้า อุปกรณ์เสริมที่ไม่พอดีกับตัวยึดของเครื่องมือไฟฟ้าจะทำงานอย่างไม่สมดุล สั่นสะเทือนแรงเกินไป และอาจทำให้สูญเสียการควบคุมได้
7. ด้ามจับเสริมต้องสอดลงไปบนคอลเลกหรือหัวจับบนชุด หากด้ามจับถูกยึดไม่เพียงพอบนและ/หรือส่วนแขนงในเจียยาวเกินไป อุปกรณ์ยึดจับอาจจะหลวมและกระเด็นออกด้วยความเร็วสูง

8. อย่าใช้งานอุปกรณ์เสริมที่ชำรุดเสียหาย ก่อนการใช้งานทุกครั้ง ให้ตรวจสอบอุปกรณ์เสริมต่างๆ เช่น ใบเจีย ว่ามีการแตกหักและชำรุดเสียหายหรือไม่ หากเครื่องมือไฟฟ้าหรืออุปกรณ์เสริมร่วงหล่นกับพื้น ให้ตรวจสอบความชำรุดเสียหาย หรือประกอบอุปกรณ์เสริมที่ไม่ได้รับความเสียหาย หลังจากการตรวจสอบและการประกอบอุปกรณ์เสริม คุณและบุคคลรอบข้างควรอยู่ห่างจากระยะของอุปกรณ์เสริมที่กำลังหมุนอยู่ จากนั้นให้เปิดเครื่องมือไฟฟ้าด้วยความเร็วสูงสุดขณะเดินเครื่องเปล่า ประมาณหนึ่งนาที โดยปกติแล้ว อุปกรณ์เสริมที่ชำรุดเสียหายจะแตกหักออกมาในช่วงเวลาของการทดสอบนี้
9. สวมใส่อุปกรณ์ป้องกันส่วนบุคคล ใช้หน้ากากป้องกันหน้า แว่นครอบตาที่ฝุ่น/ลม หรือแว่นตาในรัศมีตามลักษณะการใช้งาน ให้สวมหมวกกันน็อก เครื่องป้องกันการได้ยิน ถุงมือและชุดป้องกันที่สามารถป้องกันเศษชิ้นงานหรือเศษผงจากการขัดถูชิ้นเล็ก ๆ ตามความเหมาะสม ชุดป้องกันสายตาต้องสามารถป้องกันเศษชิ้นงานที่ปลิวอยู่ในอากาศซึ่งเกิดจากการทำงานในรูปแบบต่างๆ หน้ากากกันฝุ่นหรือหน้ากากป้องกันพิษต้องสามารถกรองอนุภาคเล็กๆ ที่เกิดจากการทำงานของคุณ การได้ยินเสียงรบกวนที่มีความดังสูงติดต่อกันเป็นเวลานานอาจทำให้สูญเสียการได้ยิน
10. จัดให้บุคคลรอบข้างอยู่ในระยะห่างที่ปลอดภัยจากพื้นที่การทำงาน บุคคลที่เข้าสู่พื้นที่การทำงานต้องสวมใส่ชุดอุปกรณ์ป้องกัน เศษชิ้นงานหรืออุปกรณ์เสริมที่แตกหักอาจปลิวกระเด็นออกมา และเป็นสาเหตุให้ได้รับบาดเจ็บได้โดยตรงจากพื้นที่การทำงาน
11. ถือเครื่องมือไฟฟ้าบริเวณมือจับที่มีฉนวนหุ้มเท่านั้น ขณะทำงานอุปกรณ์เสริมที่ใช้ตัดอาจสัมผัสกับสายไฟที่ซ่อนอยู่หรือสายไฟของเครื่องเอง ขึ้นส่วนของเครื่องที่ตัดที่สัมผัสกับสายไฟที่ "มีกระแสไฟฟ้าไหลผ่าน" อาจทำให้ส่วนที่เป็นโลหะของเครื่องมือไฟฟ้าที่ไม่มีฉนวนหุ้ม "มีกระแสไฟฟ้าไหลผ่าน" และทำให้ผู้ปฏิบัติงานถูกไฟฟ้าช็อตได้
12. ยึดเครื่องมือให้แน่นด้วยมือของคุณเสมอในขณะเริ่มเดินเครื่อง แรงบิดสะท้อนของมอเตอร์ในขณะเร่งไปที่ความเร็วเต็มที่ สามารถทำให้เครื่องมือยึดติดได้
13. ใช้อั้วยึดเพื่อรองรับชิ้นงานเมื่อจำเป็น อย่ายึดชิ้นงานขนาดเล็กด้วยมือเดียว แล้วถือเครื่องด้วยมืออีกข้างขณะใช้งาน การยึดชิ้นงานขนาดเล็กไว้จะช่วยให้คุณสามารถใช้มือ (หนึ่งหรือสองข้าง) ของคุณควบคุมเครื่องมือได้ วัสดุกลม เช่น หัวควา, ท่อ หรือท่อกลมมีแนวโน้มที่จะหมุนในขณะตัด และอาจจะทำให้ดอกสว่านติดหรือกระเด็นเข้าหาคุณได้
14. จัดตำแหน่งให้สายไฟอยู่ห่างจากอุปกรณ์เสริมที่กำลังหมุนอยู่ หากคุณสูญเสียการควบคุม สายไฟอาจถูกตัดหรือ

ถูกเกี่ยวและทำให้มือหรือแขนของคุณถูกดึงเข้าไปในอุปกรณ์เสริมที่กำลังหมุนอยู่

15. **อย่าวางเครื่องมือไฟฟ้าลงจนกว่าอุปกรณ์เสริมจะหยุดทำงานจนสนิท** อุปกรณ์เสริมที่กำลังหมุนอยู่อาจสัมผัสตัวคุณพื่นและดึงเครื่องมือไฟฟ้าจนหลุดจากการควบคุมของคุณ
16. **หลังจากเปลี่ยนดอกสว่านหรือทำการเปลี่ยนแปลงใดๆ ตรวจสอบให้มั่นใจว่าน็อตคอลลเกต, หัวจับหรืออุปกรณ์การปรับอื่นๆ ได้ถูกยึดจนแน่นแล้ว** อุปกรณ์การปรับที่หลวมสามารถเลื่อนอย่างไม่คาดคิดได้ ทำให้หลุดการควบคุม, ชิ้นส่วนหมุนที่หลวมจะกระเด็นออกมา
17. **อย่าเปิดสวิตช์เครื่องมือไฟฟ้า ในขณะที่กำลังถือเครื่องหันมาทางตัวคุณเอง** การสัมผัสกับอุปกรณ์เสริมที่กำลังหมุนอยู่โดยไม่ตั้งใจอาจเกี่ยวเข้ากับเสื้อผ้าของคุณ ซึ่งจะดึงอุปกรณ์เสริมเข้าหาตัวคุณได้
18. **ให้ทำความสะอาดช่องระบายอากาศของเครื่องมือไฟฟ้าอย่างสม่ำเสมอ** พัดลมของมอเตอร์จะพัดเศษฝุ่นผงเข้าไปภายในเครื่องและการสะสมของเศษผงโลหะที่มากเกินไปอาจทำให้เกิดอันตรายจากไฟฟ้าช็อตได้
19. **อย่าใช้เครื่องมือไฟฟ้าใกล้วัตถุไวไฟ** ประกายไฟอาจทำให้วัตถุดังกล่าวลุกไหม้
20. **อย่าให้อุปกรณ์เสริมที่ต้องมีน้ำยาหล่อเย็น** การใช้ใช้น้ำหรือน้ำยาหล่อเย็นอื่นๆ อาจทำให้ได้รับอันตรายจากไฟฟ้าดูดหรือไฟฟ้าช็อต

การติดกลับและคำเตือนที่เกี่ยวข้อง

การติดกลับ คือ ปฏิกริยาสะท้อนกลับที่เกิดขึ้นทันทีจากการกระทบหรือการเกี่ยวตัวกับอุปกรณ์เสริมที่กำลังหมุนอยู่ การกระทบหรือการเกี่ยวตัวให้อุปกรณ์เสริมที่กำลังหมุนอยู่หยุดทำงานทันที ซึ่งเป็นสาเหตุให้เกิดแรงผลักดันเครื่องมือไฟฟ้าที่ไม่สามารถควบคุมได้ในทิศทางที่ตรงกันข้ามกับการหมุนของอุปกรณ์เสริม

ตัวอย่างเช่น หากใบเจียเกี่ยวหรือกระทบกับชิ้นงาน ขอบของใบเจียในจุดที่มีการกระทบจะกินลึกเข้าไปในพื้นผิวของวัสดุซึ่งจะเป็นสาเหตุให้ใบเจียป็นออกมาหรือติดกลับ ใบเจียอาจกระเด็นเข้าหาหรือออกจากผู้ใช้งาน ขึ้นอยู่กับทิศทางการเคลื่อนที่ของใบเจีย ณ จุดที่มีการกระทบ และอาจทำให้ใบเจียชำรุดแตกหักในสภาพดังกล่าว

การติดกลับคือผลจากการใช้งานเครื่องมือไฟฟ้าผิดวัตถุประสงค์และ/หรือขั้นตอนหรือสภาพการปฏิบัติงานไม่ถูกต้อง แต่สามารถหลีกเลี่ยงได้หากใช้มาตรการป้องกันที่เหมาะสมต่อไปนี้

- a) ถือมือจับของเครื่องมือไฟฟ้าอย่างมั่นคง และจัดตำแหน่งร่างกายและแขนของคุณให้สามารถต้านทานแรงติดกลับได้ ผู้ใช้งานสามารถควบคุมแรงติดกลับได้หากระมัดระวังอย่างเพียงพอ
- b) ใช้ความระมัดระวังเป็นพิเศษเมื่อกำลังทำงานกับมุมขอบที่มีความคม ฯลฯ หลีกเลี่ยงไม่ให้มีการกระดอนหรือการเกี่ยวของอุปกรณ์เสริม มุม ขอบที่มีความคมคม

หรือการติดกลับอาจเกี่ยวเข้ากับอุปกรณ์เสริมที่กำลังหมุนอยู่และเป็นสาเหตุให้สูญเสียการควบคุมหรือการติดกลับ

- c) **อย่าติดตั้งใบเลื่อยแบบซี่ ใบเลื่อยดังกล่าวมักทำให้เครื่องติดกลับหรือสูญเสียการควบคุม**
- d) **ป้อนดอกสว่านลงในเนื้อวัสดุในทิศทางเดียวกับที่ขอบการตัดออกจากเนื้อวัสดุเสมอ** (ซึ่งเป็นทิศทางเดียวกันกับที่เศษชิ้นส่วนถูกพ่นออก) การป้อนเครื่องมือในทิศทางที่ผิดจะทำให้ขอบการตัดของดอกสว่านเป็นออกจากชิ้นงาน และดึงเครื่องมือไปในทิศทางการป้อนนี้

คำเตือนด้านความปลอดภัยสำหรับการเจียโดยเฉพาะ:

- a) **ใช้ใบเจียชนิดที่แนะนำสำหรับเครื่องมือไฟฟ้าของคุณ และกับการประยุกต์ใช้งานที่ถูกแนะนำเท่านั้น**
- b) **อย่าให้ร่างกายของคุณอยู่ในตำแหน่งเดียวกันหรืออยู่ด้านหลังใบเจียที่กำลังหมุน** เมื่อใบเจียกำลังเคลื่อนที่ออกห่างจากคุณ ณ จุดที่กำลังทำงานอยู่ การติดกลับที่อาจเกิดขึ้นจะผลักดันให้ใบเจียที่กำลังหมุนและเครื่องมือไฟฟ้าเข้าหาคุณ

คำเตือนด้านความปลอดภัยเพิ่มเติม:

21. **เครื่องมือต้องใช้งานกับจุดเจียที่มีสารขดติดอยู่ (หินขัด) อย่างถาวรบนมือจับ (ก้าน) ที่เรียบไม่มีเกลียว**
22. **ตรวจสอบว่าใบเจียไม่ได้สัมผัสถูกชิ้นงานก่อนที่จะเปิดสวิตช์**
23. **ก่อนใช้เครื่องมือกับชิ้นงานจริง ให้เปิดเดินเครื่องเปล่าสักครู่หนึ่ง ตรวจสอบการสั่นสะเทือนหรือการโคลงเคลงที่อาจชี้ให้เห็นว่ามีการติดตั้งที่ไม่เหมาะสมหรือใบเจียไม่มีความสมดุล**
24. **ใช้พื้นผิวของใบเจียที่ระบุไว้เพื่อทำการเจีย**
25. **ระมัดระวังประกายไฟกระเด็นมาถูก ถือเครื่องมือในทิศทางที่ให้ประกายไฟอยู่ห่างจากคุณและบุคคลอื่นหรือจากวัตถุไวไฟ**
26. **อย่าปล่อยให้เครื่องมือทำงานค้างไว้ ใช้งานเครื่องมือในขณะที่ถืออยู่เท่านั้น**
27. **ห้ามสัมผัสกับชิ้นงานทันทีที่ทำงานเสร็จ** เนื่องจากชิ้นงานอาจมีความร้อนสูงและลวกผิวหนังของคุณได้
28. **ศึกษาคำแนะนำของผู้ผลิตสำหรับการติดตั้งและการใช้งานใบเจียอย่างถูกต้อง ดูและจัดเก็บใบเจียอย่างระมัดระวัง**
29. **ตรวจสอบว่ามีการยึดชิ้นงานอย่างเหมาะสม**
30. **หากสถานที่ทำงานมีความร้อนและความชื้นมากเกินไปหรือมีการปนเปื้อนฝุ่นผงที่เป็นตัวนำไฟฟ้า ให้ใช้เครื่องตัดกระแสไฟช็อต (30 มิลลิแอมป์) เพื่อให้อุ่นใจว่าผู้ปฏิบัติงานจะมีความปลอดภัย**
31. **อย่าใช้งานเครื่องมือกับวัสดุที่ประกอบไปด้วยแร่ใยหิน**
32. **ตรวจสอบบริเวณที่ยืนให้มีความมั่นคงเสมอ** หากใช้งานเครื่องมือในพื้นที่สูง ระวังอย่าให้มันอยู่ด้านล่าง

เก็บรักษาคำแนะนำเหล่านี้ไว้

⚠ คำเตือน:

อย่าให้ความไม่ระมัดระวังหรือความคุ้นเคยกับผลิตภัณฑ์ (จากการใช้งานซ้ำหลายครั้ง) อยู่เหนือการปฏิบัติตามกฎเกณฑ์ด้านความปลอดภัยในการใช้งานผลิตภัณฑ์อย่างเคร่งครัด การปฏิบัติอย่างไม่เหมาะสมหรือการไม่ปฏิบัติตามกฎเกณฑ์ด้านความปลอดภัยในคู่มือการใช้งานนี้อาจก่อให้เกิดการบาดเจ็บอย่างรุนแรง

คำอธิบายการใช้งาน

⚠ ข้อควรระวัง:

- ก่อนปรับเปลี่ยนหรือตรวจสอบการทำงานของเครื่อง ต้องตรวจสอบให้แน่ใจว่าได้ปิดสวิตช์และถอดปลั๊กเครื่องแล้วทุกครั้ง

การทำงานของสวิตช์ (ภาพที่ 1)

⚠ ข้อควรระวัง:

- ก่อนเสียบปลั๊กเครื่องมือ ให้ตรวจสอบว่าสวิตช์เลื่อนทำงานปกติ และกลับมาสู่ตำแหน่ง "ปิด" เมื่อปล่อยไกสวิตช์เลื่อนด้านหลัง ในการเปิดทำงานเครื่องมือ ให้ปรับสวิตช์เลื่อนไปที่ตำแหน่ง "I (เปิด)" สำหรับการทำงานอย่างต่อเนื่อง ให้กดด้านหน้าของสวิตช์เลื่อนเพื่อล็อคเครื่อง ในการหยุดการทำงานของเครื่อง ให้กดที่ด้านหลังของสวิตช์เลื่อนแล้วเลื่อนสวิตช์ไปที่ตำแหน่ง "O (ปิด)"

ตัวหมุนปรับระดับความเร็ว (ภาพที่ 2)

ความเร็วของเครื่องมือสามารถเปลี่ยนแปลงได้โดยหมุนตัวหมุนปรับระดับความเร็วไปที่หมายเลขที่มีตั้งแต่ 1 ถึง 5 ความเร็วจะสูงขึ้นเมื่อหมุนตัวหมุนปรับระดับไปทางหมายเลข 5 และความเร็วจึงจะต่ำลงเมื่อหมุนตัวหมุนปรับระดับไปทางหมายเลข 1 ตารางนี้จะแสดงถึงความสัมพันธ์ระหว่างการตั้งค่าตัวเลขบนตัวหมุนปรับระดับความเร็วและความเร็วของเครื่องมือโดยประมาณ

	GD0800C	GD0810C
ตัวเลข	นาที่ ⁻¹ (รอบต่อนาที)	นาที่ ⁻¹ (รอบต่อนาที)
1-2	7,000 - 10,000	1,800 - 2,400
2-3	10,000 - 17,000	2,400 - 4,100
3-4	17,000 - 24,000	4,100 - 5,800
4-5	24,000 - 28,000	5,800 - 7,000

006478

⚠ ข้อควรระวัง:

- หากใช้งานเครื่องมืออย่างต่อเนื่องในระดับความเร็วต่ำเป็นเวลานาน จะทำให้มอเตอร์ทำงานหนักเกินไป ส่งผลให้เครื่องมือผิดปกติ

- ตัวหมุนปรับระดับความเร็วสามารถหมุนได้มากที่สุดที่เลข 5 และต่ำสุดที่เลข 1 เท่านั้น อย่างไรก็ตาม หมุนจนเกินเลข 5 หรือ 1 มิฉะนั้นฟังก์ชันการปรับระดับความเร็วอาจไม่สามารถใช้งานได้อีกต่อไป

ชิ้นส่วนของเครื่อง

⚠ ข้อควรระวัง:

- ก่อนดำเนินการใดๆ กับเครื่อง ต้องตรวจสอบให้แน่ใจว่าปิดสวิตช์และถอดปลั๊กเครื่องแล้วทุกครั้ง

การติดตั้งมีอับด้านข้าง

ใช้มีอับด้านข้างเสมอเพื่อให้แน่ใจว่าจะใช้งานได้อย่างปลอดภัย

(ภาพที่ 3)

ใส่มีอับด้านข้างในท่อของเครื่องมือ จากนั้นให้หมุนมีอับให้แน่นโดยหมุนตามเข็มนาฬิกาไปยังตำแหน่งที่ต้องการ

การประกอบหรือการถอดจุดเจีย (ภาพที่ 4)

คลายน็อตคอลเลทแล้วใส่จุดเจียเข้าไปในน็อตคอลเลท ใช้ประแจตัวเล็กจับเพลาหมุนไว้ และใช้ประแจตัวใหญ่ขันน็อตคอลเลทให้แน่น

ไม่ควรติดตั้งจุดเจียหากน็อตคอลเลทเกินกว่า 8 มม. ระยะห่างที่มากเกินไปอาจทำให้เกิดการสั่นสะเทือนหรือแกนเพลาชำรุดเสียหาย

ในการถอดจุดเจียออก ให้ปฏิบัติตามขั้นตอนการประกอบในด้านที่ตรงกันข้าม (ภาพที่ 5)

⚠ ข้อควรระวัง:

- ใช้กรวยคอลเลทในขนาดที่เหมาะสมกับจุดเจียที่คุณต้องการใช้งาน

การทำงาน (ภาพที่ 6)

เปิดสวิตช์เครื่องมือโดยไม่ให้จุดเจียสัมผัสกับชิ้นงาน และรอจนกว่าจุดเจียหมุนด้วยความเร็วเต็มที่ จากนั้นให้ใช้จุดเจียค่อยๆ เจียชิ้นงาน เพื่อให้ได้ชิ้นงานที่ดี ให้เลื่อนเครื่องมือไปทางซ้ายมืออย่างช้าๆ

⚠ ข้อควรระวัง:

- ใช้แรงกดเครื่องมือเบาๆ การใช้แรงกดเครื่องมือมากเกินไปจะทำให้ได้ชิ้นงานที่ไม่ดีนัก และเป็นผลให้มอเตอร์ทำงานหนักเกินไป

การดูแลรักษา

⚠ ข้อควรระวัง:

- ก่อนตรวจสอบหรือดูแลรักษาเครื่อง ต้องตรวจสอบให้แน่ใจว่าได้ปิดสวิตช์และถอดปลั๊กเครื่องออกแล้วทุกครั้ง

- อย่าใช้น้ำมันเชื้อเพลิง เบนซิน ทินเนอร์ แอลกอฮอล์ หรือวัสดุประเภทเดียวกัน เพราะอาจทำให้เครื่องมือสัปดาห์ ผิดรูปทรงหรือแตกหักได้

เพื่อดูแลให้ผลิตภัณฑ์มีความปลอดภัยและไว้วางใจได้ ควรนำส่งผลิตภัณฑ์ให้แก่ศูนย์บริการที่ได้รับอนุญาตของ Makita ดำเนินการซ่อมแซม ตรวจสอบและเปลี่ยนแปลงคาร์บอน ดูแลรักษาหรือทำการปรับเปลี่ยนอื่นๆ และใช้อะไหล่แท้ของ Makita เท่านั้น

อุปกรณ์เสริม

⚠️ ข้อควรระวัง:

- ขอแนะนำให้ใช้อุปกรณ์เสริมหรือส่วนประกอบเหล่านี้กับเครื่องมือ Makita ของคุณตามที่ระบุในคู่มือนี้ การใช้อุปกรณ์เสริมหรือส่วนประกอบอื่นอาจทำให้ผู้ใช้ได้รับบาดเจ็บ ใช้อุปกรณ์เสริมหรือส่วนประกอบตามที่ระบุไว้เท่านั้น

หากคุณต้องการทราบรายละเอียดเพิ่มเกี่ยวกับอุปกรณ์เสริมดังกล่าว โปรดสอบถามศูนย์บริการของ Makita ในพื้นที่ของคุณ

- จุดเจีย
- ชุดกรวยคอลลेट (3 มม, 6 มม, 1/4", 1/8")
- ตัวยึดที่ค้ำจับชิ้นงาน
- ประแจเบอร์ 13
- ประแจเบอร์ 19
- ชุดมือจับด้านข้าง

หมายเหตุ:

- อุปกรณ์เสริมบางรายการอาจเป็นอุปกรณ์เสริมมาตรฐานที่รวมอยู่ในชุดเครื่องมือแล้ว ทั้งนี้ อาจมีความแตกต่างกันในแต่ละประเทศ

Makita Corporation
Anjo, Aichi, Japan

www.makita.com

884314B370

ALA