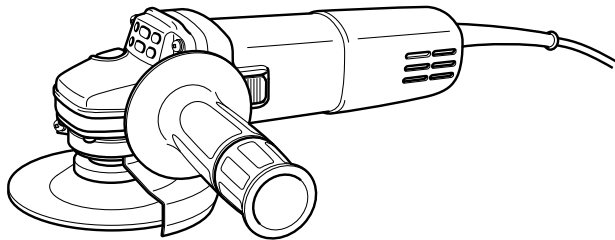




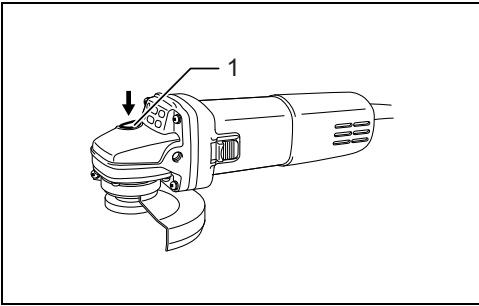
GB	Angle Grinder	Instruction manual
ID	Gerinda Sudut	Petunjuk penggunaan
VI	Máy mài góc	Tài liệu hướng dẫn
TH	เครื่องเจียไฟฟ้า	คู่มือการใช้งาน

9553NB
9554NB
9555NB



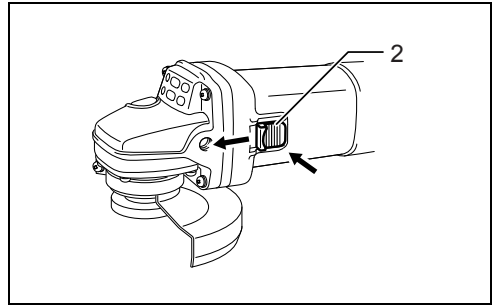
005801





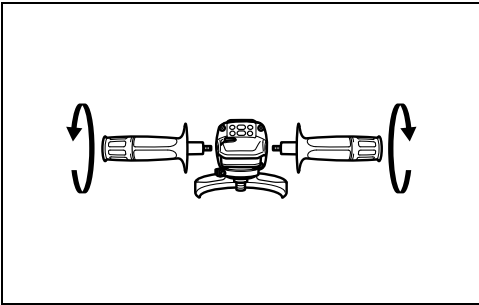
1

005802



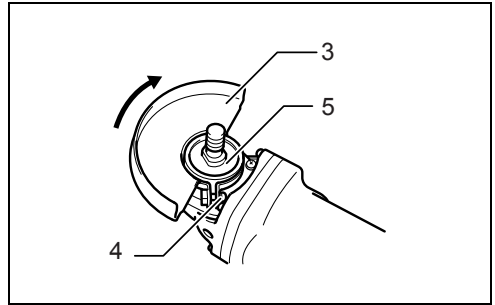
2

014237



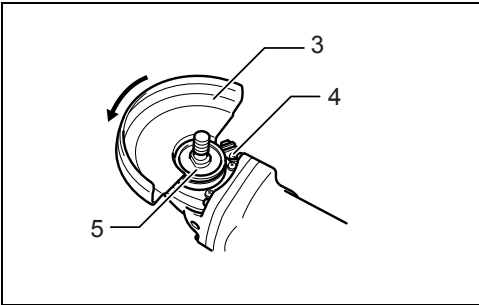
3

005804



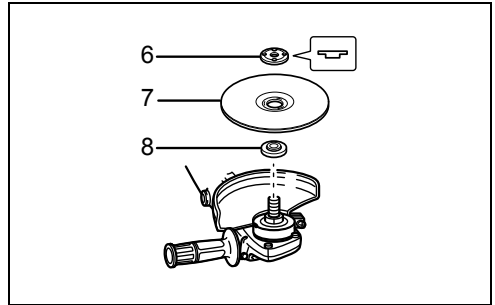
4

005805



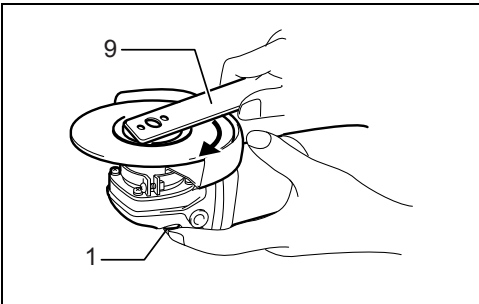
5

005807



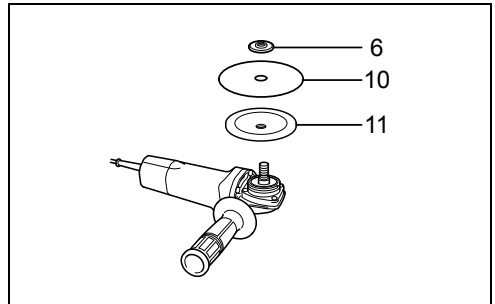
6

001070



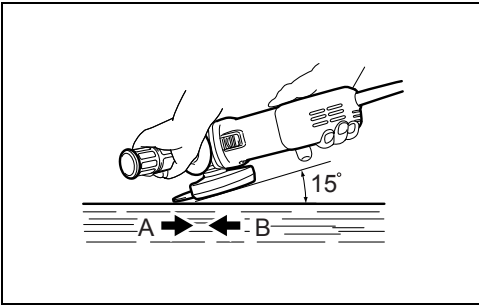
7

005917



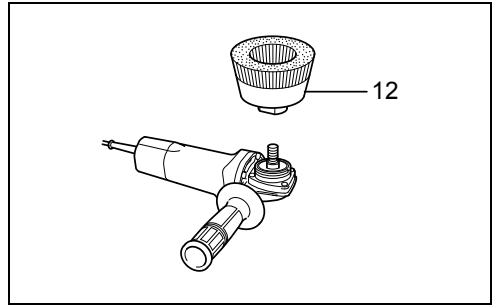
8

005833



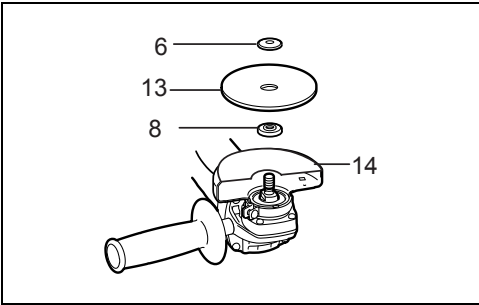
9

005831



10

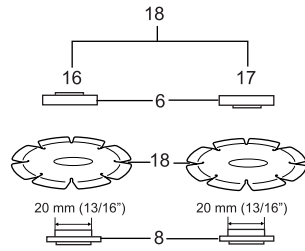
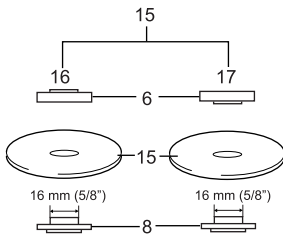
014103



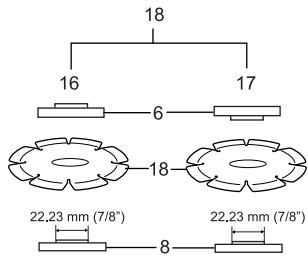
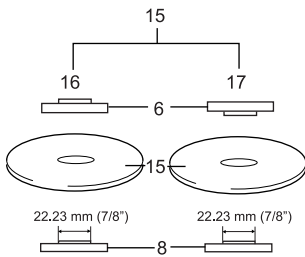
11

010855

100 mm (4")

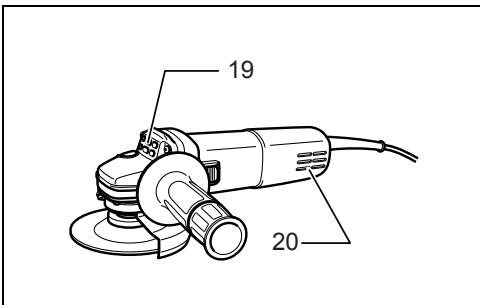


115 mm (4 - 1/2") / 125 mm (5")



12

010848



13

005809

ENGLISH (Original instructions)

Explanation of general view

- | | | |
|---|---|---------------------------------------|
| 1. Shaft lock | 9. Lock nut wrench | 16. Thickness: Less than 4 mm (5/32") |
| 2. Slide switch | 10. Abrasive disc | 17. Thickness: 4 mm (5/32") or more |
| 3. Wheel guard | 11. Rubber pad | 18. Diamond wheel |
| 4. Screw | 12. Wire cup brush/Wire bevel brush | 19. Exhaust vent |
| 5. Bearing box | 13. Abrasive cut-off wheel/diamond wheel | 20. Inhalation vent |
| 6. Lock nut | | |
| 7. Depressed center grinding wheel/
Multi-disc | 14. Wheel guard for abrasive cut-off
wheel/diamond wheel | |
| 8. Inner flange | 15. Abrasive cut-off wheel | |

SPECIFICATIONS

Model	9553NB	9554NB	9555NB
Depressed center wheel diameter	100 mm	115 mm	125 mm
Max. wheel thickness	6.4 mm	6.4 mm	6.4 mm
Spindle thread	M10	M14	M14
Rated speed (n)/No load speed (n ₀)	11,000 min ⁻¹	10,000 min ⁻¹	10,000 min ⁻¹
Overall length	258 mm	258 mm	258 mm
Net weight	1.8 kg	1.8 kg	1.9 kg
Safety class	□/II		

- Due to our continuing program of research and development, the specifications herein are subject to change without notice.
- Specifications may differ from country to country.
- Weight according to EPTA-Procedure 01/2003

Symbols

END202-8

The following show the symbols used for the equipment. Be sure that you understand their meaning before use.



... Read instruction manual.



..... DOUBLE INSULATION



... Wear safety glasses.

Intended use

ENE048-1

The tool is intended for grinding, sanding and cutting of metal and stone materials without the use of water.

Power supply

ENF002-2

The tool should be connected only to a power supply of the same voltage as indicated on the nameplate, and can only be operated on single-phase AC supply. They are double-insulated and can, therefore, also be used from sockets without earth wire.

General Power Tool Safety Warnings

GEA005-3

⚠ WARNING Read all safety warnings and all instructions. Failure to follow the warnings and instructions may result in electric shock, fire and/or serious injury.

Save all warnings and instructions for future reference.

The term "power tool" in the warnings refers to your mains-operated (corded) power tool or battery-operated (cordless) power tool.

Work area safety

1. **Keep work area clean and well lit.** Cluttered or dark areas invite accidents.
2. **Do not operate power tools in explosive atmospheres, such as in the presence of flammable liquids, gases or dust.** Power tools create sparks which may ignite the dust or fumes.
3. **Keep children and bystanders away while operating a power tool.** Distractions can cause you to lose control.

Electrical safety

4. **Power tool plugs must match the outlet. Never modify the plug in any way. Do not use any adapter plugs with earthed (grounded) power tools.** Unmodified plugs and matching outlets will reduce risk of electric shock.
5. **Avoid body contact with earthed or grounded surfaces such as pipes, radiators, ranges and refrigerators.** There is an increased risk of electric shock if your body is earthed or grounded.
6. **Do not expose power tools to rain or wet conditions.** Water entering a power tool will increase the risk of electric shock.
7. **Do not abuse the cord. Never use the cord for carrying, pulling or unplugging the power tool. Keep cord away from heat, oil, sharp edges or**

moving parts. Damaged or entangled cords increase the risk of electric shock.

8. **When operating a power tool outdoors, use an extension cord suitable for outdoor use.** Use of a cord suitable for outdoor use reduces the risk of electric shock.
9. **If operating a power tool in a damp location is unavoidable, use a residual current device (RCD) protected supply.** Use of an RCD reduces the risk of electric shock.
10. **Use of power supply via a RCD with a rated residual current of 30 mA or less is always recommended.**

Personal safety

11. **Stay alert, watch what you are doing and use common sense when operating a power tool. Do not use a power tool while you are tired or under the influence of drugs, alcohol or medication.** A moment of inattention while operating power tools may result in serious personal injury.
12. **Use personal protective equipment. Always wear eye protection.** Protective equipment such as dust mask, non-skid safety shoes, hard hat, or hearing protection used for appropriate conditions will reduce personal injuries.
13. **Prevent unintentional starting. Ensure the switch is in the off-position before connecting to power source and/or battery pack, picking up or carrying the tool.** Carrying power tools with your finger on the switch or energising power tools that have the switch on invites accidents.
14. **Remove any adjusting key or wrench before turning the power tool on.** A wrench or a key left attached to a rotating part of the power tool may result in personal injury.
15. **Do not overreach. Keep proper footing and balance at all times.** This enables better control of the power tool in unexpected situations.
16. **Dress properly. Do not wear loose clothing or jewellery. Keep your hair, clothing, and gloves away from moving parts.** Loose clothes, jewellery or long hair can be caught in moving parts.
17. **If devices are provided for the connection of dust extraction and collection facilities, ensure these are connected and properly used.** Use of dust collection can reduce dust-related hazards.

Power tool use and care

18. **Do not force the power tool. Use the correct power tool for your application.** The correct power tool will do the job better and safer at the rate for which it was designed.
19. **Do not use the power tool if the switch does not turn it on and off.** Any power tool that cannot be controlled with the switch is dangerous and must be repaired.
20. **Disconnect the plug from the power source and/or the battery pack from the power tool before making any adjustments, changing accessories, or storing power tools.** Such preventive safety measures reduce the risk of starting the power tool accidentally.
21. **Store idle power tools out of the reach of children and do not allow persons unfamiliar with the**

power tool or these instructions to operate the power tool. Power tools are dangerous in the hands of untrained users.

22. **Maintain power tools. Check for misalignment or binding of moving parts, breakage of parts and any other condition that may affect the power tool's operation. If damaged, have the power tool repaired before use.** Many accidents are caused by poorly maintained power tools.
23. **Keep cutting tools sharp and clean.** Properly maintained cutting tools with sharp cutting edges are less likely to bind and are easier to control.
24. **Use the power tool, accessories and tool bits etc. in accordance with these instructions, taking into account the working conditions and the work to be performed.** Use of the power tool for operations different from those intended could result in a hazardous situation.

Service

25. **Have your power tool serviced by a qualified repair person using only identical replacement parts.** This will ensure that the safety of the power tool is maintained.
26. **Follow instruction for lubricating and changing accessories.**
27. **Keep handles dry, clean and free from oil and grease.**

GRINDER SAFETY WARNINGS

GEB033-7

Safety Warnings Common for Grinding, Sanding, Wire Brushing, or Abrasive Cutting-Off Operations:

1. **This power tool is intended to function as a grinder, sander, wire brush or cut-off tool. Read all safety warnings, instructions, illustrations and specifications provided with this power tool.** Failure to follow all instructions listed below may result in electric shock, fire and/or serious injury.
2. **Operations such as polishing are not recommended to be performed with this power tool.** Operations for which the power tool was not designed may create a hazard and cause personal injury.
3. **Do not use accessories which are not specifically designed and recommended by the tool manufacturer.** Just because the accessory can be attached to your power tool, it does not assure safe operation.
4. **The rated speed of the accessory must be at least equal to the maximum speed marked on the power tool.** Accessories running faster than their rated speed can break and fly apart.
5. **The outside diameter and the thickness of your accessory must be within the capacity rating of your power tool.** Incorrectly sized accessories cannot be adequately guarded or controlled.
6. **Threaded mounting of accessories must match the grinder spindle thread. For accessories mounted by flanges, the arbour hole of the accessory must fit the locating diameter of the flange.** Accessories that do not match the mounting hardware of the power tool will run out of balance, vibrate excessively and may cause loss of control.

7. **Do not use a damaged accessory. Before each use inspect the accessory such as abrasive wheels for chips and cracks, backing pad for cracks, tear or excess wear, wire brush for loose or cracked wires. If power tool or accessory is dropped, inspect for damage or install an undamaged accessory. After inspecting and installing an accessory, position yourself and bystanders away from the plane of the rotating accessory and run the power tool at maximum no-load speed for one minute.** Damaged accessories will normally break apart during this test time.
8. **Wear personal protective equipment. Depending on application, use face shield, safety goggles or safety glasses. As appropriate, wear dust mask, hearing protectors, gloves and workshop apron capable of stopping small abrasive or workpiece fragments.** The eye protection must be capable of stopping flying debris generated by various operations. The dust mask or respirator must be capable of filtrating particles generated by your operation. Prolonged exposure to high intensity noise may cause hearing loss.
9. **Keep bystanders a safe distance away from work area. Anyone entering the work area must wear personal protective equipment.** Fragments of workpiece or of a broken accessory may fly away and cause injury beyond immediate area of operation.
10. **Hold the power tool by insulated gripping surfaces only, when performing an operation where the cutting accessory may contact hidden wiring or its own cord.** Cutting accessory contacting a "live" wire may make exposed metal parts of the power tool "live" and could give the operator an electric shock.
11. **Position the cord clear of the spinning accessory.** If you lose control, the cord may be cut or snagged and your hand or arm may be pulled into the spinning accessory.
12. **Never lay the power tool down until the accessory has come to a complete stop.** The spinning accessory may grab the surface and pull the power tool out of your control.
13. **Do not run the power tool while carrying it at your side.** Accidental contact with the spinning accessory could snag your clothing, pulling the accessory into your body.
14. **Regularly clean the power tool's air vents.** The motor's fan will draw the dust inside the housing and excessive accumulation of powdered metal may cause electrical hazards.
15. **Do not operate the power tool near flammable materials.** Sparks could ignite these materials.
16. **Do not use accessories that require liquid coolants.** Using water or other liquid coolants may result in electrocution or shock.

Kickback and Related Warnings

Kickback is a sudden reaction to a pinched or snagged rotating wheel, backing pad, brush or any other accessory. Pinching or snagging causes rapid stalling of the rotating accessory which in turn causes the uncontrolled power tool to be forced in the direction opposite of the accessory's rotation at the point of the binding.

For example, if an abrasive wheel is snagged or pinched by the workpiece, the edge of the wheel that is entering into the pinch point can dig into the surface of the material causing the wheel to climb out or kick out. The wheel may either jump toward or away from the operator, depending on direction of the wheel's movement at the point of pinching. Abrasive wheels may also break under these conditions.

Kickback is the result of power tool misuse and/or incorrect operating procedures or conditions and can be avoided by taking proper precautions as given below.

- a) **Maintain a firm grip on the power tool and position your body and arm to allow you to resist kickback forces. Always use auxiliary handle, if provided, for maximum control over kickback or torque reaction during start-up.** The operator can control torque reactions or kickback forces, if proper precautions are taken.
- b) **Never place your hand near the rotating accessory.** Accessory may kickback over your hand.
- c) **Do not position your body in the area where power tool will move if kickback occurs.** Kickback will propel the tool in direction opposite to the wheel's movement at the point of snagging.
- d) **Use special care when working corners, sharp edges etc. Avoid bouncing and snagging the accessory.** Corners, sharp edges or bouncing have a tendency to snag the rotating accessory and cause loss of control or kickback.
- e) **Do not attach a saw chain woodcarving blade or toothed saw blade.** Such blades create frequent kickback and loss of control.

Safety Warnings Specific for Grinding and Abrasive Cutting-Off Operations:

- a) **Use only wheel types that are recommended for your power tool and the specific guard designed for the selected wheel.** Wheels for which the power tool was not designed cannot be adequately guarded and are unsafe.
- b) **The grinding surface of centre depressed wheels must be mounted below the plane of the guard lip.** An improperly mounted wheel that projects through the plane of the guard lip cannot be adequately protected.
- c) **The guard must be securely attached to the power tool and positioned for maximum safety, so the least amount of wheel is exposed towards the operator.** The guard helps to protect the operator from broken wheel fragments, accidental contact with wheel and sparks that could ignite clothing.
- d) **Wheels must be used only for recommended applications. For example: do not grind with the side of cut-off wheel.** Abrasive cut-off wheels are intended for peripheral grinding, side forces applied to these wheels may cause them to shatter.
- e) **Always use undamaged wheel flanges that are of correct size and shape for your selected wheel.** Proper wheel flanges support the wheel thus reducing the possibility of wheel breakage. Flanges for cut-off wheels may be different from grinding wheel flanges.
- f) **Do not use worn down wheels from larger power tools.** Wheel intended for larger power tool is not suitable for the higher speed of a smaller tool and may burst.

Additional Safety Warnings Specific for Abrasive Cutting-Off Operations:

- a) **Do not “jam” the cut-off wheel or apply excessive pressure. Do not attempt to make an excessive depth of cut.** Overstressing the wheel increases the loading and susceptibility to twisting or binding of the wheel in the cut and the possibility of kickback or wheel breakage.
- b) **Do not position your body in line with and behind the rotating wheel.** When the wheel, at the point of operation, is moving away from your body, the possible kickback may propel the spinning wheel and the power tool directly at you.
- c) **When wheel is binding or when interrupting a cut for any reason, switch off the power tool and hold the power tool motionless until the wheel comes to a complete stop. Never attempt to remove the cut-off wheel from the cut while the wheel is in motion otherwise kickback may occur.** Investigate and take corrective action to eliminate the cause of wheel binding.
- d) **Do not restart the cutting operation in the workpiece. Let the wheel reach full speed and carefully re-enter the cut.** The wheel may bind, walk up or kickback if the power tool is restarted in the workpiece.
- e) **Support panels or any oversized workpiece to minimize the risk of wheel pinching and kickback.** Large workpieces tend to sag under their own weight. Supports must be placed under the workpiece near the line of cut and near the edge of the workpiece on both sides of the wheel.
- f) **Use extra caution when making a “pocket cut” into existing walls or other blind areas.** The protruding wheel may cut gas or water pipes, electrical wiring or objects that can cause kickback.

Safety Warnings Specific for Sanding Operations:

- a) **Do not use excessively oversized sanding disc paper. Follow manufacturers recommendations, when selecting sanding paper.** Larger sanding paper extending beyond the sanding pad presents a laceration hazard and may cause snagging, tearing of the disc or kickback.

Safety Warnings Specific for Wire Brushing Operations:

- a) **Be aware that wire bristles are thrown by the brush even during ordinary operation. Do not overstress the wires by applying excessive load to the brush.** The wire bristles can easily penetrate light clothing and/or skin.
- b) **If the use of a guard is recommended for wire brushing, do not allow interference of the wire wheel or brush with the guard.** Wire wheel or brush may expand in diameter due to work load and centrifugal forces.

Additional Safety Warnings:

17. **When using depressed centre grinding wheels, be sure to use only fiberglass-reinforced wheels.**
18. **NEVER USE Stone Cup type wheels with this grinder.** This grinder is not designed for these types of wheels and the use of such a product may result in serious personal injury.
19. **Be careful not to damage the spindle, the flange (especially the installing surface) or the lock nut.**

Damage to these parts could result in wheel breakage.

20. **Make sure the wheel is not contacting the workpiece before the switch is turned on.**
21. **Before using the tool on an actual workpiece, let it run for a while. Watch for vibration or wobbling that could indicate poor installation or a poorly balanced wheel.**
22. **Use the specified surface of the wheel to perform the grinding.**
23. **Do not leave the tool running. Operate the tool only when hand-held.**
24. **Do not touch the workpiece immediately after operation; it may be extremely hot and could burn your skin.**
25. **Observe the instructions of the manufacturer for correct mounting and use of wheels. Handle and store wheels with care.**
26. **Do not use separate reducing bushings or adaptors to adapt large hole abrasive wheels.**
27. **Use only flanges specified for this tool.**
28. **For tools intended to be fitted with threaded hole wheel, ensure that the thread in the wheel is long enough to accept the spindle length.**
29. **Check that the workpiece is properly supported.**
30. **Pay attention that the wheel continues to rotate after the tool is switched off.**
31. **If working place is extremely hot and humid, or badly polluted by conductive dust, use a short-circuit breaker (30 mA) to assure operator safety.**
32. **Do not use the tool on any materials containing asbestos.**
33. **When use cut-off wheel, always work with the dust collecting wheel guard required by domestic regulation.**
34. **Cutting discs must not be subjected to any lateral pressure.**

SAVE THESE INSTRUCTIONS.

⚠ WARNING:

DO NOT let comfort or familiarity with product (gained from repeated use) replace strict adherence to safety rules for the subject product. MISUSE or failure to follow the safety rules stated in this instruction manual may cause serious personal injury.

FUNCTIONAL DESCRIPTION

⚠ CAUTION:

- Always be sure that the tool is switched off and unplugged before adjusting or checking function on the tool.

Shaft lock (Fig. 1)

⚠ CAUTION:

- Never actuate the shaft lock when the spindle is moving. The tool may be damaged. Press the shaft lock to prevent spindle rotation when installing or removing accessories.

Switch action (Fig. 2)

CAUTION:

- Before plugging in the tool, always check to see that the slide switch actuates properly and returns to the "OFF" position when the rear of the slide switch is depressed.

To start the tool, slide the slide switch toward the "I (ON)" position. For continuous operation, press the front of the slide switch to lock it.

To stop the tool, press the rear of the slide switch, then slide it toward the "O (OFF)" position.

ASSEMBLY

CAUTION:

- Always be sure that the tool is switched off and unplugged before carrying out any work on the tool.

Installing side grip (handle) (Fig. 3)

CAUTION:

- Always be sure that the side grip is installed securely before operation.

Screw the side grip securely on the position of the tool as shown in the figure.

Installing or removing wheel guard (For depressed center wheel, multi disc/abrasive cut-off wheel, diamond wheel)

For tool with locking screw type wheel guard (Fig. 4 & 5)

WARNING:

- When using a depressed center grinding wheel/Multi-disc, flex wheel, wire wheel brush, cut-off wheel or diamond wheel, the wheel guard must be fitted on the tool so that the closed side of the guard always points toward the operator.
- When using an abrasive cut-off/diamond wheel, be sure to use only the special wheel guard designed for use with cut-off wheels. (In some European countries, when using a diamond wheel, the ordinary guard can be used. Follow the regulations in your country.)

Mount the wheel guard with the protrusion on the wheel guard band aligned with the notch on the bearing box. Then rotate the wheel guard to such an angle that it can protect the operator according to work. Be sure to tighten the screw securely.

To remove wheel guard, follow the installation procedure in reverse.

Installing or removing depressed center grinding wheel/Multi-disc (Fig. 6)

Mount the inner flange onto the spindle. Fit the wheel/disc on the inner flange and screw the lock nut onto the spindle.

To tighten the lock nut, press the shaft lock firmly so that the spindle cannot revolve, then use the lock nut wrench and securely tighten clockwise. (Fig. 7)

To remove the wheel, follow the installation procedure in reverse.

WARNING:

Only actuate the shaft lock when the spindle is not moving.

Installing or removing abrasive disc (optional accessory) (Fig. 8)

NOTE:

- Use sander accessories specified in this manual. These must be purchased separately.

Mount the rubber pad onto the spindle. Fit the disc on the rubber pad and screw the lock nut onto the spindle. To tighten the lock nut, press the shaft lock firmly so that the spindle cannot revolve, then use the lock nut wrench and securely tighten clockwise.

To remove the disc, follow the installation procedure in reverse.

OPERATION

WARNING:

- It should never be necessary to force the tool. The weight of the tool applies adequate pressure. Forcing and excessive pressure could cause dangerous wheel breakage.
- ALWAYS replace wheel if tool is dropped while grinding.
- NEVER bang or hit grinding disc or wheel onto work.
- Avoid bouncing and snagging the wheel, especially when working corners, sharp edges etc. This can cause loss of control and kickback.
- NEVER use tool with wood cutting blades and other sawblades. Such blades when used on a grinder frequently kick and cause loss of control leading to personal injury.

CAUTION:

- After operation, always switch off the tool and wait until the wheel has come to a complete stop before putting the tool down.

Grinding and sanding operation

ALWAYS hold the tool firmly with one hand on housing and the other on the side handle. Turn the tool on and then apply the wheel or disc to the workpiece.

In general, keep the edge of the wheel or disc at an angle of about 15 degrees to the workpiece surface.

During the break-in period with a new wheel, do not work the grinder in the B direction or it will cut into the workpiece. Once the edge of the wheel has been rounded off by use, the wheel may be worked in both A and B direction. (Fig. 9)

Operation with wire cup brush/wire bevel brush (optional accessory) (Fig. 10)

CAUTION:

- Check operation of brush by running tool with no load, insuring that no one is in front of or in line with brush.
- Do not use brush that is damaged, or which is out of balance. Use of damaged brush could increase potential for injury from contact with broken brush wires.

Unplug tool and place it upside down allowing easy access to spindle. Remove any accessories on spindle.

Thread wire cup brush/wire bevel brush onto spindle and tighten with supplied wrench. When using brush, avoid applying too much pressure which causes over bending of wires, leading to premature breakage.

Operation with abrasive cut-off/diamond wheel (optional accessory) (Fig. 11)

The direction for mounting the lock nut and the inner flange varies by wheel thickness. Refer to the table below. (Fig. 12)

WARNING:

- When using an abrasive cut-off/diamond wheel, be sure to use only the special wheel guard designed for use with cut-off wheels. (In some European countries, when using a diamond wheel, the ordinary guard can be used. Follow the regulations in your country.)
- NEVER use cut-off wheel for side grinding.
- Do not "jam" the wheel or apply excessive pressure. Do not attempt to make an excessive depth of cut. Overstressing the wheel increases the loading and susceptibility to twisting or binding of the wheel in the cut and the possibility of kickback, wheel breakage and overheating of the motor may occur.
- Do not start the cutting operation in the workpiece. Let the wheel reach full speed and carefully enter into the cut moving the tool forward over the workpiece surface. The wheel may bind, walk up or kickback if the power tool is started in the workpiece.
- During cutting operations, never change the angle of the wheel. Placing side pressure on the cut-off wheel (as in grinding) will cause the wheel to crack and break, causing serious personal injury.
- A diamond wheel shall be operated perpendicular to the material being cut.

MAINTENANCE

CAUTION:

- Always be sure that the tool is switched off and unplugged before attempting to perform inspection or maintenance.
- Never use gasoline, benzine, thinner, alcohol or the like. Discoloration, deformation or cracks may result. (Fig. 13)

The tool and its air vents have to be kept clean. Regularly clean the tool's air vents or whenever the vents start to become obstructed.

To maintain product SAFETY and RELIABILITY, repairs, carbon brush inspection and replacement, any other maintenance or adjustment should be performed by Makita Authorized Service Centers, always using Makita replacement parts.

OPTIONAL ACCESSORIES

CAUTION:

- These accessories or attachments are recommended for use with your Makita tool specified in this manual. The use of any other accessories or attachments might present a risk of injury to persons. Only use accessory or attachment for its stated purpose.

If you need any assistance for more details regarding these accessories, ask your local Makita Service Center.

- Wheel guard (Wheel cover) For depressed center wheel/Multi disc
- Wheel guard (Wheel cover) For abrasive cut-off wheel/diamond wheel
- Depressed center wheels
- Abrasive cut-off wheels
- Multi discs
- Diamond wheels
- Wire cup brushes
- Wire bevel brush 85
- Abrasive discs
- Inner flange
- Lock nut For depressed center wheel/abrasive cut-off wheel/multi disc/diamond wheel
- Lock nut For abrasive disc
- Lock nut wrench
- Side grip

NOTE:

- Some items in the list may be included in the tool package as standard accessories. They may differ from country to country.

BAHASA INDONESIA (Petunjuk asli)

Penjelasan tampilan keseluruhan

- | | | |
|---|---|---|
| 1. Kunci as | 9. Kunci mur pengunci | 16. Ketebalan: Kurang dari 4 mm (5/32") |
| 2. Sakelar geser | 10. Cakram ampelas | 17. Ketebalan: 4 mm (5/32") atau lebih |
| 3. Pelindung roda | 11. Bantalan karet | 18. Roda intan |
| 4. Sekrup | 12. Sikat kawat mangkok/Sikat kawat miring | 19. Ventilasi buang |
| 5. Boks bantalan | 13. Roda gerinda pemotong/roda intan | 20. Ventilasi isap |
| 6. Mur pengunci | 14. Pelindung roda untuk roda gerinda pemotong/roda intan | |
| 7. Roda gerinda nap cekung/
Multi-cakram | 15. Roda gerinda pemotong | |
| 8. Flensa-dalam | | |

SPEKIFIKASI

Model	9553NB	9554NB	9555NB
Diameter roda nap cekung	100 mm	115 mm	125 mm
Ketebalan roda maks.	6,4 mm	6,4 mm	6,4 mm
Drat spindel	M10	M14	M14
Kecepatan nominal (n)/Kecepatan tanpa beban (n ₀)	11.000 men ⁻¹	10.000 men ⁻¹	10.000 men ⁻¹
Panjang keseluruhan	258 mm	258 mm	258 mm
Berat bersih	1,8 kg	1,8 kg	1,9 kg
Kelas keamanan	□/II		

- Karena kesinambungan program penelitian dan pengembangan kami, spesifikasi yang disebutkan di sini dapat berubah tanpa pemberitahuan.
- Spesifikasi dapat berbeda dari satu negara ke negara lainnya.
- Berat menurut Prosedur EPTA 01/2003

Simbol-simbol END202-8

Berikut ini adalah simbol-simbol yang digunakan pada alat ini. Pastikan Anda mengerti makna masing-masing simbol sebelum menggunakan alat ini.



... Baca petunjuk penggunaan.



..... ISOLASI GANDA



... Kenakan kaca mata pengaman.

Maksud penggunaan ENE048-1

Alat ini digunakan untuk menggerinda, mengampelas, dan memotong logam dan bahan batuan tanpa menggunakan air.

Pasokan daya ENF002-2

Alat harus terhubung dengan pasokan daya listrik yang bervoltase sama dengan yang tertera pada pelat nama, dan hanya dapat dijalankan dengan listrik AC fase tunggal. Alat ini diisolasi ganda dan oleh sebab itu dapat dihubungkan dengan soket tanpa arde.

Peringatan Keselamatan Umum Mesin Listrik GEA005-3

⚠ PERINGATAN Bacalah semua peringatan keselamatan dan semua petunjuk. Kelalaian mematuhi peringatan dan petunjuk dapat menyebabkan sengatan listrik, kebakaran dan/atau cedera serius.

Simpanlah semua peringatan dan petunjuk untuk acuan di masa depan.

Istilah "mesin listrik" dalam semua peringatan mengacu pada mesin listrik yang dijalankan dengan sumber listrik jala-jala (berkabel) atau baterai (tanpa kabel).

Keselamatan tempat kerja

1. **Jagalah tempat kerja selalu bersih dan berpenerangan cukup.** Tempat yang berantakan atau gelap mengundang kecelakaan.
2. **Jangan mengoperasikan mesin listrik dalam atmosfer yang mudah meledak, seperti bila ada cairan, gas, atau debu mudah menyala.** Mesin listrik menimbulkan percikan api yang dapat menyalakan debu atau uap tersebut.
3. **Jauhkan anak-anak dan orang lain saat menggunakan mesin listrik.** Bila perhatian terpecah, Anda dapat kehilangan kendali.

Keamanan kelistrikan

4. **Steker mesin listrik harus cocok dengan stopkontak. Jangan sekali-kali mengubah steker dengan cara apa pun. Jangan menggunakan steker adaptor dengan mesin listrik berarde (dibumikan).** Steker yang tidak diubah dan stopkontak yang cocok akan mengurangi risiko sengatan listrik.
5. **Hindari sentuhan tubuh dengan permukaan berarde atau yang dibumikan seperti pipa, radiator, kompor, dan kulkas.** Risiko sengatan listrik bertambah jika tubuh Anda terbumikan atau terarde.

6. **Jangan membiarkan mesin listrik keuhujan atau kebasahan.** Air yang masuk ke dalam mesin listrik akan meningkatkan risiko sengatan listrik.
7. **Jangan menyalahgunakan kabel. Jangan sekali-kali menggunakan kabel untuk membawa, menarik, atau mencabut mesin listrik dari stopkontak. Jauhkan kabel dari panas, minyak, tepian tajam, atau bagian yang bergerak.** Kabel yang rusak atau kusut memperbesar risiko sengatan listrik.
8. **Bila menggunakan mesin listrik di luar ruangan, gunakan kabel ekstensi yang sesuai untuk penggunaan di luar ruangan.** Penggunaan kabel yang sesuai untuk penggunaan luar ruangan mengurangi risiko sengatan listrik.
9. **Jika mengoperasikan mesin listrik di lokasi lembap tidak dapat dihindari, gunakan pasokan daya yang dilindungi piranti imbasan arus (residual current device - RCD).** Penggunaan RCD mengurangi risiko sengatan listrik.
10. **Penggunaan pasokan daya melalui RCD dengan kapasitas arus sisa 30 mA atau kurang selalu dianjurkan.**

Keselamatan diri

11. **Jaga kewaspadaan, perhatikan pekerjaan Anda dan gunakan akal sehat bila menggunakan mesin listrik. Jangan menggunakan mesin listrik saat Anda lelah atau di bawah pengaruh obat bius, alkohol, atau obat.** Sekejap saja lalai saat menggunakan mesin listrik dapat menyebabkan cedera diri yang serius.
12. **Gunakan alat pelindung diri. Selalu kenakan pelindung mata.** Peralatan pelindung seperti masker debu, sepatu pengaman anti-selip, helm pengaman, atau pelindung telinga yang digunakan untuk kondisi yang sesuai akan mengurangi risiko cedera diri.
13. **Cegah penyalan yang tidak disengaja. Pastikan bahwa sakelar berada dalam posisi mati (off) sebelum menghubungkan mesin ke sumber daya dan/atau baterai, atau mengangkat atau membawanya.** Membawa mesin listrik dengan jari Anda pada sakelarnya atau mengalirkan listrik pada mesin listrik yang sakelarnya hidup (on) akan mengundang kecelakaan.
14. **Lepaskan kunci-kunci penyetel sebelum menghidupkan mesin listrik.** Kunci-kunci yang masih terpasang pada bagian mesin listrik yang berputar dapat menyebabkan cedera.
15. **Jangan meraih terlalu jauh. Jagalah pijakan dan keseimbangan sepanjang waktu.** Hal ini memungkinkan kendali yang lebih baik atas mesin listrik dalam situasi yang tidak diharapkan.
16. **Kenakan pakaian yang sesuai. Jangan memakai pakaian yang kedodoran atau perhiasan. Jaga jarak antara rambut, pakaian, dan sarung tangan Anda dengan bagian mesin yang bergerak.** Pakaian kedodoran, perhiasan, atau rambut panjang dapat tersangkut pada bagian yang bergerak.
17. **Jika tersedia fasilitas untuk menghisap dan mengumpulkan debu, pastikan fasilitas tersebut terhubung listrik dan digunakan dengan baik.** Penggunaan pembersih debu dapat mengurangi bahaya yang terkait dengan debu.

Penggunaan dan pemeliharaan mesin listrik

18. **Jangan memaksa mesin listrik. Gunakan mesin listrik yang tepat untuk keperluan Anda.** Mesin listrik yang tepat akan menuntaskan pekerjaan dengan lebih baik dan aman pada kecepatan sesuai rancangannya.
19. **Jangan gunakan mesin jika saklar tidak bisa menghidupkan atau mematikannya.** Mesin listrik yang tidak dapat dikendalikan dengan sakelarnya adalah berbahaya dan harus diperbaiki.
20. **Cabut steker dari sumber listrik dan/atau baterai dari mesin listrik sebelum melakukan penyetelan, penggantian aksesoris, atau menyimpan mesin listrik.** Langkah keselamatan preventif tersebut mengurangi risiko hidupnya mesin secara tak sengaja.
21. **Simpan mesin listrik jauh dari jangkauan anak-anak dan jangan biarkan orang yang tidak paham mengenai mesin listrik tersebut atau petunjuk ini menggunakan mesin listrik.** Mesin listrik sangat berbahaya di tangan pengguna yang tak terlatih.
22. **Rawatlah mesin listrik. Periksa apakah ada bagian bergerak yang tidak lurus atau macet, bagian yang pecah dan kondisi lain yang dapat mempengaruhi penggunaan mesin listrik. Jika rusak, perbaiki dahulu mesin listrik sebelum digunakan.** Banyak kecelakaan disebabkan oleh kurangnya pemeliharaan mesin listrik.
23. **Jaga agar mesin pemotong tetap tajam dan bersih.** Mesin pemotong yang terawat baik dengan mata pemotong yang tajam tidak mudah macet dan lebih mudah dikendalikan.
24. **Gunakan mesin listrik, aksesoris, dan mata mesin, dll. sesuai dengan petunjuk ini, dengan memperhitungkan kondisi kerja dan jenis pekerjaan yang dilakukan.** Penggunaan mesin listrik untuk penggunaan yang lain dari peruntukan dapat menimbulkan situasi berbahaya.

Servis

25. **Berikan mesin listrik untuk diperbaiki hanya kepada teknisi yang berkualifikasi dengan menggunakan hanya suku cadang pengganti yang serupa.** Hal ini akan menjamin terjaganya keamanan mesin listrik.
26. **Patuhi petunjuk pelumasan dan penggantian aksesoris.**
27. **Jagalah agar gagang kering, bersih, dan bebas dari minyak dan gemuk.**

PERINGATAN KESELAMATAN GERINDA

GEB033-7

Peringatan Keselamatan Umum untuk Pekerjaan Penggerindaan, Pengampelasan, Penggunaan Sikat Kawat, atau Pemotongan Dengan Roda Gerinda:

1. **Mesin listrik ini dimaksudkan untuk digunakan sebagai mesin gerinda, ampelas, sikat kawat, atau pemotong. Bacalah semua peringatan keselamatan, petunjuk, ilustrasi, dan spesifikasi yang disediakan bersama dengan mesin listrik ini.** Kelalaian untuk mematuhi seluruh petunjuk di bawah ini dapat mengakibatkan sengatan listrik, kebakaran, dan/atau cedera serius.

2. **Pekerjaan seperti pemolesan tidak dianjurkan menggunakan mesin listrik ini.** Pekerjaan yang tidak cocok dengan desain mesin listrik ini dapat menimbulkan bahaya dan menyebabkan cedera.
3. **Jangan menggunakan aksesoris yang tidak dirancang khusus dan direkomendasikan oleh pabrik pembuat mesin.** Hanya karena aksesoris bisa dipasang pada mesin listrik Anda, tidak berarti bahwa penggunaannya pasti aman.
4. **Kecepatan nominal aksesoris setidaknya harus sama dengan kecepatan maksimum yang tertera pada mesin listrik.** Aksesoris yang berputar lebih cepat daripada kecepatan nominalnya dapat pecah dan beterbangan ke mana-mana.
5. **Diameter luar dan ketebalan aksesoris Anda harus berada dalam kapasitas nominal mesin listrik Anda.** Aksesoris yang berukuran salah tidak akan bisa terlindungi atau dikendalikan dengan baik.
6. **Drat pemasangan aksesoris harus cocok dengan drat spindle gerinda.** Untuk aksesoris yang dipasang dengan flensa, lubang paksi aksesoris harus pas dengan diameter penempatan flensa. Aksesoris yang tidak cocok dengan perangkat keras pemasangan pada mesin listrik akan berputar tidak seimbang, bergetar keras, dan dapat menyebabkan hilangnya kendali.
7. **Jangan menggunakan aksesoris yang rusak.** Setiap kali akan digunakan, selalu periksa aksesoris seperti roda gerinda dari adanya serpihan dan retakan, backing pad dari adanya retakan, sobekan, atau aus yang berlebihan, sikat kawat dari adanya kawat yang longgar atau retak. Jika mesin listrik atau aksesoris terjatuh, periksa apakah ada kerusakan atau pasanglah aksesoris yang tidak rusak. Setelah memeriksa dan memasang aksesoris, jauhkan diri Anda dan orang lain dari bidang perputaran aksesoris dan jalankan mesin listrik pada kecepatan tanpa beban maksimum selama satu menit. Aksesoris yang rusak biasanya akan hancur selama pengujian ini.
8. **Kenakan alat pelindung diri.** Tergantung pemakaian, gunakanlah pelindung wajah dan kacamata pengaman. Jika perlu, pakailah masker debu, pelindung pendengaran, sarung tangan, dan apron kerja yang mampu menahan kepingan kecil bahan abrasif atau benda kerja. Pelindung mata harus mampu menghentikan serpihan terbang yang dihasilkan oleh berbagai macam pekerjaan. Masker debu atau respirator harus mampu menyaring partikel yang dihasilkan dalam pekerjaan Anda. Kebisingan berintensitas tinggi yang lama dapat merusak pendengaran.
9. **Jaga agar orang lain berada pada jarak yang aman dari area kerja.** Setiap orang yang masuk ke area kerja harus memakai alat pelindung diri. Serpihan benda kerja atau aksesoris yang pecah dapat terlontar dan melukai orang di luar area kerja.
10. **Pegang mesin listrik hanya pada permukaan genggam yang terisolasi bila dalam melakukan pekerjaan, aksesoris pemotong mungkin bersentuhan dengan kawat tersembunyi atau kabelnya sendiri.** Aksesoris pemotong yang menyentuh kawat "hidup" dapat menyebabkan bagian

logam yang terbuka pada mesin teraliri arus listrik dan menyangat pengguna.

11. **Posisikan kabel agar jauh dari aksesoris yang berputar.** Jika hilang kendali, kabel dapat putus atau tersangkut dan tangan atau lengan Anda dapat tertarik ke aksesoris yang berputar tersebut.
12. **Jangan sekali-kali meletakkan mesin listrik sebelum aksesoris berhenti sepenuhnya.** Aksesoris yang berputar dapat tersangkut pada permukaan dan menarik mesin listrik lepas dari kendali Anda.
13. **Jangan menyalakan mesin listrik saat membawanya di sisi tubuh Anda.** Kontak tak disengaja dengan aksesoris yang berputar dapat menggulung pakaian Anda dan menarik aksesoris ke tubuh Anda.
14. **Bersihkanlah lubang udara mesin listrik ini secara teratur.** Kipas motor mesin ini akan menyedot masuk debu ke bagian dalamnya dan akumulasi serbuk logam yang berlebihan dapat menimbulkan bahaya kelistrikan.
15. **Jangan menggunakan mesin listrik di dekat bahan yang mudah menyala.** Bunga api dapat menyalakan bahan tersebut.
16. **Jangan gunakan aksesoris yang membutuhkan cairan pendingin.** Penggunaan air atau cairan pendingin lain dapat mengakibatkan sengatan listrik yang bisa mematikan.

Tendang-balik dan Peringatan Terkait

Tendang-balik adalah reaksi tiba-tiba terhadap terjepit atau tersangkutnya roda, backing pad, sikat, atau aksesoris lain yang sedang berputar. Kondisi terjepit atau tersangkut ini menyebabkan aksesoris yang sedang berputar berhenti secara tiba-tiba, yang kemudian menyebabkan mesin listrik yang tidak terkendali ini terdorong ke arah yang berlawanan dengan arah perputaran aksesoris di titik kemacetan itu. Misalnya, jika suatu roda gerinda tersangkut atau terjepit oleh benda kerja, tepian roda yang masuk ke dalam titik jepit dapat "menggali" masuk ke dalam permukaan bahan tersebut sehingga menyebabkan roda memanjat keluar atau menendang balik. Roda dapat melompat mendekati atau menjauhi operator, tergantung arah gerak roda di titik jepit tersebut. Roda gerinda juga dapat pecah dalam kondisi seperti ini.

Tendang-balik merupakan akibat dari penyalahgunaan mesin listrik dan/atau prosedur atau kondisi penggunaan yang tidak tepat dan dapat dihindari dengan mengambil langkah pengamanan berikut ini.

- a) **Genggamlah mesin listrik dengan kuat setiap saat dan posisikan tubuh dan tangan Anda untuk menahan gaya tendang-balik.** Gunakan selalu gagang tambahan, jika tersedia, untuk mengendalikannya sepenuhnya tendang-balik atau reaksi torsi saat mesin dihidupkan. Reaksi torsi dan gaya tendang-balik dapat dikendalikan oleh pengguna, jika langkah pengamanan yang sesuai diambil.
- b) **Jangan pernah menempatkan tangan Anda di dekat aksesoris yang berputar.** Aksesoris dapat menendang-balik ke tangan Anda.
- c) **Jangan memposisikan tubuh Anda ke arah mesin akan bergerak jika terjadi tendang-balik.** Tendang-balik akan mendorong mesin ke arah yang berlawanan dengan arah gerak roda di titik sangkutan.

- d) Lebih berhati-hatilah saat Anda mengerjakan sudut, pinggiran tajam, dll. Hindari membuat aksesoris terpantul atau tersangkut. Sudut, pinggiran tajam, atau pantulan cenderung menyebabkan aksesoris yang berputar tersangkut dan mengakibatkan hilangnya kendali atau tendang-balik.
- e) **Jangan memasang rantai gergaji, pisau ukir kayu, atau mata gergaji bergigi.** Mata pisau/gergaji semacam itu sering menimbulkan tendang-balik dan hilangnya kendali.

Peringatan Keselamatan Khusus untuk Pekerjaan Gerinda dan Gerinda Pemotong:

- a) **Gunakan hanya jenis roda yang direkomendasikan untuk mesin listrik Anda dan pelindung khusus yang dirancang untuk roda yang dipilih.** Roda yang tidak cocok dengan rancangan mesin tidak dapat terlindungi dengan baik dan tidak aman.
- b) **Permukaan penggerindaan roda nap cekung harus dipasang di bawah bidang bibir pelindung.** Roda yang dipasang dengan tidak benar, yaitu menonjol keluar dari bidang bibir pelindung tidak akan bisa terlindungi secara memadai.
- c) **Pelindung harus dipasang kuat pada mesin dan diposisikan untuk keamanan maksimum, sehingga bagian roda yang berhadapan dengan pengguna menjadi sesedikit mungkin.** Pelindung membantu melindungi pengguna dari kepingan roda yang pecah, sentuhan tak disengaja dengan roda, dan percikan bunga api yang dapat menyulut pakaian.
- d) **Roda hanya boleh digunakan untuk penggunaan yang dianjurkan. Misalnya: jangan menggerinda dengan bagian sisi roda pemotong.** Roda gerinda/abrasif pemotong dimaksudkan untuk penggerindaan pada tepi luarnya; gaya samping yang diberikan pada roda dapat memecahkannya.
- e) **Selalu gunakan flensa roda utuh yang ukuran dan bentuknya tepat untuk roda yang Anda pilih.** Flensa roda yang tepat mendukung roda dan oleh sebab itu mengurangi kemungkinan pecahnya roda. Flensa untuk roda pemotong dapat berbeda dengan flensa roda gerinda.
- f) **Jangan menggunakan roda aus dari mesin listrik yang lebih besar.** Roda yang dirancang untuk mesin besar tidak cocok dengan kecepatan yang lebih tinggi pada mesin yang lebih kecil dan dapat pecah berkeping-keping.

Peringatan Keselamatan Tambahan Khusus untuk Pekerjaan Pemotongan Abrasif:

- a) **Jangan “memacetkan” roda pemotong atau memberikan tekanan berlebihan.** Jangan mencoba membuat irisan yang terlalu dalam. Memberikan tekanan terlalu besar pada roda akan meningkatkan beban dan kemungkinan roda terpuntir atau macet di dalam irisan dan kemungkinan terjadinya tendang-balik atau pecahnya roda.
- b) **Jangan posisikan tubuh Anda segaris dengan roda yang berputar dan di belakangnya.** Di titik kerja, jika roda menjauhi tubuh Anda, tendang-balik yang dapat terjadi bisa mendorong roda yang berputar dan mesin listrik langsung ke arah Anda.
- c) **Jika roda macet atau jika menghentikan pekerjaan pemotongan karena sebab apa pun, matikan mesin listrik dan terus pegang mesin**

dengan tak bergerak sampai roda berhenti sepenuhnya. Jangan sekali-kali melepas roda pemotong dari benda kerja saat roda masih berputar atau tendang-balik akan terjadi. Selidiki dan ambil tindakan perbaikan untuk mengatasi penyebab macetnya roda.

d) **Jangan memulai lagi pemotongan di dalam benda kerja.** Biarkan roda mencapai kecepatan penuh dan dengan hati-hati masukkan lagi ke dalam irisan pemotongan. Roda dapat macet, berjalan naik, atau menendang-balik jika mesin listrik dinyalakan di dalam benda kerja.

a) **Sangga panel atau benda kerja yang berukuran besar untuk meminimalkan risiko roda pemotong terjepit dan menendang-balik.** Benda kerja besar cenderung tertekuk karena beratnya sendiri. Penyangga harus diletakkan di bawah benda kerja di dekat garis potong dan di dekat tepi benda kerja pada kedua sisi roda.

f) **Ekstra hati-hatilah saat membuat “irisin kantong” pada dinding yang sudah berdiri atau tempat lain yang tak terlihat bagian belakangnya.** Roda yang menjorok keluar dapat mengiris pipa gas atau air, jaringan kawat listrik, atau benda-benda yang dapat menyebabkan tendang-balik.

Peringatan Keselamatan Khusus untuk Pekerjaan Pengampelasan:

a) **Jangan menggunakan kertas cakram pengampelas yang terlalu besar.** Ikuti rekomendasi pabrik pembuat dalam pemilihan kertas cakram ampelas. Kertas cakram ampelas yang lebarnya melampaui bantalan ampelas dapat menimbulkan bahaya melukai dan dapat membuatnya tersangkut, sobek, atau menendang balik.

Peringatan Keselamatan Khusus untuk Pekerjaan Sikat Kawat:

- a) **Sadarilah bahwa bulu kawat selalu terlempar oleh sikat bahkan dalam pekerjaan biasa.** Jangan terlalu menekan kawat dengan memberi beban berlebih pada sikat. Bulu kawat dapat dengan mudah menembus pakaian tipis dan/atau kulit.
- b) **Jika penggunaan pelindung disarankan dalam penyikatan kawat, jangan membiarkan adanya sentuhan antara roda atau sikat kawat dengan pelindung.** Roda atau sikat kawat dapat mengembang diameternya karena beban kerja atau gaya sentrifugal.

Peringatan Keselamatan Tambahan:

17. Bila menggunakan roda gerinda bernap cekung, pastikan untuk menggunakan hanya roda yang diperkuat serat kaca.
18. **JANGAN SEKALI-KALI MENGGUNAKAN roda tipe Mangkuk Batu dengan gerinda ini.** Gerinda ini tidak dirancang untuk roda tipe ini dan penggunaan produk demikian dapat mengakibatkan cedera badan serius.
19. **Berhati-hatilah untuk tidak merusak spindle, flensa (terutama permukaan pemasangan), atau mur pengunci.** Kerusakan bagian-bagian ini dapat menyebabkan pecahnya roda.
20. **Pastikan roda tidak menyentuh benda kerja sebelum sakelar dihidupkan.**
21. **Sebelum menggunakan mesin pada benda kerja sesungguhnya, biarkan mesin berjalan sebentar. Perhatikan apakah ada getaran atau goyangan**

- yang menandakan pemasangan yang tidak baik atau roda yang tidak seimbang.
22. Gunakan permukaan roda yang ditentukan untuk menggerinda.
 23. Jangan tinggalkan mesin dalam keadaan hidup. Jalankan mesin hanya ketika digenggam tangan.
 24. Jangan menyentuh benda kerja segera setelah pengerjaan; sunahya mungkin sangat panas dan dapat membakar kulit Anda.
 25. Patuhi petunjuk pabrik pembuat untuk pemasangan dan penggunaan roda yang tepat. Tangani dan simpan roda dengan hati-hati.
 26. Jangan menggunakan paking atau adaptor pengcil terpisah untuk menyesuaikan roda gerinda berukuran besar.
 27. Gunakan hanya flensa yang ditentukan untuk mesin ini.
 28. Untuk mesin yang dirancang untuk dipasangi roda dengan lubang berdrat, pastikan bahwa drat pada roda cukup panjang untuk memuat seluruh panjang spindle.
 29. Pastikan bahwa benda kerja ditopang dengan baik.
 30. Perhatikan bahwa roda masih akan terus berputar setelah mesin dimatikan.
 31. Jika tempat kerja sangat panas dan lembab, atau tercemar berat oleh debu penghantar, gunakan pemutus arus hubung-singkat (30 mA) untuk memastikan keselamatan pengguna.
 32. Jangan menggunakan mesin pada bahan yang mengandung asbestos.
 33. Jika menggunakan roda pemotong, bekerjalah selalu dengan pelindung roda pengumpul debu sesuai ketentuan peraturan setempat.
 34. Cakram pemotong tidak boleh mendapat tekanan dari samping.

SIMPAN PETUNJUK INI.

⚠ PERINGATAN:
JANGAN biarkan kenyamanan atau terbiasanya Anda dengan produk (karena penggunaan berulang) menggantikan kepatuhan yang ketat terhadap aturan keselamatan untuk produk yang terkait. **PENYALAHGUNAAN** atau kelalaian mematuhi kaidah keselamatan yang tertera dalam petunjuk penggunaan ini dapat menyebabkan cedera badan serius.

DESKRIPSI FUNGSI

⚠ PERHATIAN:

- Selalu pastikan alat sudah dimatikan dan stekernya sudah dicabut sebelum menyatel atau memeriksa fungsi alat.

Kunci as (Gb. 1)

⚠ PERHATIAN:

- Jangan mengaktifkan kunci as saat spindle sedang bergerak. Hal ini dapat menyebabkan kerusakan pada alat.

Tekan kunci as untuk mencegah perputaran spindle saat memasang atau melepas aksesoris.

Gerakan sakelar (Gb. 2)

⚠ PERHATIAN:

- Sebelum menancapkan steker alat, selalu pastikan bahwa sakelar geser bekerja dengan baik dan kembali ke posisi "OFF" (MATI) saat bagian belakangnya ditekan.

Untuk menghidupkan alat, geser sakelar geser ke posisi "I (ON)". Untuk pengoperasian terus-menerus, tekan bagian depan sakelar geser untuk menguncinya. Untuk menghentikan alat, tekan bagian belakang sakelar geser, kemudian geser ke posisi "O (OFF)".

PERAKITAN

⚠ PERHATIAN:

- Selalu pastikan alat sudah dimatikan dan stekernya dicabut sebelum melakukan pekerjaan apa pun pada alat.

Memasang pegangan (gagang) samping (Gb. 3)

⚠ PERHATIAN:

- Selalu pastikan gagang samping terpasang kuat sebelum penggunaan.

Sekrupkan gagang samping pada posisi di alat seperti pada gambar.

Memasang atau melepaskan pelindung roda (Untuk roda nap cekung, multi-cakram/roda gerinda pemotong, roda intan)

Untuk alat dengan pelindung roda jenis sekrop pengunci (Gb. 4 & 5)

⚠ PERINGATAN:

- Bilamana menggunakan roda gerinda nap cekung/ Multi-cakram, roda fleksibel, sikat kawat roda, roda pemotong, atau roda intan, pelindung roda harus dipasang pada alat sedemikian sehingga sisi tertutup pelindung selalu mengarah ke pengguna.
- Bila menggunakan roda gerinda pemotong/roda intan, pastikan untuk menggunakan hanya pelindung roda khusus yang dirancang untuk digunakan bersama roda pemotong. (Di beberapa negara Eropa, bila menggunakan roda intan, pelindung biasa dapat digunakan. Ikuti peraturan di negara Anda.)

Pasang pelindung roda dengan tonjolan pada setrip pelindung roda terluruskan dengan takik pada boks bantalan. Kemudian putar pelindung roda sampai ke sudut yang tepat sehingga dapat melindungi operator sesuai dengan pekerjaannya. Pastikan sekrop dikencangkan kuat.

Untuk melepas pelindung roda, ikuti prosedur pemasangan secara terbalik.

Memasang atau melepaskan roda gerinda nap cekung/Multi-cakram (Gb. 6)

Pasang flensa-dalam pada spindle. Pasangkan roda/cakram pada flensa-dalam dan pasang mur pengunci pada spindle.

Untuk mengencangkan mur pengunci, tekan kunci as dengan kuat agar spindel tidak berputar, kemudian gunakan kunci mur pengunci dan kencangkan penuh searah jarum jam. (Gb. 7)

Untuk melepas roda, ikuti prosedur pemasangan secara terbalik.

PERINGATAN:

Aktifkan kunci as hanya ketika spindel tidak bergerak.

Memasang atau melepas cakram ampelas (aksesori tambahan) (Gb. 8)

CATATAN:

- Gunakan aksesoris mesin pengampelas yang dideskripsikan dalam buku petunjuk ini. Aksesoris ini harus dibeli secara terpisah.

Pasang bantalan karet pada spindel. Pasang cakram pada bantalan karet dan sekrupkan mur pengunci pada spindel. Untuk mengencangkan mur pengunci, tekan kunci as dengan kuat agar spindel tidak dapat berputar, kemudian gunakan kunci pas mur pengunci dan kencangkan penuh searah jarum jam.

Untuk melepaskan cakram, ikuti prosedur pemasangan secara terbalik.

PENGUNAAN

PERINGATAN:

- Tidak perlu memaksa alat. Berat alat sudah memberi tekanan cukup. Pemaksaan atau tekanan berlebihan dapat menyebabkan pecahnya roda.
- SELALU ganti roda jika alat terjatuh saat menggerinda.
- DILARANG membanting atau memukulkan cakram atau roda gerinda pada benda kerja.
- Hindari melambungkan dan menyangkutkan roda, terutama saat mengerjakan bagian sudut, pinggiran tajam, dll. Hal ini dapat menyebabkan hilangnya kendali dan tendang-balik.
- DILARANG memakai alat dengan pisau pemotong kayu dan mata gergaji jenis lain. Mata pisau tersebut saat digunakan pada gerinda seringkali menendang dan menyebabkan hilangnya kendali lalu menimbulkan cedera badan.

PERHATIAN:

- Setelah pemakaian, selalu matikan alat dan tunggu hingga roda berhenti total sebelum meletakkan alat.

Pemakaian sebagai Gerinda dan Ampelas

SELALU pegang alat kuat-kuat dengan satu tangan pada rumah alat dan tangan lainnya pada gagang samping. Hidupkan alat dan tempelkan roda atau cakram pada benda kerja.

Secara umum, pertahankan tepian roda atau cakram pada sudut sekitar 15 derajat terhadap permukaan benda kerja.

Selama masa inreyn roda baru, jangan memakai gerinda ke arah B atau roda akan mengiris masuk ke dalam benda kerja. Begitu tepian roda menjadi tumpul karena dipakai, roda dapat digunakan untuk arah A dan B.

(Gb. 9)

Pengoperasian dengan sikat kawat mangkok/sikat kawat miring (aksesori tambahan) (Gb. 10)

PERHATIAN:

- Periksa pengoperasian sikat dengan menjalankan mesin tanpa beban, sambil memastikan bahwa tidak ada orang di depan atau di posisi yang segaris dengan sikat.
- Jangan menggunakan sikat yang rusak, atau yang tidak seimbang. Penggunaan sikat yang rusak dapat meningkatkan potensi cedera akibat terkena kawat sikat yang putus.

Cabut steker mesin dan letakkan secara terbalik sehingga spindel mudah diakses. Lepaskan aksesoris pada spindel.

Ulirkan sikat kawat mangkok/sikat kawat miring pada spindel dan kencangkan dengan kunci pas yang disertakan. Bila menggunakan sikat, hindari memberikan tekanan terlalu besar, yang menyebabkan kawat terlalu melengkung, dan mengakibatkan kawat putus dini.

Pengoperasian dengan roda gerinda pemotong/roda intan (aksesori tambahan) (Gb. 11)

Arah pemasangan mur pengunci dan flensa-dalam bervariasi sesuai dengan ketebalan roda.

Lihat tabel di bawah ini. (Gb. 12)

PERINGATAN:

- Bila menggunakan roda gerinda pemotong/roda intan, pastikan untuk menggunakan hanya pelindung roda khusus yang dirancang untuk digunakan bersama roda pemotong. (Di beberapa negara Eropa, bila menggunakan roda intan, pelindung biasa dapat digunakan. Ikuti peraturan di negara Anda.)
- JANGAN SEKALI-KALI menggunakan roda pemotong untuk penggerindaan sisi.
- Jangan "memacetkan" roda atau memberikan tekanan berlebih. Jangan mencoba membuat irisan yang terlalu dalam. Memberikan tekanan terlalu besar pada roda akan meningkatkan beban dan kerentanan terhadap pemuntiran atau kemacetan roda dalam irisan dan kemungkinan terjadinya tendang-balik, pecahnya roda, atau pemanasan motor secara berlebihan.
- Jangan memulai kerja pemotongan di dalam benda kerja. Biarkan roda mencapai kecepatan penuh dan dengan hati-hati masuki irisan dengan menggerakkan alat ke depan di atas permukaan benda kerja. Roda dapat macet, berjalannya naik, atau menendang-balik jika alat listrik dinyalakan di dalam benda kerja.
- Selama melakukan pekerjaan pemotongan, jangan sekali-kali mengubah sudut alat. Memberikan tekanan sisi pada roda pemotong (seperti saat menggerinda) akan menyebabkan roda retak dan pecah, dan mengakibatkan cedera serius.
- Roda intan harus dioperasikan secara tegak lurus terhadap bahan yang dipotong.

PERAWATAN

PERHATIAN:

- Selalu pastikan alat sudah dimatikan dan stekernya dicabut sebelum mencoba melakukan pemeriksaan atau perawatan.

- Jangan sekali-kali menggunakan bensin, tiner, alkohol, atau bahan sejenisnya. Penggunaan bahan demikian dapat menyebabkan perubahan warna dan bentuk serta timbulnya retakan. **(Gb. 13)**

Alat dan lubang udaranya harus dijaga kebersihannya. Bersihkanlah lubang udara alat ini secara teratur atau kapan pun aliran udara mulai terhambat.

Untuk menjaga KEAMANAN dan KEHANDALAN produk, perbaikan, pemeriksaan dan penggantian borstel arang, perawatan atau penyetelan lainnya harus dilakukan oleh Pusat Servis Resmi Makita dan gunakan selalu suku cadang Makita.

AKSESORI TAMBAHAN

PERHATIAN:

- Aksesori atau alat tambahan ini dianjurkan untuk digunakan dengan alat Makita milik Anda yang disebutkan dalam buku petunjuk ini. Penggunaan aksesori atau alat tambahan lain dapat menimbulkan risiko cedera pada orang. Gunakan aksesori atau alat tambahan sesuai kegunaannya.

Jika Anda membutuhkan bantuan perihal informasi lebih terperinci mengenai aksesori-aksesori ini, tanyakan kepada Pusat Servis Makita setempat.

- Pelindung roda (Tutup roda) Untuk Roda nap cekung/ Multi-cakram
- Pelindung roda (Tutup roda) Untuk roda gerinda pemotong/roda intan
- Roda nap cekung
- Roda gerinda pemotong
- Multi-cakram
- Roda intan
- Sikat kawat mangkok
- Sikat kawat miring 85
- Cakram ampelas
- Flensa-dalam
- Mur pengunci Untuk roda nap cekung/roda gerinda pemotong/multi-cakram/roda intan
- Mur pengunci Untuk cakram ampelas
- Kunci mur pengunci
- Gagang samping

CATATAN:

- Beberapa artikel dalam daftar dapat disertakan dalam kemasan mesin sebagai aksesori standar. Kelengkapan ini dapat berbeda dari satu negara ke negara lainnya.

TIẾNG VIỆT (Hướng dẫn gốc)

Giải thích về hình vẽ tổng thể

- | | | |
|----------------------------------|---|----------------------------------|
| 1. Khoá trục | 9. Chia vận đai ốc hãm | 15. Đĩa mài cắt |
| 2. Công tắc trượt | 10. Đĩa mài | 16. Độ dày: Dưới 4 mm (5/32") |
| 3. Vành bảo vệ đĩa mài | 11. Đệm cao su | 17. Độ dày: 4 mm (5/32") trở lên |
| 4. Vít | 12. Chổi mài hình cốc/Chổi sợi hình côn | 18. Đĩa kim cương |
| 5. Hộp vòng bi | 13. Đĩa cắt/đĩa kim cương | 19. Lỗ xả |
| 6. Đai ốc hãm | 14. Vành bảo vệ đĩa mài/đĩa kim cương | 20. Lỗ hút |
| 7. Đĩa mài lõm tâm/Đĩa nhiều lớp | | |
| 8. Vành trong | | |

THÔNG SỐ KỸ THUẬT

Kiểu máy	9553NB	9554NB	9555NB
Đường kính đĩa mài lõm tâm	100 mm	115 mm	125 mm
Độ dày đĩa mài tối đa	6,4 mm	6,4 mm	6,4 mm
Đường ren trục quay	M10	M14	M14
Tốc độ định mức (n)/Tốc độ không tải (n ₀)	11.000 min ⁻¹	10.000 min ⁻¹	10.000 min ⁻¹
Tổng chiều dài	258 mm	258 mm	258 mm
Trọng lượng tịnh	1,8 kg	1,8 kg	1,9 kg
Cấp an toàn	□/II		

- Do chương trình nghiên cứu và phát triển liên tục của chúng tôi nên các thông số kỹ thuật dưới đây có thể thay đổi mà không cần thông báo.
- Các thông số kỹ thuật ở mỗi quốc gia có thể khác nhau.
- Trọng lượng theo quy định EPTA-Procedure 01/2003

Ký hiệu END202-8

Phần dưới đây cho biết các ký hiệu được dùng cho thiết bị. Đảm bảo rằng bạn hiểu ý nghĩa của các ký hiệu này trước khi sử dụng.



... Đọc tài liệu hướng dẫn.



..... CÁCH ĐIỆN KÉP



... Đeo kính an toàn.

Mục đích sử dụng ENE048-1

Dụng cụ này được sử dụng để mài, đánh bóng và cắt các vật liệu kim loại và đá mà không sử dụng nước.

Nguồn cấp điện ENF002-2

Dụng cụ này chỉ được nối với nguồn cấp điện có điện áp giống như đã chỉ ra trên biển tên và chỉ có thể được vận hành trên nguồn cung cấp AC một pha. Thiết bị được cách điện kép và do đó cũng có thể được sử dụng từ các ổ cắm mà không cần dây tiếp đất.

Cảnh báo An toàn Chung dành cho Dụng cụ Máy

GEA005-3

⚠ CẢNH BÁO Đọc tất cả cảnh báo an toàn và hướng dẫn. Việc không tuân theo các cảnh báo và hướng dẫn có thể dẫn đến điện giật, hỏa hoạn và/hoặc thương tích nghiêm trọng.

Lưu giữ tất cả cảnh báo và hướng dẫn để tham khảo sau này.

Thuật ngữ “dụng cụ máy” trong các cảnh báo để cập đến dụng cụ máy (có dây) được vận hành bằng điện hoặc dụng cụ máy (không dây) được vận hành bằng pin.

An toàn tại nơi làm việc

- Giữ nơi làm việc sạch sẽ và có đủ ánh sáng.** Nơi làm việc bừa bộn hoặc tối có thể dẫn đến tai nạn.
- Không vận hành dụng cụ máy trong môi trường cháy nổ, ví dụ như môi trường có sự hiện diện của các chất lỏng, khí hoặc bụi dễ cháy.** Các dụng cụ máy tạo ra tia lửa điện có thể làm bụi hoặc khí bốc cháy.
- Giữ trẻ em và người ngoài tránh xa nơi làm việc khi đang vận hành dụng cụ máy.** Sự xao lãng có thể khiến bạn mất khả năng kiểm soát.

An toàn về điện

- Phích cắm của dụng cụ máy phải khớp với ổ cắm.** Không bao giờ được sửa đổi phích cắm theo bất kỳ cách nào. Không sử dụng bất kỳ phích điều hợp nào với các dụng cụ máy được nối đất (tiếp đất). Các phích cắm còn nguyên vẹn và ổ cắm phù hợp sẽ giảm nguy cơ điện giật.
- Tránh để cơ thể tiếp xúc với các bề mặt nóng hoặc tiếp xúc như đường ống, bộ tản nhiệt, bếp và tủ lạnh.** Nguy cơ bị điện giật sẽ tăng lên nếu cơ thể bạn được nối đất hoặc tiếp đất.
- Không để dụng cụ máy tiếp xúc với nước mưa hoặc trong điều kiện ẩm ướt.** Nước chảy vào dụng cụ máy sẽ làm tăng nguy cơ điện giật.

7. **Không sử dụng dây sai cách.** Không bao giờ sử dụng dây để mang, kéo hoặc tháo phích cắm dụng cụ máy. Giữ dây tránh xa nguồn nhiệt, dầu, các mép sắc hoặc các bộ phận chuyển động. Dây bị hỏng hoặc bị rơi sẽ làm tăng nguy cơ điện giật.
8. **Khi vận hành dụng cụ máy ngoài trời, hãy sử dụng dụng cụ dài phù hợp cho việc sử dụng ngoài trời.** Việc dùng dây phù hợp cho việc sử dụng ngoài trời sẽ giảm nguy cơ điện giật.
9. **Nếu bắt buộc phải vận hành dụng cụ máy ở nơi ẩm ướt, hãy sử dụng nguồn cấp điện được bảo vệ bằng thiết bị dòng điện dư (RCD).** Sử dụng RCD sẽ giảm nguy cơ điện giật.
10. **Chúng tôi luôn khuyên bạn sử dụng nguồn cấp điện qua RCD có dòng điện dự định mức 30 mA hoặc thấp hơn.**

An toàn cá nhân

11. **Luôn tỉnh táo, quan sát những việc bạn đang làm và sử dụng những phán đoán theo kinh nghiệm khi vận hành dụng cụ máy.** Không sử dụng dụng cụ máy khi bạn đang mệt mỏi hoặc chịu ảnh hưởng của ma túy, chất cồn hay thuốc. Chỉ một khoảnh khắc không tập trung khi đang vận hành dụng cụ máy cũng có thể dẫn đến thương tích cá nhân nghiêm trọng.
12. **Sử dụng thiết bị bảo hộ cá nhân. Luôn đeo thiết bị bảo vệ mắt.** Các thiết bị bảo hộ như mặt nạ chống bụi, giày an toàn không trượt, mũ bảo hộ hay thiết bị bảo vệ thính giác được sử dụng trong các điều kiện thích hợp sẽ giúp giảm thương tích cá nhân.
13. **Tránh khởi động vô tình dụng cụ máy. Đảm bảo công tắc ở vị trí off (tắt) trước khi nối nguồn điện và/hoặc bộ pin, cắm hoặc mang dụng cụ máy.** Việc mang dụng cụ máy khi đang đặt ngón tay ở vị trí công tắc hoặc cấp điện cho dụng cụ máy khi công tắc đang ở vị trí bật có thể dẫn đến tai nạn.
14. **Tháo mọi khoá hoặc chia vận điều chỉnh trước khi bật dụng cụ máy.** Việc chia vận hoặc khoá vẫn còn gắn vào bộ phận quay của dụng cụ máy có thể dẫn đến thương tích cá nhân.
15. **Không với quá cao. Luôn giữ thăng bằng tốt và có chỗ để chân phù hợp.** Điều này cho phép kiểm soát dụng cụ máy tốt hơn trong những tình huống bất ngờ.
16. **Ăn mặc phù hợp. Không mặc quần áo rộng hay đeo đồ trang sức. Giữ tóc, quần áo và gang tay tránh xa các bộ phận chuyển động.** Quần áo rộng, đồ trang sức hay tóc dài có thể mắc vào các bộ phận chuyển động.
17. **Nếu thiết bị này được cung cấp kèm theo các bộ phận để nối thiết bị hút và gom bụi, hãy đảm bảo chúng được kết nối và sử dụng hợp lý.** Sử dụng thiết bị gom bụi có thể làm giảm những mối nguy hiểm liên quan đến bụi.

Sử dụng và bảo quản dụng cụ máy

18. **Không ép buộc dụng cụ máy. Sử dụng đúng dụng cụ máy cho công việc của bạn.** Sử dụng đúng dụng cụ máy sẽ giúp thực hiện công việc tốt hơn và an toàn hơn theo giá trị định mức được thiết kế của dụng cụ máy đó.

19. **Không sử dụng dụng cụ máy nếu công tắc không bật và tắt được dụng cụ máy đó.** Mọi dụng cụ máy không thể điều khiển được bằng công tắc đều rất nguy hiểm và cần được sửa chữa.
20. **Rút phích cắm ra khỏi nguồn điện và/hoặc tháo bộ pin khỏi dụng cụ máy trước khi thực hiện bất kỳ công việc điều chỉnh, thay đổi phụ tùng hay cất giữ dụng cụ máy nào.** Những biện pháp an toàn phòng ngừa này sẽ giảm nguy cơ khởi động vô tình dụng cụ máy.
21. **Cất giữ các dụng cụ máy không sử dụng ngoài tầm với của trẻ em và không cho bất kỳ người nào không có hiểu biết về dụng cụ máy hoặc các hướng dẫn này vận hành dụng cụ máy.** Dụng cụ máy sẽ rất nguy hiểm nếu được sử dụng bởi những người dùng chưa qua đào tạo.
22. **Bảo dưỡng dụng cụ máy. Kiểm tra tình trạng lệch trục hoặc bó kẹt của các bộ phận chuyển động, hiện tượng nứt vỡ của các bộ phận và mọi tình trạng khác mà có thể ảnh hưởng đến hoạt động của dụng cụ máy.** Nếu có hỏng hóc, hãy sửa chữa dụng cụ máy trước khi sử dụng. Nhiễu tai nạn xảy ra là do không bảo dưỡng tốt dụng cụ máy.
23. **Luôn giữ cho dụng cụ cất được sắc và sạch.** Những dụng cụ cất được bảo dưỡng đúng cách có mép cắt sắc sẽ ít bị kẹt hơn và dễ điều khiển hơn.
24. **Sử dụng dụng cụ máy, phụ tùng và đầu dụng cụ cắt, v.v... theo các hướng dẫn này, có tính đến điều kiện làm việc và công việc được thực hiện.** Việc sử dụng dụng cụ máy cho các công việc khác với công việc dự định có thể gây nguy hiểm.

Bảo dưỡng

25. **Đề nghị viên sửa chữa đủ trình độ bảo dưỡng dụng cụ máy của bạn và chỉ sử dụng các bộ phận thay thế đồng nhất.** Việc này sẽ đảm bảo duy trì được độ an toàn của dụng cụ máy.
26. **Tuân theo hướng dẫn dành cho việc bôi trơn và thay phụ tùng.**
27. **Giữ tay cầm khô, sạch, không dính dầu và mỡ.**

CẢNH BÁO AN TOÀN CHO MÁY MÀI

GEB033-7

Cảnh báo An toàn Chung cho Hoạt động Mài, Đánh bóng, Đánh bóng bằng chổi hoặc Cắt:

1. **Dụng cụ máy này được sử dụng như máy mài, máy đánh bóng, chổi mài dây hoặc dụng cụ cắt. Đọc tất cả các cảnh báo an toàn, hướng dẫn, minh hoạ và thông số kỹ thuật được cung cấp cùng với dụng cụ máy này.** Việc không tuân theo tất cả các hướng dẫn được liệt kê dưới đây có thể dẫn đến điện giật, hoả hoạn và/hoặc thương tích nghiêm trọng.
2. **Chúng tôi khuyến bạn không nên thực hiện các hoạt động như mài nhân bằng dụng cụ máy này.** Sử dụng dụng cụ máy này cho các hoạt động không theo thiết kế có thể gây nguy hiểm và dẫn đến thương tích cá nhân.
3. **Không sử dụng các phụ tùng không được thiết kế riêng và không được nhà sản xuất dụng cụ khuyến dùng.** Phụ tùng có thể được lắp vào dụng cụ máy của bạn nhưng lại không đảm bảo vận hành an toàn.

4. **Tốc độ định mức của phụ tùng phải bằng hoặc lớn hơn tốc độ tối đa được ghi trên dụng cụ máy.** Phụ tùng hoạt động nhanh hơn tốc độ định mức có thể bị vỡ và văng ra.
 5. **Đường kính ngoài và độ dày của phụ tùng phải nằm trong định mức công suất của dụng cụ máy.** Phụ tùng có kích thước không đúng có thể không được bảo vệ hoặc điều khiển phù hợp.
 6. **Lắp đặt phụ tùng có ren phải khớp với đường ren trục xoay của máy mài. Đối với các phụ tùng được lắp đặt theo vành, lỗ tâm của phụ tùng phải khớp với đường kính định vị của vành.** Những phụ tùng không khớp với phần cứng lắp đặt của dụng cụ máy sẽ mất cân bằng, rung quá mức và có thể gây mất khả năng kiểm soát.
 7. **Không sử dụng phụ tùng đã hỏng. Trước mỗi lần sử dụng, kiểm tra phụ tùng như đĩa mài có phoi bám hoặc vết nứt không, kiểm tra tấm đỡ xem có vết nứt, rách hoặc ăn mòn quá mức không, chốt mài dây có các dây bị lỏng hoặc đứt không. Nếu dụng cụ máy hoặc phụ tùng bị rơi, hãy kiểm tra xem có bị hỏng không hoặc lắp phụ tùng còn nguyên. Sau khi kiểm tra và lắp phụ tùng, bạn và những người ngoài nên tránh xa mặt phẳng quay của phụ tùng và chạy dụng cụ máy ở tốc độ không tải tối đa trong vòng một phút.** Phụ tùng bị hỏng thường bị vỡ trong thời gian chạy thử này.
 8. **Đeo thiết bị bảo hộ cá nhân.** Tuỳ vào công việc, hãy sử dụng mặt nạ, kính bảo hộ hoặc kính an toàn. Khi cần, hãy đeo mặt nạ chống bụi, thiết bị bảo vệ tai, găng tay và tấm chắn bảo vệ có khả năng ngăn các mảnh vụn phoi hoặc bột mài nhỏ. Thiết bị bảo vệ mắt phải có khả năng ngăn mảnh vụn bay do các hoạt động khác nhau tạo ra. Mặt nạ chống bụi hoặc mặt nạ phòng độc phải có khả năng lọc các hạt do hoạt động tạo ra. Tiếp xúc lâu với tiếng ồn cường độ cao có thể gây ra mất khả năng nghe.
 9. **Giữ những người ngoài tránh xa khu vực làm việc ở khoảng an toàn. Bất kỳ ai vào khu vực làm việc đều phải đeo thiết bị bảo hộ cá nhân.** Mảnh vụn phoi hoặc phụ tùng bị vỡ có thể bay xa và gây thương tích bên ngoài khu vực vận hành.
 10. **Chỉ cắm dụng cụ máy ở phần tay nắm được cách điện khi thực hiện công việc mà phụ tùng cắt có thể tiếp xúc với dây điện ngầm hoặc dây của chính dụng cụ.** Phụ tùng cắt tiếp xúc với dây dẫn "có điện" có thể làm các bộ phận kim loại trần của dụng cụ điện "tiếp điện" và có thể làm người vận hành bị điện giật.
 11. **Đặt dây cách xa phụ tùng đang quay.** Nếu bạn mất khả năng kiểm soát, dây có thể bị cắt hoặc bị vướng vào và bàn tay và cánh tay bạn có thể bị kéo vào phụ tùng đang quay.
 12. **Không đặt dụng cụ máy xuống đến khi phụ tùng đã dừng hoàn toàn.** Phụ tùng đang quay có thể găm vào bề mặt và kéo dụng cụ máy ra khỏi tầm điều khiển của bạn.
 13. **Không chạy dụng cụ máy khi bạn đang cầm ở một phía.** Tiếp xúc bất ngờ với phụ tùng đang quay có thể vướng vào quần áo, làm phụ tùng va vào người bạn.
 14. **Thường xuyên làm sạch lỗ thông gió của dụng cụ máy.** Quạt của mô tơ sẽ hút bụi vào bên trong vỏ máy và việc tích tụ quá nhiều kim loại dạng bột có thể gây ra các nguy cơ về điện.
 15. **Không vận hành dụng cụ máy gần các vật liệu dễ cháy.** Tia lửa điện có thể làm cháy những vật liệu này.
 16. **Không sử dụng phụ tùng cần chất làm mát dạng lỏng.** Sử dụng nước hoặc các chất làm mát dạng lỏng khác có thể gây ra điện giật.
- Lực đẩy ngược và Cảnh báo Liên quan**
- Lực đẩy ngược là phản ứng bất ngờ khi đĩa mài, tấm đỡ, chốt đang quay hoặc bất kỳ phụ tùng nào khác bị kẹt hoặc bị vướng. Việc kẹt hoặc vướng có thể gây ra ngừng nhanh phụ tùng đang quay, việc này sẽ làm cho dụng cụ máy mất kiểm soát bị ép vào hướng ngược với hướng quay của phụ tùng tại điểm bị kẹt. Ví dụ: nếu đĩa mài bị vướng hoặc kẹt vào phoi, cạnh của đĩa mài đang ở chỗ kẹt có thể cắm vào bề mặt vật liệu làm cho đĩa mài nảy ra hoặc văng ra. Đĩa mài có thể nảy ra xa hoặc về phía người vận hành, tùy vào hướng chuyển động của đĩa mài tại điểm bị kẹt. Đĩa mài cũng có thể bị vỡ trong những điều kiện này. Lực đẩy ngược là do sử dụng sai dụng cụ máy và/hoặc quy trình hoặc điều kiện vận hành không chính xác và có thể tránh được bằng cách thực hiện các biện pháp phòng ngừa thích hợp như dưới đây.
- a) **Cắm chắc dụng cụ máy và định vị cơ thể và cánh tay để cản lại lực đẩy ngược. Luôn sử dụng tay cầm phụ, nếu có, để kiểm soát tối đa lực đẩy ngược hoặc phản lực mô men xoắn trong khi khởi động.** Người vận hành có thể kiểm soát phản lực mô men xoắn hoặc lực đẩy ngược, nếu thực hiện các biện pháp phòng ngừa thích hợp.
 - b) **Không đặt tay gần phụ tùng đang quay.** Phụ tùng có thể bật ngược lại vào tay bạn.
 - c) **Không đứng trong khu vực mà dụng cụ máy sẽ chuyển động nếu xảy ra lực đẩy ngược.** Lực đẩy ngược sẽ đẩy dụng cụ theo hướng ngược với chuyển động của đĩa mài tại điểm bị kẹt.
 - d) **Đặc biệt chú ý khi làm việc với các góc, cạnh sắc, v.v.... Tránh làm nảy và kẹt phụ tùng.** Góc, cạnh sắc hoặc nảy lên có xu hướng làm kẹt phụ tùng đang quay và gây ra mất kiểm soát hoặc lực đẩy ngược.
 - e) **Không lắp lưỡi của xích, dao khắc gỗ hoặc lưỡi của cưa răng.** Những lưỡi này tạo ra lực đẩy ngược thường xuyên và mất khả năng kiểm soát.
- Cảnh báo An toàn Dành riêng cho Hoạt động Mài và Cắt:**
- a) **Chỉ sử dụng loại đĩa được khuyến dùng cho dụng cụ máy và vành bảo vệ riêng được thiết kế cho đĩa đã chọn.** Đĩa không được thiết kế cho dụng cụ máy này không được bảo vệ phù hợp và không an toàn.
 - b) **Bề mặt mài của đĩa mài lõm tâm phải được lắp đặt bên dưới mặt phẳng của nắp bảo vệ.** Đĩa mài được lắp đặt không đúng cách nhô ra mặt phẳng của nắp bảo vệ không thể được bảo vệ phù hợp.
 - c) **Thiết bị bảo vệ phải được lắp chặt vào dụng cụ máy và đúng vị trí để có độ an toàn tối đa, sao cho phần đĩa hướng vào người vận hành là**

nhỏ nhất. Thiết bị bảo vệ giúp bảo vệ người vận hành khỏi các mảnh vụn đĩa mài bị vỡ, tiếp xúc bất ngờ với đĩa mài và tia lửa điện có thể làm cháy quần áo.

d) Chỉ sử dụng đĩa cho các công việc được khuyến nghị. Ví dụ: không mài bằng cạnh của đĩa cắt. Đĩa cắt được sử dụng cho mục đích mài ở ngoài cùng, các lực bên cạnh tác dụng vào những đĩa này có thể làm cho đĩa bị vỡ.

e) Luôn sử dụng vành đĩa mài còn tốt đúng kích thước và hình dạng cho đĩa đã chọn của bạn. Bích bắt đá mài phù hợp hỗ trợ cho đá mài, do đó làm giảm nguy cơ vỡ đá mài. Vành cho đĩa cắt có thể khác với vành đĩa mài.

f) Không sử dụng đĩa mài đã mòn của các dụng cụ máy lớn hơn. Đĩa mài dùng cho dụng cụ máy lớn hơn không thích hợp cho tốc độ cao hơn của dụng cụ nhỏ hơn và có thể bị vỡ.

Cảnh báo An toàn Bổ sung Dành riêng cho Hoạt động Cắt:

a) Không “kẹp chặt” đĩa cắt hoặc tác dụng áp lực quá lớn. Không cố tạo vết cắt quá sâu. Ấn đĩa quá mạnh sẽ làm tăng tải và dễ làm xoắn hoặc bó kẹt đĩa khi cắt và khả năng xảy ra lực đẩy ngược hoặc vỡ đĩa.

b) Không đứng phía sau hoặc thẳng hàng với đĩa đang quay. Khi đĩa, đang hoạt động, chuyển động ra xa bạn, lực đẩy ngược tiềm tàng có thể đẩy đĩa đang quay và dụng cụ máy hướng thẳng vào bạn.

c) Khi đĩa bị bó kẹt hoặc khi ngừng cắt vì lý do nào đó, hãy ngắt điện dụng cụ máy và giữ dụng cụ máy đứng yên đến khi đĩa ngừng hoàn toàn. Không cố rút đĩa cắt ra khỏi vết cắt khi đĩa đang chuyển động nếu không có thể xảy ra lực đẩy ngược. Kiểm tra và tiến hành khắc phục để loại bỏ nguyên nhân gây bó kẹt đĩa.

d) Không bắt đầu lại hoạt động cắt ngay từ phôi gia công. Hãy đợi đĩa đạt tốc độ tối đa và cẩn thận đặt lại vào vết cắt. Đĩa có thể bị bó kẹt, nảy lên hoặc bật ngược lại nếu dụng cụ cắt được bắt đầu lại ngay từ phôi gia công.

e) Hãy gá các tấm hoặc bất kỳ phôi gia công quá cỡ nào để giảm thiểu nguy cơ kẹt đĩa và lực đẩy ngược. Phôi gia công lớn thường vồng xuống do trọng lượng của nó. Phải đặt các tấm đỡ bên dưới phôi gia công gần đường cắt và gần cạnh của phôi gia công ở cả hai phía của đĩa cắt.

f) Đặc biệt thận trọng khi thực hiện “cắt lỗ” trên các bức tường có sẵn hoặc bề mặt kín khác. Đĩa cắt thô có thể cắt đường ống nước hoặc ga, dây điện hoặc các vật có thể gây ra lực đẩy ngược.

Cảnh báo An toàn Dành riêng cho Hoạt động Đánh bóng:

a) Không sử dụng giấy đánh chà nhám dạng đĩa quá cũ. Thực hiện theo khuyến nghị của nhà sản xuất khi chọn giấy chà nhám. Giấy chà nhám lớn hơn vượt quá tấm chà nhám có nguy cơ bị rách và gây vướng, rách đĩa hoặc tạo ra lực đẩy ngược.

Cảnh báo An toàn Dành riêng cho Hoạt động Đánh bóng bằng chổi:

a) Chú ý rằng lông bàn chải sẽ bị văng ra kể cả trong các hoạt động thông thường. Không ấn

dây quá mạnh bằng cách tác dụng tải quá lớn vào bàn chải. Lông bàn chải có thể xuyên dễ dàng vào vải mỏng và/hoặc da.

b) Nếu cần sử dụng vành bảo vệ khi sử dụng chổi, không để bất kỳ vật gì cản trở giữa chổi và vành bảo vệ. Đường kính đĩa mài dày hoặc bàn chải có thể mở rộng do tải làm việc và lực ly tâm.

Cảnh báo An toàn Bổ sung:

- 17. Khi sử dụng đĩa mài lớn tâm, đảm bảo chỉ sử dụng đĩa mài sợi thủy tinh cường độ cao.**
- 18. KHÔNG BAO GIỜ ĐƯỢC SỬ DỤNG bánh mài loại cốt đá mài cho máy mài này.** Máy mài này không được thiết kế để sử dụng những loại bánh mài này và nếu sử dụng sản phẩm kiểu này thì có thể dẫn đến thương tích cá nhân nghiêm trọng.
- 19. Cẩn thận để không làm hỏng trục quay, vành (đặc biệt là bề mặt lắp ráp) hoặc đai ốc hãm.** Làm hỏng những bộ phận này có thể dẫn đến vỡ đĩa mài.
- 20. Đảm bảo rằng đĩa mài không tiếp xúc với phôi gia công trước khi bật công tắc.**
- 21. Trước khi sử dụng dụng cụ này trên phôi gia công thực tế, hãy để dụng cụ chạy trong ít phút.** Theo dõi sự rung hoặc lắc có thể cho thấy lắp ráp kém hoặc đĩa mài mất cân bằng.
- 22. Sử dụng bề mặt đĩa mài được chỉ định để mài.**
- 23. Không để mặc dụng cụ hoạt động. Chỉ vận hành dụng cụ khi cầm trên tay.**
- 24. Không chạm vào phôi gia công ngay sau khi gia công; nó có thể rất nóng và có thể gây bỏng da.**
- 25. Tuân thủ các hướng dẫn của nhà sản xuất để lắp và sử dụng đĩa mài đúng cách. Sử dụng và cắt giữ đĩa mài cẩn thận.**
- 26. Không sử dụng bạc lót hoặc đệm tiếp hợp rời để lắp các đĩa mài có kích thước lỗ lớn.**
- 27. Chỉ sử dụng các vành được chỉ định cho dụng cụ này.**
- 28. Đối với các dụng cụ sẽ được lắp đĩa mài có lỗ ren, hãy đảm bảo rằng đường ren trong đĩa mài đủ dài để thích ứng với độ dài của trục quay.**
- 29. Kiểm tra để chắc chắn rằng phôi gia công được gá đỡ đúng cách.**
- 30. Lưu ý rằng đĩa mài sẽ tiếp tục quay sau khi tắt dụng cụ.**
- 31. Nếu nơi làm việc rất nóng và ẩm hoặc bị nhiễm bẩn nặng với bụi dẫn điện, hãy sử dụng cầu dao ngắt mạch (30 mA) để đảm bảo an toàn cho người vận hành.**
- 32. Không sử dụng dụng cụ này trên bất kỳ loại vật liệu nào có chứa amiang.**
- 33. Khi sử dụng đĩa cắt, luôn làm việc với vành bảo vệ đĩa cắt gom bụi theo quy định của địa phương.**
- 34. Không được có bất kỳ áp lực bên nào tác dụng lên đĩa cắt.**

LƯU GIỮ CÁC HƯỚNG DẪN NÀY.

⚠ CẢNH BÁO:

KHÔNG được để sự thoải mái hay quen thuộc với sản phẩm (có được do sử dụng nhiều lần) thay thế việc tuân thủ nghiêm ngặt các quy định về an toàn dành cho sản phẩm này. **VIỆC DÙNG SAI** hoặc không tuân theo các quy định về an toàn được nêu

trong tài liệu hướng dẫn này có thể dẫn đến thương tích cá nhân nghiêm trọng.

MÔ TẢ CHỨC NĂNG

⚠️ THẬN TRỌNG:

- Luôn chắc chắn rằng dụng cụ này tắt và tháo phích cắm trước khi điều chỉnh hoặc kiểm tra chức năng trên dụng cụ.

Khoá trục (Hình 1)

⚠️ THẬN TRỌNG:

- Không được vận hành khoá trục khi trục quay đang chuyển động. Dụng cụ có thể bị hỏng.
- Ấn khoá trục để ngăn chuyển động quay của trục quay khi lắp hoặc tháo phụ tùng.

Hoạt động của công tắc (Hình 2)

⚠️ THẬN TRỌNG:

- Trước khi cắm điện cho dụng cụ, luôn kiểm tra xem công tắc trượt có vận hành đúng cách và trở về vị trí “OFF” (TẮT) khi phần sau của công tắc trượt được ấn xuống không.

Để khởi động dụng cụ, trượt công tắc trượt về vị trí “I (ON)” (BẬT). Khi vận hành liên tục, ấn vào phần trước của công tắc trượt để khoá lại.

Để dừng dụng cụ, ấn vào phần sau của công tắc trượt, rồi trượt về vị trí “O (OFF)” (TẮT).

QUÁ TRÌNH LẮP RÁP

⚠️ THẬN TRỌNG:

- Luôn đảm bảo rằng dụng cụ đã được tắt và rút phích cắm trước khi tiến hành bất kỳ công việc nào trên dụng cụ.

Lắp tay nắm bên (tay cầm) (Hình 3)

⚠️ THẬN TRỌNG:

- Luôn đảo bảo rằng tay nắm bên được lắp chắc chắn trước khi vận hành.

Vận chặt tay nắm bên vào đúng vị trí của dụng cụ như minh hoạ trên hình vẽ.

Lắp hoặc tháo vành bảo vệ đĩa (Đối với đĩa lõm tâm, đĩa nhiều lớp/đĩa mài cắt, đĩa kim cương)

Đối với dụng cụ có vành bảo vệ đĩa dạng vít khoá (Hình 4 & 5)

⚠️ CẢNH BÁO:

- Khi sử dụng đĩa mài lõm tâm/đĩa nhiều lớp, đĩa mài dây, chổi mài dây, đĩa cắt hoặc đĩa kim cương, phải lắp vành bảo vệ đĩa vào dụng cụ sao cho phía kín của vành bảo vệ luôn hướng về phía người vận hành.
- Khi sử dụng đĩa cắt/đĩa kim cương, hãy chắc chắn chỉ sử dụng vành bảo vệ đĩa chuyên dụng được thiết kế để sử dụng với đĩa cắt. (Tại một số quốc gia Châu Âu, có thể sử dụng vành bảo vệ thông thường khi sử dụng đĩa kim cương. Tuân thủ quy định ở quốc gia bạn.)

Lắp vành bảo vệ đĩa sao cho phần lõi ra trên vành bảo vệ đĩa thẳng hàng với dấu vạch trên hộp vòng bi. Sau đó xoay vành bảo vệ đĩa đến một góc mà nó có thể bảo vệ người vận hành tùy theo công việc. Đảm bảo siết chặt vít.

Để tháo vành bảo vệ đĩa, hãy làm ngược lại quy trình lắp.

Lắp hoặc tháo đĩa mài lõm tâm/Đĩa nhiều lớp (Hình 6)

Lắp vành trượt lên trục quay. Lắp đĩa lên vành trong và siết đai ốc hãm vào trục quay.

Để siết chặt đai ốc hãm, ấn chắc khoá trục sao cho trục quay không thể quay được, rồi sử dụng chia vận đai ốc hãm để siết chặt theo chiều kim đồng hồ.

(Hình 7)

Để tháo đĩa, hãy làm ngược lại quy trình lắp.

⚠️ CẢNH BÁO:

Chỉ vận hành khoá trục khi trục quay không chuyển động.

Lắp hoặc tháo đĩa mài (phụ tùng tùy chọn) (Hình 8)

CHÚ Ý:

- Sử dụng phụ tùng đánh bóng được chỉ định trong tài liệu này. Phải mua riêng những phụ tùng này.

Lắp đệm cao su vào trục quay. Lắp đĩa lên đệm cao su và siết đai ốc hãm vào trục quay. Để siết chặt đai ốc hãm, ấn chắc khoá trục sao cho trục quay không thể quay được, rồi sử dụng chia vận đai ốc hãm để siết chặt theo chiều kim đồng hồ.

Để tháo đĩa, hãy làm ngược lại quy trình lắp.

VẬN HÀNH

⚠️ CẢNH BÁO:

- Không cần phải dùng lực quá mức trên dụng cụ. Trọng lượng của dụng cụ sẽ tạo ra áp lực vừa đủ. Dùng lực quá mức và áp lực quá lớn có thể khiến đĩa bị nứt vỡ nguy hiểm.
- LUÔN thay thế đĩa nếu dụng cụ bị rơi trong khi đang mài.
- KHÔNG gõ hay đập đĩa mài khi làm việc.
- Tránh làm cho đĩa bị nảy hoặc bật, nhất là khi làm việc với các góc, cạnh sắc, v.v.. Làm như vậy có thể khiến bị mất kiểm soát và dụng cụ sẽ bật ngược lại.
- KHÔNG sử dụng dụng cụ với lưỡi của gỗ và các lưỡi của khác. Khi sử dụng những lưỡi này trên máy mài thường tạo ra va đập và gây mất kiểm soát dẫn đến thương tích cho người.

⚠️ THẬN TRỌNG:

- Sau khi vận hành, luôn tắt dụng cụ và đợi cho tới khi đĩa dừng hẳn trước khi đặt dụng cụ xuống.

Gia công mài và đánh bóng

LUÔN cầm chắc dụng cụ với một tay trên vỏ và tay còn lại trên tay cầm bên. Bật dụng cụ và đặt đĩa lên phôi gia công.

Nói chung, hãy giữ cạnh đĩa ở góc khoảng 15 độ so với bề mặt phôi gia công.

Trong giai đoạn làm quen với đĩa mới, không vận hành máy mài theo chiều B nếu không nó sẽ cắt vào phôi

gia công. Khi cạnh đĩa đã tròn trong quá trình sử dụng, có thể vận hành đĩa theo cả hai chiều A và B. **(Hình 9)**

Gia công với chổi mài hình cốc/chổi sợi hình côn (phụ tùng tùy chọn) (Hình 10)

⚠ THẬN TRỌNG:

• Kiểm tra hoạt động của chổi bằng cách chạy dụng cụ không tải, đảm bảo rằng không có ai ở phía trước hoặc thẳng hàng với chổi.

• Không sử dụng chổi đã hỏng hoặc chổi bị mất cân bằng. Sử dụng chổi đã hỏng có thể làm tăng nguy cơ bị thương tích do tiếp xúc với các dây chổi bị đứt.

Rút phích cắm dụng cụ và đặt ngửa dụng cụ lên để dễ dàng tiếp cận trục quay. Tháo mọi phụ tùng trên trục quay. Lắp chổi mài hình cốc/chổi sợi hình côn vào trục quay và siết chặt bằng chia vận được cung cấp. Khi sử dụng chổi mài, tránh tác dụng áp lực quá lớn, nó sẽ khiến các dây chổi bị cong quá mức và dẫn đến bị đứt sớm.

Gia công với đĩa mài cắt/đĩa kim cương (phụ tùng tùy chọn) (Hình 11)

Chiều lắp đai ốc hãm và vành trong khác nhau tùy độ dày của đĩa.

Hãy tham khảo bảng dưới đây. **(Hình 12)**

⚠ CẢNH BÁO:

• Khi sử dụng đĩa cắt/đĩa kim cương, hãy chắc chắn chỉ sử dụng vành bảo vệ đĩa chuyên dụng được thiết kế để sử dụng với đĩa cắt. (Tại một số quốc gia Châu Âu, có thể sử dụng vành bảo vệ thông thường khi sử dụng đĩa kim cương. Tuân thủ quy định ở quốc gia bạn.)

• **KHÔNG** sử dụng đĩa cắt để mài cạnh.

• Không “ép chặt” đĩa hoặc tác dụng áp lực quá lớn. Không cố tạo vết cắt quá sâu. Tác dụng ứng suất quá mức lên đĩa làm tăng tải và khả năng bị vận xoắn hoặc uốn cong của đĩa trong khi cắt và tăng khả năng bị bật ngược lại, đĩa bị vỡ và mô tơ bị quá nhiệt.

• Không bắt đầu thao tác cắt ngay từ phôi gia công. Hãy để đĩa đạt tới vận tốc tối đa và bắt đầu cắt cẩn thận bằng cách đưa dụng cụ vào bề mặt phôi gia công. Đĩa có thể bị kẹt, nảy lên hoặc bật ngược lại nếu khởi động dụng cụ máy từ phôi gia công.

• Trong quá trình cắt, không thay đổi góc của đĩa. Đặt áp lực bên lên đĩa cắt (như trong khi mài) sẽ làm cho đĩa bị nứt và vỡ, gây ra thương tích nghiêm trọng cho người.

• Phải vận hành đĩa kim cương vuông góc với vật liệu sẽ cắt.

BẢO DƯỠNG

⚠ THẬN TRỌNG:

• Luôn đảm bảo tắt dụng cụ và rút phích cắm trước khi cố gắng thực hiện kiểm tra hoặc bảo dưỡng.

• Không bao giờ dùng xăng, ét xăng, dung môi, cồn hoặc hóa chất tương tự. Có thể xảy ra hiện tượng mất màu, biến dạng hoặc nứt vỡ. **(Hình 13)**

Phải giữ sạch dụng cụ và các lỗ thông gió. Thường xuyên làm sạch các lỗ thông gió của dụng cụ hoặc bất cứ khi nào lỗ thông gió bị tắc.

Để duy trì ĐỘ AN TOÀN và ĐỘ TIN CẬY của sản phẩm, việc sửa chữa, kiểm tra và thay chổi than cũng như mọi bảo dưỡng hoặc điều chỉnh khác đều phải do Trung tâm Bảo trì Được ủy quyền của Makita thực hiện, luôn sử dụng các bộ phận thay thế của Makita.

PHỤ KIỆN TÙY CHỌN

⚠ THẬN TRỌNG:

• Các phụ tùng hoặc phụ kiện này được khuyến nghị sử dụng với dụng cụ Makita của bạn được chỉ định trong tài liệu này. Việc sử dụng bất kỳ phụ tùng hoặc phụ kiện nào khác có thể dẫn đến rủi ro thương tích cho con người. Chỉ sử dụng phụ tùng hoặc phụ kiện với mục đích được nêu.

Nếu bạn cần bất kỳ sự hỗ trợ nào để biết thêm chi tiết về các phụ tùng này, hãy hỏi Trung tâm Bảo trì Makita tại địa phương của bạn.

- Vành bảo vệ đĩa (Nắp che đĩa) Dành cho đĩa lôm tâm/đĩa nhiều lớp
- Vành bảo vệ đĩa (Nắp che đĩa) Dành cho đĩa mài cắt/đĩa kim cương
- Đĩa mài lôm tâm
- Đĩa mài cắt
- Đĩa nhiều lớp
- Đĩa kim cương
- Chổi mài hình cốc
- Chổi sợi hình côn 85
- Đĩa mài
- Vành trong
- Đai ốc hãm Dành cho đĩa lôm tâm/đĩa mài cắt/đĩa nhiều lớp/đĩa kim cương
- Đai ốc hãm Dành cho đĩa mài
- Chia vận đai ốc hãm
- Tay nắm bên

CHÚ Ý:

• Một số mục trong danh sách có thể được bao gồm trong gói dụng cụ làm các phụ kiện chuẩn. Các mục này ở mỗi quốc gia có thể khác nhau.

คำอธิบายของมุมมองทั่วไป

- | | | |
|-----------------------------|------------------------------------|-------------------------------------|
| 1. ตัวล็อกเพลลา | 8. หน้าแปลนด้านใน | 15. ไม้ตัดโลหะ |
| 2. สวิตช์เลื่อน | 9. ประแจหนีตล๊อค | 16. ความหนา: น้อยกว่า 4 มม. (5/32") |
| 3. ฝาครอบใบเจีย | 10. แผ่นขัด | 17. ความหนา: 4 มม. (5/32") ขึ้นไป |
| 4. สกรู | 11. ยางรอง | 18. ไม้ตัดเพชร |
| 5. ก่องตลับลูกปืน | 12. แปรงลวดรูปถ้วย/แปรงลวดมุมเฉียง | 19. ช่องระบายอากาศ |
| 6. หนีตล๊อค | 13. ไม้ตัดโลหะ/ไม้ตัดเพชร | 20. ช่องอากาศเข้า |
| 7. ใบเจียศูนย์จัม/จานประกอบ | 14. ฝาครอบไม้ตัดโลหะ/ไม้ตัดเพชร | |

ข้อมูลทางเทคนิค

รุ่น	9553NB	9554NB	9555NB
เส้นผ่าศูนย์กลางของใบเจียศูนย์จัม	100 มม.	115 มม.	125 มม.
ความหนาสูงสุดของใบเจีย	6.4 มม.	6.4 มม.	6.4 มม.
เกลียวจัม	M10	M14	M14
อัตราความเร็ว (n)/ความเร็วขณะเดินเครื่องเปล่า (n ₀)	11,000 นาที ⁻¹	10,000 นาที ⁻¹	10,000 นาที ⁻¹
ความยาวทั้งหมด	258 มม.	258 มม.	258 มม.
น้ำหนักสุทธิ	1.8 กก.	1.8 กก.	1.9 กก.
ระดับความปลอดภัย	II/II		

- เนื่องจากการวิจัยและการพัฒนาของเขาเป็นแผนงานต่อเนื่อง ดังนั้นข้อมูลเทคนิคที่ระบุในเอกสารนี้อาจมีการเปลี่ยนแปลงโดยไม่ต้องแจ้งให้ทราบล่วงหน้า
- ข้อมูลเทคนิคอาจแตกต่างกันในแต่ละประเทศ
- น้ำหนักตามข้อบังคับของ EPTA 01/2003

สัญลักษณ์

END202-8

ต่อไปนี้เป็นสัญลักษณ์ที่ใช้สำหรับอุปกรณ์ โปรดศึกษาความหมายของสัญลักษณ์ให้เข้าใจก่อนการใช้งาน



..... อ่านคู่มือการใช้งาน



..... จำนวนหุ้มสองชั้น



..... สวมแว่นตานิรภัย

วัตถุประสงค์การใช้งาน

ENE048-1

เครื่องมือชนิดนี้ผลิตขึ้นเพื่อใช้สำหรับการเจีย การขัดผิวลคม การตัดโลหะและหินก่อสร้างต่างๆ โดยไม่ต้องใช้น้ำ

การจ่ายไฟ

ENF002-2

ต้องเชื่อมต่อเครื่องมือกับเครื่องจ่ายไฟที่มีแรงเคลื่อนไฟฟ้าตามที่ระบุไว้ในป้ายข้อมูลเครื่องจักร และจะต้องใช้ไฟฟ้ากระแสสลับแบบฟาสต์เดวเท่านั้น เครื่องนี้มีฉนวนหุ้มสองชั้นดังนั้นจึงสามารถใช้เสียบเต้ารับไฟฟ้าที่ไม่มีสายดินได้

คำเตือนด้านความปลอดภัยสำหรับ
เครื่องมือไฟฟ้าทั่วไป

GEA005-3

⚠ คำเตือน

อ่านคำเตือนด้านความปลอดภัยและคำแนะนำทั้งหมด

การไม่ปฏิบัติตามคำเตือนและคำแนะนำดังกล่าวอาจส่งผลให้เกิดไฟฟ้าช็อต ไฟไหม้ และ/หรือได้รับบาดเจ็บอย่างร้ายแรง

เก็บรักษาคำเตือนและคำแนะนำทั้งหมดไว้เป็นข้อมูลอ้างอิงในอนาคต

คำว่า "เครื่องมือไฟฟ้า" ในคำเตือนนี้ หมายถึง เครื่องมือไฟฟ้า (มีสาย) ที่ทำงานโดยใช้กระแสไฟฟ้า หรือเครื่องมือไฟฟ้า (ไร้สาย) ที่ทำงานโดยใช้แบตเตอรี่

ความปลอดภัยของพื้นที่ทำงาน

- ดูแลพื้นที่ทำงานให้มีความสะอาดและมีแสงไฟสว่าง พื้นที่ที่กระเบื้องกระเบื้องหรือมีดที่บิดอาจนำไปสู่การเกิดอุบัติเหตุได้
- อย่าใช้งานเครื่องมือไฟฟ้าในสภาพที่อาจเกิดการระเบิด เช่น ในสถานที่ที่มีของเหลว ก๊าซ หรือฝุ่นผงที่มีคุณสมบัติ

ไวไฟ เครื่องมือไฟฟ้าจะสร้างประกายไฟเพื่อจุดขมวนฝุ่นผงหรือก๊าซดังกล่าว

3. **ดูแลไม่ให้มีเด็ก ๆ หรือบุคคลอื่นอยู่ในบริเวณที่กำลังใช้เครื่องมือไฟฟ้า** การมีสิ่งรบกวนสมาธิอาจทำให้คุณสูญเสียการควบคุม

ความปลอดภัยด้านไฟฟ้า

4. **ปลั๊กของเครื่องมือไฟฟ้าต้องพอดีกับเต้ารับ** อย่าตัดแปลงปลั๊กไม่ว่ากรณีใด ๆ อย่าใช้ปลั๊กอะแดปเตอร์กับเครื่องมือไฟฟ้าที่ต่อสายดิน (กราวด์) ปลั๊กที่ไม่ถูกต้องและเต้ารับไฟที่เข้ากันพอดีจะช่วยลดความเสี่ยงของการเกิดไฟฟ้าช็อต
5. **ระวังอย่าให้ร่างกายสัมผัสกับพื้นผิวที่ต่อสายดิน เช่น ท่อเครื่องทำความร้อน เครื่องใช้ไฟฟ้าในครัว และตู้เย็น** มีความเสี่ยงที่จะเกิดไฟฟ้าช็อตสูงขึ้น หากร่างกายของคุณสัมผัสกับพื้น
6. **อย่าให้เครื่องมือไฟฟ้าถูกน้ำหรืออยู่ในสภาพเปียกชื้น** น้ำที่ไหลเข้าไปในเครื่องมือไฟฟ้าจะเพิ่มความเสี่ยงของการเกิดไฟฟ้าช็อต
7. **อย่าใช้สายไฟอย่างที่ไม่เหมาะสม** อย่าใช้สายไฟเพื่อยก ดึง หรือ ถอดปลั๊กเครื่องมือไฟฟ้า เก็บสายไฟให้ห่างจากความร้อน น้ำมัน ของมีคม หรือชิ้นส่วนที่เคลื่อนที่ สายที่ชำรุดหรือพันกันจะเพิ่มความเสี่ยงของการเกิดไฟฟ้าช็อต
8. **ขณะที่ใช้งานเครื่องมือไฟฟ้ากลางแจ้ง ควรใช้สายต่อพ่วงที่เหมาะสมกับงานกลางแจ้ง** การใช้สายที่เหมาะสมกับงานกลางแจ้งจะลดความเสี่ยงของการเกิดไฟฟ้าช็อต
9. **หากต้องใช้งานเครื่องมือไฟฟ้าในสถานที่เปียกชื้น ให้ใช้อุปกรณ์ป้องกันกระแสไฟรั่ว (RCD) การใช้ RCD จะลดความเสี่ยงของการเกิดไฟฟ้าช็อต**
10. **ขอแนะนำให้ใช้แหล่งจ่ายไฟผ่าน RCD ที่มีกระแสไฟรั่วในอัตราไม่เกิน 30 mA เสมอ**

ความปลอดภัยส่วนบุคคล

11. **ให้ระมัดระวัง และสังเกตเสมอว่าคุณกำลังทำสิ่งใดอยู่ และใช้สามัญสำนึกในขณะที่ใช้งานเครื่องมือไฟฟ้า** อย่าใช้งานเครื่องมือไฟฟ้าในขณะที่คุณกำลังเหนื่อย หรือในสภาพที่มึนเมาจากยาเสพติด เครื่องดื่มแอลกอฮอล์ หรือการเข้ายา ช่วงเวลาที่ขาดความระมัดระวังเมื่อกำลังใช้งานเครื่องมือไฟฟ้าอาจทำให้คุณได้รับบาดเจ็บอย่างรุนแรง
12. **ใช้อุปกรณ์ป้องกันส่วนบุคคล สวมแว่นตาป้องกันเสมอ** อุปกรณ์ป้องกัน เช่น หน้ากากกันฝุ่น รองเท้านิรภัยกันสั่น หมวกนิรภัย หรือเครื่องป้องกันการได้ยินที่ใช้ในสภาพที่เหมาะสมจะช่วยลดการบาดเจ็บ
13. **ป้องกันไม่ให้เปิดใช้งานอย่างไม่มีตั้งใจ** ตรวจสอบว่าสวิตช์อยู่ในตำแหน่งปิดก่อนเชื่อมต่อกับแหล่งจ่ายไฟ และ/หรือ ชุดแบตเตอรี่ หรือก่อนการยกหรือถือเครื่องมือ การถอดนิ้วมือบริเวณสวิตช์เพื่อถือเครื่องมือไฟฟ้า หรือการชาร์จไฟ

เครื่องมือไฟฟ้าในขณะที่เปิดสวิตช์อยู่อาจนำไปสู่การเกิดอุบัติเหตุ

14. **นำกฎแฉับรับแต่งหรือประแจออกก่อนที่จะเปิดเครื่องมือไฟฟ้า** ประแจหรือคีมที่เสียบค้างอยู่ในชิ้นส่วนที่หมุนได้ของเครื่องมือไฟฟ้าอาจทำให้คุณได้รับบาดเจ็บ
15. **อย่าทำงานในระบะที่มืดเอี่ยม จัดทำการยืนและการทรงตัวให้เหมาะสมตลอดเวลา** เพราะจะทำให้ควบคุมเครื่องมือไฟฟ้าได้ดีขึ้นในสถานการณ์ที่ไม่คาดคิด
16. **แต่งกายให้เหมาะสม** อย่าสวมเครื่องแต่งกายที่หลวมเกินไป หรือสวมเครื่องประดับ ดูแลไม่ให้เส้นผม เสื้อผ้า และถุงมืออยู่ใกล้ชิ้นส่วนที่เคลื่อนที่ เสื้อผ้า ร่ม ร่ม และถุงมืออยู่ใกล้ชิ้นส่วนที่เคลื่อนที่ เสื้อผ้า ร่ม ร่ม เครื่องประดับ หรือผมที่มีความยาวอาจเข้าไปติดในชิ้นส่วนที่เคลื่อนที่
17. **หากมีการจัดอุปกรณ์สำหรับดูดและจัดเก็บฝุ่นไว้ในสถานที่ ให้ตรวจสอบว่าได้เชื่อมต่อและใช้งานอุปกรณ์นั้นอย่างเหมาะสม** การใช้เครื่องดูดและจัดเก็บฝุ่นจะช่วยลดอันตรายที่เกิดจากฝุ่นผงได้

การใช้และดูแลเครื่องมือไฟฟ้า

18. **อย่าฝืนใช้เครื่องมือไฟฟ้า ใช้เครื่องมือไฟฟ้าที่เหมาะสมกับการใช้งานของคุณ** เครื่องมือไฟฟ้าที่เหมาะสมจะทำให้ได้งานที่มีประสิทธิภาพและปลอดภัยกว่าตามขีดความสามารถของเครื่องที่ได้รับการออกแบบมา
19. **อย่าใช้เครื่องมือไฟฟ้า หากสวิตช์ไม่สามารถเปิดปิดได้** เครื่องมือไฟฟ้าที่ใช้สวิตช์ควบคุมไม่ได้จัดเป็นอันตรายและต้องได้รับการซ่อมแซม
20. **ถอดปลั๊กจากแหล่งจ่ายไฟ และ/หรือชุดแบตเตอรี่ออกจากเครื่องมือไฟฟ้าก่อนทำการปรับแต่ง เปลี่ยนอุปกรณ์เสริม หรือจัดเก็บเครื่องมือไฟฟ้า** วิธีการป้องกันด้านความปลอดภัยดังกล่าวจะช่วยลดความเสี่ยงของการเปิดใช้งานเครื่องมือไฟฟ้าอย่างไม่มีตั้งใจ
21. **จัดเก็บเครื่องมือไฟฟ้าที่ไม่ได้ใช้งานให้ห่างจากมือเด็ก และอย่าอนุญาตให้บุคคลที่ไม่คุ้นเคยกับเครื่องมือไฟฟ้า หรือคำแนะนำเหล่านี้ใช้งานเครื่องมือไฟฟ้า** เครื่องมือไฟฟ้าจะเป็นอันตรายเมื่ออยู่ในมือของผู้ที่ไม่ได้รับการฝึกอบรม
22. **การดูแลเครื่องมือไฟฟ้า ตรวจสอบการประกอบที่ไม่ถูกต้องหรือการเชื่อมต่อของชิ้นส่วนที่เคลื่อนที่ การแตกหักของชิ้นส่วน และสภาพอื่นๆ ที่อาจส่งผลกระทบต่อการทำงานของเครื่องมือไฟฟ้า** หากมีความเสียหาย ให้นำเครื่องมือไฟฟ้าไปซ่อมแซมก่อนการใช้งาน อุบัติเหตุจำนวนมากเกิดจากการดูแลรักษาเครื่องมือไฟฟ้าอย่างไม่ถูกต้อง
23. **ล้างความคมและทำความสะอาดเครื่องมือการตัดอยู่เสมอ** เครื่องมือการตัดที่มีการดูแลอย่างถูกต้องและมีขอบการตัดคมมักจะมีปัญหาติดขัดน้อยและควบคุมได้ง่ายกว่า

- ใช้เครื่องมือไฟฟ้า อุปกรณ์เสริม และวัสดุสิ้นเปลือง ฯลฯ ตามคำแนะนำดังกล่าว พิจารณาสภาพการทำงานและงานที่จะลงมือทำ การใช้เครื่องมือไฟฟ้าเพื่อทำงานอื่น นอกเหนือจากที่กำหนดไว้อาจทำให้เกิดอันตราย

การบริการ

- นำเครื่องมือไฟฟ้าเข้ารับบริการจากช่างซ่อมที่ผ่านการรับรองโดยช่างะไหลแบบเดียวกันเท่านั้น เพราะจะทำให้การใช้เครื่องมือไฟฟ้ามีความปลอดภัย
- ปฏิบัติตามคำแนะนำในการหล่อลื่นและการเปลี่ยนอุปกรณ์เสริม
- ดูแลมือจับให้แห้ง สะอาด และไม่มีน้ำมันและจาระบีเปื้อน

คำเตือนด้านความปลอดภัยของเครื่องเจีย

GEB033-7

คำเตือนด้านความปลอดภัยทั่วไปสำหรับการทำงานเจีย การขัดผิวลวดคม การใช้แปรงลวด หรือการตัดโลหะ:

- เครื่องมือไฟฟ้าชนิดนี้ผลิตขึ้นเพื่อใช้ทำงานเป็นเครื่องเจีย เครื่องขัดผิวลวดคม แปรงลวด หรือเครื่องตัด อ่านคำเตือนด้านความปลอดภัย คำแนะนำ ภาพประกอบ และข้อมูลทางเทคนิคทั้งหมดที่มีมากับเครื่องมือไฟฟ้านี้ การไม่ปฏิบัติตามคำแนะนำดังกล่าวทั้งหมดที่แสดงอยู่ด้านล่าง อาจส่งผลให้เกิดไฟฟ้าช็อต ไฟไหม้ และ/หรือได้รับบาดเจ็บอย่างร้ายแรง
- ไม่แนะนำให้ใช้เครื่องมือไฟฟ้านี้ทำงานต่างๆ เช่น การขัดเงา การใช้งานเครื่องมืออื่นนอกเหนือจากวัตถุประสงค์ที่ได้ออกแบบมาอาจก่อให้เกิดอันตรายและทำให้ได้รับบาดเจ็บ
- อย่าใช้อุปกรณ์เสริมที่ไม่ได้ออกแบบมาโดยเฉพาะและ ไม่แนะนำให้จากผู้ผลิตเครื่องมืออื่น แม้ว่าอุปกรณ์เสริมนี้จะสามารถประกอบเข้ากับเครื่องมือไฟฟ้าได้ แต่ก็ไม่ได้รับประกันว่าการใช้งานจะมีความปลอดภัย
- อัตราความเร็วของอุปกรณ์เสริมต้องเท่ากับความเร็วสูงสุดที่ระบุไว้บนเครื่องมือไฟฟ้าเป็นอย่างน้อย อุปกรณ์เสริมที่ทำงานเร็วกว่าอัตราความเร็วของเครื่องอาจชำรุดแตกหักหรือกระเด็นออกมา
- เส้นผ่านศูนย์กลางภายนอกและความหนาของอุปกรณ์เสริมต้องอยู่ภายในขนาดที่กำหนดของเครื่องมือไฟฟ้า เพราะจะไม่สามารถป้องกันหรือควบคุมอุปกรณ์เสริมที่มีขนาดไม่ถูกต้องได้อย่างเหมาะสม
- ตัวยึดที่เป็นเกลียวของอุปกรณ์เสริมต้องพอดีกับเกลียวจับของเครื่องเจีย สำหรับอุปกรณ์เสริมที่ยึดด้วยหน้าแปลน รูของอุปกรณ์เสริมต้องพอดีกับเส้นผ่านศูนย์กลางบังคับตำแหน่งของหน้าแปลน อุปกรณ์เสริมที่ไม่พอดีกับตัวยึดของเครื่องมือไฟฟ้าจะ

- ทำงานอย่างไม่สมดุล สั่นสะเทือนแรงเกินไป และอาจทำให้สูญเสียการควบคุมได้
- อย่าใช้งานอุปกรณ์เสริมที่ชำรุดเสียหาย ก่อนการใช้งานแต่ละครั้ง ให้ตรวจสอบอุปกรณ์เสริมต่างๆ เช่น ใบเจีย ว่ามีการแตกหักและชำรุดเสียหายหรือไม่ แผ่นรองมีการชำรุด ฉีกขาด หรือสึกหรอเกินไปหรือไม่ และแปรงลวดว่าลวดหลวมหรือชำรุดเสียหายหรือไม่ หากเครื่องมือไฟฟ้าหรืออุปกรณ์เสริมร่วงหล่นกับพื้น ให้ตรวจสอบความชำรุดเสียหาย หรือประกอบอุปกรณ์เสริมที่ไม่ได้ได้รับความเสียหาย หลังจากการตรวจสอบและการประกอบอุปกรณ์เสริม คุณและบุคคลรอบข้างควรอยู่ห่างจากระยะของอุปกรณ์เสริมที่กำลังหมุนอยู่ จากนั้นให้เปิดเครื่องมือไฟฟ้าด้วยความเร็วสูงสุดขณะเดินเครื่องเปล่าประมาณหนึ่งนาที โดยปกติแล้วอุปกรณ์เสริมที่ชำรุดเสียหายจะแตกหักออกมาในช่วงเวลาของการทดสอบนี้
 - สวมใส่อุปกรณ์ป้องกันส่วนบุคคล ใช้หน้ากากป้องกันหน้า แว่นครอบตาทั้งผู้ผู้/ลม หรือแว่นตานิรภัยตามลักษณะการใช้งาน ให้สวมหมวกกันน็อก เครื่องป้องกันการได้ยิน ถุงมือและชุดป้องกันที่สามารถป้องกันเศษชิ้นงานหรือเศษผงจากการขัดถูชิ้นเล็ก ๆ ตามความเหมาะสม ชุดป้องกันสายตาต้องสามารถป้องกันเศษชิ้นงานที่ปลิวอยู่ในอากาศซึ่งเกิดจากการทำงานในรูปแบบต่างๆ หน้ากากกันฝุ่นหรือหน้ากากป้องกันพิษต้องสามารถกรองอนุภาคเล็กๆ ที่เกิดจากการทำงานของคุณ การได้ยินเสียงรบกวนที่มีความดังสูงติดต่อกันเป็นเวลานานอาจทำให้สูญเสียการได้ยิน
 - จัดให้บุคคลรอบข้างอยู่ในระยะห่างที่ปลอดภัยจากพื้นที่การทำงาน บุคคลที่เข้าสู่พื้นที่การทำงานต้องสวมใส่ชุดอุปกรณ์ป้องกัน เศษชิ้นงานหรืออุปกรณ์เสริมที่แตกหักอาจปลิวกระเด็นออกมา และเป็นสาเหตุให้ได้รับบาดเจ็บได้โดยตรงจากพื้นที่การทำงาน
 - ถือเครื่องมือไฟฟ้าบริเวณมือจับที่มีฉนวนหุ้มเท่านั้น ขณะทำงานอุปกรณ์เสริมที่ใช้ตัดอาจสัมผัสกับสายไฟที่ซ่อนอยู่หรือสายไฟของเครื่องเอง ชิ้นส่วนของเครื่องมือตัดที่สัมผัสกับสายไฟที่ "มีกระแสไฟฟ้าไหลผ่าน" อาจทำให้ส่วนที่เป็นโลหะของเครื่องมือไฟฟ้าที่ไม่มีฉนวนหุ้ม "มีกระแสไฟฟ้าไหลผ่าน" และทำให้ผู้ปฏิบัติงานถูกไฟฟ้าช็อตได้
 - จัดตำแหน่งให้สายไฟอยู่ห่างจากอุปกรณ์เสริมที่กำลังหมุนอยู่ หากคุณสูญเสียการควบคุม สายไฟอาจถูกตัดหรือถูกเกี่ยวและทำให้มือหรือแขนของคุณถูกดึงเข้าไปในอุปกรณ์เสริมที่กำลังหมุนอยู่
 - อย่าวางเครื่องมือไฟฟ้าลง จนกว่าอุปกรณ์เสริมจะหยุดทำงานจนสนิท อุปกรณ์เสริมที่กำลังหมุนอยู่อาจสัมผัสถูกพื้นและดึงเครื่องมือไฟฟ้าจนหลุดจากการควบคุมของคุณ

13. **อย่าเปิดสวิตช์เครื่องมือไฟฟ้า ในขณะที่กำลังถือเครื่องหันมาทางตัวของคุณเอง** การสัมผัสกับอุปกรณ์เสริมที่กำลังหมุนอยู่โดยไม่ตั้งใจอาจเกี่ยวข้องกับเสื้อผ้าของคุณ ซึ่งจะดึงอุปกรณ์เสริมเข้าหาตัวคุณได้
14. **ให้ทำความสะอาดช่องระบายอากาศของเครื่องมือไฟฟ้าอย่างสม่ำเสมอ** พัดลมของมอเตอร์จะพัดเศษฝุ่นผงเข้าไปภายในเครื่องและการสะสมของเศษผงโลหะที่มากเกินไปอาจทำให้เกิดอันตรายจากไฟฟ้าช็อตได้
15. **อย่าใช้เครื่องมือไฟฟ้าใกล้วัตถุไวไฟ** ประกายไฟอาจทำให้เกิดจุดด่างกลวงลุกไหม้
16. **อย่าใช้อุปกรณ์เสริมที่ต้องมีน้ำยาหล่อเย็น** การใช้หรือน้ำยาหล่อเย็นอื่นๆ อาจทำให้ได้รับอันตรายจากไฟฟ้าช็อตหรือไฟฟ้าช็อต

การติดกลับและคำเตือนที่เกี่ยวข้อง

การติดกลับ คือ ปฏิกริยาสะท้อนกลับที่เกิดขึ้นทันทีจากการกระทบหรือการเกี่ยว กับใบเจีย แผ่นรอง แปรง หรืออุปกรณ์เสริมอื่นๆ การกระทบหรือการเกี่ยวทำให้ให้อุปกรณ์เสริมที่กำลังหมุนอยู่หยุดทำงานทันที ซึ่งเป็นสาเหตุให้เครื่องมือไฟฟ้าที่ไม่สามารถควบคุมได้ถูกผลักให้ไปอยู่ในทิศทางตรงกันข้ามกับการหมุนของอุปกรณ์เสริม ณ จุดที่มีการสัมผัส

ตัวอย่างเช่น หากใบเจียเกี่ยวหรือกระทบกับชิ้นงาน ขอบของใบเจียในจุดที่มีการกระทบจะกินลึกเข้าไปในพื้นผิวของวัสดุซึ่งจะเป็นสาเหตุให้ใบเจียป็นออกมาหรือติดกลับ ใบเจียอาจดีดเข้าหาหรือออกจากผู้ใช้งาน ขึ้นอยู่กับทิศทางของการเคลื่อนที่ของใบเจีย ณ จุดที่มีการกระทบ และอาจทำให้ใบเจียขาดแตกหักในสภาพดังกล่าว การติดกลับคือผลจากการใช้งานเครื่องมือไฟฟ้าผิดวัตถุประสงค์ และ/หรือขั้นตอนหรือสภาพการปฏิบัติงานไม่ถูกต้อง แต่สามารถหลีกเลี่ยงได้หากใช้มาตรการป้องกันที่เหมาะสมต่อไปนี้

- a) **ถือมือจับของเครื่องมือไฟฟ้าอย่างมั่นคง และจัดตำแหน่งร่างกายและแขนของคุณให้สามารถต้านทานแรงติดกลับได้** ใช้มือจับเสริมเสมอ (ถ้ามี) เพื่อให้สามารถควบคุมได้อย่างเต็มที่เมื่อมีการติดกลับหรือเกิดปฏิกิริยาของแรงบิดระหว่างการเปิดใช้งานเครื่อง ผู้ปฏิบัติงานสามารถควบคุมปฏิกิริยาของแรงบิดหรือแรงติดกลับได้ หากใช้มาตรการป้องกันที่เหมาะสม
- b) **อย่าให้มืออยู่ใกล้อุปกรณ์เสริมที่กำลังหมุนอยู่** อุปกรณ์เสริมนั้นอาจติดกลับมาที่มือของคุณ
- c) **อย่าให้ตัวของคุณเข้าไปอยู่ในระยะที่เครื่องมือไฟฟ้าจะเคลื่อนที่** หากมีการติดกลับเกิดขึ้น การติดกลับอาจผลักเครื่องมือให้ไปในทิศทางตรงข้ามกับการเคลื่อนที่ของใบเจีย ณ จุดที่มีการเกี่ยวกัน
- d) **ใช้ความระมัดระวังเป็นพิเศษเมื่อกำลังทำงานกับมุม** ขอบที่มีความคม ฯลฯ ป้องกันไม่ให้มีการติดกลับหรือการเกี่ยวของอุปกรณ์เสริม มุม ขอบที่มีความคม หรือ

การติดกลับอาจเกี่ยวข้องกับอุปกรณ์เสริมที่กำลังหมุนอยู่ และเป็นสาเหตุให้สูญเสียการควบคุมหรือการติดกลับ

e) **อย่าใส่ใบเลื่อยแกะสลักที่ไม่มีโช้หรือใบเลื่อยแบบมีฟันใบเลื่อยดังกล่าวมักทำให้เครื่องติดกลับหรือสูญเสียการควบคุม** คำเตือนด้านความปลอดภัยสำหรับการเจียและการตัดโลหะโดยเฉพาะ:

- a) **ใช้ใบเจีย/ใบตัดในประเภทที่แนะนำสำหรับเครื่องมือไฟฟ้าของคุณและฝาครอบที่ออกแบบมาโดยเฉพาะกับใบเจีย/ใบตัดที่เลือกไว้เท่านั้น** ใบเจีย/ใบตัดที่ไม่ได้ออกแบบมาสำหรับเครื่องมือไฟฟ้าจะไม่สามารถป้องกันได้อย่างเพียงพอ และไม่มีความปลอดภัย
- b) **พื้นผิวการเจียของใบเจียศูนย์จมต้อยอยู่ใต้ระนาบของขอบป้องกัน** ขอบป้องกันจะไม่สามารถป้องกันใบเจียที่ยึดไม่ถูกต้องที่ยื่นออกมาจากระนาบของขอบป้องกันได้
- c) **ต้องประกอบฝาครอบเข้ากับเครื่องมือไฟฟ้าอย่างแน่นหนาและจัดวางตำแหน่งให้มีความปลอดภัยที่สุด** โดยให้ใบเจีย/ใบตัดในส่วนที่ไม่มีฝาครอบหันไปทางผู้ปฏิบัติงานน้อยที่สุด เครื่องป้องกันจะช่วยปกป้องผู้ปฏิบัติงานจากเศษใบเจีย/ใบตัดที่แตกหัก การสัมผัสกับใบเจีย/ใบตัดโดยไม่ตั้งใจ และสะเก็ดไฟที่อาจลุกติดเสื้อผ้า
- d) **ต้องใช้ใบเจีย/ใบตัดตามการใช้งานที่แนะนำเท่านั้น** ตัวอย่างเช่น: **อย่าเจียโดยใช้ด้านข้างของใบตัด** ใบตัดโลหะผลิตขึ้นมาเพื่อใช้ในการเจียจากขอบด้านนอก การใช้แรงกดด้านข้างของใบตัดอาจทำให้ใบตัดแตกหักได้
- e) **ใช้ขอบใบเจีย/ใบตัดที่ไม่ใช่รูตัดเสียหายโดยมีขนาดและรูปร่างที่เหมาะสมกับใบเจีย/ใบตัดที่คุณเลือกไว้เสมอ** หน้าแปลนของใบตัดที่เหมาะสมจะช่วยให้ยึดใบตัดไว้ จึงช่วยลดโอกาสของการที่ใบตัดจะขาดเสียหาย ขอบของใบตัดอาจมีขนาดแตกต่างจากขอบของใบเจีย
- f) **อย่าใช้ใบเจีย/ใบตัดที่สึกหรอจากเครื่องมือไฟฟ้าที่มีขนาดใหญ่กว่า** ใบเจีย/ใบตัดที่ใช้สำหรับเครื่องมือไฟฟ้าที่มีขนาดใหญ่กว่าไม่เหมาะสมกับเครื่องมือที่มีขนาดเล็กกว่า และมีความเร็วสูงกว่า และอาจแตกหักได้

คำเตือนด้านความปลอดภัยเพิ่มเติมสำหรับการตัดโลหะโดยเฉพาะ:

- a) **อย่า "กด" ใบตัดหรือใช้แรงดันมากเกินไป** อย่าพยายามสร้างรอยตัดให้ลึกเกินไป การใช้แรงกดใบตัดมากเกินไปจะเป็นการเพิ่มภาระในการทำงานและอาจทำให้ใบตัดบิดหรือโค้งงอในขณะตัดได้ง่าย และมีโอกาสที่จะเกิดการติดกลับหรือการแตกหักของใบตัด
- b) **อย่าให้ร่างกายของคุณอยู่ในตำแหน่งเดียวกันหรืออยู่ด้านหลังใบตัดที่กำลังหมุน** เมื่อใบตัดกำลังเคลื่อนที่ออกห่างจากคุณ ณ จุดที่กำลังทำงานอยู่ การติดกลับที่อาจเกิดขึ้นจะผลักให้ใบตัดที่กำลังหมุนและเครื่องมือไฟฟ้าเข้าหาคุณ

- c) เมื่อไปตัดติดขัดหรือเมื่อมีการขัดจังหวะการตัดด้วยเหตุผลบางประการ ให้ปิดสวิตช์เครื่องมือไฟฟ้า และถือเครื่องมือไว้ไม่ให้เคลื่อนไหว จนกว่าใบตัดจะหยุดหมุนจนสนิท อย่าพยายามนำเอาใบตัดออกจากการตัด เมื่อใบตัดกำลังเคลื่อนที่ มิฉะนั้นการเกิดการติดกลับขึ้น การตรวจสอบและการดำเนินการแก้ไขจะช่วยกำจัดสาเหตุการติดขัดของใบตัดได้
- d) อย่าเริ่มการตัดในชั้นงาน ปล่อยให้ใบตัดหมุนจนถึงความเร็วสูงสุดและค่อย ๆ เข้าสู่การตัดช้าอย่างระมัดระวัง ใบตัดอาจติดขัง ปีนขึ้น หรือติดกลับ หากเปิดเครื่องมือไฟฟ้าซ้ำในขณะที่เครื่องอยู่ในชั้นงาน
- e) การยึดแผ่นรองหรือชั้นงานที่มีขนาดใหญ่เกินไปจะช่วยลดความเสี่ยงของการติดขัดและการติดกลับของใบตัด ชั้นงานขนาดใหญ่มักจะห้อยตกลงมาเนื่องจากน้ำหนักของมัน ดังนั้นจะต้องมีตัวยึดวางไว้ข้างใต้ชั้นงานใกล้แนวการตัดและใกล้ขอบของชั้นงานทั้งสองด้านของใบตัด
- f) ใช้ความระมัดระวังเป็นพิเศษ เมื่อทำ "การตัดช่อง" ในผนังที่มีอยู่เดิมหรือในพื้นที่คาบอดอื่น ๆ ใบตัดที่ยื่นออกมาอาจตัดไปถูกท่อส่งแก๊สหรือท่อน้ำ สายไฟ หรือวัตถุอื่น ๆ ที่อาจทำให้เกิดการติดกลับ

คำเตือนด้านความปลอดภัยสำหรับการขัดโดยเฉพา:

- a) อย่าใช้กระดาษทรายที่มีขนาดใหญ่เกินไป ปฏิบัติตามคำแนะนำของผู้ผลิตเมื่อทำการเลือกกระดาษทราย กระดาษทรายขนาดใหญ่ที่มีพื้นที่เกินออกมานอกแผ่นรอง อาจเสี่ยงต่อการฉีกขาด และอาจทำให้จานถูกเกี่ยว ฉีกขาด หรือเกิดการติดกลับได้

คำเตือนด้านความปลอดภัยสำหรับการแปรงลวดโดยเฉพา:

- a) ระมัดระวังอย่าให้เส้นลวดหลุดร่วงออกจากแปรง แม้ในขณะที่ใช้งานตามปกติ อย่ากดเส้นลวดแรงโดยการลงน้ำหนักที่แปรงมากเกินไป เส้นลวดสามารถแทงทะลุเสื้อผ้าที่มีความบาง และ/หรือผิวหนังได้ง่าย
- b) หากมีการแนะนำให้ใส่ผ้าครอบสำหรับการแปรงลวด อย่าปล่อยให้ผ้าครอบเข้าไปรบกวนการทำงานของใบเจียลวดหรือแปรง แปรงหรือแปรงลวดกลมอาจมีเส้นผ่าศูนย์กลางขยายขึ้น เนื่องจากปริมาณงานและแรงหนีศูนย์กลาง

คำเตือนด้านความปลอดภัยเพิ่มเติม:

17. ในขณะที่ใช้งานใบเจียศูนย์กลาง ให้ตรวจสอบว่าได้ใช้เฉพาใบเจียที่เสริมไฟเบอร์กลาสเท่านั้น
18. อย่าให้หินเจียแบบถ้วยกับเครื่องเจียนี้ เครื่องเจียนี้ไม่ได้ออกแบบมาเพื่อใช้กับหินเจียเหล่านี้ การใช้ผลิตภัณฑ์ดังกล่าวอาจนำไปสู่การบาดเจ็บร้ายแรง
19. ระวังอย่าทำให้เพลาหมุน ขอบ (โดยเฉพาะบริเวณพื้นผิวที่มีการติดตั้ง) หรือน็อตล็อคขาดเสียหาย การทำให้ชิ้นส่วนเหล่านี้ชำรุดเสียหายอาจทำให้ใบเจียแตกหักได้

20. ตรวจสอบว่าใบเจียไม่ได้สัมผัสถูกชิ้นงานก่อนที่จะเปิดสวิตช์
21. ก่อนใช้เครื่องมือกับชิ้นงานจริง ให้เปิดเดินเครื่องเปล่าสักครู่หนึ่ง ตรวจสอบการสั่นสะเทือนหรือการโคลงเคลงที่อาจชี้ให้เห็นว่ามีการติดตั้งที่ไม่เหมาะสมหรือใบเจียไม่มีความสมดุล
22. ใช้พื้นผิวของใบเจียที่ระบุไว้เพื่อทำการเจีย
23. อย่าปล่อยให้เครื่องมือทำงานค้างไว้ ใช้งานเครื่องมือในขณะที่ถืออยู่เท่านั้น
24. ห้ามสัมผัสกับชิ้นงานทันทีที่ทำงานเสร็จ เนื่องจากชิ้นงานอาจมีความร้อนสูงและลวดผิวหนังของคุณได้
25. ศึกษาคำแนะนำของผู้ผลิตสำหรับการติดตั้งและการใช้งานใบเจียอย่างถูกต้อง ดูและจัดเก็บใบเจียอย่างระมัดระวัง
26. อย่าใช้บูชหรือตัวแปลงเพื่อแปลงใบเจียที่มีรูขนาดใหญ่
27. ใช้เฉพาะหน้าแปลนที่ระบุไว้สำหรับเครื่องมือนี้เท่านั้น
28. สำหรับเครื่องมือที่ใช้สอดลงในร่องเกลียวของใบเจีย ให้ตรวจสอบว่าเกลียวจับในใบเจียมีความยาวพอที่จะรับกับความยาวของเพลาหมุน
29. ตรวจสอบว่ามีการยึดชิ้นงานอย่างเหมาะสม
30. ใช้ความระมัดระวังในขณะที่ใบเจียยังคงหมุนอยู่ หลังจากปิดสวิตช์เครื่องมือ
31. หากสถานที่ทำงานมีความร้อนและความชื้นมากเกินไป หรือมีการปนเปื้อนฝุ่นผงที่เป็นตัวนำไฟฟ้า ให้ใช้เครื่องตัดกระแสไฟช็อต (30 mA) เพื่อให้มั่นใจว่าผู้ปฏิบัติงานจะมีความปลอดภัย
32. อย่าใช้งานเครื่องมือกับวัสดุที่ประกอบไปด้วยแร่ใยหิน
33. ในขณะที่ใช้ใบตัด ให้ใส่ผ้าครอบใบตัดเพื่อจัดเก็บฝุ่นผงตามข้อกำหนดของกฎหมายท้องถิ่น
34. ต้องไม่ใช้แรงกดด้านข้างของใบตัด

เก็บรักษาคำแนะนำเหล่านี้ไว้

⚠ คำเตือน:

อย่าให้ความไม่ระมัดระวังหรือความคุ้นเคยกับผลิตภัณฑ์ (จากการใช้งานซ้ำหลายครั้ง) อยู่เหนือการปฏิบัติตามกฎเกณฑ์ด้านความปลอดภัยในการใช้งานผลิตภัณฑ์อย่างเคร่งครัด การปฏิบัติอย่างไม่เหมาะสมหรือการไม่ปฏิบัติตามกฎเกณฑ์ด้านความปลอดภัยในคู่มือใช้งานนี้อาจก่อให้เกิดการบาดเจ็บอย่างรุนแรง

คำอธิบายการใช้งาน

⚠ ข้อควรระวัง:

- ตรวจสอบว่าปิดสวิตช์และถอดปลั๊กเครื่องแล้วก่อนทำการปรับเปลี่ยนหรือตรวจสอบการทำงานของเครื่อง

ตัวล็อกเพลลา (ภาพที่ 1)

⚠ ข้อควรระวัง:

- อย่ากระตุกตัวล็อกเพลลา ในขณะที่เพลลาหมุนกำลังเคลื่อนที่อยู่ เพราะเครื่องมืออาจชำรุดเสียหาย

กดตัวล็อกเพลลาเพื่อป้องกันไม่ให้เพลลาหมุนในขณะที่ประกอบหรือถอดอุปกรณ์เสริมออก

การทำงานของสวิตช์ (ภาพที่ 2)

⚠ ข้อควรระวัง:

- ก่อนเสียบปลั๊กเครื่องมือ ให้ตรวจสอบทุกครั้งว่าสวิตช์เลื่อนทำงานปกติและกลับมาสู่ตำแหน่ง "ปิด" เมื่อปล่อยไกสวิตช์เลื่อนด้านหลังหรือไม่

ในการเปิดทำงานเครื่อง ให้เลื่อนสวิตช์เลื่อนไปที่ตำแหน่ง "I (เปิด)" สำหรับการดำเนินงานอย่างต่อเนื่อง ให้กดด้านหน้าของสวิตช์เลื่อนเพื่อล็อกเครื่อง

ในการหยุดการทำงานของเครื่อง ให้กดสวิตช์เลื่อนด้านหลัง แล้วเลื่อนสวิตช์ไปที่ตำแหน่ง "O (ปิด)"

การประกอบชิ้นส่วน

⚠ ข้อควรระวัง:

- ตรวจสอบว่าปัดสวิตช์และถอดปลั๊กเครื่องแล้วก่อนดำเนินการใดๆ กับเครื่อง

การประกอบที่จับด้านข้าง (มือจับ) (ภาพที่ 3)

⚠ ข้อควรระวัง:

- ตรวจสอบเสมอว่าได้มีการติดตั้งมือจับด้านข้างอย่างหนาแน่นก่อนใช้งาน
- ขันน็อตมือจับด้านข้างให้แน่นในตำแหน่งของเครื่องมือที่แสดงไว้ในภาพประกอบ

การประกอบหรือการถอดฝาครอบใบเจียออก (สำหรับใบเจียศูนย์จม/จานประกบ/ใบตัดโลหะ/ใบตัดเพชร)

สำหรับเครื่องมือที่มีฝาครอบใบเจียประเภทที่มีสกรูล็อก (ภาพที่ 4 และ 5)

⚠ คำเตือน:

- การใช้ใบเจียศูนย์จม/จานประกบ ใบเจียแบบยึดหยุ่น แปรลงดกลม ใบตัด หรือใบตัดเพชร ต้องใส่ฝาครอบใบเจียให้ด้านที่เปิดของฝาครอบหันไปทางผู้ปฏิบัติงานเสมอ
- ในขณะที่ใช้ใบตัดโลหะ/ใบตัดเพชร ให้ตรวจสอบว่าได้ใส่ฝาครอบใบตัดที่ออกแบบมาเป็นพิเศษสำหรับการใช้งานกับใบตัดเท่านั้น (ในบางประเทศทางยุโรป เมื่อใช้ใบตัดเพชร จะสามารถใส่ฝาครอบมาตรฐานได้ ให้ปฏิบัติตามข้อบังคับในประเทศของท่าน)

ยึดฝาครอบใบเจียโดยให้ส่วนที่ยื่นออกมาจากแถบของฝาครอบใบเจียอยู่ในตำแหน่งเดียวกับเครื่องหมายบนกล่องดัดล็อกเป็น จากนั้นให้หมุนฝาครอบใบเจียไปยังมุมที่สามารถป้องกันผู้ปฏิบัติงานจากงานที่ทำงานอยู่ ตรวจสอบว่าได้ขันสกรูอย่างแน่นหนาแล้ว

ในการนำฝาครอบใบเจียออก ให้ปฏิบัติตามขั้นตอนการประกอบในด้านที่ตรงกันข้าม

การประกอบหรือการนำใบเจียศูนย์จม/จานประกบ (ภาพที่ 6)

ประกอบขอบด้านในลงบนเพลลาหมุน ประกอบใบเจีย/จานลงบนขอบด้านใน และขันน็อตล็อกเพลลาหมุน

ในการขันน็อตล็อก ให้กดตัวล็อกเพลลาให้แน่นเพื่อให้เพลลาหมุนไม่สามารถหมุนได้ จากนั้นให้ใช้ประแจขันน็อตล็อกตามเข็มนาฬิกาให้แน่น (ภาพที่ 7)

ในการถอดใบเจียออก ให้ปฏิบัติตามขั้นตอนการประกอบในด้านที่ตรงกันข้าม

⚠ คำเตือน:

อย่าดำเนินการใดกับตัวล็อกเพลลา ในขณะที่เพลลาหมุนกำลังเคลื่อนที่อยู่

การประกอบหรือการถอดแผ่นขัด (อุปกรณ์เสริม) (ภาพที่ 8)

หมายเหตุ:

- ใช้อุปกรณ์เสริมในการขัดผิวลคมตามที่ระบุไว้ในคู่มือชิ้น อุปกรณ์เสริมเหล่านี้ต้องสั่งซื้อแยกต่างหาก

ใส่ยางรองลงบนเพลลาหมุน ประกอบแผ่นกลมบนยางรองและขันน็อตล็อกลงบนเพลลาหมุน ในการขันน็อตล็อก ให้กดตัวล็อกเพลลาให้แน่นเพื่อให้เพลลาหมุนไม่สามารถหมุนได้ จากนั้น ให้ใช้ประแจขันน็อตล็อกขันตามเข็มนาฬิกาให้แน่น ในการถอดแผ่น ให้ปฏิบัติตามขั้นตอนการประกอบตามลำดับย้อนกลับ

การทำงาน

⚠ คำเตือน:

- ไม่จำเป็นต้องใช้แรงกดเครื่องมือ น้ำหนักของเครื่องมือก็มีแรงกดเพียงพออยู่แล้ว การฝืนและใช้แรงกดมากเกินไปอาจทำให้ใบเจียชำรุดเสียหายได้
- ให้เปลี่ยนใบเจียทุกครั้ง หากเครื่องมือร่วงตกลงไปบนพื้นในขณะที่ทำการเจีย
- อย่ากระแทกหรือตีจานหรือใบเจียในขณะที่ทำงาน
- ป้องกันไม่ให้มีการกระเด็นหรือการเกี่ยวของของใบเจีย โดยเฉพาะเมื่อกำลังทำงานกับมุม ขอบที่มีความคม ฯลฯ

เพราะเหตุการณดังกล่าวอาจเป็นสาเหตุให้สูญเสียการควบคุม และการติดกลับได้

- อย่าใช้เครื่องมือที่มีใบเลื่อยตัดไม้และใบเลื่อยอื่นๆ เนื่องจาก หากนำใบเลื่อยดังกล่าวมาใช้ในงานเจียแล้วมักจะติดกลับบ่อยครั้ง และเป็นสาเหตุให้สูญเสียการควบคุมซึ่งทำให้ได้รับบาดเจ็บได้

⚠️ ข้อควรระวัง:

- หลังจากทำงานเสร็จเรียบร้อย ให้ปิดสวิตช์เครื่องมือทุกครั้ง และรอจนกว่าใบเจียจะหยุดหมุนจนสนิทก่อนที่จะวางเครื่องมือลง

การเจียและการขัดผิวลบคม

ให้ถือเครื่องมืออย่างมั่นคงทุกครั้ง โดยให้มือหนึ่งจับตรงที่ครอบตัวเครื่อง และอีกมือหนึ่งจับตรงที่จับด้านข้าง เปิดสวิตช์เครื่องมือแล้วใช้งานหรือใบเจียทำงานกับชิ้นงาน

โดยทั่วไปแล้ว ให้จัดตำแหน่งระหว่างขอบของจานหรือใบเจียกับพื้นผิวของชิ้นงานท่ามุมประมาณ 15 องศา

ในระยะแรกของการใช้ใบเจียใหม่ อย่านำเครื่องเจียไฟฟ้าทำงานในทิศทาง B มิฉะนั้นเครื่องจะกินเข้าไปในชิ้นงาน เมื่อขอบของใบเจียเริ่มเรียบม่นจากการใช้งาน จึงสามารถนำใบเจียให้ทำงานได้ทั้งในทิศทาง A และ B (ภาพที่ 9)

การใช้งานกับแปรงลวดรูปถ้วย/แปรงลวดมุมเอียง (อุปกรณ์เสริม) (ภาพที่ 10)

⚠️ ข้อควรระวัง:

- ตรวจสอบการทำงานของแปรงโดยการเปิดให้เครื่องมือเดินเครื่องเปล่า และตรวจสอบว่าไม่มีผู้ใดอยู่ด้านหน้าหรืออยู่ในแนวเดียวกับแปรง
- อย่าใช้แปรงที่ชำรุดเสียหาย หรือแปรงที่ไม่มีความสมดุล การใช้แปรงที่ชำรุดเสียหายอาจเพิ่มความเสี่ยงให้เกิดการบาดเจ็บจากการสัมผัสกับลวดของแปรงที่แตกหัก ถอดปลั๊กเครื่องมือและวางเครื่องโดยหันส่วนหัวลงด้านล่าง เพื่อให้สามารถเข้าถึงเพลาหมุนได้ง่าย ถอดอุปกรณ์เสริมออกจากเพลาหมุน ใส่แปรงลวดรูปถ้วย/แปรงลวดมุมเอียงเข้ากับเพลาหมุนแล้วขันด้วยประแจที่หามา เมื่อใช้แปรงลวด พยายามอย่าใช้แรงกดมากเกินไปเนื่องจากอาจทำให้ลวดงอ และทำให้เกิดการชำรุดเสียหายก่อนเวลาอันควร

การทำงานกับใบตัดโลหะ/ใบตัดเพชร (อุปกรณ์เสริม) (ภาพที่ 11)

ทิศทางในการขันนอตล็อกและขอบด้านในจะแตกต่างกันตามความหนาของใบเจีย

ดูตารางด้านล่าง (ภาพที่ 12)

⚠️ คำเตือน:

- ในขณะที่ใช้ใบตัดโลหะ/ใบตัดเพชร ให้ตรวจสอบว่าได้ใช้ฝาครอบใบตัดที่ออกแบบมาเป็นพิเศษสำหรับการใช้งานกับใบตัดเท่านั้น (ในบางประเทศทางยุโรป เมื่อใช้ใบตัดเพชร จะสามารถใส่ฝาครอบมาตรฐานได้ ให้ปฏิบัติตามข้อบังคับในประเทศของท่าน)
- อย่าใช้ใบตัดโลหะสำหรับการเจียด้านข้าง
- อย่า "กด" ใบตัดหรือใช้แรงดันมากเกินไป อย่าพยายามสร้างรอยตัดให้ลึกเกินไป การใช้แรงกดใบตัดมากเกินไปจะเป็นการเพิ่มภาระในการทำงานและอาจทำให้ใบตัดบิดหรือโค้งงอ ในขณะที่ตัดได้ง่าย ซึ่งทำให้มีโอกาสที่จะเกิดการติดกลับหรือการแตกหักของใบตัด และอาจทำให้มือเตอร์ร้อนเกินไปด้วย
- อย่าเริ่มต้นการตัดในชิ้นงาน ปล่อยให้ใบตัดหมุนจนถึงความเร็วสูงสุดและค่อยๆ เข้าสู่การตัดอย่างระมัดระวังโดยการเลื่อนเครื่องมือไปยังพื้นผิวของชิ้นงาน ใบตัดอาจติดขัด ปั่นขึ้นหรือติดกลับ หากเปิดเครื่องมือให้ทำงานในขณะที่เครื่องมืออยู่ในชิ้นงาน
- ในระหว่างการตัด อย่าเปลี่ยนมุมของใบตัด การใช้แรงกดด้านข้างของใบตัดโลหะ (เช่นเดียวกับการเจีย) จะทำให้ใบตัดกระเทาะและแตกหักได้อันนำไปสู่การบาดเจ็บอย่างรุนแรง
- ใบตัดเพชรจะใช้งานในมุมตั้งฉากกับวัสดุที่จะทำการตัด

การดูแลรักษา

⚠️ ข้อควรระวัง:

- ตรวจสอบว่าปิดสวิตช์และถอดปลั๊กเครื่องแล้วก่อนทำการตรวจสอบหรือดูแลรักษาเครื่อง
- อย่าใช้น้ำมันเชื้อเพลิง เบนซิน ทินเนอร์ แอลกอฮอล์ หรือวัสดุประเภทเดียวกัน เพราะอาจทำให้เครื่องมือมีสีซีดจาง ผิดรูปทรงหรือแตกหักได้ (ภาพที่ 13)

ต้องรักษาความสะอาดเครื่องมือและช่องระบายอากาศของเครื่องเสมอ ให้ทำความสะอาดช่องระบายอากาศของเครื่องมืออย่างสม่ำเสมอ หรือเมื่อช่องระบายอากาศเริ่มมีสิ่งอุดตันเพื่อดูแลให้ผลิตภัณฑ์มีความปลอดภัยและใช้งานได้อย่างมั่นใจ ควรนำส่งผลิตภัณฑ์ให้แก่อายุบริการที่ได้รับอนุญาตของ Makita ดำเนินการซ่อมแซม ตรวจสอบและเปลี่ยนแปลงคาร์บอน ดูแลรักษาหรือทำการปรับเปลี่ยนอื่นๆ และใช้อะไหล่แท้ของ Makita เท่านั้น

อุปกรณ์เสริม

⚠️ ข้อควรระวัง:

- ขอแนะนำให้ผู้ประกอบการหรือส่วนประกอบเหล่านี้กับเครื่องมือ Makita ของคุณตามที่ระบุในคู่มือนี้ การใช้อุปกรณ์เสริมหรือส่วนประกอบอื่นอาจทำให้ผู้ใช้ได้รับบาดเจ็บ ใช้อุปกรณ์เสริมหรือส่วนประกอบตามที่ระบุไว้เท่านั้น

หากคุณต้องการทราบรายละเอียดเพิ่มเติมเกี่ยวกับอุปกรณ์เสริมดังกล่าว โปรดสอบถามศูนย์บริการของ Makita ในพื้นที่ของคุณ

- ฝาครอบใบเจีย (ฝาครอบ) สำหรับใบเจียศูนย์จัม/จานประกบ
- ฝาครอบใบตัด (ฝาครอบ) สำหรับใบตัดโลหะ/ใบตัดเพชร
- ใบเจียศูนย์จัม
- ใบตัดโลหะ
- จานประกบ
- ใบตัดเพชร
- แปรงลวดรูปถ้วย
- แปรงลวดมุมเอียง 85
- แผ่นขัด
- หน้าแปลนด้านใน
- น็อตล็อกสำหรับใบเจียศูนย์จัม/ใบตัดโลหะ/จานประกบ/
ใบตัดเพชร
- น็อตล็อกสำหรับแผ่นขัด
- ประแจน็อตล็อก
- ด้ามจับด้านข้าง

หมายเหตุ:

- อุปกรณ์เสริมบางรายการอาจเป็นอุปกรณ์เสริมมาตรฐานที่รวมอยู่ในชุดเครื่องมือแล้ว ทั้งนี้ อาจมีความแตกต่างกันในแต่ละประเทศ

Makita Corporation

Anjo, Aichi, Japan

www.makita.com

884564A377

ALA