



13/01/2011

Model HW 101

Version:

Serial number:

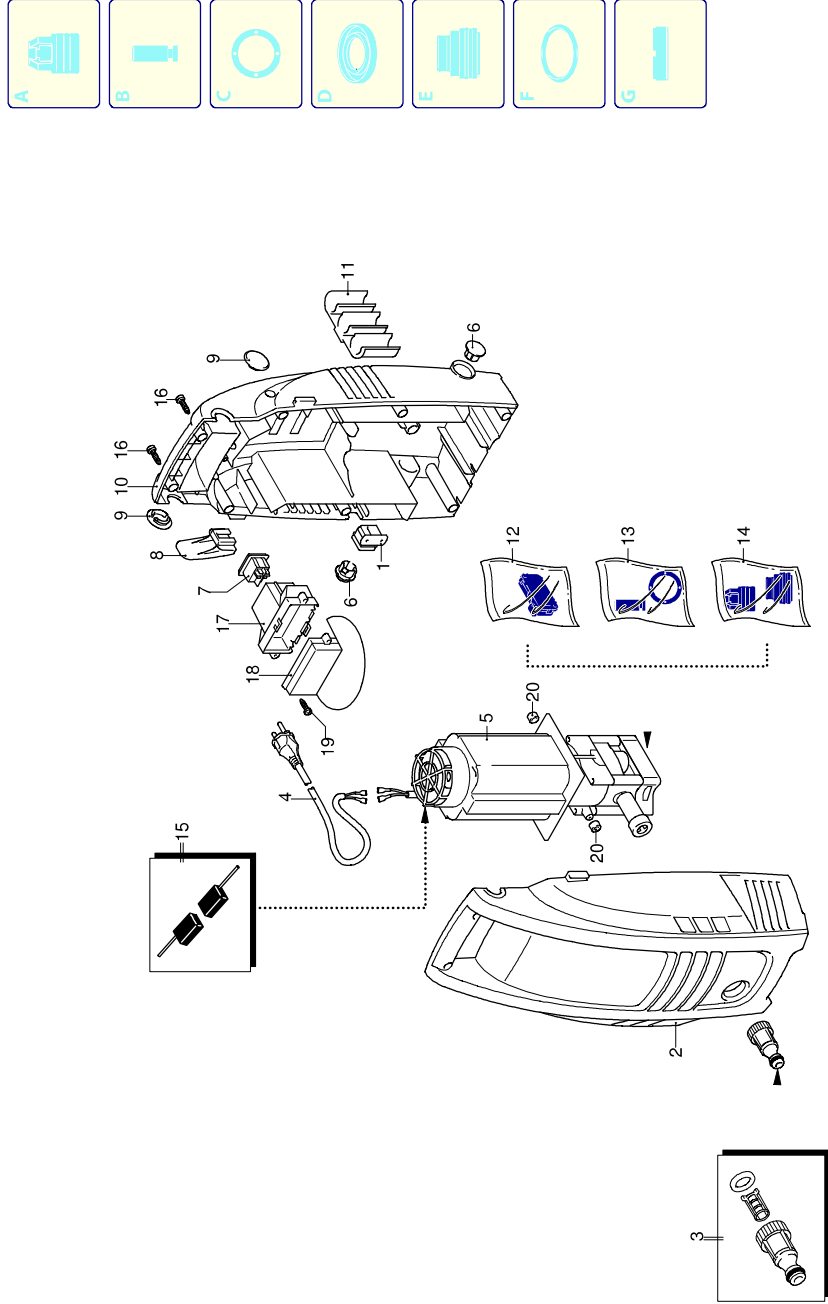
Code:



230 V - 50 Hz



schuko



Validity	Pos.	Code	Description	Q
I----> 08-09 ----> 07-09	1	3080580	Cable gland	1
	2	50950	Green casing	1
	3	3082130	Water coupling kit	1
	3	50951	Water coupling kit	1
	4	50940	Cable	1
	5	50953	Electric pump assembly	1
	6	3082670	Plug	2
	7	50945	Switch	1
	8	50942	Accessories carrier	1
	9	3080880	Plug	2
	10	50944	Base	1
	11	50947	Accessories carrier	1
	12	3081280	TSS kit	1
	13	3081270	Piston + seals kit	1
	14	3081290	Valves + seals kit	1
	15	3082580	Brush kit for motor	1
	16	50943	Screw	8
	17	50946	Box	1
	18	50949	Cover	1
	19	50948	Screw	2
20	50952	Ring	2	



13/01/2011

Model HW 101

Version:

Serial number:

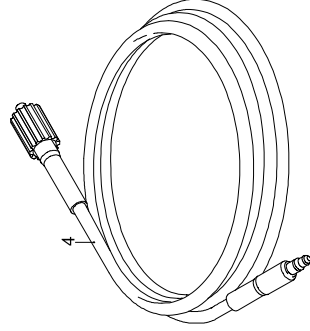
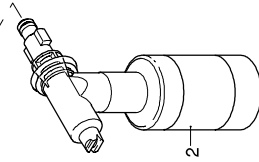
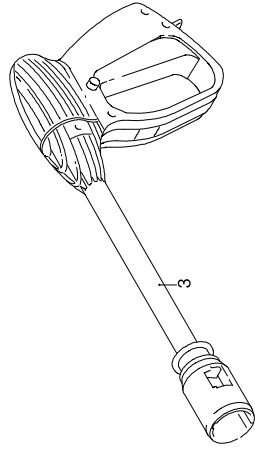
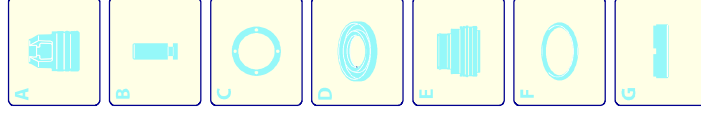
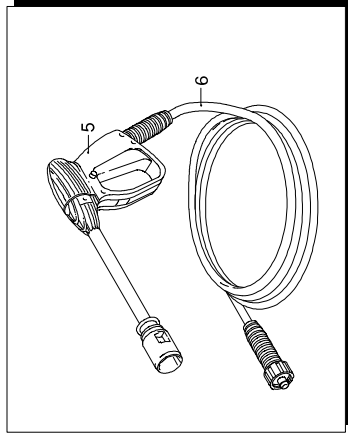
Code: **12570**



230 V - 50 Hz



schuko



Validity	Pos.	Code	Description	Q
----- 01-09	1	50955	Lance+lance head	1
----- 01-09	2	50954	Tank	1
----- 12-08	3	3082280	Gun	1
----- 12-08	4	3082290	High pressure hose	1
----- 12-08	5	50956	Gun	1
----- 12-08	6	50957	High pressure hose	1