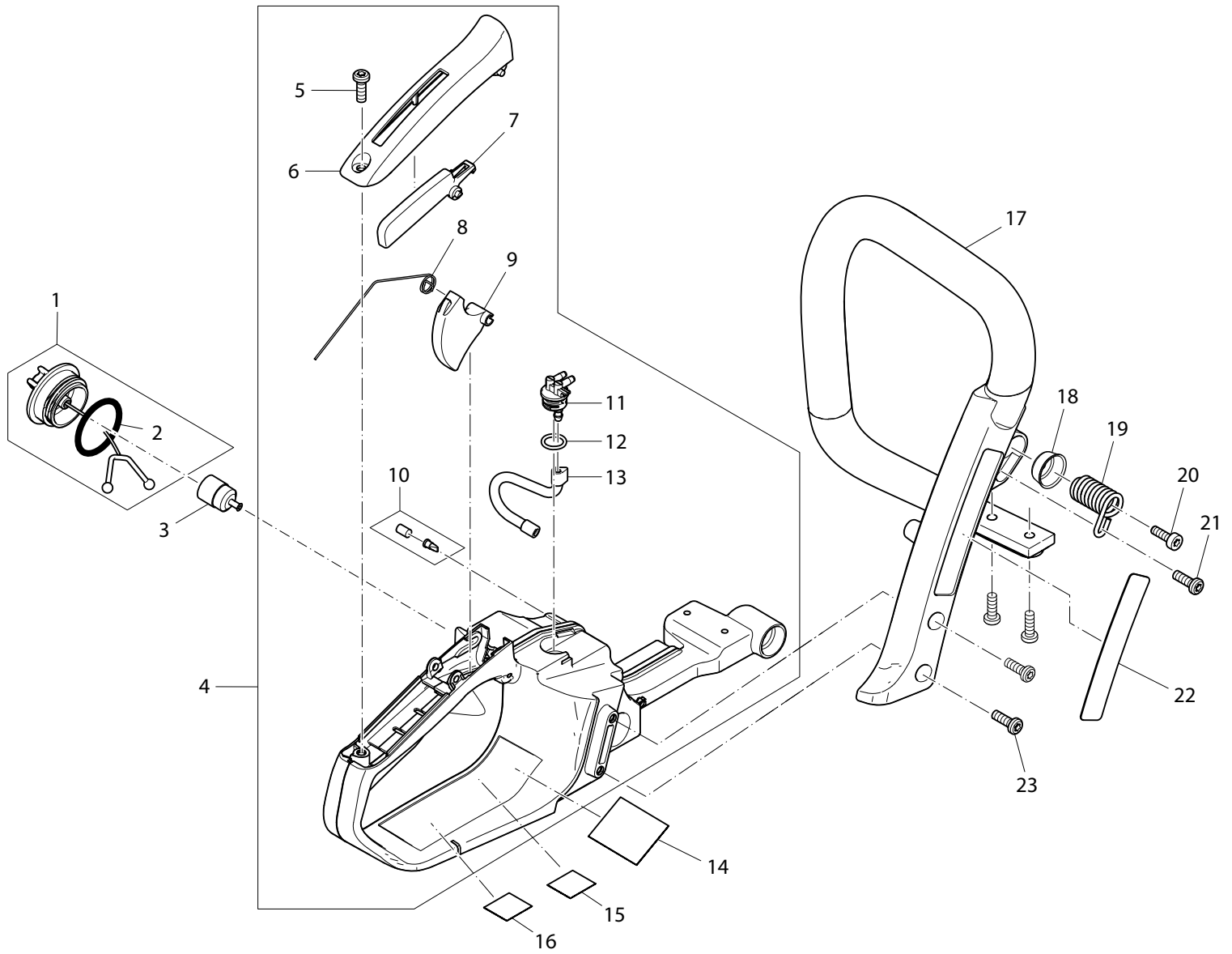


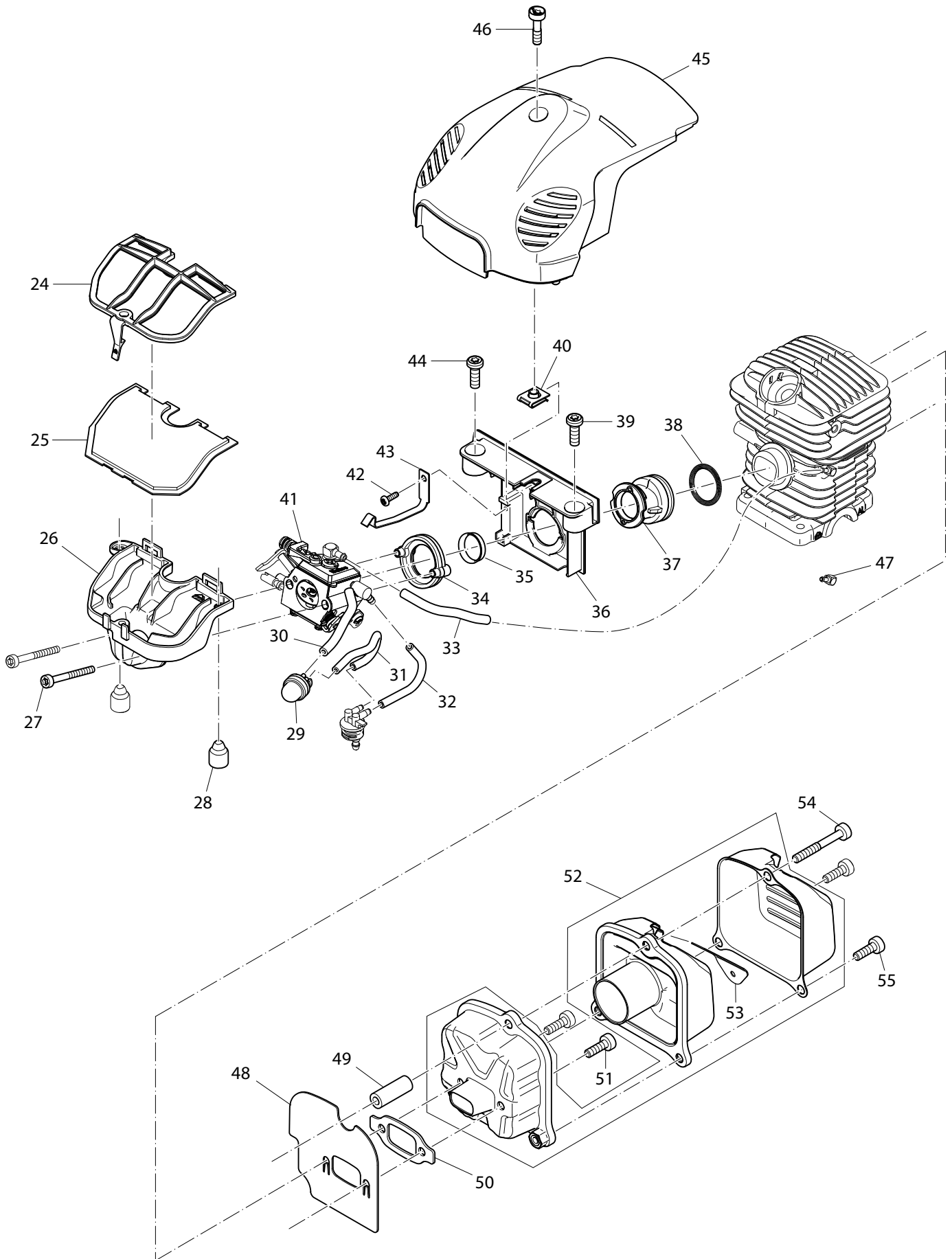
Item	Sub	Sub_Explanation	Parts_No.	Parts_Description	Qty	Unit	Compatibility	Technical_Information	Close_Information
1			168507-3	TANK CAP COMPLETE	1	PC.			
1	D10	INC. 2		INC. 2	0				
2			213080-9	O RING 29.5	1	PC.			
3			163447-0	GASOLINE FILTER	1	PC.			
4			195758-5	TANK ASSEMBLY A BLUE	1	PC.			
4	D10	INC. 5-13		INC. 5-13	0				
5			266651-1	H.L. TAPPING SCREW 5.5X16	1	PC.			
6			452021-2	GRIP SHELL	1	PC.			
7			452020-4	CATCH LEVER	1	PC.			
8			231866-9	TORSION SPRING 10	1	PC.			
9			452019-9	THROTTLE LEVER	1	PC.			
10			195762-4	AIR VALVE SET	1	PC.			
11			452018-1	FUEL NIPPLE	1	PC.			
12			213586-7	O RING 11.5	1	PC.			
13			424456-7	FUEL LINE	1	PC.			
14			869091-8	EA3201S NAME PLATE	1	PC.			
16			892505-2	CAUTION LABEL	1	PC.			
17			452036-9	TUBULAR HANDLE	1	PC.			
18			346517-2	CUP WASHER 6	1	PC.			
19			234189-4	COMPRESSION SPRING 12	1	PC.			
20			266605-8	H.L. SOCKET HEAD BOLT M5X16	1	PC.			
21			266651-1	H.L. TAPPING SCREW 5.5X16	1	PC.			
22			891898-4	MAKITA LOGO LABEL	1	PC.			
23			266651-1	H.L. TAPPING SCREW 5.5X16	4	PC.			
24			452031-9	AIR FILTER COVER	1	PC.			
25			423414-0	AIR FILTER	1	PC.			
26			452030-1	INTAKE MANIFOLD	1	PC.			
27			266604-0	H.L. SOCKET HEAD BOLT M4X40	2	PC.			
28			424173-9	DAMPING PLUG	2	PC.			
29			168398-2	PRIMER PUMP	1	PC.			
30			422067-2	TUBE 2.5-55	1	PC.			
31			422065-6	TUBE 2.5-112	1	PC.			
32			422068-0	TUBE 3-70	1	PC.			
33			422066-4	TUBE 2.5-72	1	PC.			
34			318634-8	FLANGE RING	1	PC.			
35			346413-4	BUSH 17	1	PC.			
36			452024-6	INTERMEDIATE FLANGE	1	PC.			
37			424340-6	INTAKE HOSE	1	PC.			
38			233971-8	RING SPRING	1	PC.			
39			266651-1	H.L. TAPPING SCREW 5.5X16	1	PC.			
40			264044-6	SNAP NUT M5	1	PC.			
041-1			168779-0	CARBURETOR	1	PC.			
041-1	D10	INC. 170-179181-211		INC. 170-179181-211	0				
42			266421-8	TAPPING SCREW 3X10	1	PC.			
43			346290-4	CONTACT SPRING	1	PC.			
44			266651-1	H.L. TAPPING SCREW 5.5X16	1	PC.			
45			452023-8	HOOD	1	PC.			
46			266607-4	H.L. SOCKET HEAD BOLT M5X20	1	PC.			
47			325938-1	ANGULAR NIPPLE	1	PC.			98018
48			346306-5	COOLING PLATE	1	PC.			
49			325939-9	CONNECTING LINK	1	PC.			
50			346304-9	GASKET	1	PC.			
51			266605-8	H.L. SOCKET HEAD BOLT M5X16	2	PC.			
52			168604-5	MUFFLER COMPLETE	1	PC.			
52	D10	INC. 53		INC. 53	0				
53			346294-6	SPARK ARRESTER SCREEN	1	PC.			
54			266606-6	H.L. SOCKET HEAD BOLT M5X40	1	PC.			
55			266605-8	H.L. SOCKET HEAD BOLT M5X16	2	PC.			
56			195759-3	CYLINDER PISTON SET	1	PC.			98018
56	D10	INC. 57		INC. 57	0				98018
056-1			196384-3	CYLINDER PISTON SET	1	PC. S		98018	
056-1	C10		142136-0	CYLINDER COMPLETE	1	PC.		98018	
056-1	D10	INC. 57		INC. 57	0			98018	
57			195760-8	PISTON SET	1	PC.			
57	D10	INC. 58-60		INC. 58-60	0				
58			325991-7	PISTON RING 38	1	PC.			
59			325992-5	PISTON PIN 8	1	PC.			
60			233988-1	RING SPRING 8	1	PC.			
61			213582-5	OIL SEAL 12	1	PC.			
62			211341-1	BALL BEARING 6201	1	PC.			
63			212086-4	NEEDLE CAGE 810	1	PC.			
64			195956-1	CRANK SHAFT SET	1	PC.			
64	D10	INC. 61626566		INC. 61626566	0				
65			211341-1	BALL BEARING 6201	1	PC.			

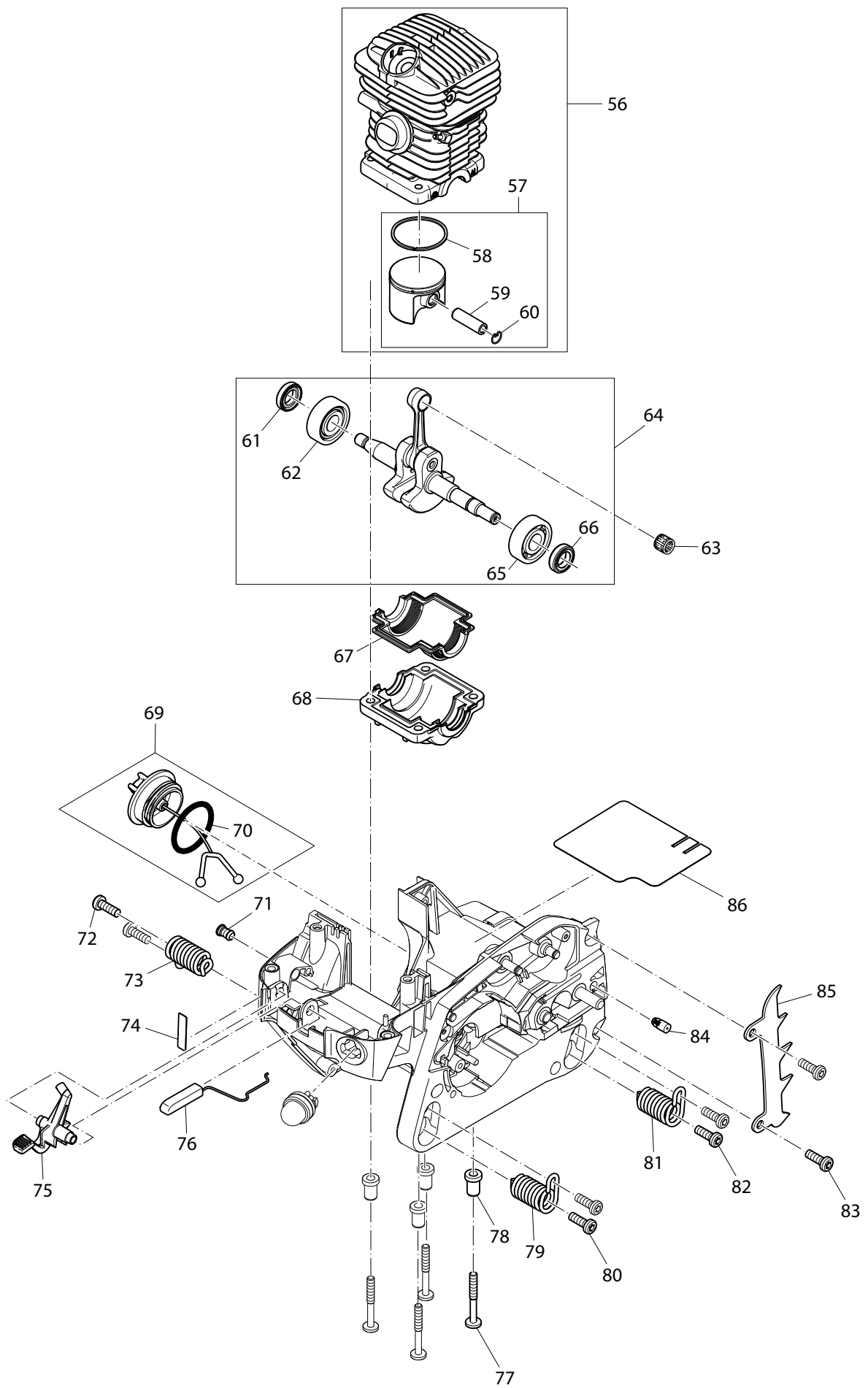
66			213582-5	OIL SEAL 12	1	PC.		
67			424339-1	CRANK CASE SEALING	1	PC.		
68			318633-0	CRANKCASE UNDERSIDE	1	PC.		
69			168507-3	TANK CAP COMPLETE	1	PC.		
69	D10	INC. 70		INC. 70	0			
70			213080-9	O RING 29.5	1	PC.		
071-1			452727-2	PLUG	1	PC.		
72			266651-1	H.L. TAPPING SCREW 5.5X16	2	PC.		
73			234189-4	COMPRESSION SPRING 12	1	PC.		
74			816917-5	INDICATION LABEL	1	PC.		
75			452025-4	CHOKE LEVER	1	PC.		
76			452022-0	THROTTLE LINKAGE	1	PC.		
77			266608-2	H.L.TAPPING SCREW 5X40	4	PC.		
78			325946-2	BUSH 6	4	PC.		
79			234189-4	COMPRESSION SPRING 12	1	PC.		
80			266651-1	H.L. TAPPING SCREW 5.5X16	2	PC.		
81			234189-4	COMPRESSION SPRING 12	1	PC.		
82			266651-1	H.L. TAPPING SCREW 5.5X16	2	PC.		
83			266651-1	H.L. TAPPING SCREW 5.5X16	2	PC.		
84			168504-9	VENT VALVE	1	PC.		
85			346301-5	SPIKE BAR	1	PC.		
86			346385-3	HEAT PROTECTION FOIL	1	PC.		
87			444029-0	ISOLATING TUBE 6-95	1	PC.		97296
087-1			444042-8	ISOLATING TUBE 6-80	1	PC. <	97296	
88			346445-1	SPARK PLUG CONNECTOR	1	PC.		97296
088-1			424522-0	PLUG CAP	1	PC. S	97296	
089-1			168401-9	SPARK PLUG	1	PC.		
90			452670-5	ISOLATING WASHER	2	PC.		
91			125808-2	IGNITION COIL ASSEMBLY	1	PC.		97296
91	D10	INC. 8788		INC. 8788	0			97296
091-1			126270-4	IGNITION COIL ASSEMBLY	1	PC. <	97296	
091-1	C10		326210-4	TERMINAL SPRING	1	PC.	97296	
091-1	D10	INC. 8788		INC. 8788	0		97296	
92			266631-7	H.L. SOCKET HEAD BOLT M5X20	2	PC.		
93			168601-1	CABLE HARNESS	1	PC.		
94			266651-1	H.L. TAPPING SCREW 5.5X16	3	PC.		
95			891901-1	EA3201S MODEL NO. LABEL	1	PC.		
96			168608-7	STARTER COMPLETE BLUE	1	PC.		
96	D10	INC. 97-99101-105141		INC. 97-99101-105141	0			
97			453783-5	STARTER GRIP	1	PC.		
98			267847-7	SQUARE WASHER 4	1	PC.		
99			444038-9	STARTER ROPE	1	PC.		
100			234252-3	REWIND SPRING	1	PC.		
101			453785-1	REEL	1	PC.		
102			234253-1	TORSION SPRING 20	1	PC.		
103			453786-9	CAM PLATE	1	PC.		
104			266777-9	TAPPING SCREW 5X12	1	PC.		
105			452026-2	AIR GUIDE PLATE	1	PC.		
106			264053-5	HEX. NUT M8X1	1	PC.		
107			267822-3	SPRING WASHER 8	1	PC.		
108			140480-9	FLYWHEEL COMPLETE	1	PC.		
108	D10	INC. 109		INC. 109	0			
109			195761-6	RATCHET SET	2	PC.		
110			452032-7	HAND GUARD	1	PC.		
111			810449-4	CAUTION LABEL	1	PC.		
112			266627-8	H.L. TAPPING SCREW 4.7X16	1	PC.		
113			267066-5	FLAT WASHER 5	1	PC.		
114			313212-9	HAND GUARD GUIDE	1	PC.		
115			234210-9	COMPRESSION SPRING 6	1	PC.		
116			231868-5	TENSION SPRING 10	1	PC.		
117			163500-2	LINK PLATE COMPLETE	1	PC.		
118			325947-0	BUSH 6	2	PC.		
119			346299-6	SPACER SHEET METAL	1	PC.		
120			961011-9	STOP RING E-4	1	PC.		
121			452033-5	BRAKE COVER	1	PC.		
122			266421-8	TAPPING SCREW 3X10	2	PC.		
123			452035-1	PUMP DRIVE	1	PC.		
124			168645-1	OIL SUCTION LINE COMPLETE	1	PC.		
124	D10	INC. 125126		INC. 125126	0			
125			234207-8	COMPRESSION SPRING 6	1	PC.		
126			452666-6	NIPPLE	1	PC.		
127			424342-2	OIL PRESSURE LINE	1	PC.		
128			168503-1	OIL PUMP COMPLETE	1	PC.		
130			266627-8	H.L. TAPPING SCREW 4.7X16	1	PC.		
131			267430-0	FLAT WASHER 10	1	PC.		

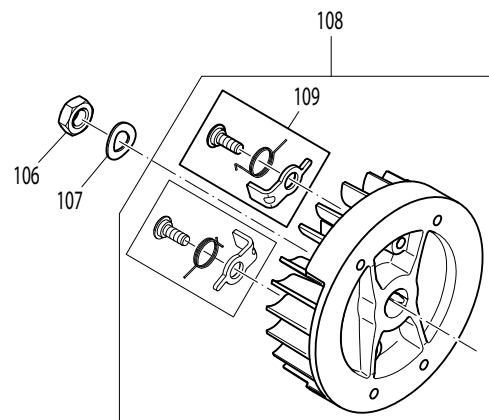
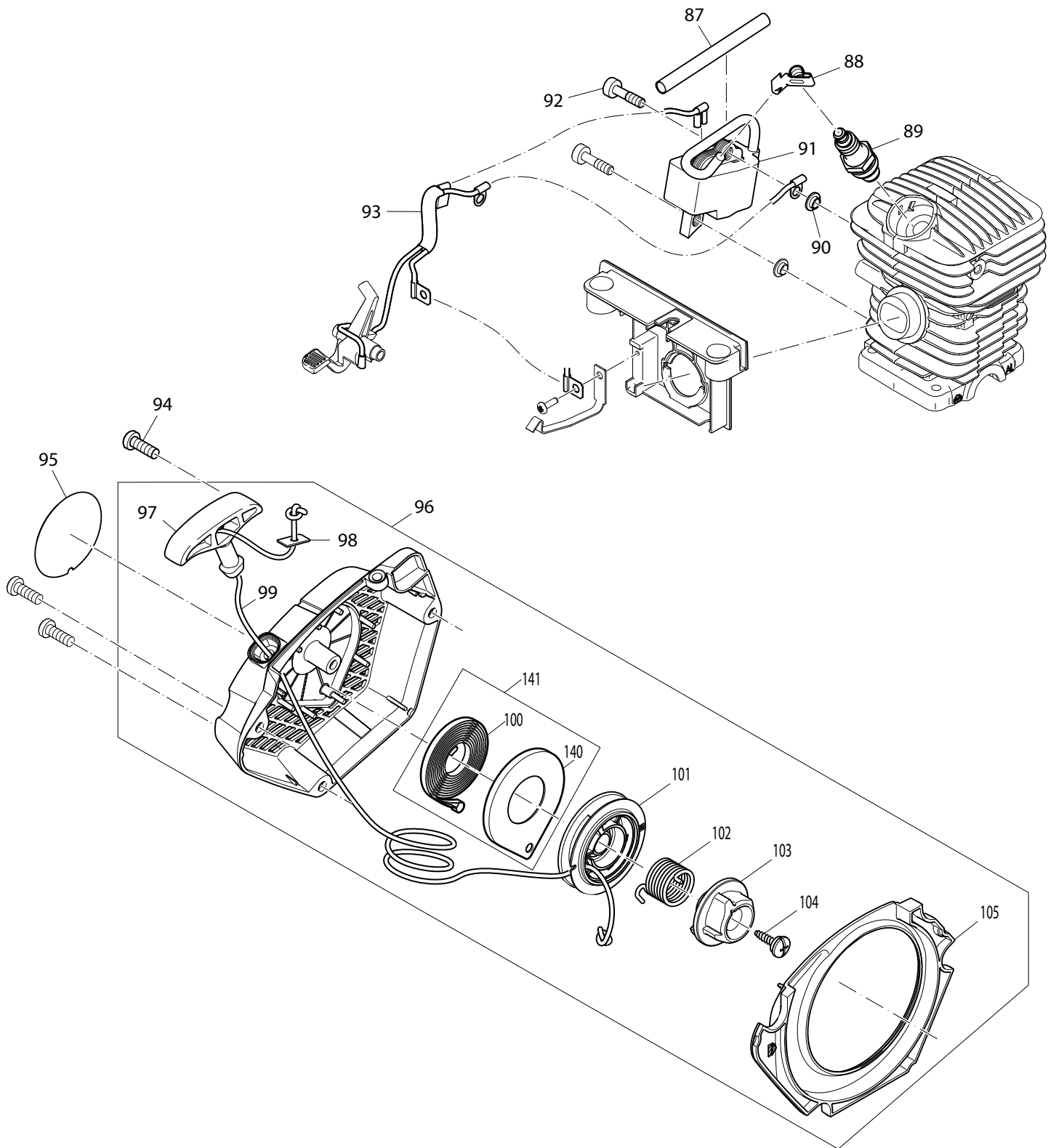
132		267431-8	FLAT WASHER 10	1	PC.		
133		168607-9	CLUTCH COMPLETE	1	PC.		
133	D10	INC. 134	INC. 134	0			
134		231873-2	TENSION SPRING 5	2	PC.		
135		140980-9	CLUTCH DRUM ASSEMBLY	1	PC.		
136		267451-2	FLAT WASHER 8	1	PC.		
137		259033-4	RETAINING RING E TYPE 6	1	PC.		
138		346298-8	BRAKE BAND	1	PC.		
139		140482-5	ENGINE HOUSING COMPLETE TLC B	1	PC.		
140		453784-3	SPRING CASSETTE	1	PC.		
141		195955-3	REWIND SPRING SET	1	PC.		
141	D10	INC. 100140	INC. 100140	0			
151		140510-6	SPROCKET GUARD TLC COMPLETE B	1	PC.		
151	D10	INC. 152-158161-168	INC. 152-158161-168	0			
152		266007-8	TAPPING SCREW BIND PT 3X10	1	PC.		
153		346309-9	GUIDE PLATE	1	PC.		
154		266007-8	TAPPING SCREW BIND PT 3X10	1	PC.		
155		417403-5	COVER	1	PC.		
156		324068-5	ADJUST PIN	1	PC.		
157		226681-4	HELICAL GEAR 17	1	PC.		
158		226534-7	HELICAL GEAR 8	1	PC.		
159		346518-0	GUIDE PLATE	1	PC.		
160		892502-8	INDICATION LABEL	1	PC.		
161		233033-2	COMPRESSION SPRING 4	1	PC.		
162		216008-6	STEEL BALL 4	1	PC.		
163		419233-0	DIAL 40	1	PC.		
164		253874-0	FLAT WASHER 4	1	PC.		
165		915106-0	BINDING HEAD SCREW M4X8	1	PC.		
166		264042-0	HEX. NUT M8-13	1	PC.		
167		231025-5	COMPRESSION SPRING 8	1	PC.		
168		195764-0	WING GRIP SET	1	PC.		
170		WJ00096166	SCREW	1	PC.		
171		WJ00213750	COVER ASSEMBLY-PUMP	1	PC.		
172		WJ00096369	SCREW-IDLE ADJ.	1	PC.		
173		WJ00098356	SPRING	1	PC.		
174		WJ00096475	SCREW	1	PC.		
175		WJ00183519	LEVER-CHOKE	1	PC.		
176		WJ00983585	SPRING	1	PC.		
177		WJ00223556	SHAFT ASSEMBLY-THROTTLE	1	PC.		
178		WJ00098494	SPRING	1	PC.		
179		WJ01023908	NEEDLE-IDLE	1	PC.		
181		WJ00098404	SPRING	2	PC.		
182		WJ00136152	WASHER	2	PC.		
183		WJ00016105	RING-O	2	PC.		
184		WJ00062150	VALVE-CHOKE	1	PC.		
185		WJ00983270	SPRING	1	PC.		
186		WJ00166114	LEVER-METERING	1	PC.		
187		WJ00014477	PIN-METERING LEVER	1	PC.		
188		WJ00008282	VALVE-INLET NEEDLE	1	PC.		
189		WJ00963226	SCREW	1	PC.		
190		WJ00088271	PLUG-WELCH	1	PC.		
191		WJ00021158	COVER-METERING DIAPHRAGM	1	PC.		
192		WJ00095613	DIAPHRAGM ASSEMBLY-METERING	1	PC.		
193		WJ00092192	GASKET-METERING DIAPHRAGM	1	PC.		Y06436
193-1		442183-4	METERING DIAPHRAGM GASKET	1	PC. O	Y06436	
194		WJ00223784	SHAFT ASSEMBLY-CHOKE	1	PC.		
195		WJ00013690	WASHER	1	PC.		
196		WJ00016682	LEVER-FAST IDLE	1	PC.		
197		WJ00983584	SPRING	1	PC.		
198		WJ00001673	RING-RETAINING	1	PC.		
199		WJ00183366	LEVER-THROTTLE	1	PC.		
200		WJ00983164	SPRING	1	PC.		
201		WJ00160511	PISTON ASSMBLY-ACCELERATOR	1	PC.		
202		WJ00088229	PLUG-CUP	1	PC.		
203		WJ00014070	INLET SCREEN	1	PC.		
204		WJ00343439	VALVE-THROTTLE	1	PC.		
205		WJ00009589	DIAPHRAGM-PUMP	1	PC.		
206		WJ00092225	GASKET-PUMP	1	PC.		
207		WJ00096589	SCREW ASSEMBLY	4	PC.		
208		WJ00096475	SCREW	1	PC.		
209		WJ00096475	SCREW	1	PC.		
210		WJ00096475	SCREW	1	PC.		
211		WJ00001673	RING-RETAINING	1	PC.		
212		424519-9	HOOD CAP	1	PC.		97296
A01		165201-8	GUIDE BAR 14'	1	PC.		97722

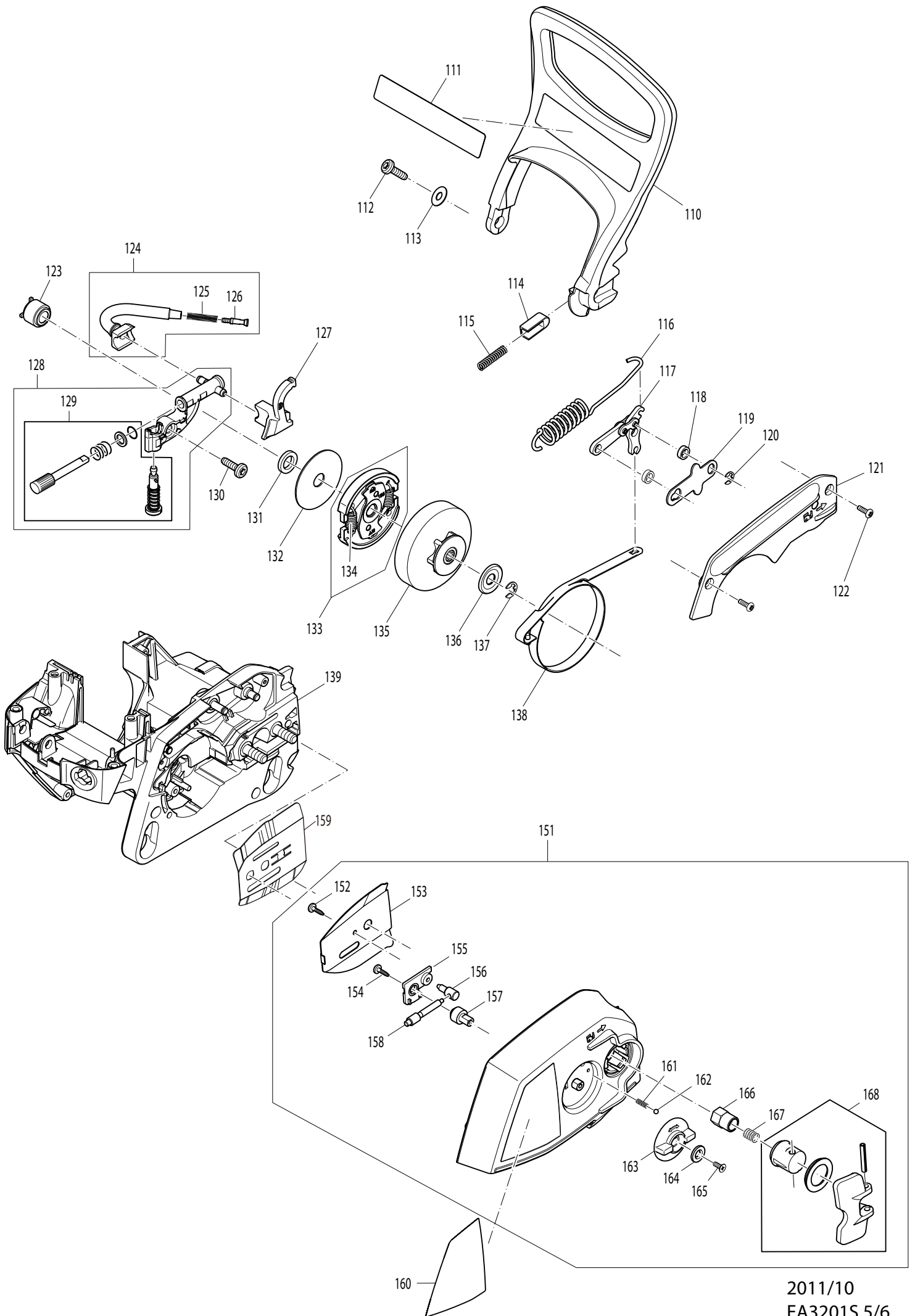
A01-1	165201-8	GUIDE BAR 14'	1	PC.	O	97722
A02	419559-0	CHAIN PROTECTION COVER 330	1	PC.		
A03	196443-3	SAW CHAIN SET	1	PC.		
A04	782026-1	UNIVERSAL WRENCH 13/16	1	PC.		
A05	783012-5	SCREWDRIVER	1	PC.		











41

