



Model HW 111

07/12/2010



230 V - 50 Hz

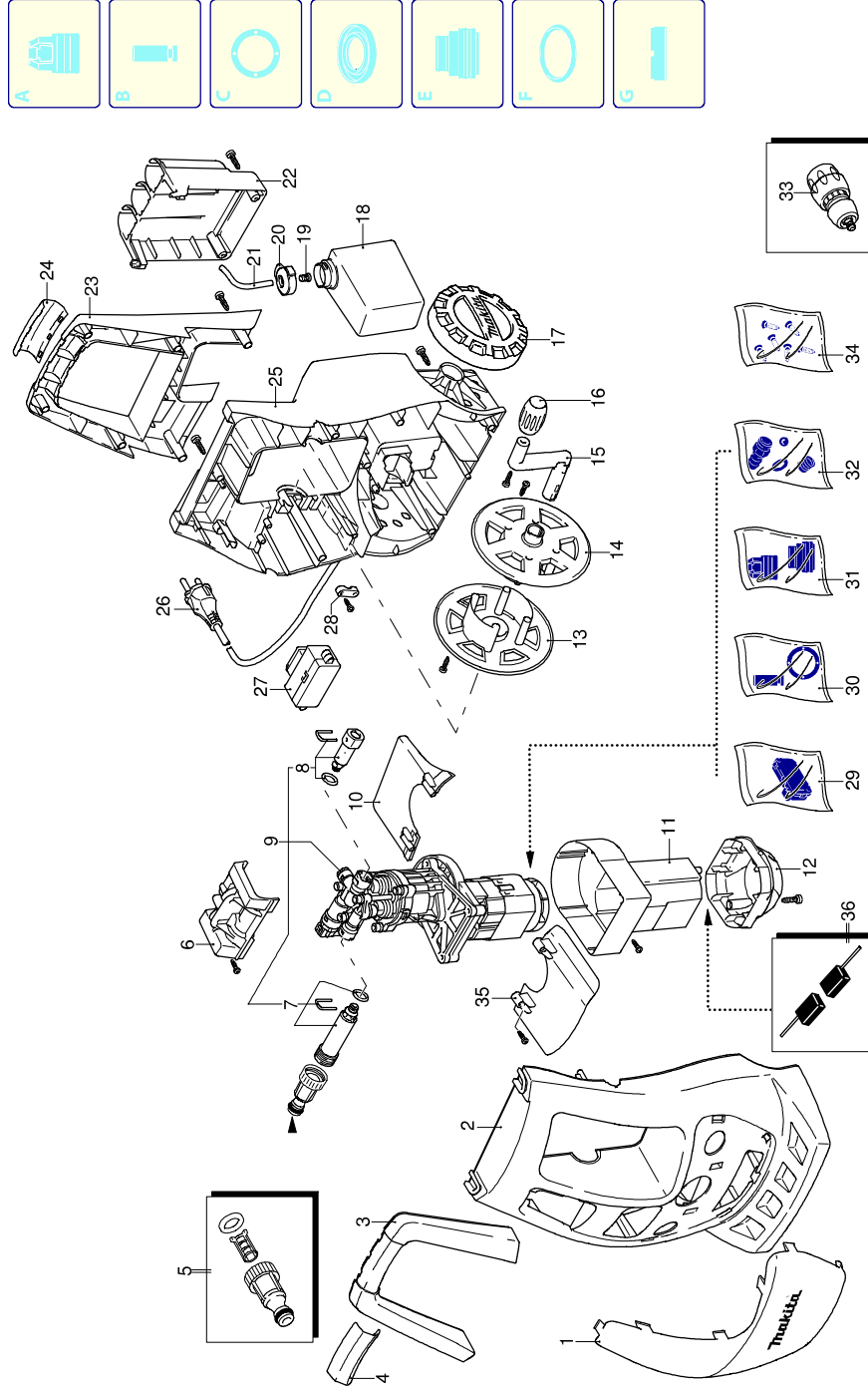


schuko

Version:

Serial number:

Code: 13043



Validity	Pos.	Code	Description	Q
	1	3640240	Green guard	1
	2	3640200	Casing	1
	3	3640220	Handle	1
	4	3640340	Knob	1
	5	3082130	Water coupling kit	1
	6	3640290	Support	1
	7	3640580	Suction kit	1
	8	3640730	Delivery kit	1
	9	3640700	Electric pump assembly	1
	10	3640330	Support	1
	11	3640310	Conveyor	1
	12	3320910	Cover	1
	13	3640250	Plate	1
	14	3640260	Plate	1
	15	3640270	Lever	1
	16	3640280	Knob	1
	17	3640760	Wheel	1
	18	3640380	Tank	2
	19	3440720	Filter	1
	20	3640390	Plug	1
	21	3640680	Pipe	1
	22	3640370	Accessories carrier	1
	23	3640230	Handle	1
	24	3640980	Knob	1
	25	3640210	Base	1
	26	3320620	Cable	1
	27	3640750	Switch	1
	28	3320200	Cable gland	1
	29	3640720	TSS kit	1
	30	3640710	Piston + seals kit	1
	31	3640550	Water seal kit	1
	32	3640740	Detergent suction kit	1
	33	3082661	Fitting	1
	34	3640690	Screw kit	1
	35	3640331	Support	1
	36	3641000	Brush kit for motor	1



07/12/2010

Model HW 111

Version:

Serial number:

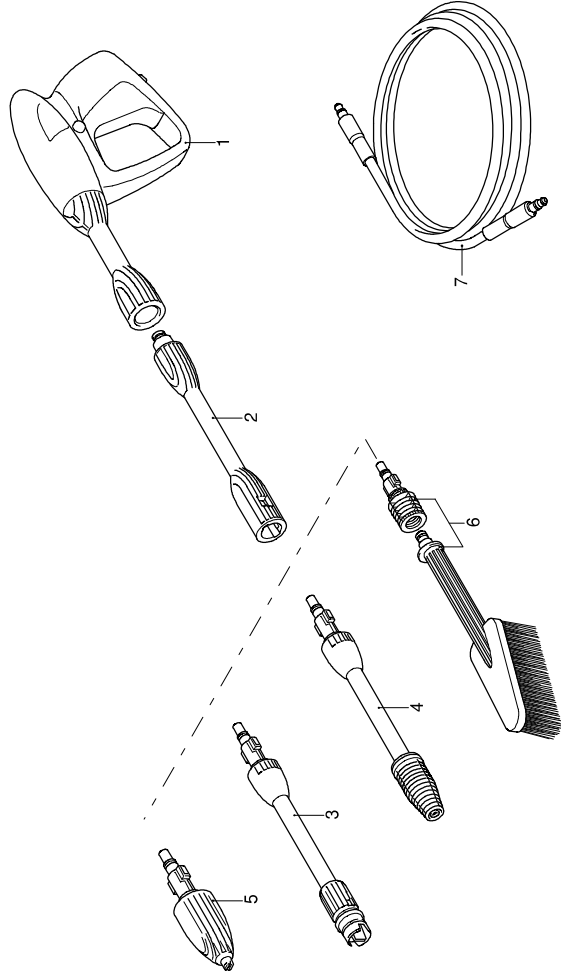
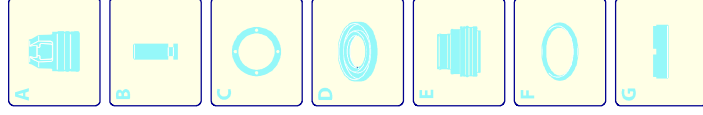
Code: **13043**



230 V - 50 Hz



schuko



Validity	Pos.	Code	Description	Q
	1	3320152	Gun	1
	2	3320130	Extension	1
	3	3640650	Lance-lance head	1
	4	3320120	Lance-rotopower	1
	5	3640670	Lance head	1
	6	3640950	Fixed brush	1
	7	3640660	High pressure hose	1