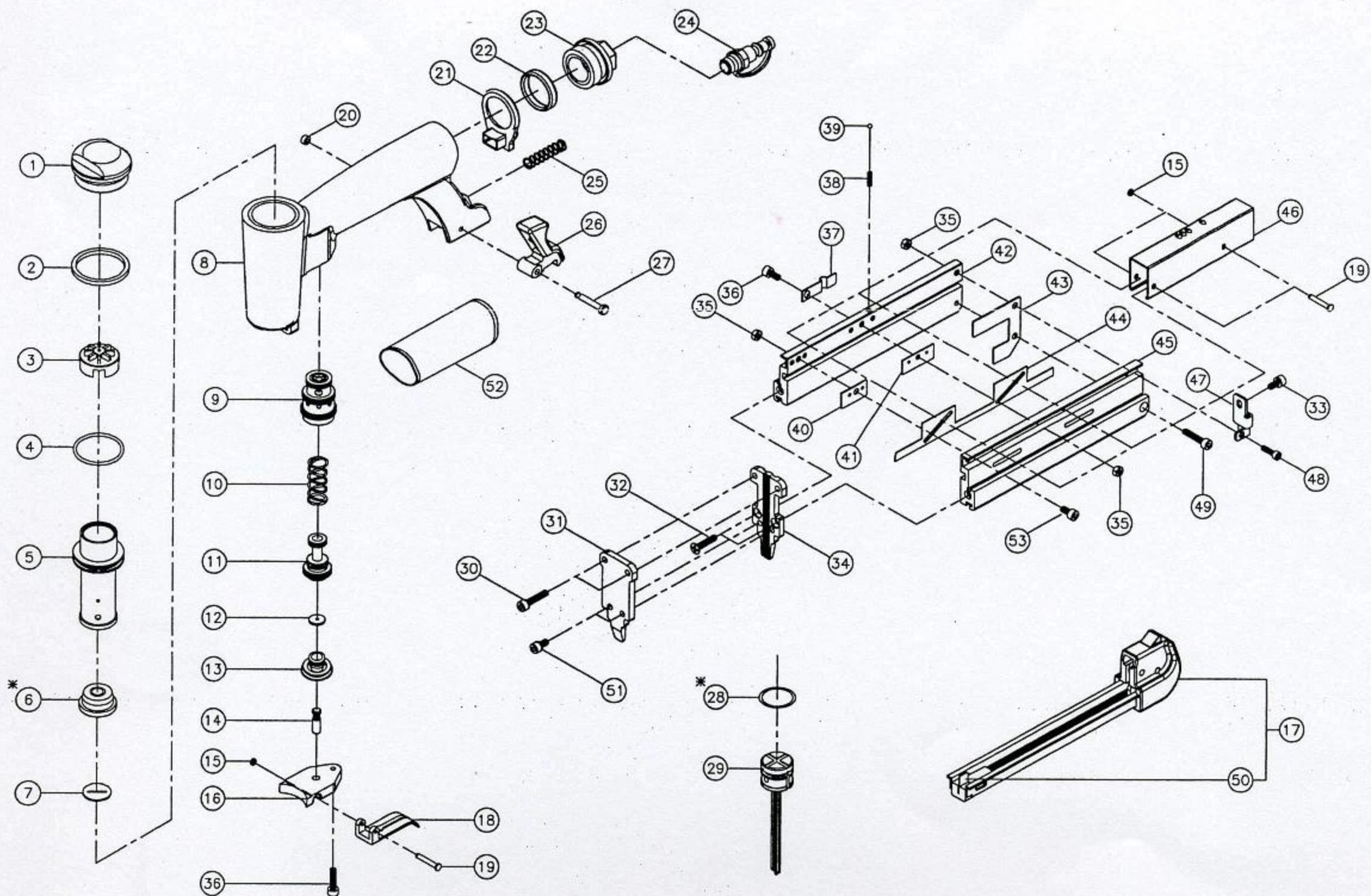


# Parts List For Air Pinner AF201Z



ITEM NO.	PART NO.	DESCRIPTION	QTY	ITEM NO.	PART NO.	DESCRIPTION	QTY
1	A0301-0521	CYLINDER CAP	1	28	A0200-1341	O-RING 17*2.6	1
2	A0311-0211	SEAL, AIR	1	29	K0600-1741	PISTON SET	1
3	A0305-0051	COLLAR	1	30	B0000-0021	SCREW SET M4*16	2
4	A0200-1021	O-RING 31.42*2.62	1	31	B0800-0181	DRIVER GUIDE COVER SET	1
5	A0303-0281	CYLINDER	1	32	A0001-0001	SCREW M4*18	2
6	A0309-0251	BUMPER	1	33	B0000-0111	SCREW SET M4*12	1
7	A0310-0301	NOZZLE WASHER	1	34	A0801-1891	DRIVER GUIDE	1
8	A0401-0961	BODY	1	35	A0004-0051	HEX. NUT M4	3
9	K0500-0411	TRIGGER VALVE SITE SET	1	36	A0000-0011	SCREW M4*8	2
10	A0100-0831	SPRING	1	37	A0105-0031	STOPPER BLADE	1
11	K0500-0421	TRIGGER VALVE PISTON SET	1	38	A0100-0551	COMPRESSION SPRING	1
12	A0505-0051	AIR SEAL (3)	1	39	A0009-0021	STEEL BALL	1
13	K0500-0431	TRIGGER VALVE HEAD SET	1	40	A0716-0281	GAP (A)	1
14	K0500-0441	TRIGGER VALVE STEM SET	1	41	A0716-0291	GAP (B)	1
15	A0005-0311	IN RETAINER '5.5*2	3	42	A0700-1051	UPPER MAG. (A)	1
16	A0503-0261	TRIGGER VALVE GUIDE	1	43	A0716-0271	GAP (C)	1
17	K0700-2851	MAGAZINE SET	1	44	A0714-0111	ADJUSTABLE PLATE	1
18	A0500-0251	TRIGGER	1	45	A0700-1061	UPPER MAG. (B)	1
19	A0006-0351	PIN '2.9*22.4	3	46	A0714-0121	ADJUSTABLE COVER	1
20	A0005-0291	PIN RETAINER '6*2.9	1	47	A0706-0851	MAGAZINE SUPPORT	1
21	A0304-0291	EXHAUST COVER	1	48	A0000-0211	SCREW M4*10	1
22	A0201-0161	AIR SEAL (4)	1	49	A0000-0041	SCREW M4*20	1
23	A0306-0252	TAIL COVER	1	50	A0707-0713	PUSHER	1
24	K0300-2641	AIR PLUG SET	1	51	B0000-0011	SCREW SET M4*8	1
25	A0100-0841	COMPRESSION SPRING	1	52	A0204-0081	HANDLE GRIP	1
26	A0709-0301	CLICK LEVER	1	53	A0000-0591	BHSC SCREW M4*8	1
27	A0006-0411	PIN	1				

\* REPAIR KIT

04/19/2007/B