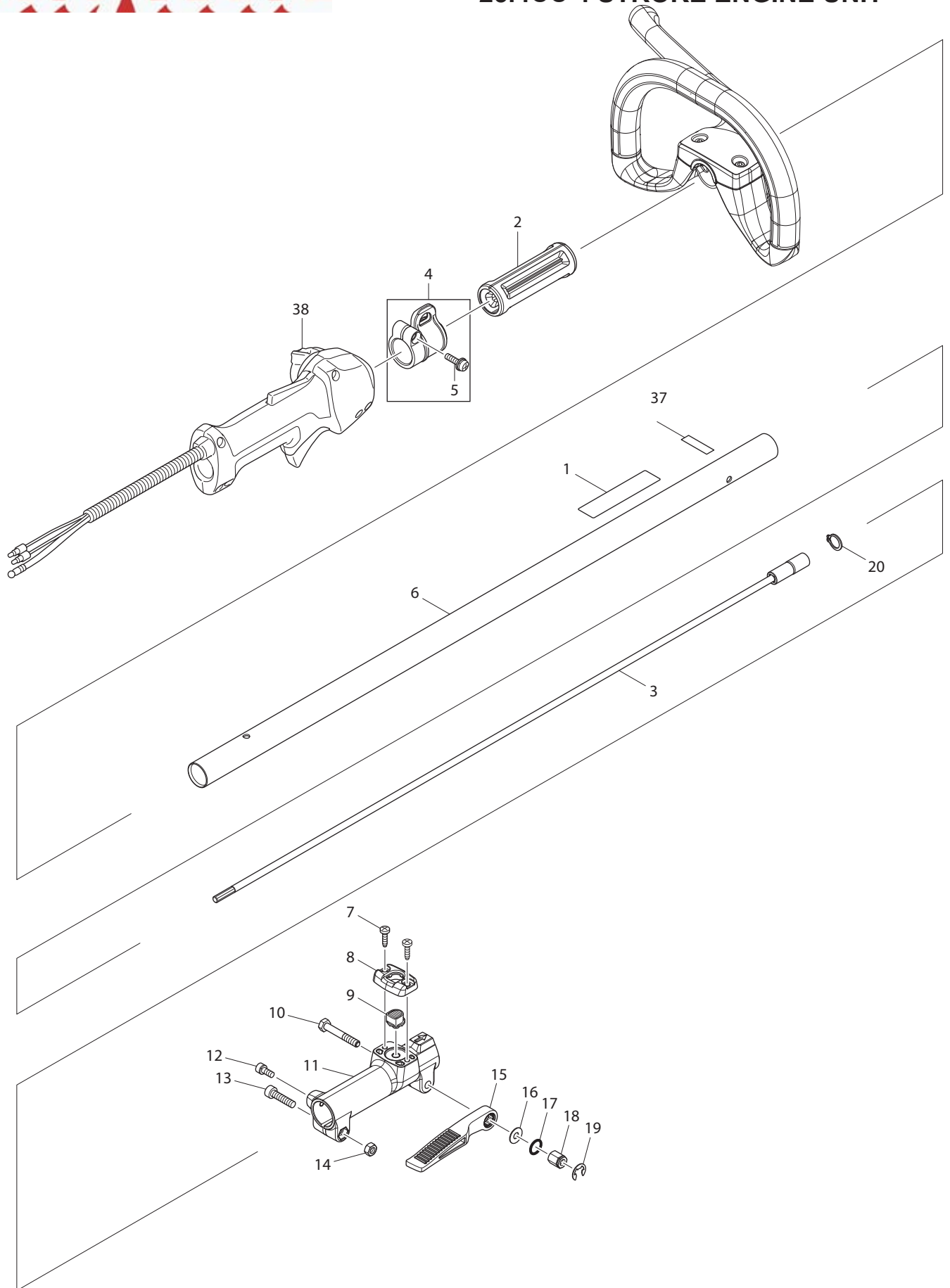
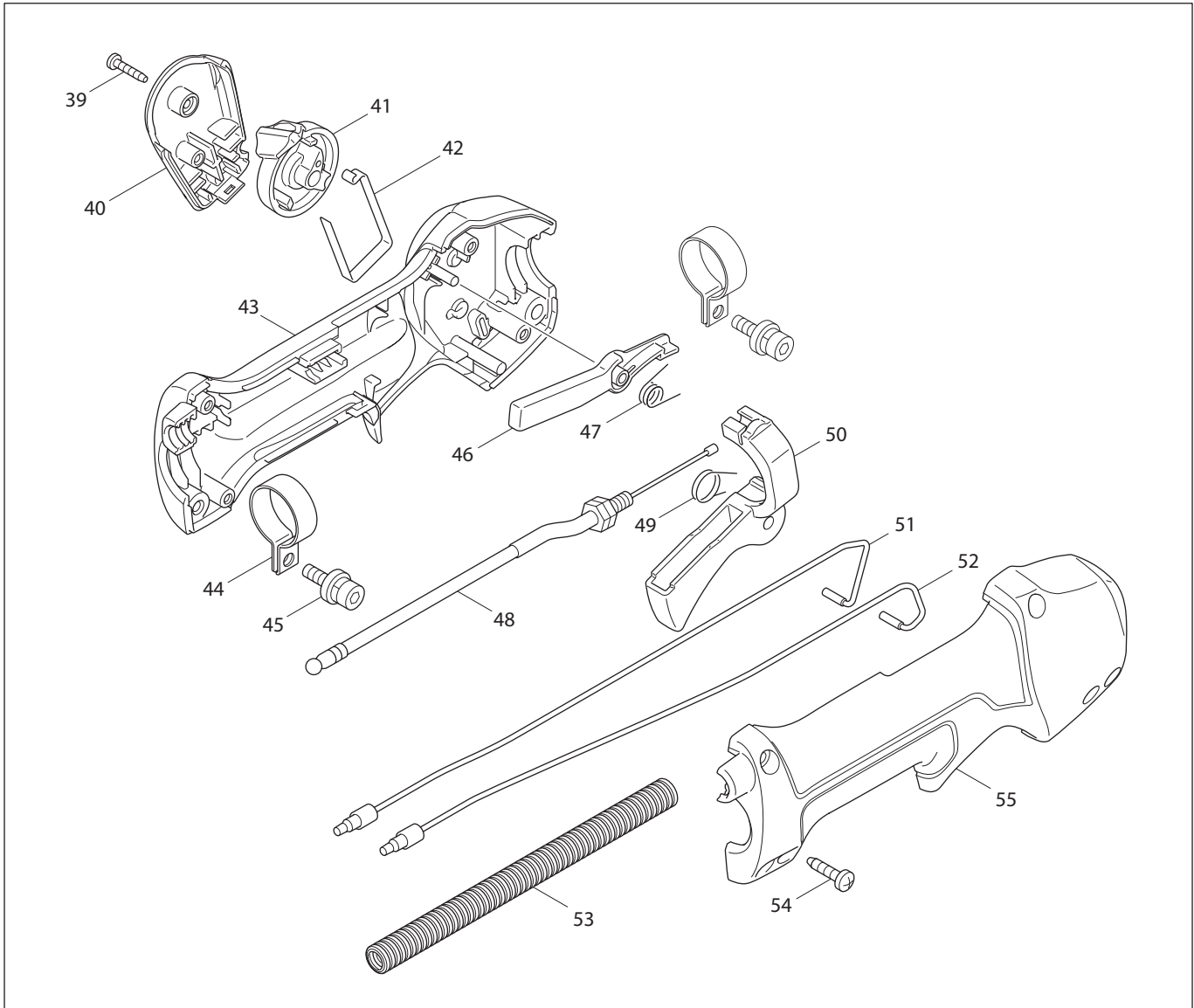


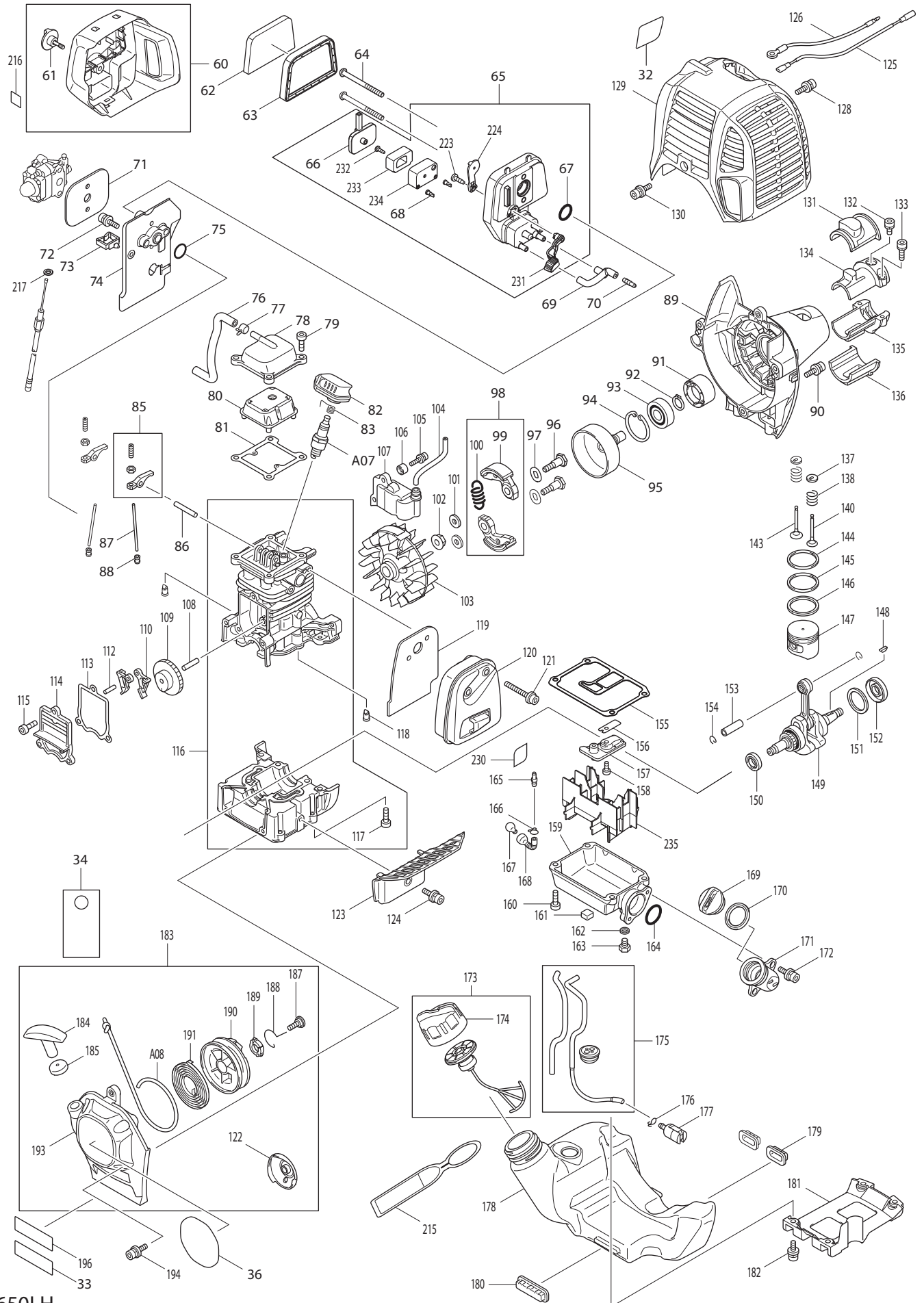


03 - 2012
EX2650LH
25.4CC 4 STROKE ENGINE UNIT

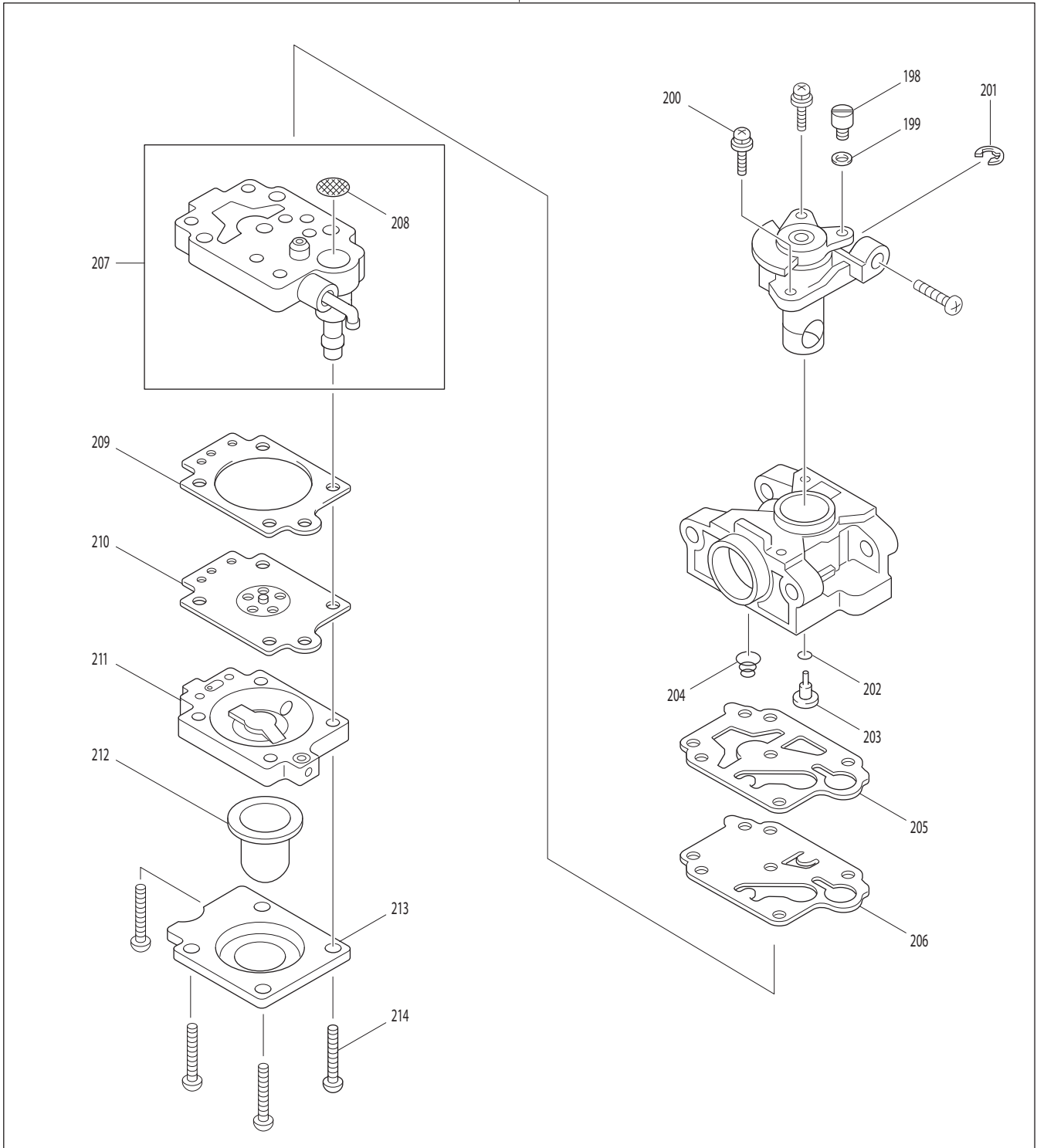




38



3 EX2650LH



Item No.	Type	Sub	Part No.	Description	Qty	Unit
1			893761-7	CAUTION LABEL	1	PC.
2			451601-1	SPACER 24	1	PC.
3			141238-9	SHAFT B COMPLETE	1	PC.
4			195143-2	HANGER SET	1	PC.
		INC.		Item No. 5		
5			911233-1	PAN HEAD SCREW M5X20	1	PC.
6			141008-6	SHAFT PIPE B COMPLETE	1	PC.
7			266034-5	TAPPING SCREW CT 4X16	2	PC.
8			452840-6	RELEASE BUTTON COVER	1	PC.
9			452839-1	RELEASE BUTTON	1	PC.
10			265596-0	HEX.BOLT M6X40	1	PC.
11			318750-6	JOINT 24	1	PC.
12			922211-6	HEX. SOCKET HEAD BOLT M5X12	1	PC.
13			922342-1	HEX. SOCKET HEAD BOLT M6X25	1	PC.
14			931302-2	HEX. NUT M6	1	PC.
15			272268-0	LEVER 94	1	PC.
16			253332-6	THIN WASHER 6	1	PC.
17			213105-9	O RING 11	1	PC.
18			252159-1	HEX. NUT M6	1	PC.
19			961014-3	STOP RING E-8	1	PC.
20			961052-5	RETAINING RING S-12	1	PC.
32			816566-8	ENGINE LABEL, ENG	1	PC.
33			816567-6	SERIAL NO. LABEL	1	PC.
34			819432-8	CAUTION TAG	1	PC.
36			893751-0	EX2650LH MODEL NO. LABEL	1	PC.
37	1		819760-1	DATE CODE LABEL	1	PC.
	2		814A82-0	DATE CODE LABEL	1	PC.
	3		814E64-6	SERIAL NO. LABEL	1	PC.
38			125776-9	CONTROL LEVER ASSEMBLY	1	PC.
		INC.		Item No. 39-54		
39			266130-9	TAPPING SCREW BIND PT 3X16	1	PC.
40			451595-0	SWITCH COVER	1	PC.
41			451594-2	SWITCH LEVER	1	PC.
42			232251-9	LEAF SPRING	1	PC.
43			188832-6	LEVER CASE SET	1	PC.
44			346248-3	CLAMP 24	2	PC.
45			922218-2	H.S.H.BOLT M5X14 WITH WR	2	PC.
46			451593-4	LOCK LEVER	1	PC.
47			233541-3	TORSION SPRING 7	1	PC.
48			168571-4	CONTROL CABLE	1	PC.
49			233540-5	TORSION SPRING 11	1	PC.
50			451592-6	THROTTLE LEVER	1	PC.
51			638714-7	LEAD UNIT	1	PC.
52			638713-9	LEAD UNIT	1	PC.
53			452071-7	CORRUGATE TUBE	1	PC.
54			266326-2	TAPPING SCREW 4X18	4	PC.
60			126202-1	CLEANER COVER ASSEMBLY	1	PC.
		INC.		Item No. 61		
61			265791-2	THUMB SCREW M4	1	PC.
62			443171-4	AIR CLEANER ELEMENT	1	PC.
63			443169-1	AIR CLEANER ELEMENT	1	PC.
64			266618-9	H.S.BUTTON HEAD BOLT M5X60	2	PC.
65			126198-6	CLEANER PLATE ASSEMBLY	1	PC.
		INC.		Item No. 66-68,223,224,231-234		
66			162346-3	SEPARATOR PLATE	1	PC.
67			213540-1	O RING 15	1	PC.
68			424316-3	CHECK VALVE	2	PC.
69			422099-9	PIPE	1	PC.

Item No.	Type	Sub	Part No.	Description	Qty	Unit
70			325665-0	JOINT PIPE	1	PC.
71			442153-3	CARBURETOR GASKET	1	PC.
72			266787-6	H.S.H.BOLT M5X18 WITH WR	2	PC.
73			451825-9	CLAMP	1	PC.
74			451729-5	INSULATOR	1	PC.
75			213547-7	O-RING 12	1	PC.
76			422109-2	BREATHER PIPE	1	PC.
77			345918-1	HOSE CLAMP	1	PC.
78			318745-9	ROCKER COVER OUTER	1	PC.
79			922222-1	HEX. SOCKET HEAD BOLT M5X16	4	PC.
80			453860-3	ROCKER COVER INNER	1	PC.
81			162304-9	ROCKER COVER GASKET	1	PC.
82			424302-4	PLUG CAP	1	PC.
83			324891-8	PLUG CAP SPRING	1	PC.
85			125554-7	ROCKER ARM ASSEMBLY	2	PC.
86			256200-2	PIN 5	1	PC.
87			256865-0	ROD 2.5	2	PC.
88			325668-4	SPRING RETAINER	2	PC.
89			451735-0	CLUTCH CASE	1	PC.
90			922228-9	H.S.H.BOLT M5X18 WITH WR	3	PC.
91			450569-8	SPACER	1	PC.
92			961052-5	RETAINING RING S-12	1	PC.
93			210111-5	BALL BEARING 6201LLU	1	PC.
94			962151-6	RETAINING RING R-32	1	PC.
95			165704-2	CLUTCH DRUM	1	PC.
96			266457-7	SHOULDER HEX. BOLT M6X25	2	PC.
97			267817-6	WASHER 8	2	PC.
98			126135-0	CLUTCH ASSEMBLY	1	PC.
		INC.		Item No. 99,100		
99			168498-8	CLUTCH SHOE	2	PC.
100			231881-3	TENSION SPRING 7	1	PC.
101			267812-6	WASHER 6	2	PC.
102			264039-9	FRANGE NUT	1	PC.
103			318569-3	FLYWHEEL	1	PC.
104			444021-6	TUBE	1	PC.
105			266602-4	HEX. SOCKET HEAD BOLT M4X20	2	PC.
106			452049-0	SPACER	2	PC.
107			168559-4	IGNITION COIL	1	PC.
108			268238-5	PIN 5	1	PC.
109			125552-1	CAM GEAR ASSEMBLY	1	PC.
110			313169-4	CAM LIFTER	2	PC.
112			268239-3	PIN 4	1	PC.
113			162274-2	CAM GEAR COVER GASKET	1	PC.
114			318443-5	CAM GEAR COVER	1	PC.
115			922222-1	HEX. SOCKET HEAD BOLT M5X16	3	PC.
116			135478-9	CYLINDER BLOCK ASSEMBLY	1	PC.
		INC.	325665-0	JOINT PIPE	1	PC.
		INC.	922222-1	HEX SOCKET HEAD BOLT M5X16	1	PC.
		INC.		Item No. 117		
117			922222-1	HEX. SOCKET HEAD BOLT M5X16	6	PC.
118			424201-0	CHECK VALVE	2	PC.
119			346331-6	MUFFLER GASKET	1	PC.
120			168554-4	EXHAUST MUFFLER	1	PC.
121			266440-4	HEX SOCKET HEAD BOLT M5X40	2	PC.
122			168483-1	PULLEY	1	PC.
123			451731-8	MUFFLER PLATE	1	PC.
124			922218-2	H.S.H.BOLT M5X14 WITH WR	1	PC.
125			638707-4	LEAD UNIT	1	PC.

Item No.	Type	Sub	Part No.	Description	Qty	Unit
126			638708-2	LEAD UNIT	1	PC.
128			922218-2	H.S.H.BOLT M5X14 WITH WR	1	PC.
129			453266-5	CYLINDER COVER	1	PC.
130			922218-2	H.S.H.BOLT M5X14 WITH WR	1	PC.
131			424082-2	BUFFER RUBBER	1	PC.
132			922211-6	HEX. SOCKET HEAD BOLT M5X12	1	PC.
133			922226-3	HEX. SOCKET HEAD BOLT M5X18	2	PC.
134			318249-1	PIPE HOLDER	1	PC.
135			318250-6	PIPE HOLDER	1	PC.
136			424083-0	BUFFER RUBBER	1	PC.
137			424200-2	SPACER	2	PC.
138			234108-0	COMPRESSION SPRING 9	2	PC.
140			325669-2	EXHAUST VALVE	1	PC.
143			325670-7	INTAKE VALVE	1	PC.
144	1		257298-2	PISTON RING (TOP) 34	1	PC.
	2		195145-8	PISTON RING SET	1	SET
		INC.		Item No. 144, 145	1	SET
145			257299-0	PISTON RING (SECOND) 34 (Old, USE 195145-8)	1	PC.
146			257300-1	PISTON RING (SECOND) 34 (Old, USE 195145-8)	1	PC.
147			318441-9	PISTON	1	PC.
148			254040-2	WOODRUFF KEY 3	1	PC.
149			135481-0	CRANK SHAFT ASS'Y	1	PC.
149			126204-7	CRANK SHAFT ASS'Y	1	PC.
		INC.		Item No. 150-152		
150			213148-1	OIL SEAL 10	1	PC.
151			267400-9	FLAT WASHER 23	1	PC.
152			213147-3	OIL SEAL 12	1	PC.
153			257781-9	PISTON PIN	1	PC.
154			233976-8	CLIP	2	PC.
155			162345-5	OIL CASE GASKET	1	PC.
156			346083-9	LEAD VALVE	1	PC.
157			318910-0	RETAINER PLATE	1	PC.
158			922112-8	HEX. SOCKET HEAD BOLT M4X10	1	PC.
159			318588-9	OIL CASE	1	PC.
160			922222-1	HEX. SOCKET HEAD BOLT M5X16	4	PC.
161			424344-8	DAMPER	1	PC.
162			346305-7	GASKET	1	PC.
163			266611-3	HEX BOLT M6X8	1	PC.
164			213548-5	O-RING 20	1	PC.
165			325665-0	JOINT PIPE	1	PC.
166			282020-8	HOSE CLAMP	1	PC.
167			325666-8	OIL WEIGHT	1	PC.
168			424301-6	OIL TUBE	1	PC.
169			452047-4	OIL CAP	1	PC.
170			424343-0	GASKET	1	PC.
171			452048-2	OIL PIPE	1	PC.
172			922218-2	H.S.H.BOLT M5X14 WITH WR	2	PC.
173			125728-0	FUEL TANK CAP ASSEMBLY	1	PC.
		INC.		Item No. 174		
174			451739-2	FUEL TANK CAP	1	PC.
175			168775-8	TUBE COMPLETE	1	PC.
176			282020-8	HOSE CLAMP	1	PC.
177			163518-3	GASOLIN FILTER	1	PC.
178			454010-3	FUEL TANK	1	PC.
179			424080-6	BUFFER RUBBER	2	PC.
180			424081-4	BUFFER RUBBER	1	PC.
181			451737-6	TANK GUARD	1	PC.
182			922218-2	H.S.H.BOLT M5X14 WITH WR	4	PC.

Item No.	Type	Sub	Part No.	Description	Qty	Unit
183			195308-6	RECOIL STARTER SET	1	PC.
		INC.		Item No. 122,184,185,187-193		
184			424319-7	STARTER KNOB	1	PC.
185			424359-5	DAMPER	1	PC.
187			266585-8	TAPPING SCREW 5X12	1	PC.
188			325923-4	SWING ARM	1	PC.
189			451938-6	COLLAR	1	PC.
190			451937-8	REEL	1	PC.
191			232258-5	SPIRAL SPRING	1	PC.
193			451733-4	STARTER CASE	1	PC.
194			922223-9	H.S.H.BOLT M5X16 WITH WR	4	PC.
196			816565-0	MAKITA LOGO LABEL	1	PC.
197			168762-7	CARBURETOR	1	PC.
		INC.		Item No. 198-207,209-214		
198			325922-6	SWIVEL	1	PC.
199			413140-9	WASHER	1	PC.
200			266581-6	PAN HEAD SCREW M3X8 WITH W	2	PC.
201			257964-1	STOP RING E-3	1	PC.
202			213538-8	O RING 2	1	PC.
203			325985-2	JET	1	PC.
204			234183-6	CONICAL COMPRESSION SPRING 5-9	1	PC.
205			442155-9	PUMP GASKET	1	PC.
206			168575-6	PUMP DIAPHRAGM	1	PC.
207			141737-1	PUMP BODY	1	PC.
		INC.		Item No. 208		
208			352010-6	INLET SCREEN	1	PC.
209			442154-1	METERING DIAPHRAGM GASKET	1	PC.
210			168620-7	METERING DIAPHRAGM	1	PC.
211			140438-8	AIR PURGE BODY	1	PC.
212			424314-7	PRIMER PUMP	1	PC.
213			346270-0	PRIMER PUMP COVER	1	PC.
214			266582-4	TAPPING SCREW 3X24	4	PC.
215			810455-9	CAUTION PLATE	1	PC.
216			800F73-7	INDICATION LABEL	1	PC.
217			941152-7	FLAT WASHER 6	1	PC.
223			266427-6	TAPPING SCREW 4X12	1	PC.
224			452219-1	CHOKE PLATE	1	PC.
231			452220-6	CHOKE LEVER	1	PC.
232			266007-8	TAPPING SCREW BIND PT 3X10	1	PC.
233			352020-3	SEPARATOR MESH	1	PC.
234			453865-3	SEPARATOR CASE	1	PC.
235			453862-9	OIL CASE PLATE	1	PC.
C01			872308-0	CARTON	1	
ACCESSORIES				- See catalogue or visit www.makita.ca for more optional accessories -		
A01			125516-5	BAND ASSEMBLY	1	PC.
A02			195500-4	OIL SET (4 STROKE ENGINE OIL 80CC) - N/A as repair part	1	PC.
A03			195515-1	LOOP HANDLE SET	1	PC.
		INC.	346467-1	CLAMP 24	1	PC.
		INC.	346468-9	CLAMP 33	1	PC.
		INC.	452842-2	CLAMP COVER A	1	PC.
		INC.	922244-1	H.S.H.BOLT M5X25 WITH WG	2	PC.
A04			783013-3	BOX DRIVER 16-17	1	PC.
A05			783202-0	HEX. WRENCH 4	1	PC.
A06			831304-7	ACCESSORY BAG	1	PC.
A07			168534-0	SPARK PLUG (CMR4A)	1	PC.
A08			444023-2	STARTER ROPE 2.8DIA.X0.95M	1	PC.

Item No.	Type	Sub	Part No.	Description	Qty	Unit
A09			EM400MP	STRAIGHT SHAFT LINE TRIMMER ATTACHMENT (See Partsbreakdown EM400MP)	1	PC.
A10			ER400MP	CURVED SHAFT LINE TRIMMER ATTACHMENT (See Partsbreakdown ER400MP)	1	PC.
A11			EN400MP	HEDGE TRIMMER ATTACHMENT (See Partsbreakdown EN400MP)	1	PC.
A12			EY401MP	CHAIN SAW ATTACHMENT (See Partsbreakdown EY401MP)	1	PC.
A13			KR400MP	CULTIVATE ATTACHMENT (See Partsbreakdown KR400MP)	1	PC.
A14			LE400MP	SHAFT EXTENTION ATTACHMENT (See Partsbreakdown LE400MP)	1	PC.
A15			195638-5	CARRYING BAG (ENGINE UNIT AND ATTACHMENT)	1	PC.